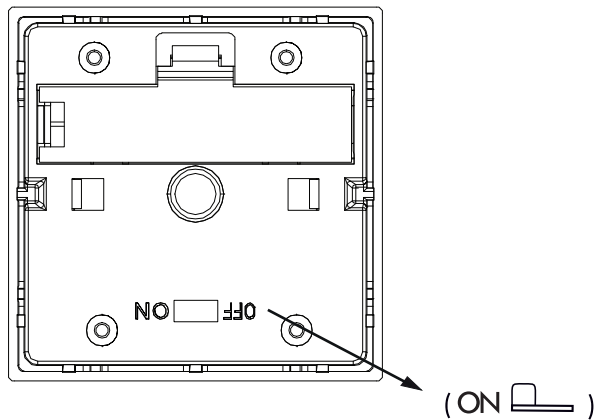


# Art.no 481-41

## FIRST USE

STEP 1.




STEP 2.



( ON  )

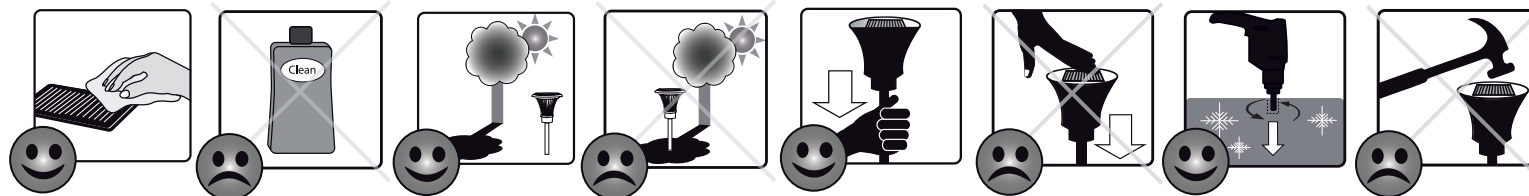
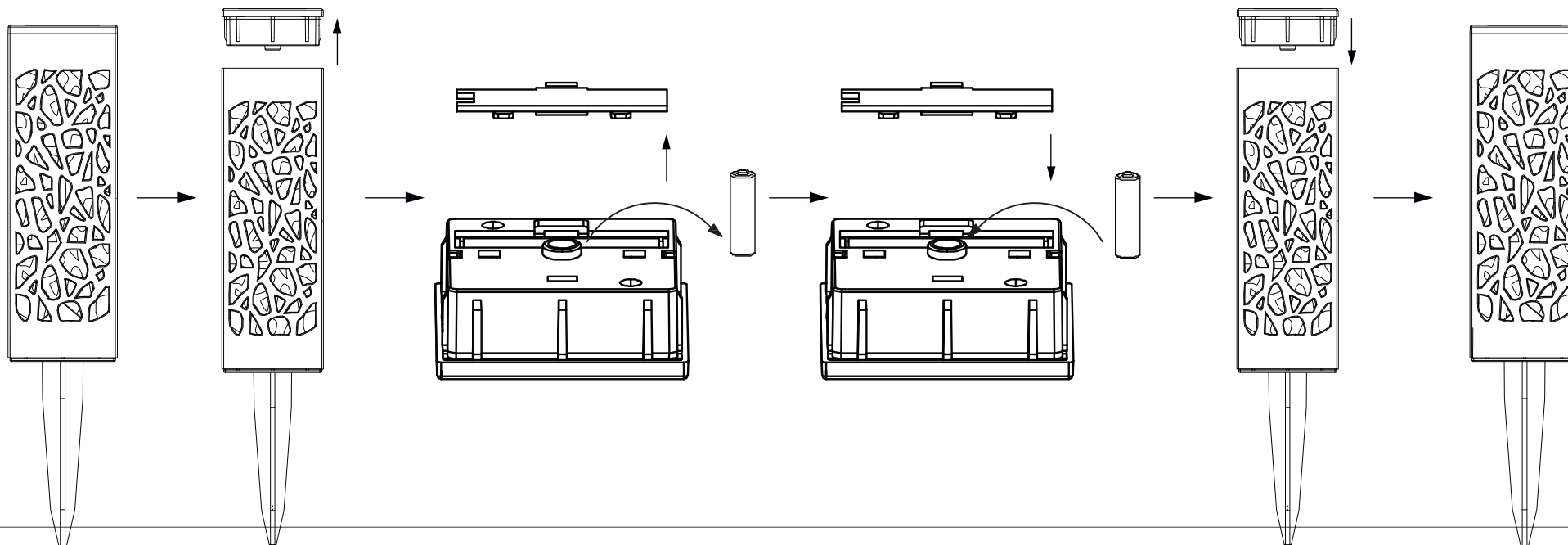


( OFF  )



Ready after  
36 h in the sun

## BATTERY REPLACEMENT



**STAR**<sup>®</sup>  
TRADING  
STAR STREET 1  
512 50 SVENLJUNGA  
SWEDEN  
[www.startrading.com](http://www.startrading.com)