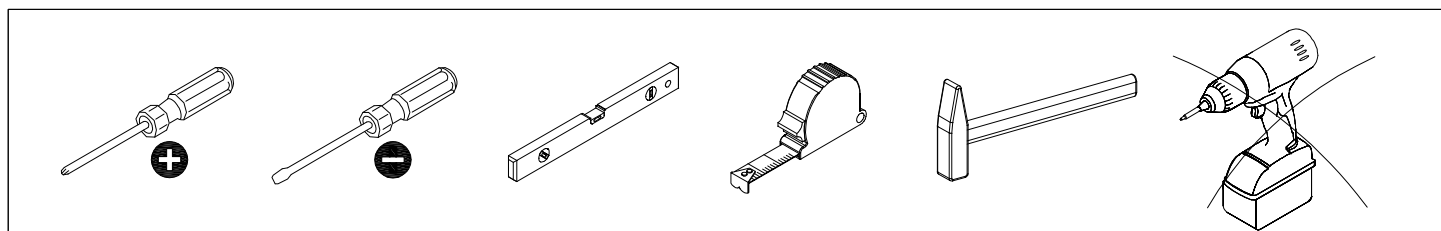
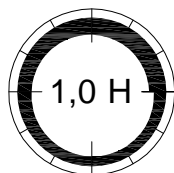
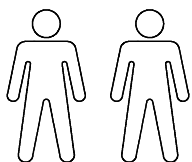
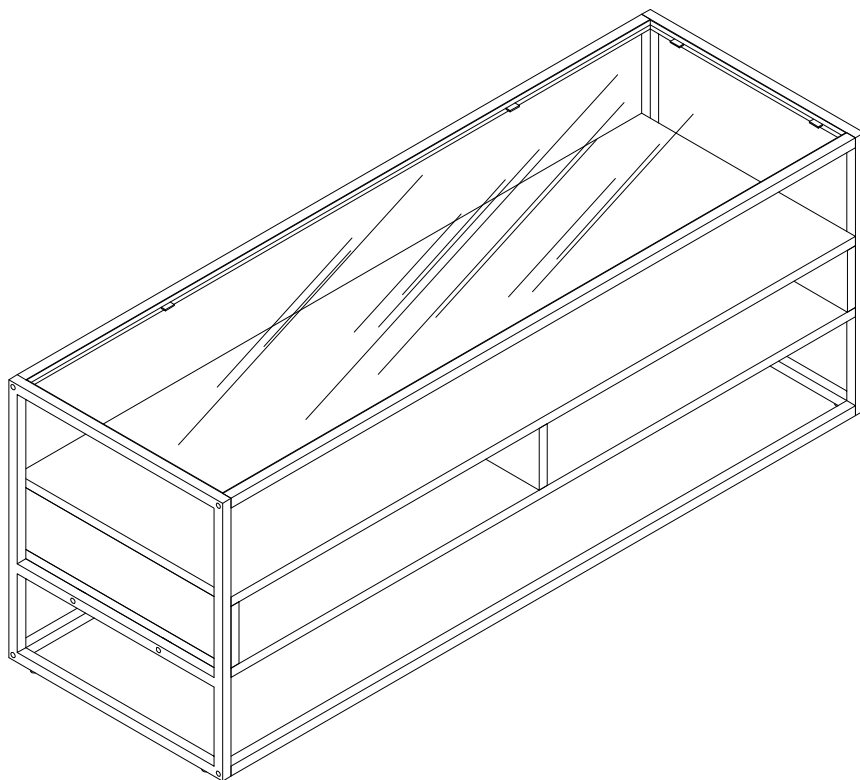
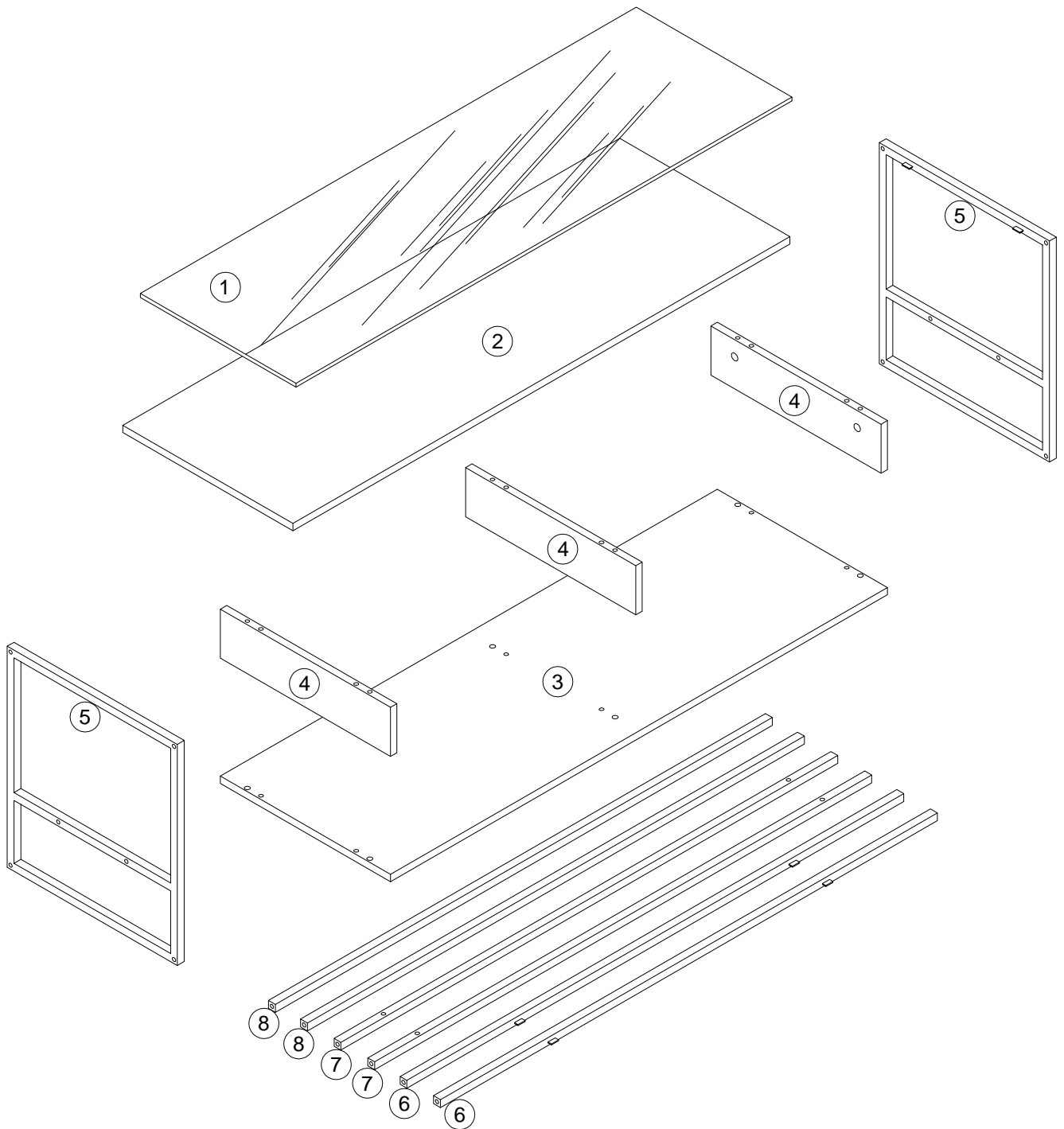


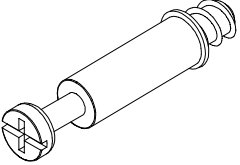
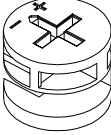
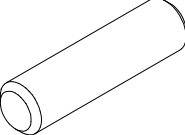
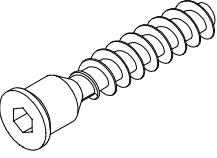
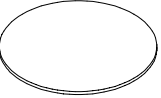
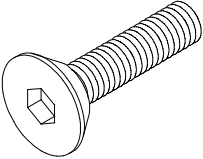
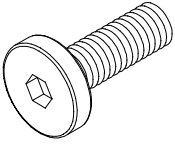
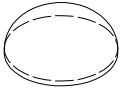
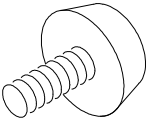
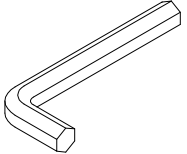
# RANDOLF



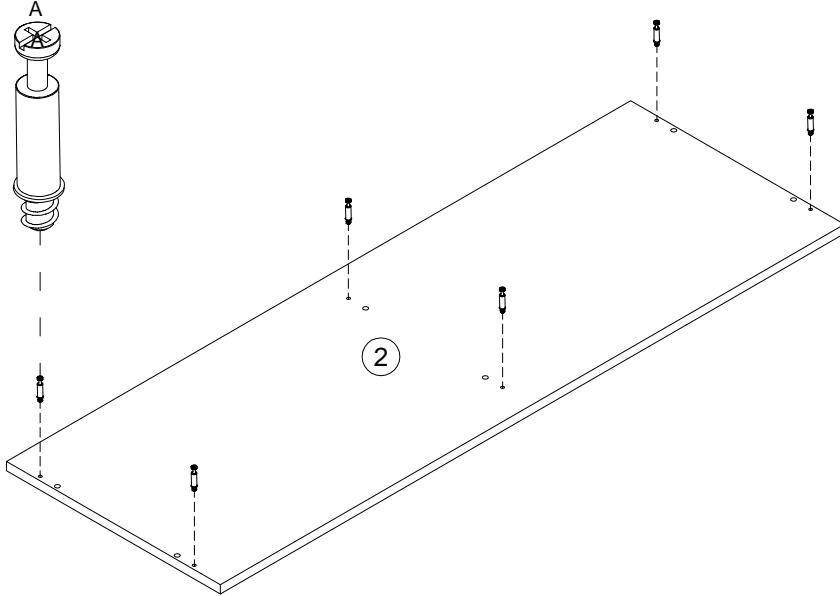
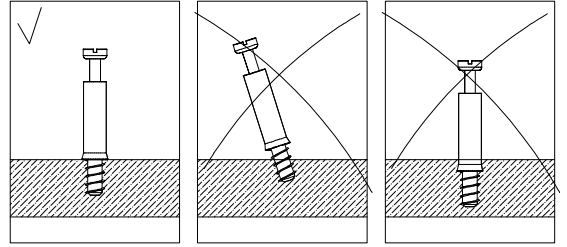
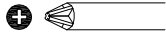
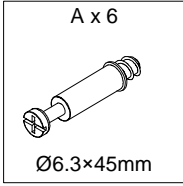
|   |   |             |   |
|---|---|-------------|---|
|   |   |             | ✓ |
| ① | 1 | 1166X366X8  |   |
| ② | 1 | 1168X400X15 |   |
| ③ | 1 | 1168X400X15 |   |
| ④ | 3 | 400X100X15  |   |

|   |   |               |   |
|---|---|---------------|---|
|   |   |               | ✓ |
| ⑤ | 2 | 450X400X26/16 |   |
| ⑥ | 2 | 1168X26X16    |   |
| ⑦ | 2 | 1168X16X16    |   |
| ⑧ | 2 | 1168X16X16    |   |

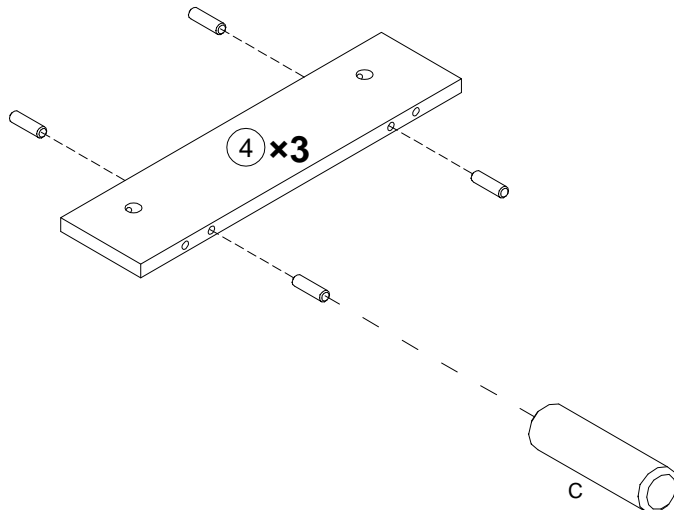
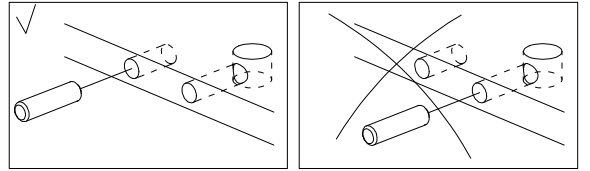
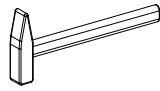
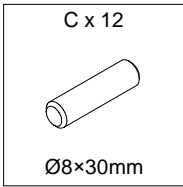


|  |  |  |  |   |
|--|--|--|--|---|
| <p>A x 6</p>  <p>Ø6.3×45mm</p> | <p>B x 6</p>  <p>Ø15×12mm</p> | <p>C x 12</p>  <p>Ø8×30mm</p> | <p>D x 6</p>  <p>Ø7×38mm</p>   | <p>E x 6</p>  <p>Ø20mm</p> |
| <p>F x 12</p>  <p>M6×30mm</p> | <p>G x 6</p>  <p>M6×25mm</p>  | <p>H x 8</p>  <p>Ø10mm</p>    | <p>J x 4</p>  <p>M6/Ø13mm</p> | <p>K x 1</p>  <p>4mm</p>   |

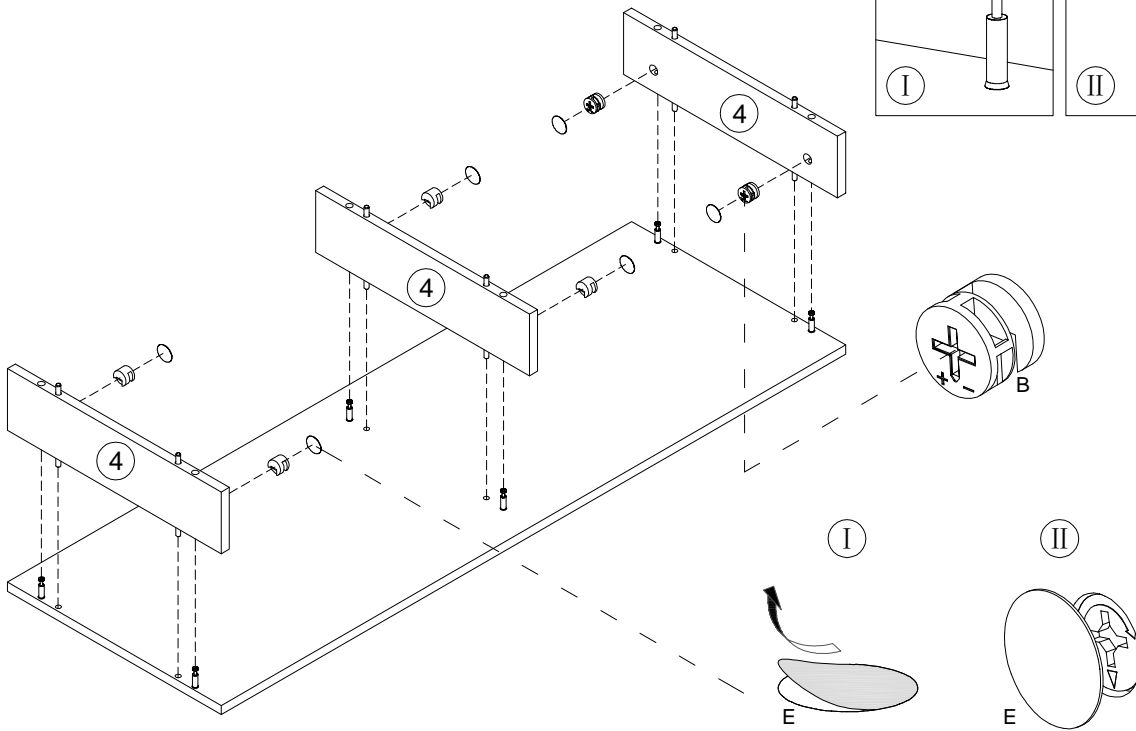
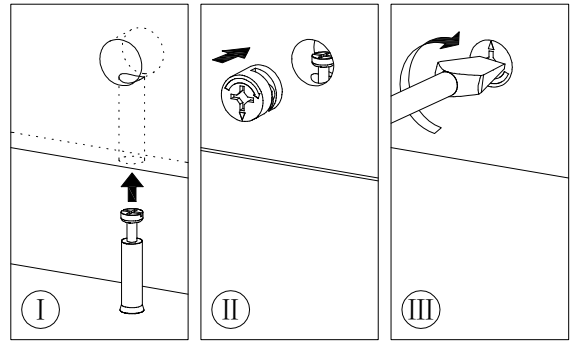
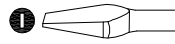
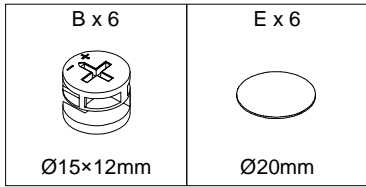
# 1



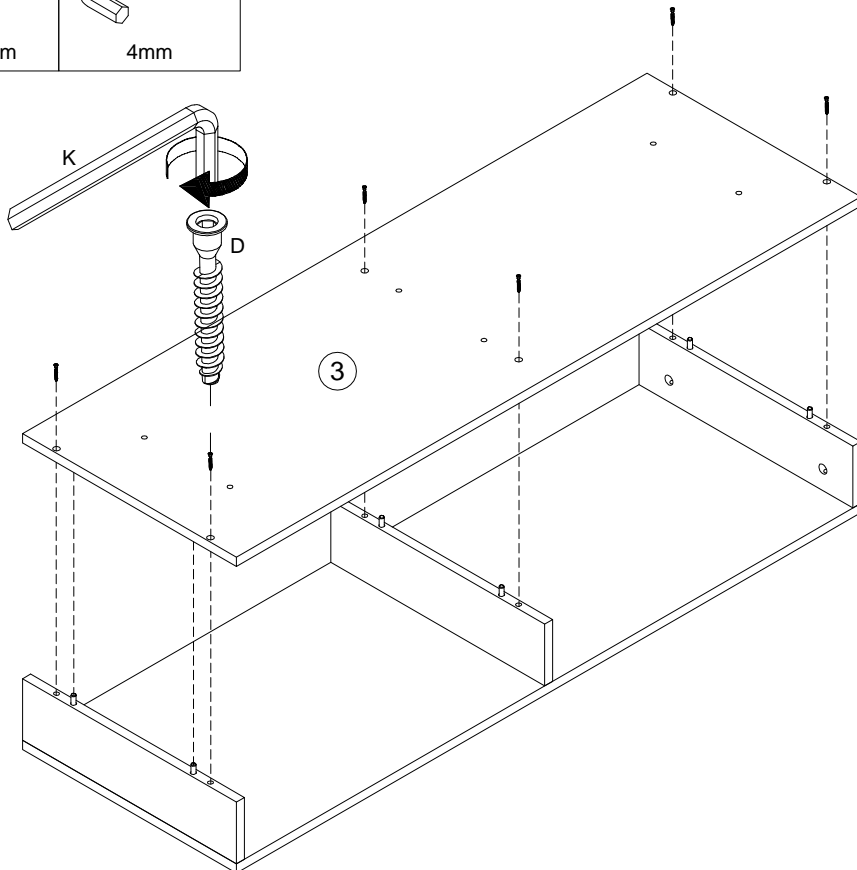
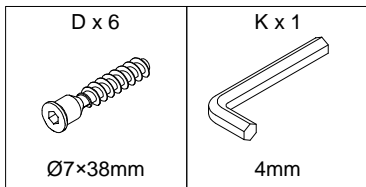
# 2



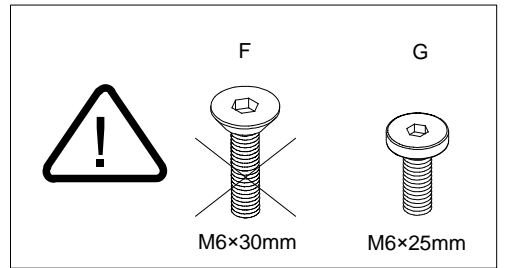
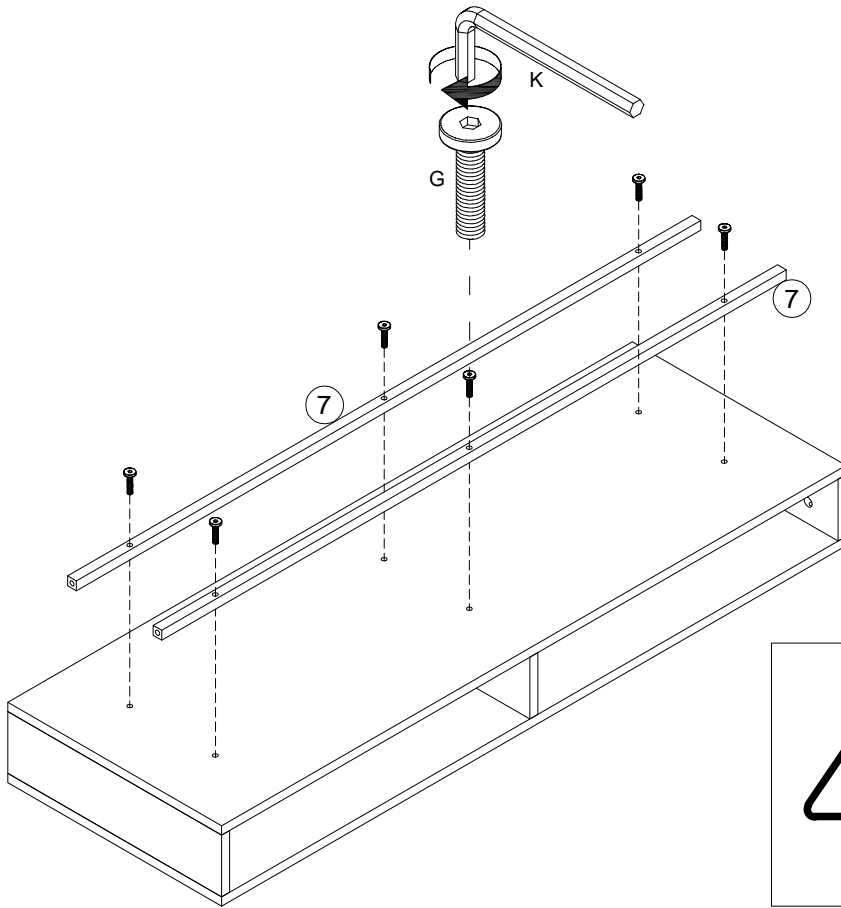
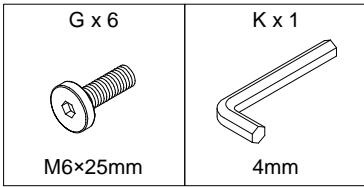
# 3



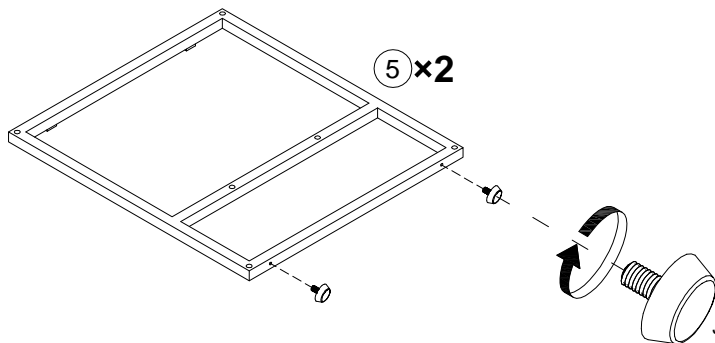
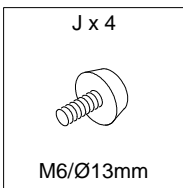
# 4



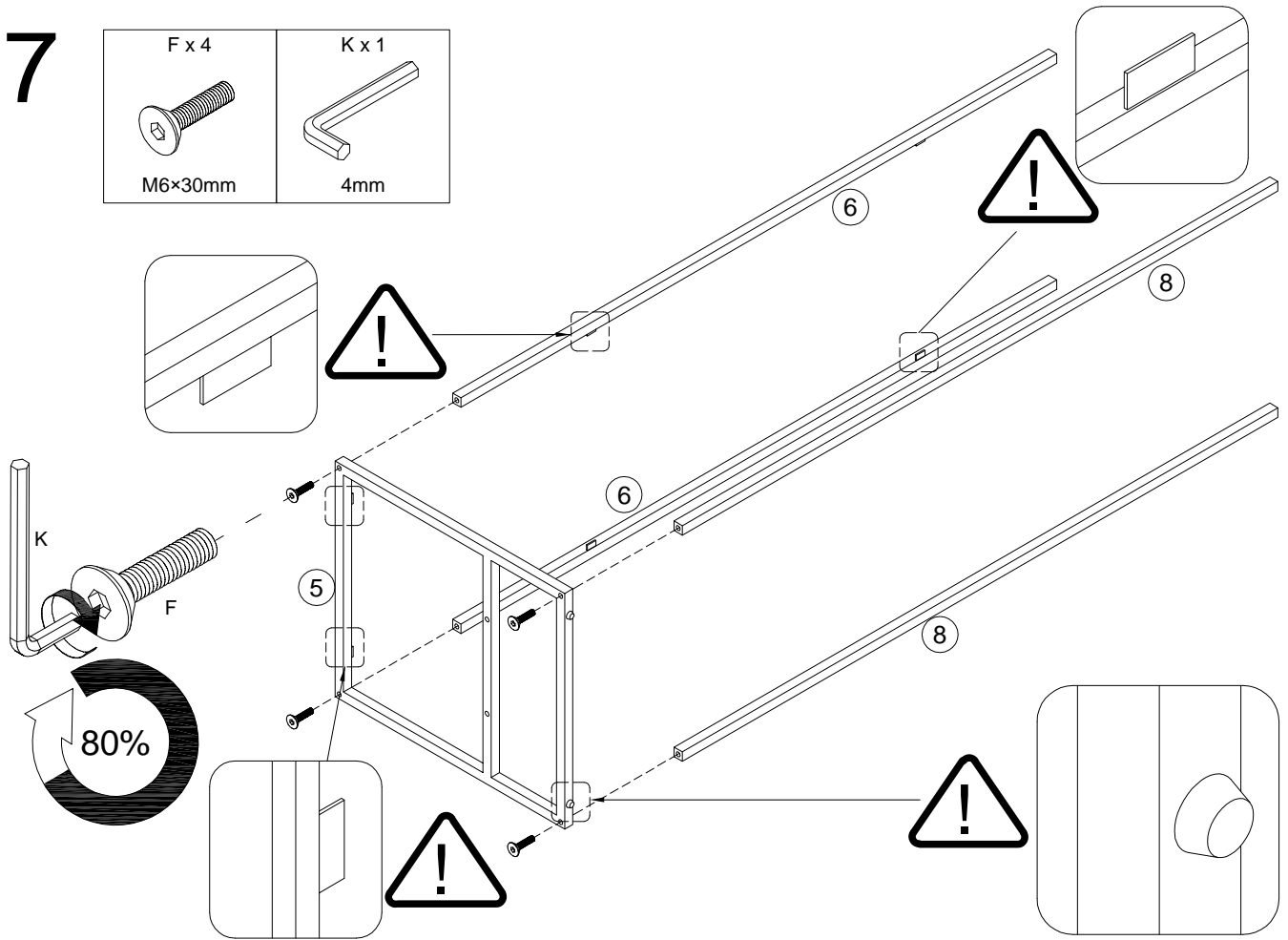
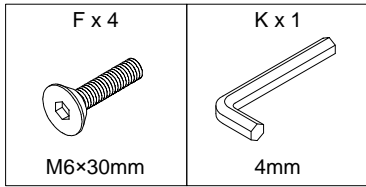
# 5



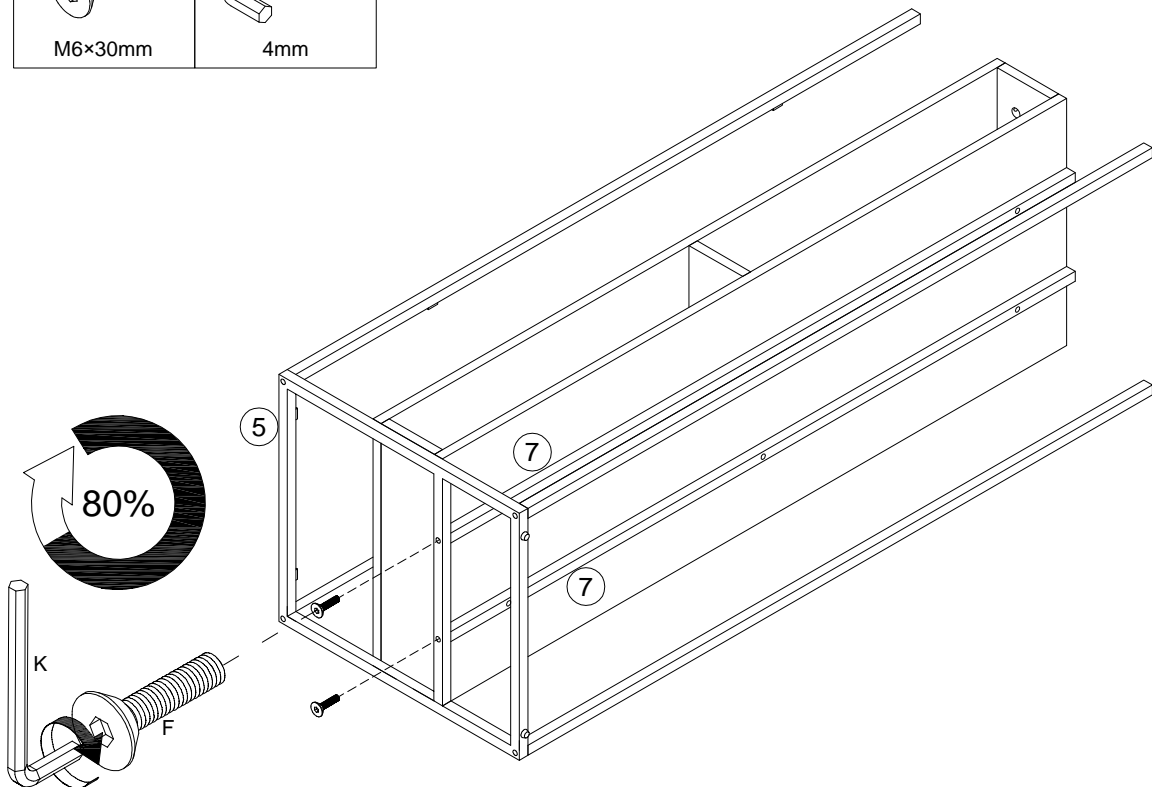
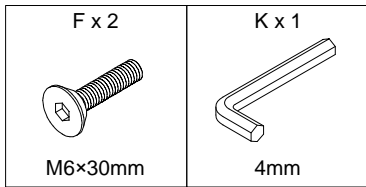
# 6



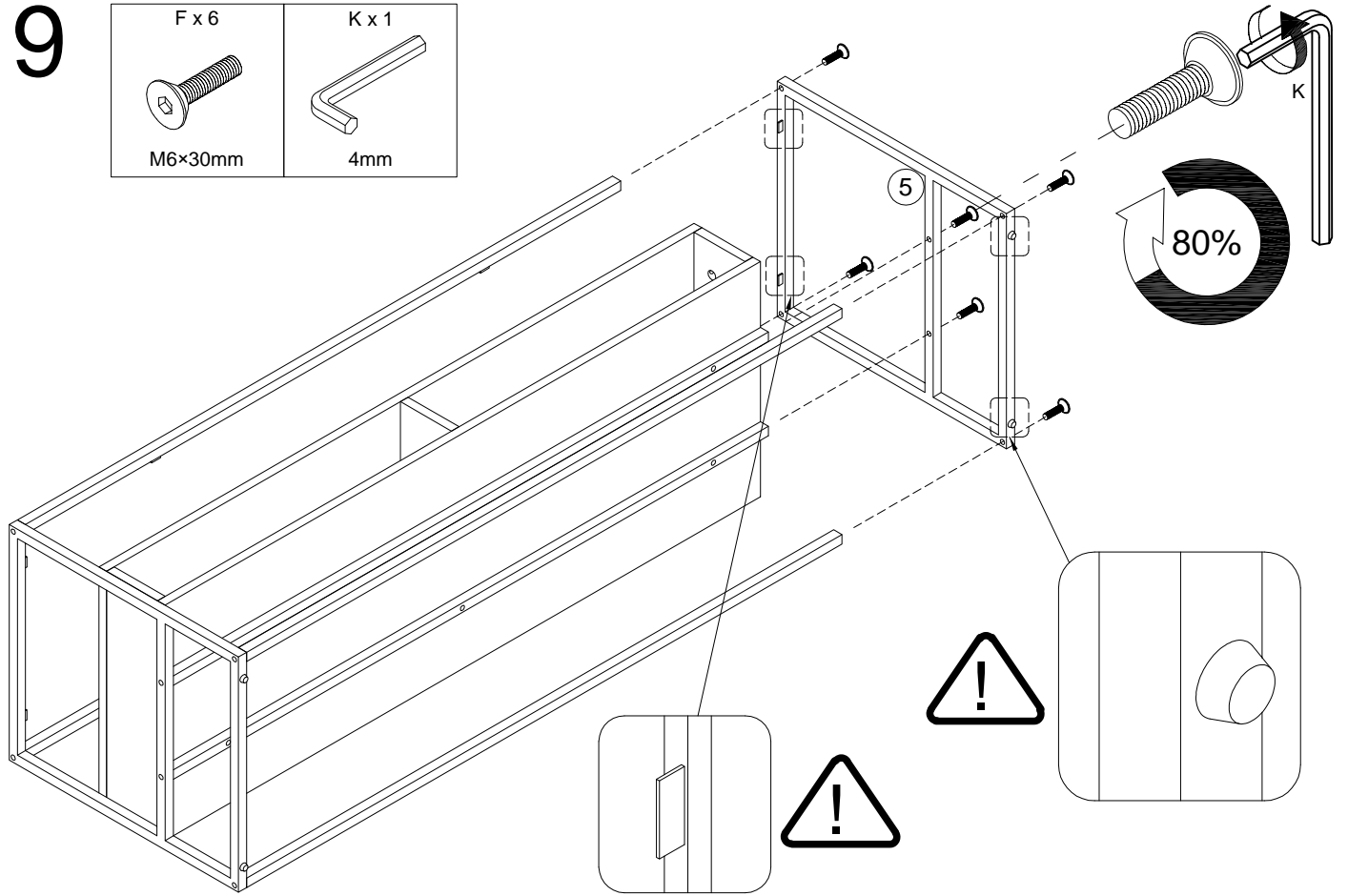
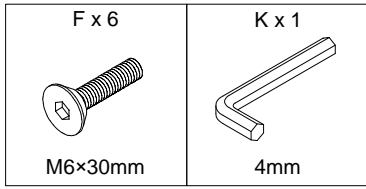
# 7



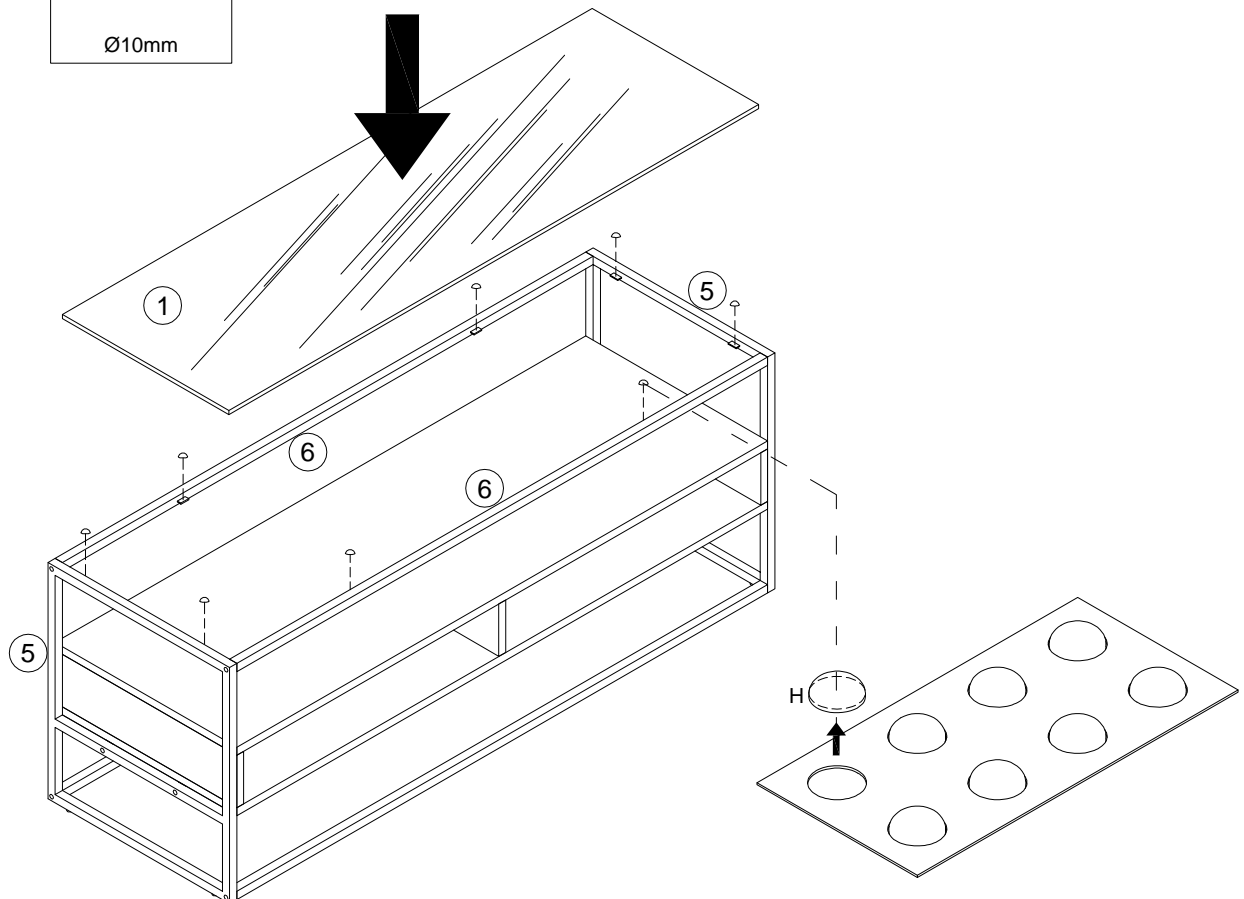
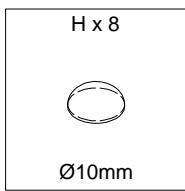
# 8



# 9

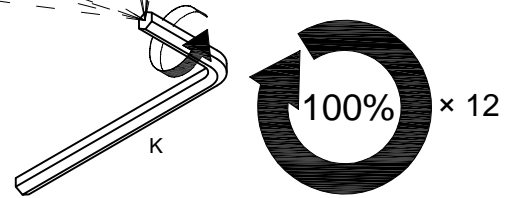
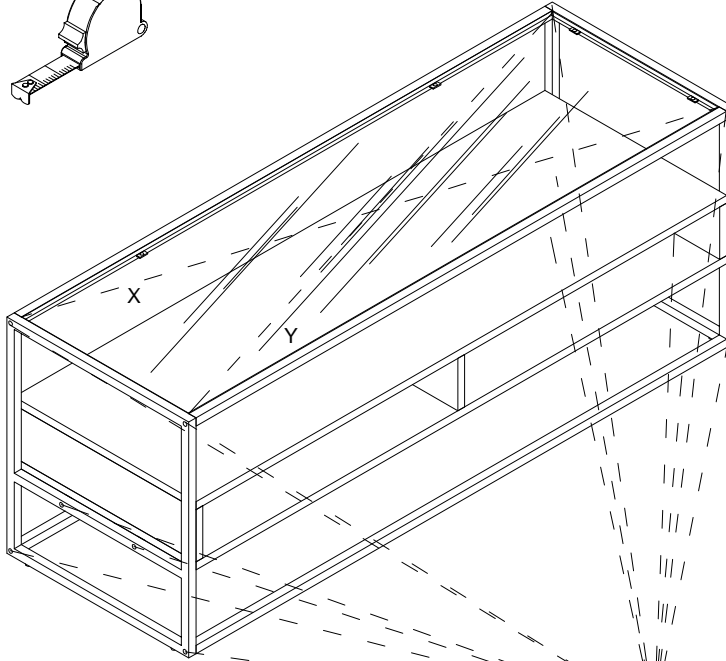
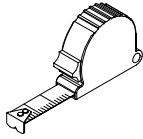


# 10

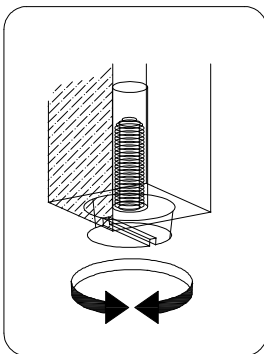
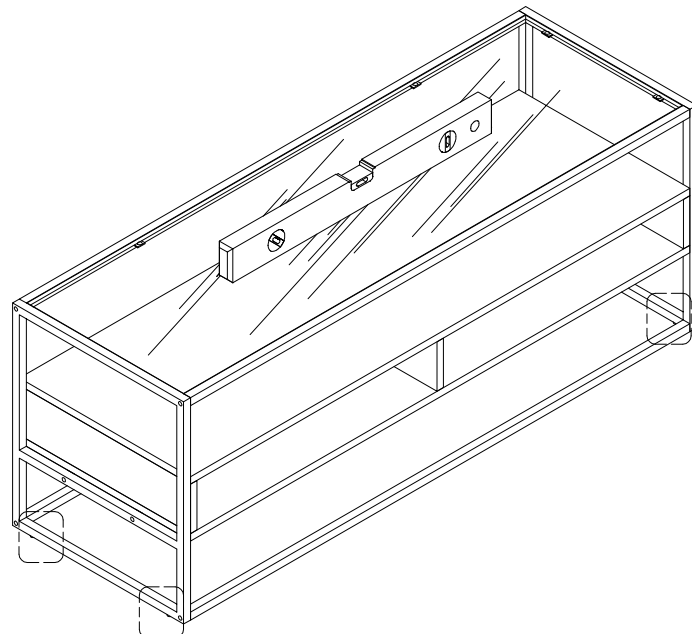
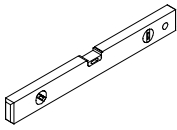




# 11



# 12



13

