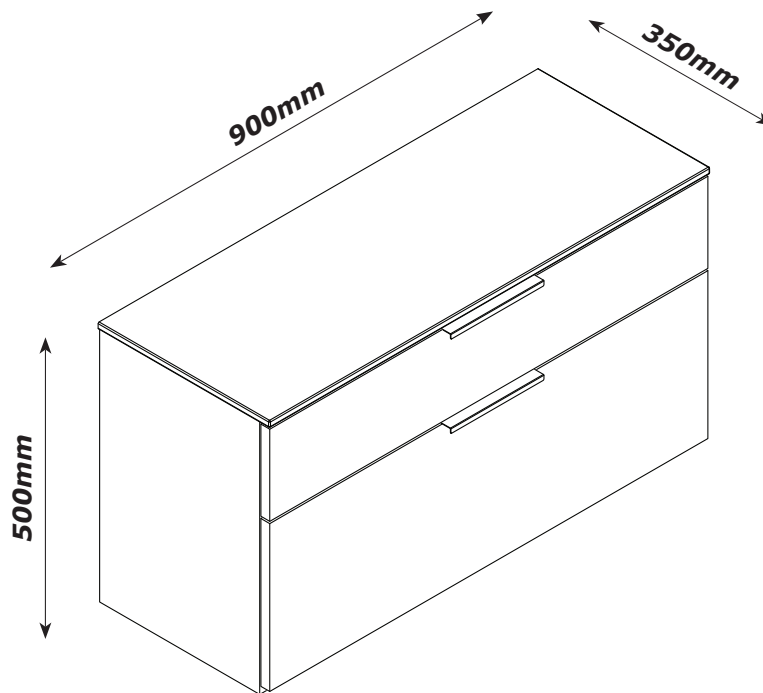
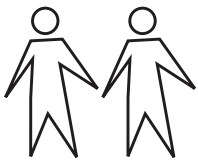


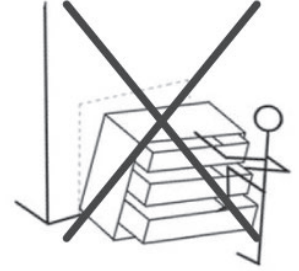
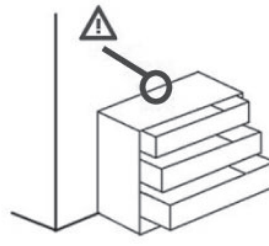
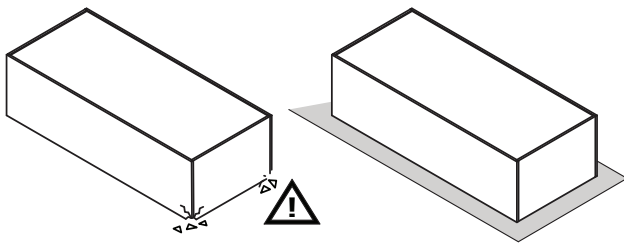
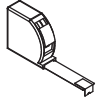
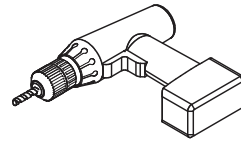
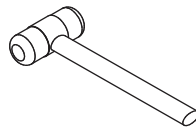
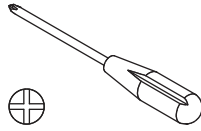
BS4742K56104



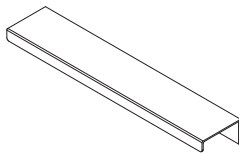
QF4745-4



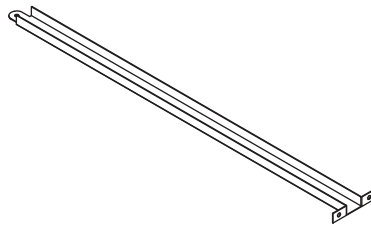
2h



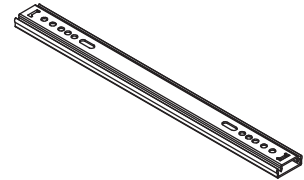
BU3963



M94
x2



W404
x1



A47
x2

BU3908



H54
x18



V5
x22



V38
x2



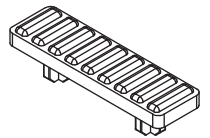
V98
x3



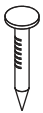
T83
x14



T78
x2



P6
x4



H15
x12



H2
x8



H113
x4



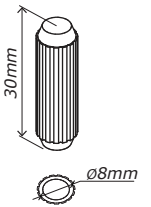
V81
x6



V132
x2



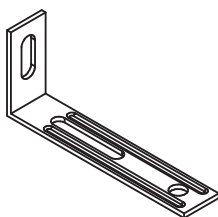
T99
x12



H1
x12

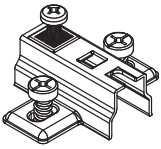


H129
x2

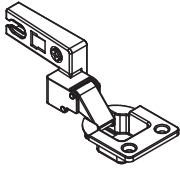


H185
x1

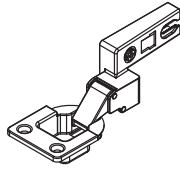
BU2666



B31
x2



C67
x1

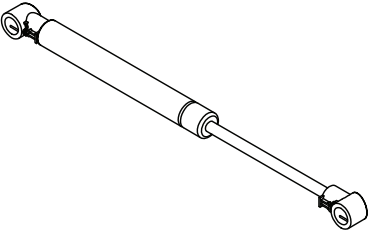


C68
x1



V5
x4

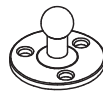
BU3669



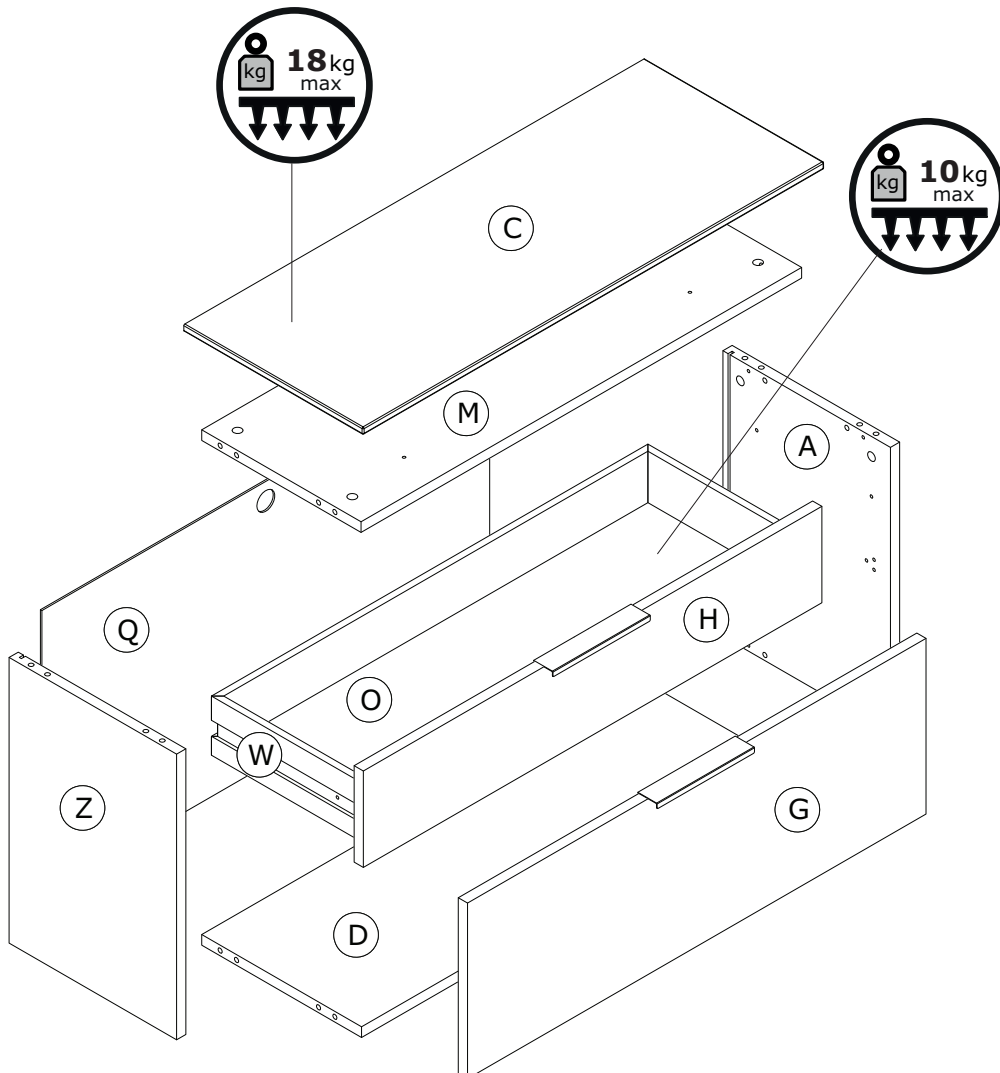
H279
x2

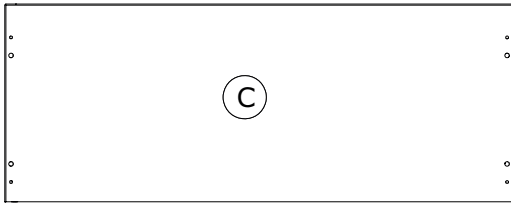


H230
x2

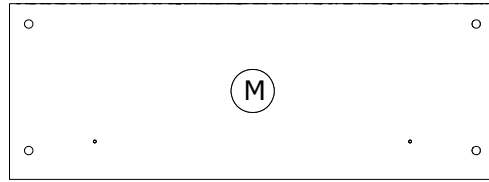


H231
x2

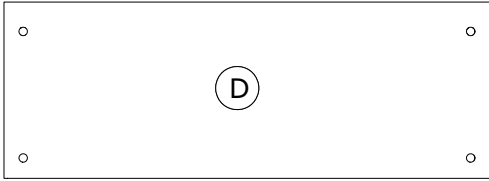




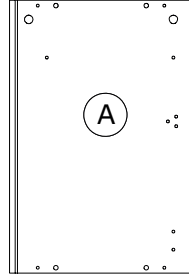
CA3387
900x350x12mm



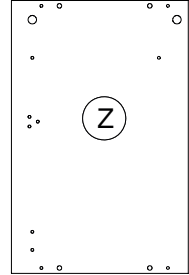
PI6956
860x311x18mm



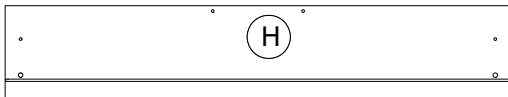
BA2076
860x312x18mm



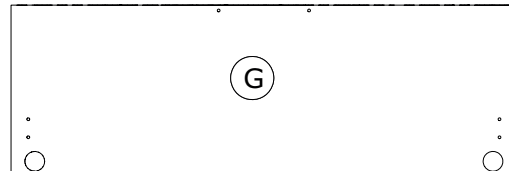
FI8236
843x327x18mm



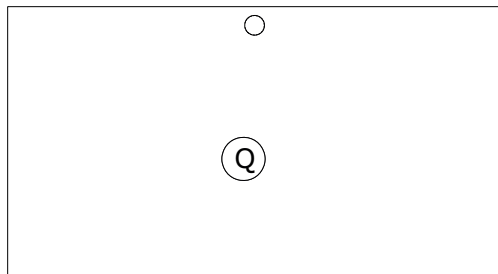
FI8238
843x327x18mm



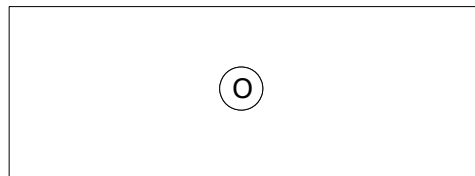
CS3028
895x163x18mm



AN2686
895x297x18mm



SS0690
874x480x3mm

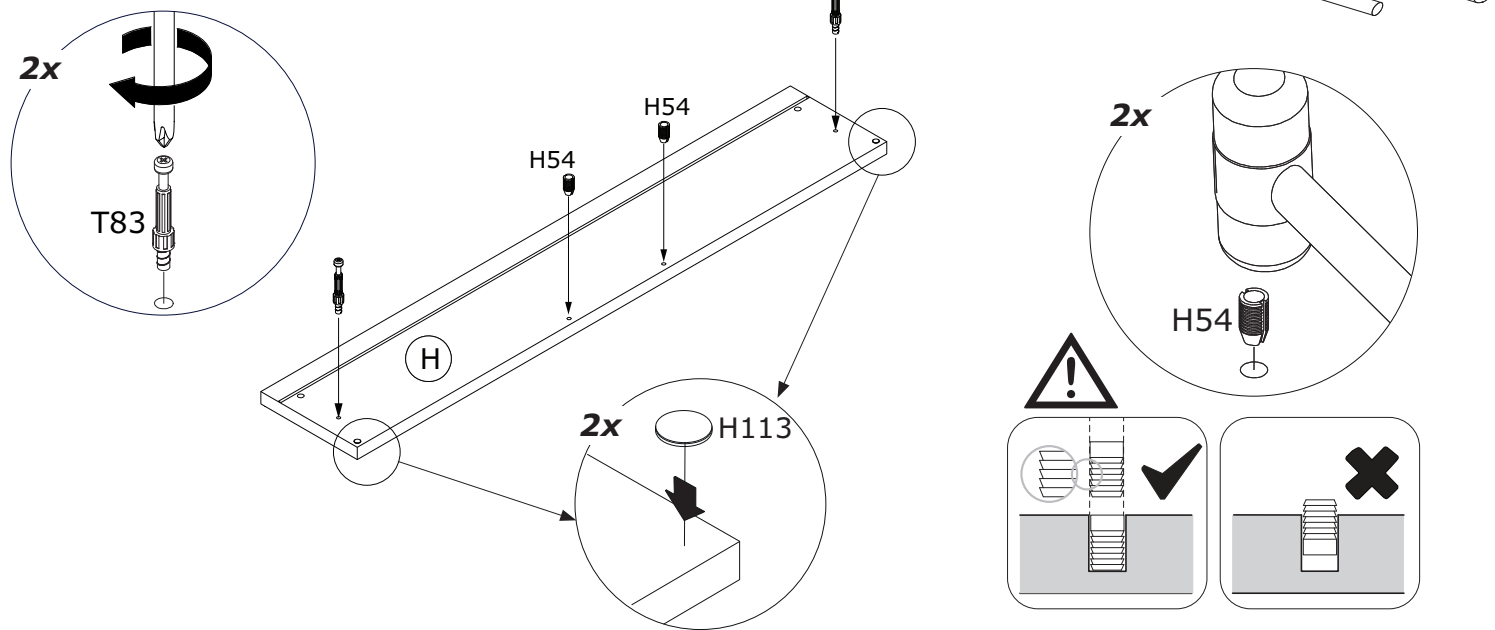


SH3657
839x301x2mm

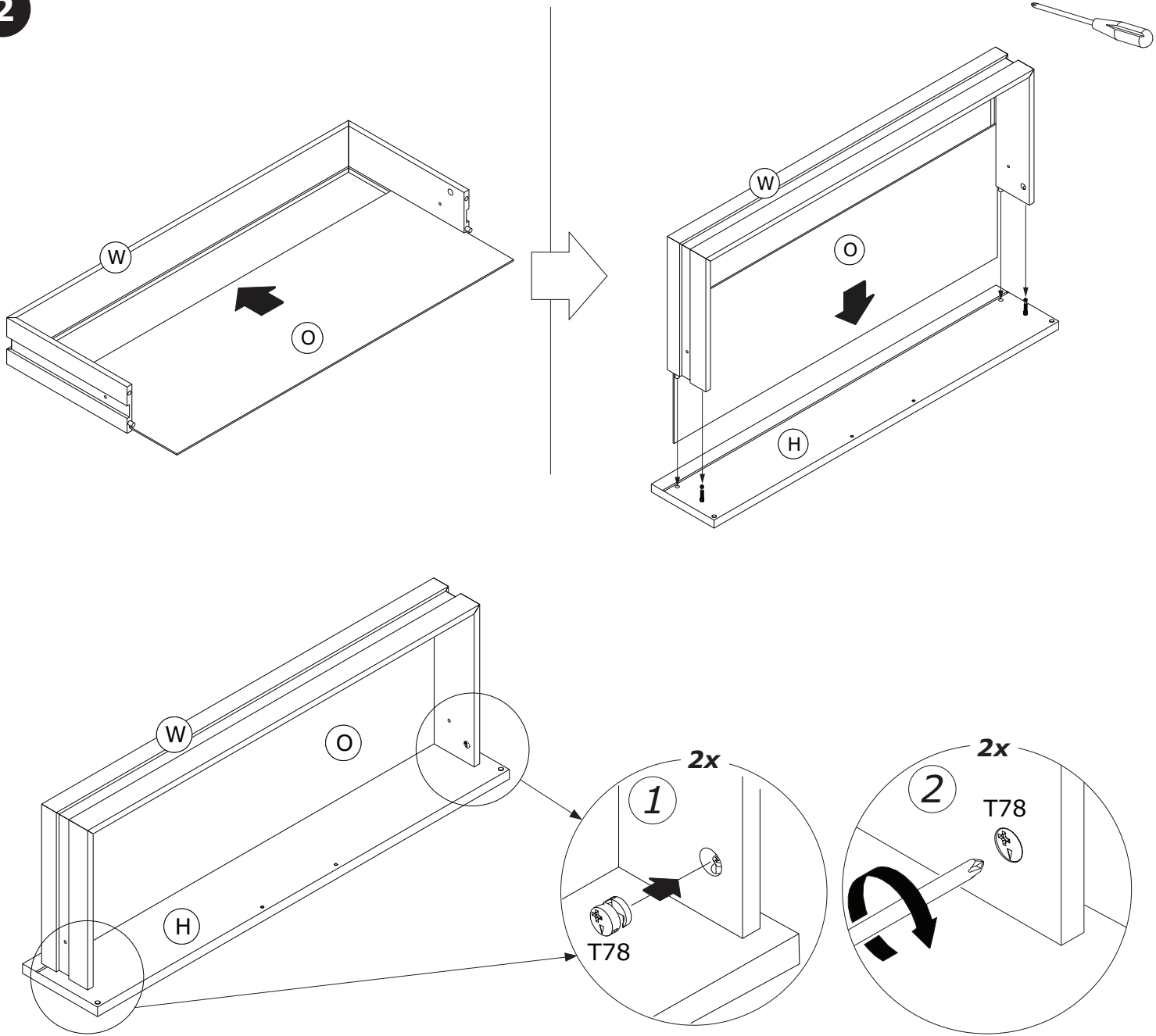


OF0691
300x852x300mm H. 100mm

1



2

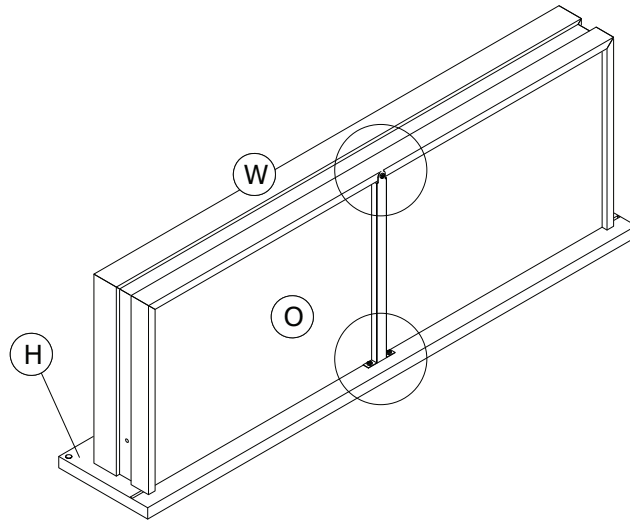
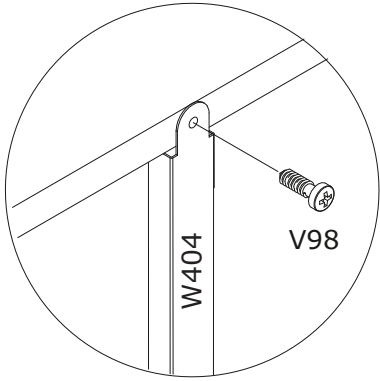


3

3x

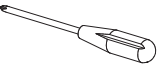
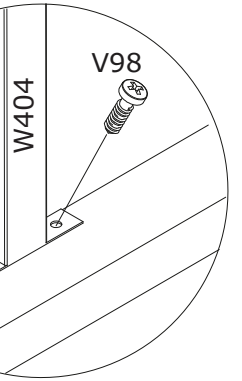


V98



2x

V98

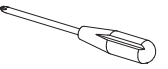
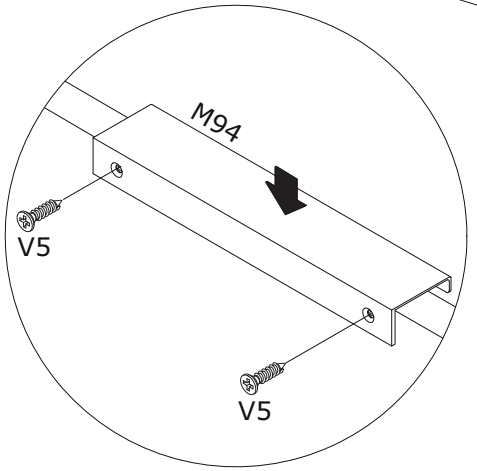
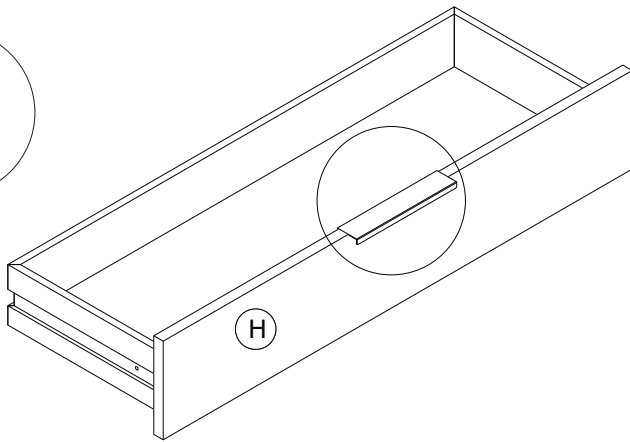


4

2x

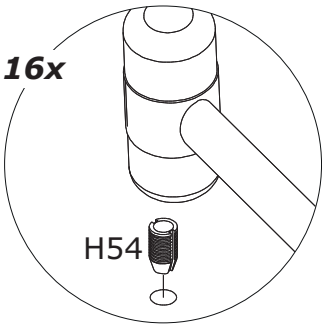


V5

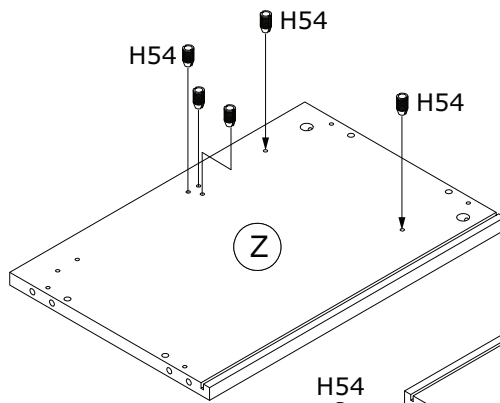
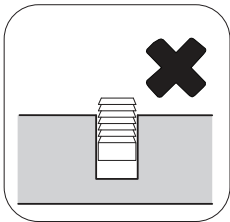
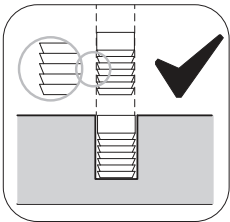


5

16x



H54



H54

H54

H54

H54

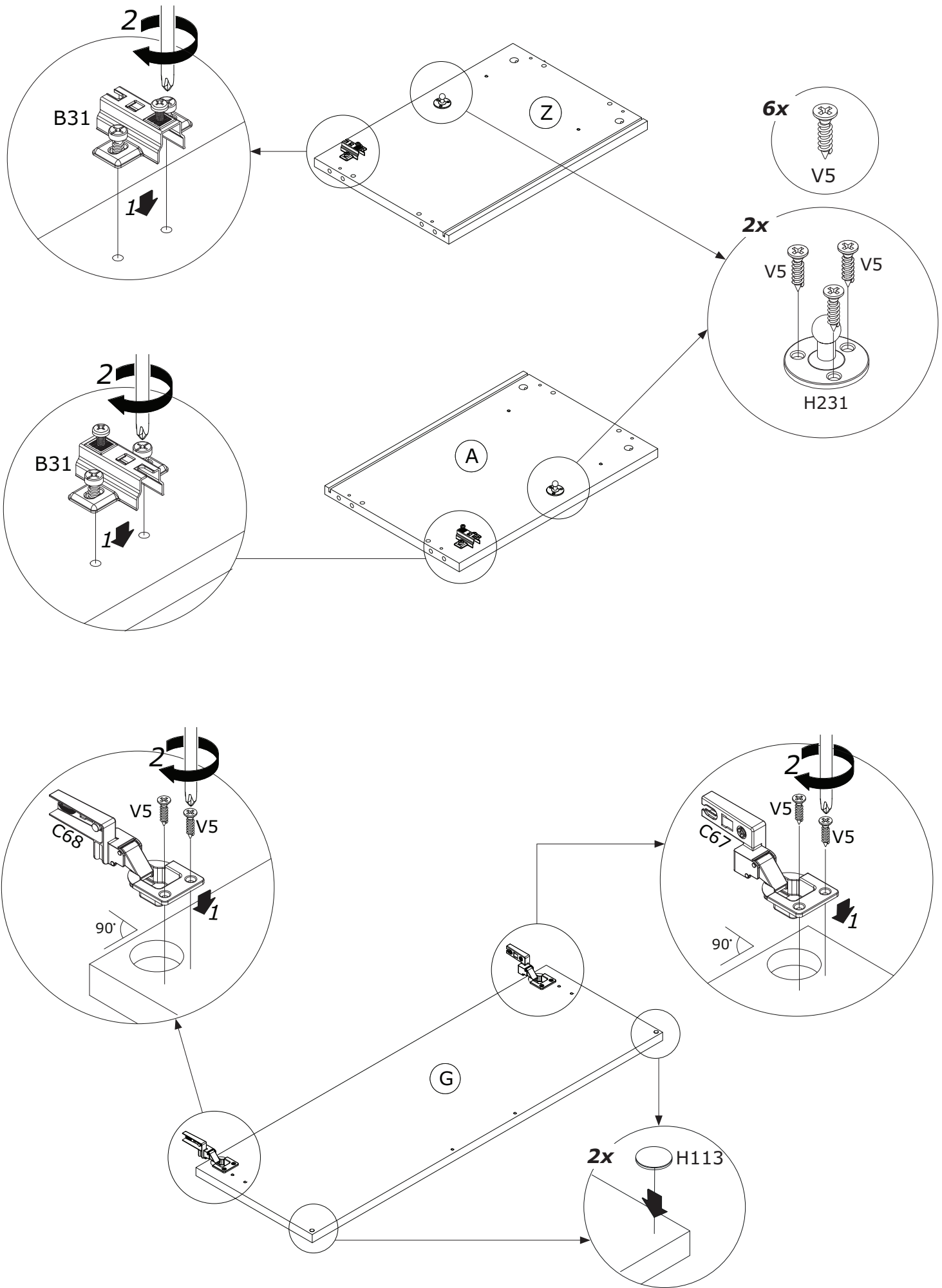
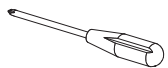
H54

H54

H54

H54

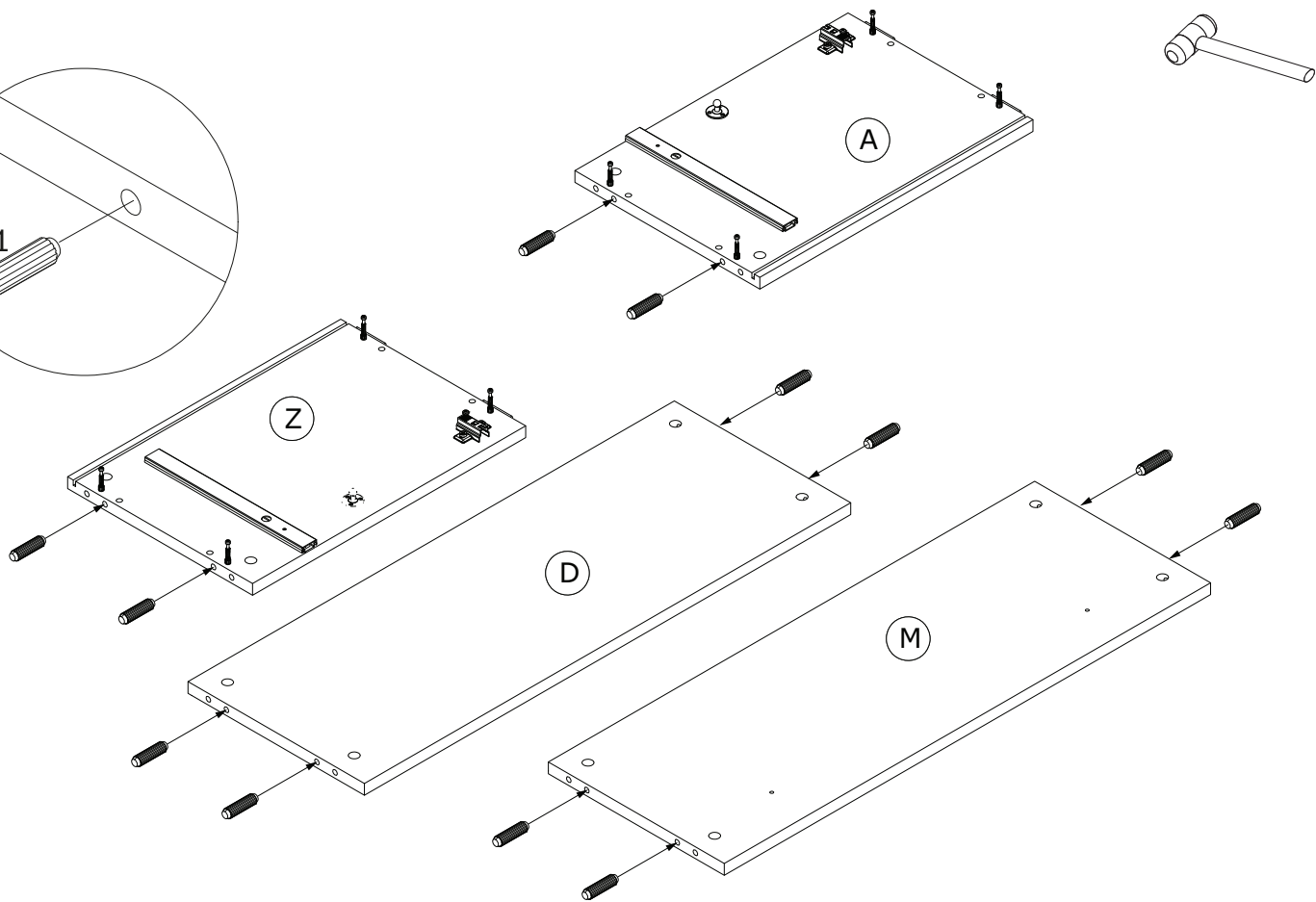
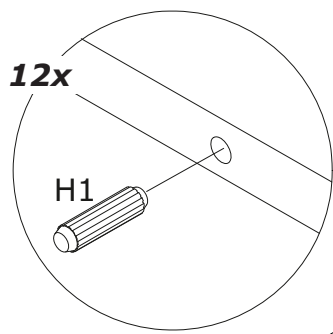
H54



9

12x

H1



10

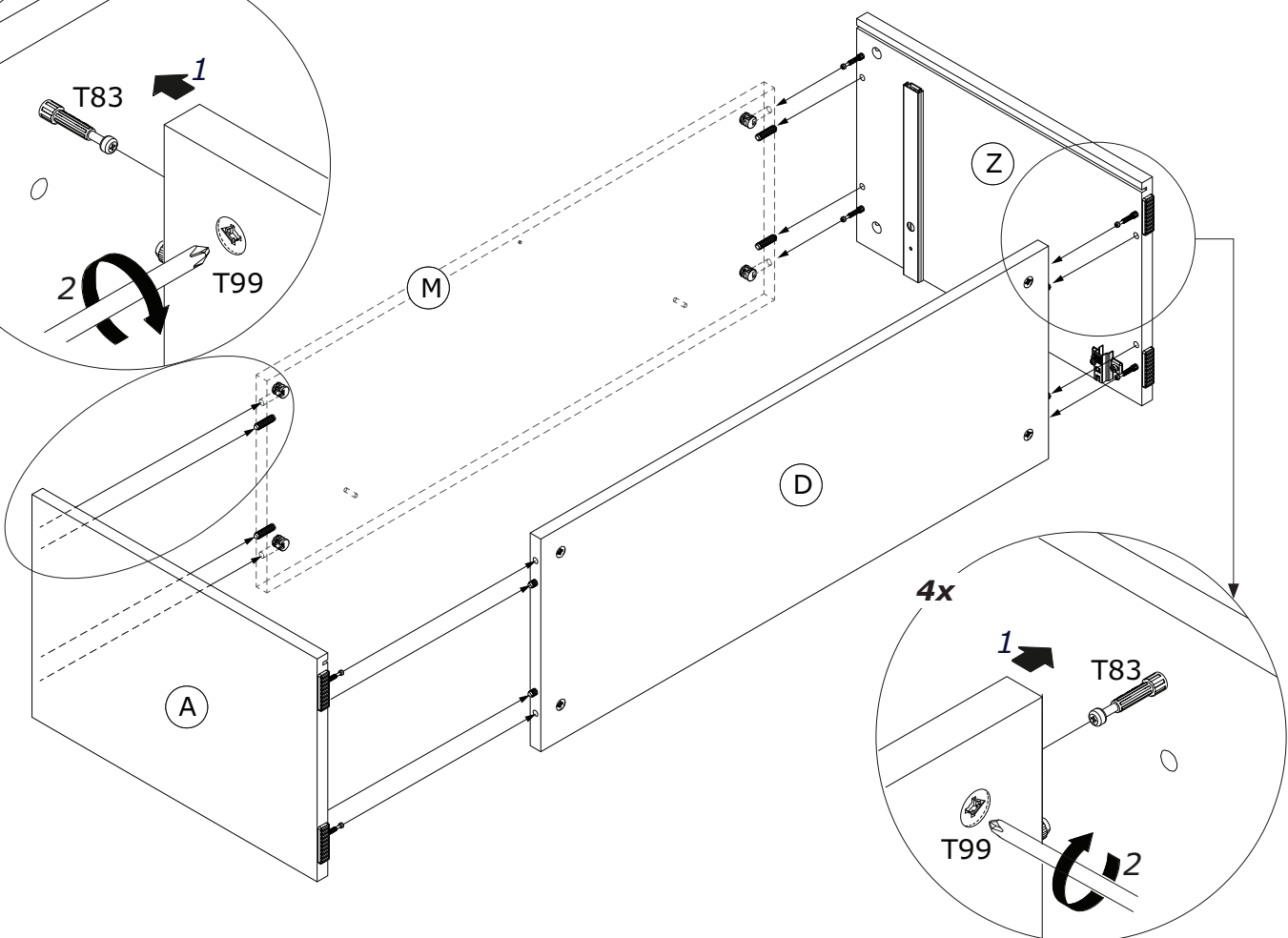
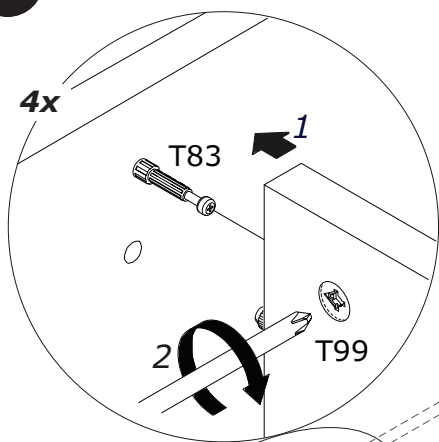
4x

T83

1

2

T99



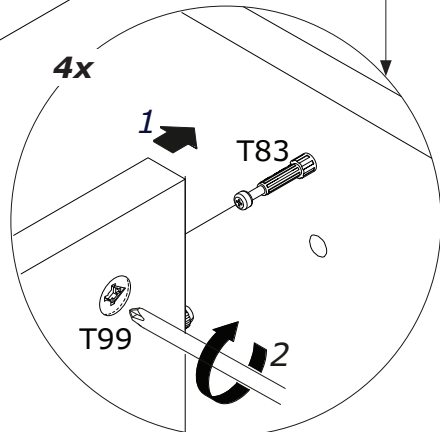
4x

1

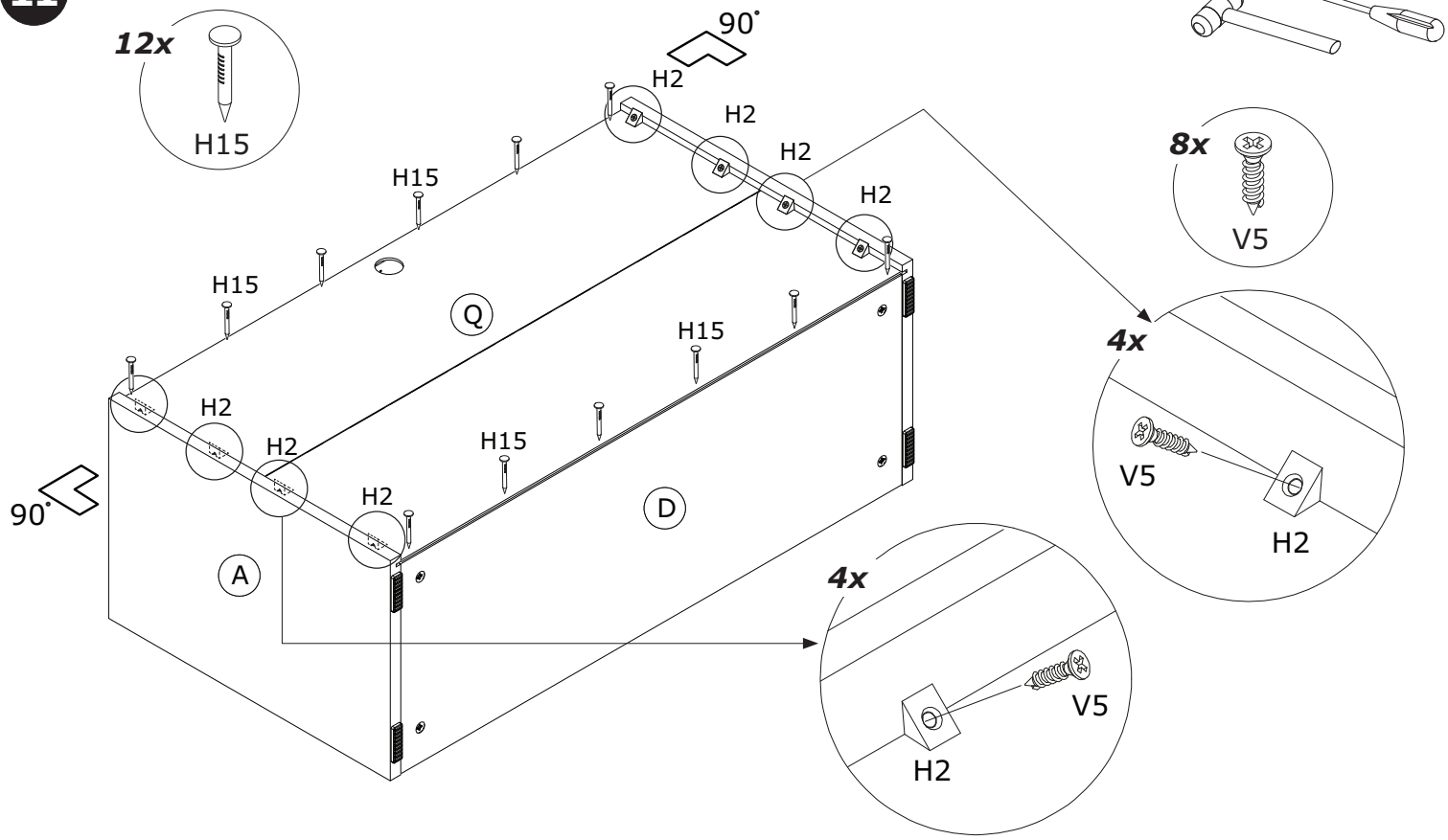
T83

T99

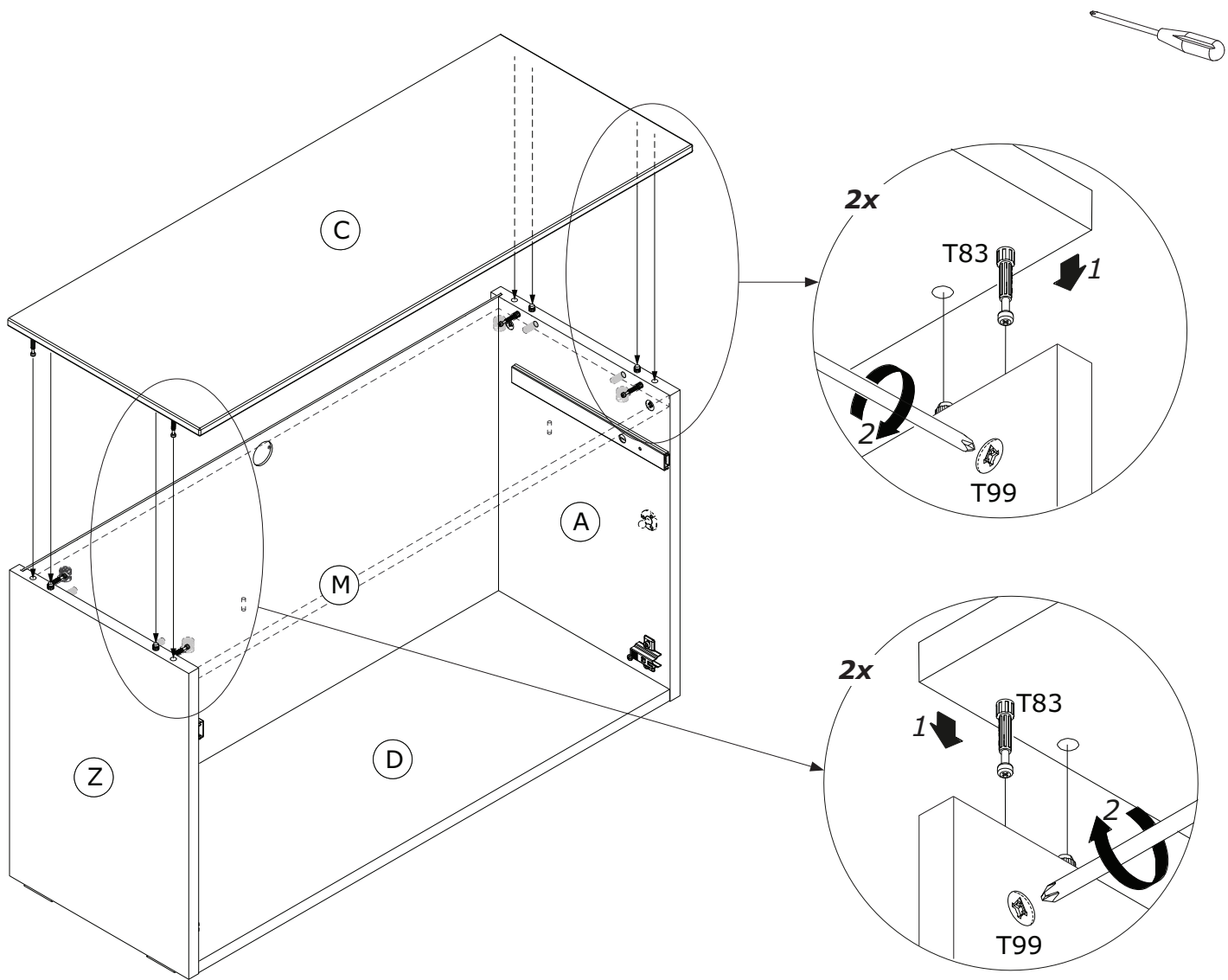
2



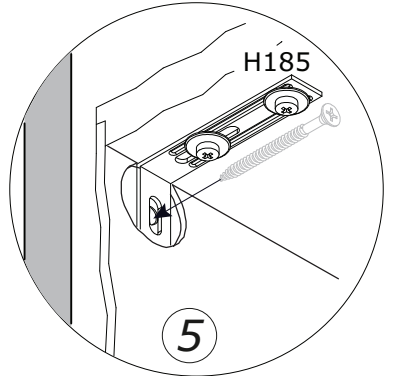
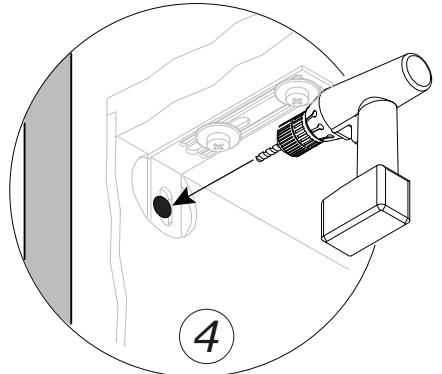
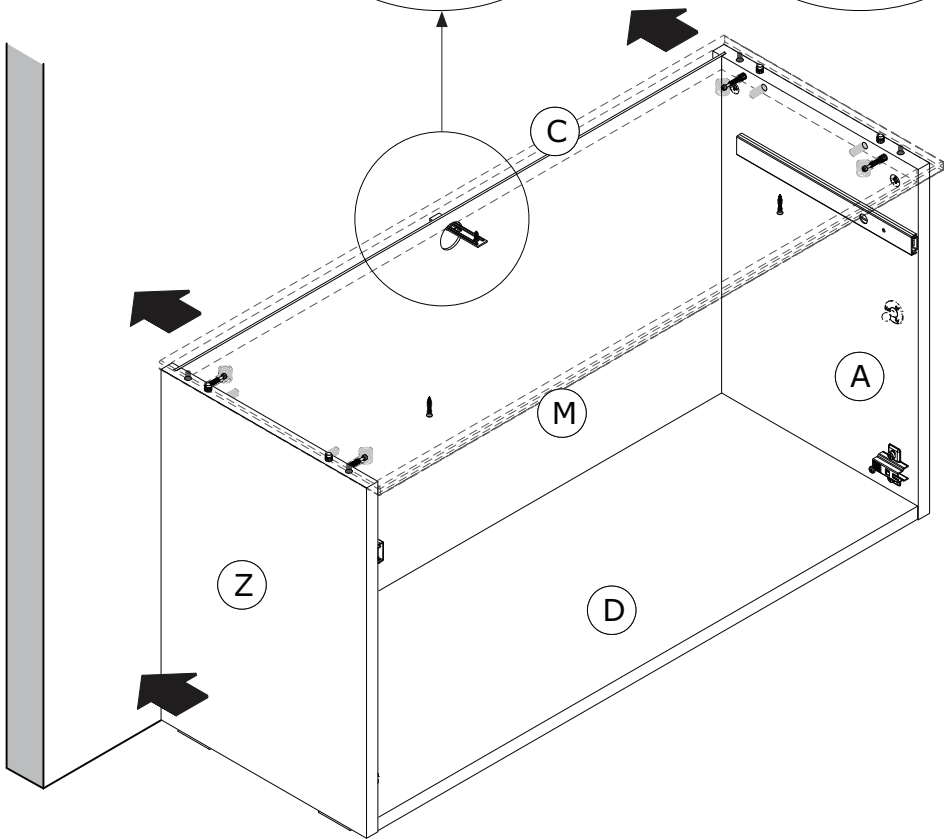
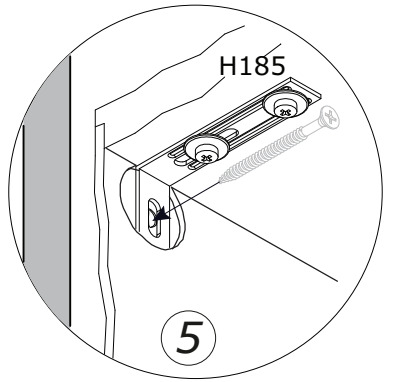
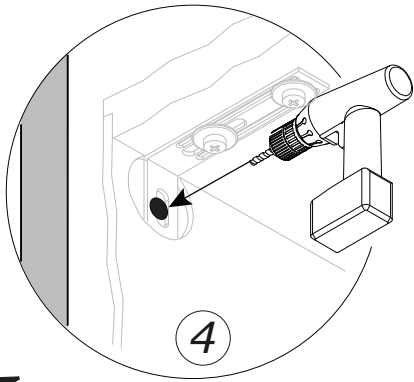
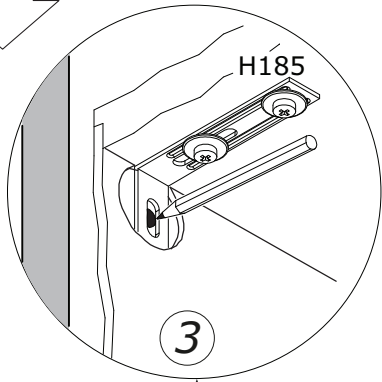
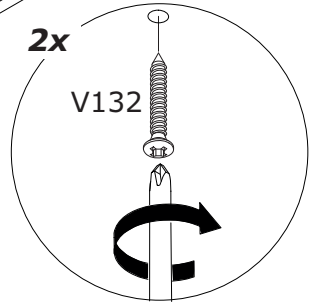
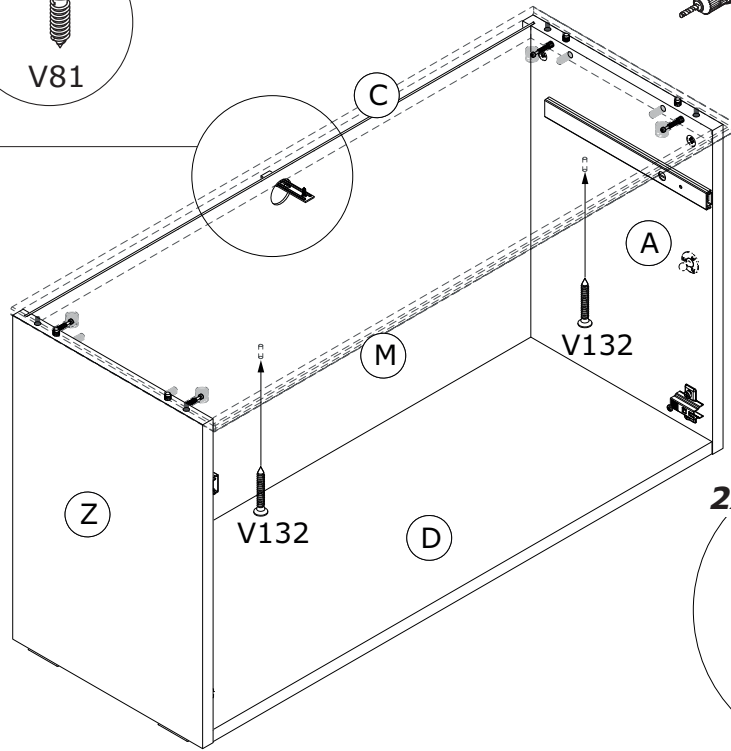
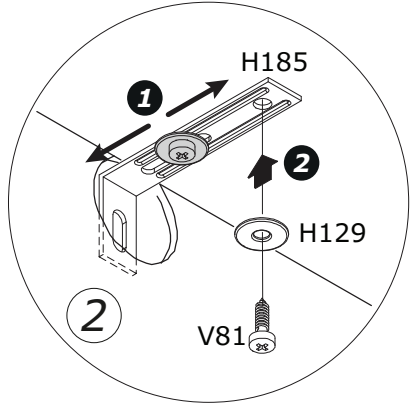
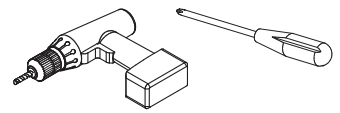
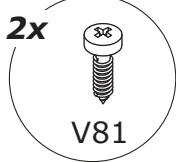
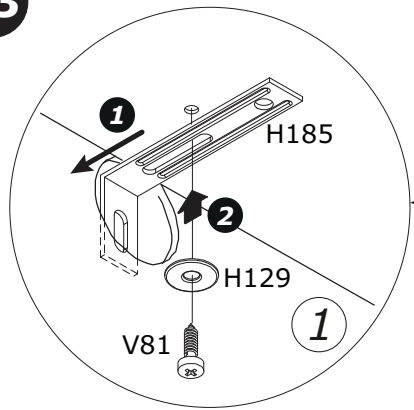
11



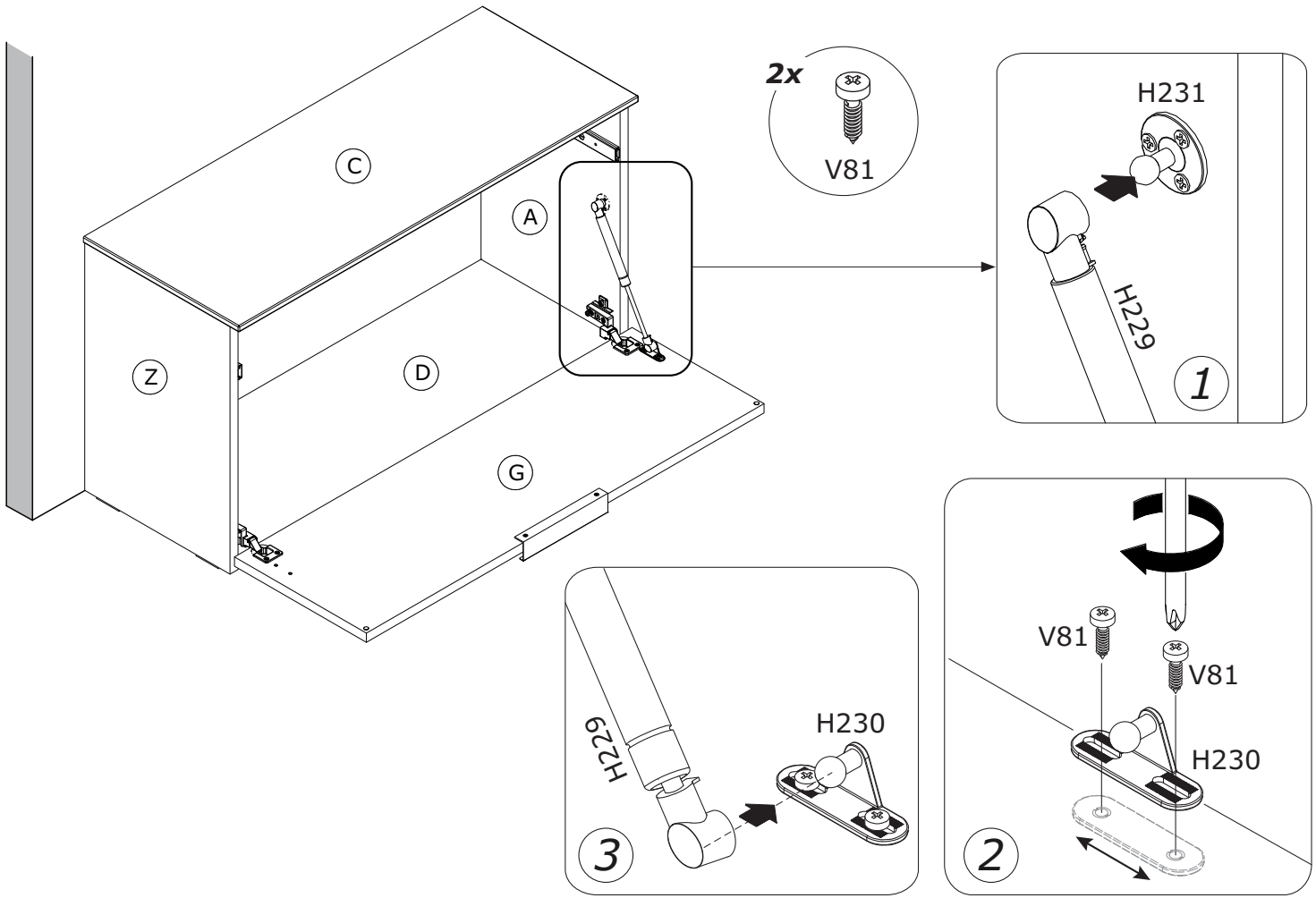
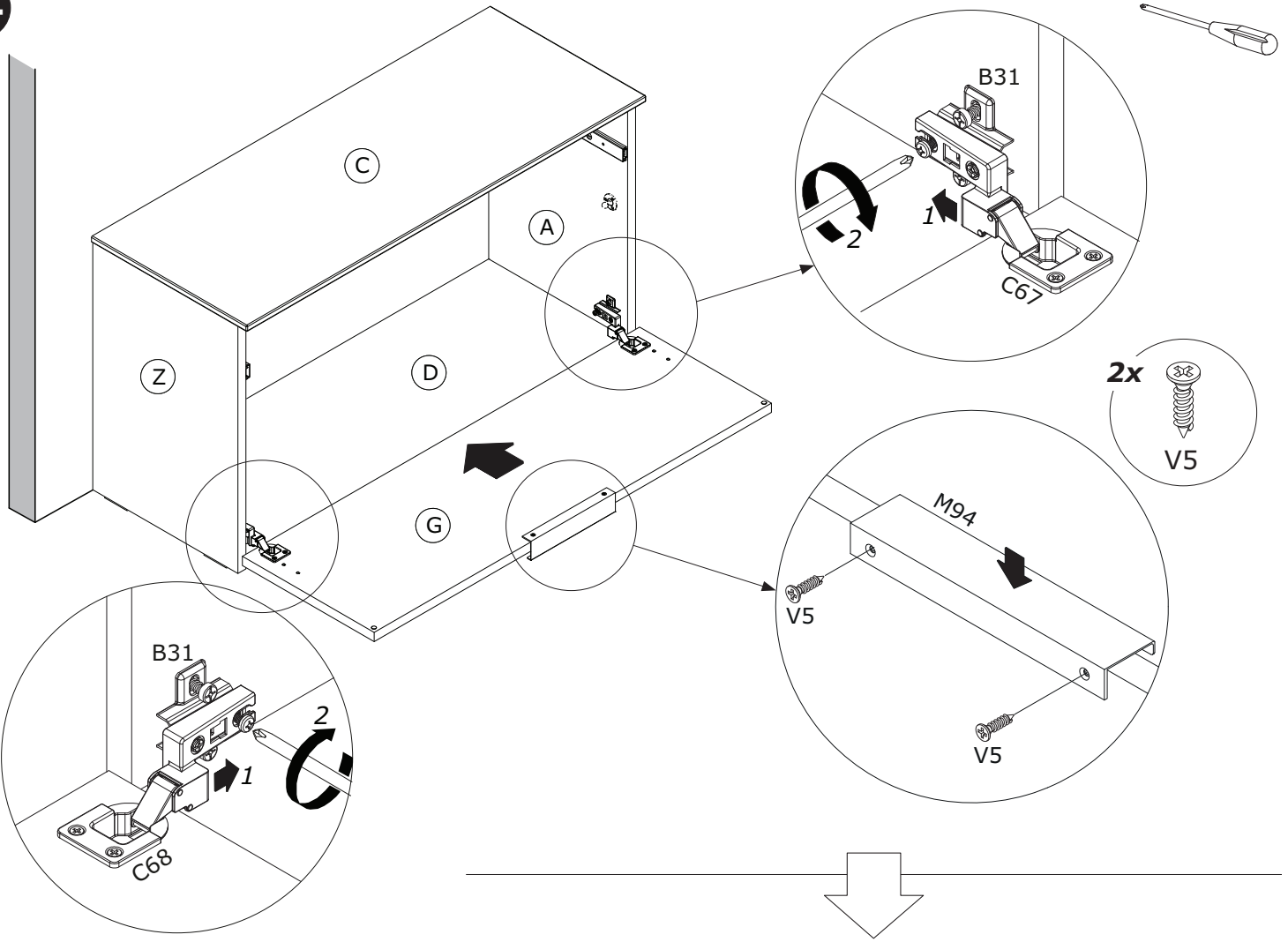
12



13



14



15

