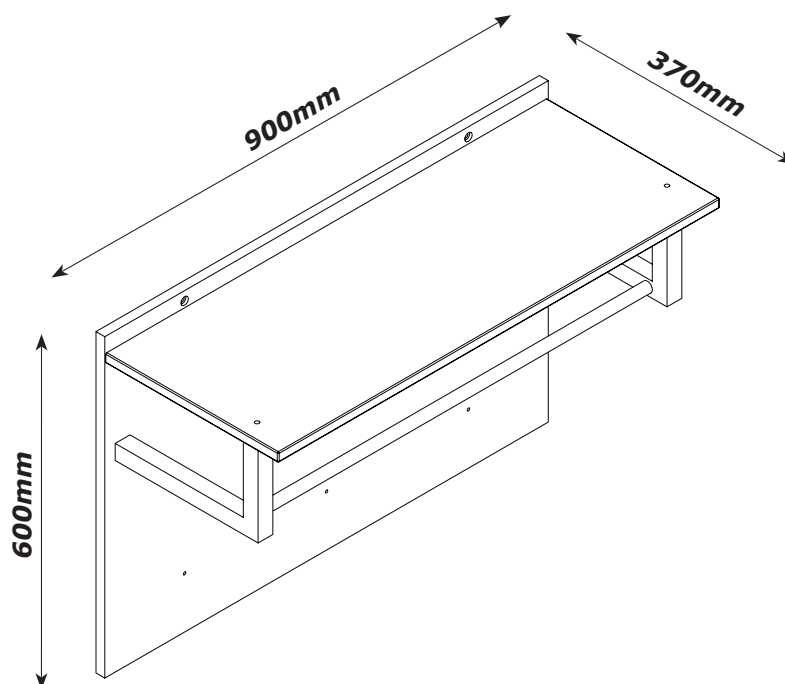
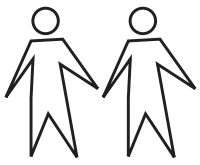


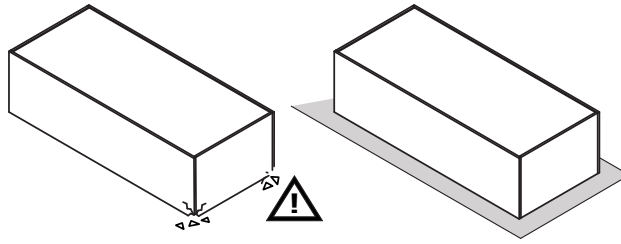
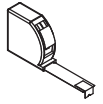
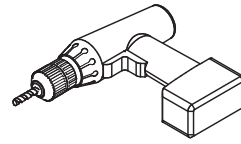
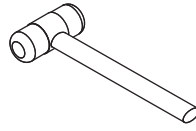
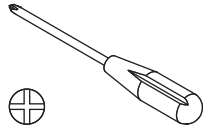
# PN4743K56104



QF4743



1h



**BU3902**



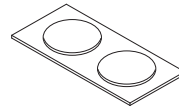
**M179**  
x3



**V104**  
x3



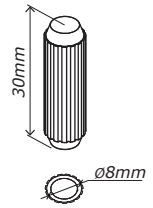
**V76**  
x4



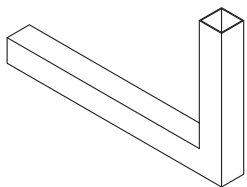
**G150**  
x2



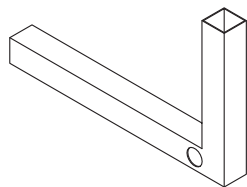
**V45**  
x3



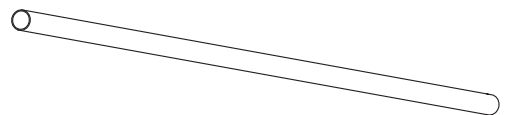
**H1**  
x2



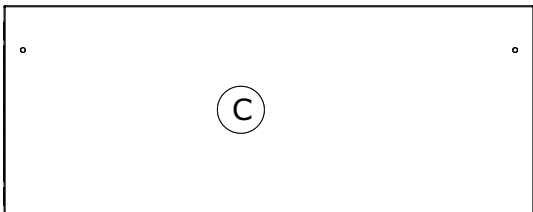
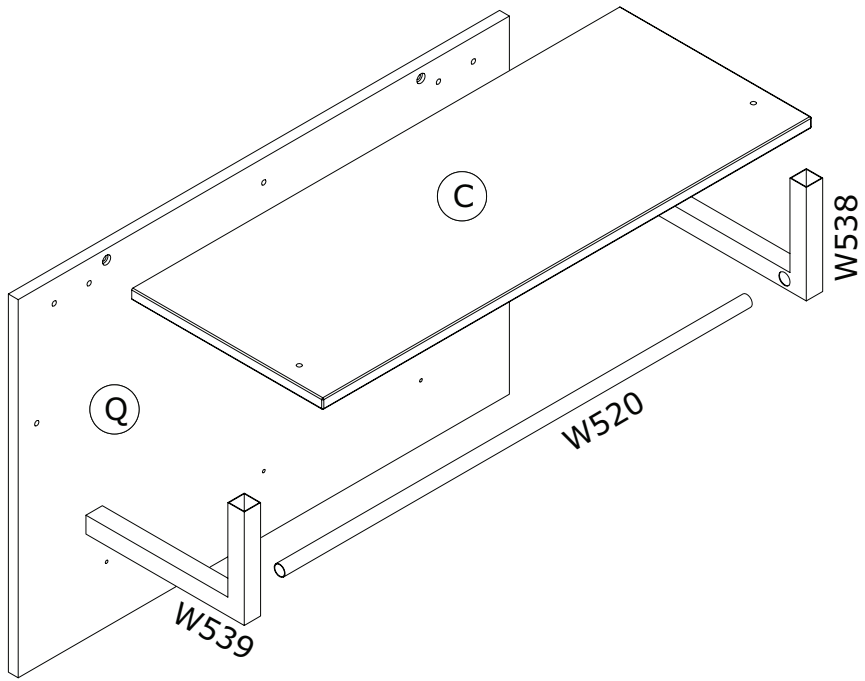
**W539**  
x1



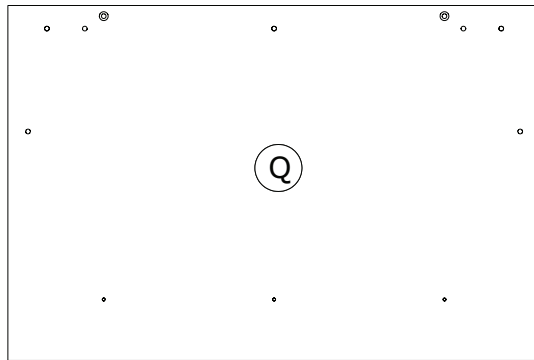
**W538**  
x1



**W520**  
x1

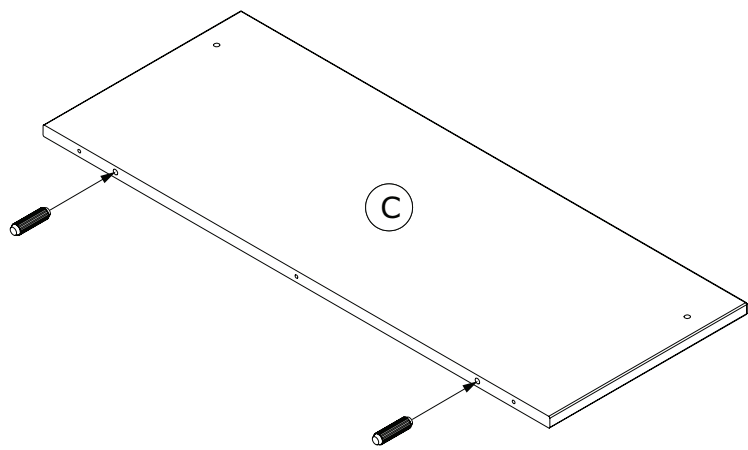
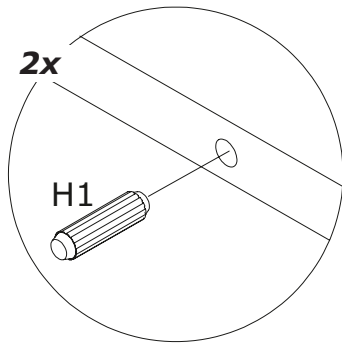
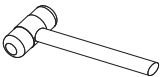


**CA3385**  
896x350x18mm

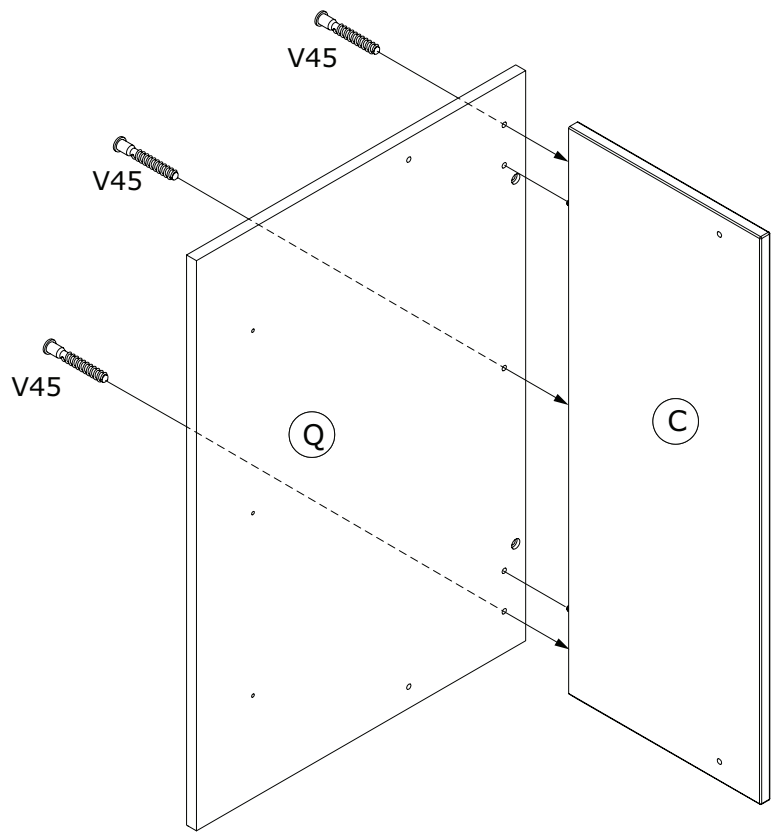
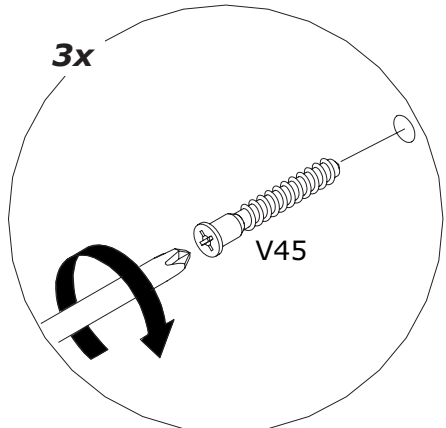
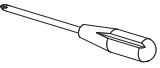


**SH3157**  
900x600x18mm

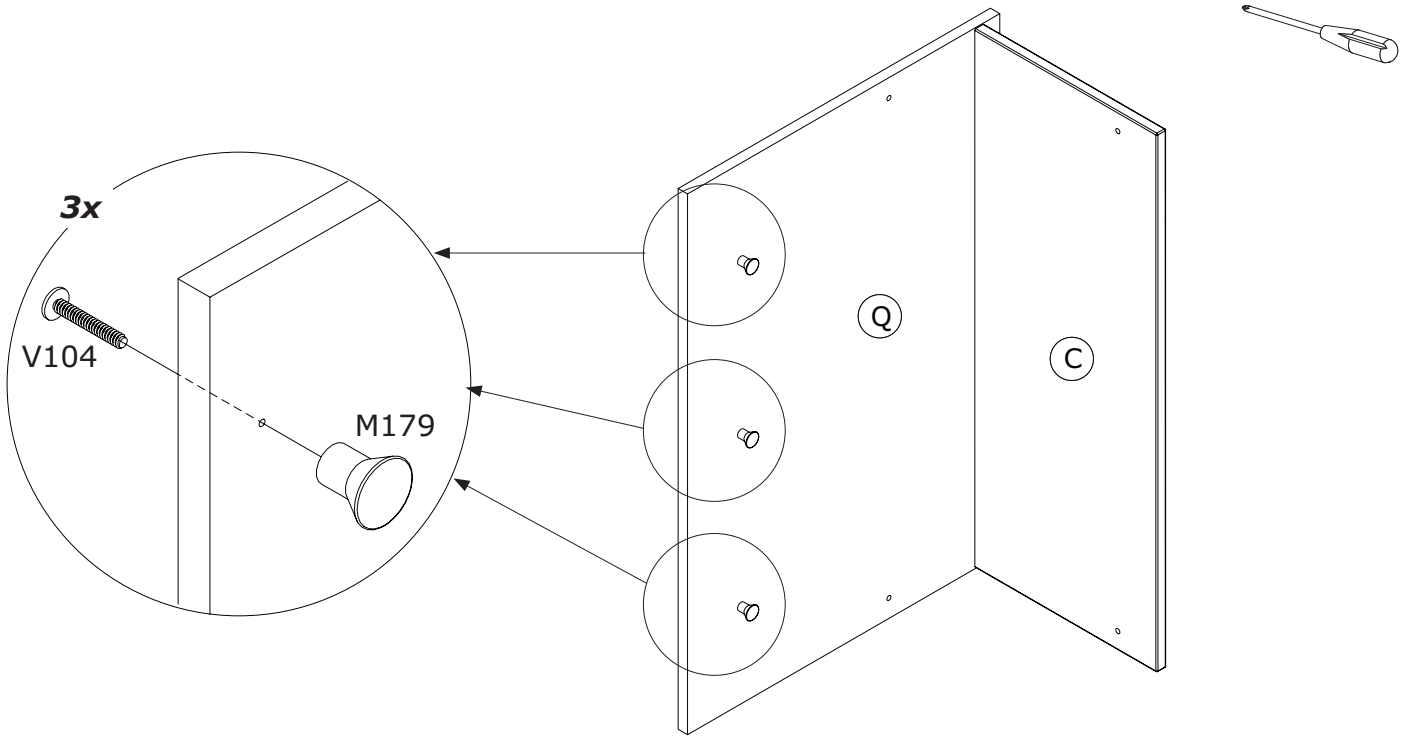
1



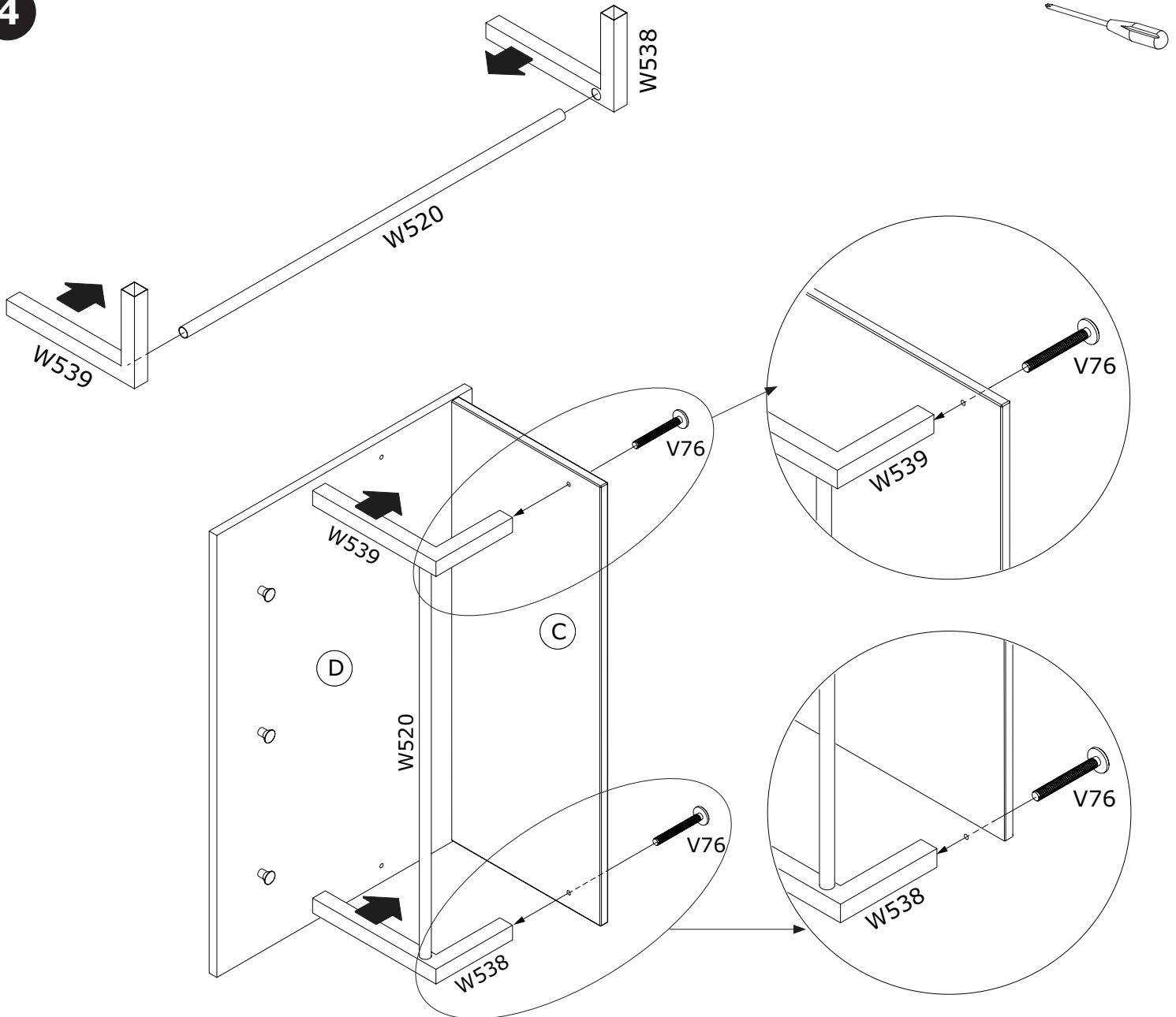
2



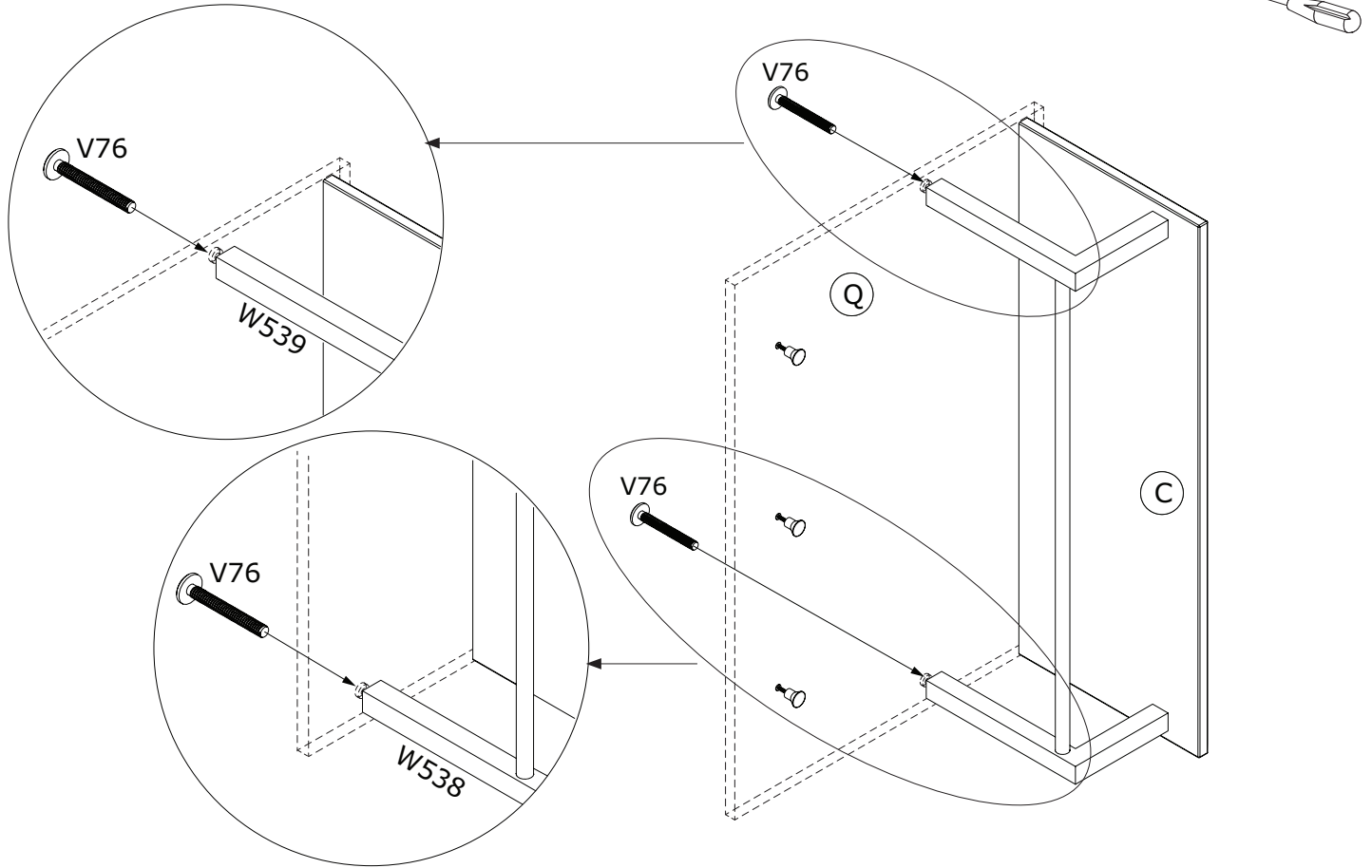
3



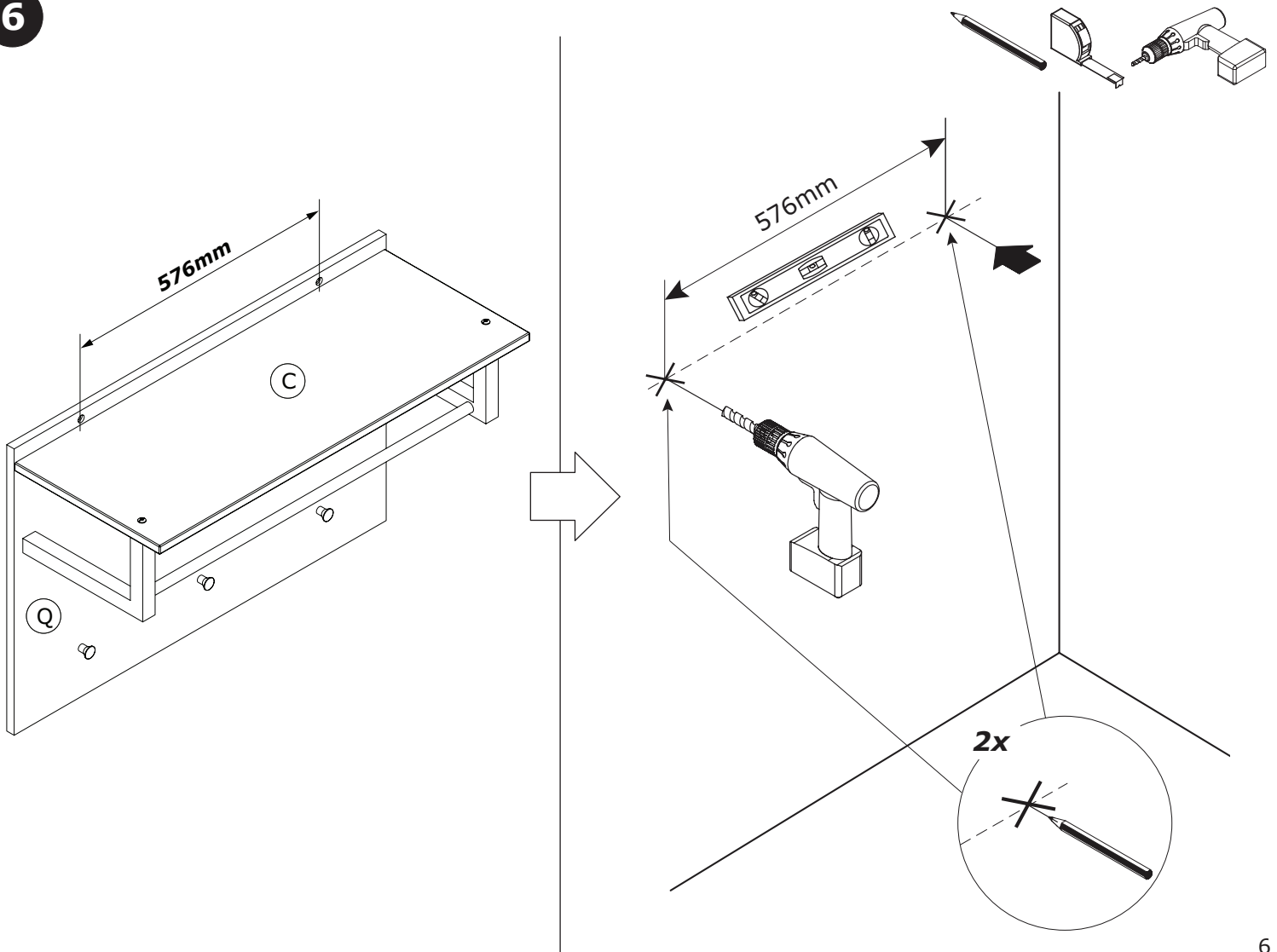
4



5



6



7

