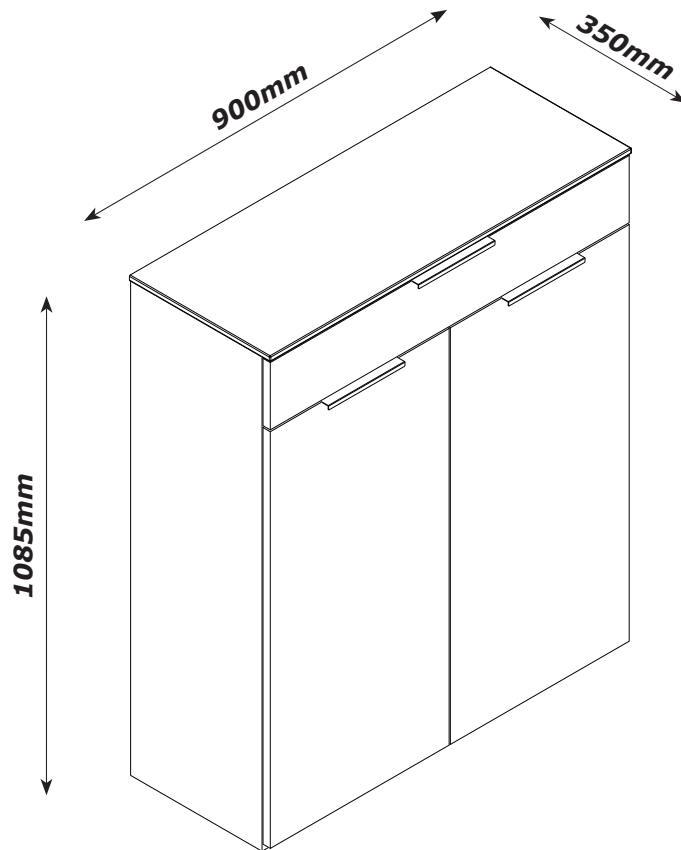


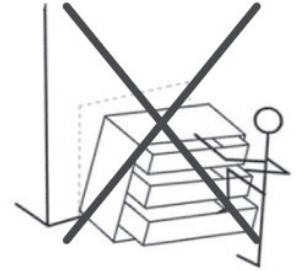
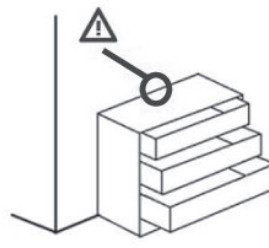
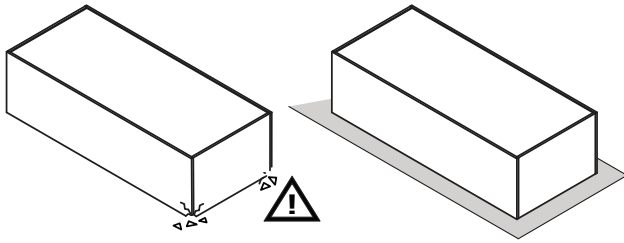
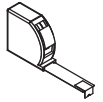
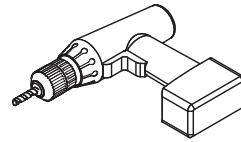
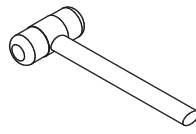
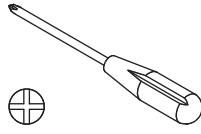
SC4745K56104



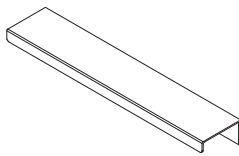
QF4747-3



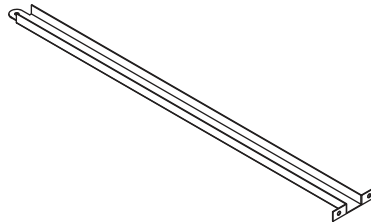
2h



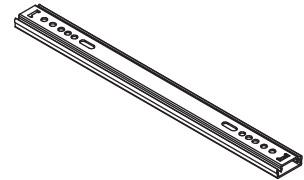
BU3958



M94
x3



W404
x1



A47
x2

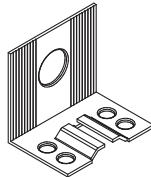
BU3910



H54
x10



V5
x18



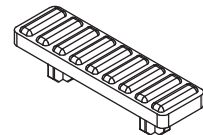
H16
x1



H106
x1



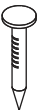
V10
x2



P6
x4



R40
x12



H15
x12



H2
x8



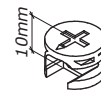
V98
x3



V38
x2



T83
x14



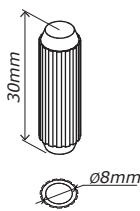
T98
x2



G128
x2



H113
x6



H1
x12



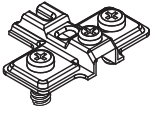
T99
x12



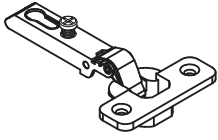
G31
x4



V132
x2



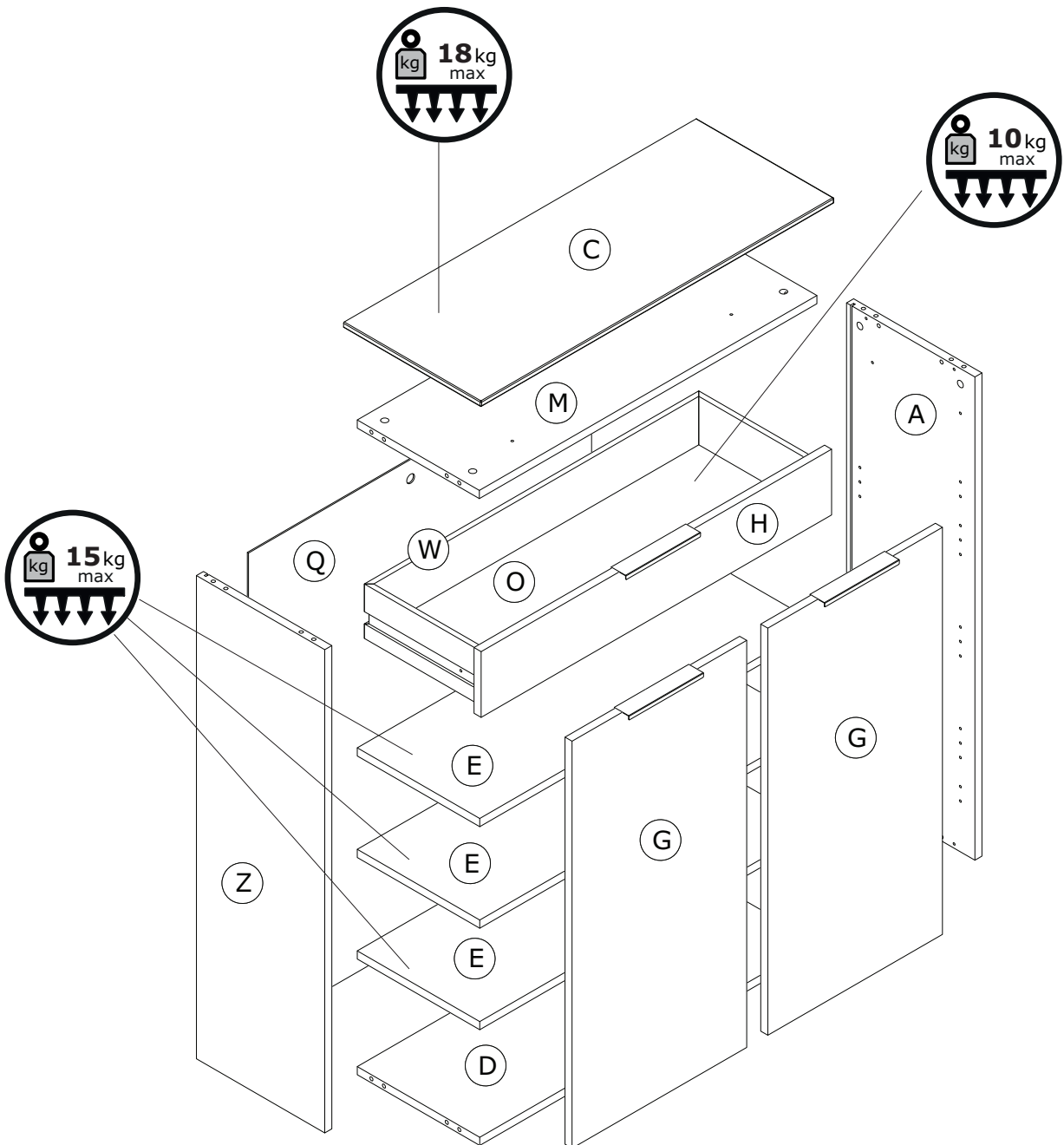
B9
x4

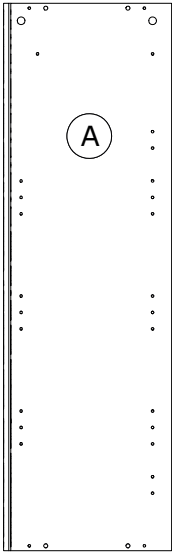


C1
x4

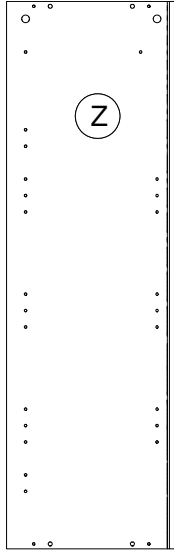


V5
x8

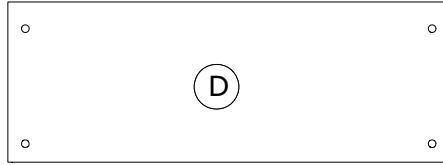




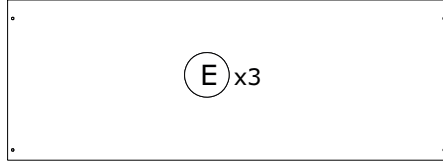
FI8244
1066x327x18mm



FI8246
1066x327x18mm

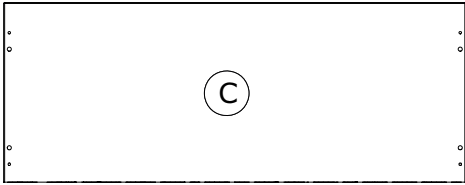


BA2076
860x312x18mm

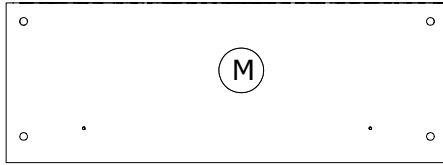


PI6961
860x312x18mm

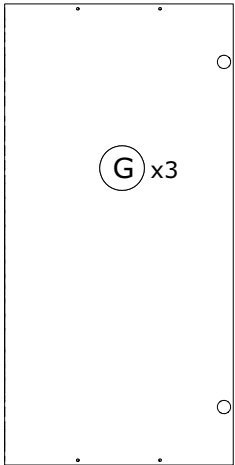
BOX 1/2



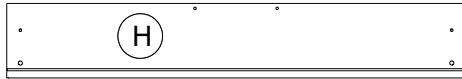
CA3387
900x350x12mm



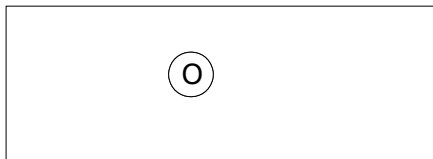
PI6960
860x311x18mm



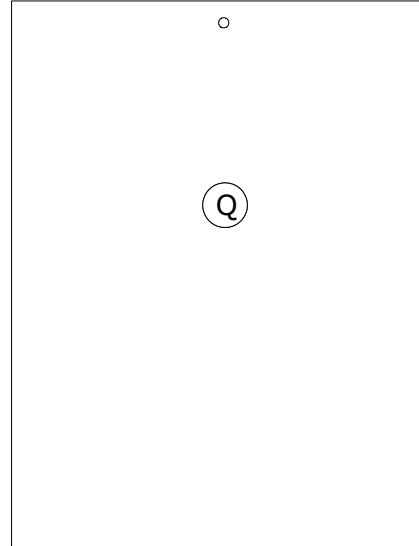
AN2693
898x445x18mm



CS3032
893x145x18mm



SH3657
839x301x2mm



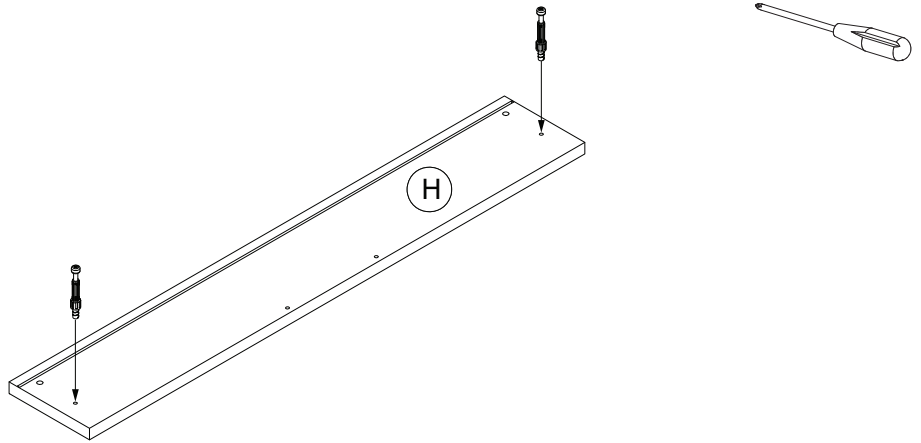
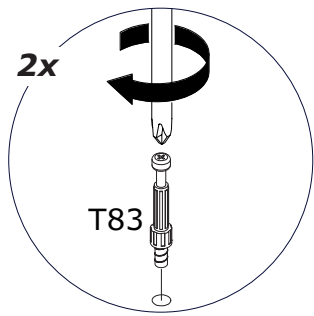
SS0688
1063x874x3mm



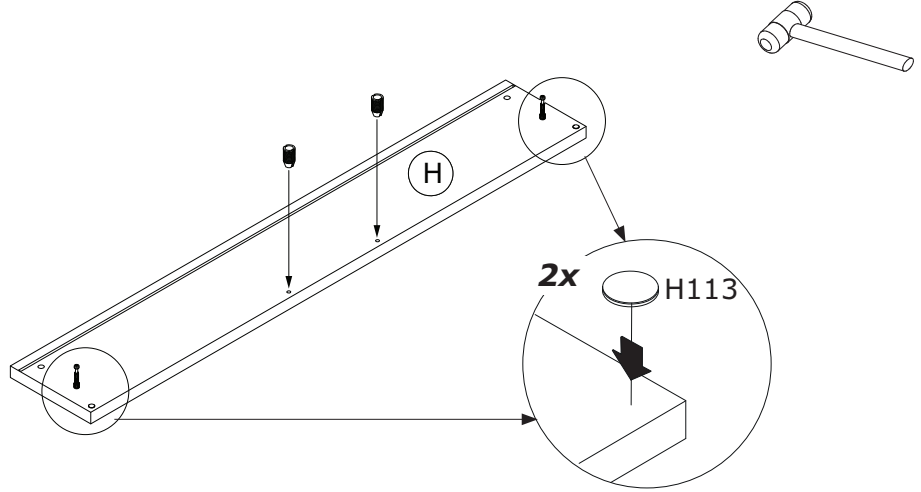
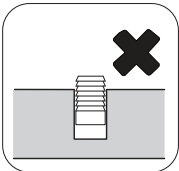
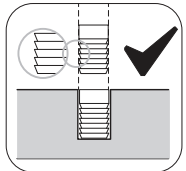
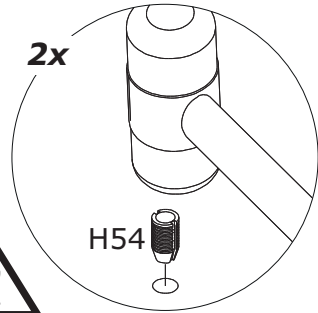
OF0685
300x852x300mm H. 120mm

BOX 2/2

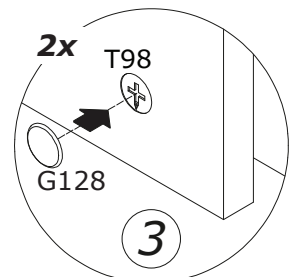
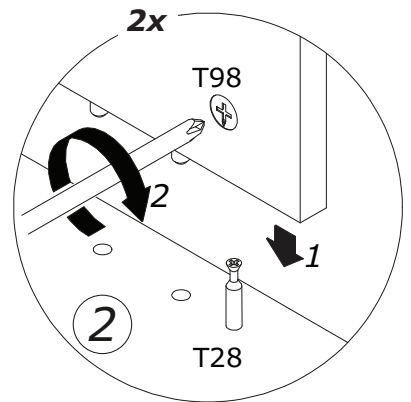
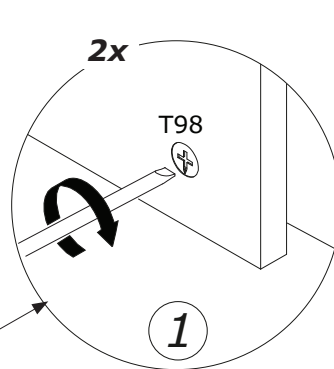
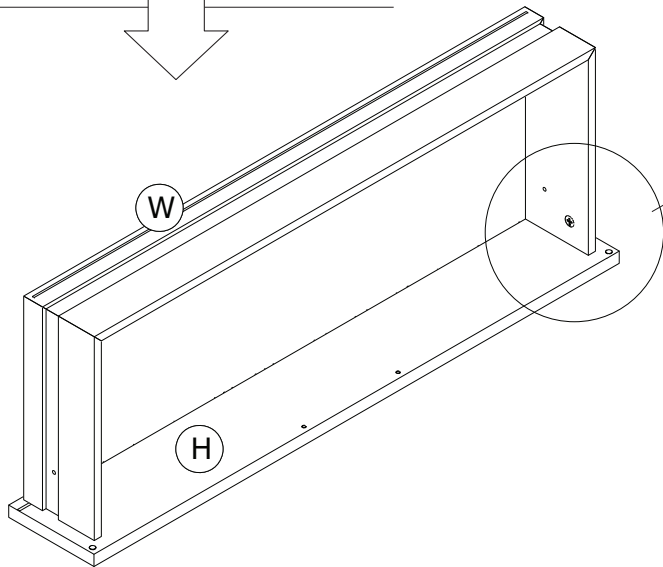
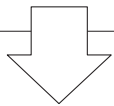
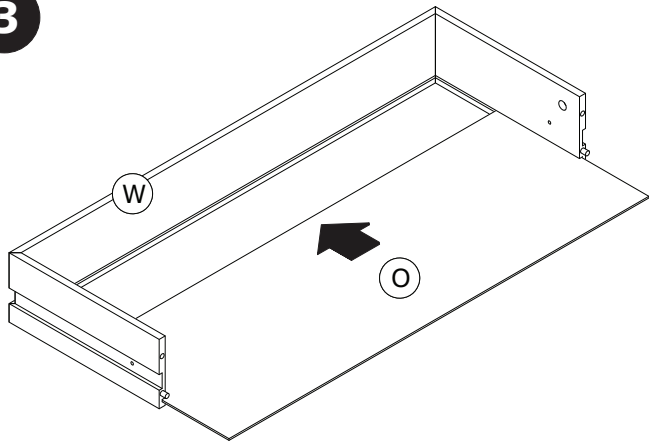
1

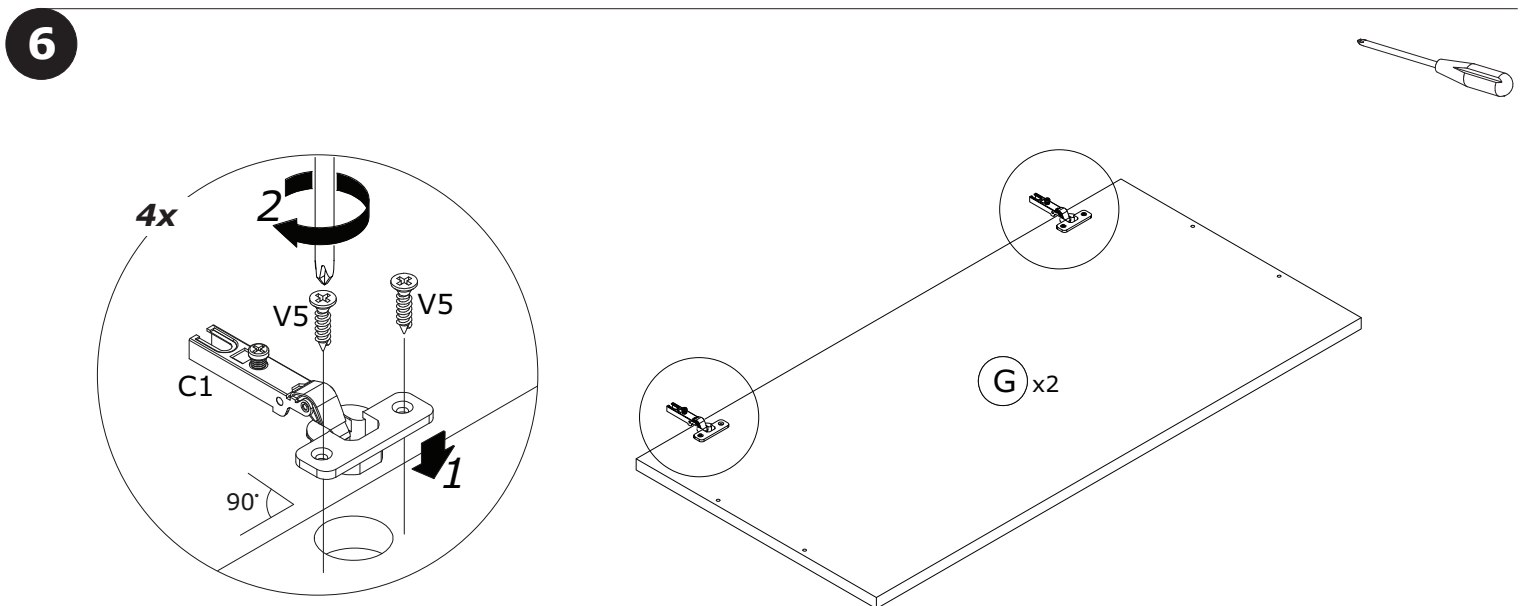
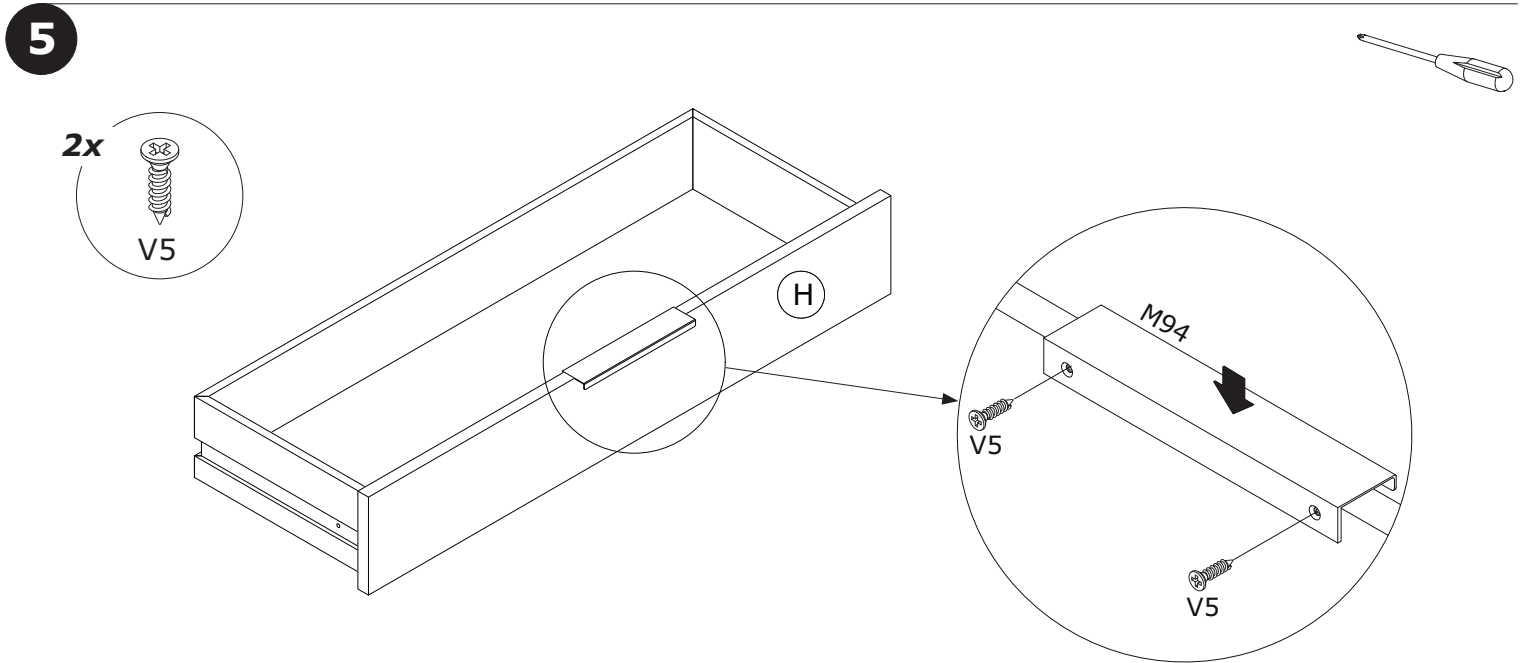
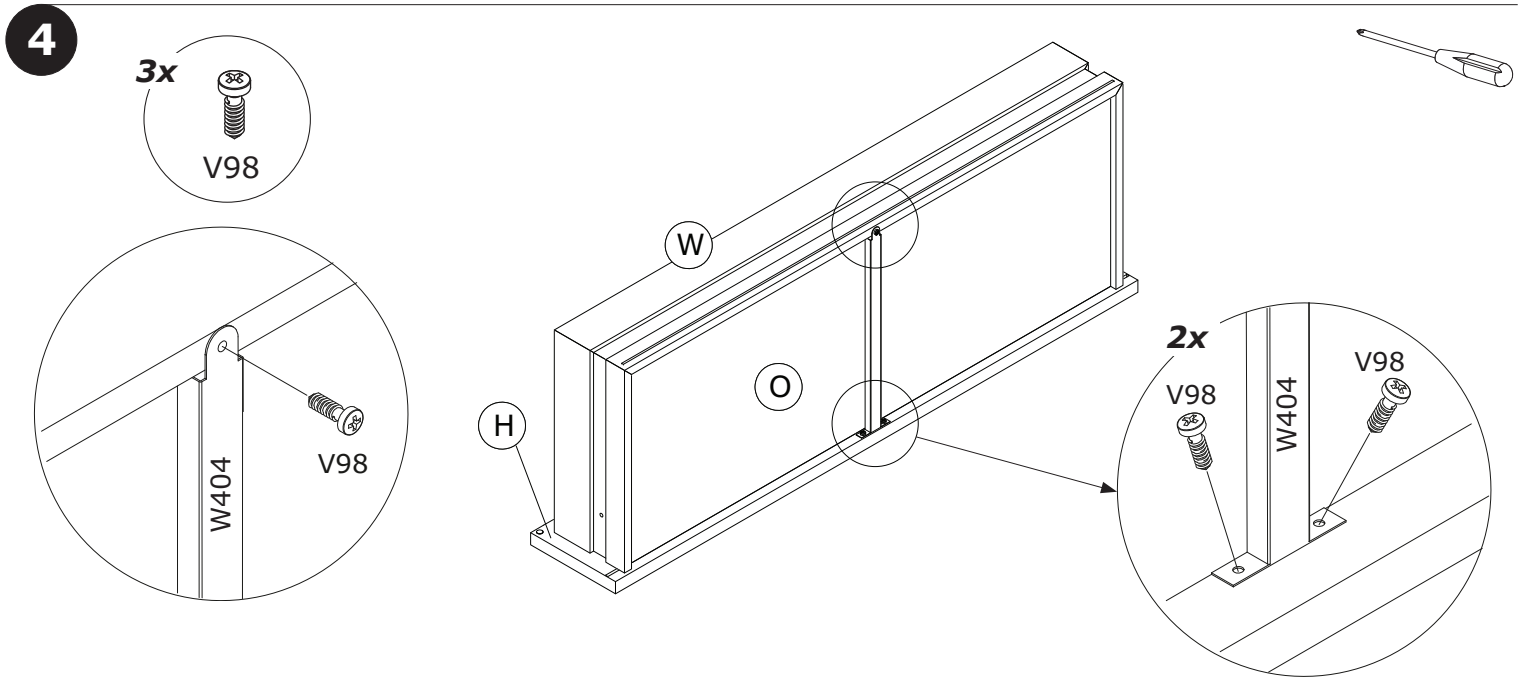


2

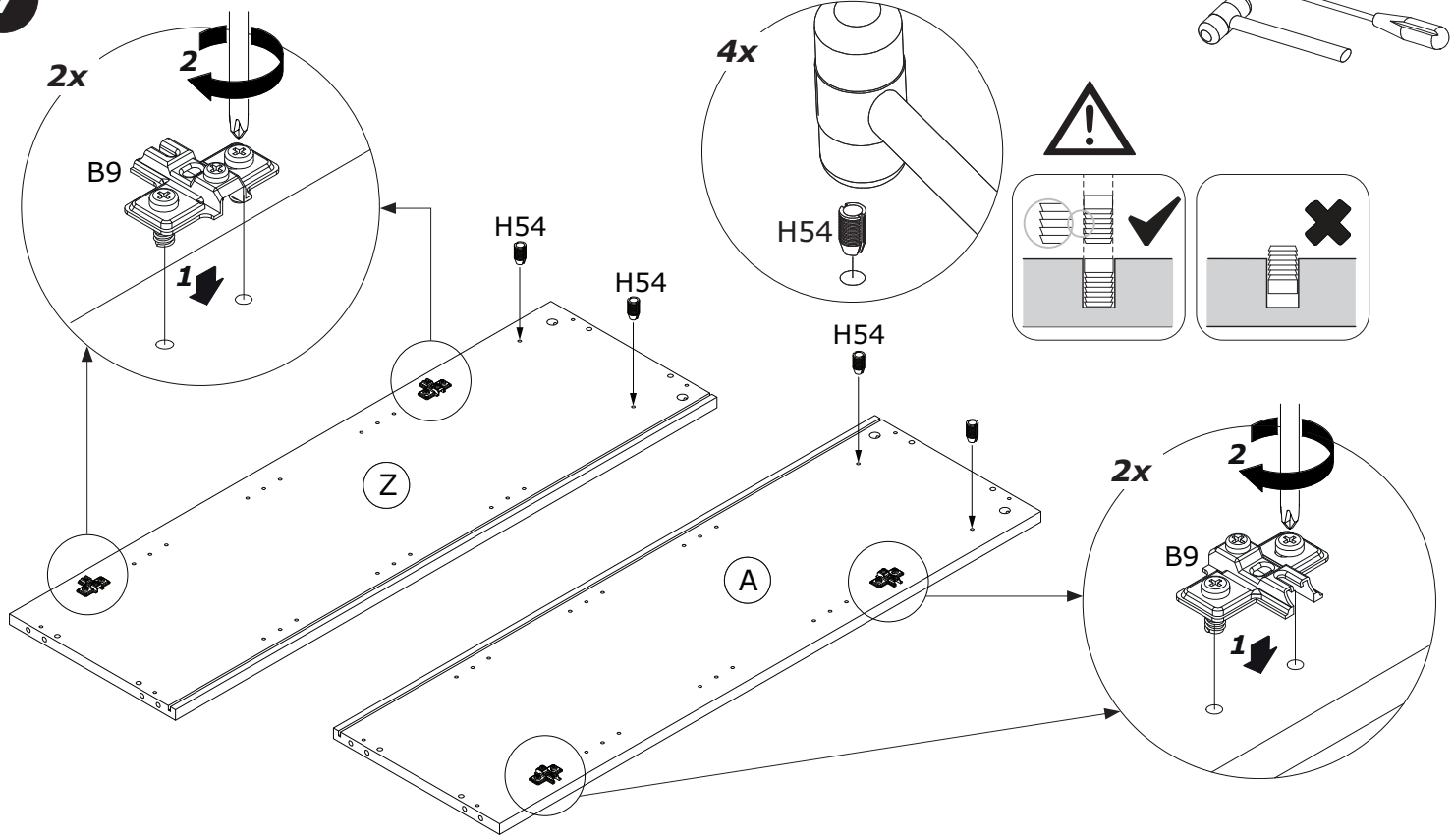


3

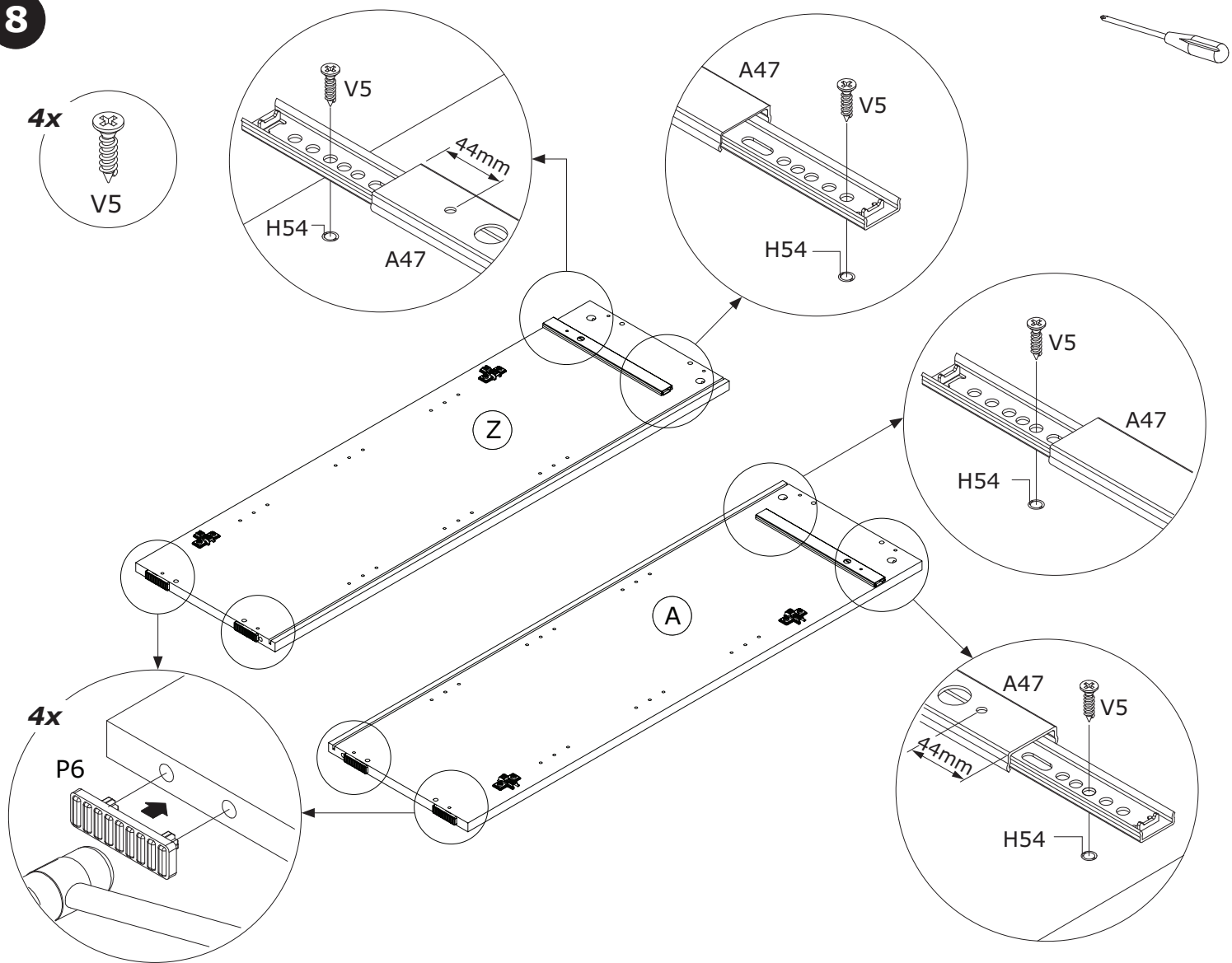




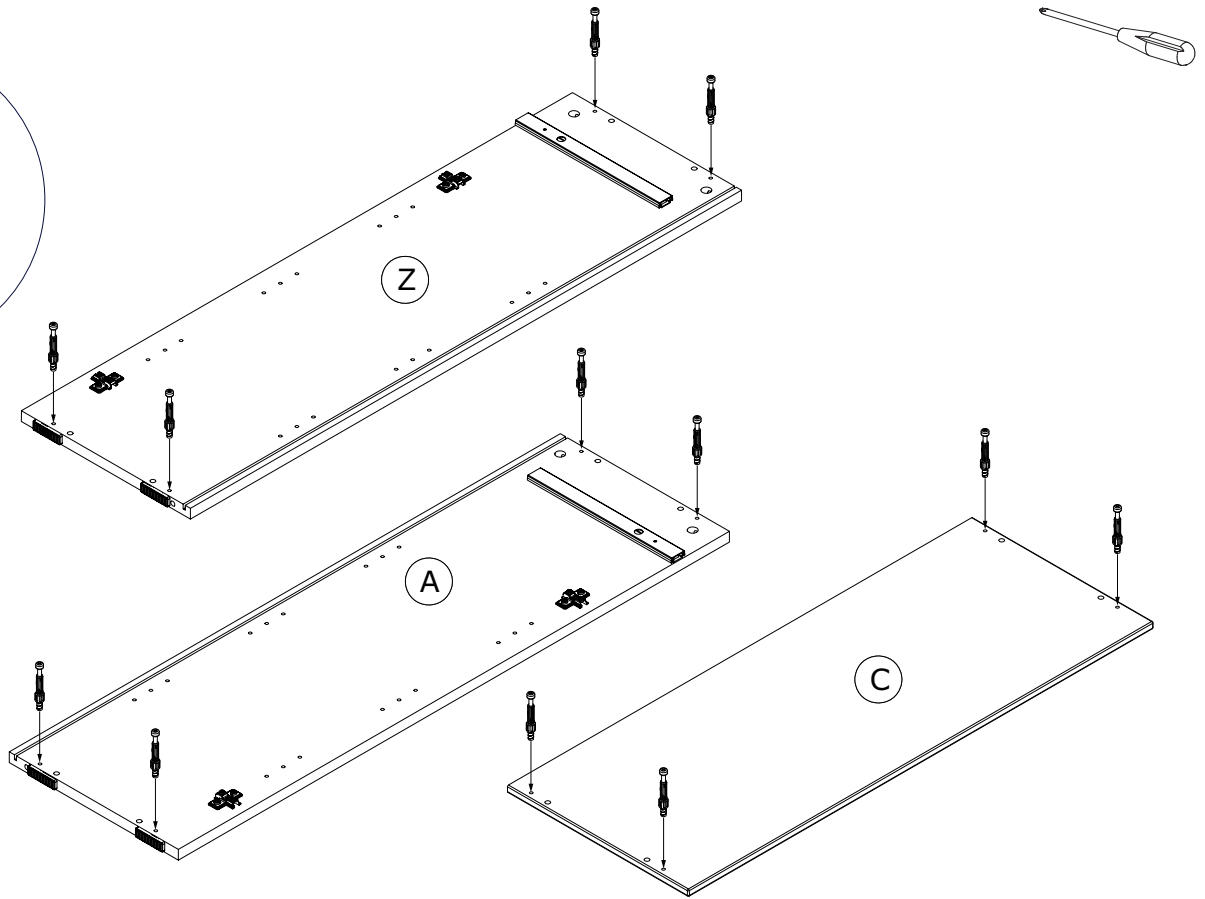
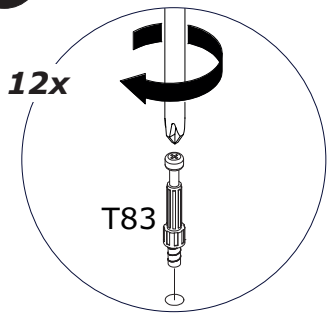
7



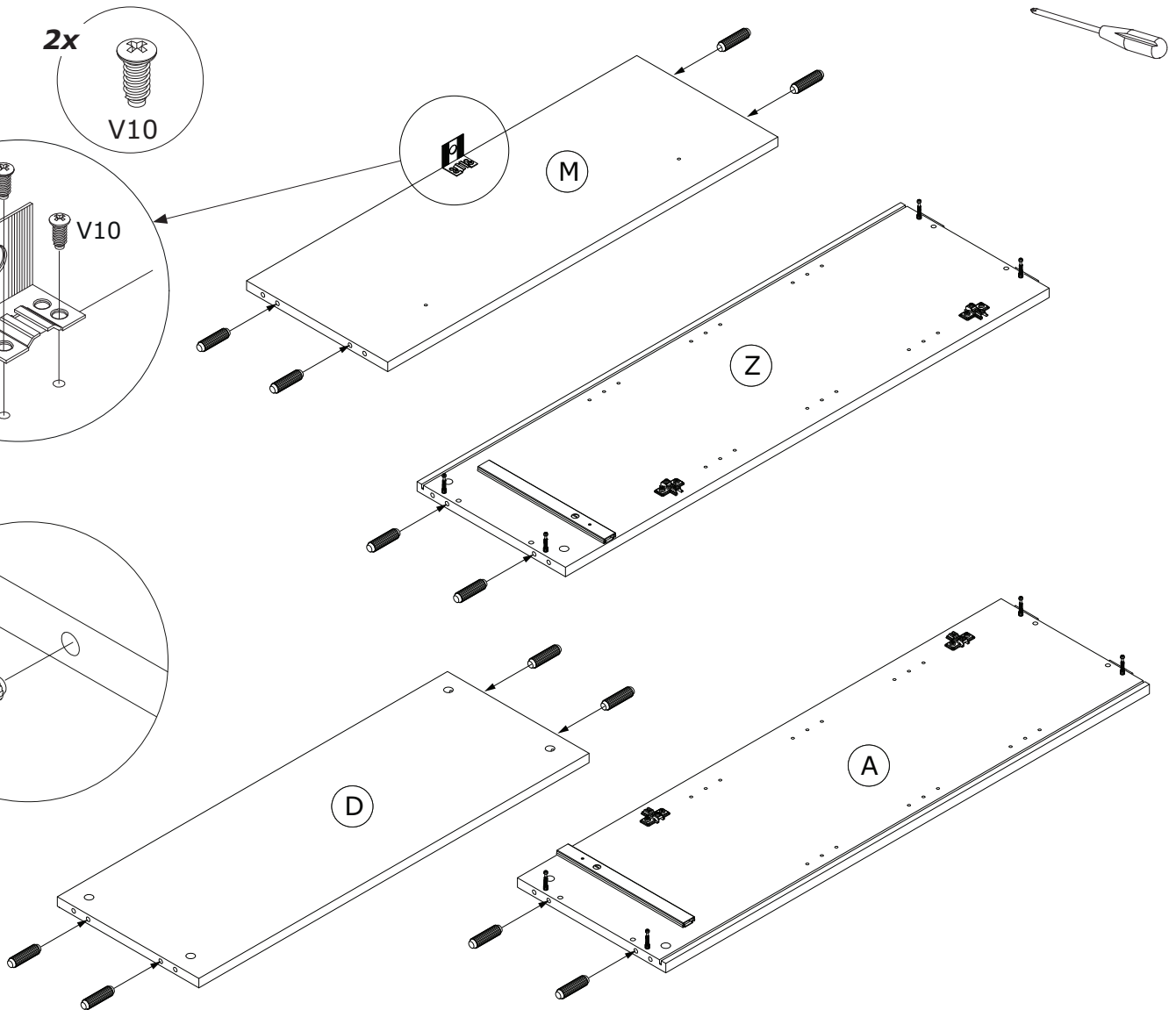
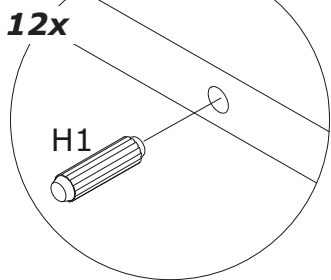
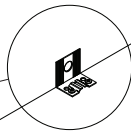
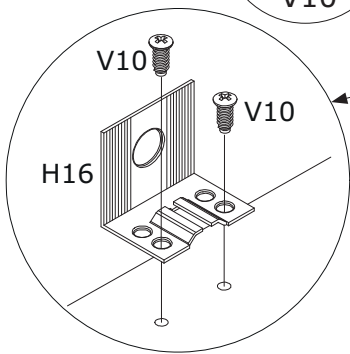
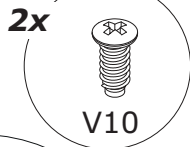
8



9



10



11

