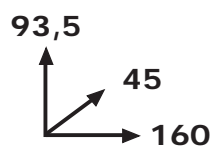
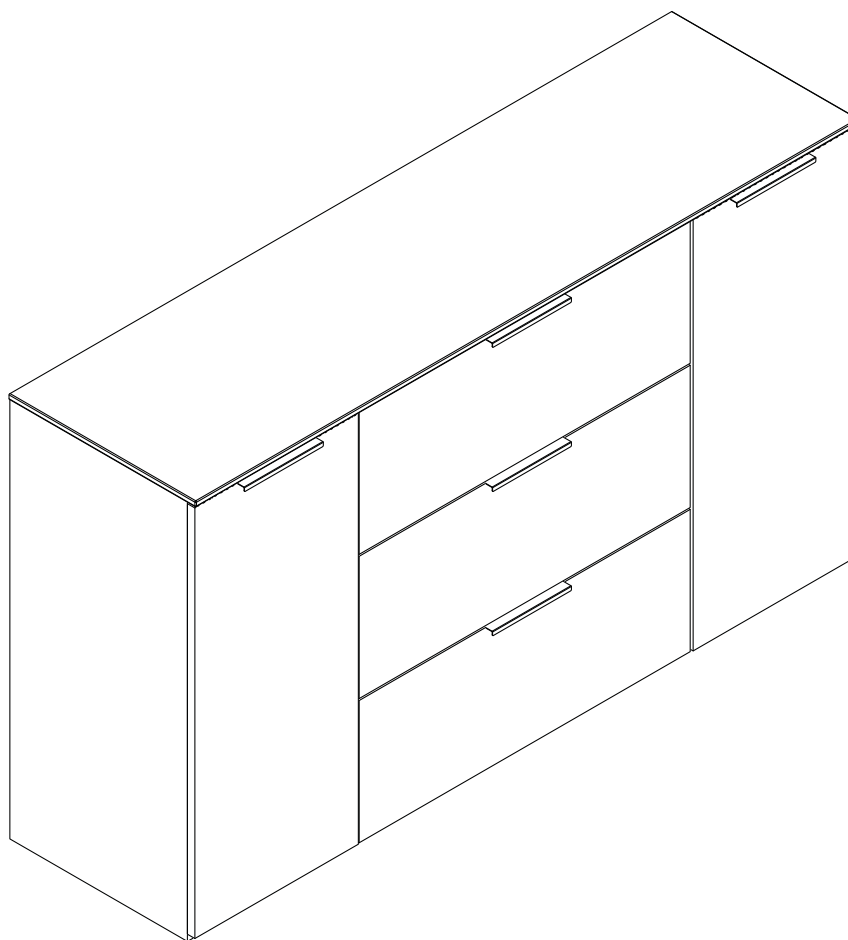
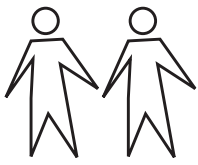


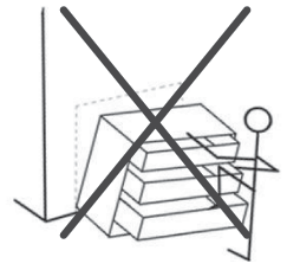
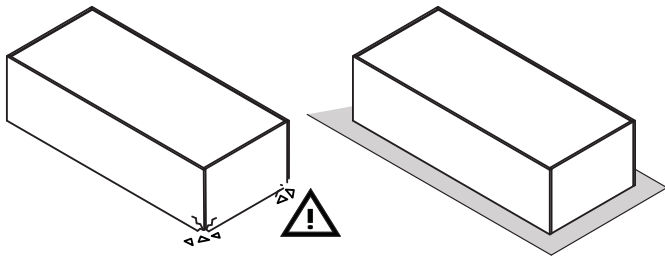
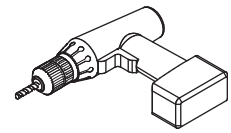
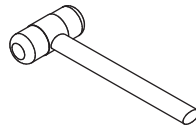
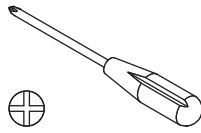
BS4635K56104



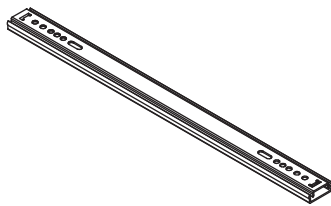
QF4489-2



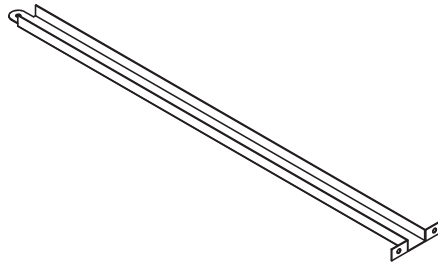
1,5h



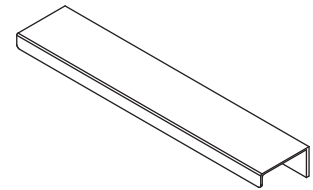
BU3031



A34
x6

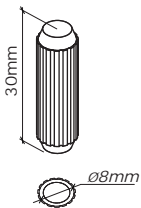


W398
x3



M94
x5

BU3656



H1
x22



V5
x28



H2
x6



H14
x2



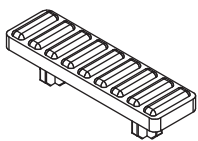
V38
x6



H113
x10



H54
x22



P6
x6



T83
x30



T99
x18



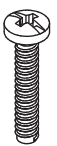
H15
x46



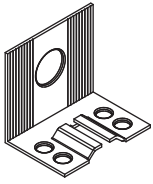
T98
x12



G136
x12



V7
x6



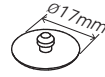
H16
x1



V10
x2



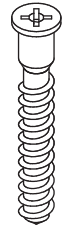
V98
x9



G57
x4



R1
x16



V45
x4

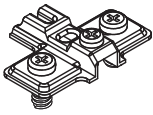


H106
x1

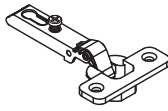


G31
x4

BU0347



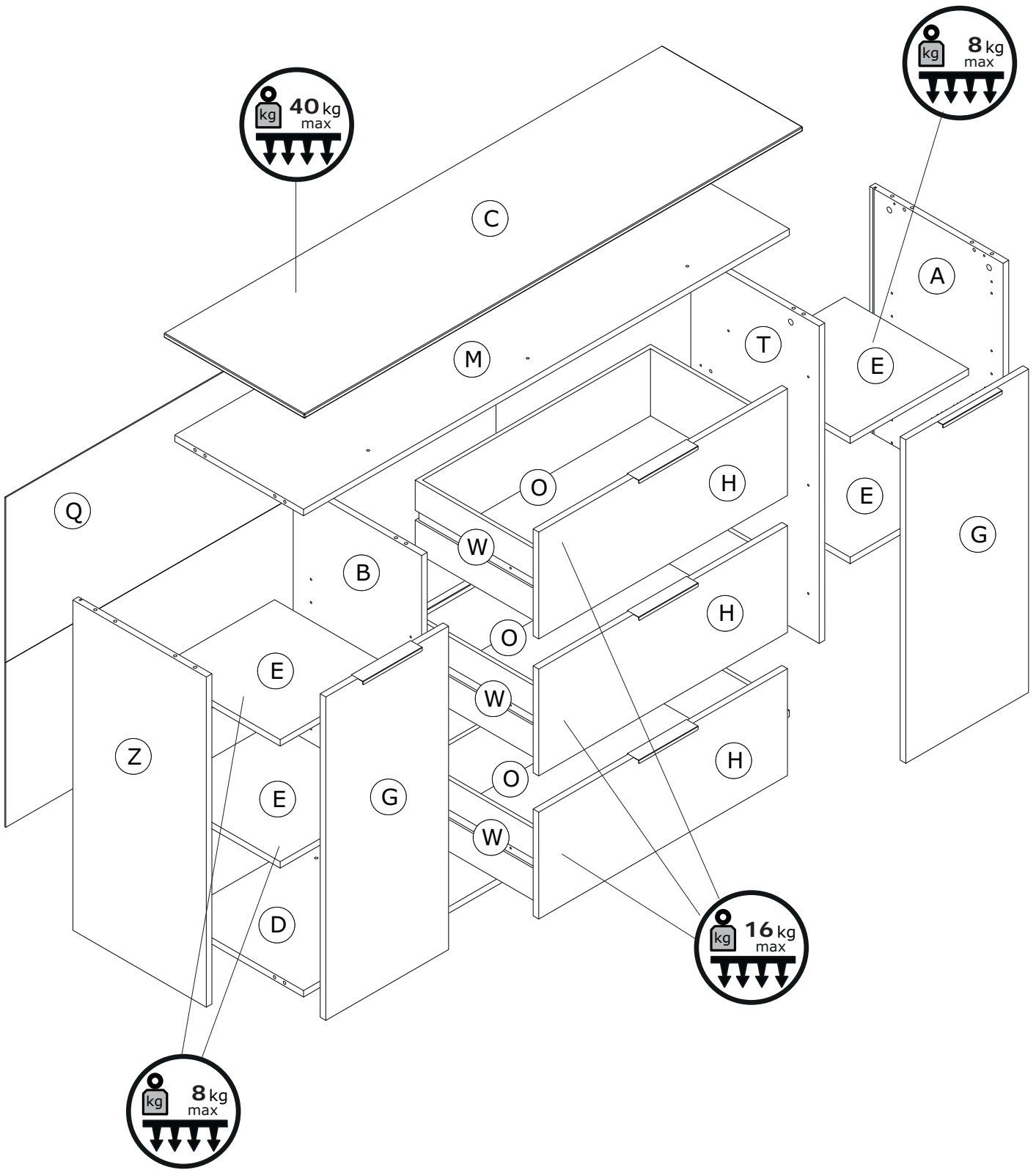
B9
x4

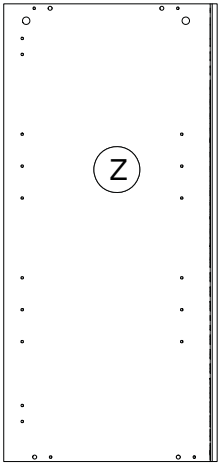


C1
x4

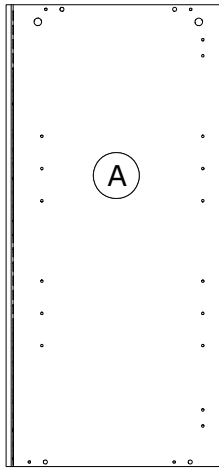


V5
x8

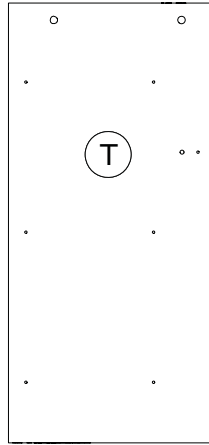




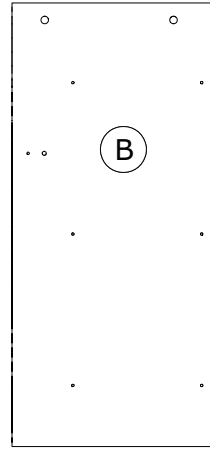
FI7868
918x428x18mm



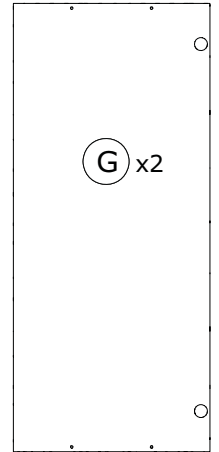
FI7866
918x428x18mm



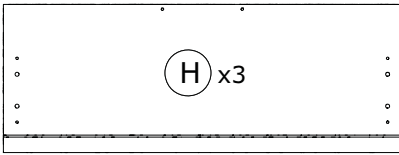
TR1974
882x412x18mm



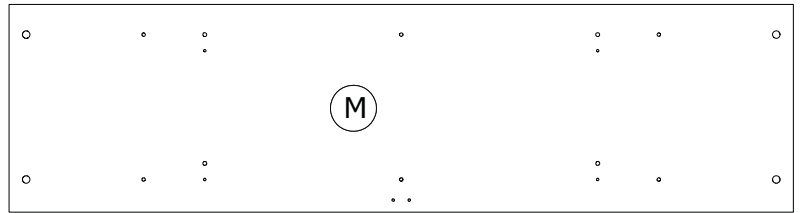
TR1973
882x412x18mm



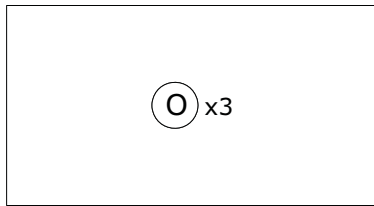
AN2538
899x394x18mm



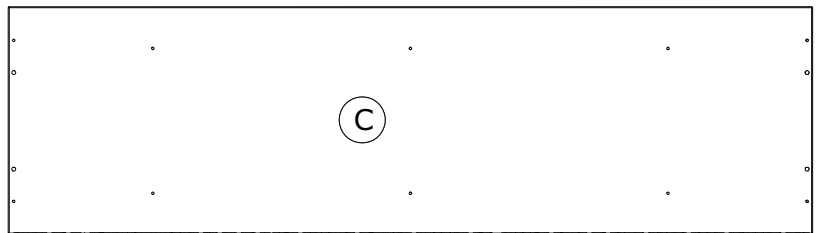
CS2750
798x297x18mm



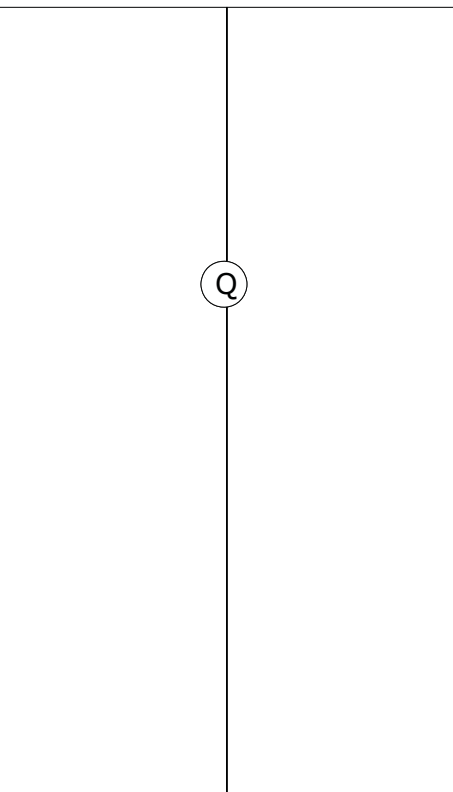
PI6747
1559x413x18mm



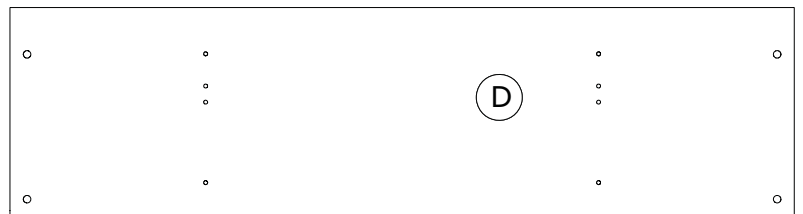
SH3270
742x401x3mm



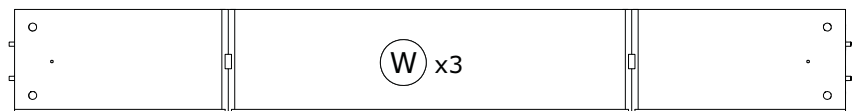
CA3230
1599x450x12mm



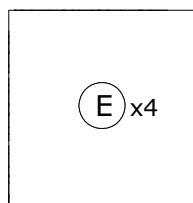
SH3007
1573x917x3mm



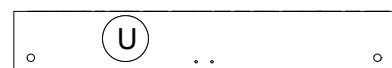
PI6748
1559x413x18mm



OF0705
400x755x400mm H.200mm

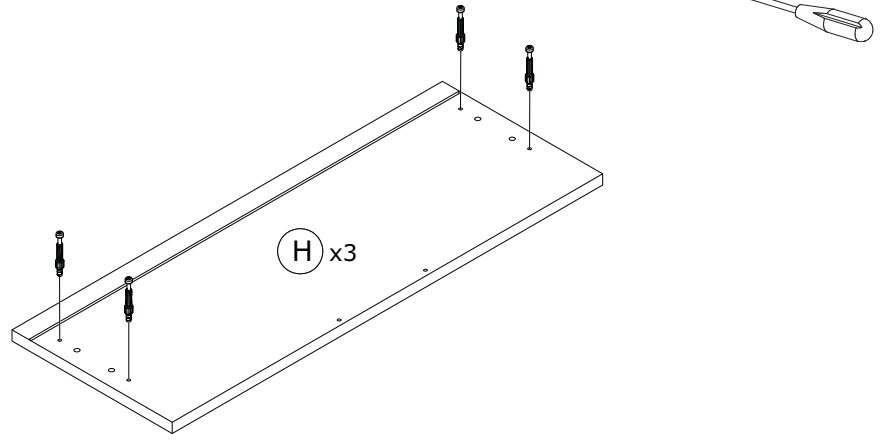
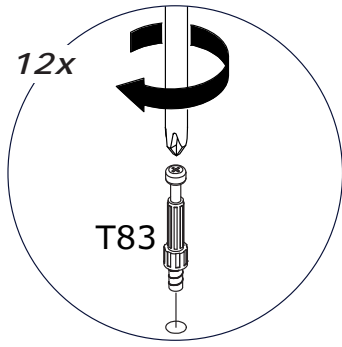


PI6749
380x398x18mm

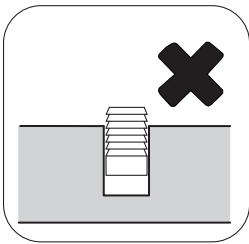
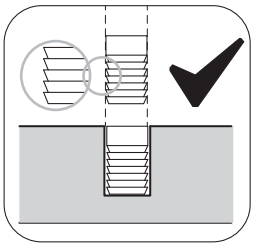
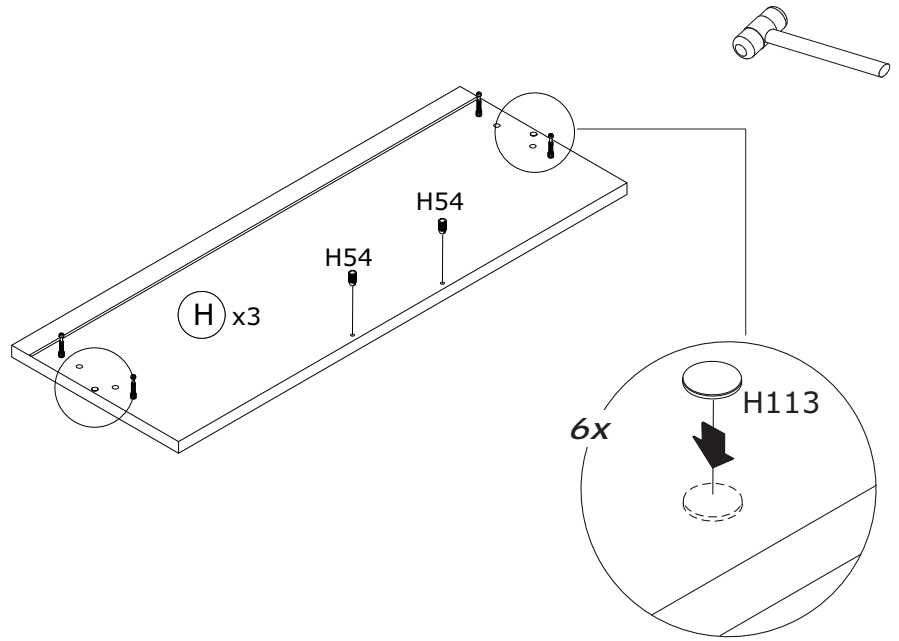
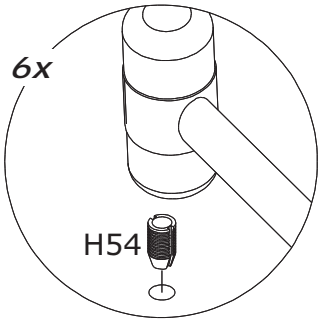


FS2853
763x125x18mm

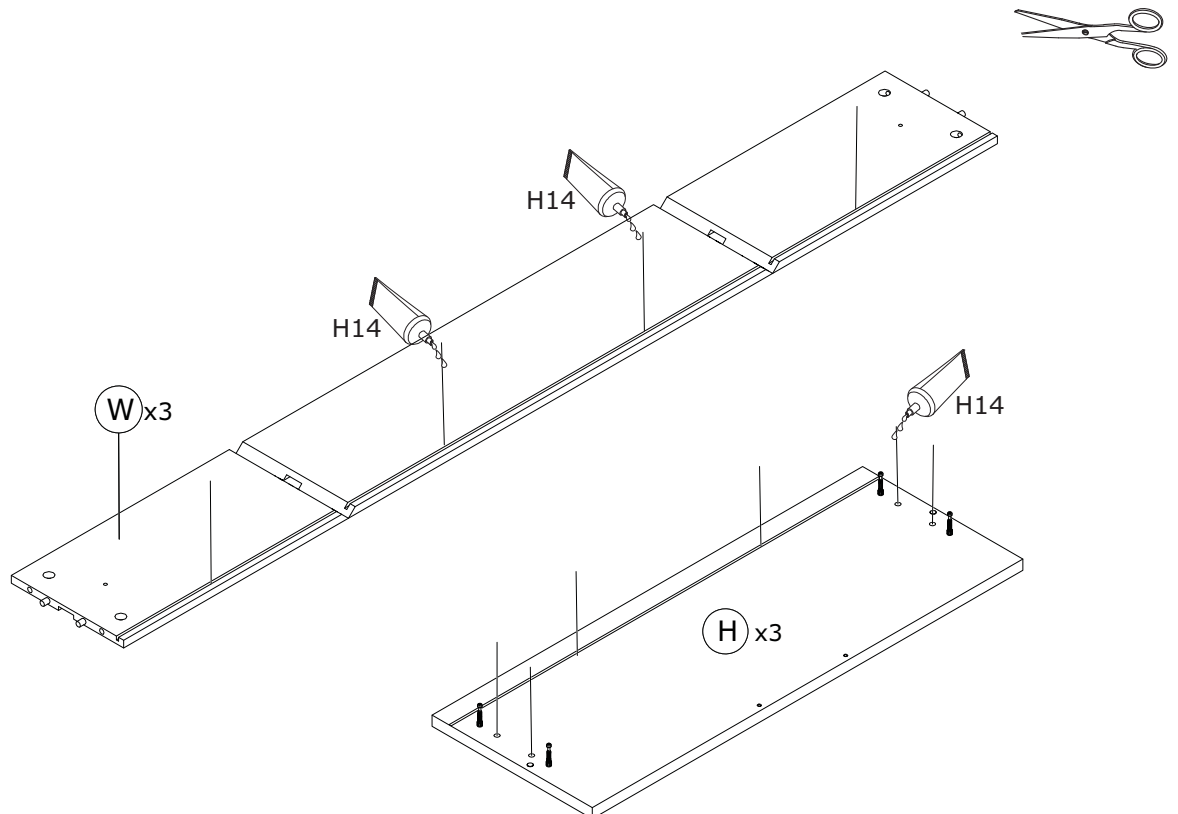
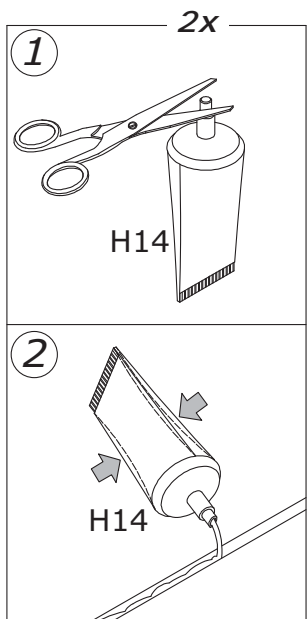
1



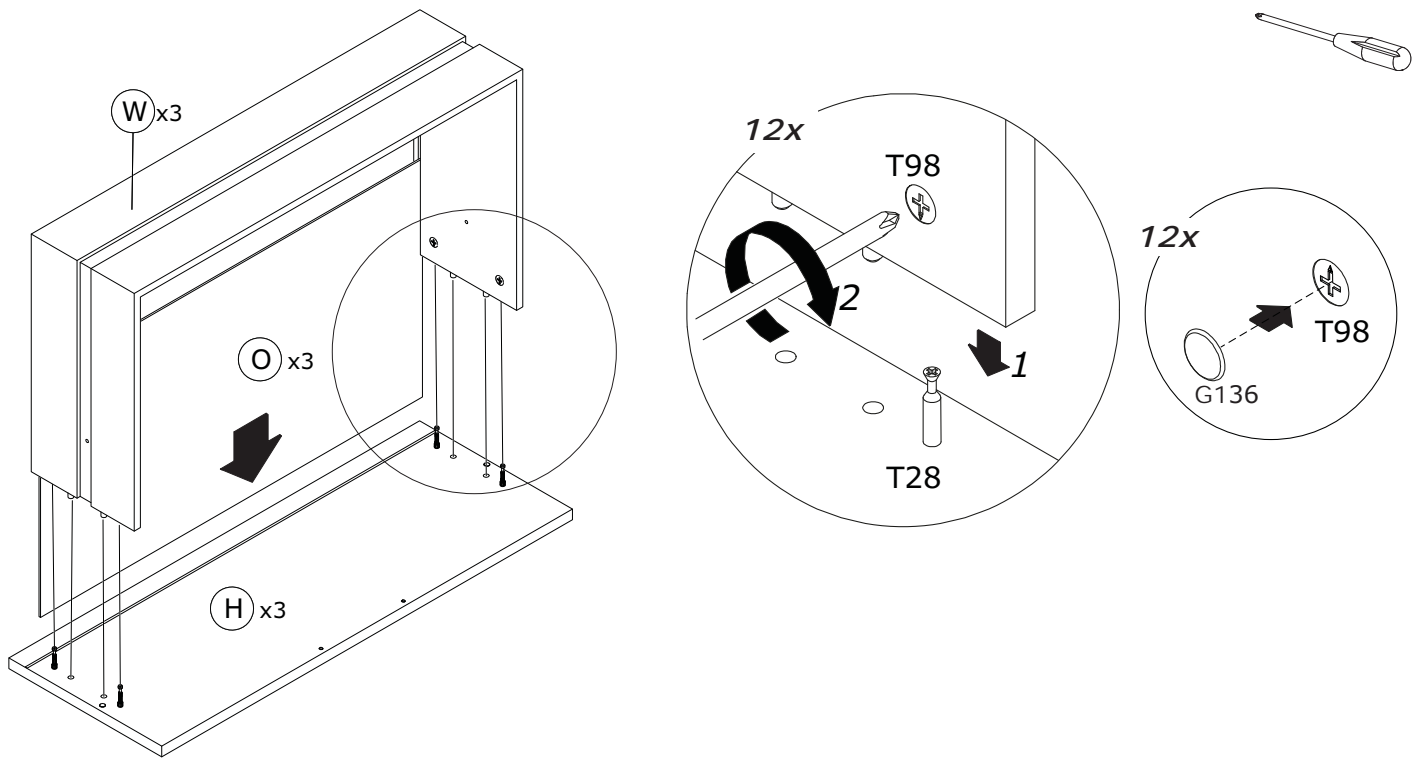
2



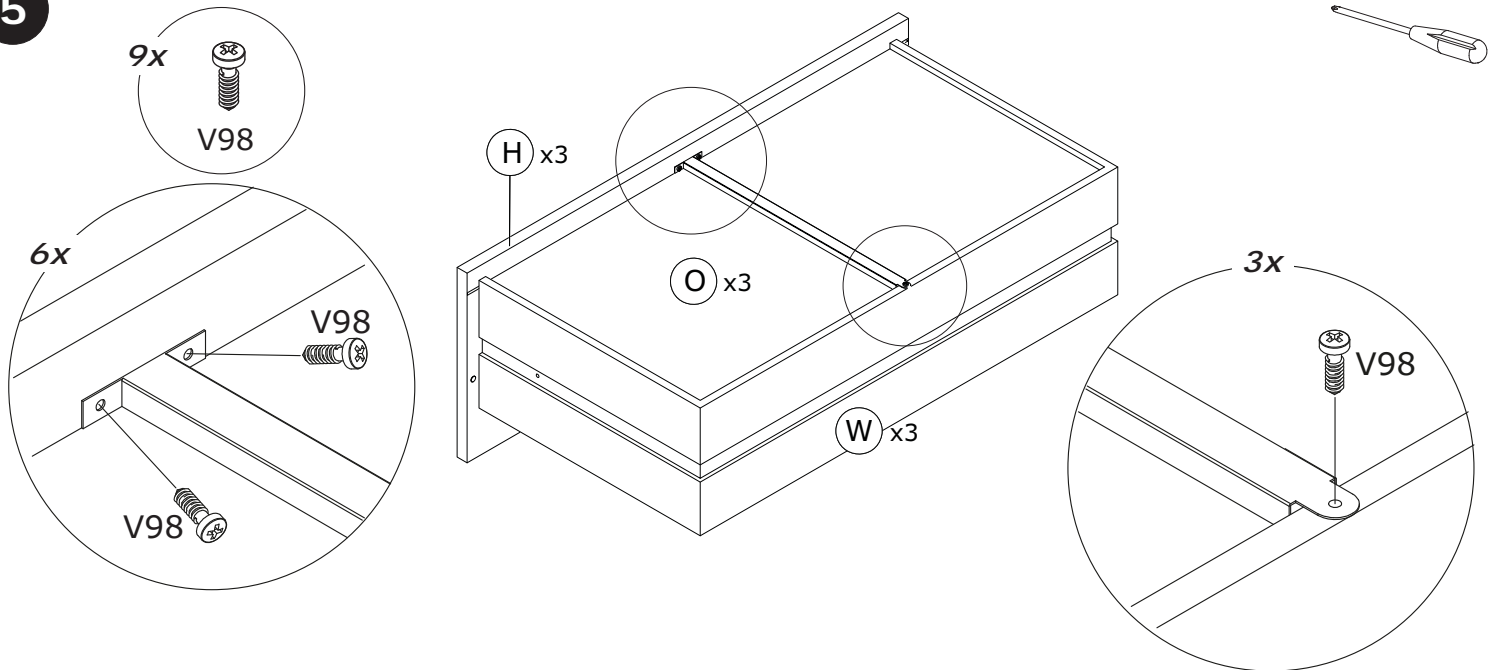
3



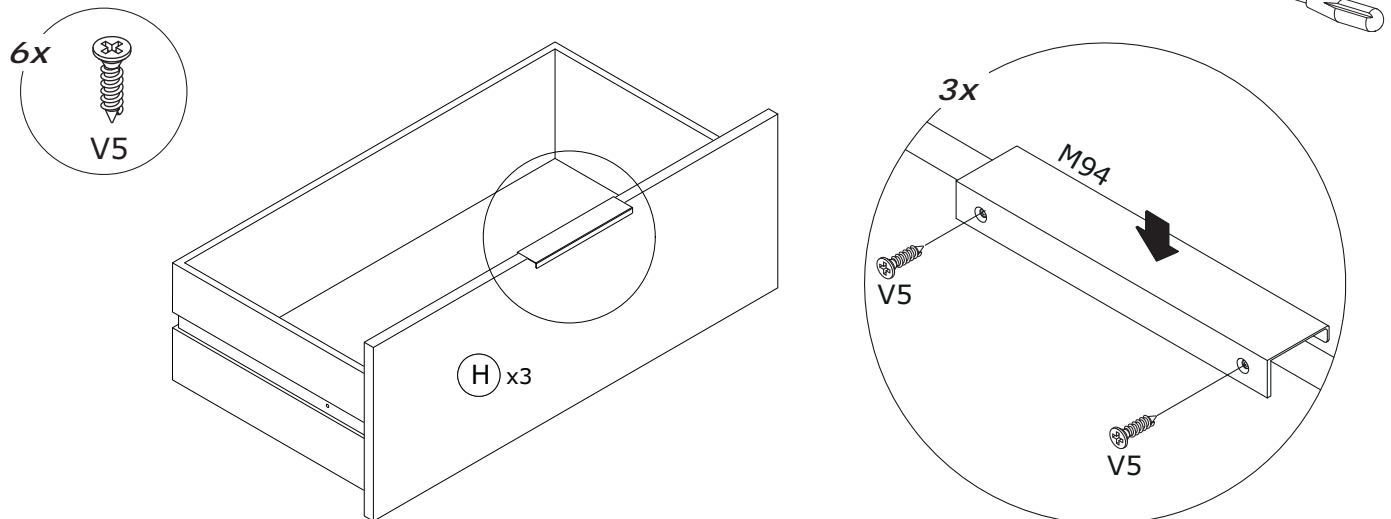
4



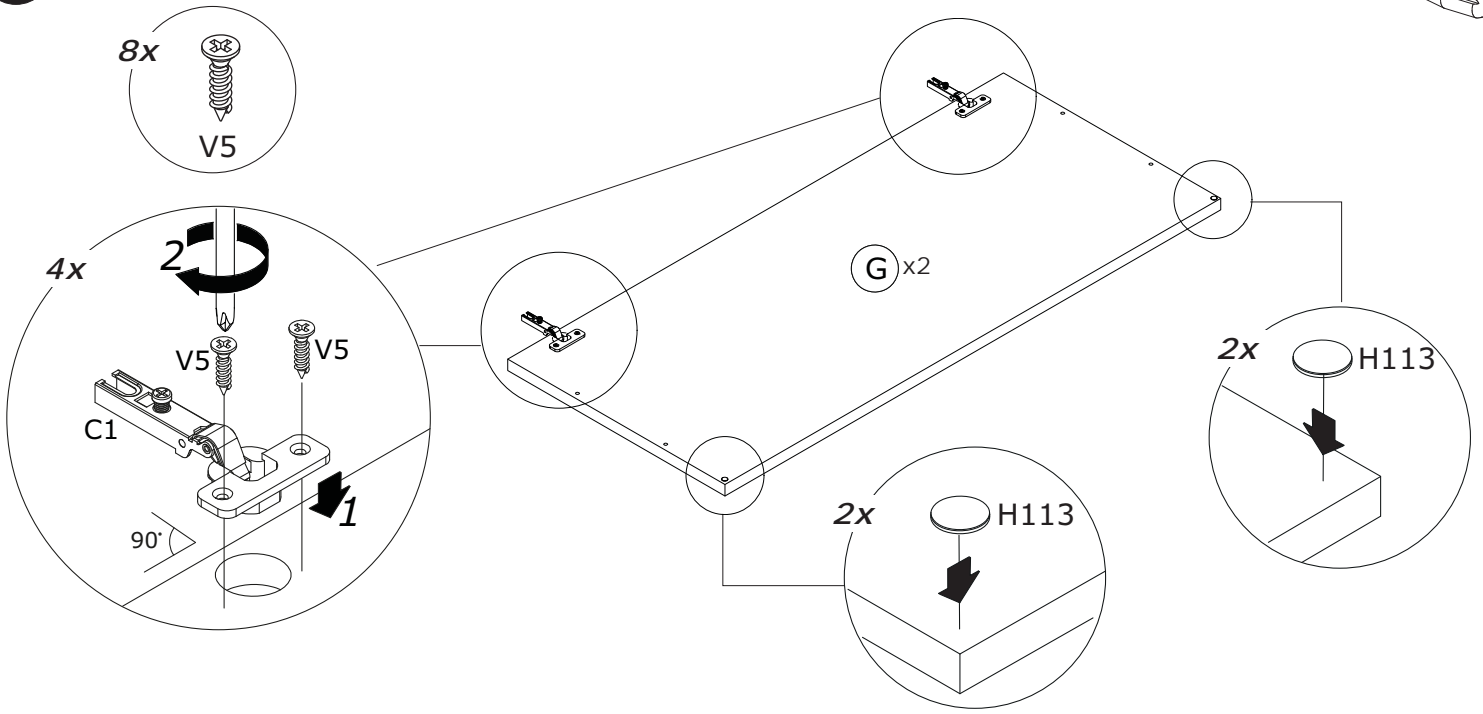
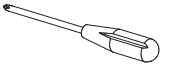
5



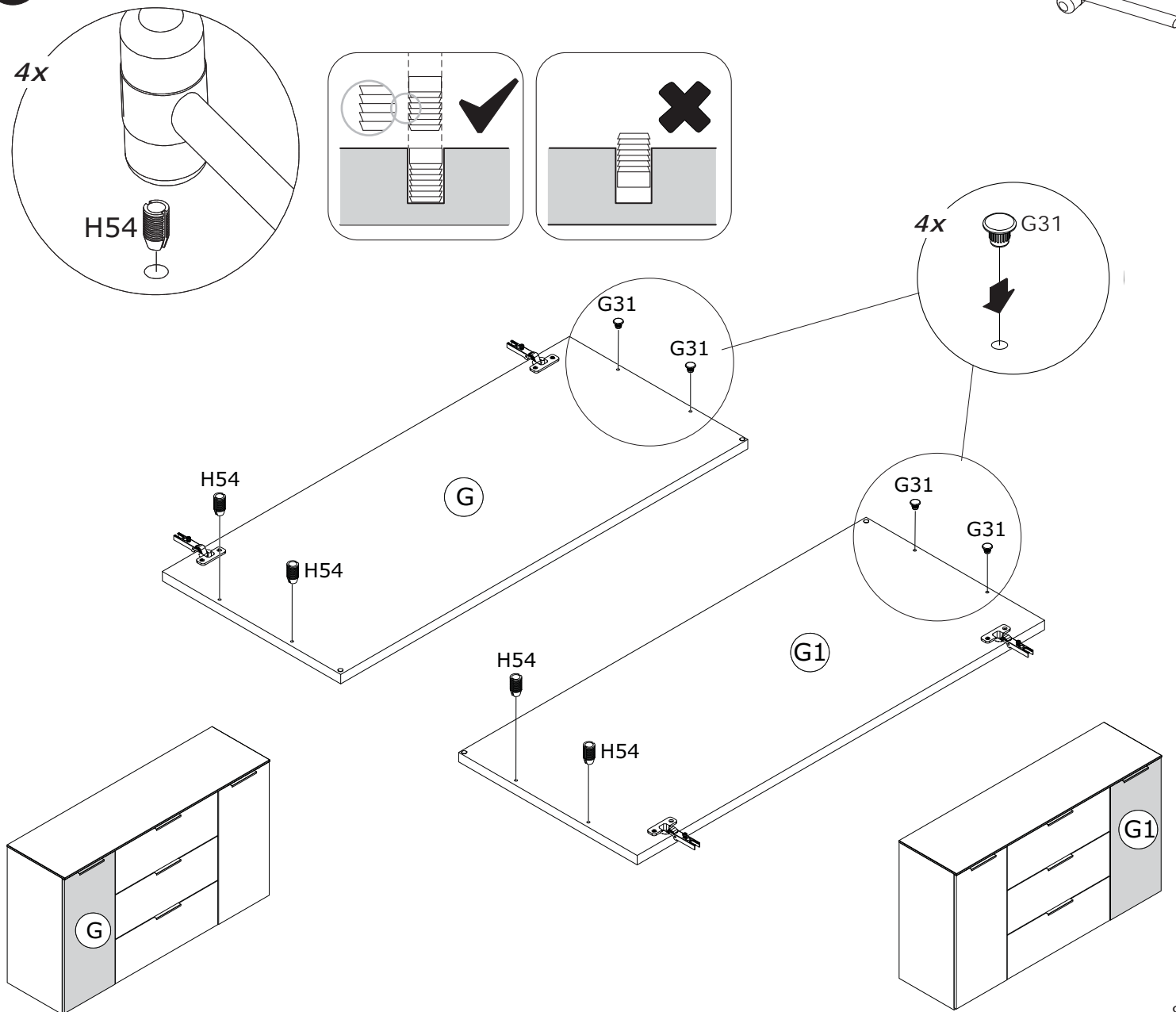
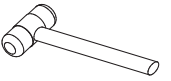
6



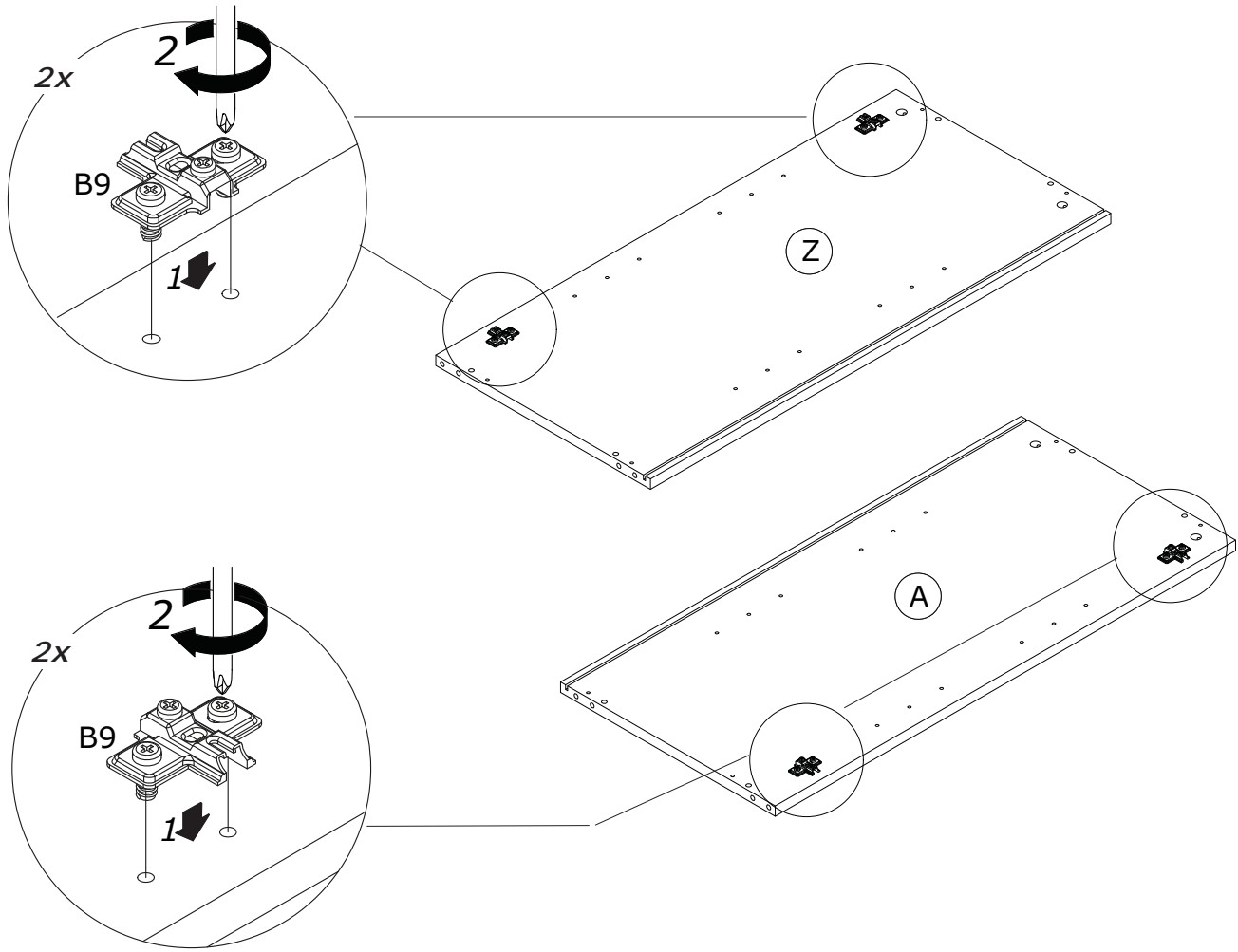
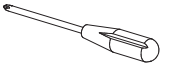
7



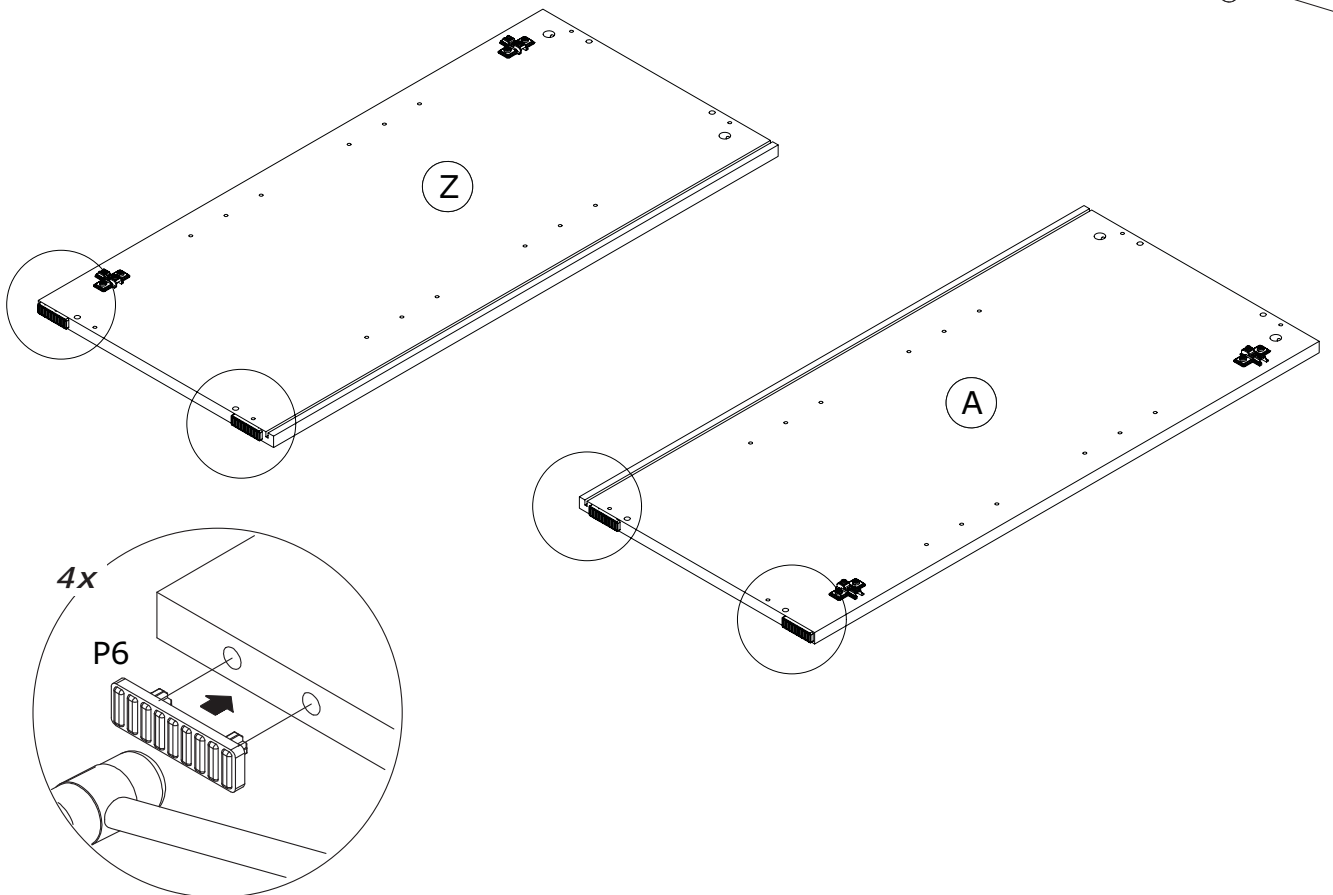
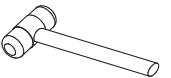
8



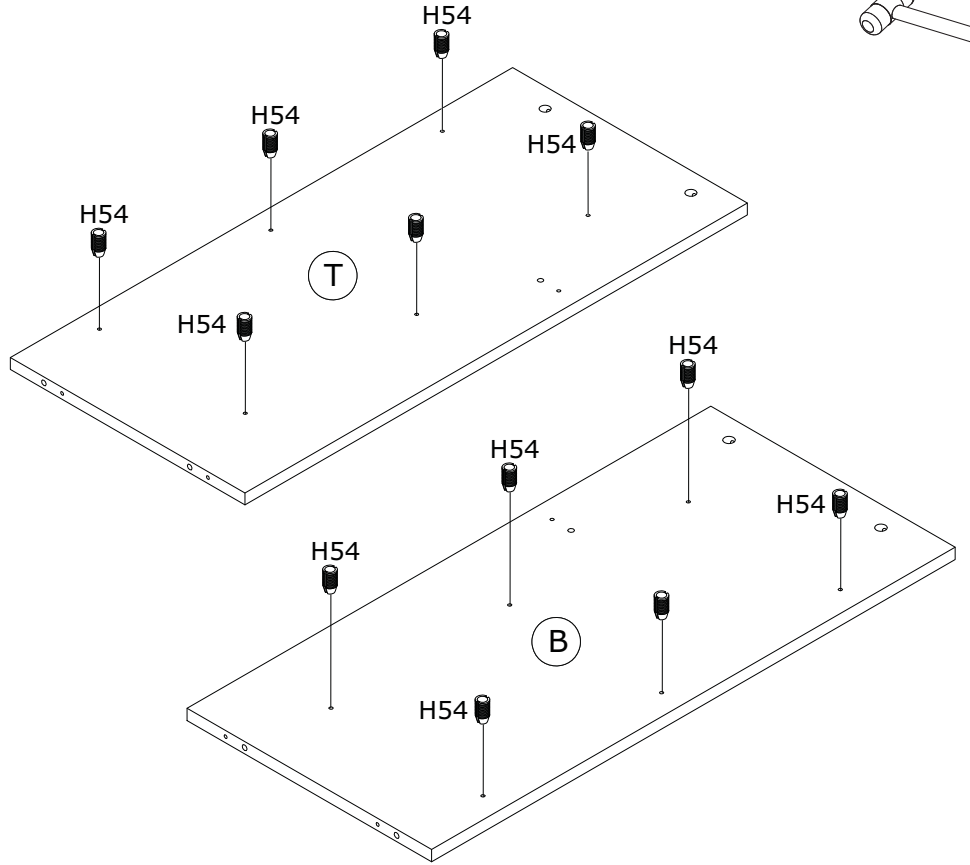
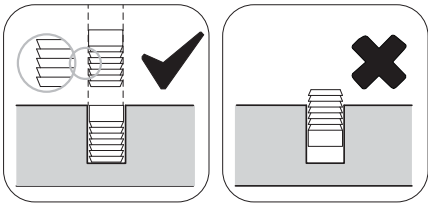
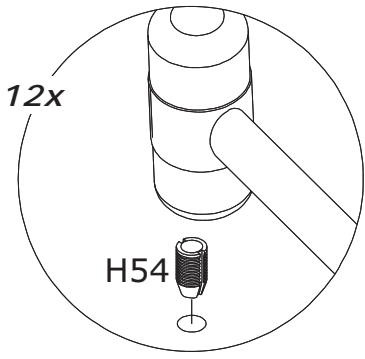
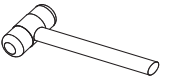
9



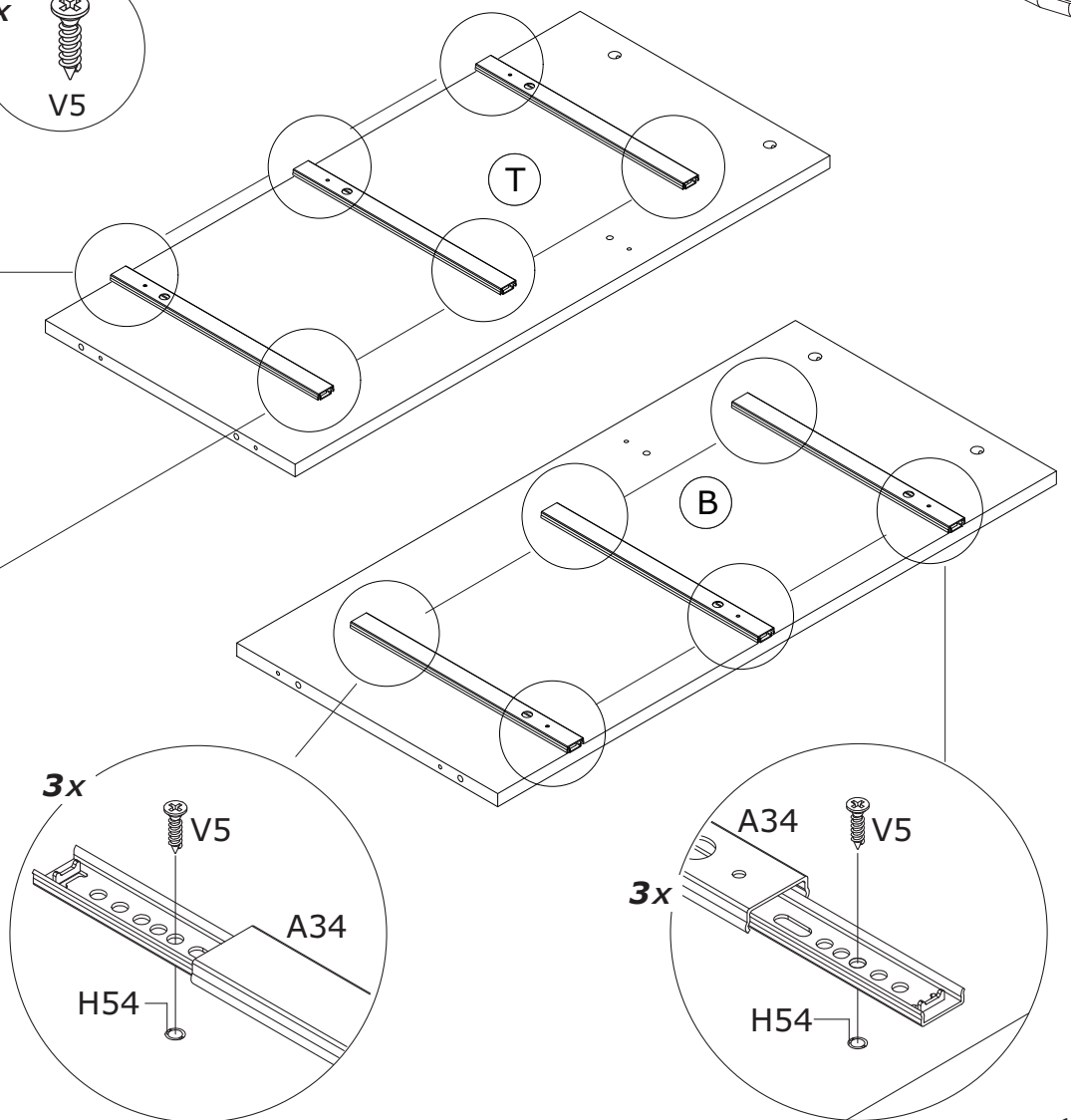
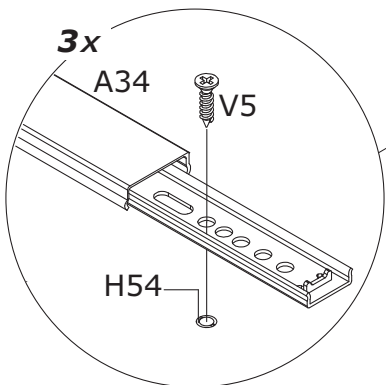
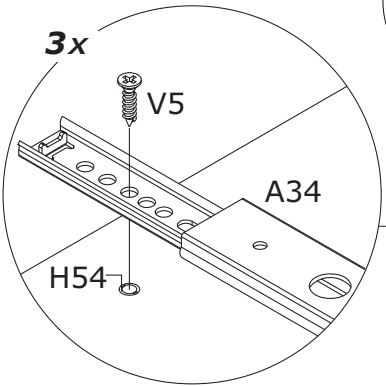
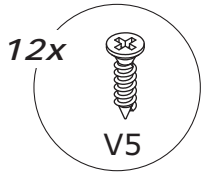
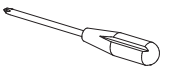
10

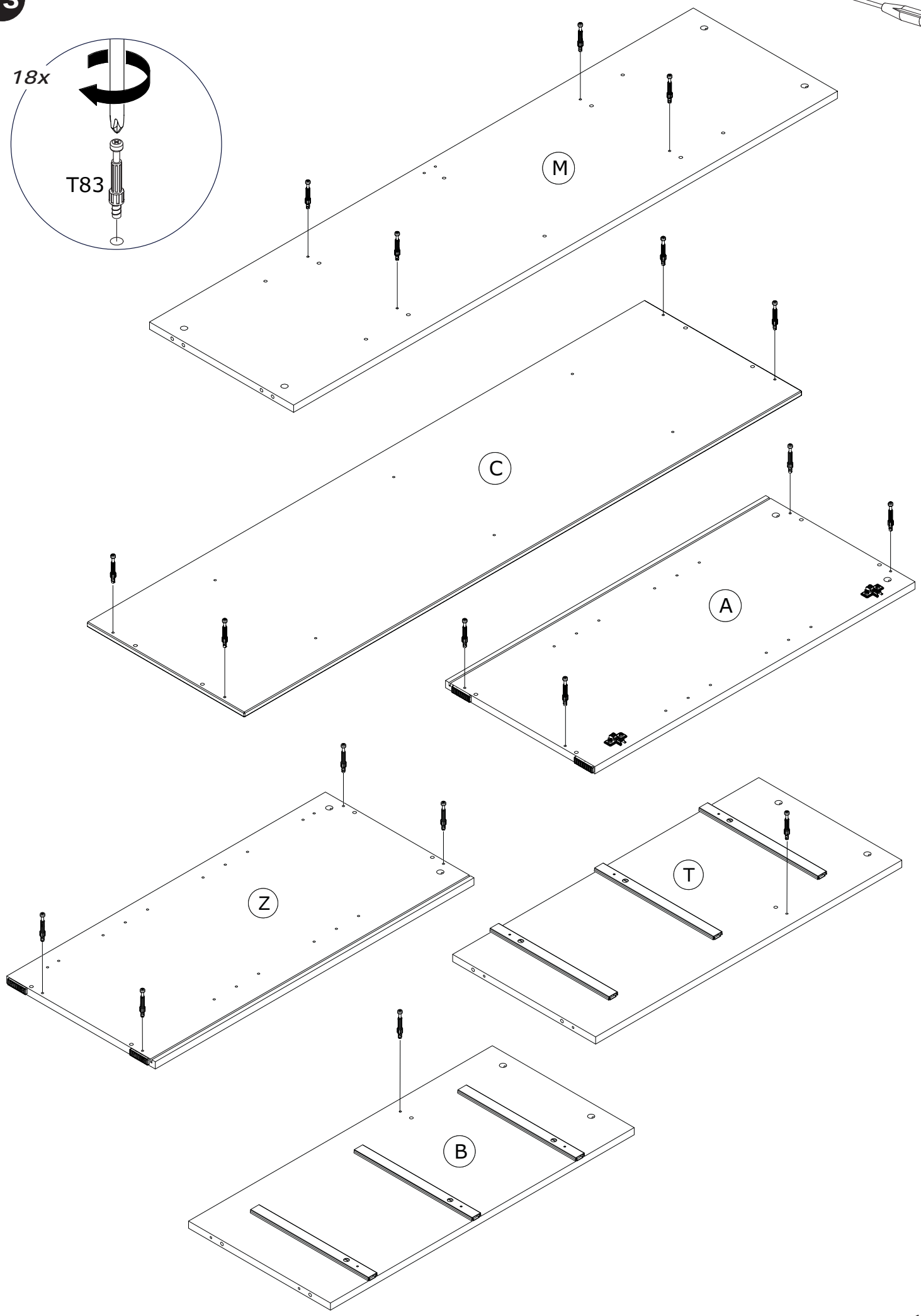
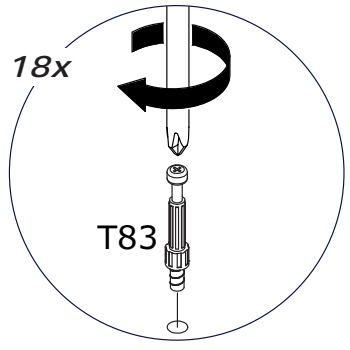
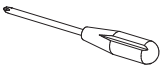


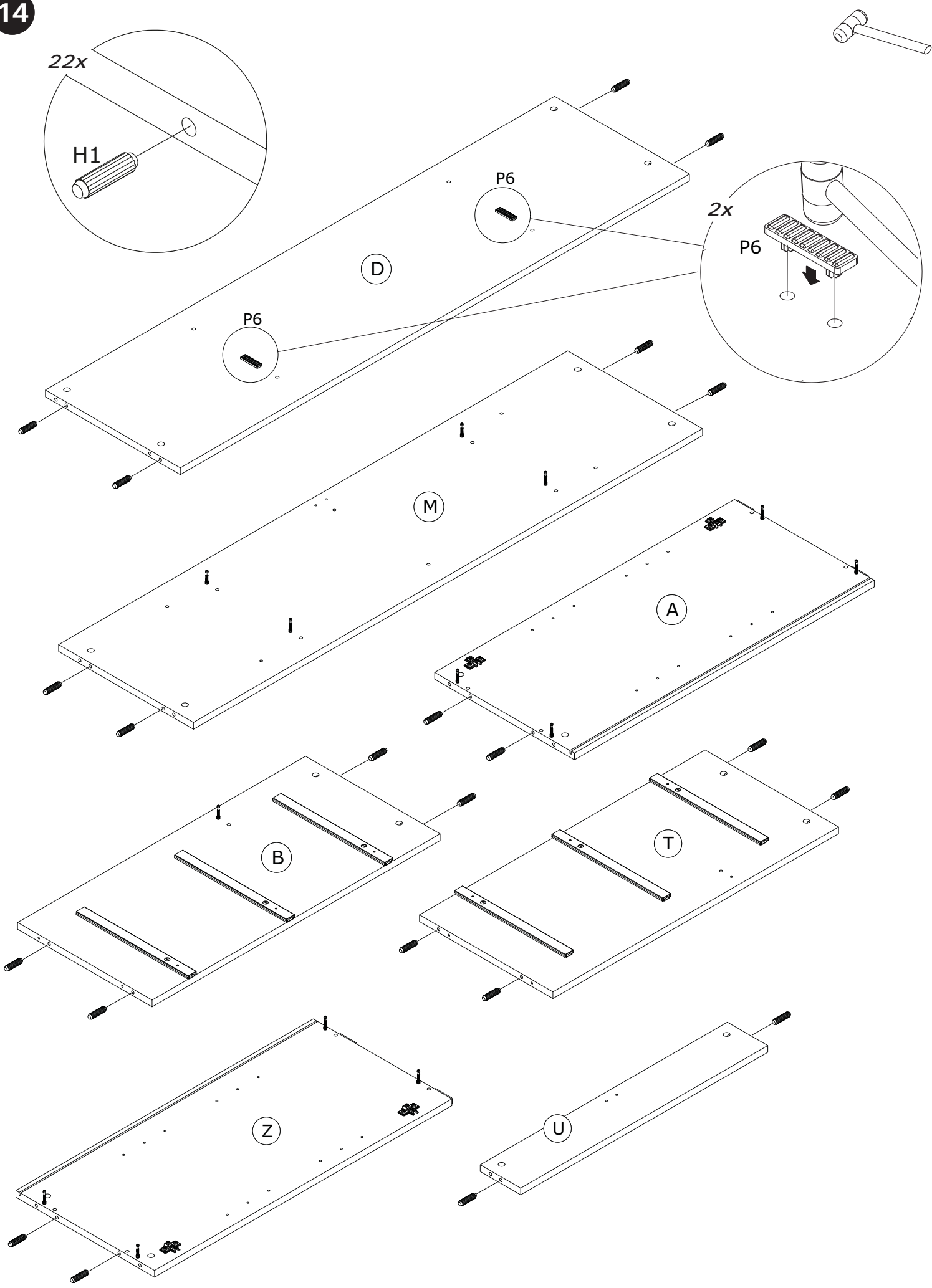
11



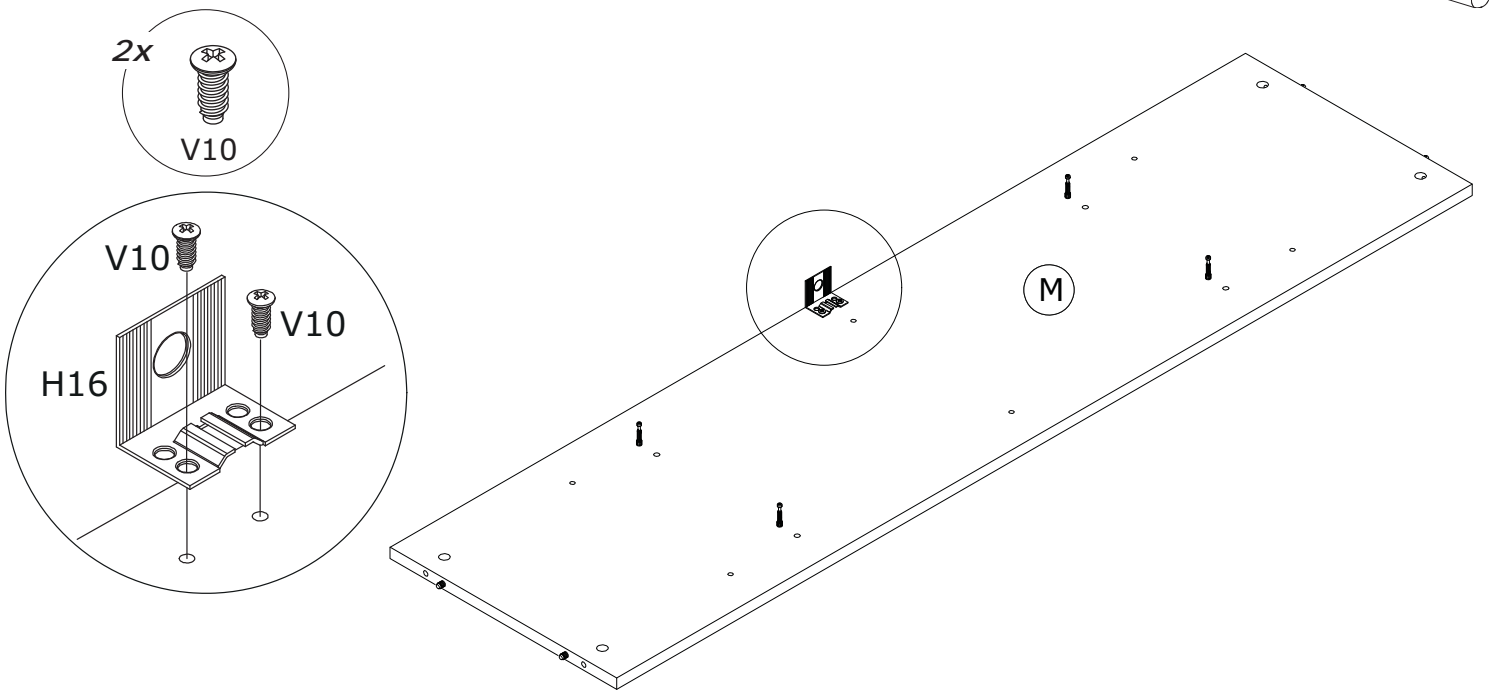
12



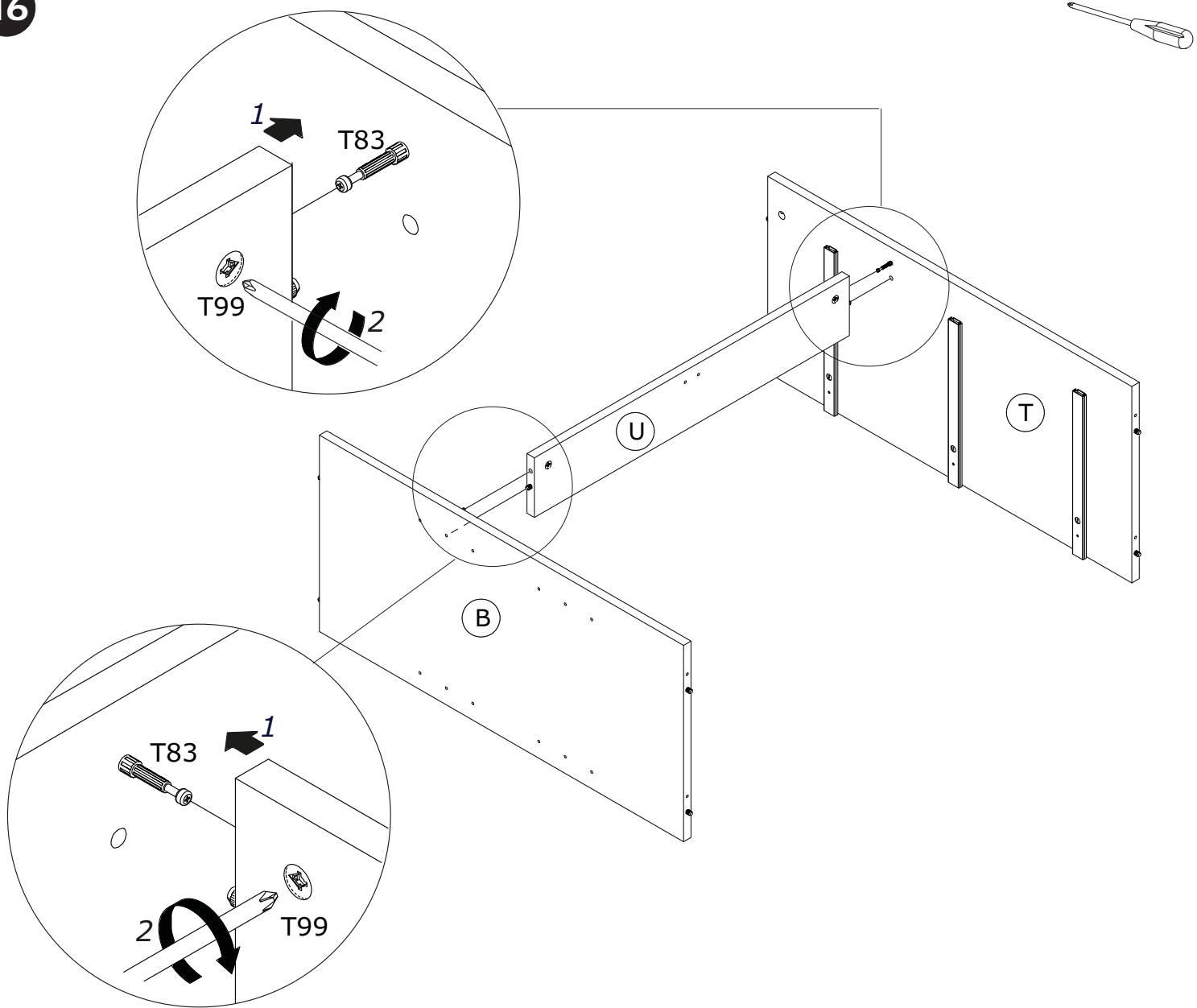


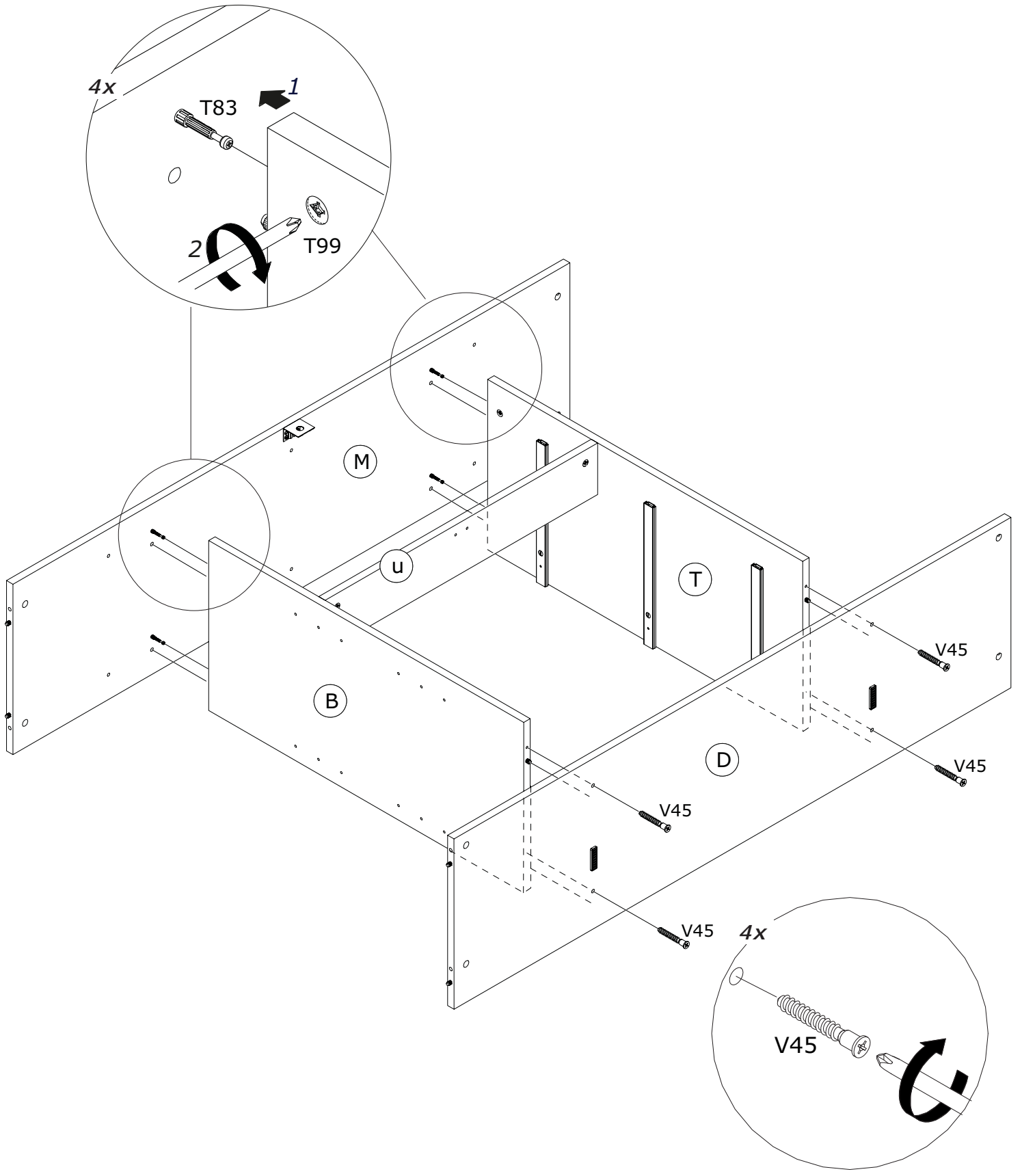
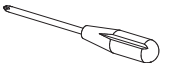


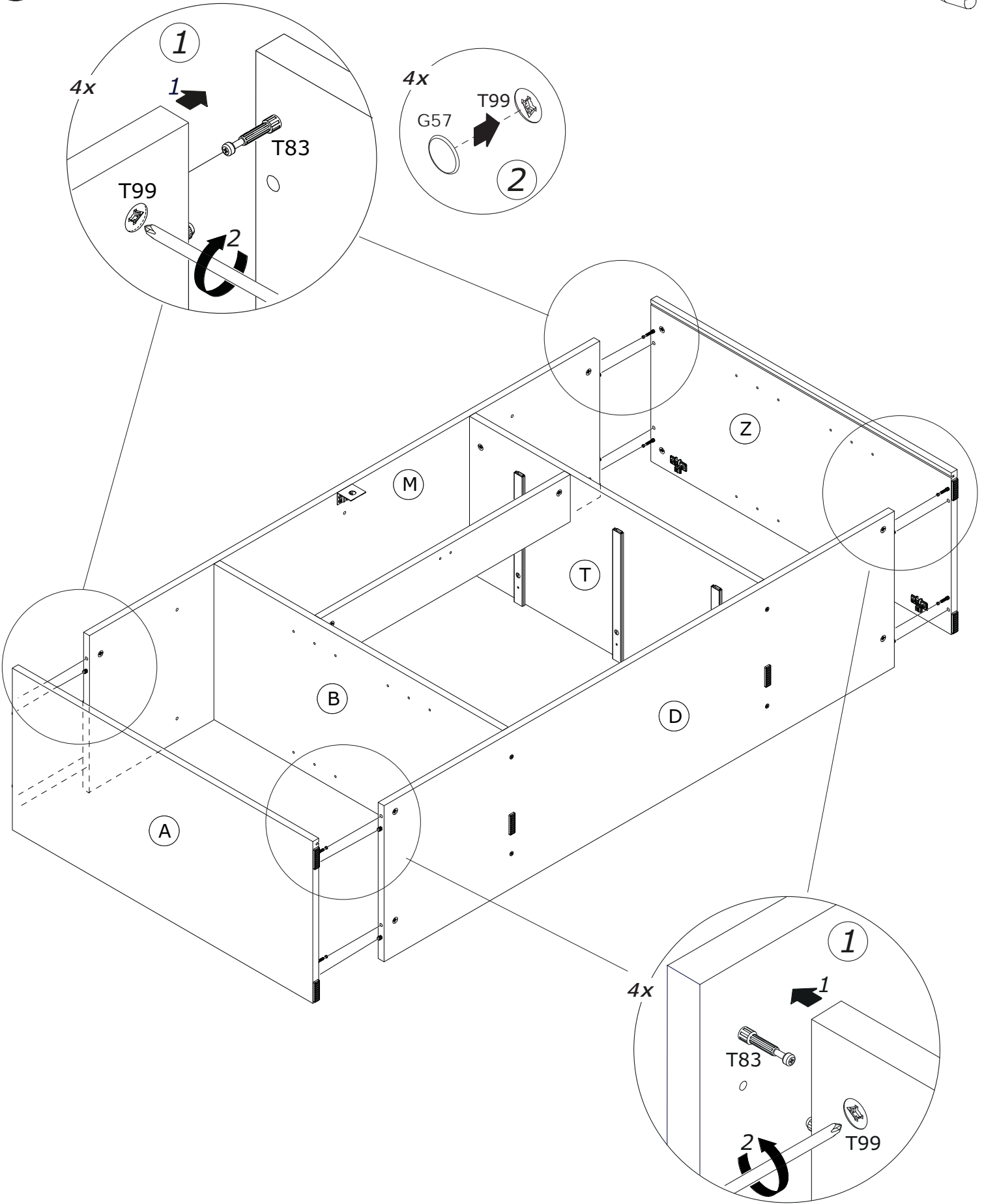
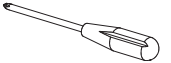
15

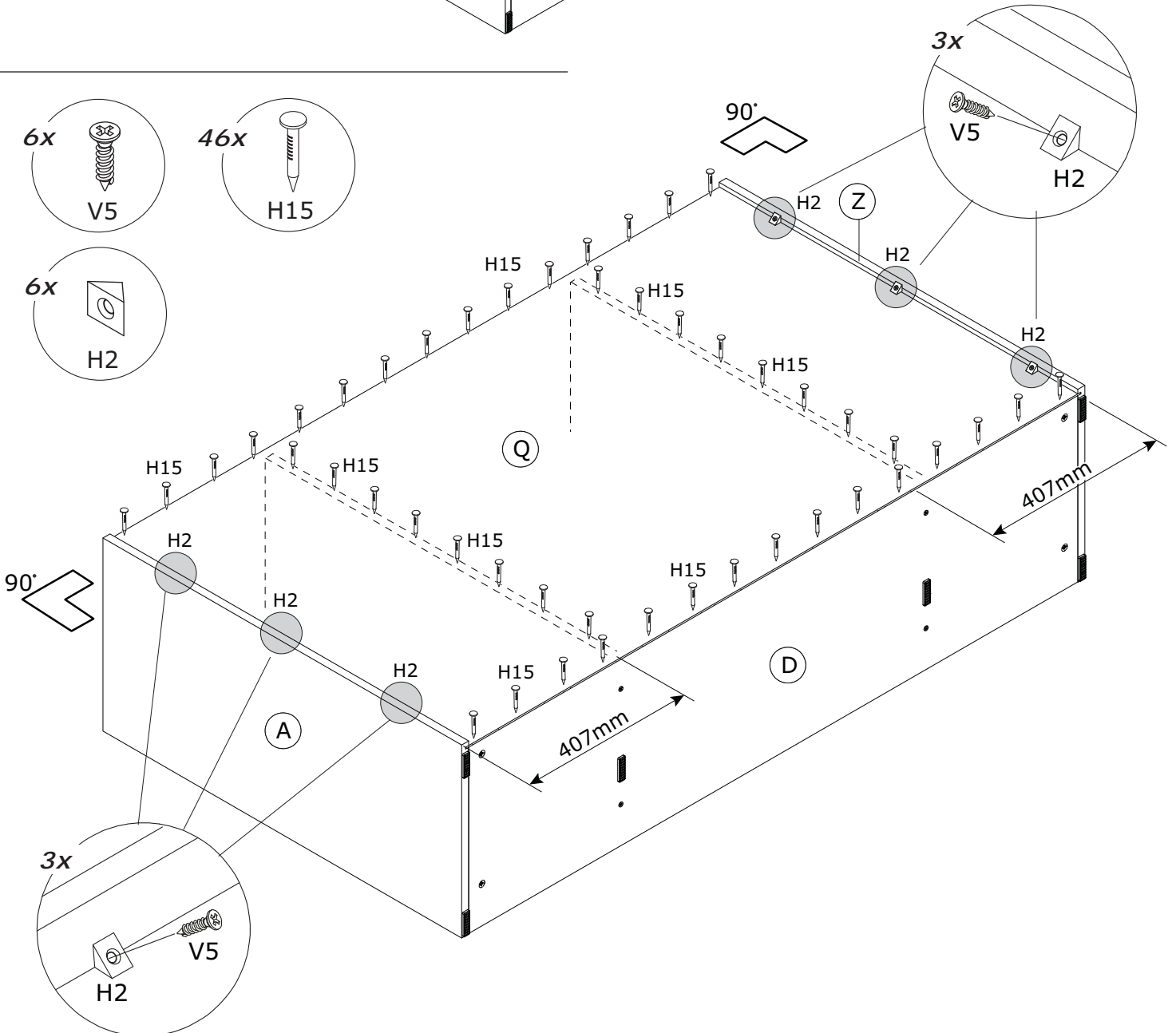
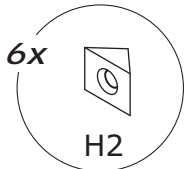
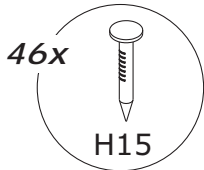
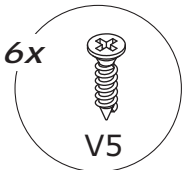
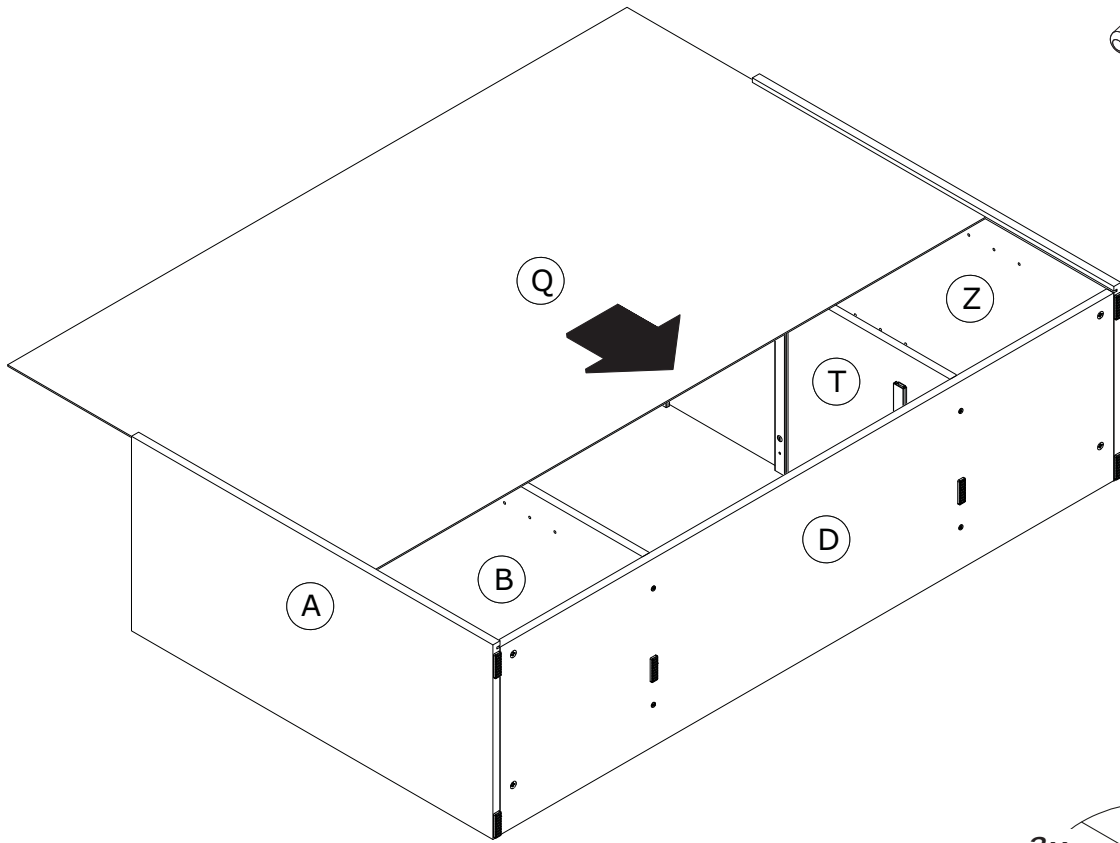
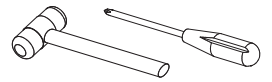


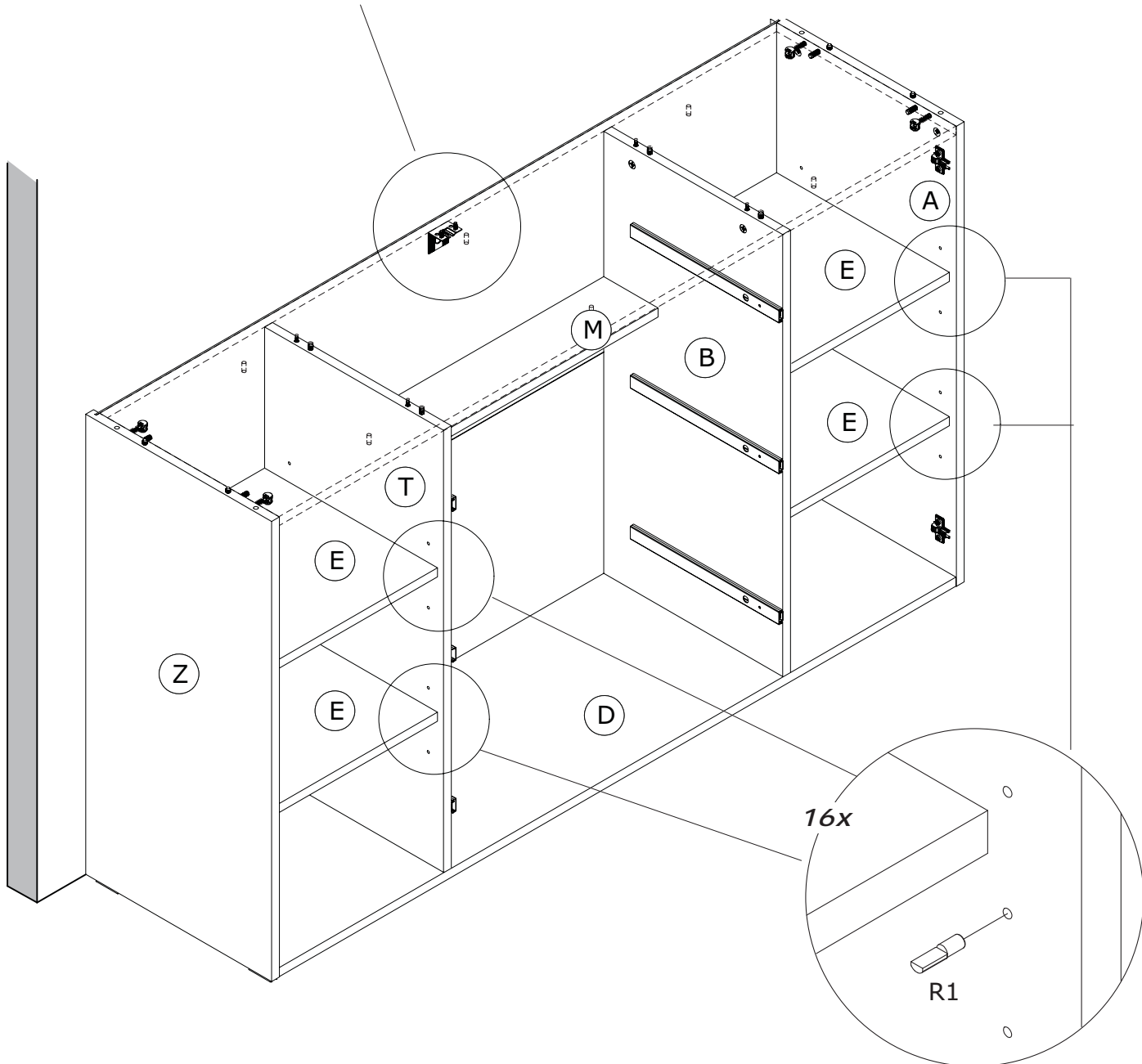
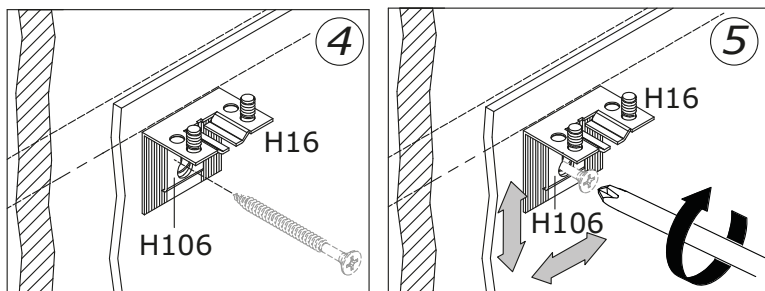
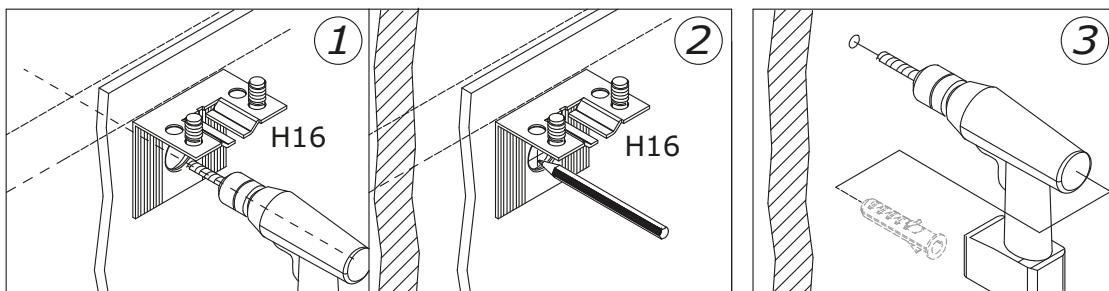
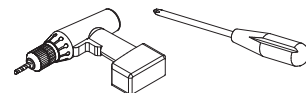
16

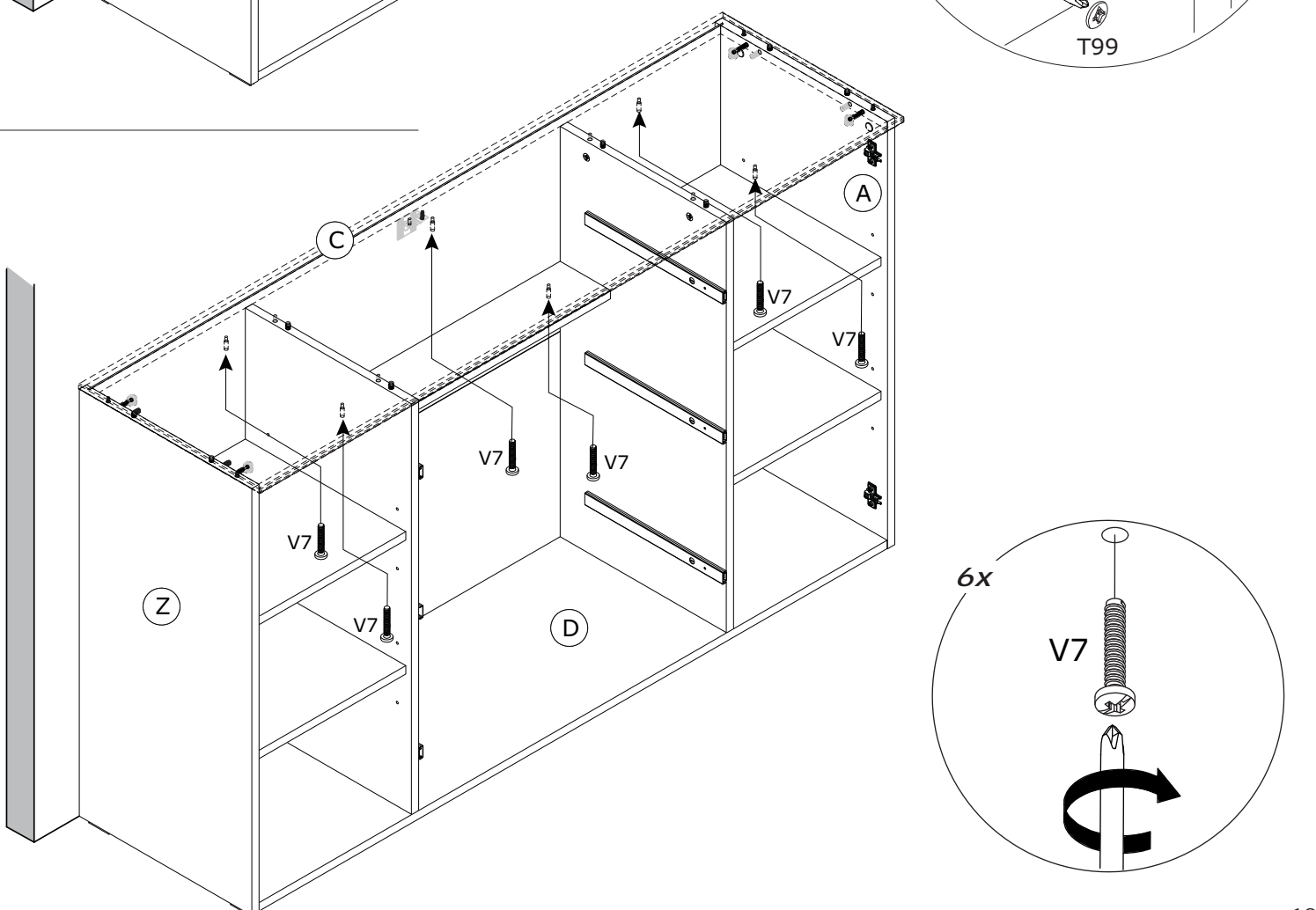
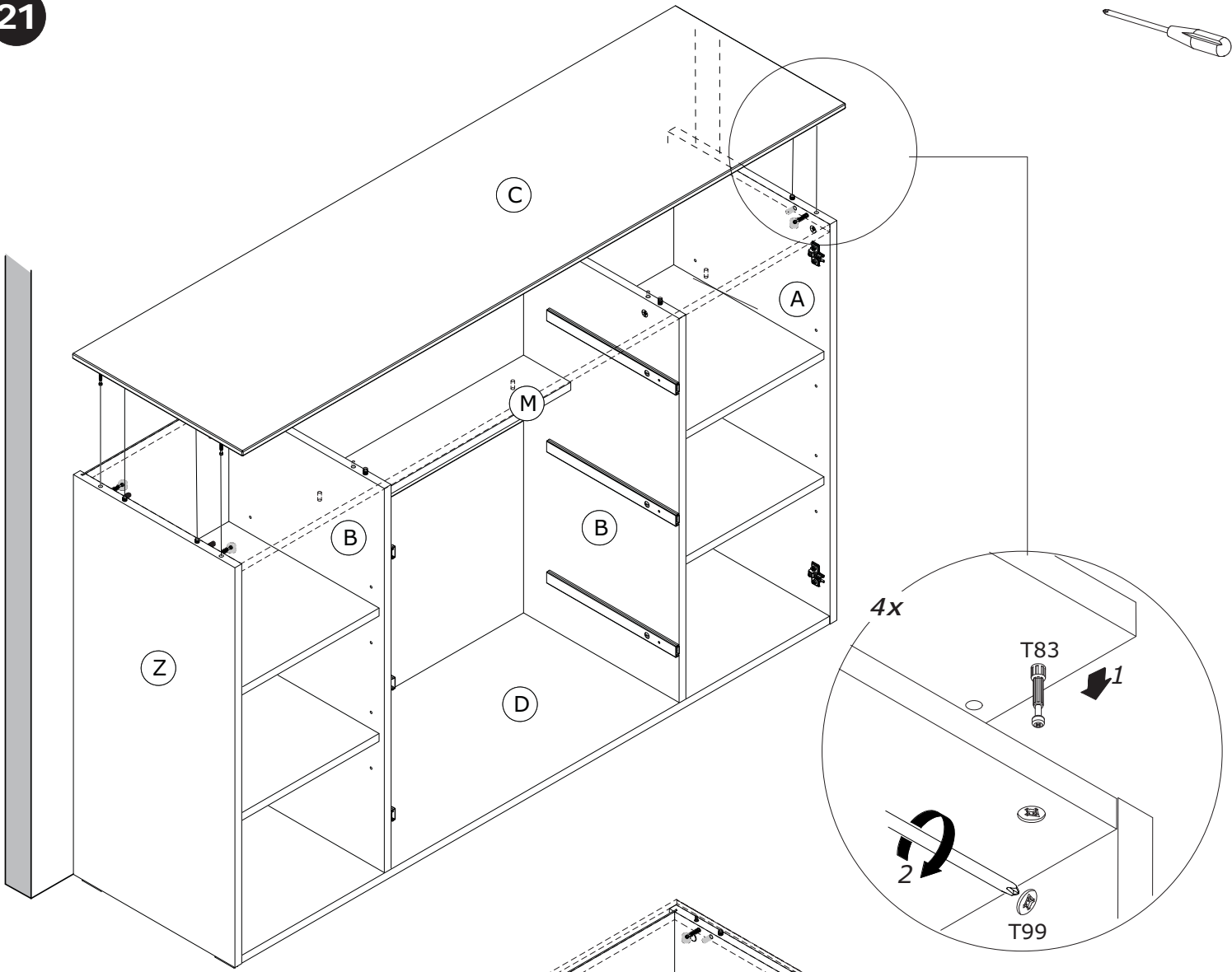
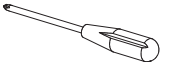


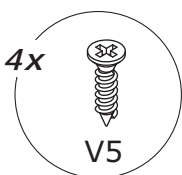
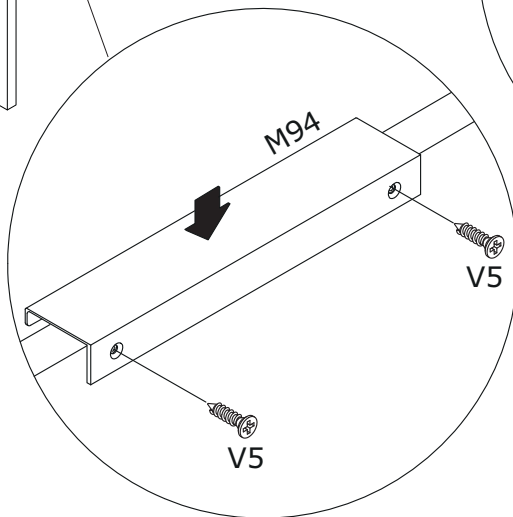
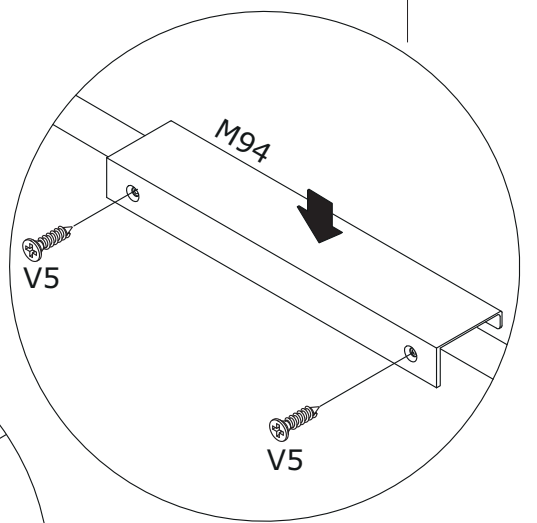
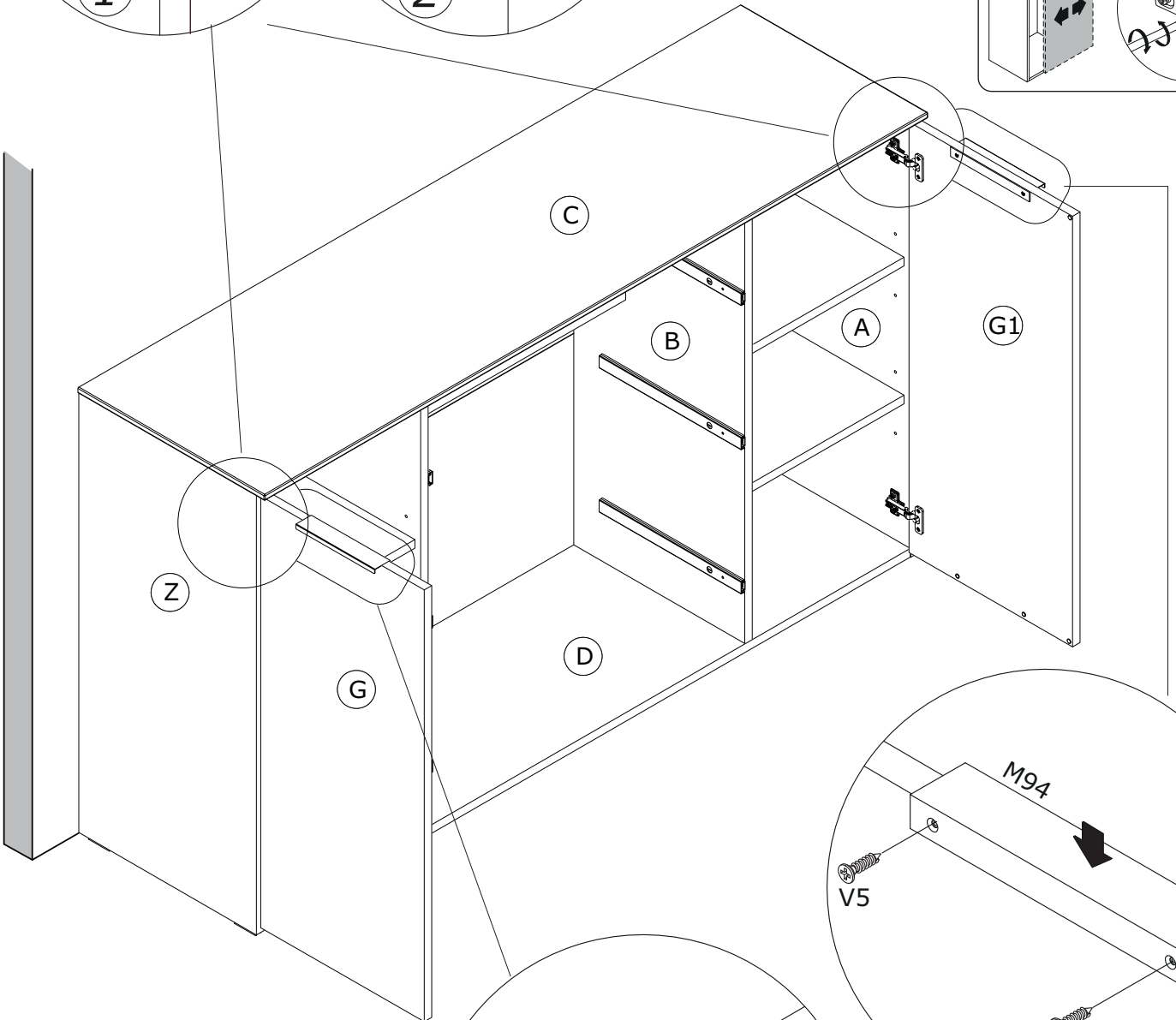
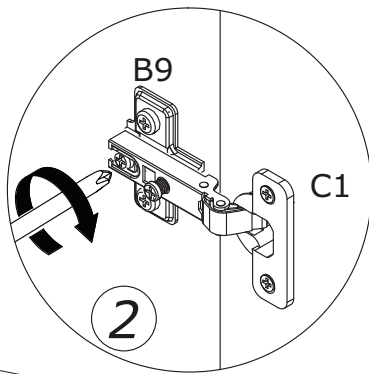
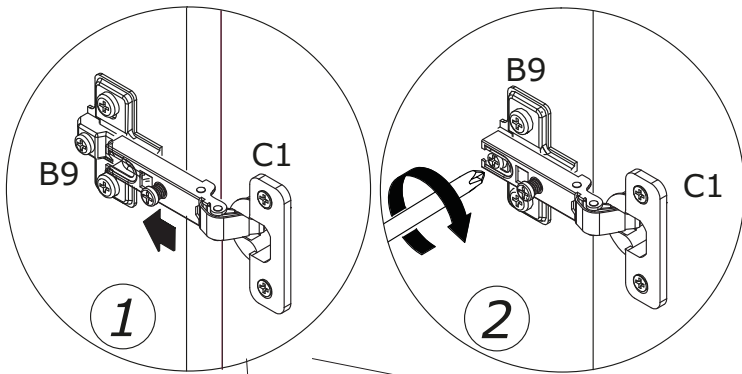
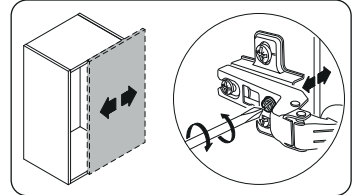
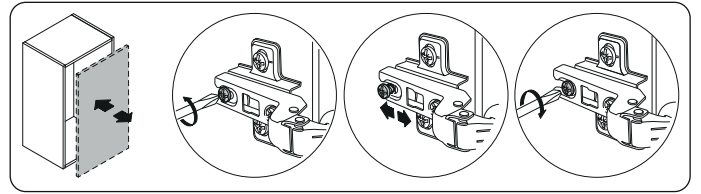
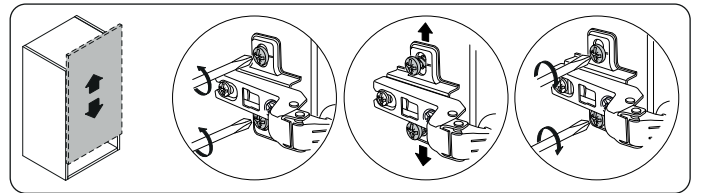
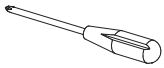


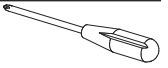












6x



V38

