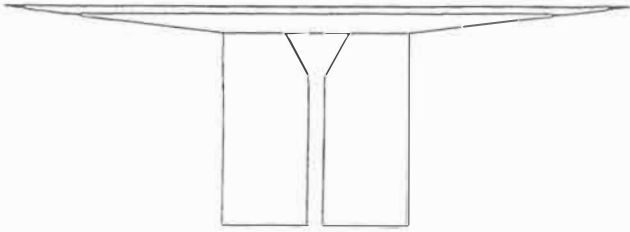


# NVL Table

designer Jean Nouvel design

# mdf italia

ISTRUZIONI DI MONTAGGIO | ASSEMBLY INSTRUCTIONS | MONTAGEANLEITUNGEN | INSTRUCTIONS DE MONTAGE | INSTRUCCIONES DE MONTAJE



KIT FERRAMENTA | HARDWARE KIT | HARDWARE-KIT | KIT DE MATÉRIEL | KIT DE HARDWARE

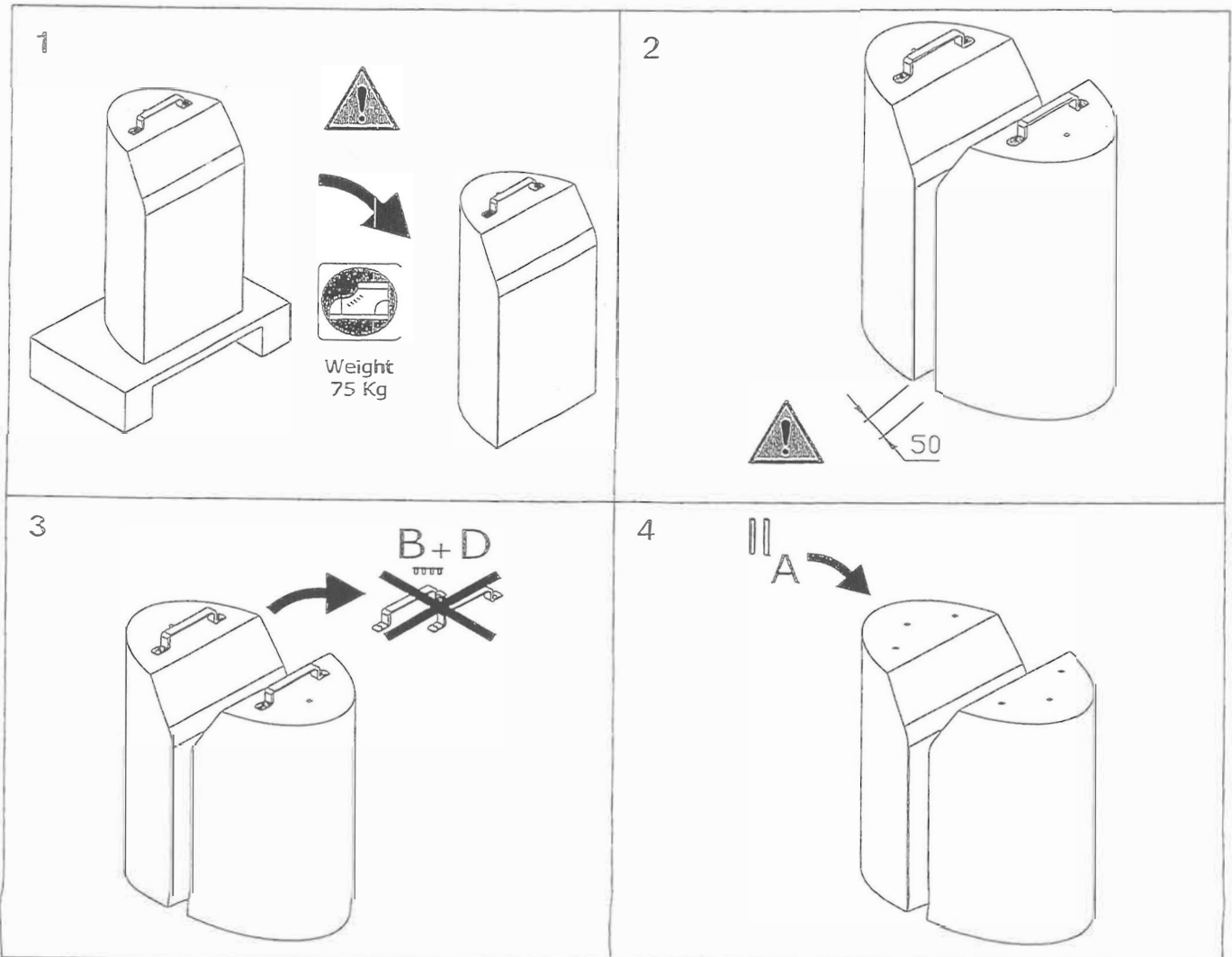
A   
M10×150

D 

B   
M10×18

E 

C   
M10×100

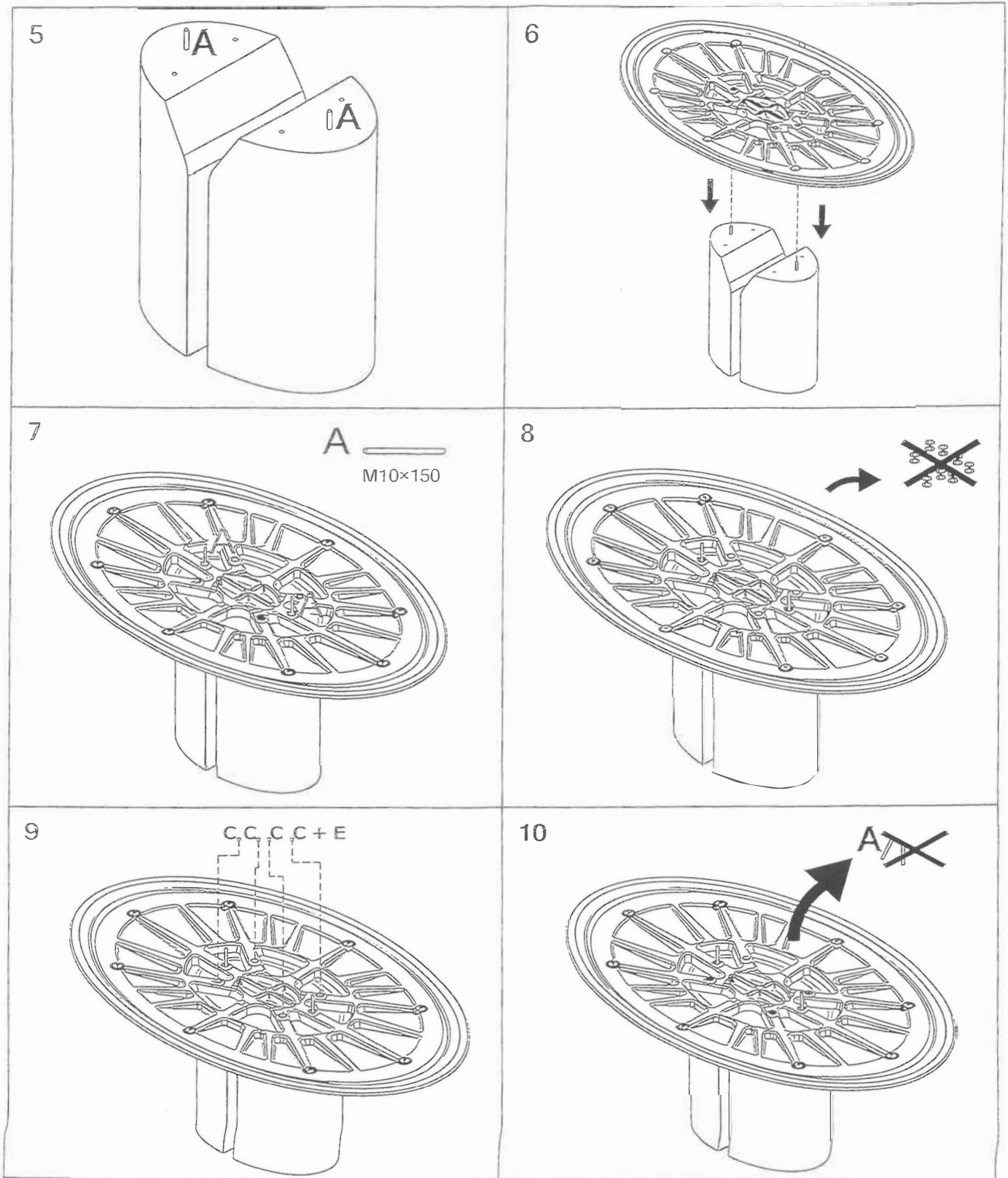


# NVL Table

designer Jean Nouvel design

# mdf italia

ISTRUZIONI DI MONTAGGIO | ASSEMBLY INSTRUCTIONS | MONTAGEANLEITUNGEN | INSTRUCTIONS DE MONTAGE | INSTRUCCIONES DE MONTAJE

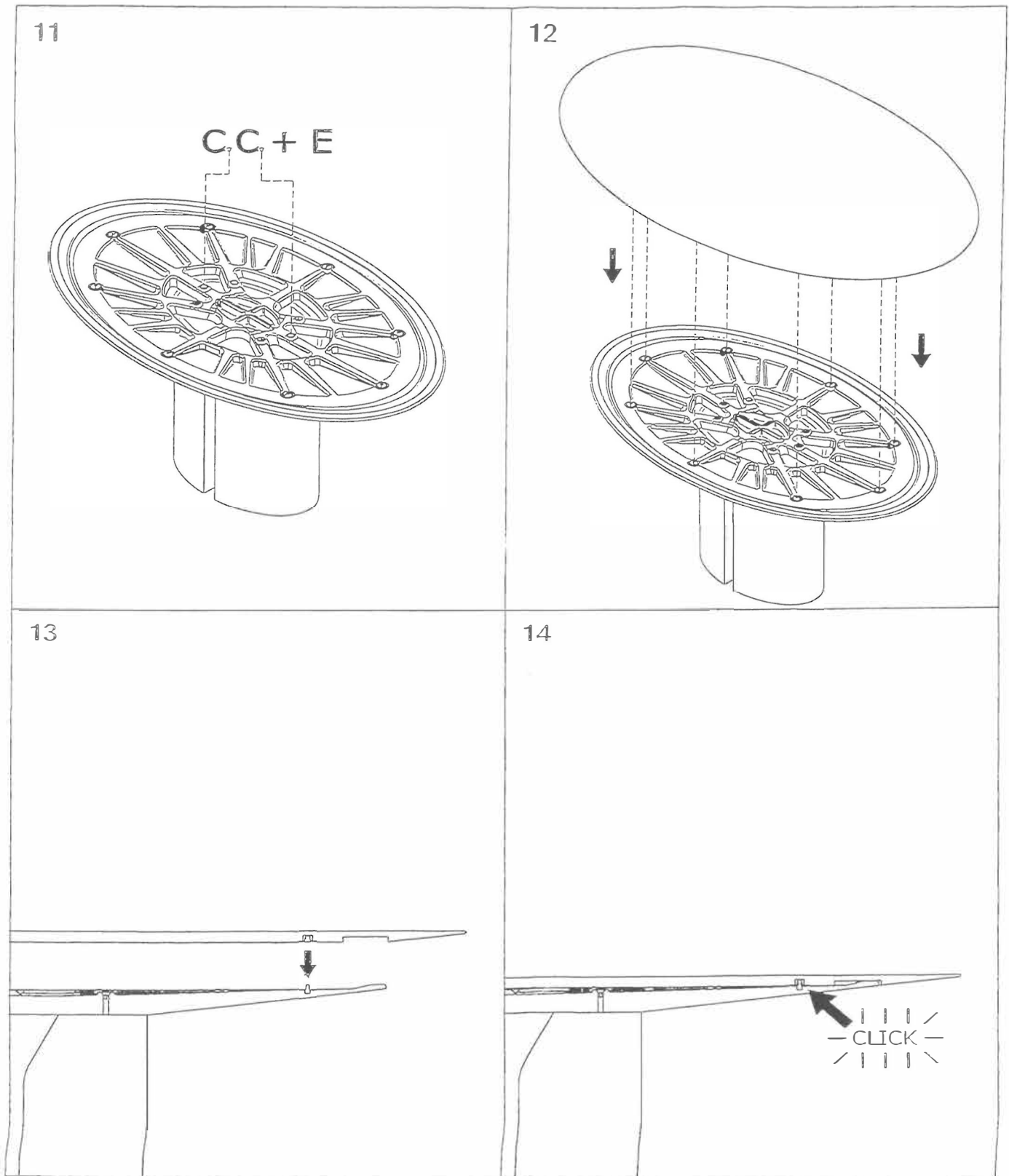


# NVL Table

designer Jean Nouvel design

# mdf italia

ISTRUZIONI DI MONTAGGIO | ASSEMBLY INSTRUCTIONS | MONTAGEANLEITUNGEN | INSTRUCTIONS DE MONTAGE | INSTRUCCIONES DE MONTAJE



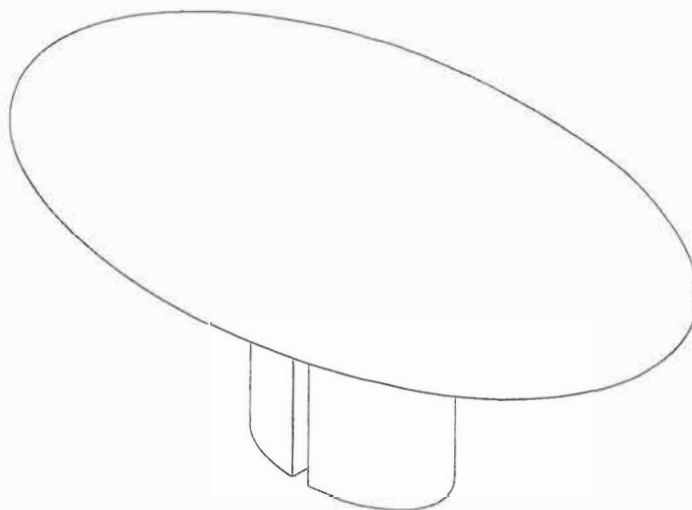
# NVL Table

designer Jean Nouvel design

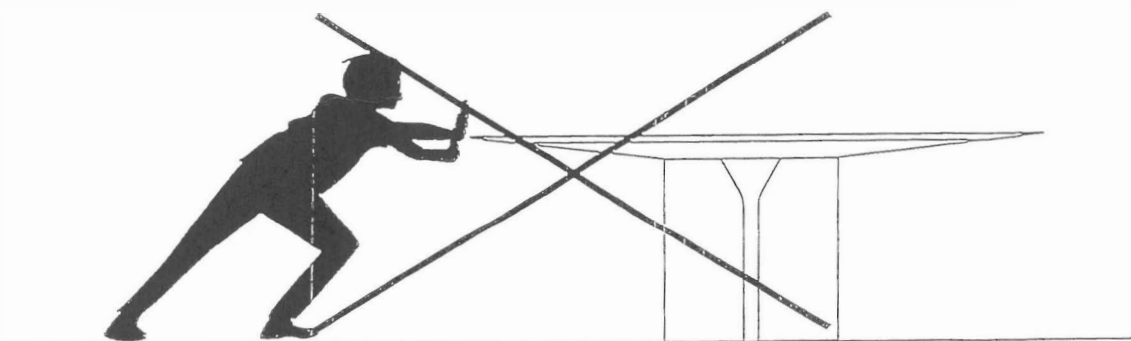
# mdf italia

ISTRUZIONI DI MONTAGGIO | ASSEMBLY INSTRUCTIONS | MONTAGEANLEITUNGEN | INSTRUCTIONS DE MONTAGE | INSTRUCCIONES DE MONTAJE

15

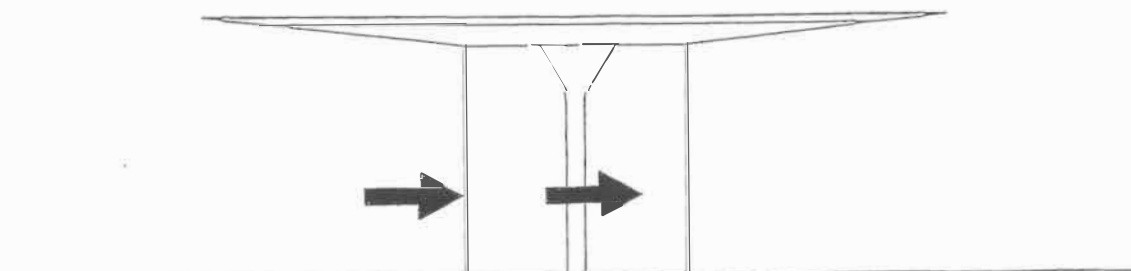


16



DO NOT MOVE THE TABLE FROM THE TOP

17



IF NECESSARY, MOVE THE TABLE FROM THE BASES AT THE SAME TIME