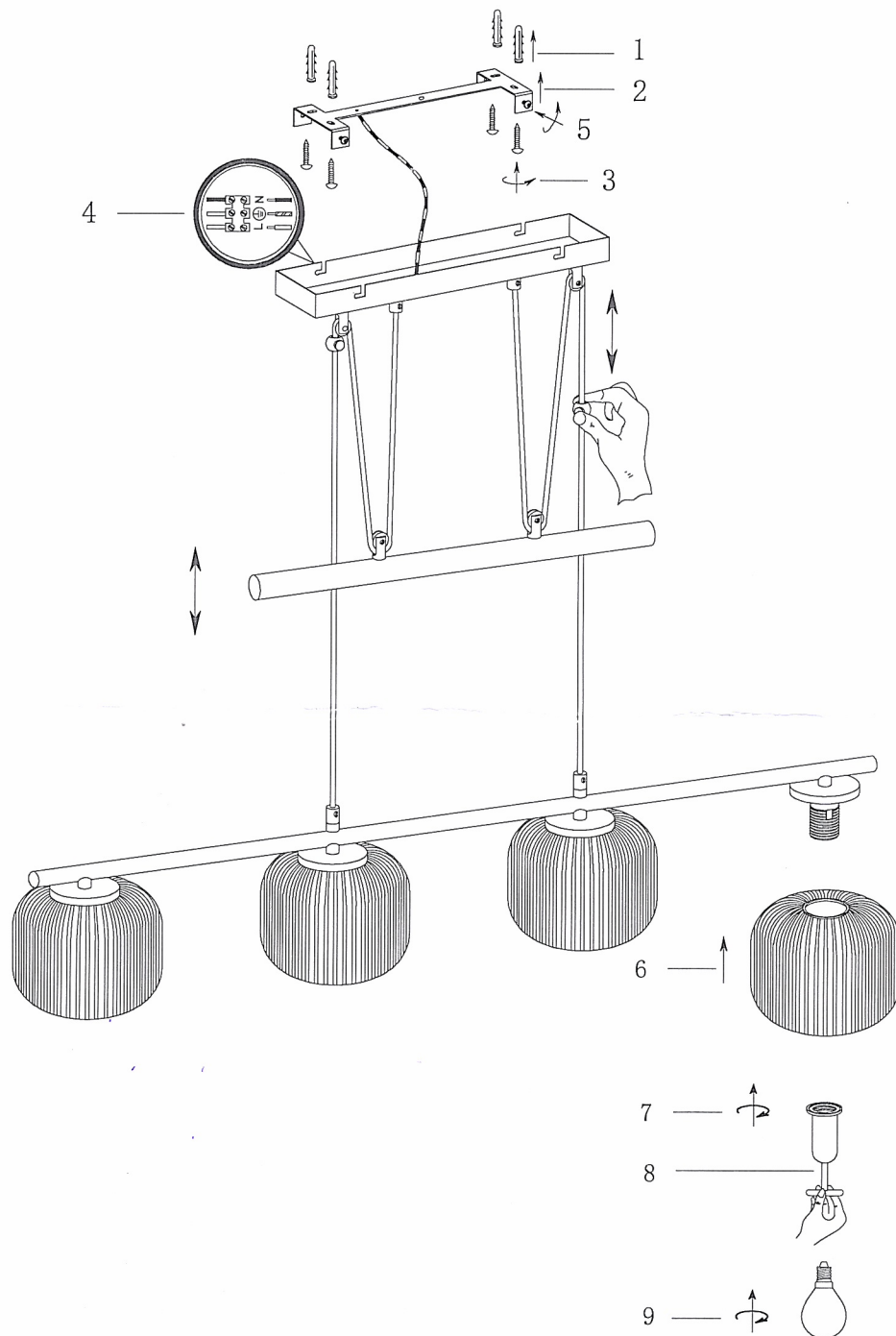


Art.-Nr.:780.182.1



220-240V~, 50/60Hz 4xE14 Max.40W