

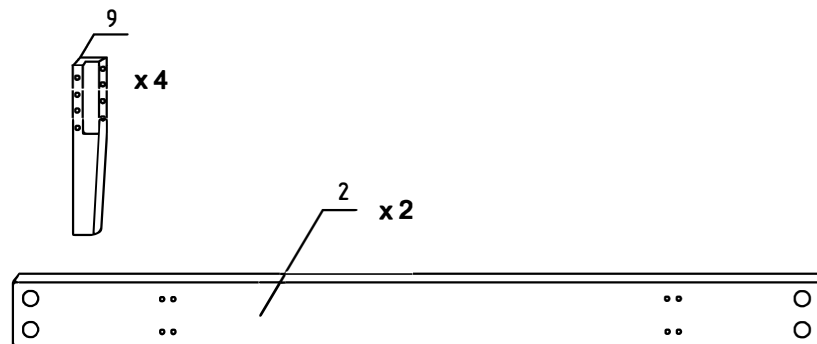
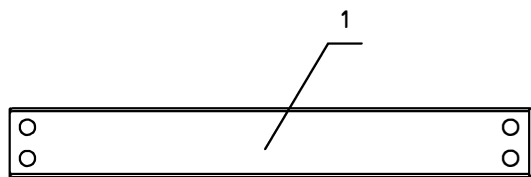
MONTAGEANLEITUNG " bettrahmen T E X A S " 90 - 140cm

Art.No. Texas 90 - 28190021/10

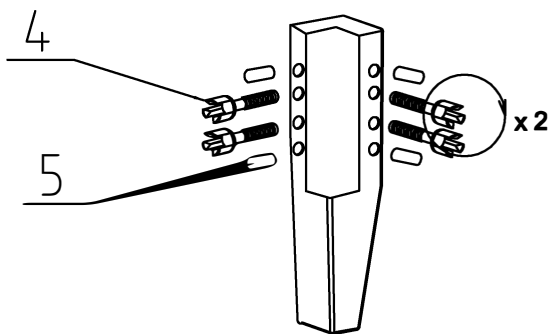
Art.No. Texas 120 - 28190021/13

Art.No. Texas 140 - 28190021/04

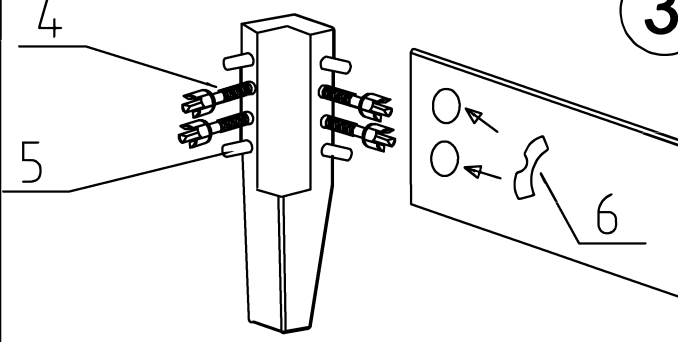
20min



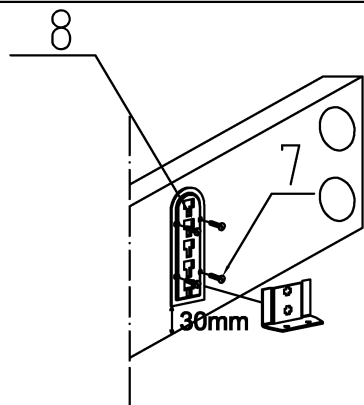
| | | | | | |
|----------|---|----------|---|--------|---|
| x 16 | ④ | x 16 | ⑤ | x 16 | ⑦ |
| | | | | | |
| M 8x50mm | | ∅10x60mm | | 4x18mm | |
| x 4 | ⑧ | x 16 | ⑥ | | |
| | | | | | |



1



3



2

