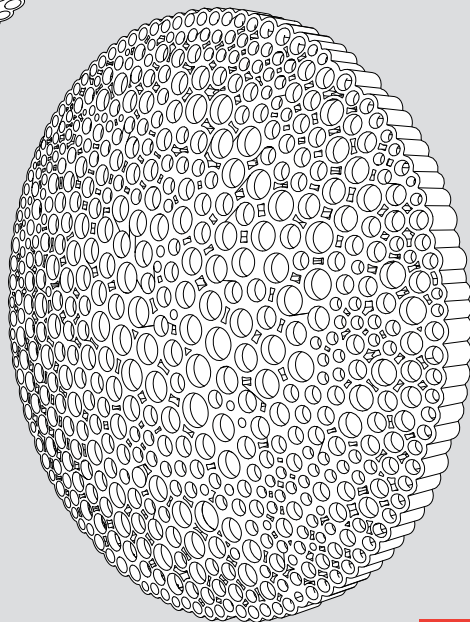
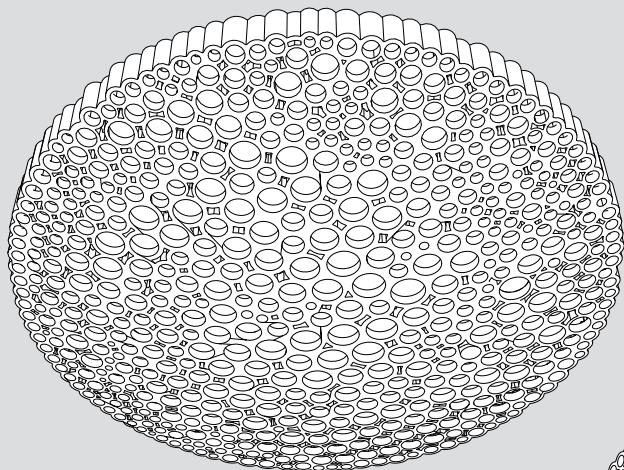


# Artemide®

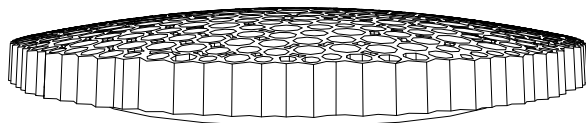
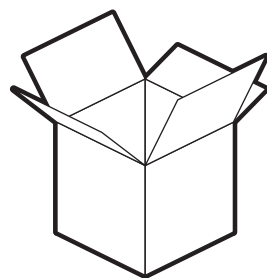
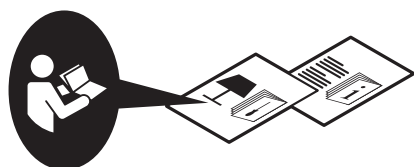
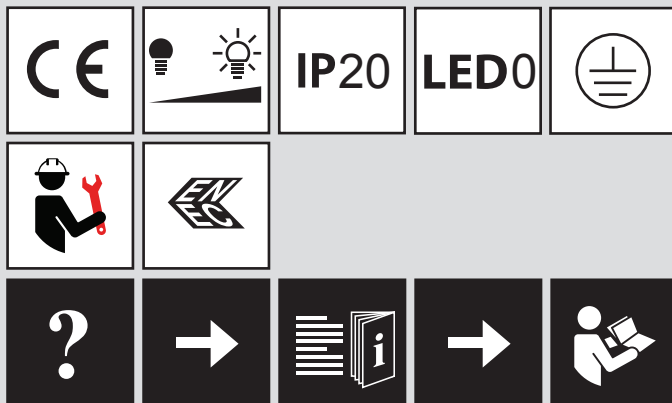
## Calipso

design  
N. Poulton

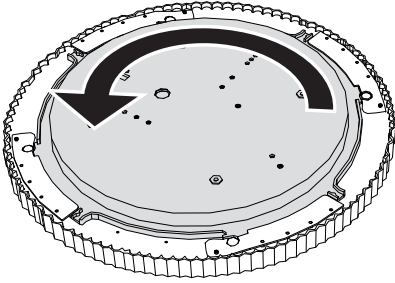




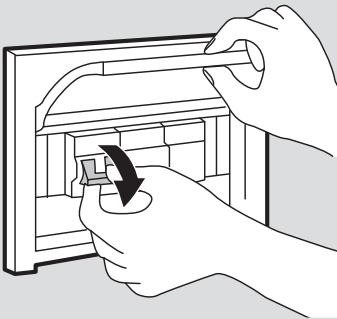
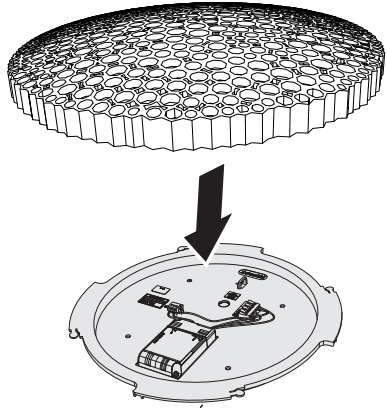
i



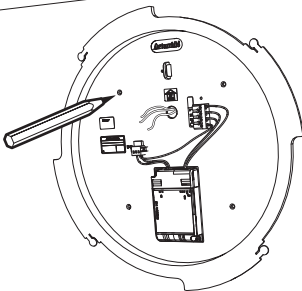
1



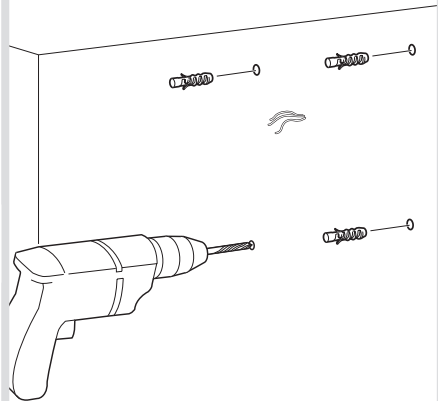
2

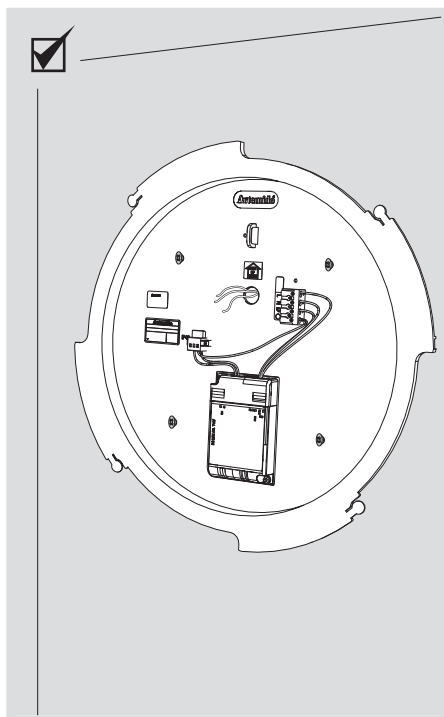
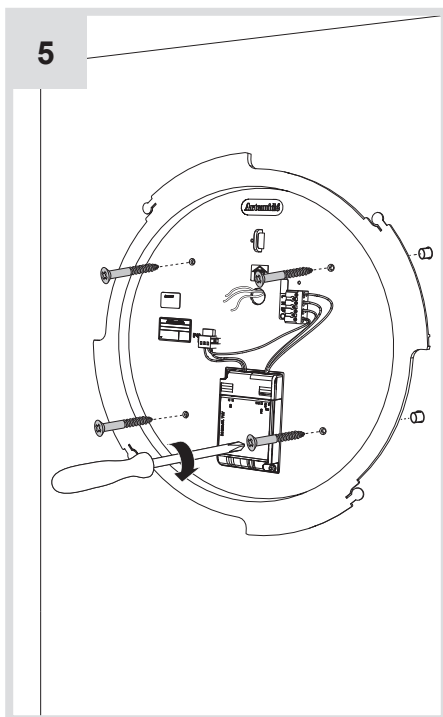
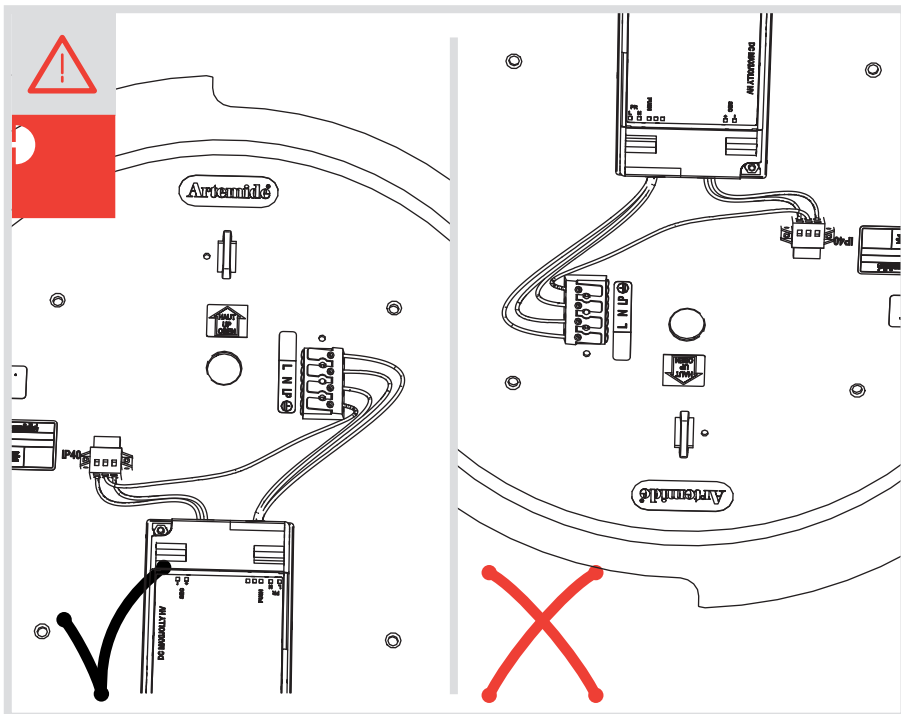


3

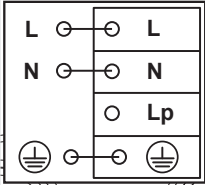
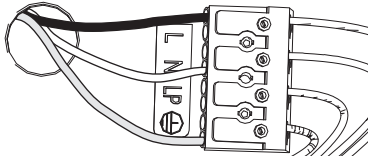


4

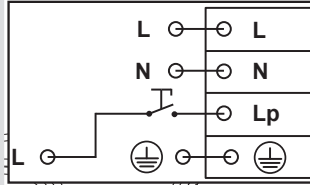
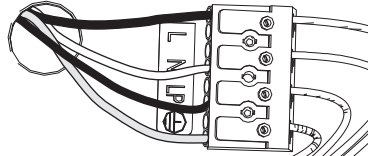




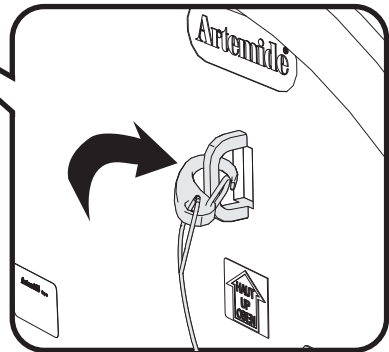
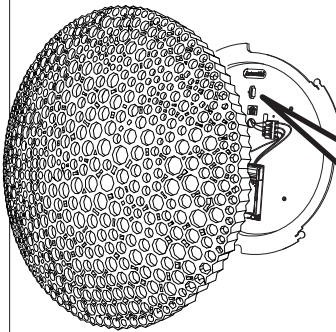
6a



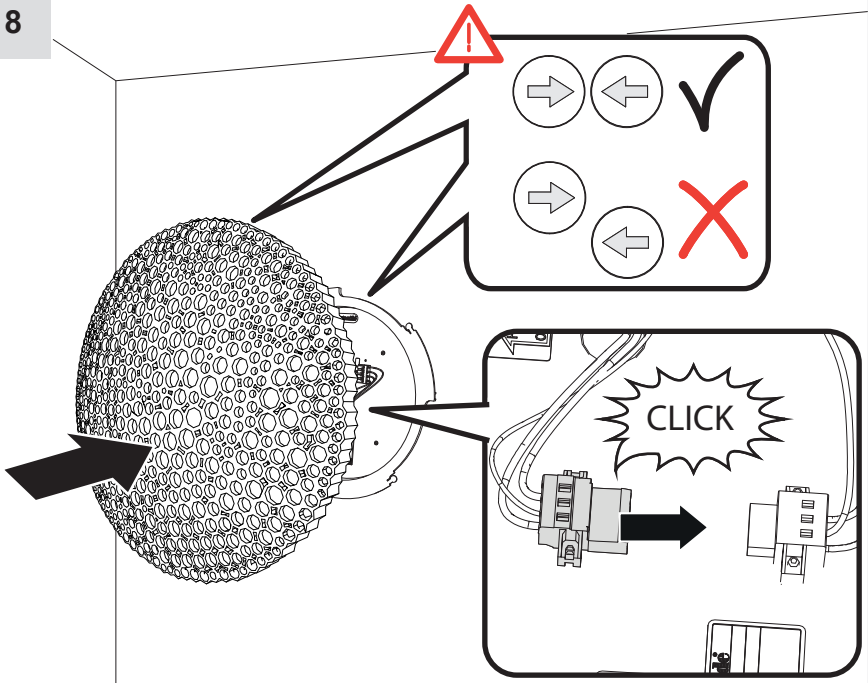
6b



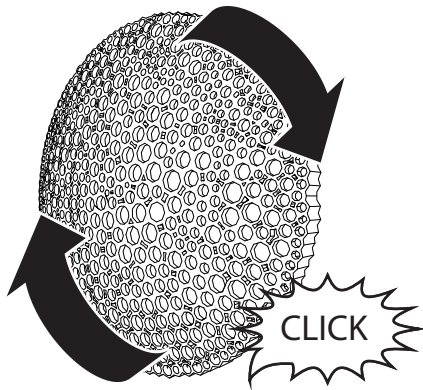
7

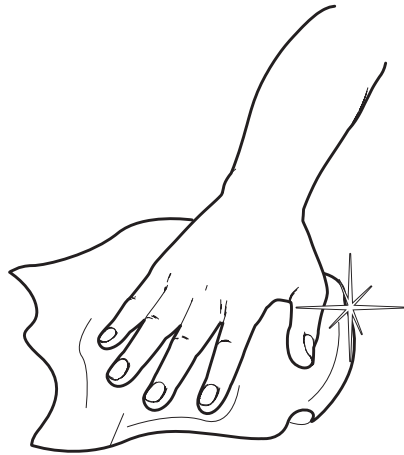
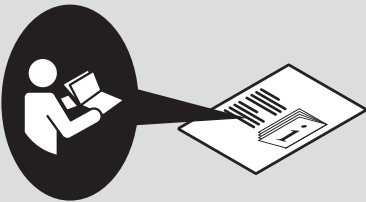
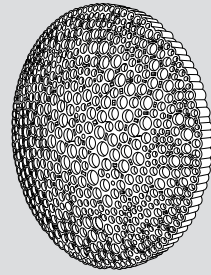
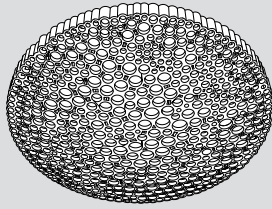


8



9





**Artemide®**



## **Artemide**

via Bergamo, 18  
20010 Pregnana M.se (MI)  
ITALIA

tel. +39 02 935 181  
fax +39 02 935 90 254  
fax +39 02 935 90 496

[www.artemide.com](http://www.artemide.com)

VAT IT00846890150

cod. Y513000832A