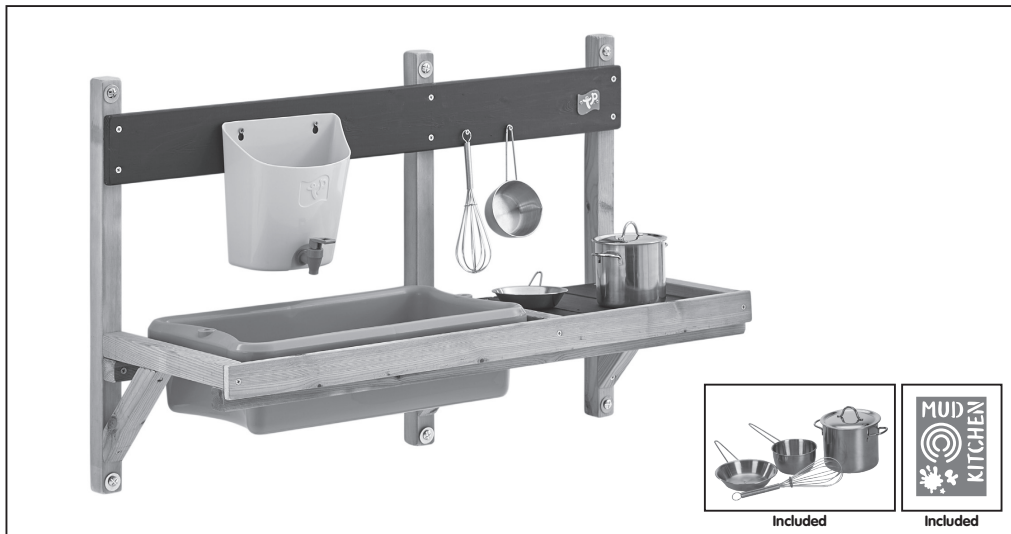


TP297 TP Deluxe Mud Kitchen Playhouse Accessory

Instructions for assembly, maintenance and safe use.



We constantly strive to improve our assembly instructions. To see the most current version of this instruction for assembly, maintenance and safe use. Please visit the product page at tptoys.com



Included

Included

WARNINGS!

THIS PRODUCT IS NOT SUITABLE FOR CHILDREN UNDER 36 MONTHS. CONTAINS SMALL PARTS. CHOKING HAZARD.

THIS PRODUCT IS INTENDED FOR USE BY CHILDREN FROM AGES 3+ YEARS.

ONLY FOR DOMESTIC USE. FOR OUTDOOR USE ONLY.

TOY MUST BE ASSEMBLED BY AN ADULT BEFORE USE.

CHILDREN MUST NOT USE THIS PRODUCT UNTIL PROPERLY INSTALLED.

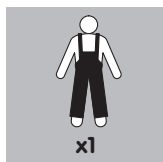
ADULT SUPERVISION REQUIRED.

POTS AND PANS FOR USE IN ROLE PLAY ONLY.

DO NOT DRINK THE WATER AS IT MAY BECOME CONTAMINATED - EMPTY WATER AFTER EACH USE.

REMOVE ALL PACKAGING BEFORE GIVING TO YOUR CHILDREN.

PLEASE RETAIN INSTRUCTIONS AS IT CONTAINS IMPORTANT SAFETY INFORMATION.



x1



Build Time



0-3



Robovision Ltd t/a TP Toys

Unit 11, Enterprise Way, Flitwick, Bedfordshire, MK45 5BX England

www.tptoys.com

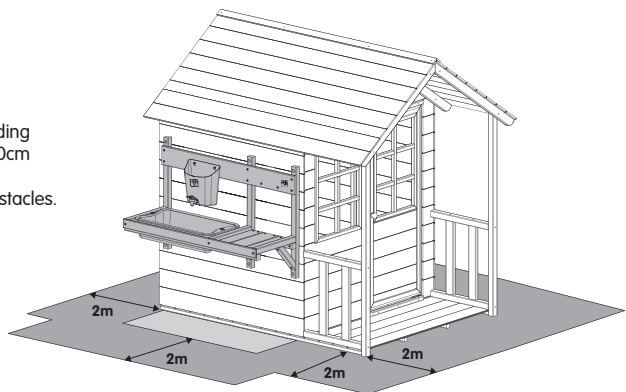
Important advice for assembly, maintenance and safe use.

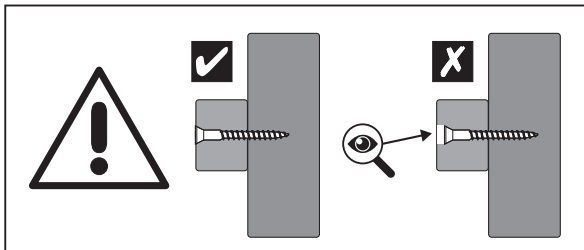
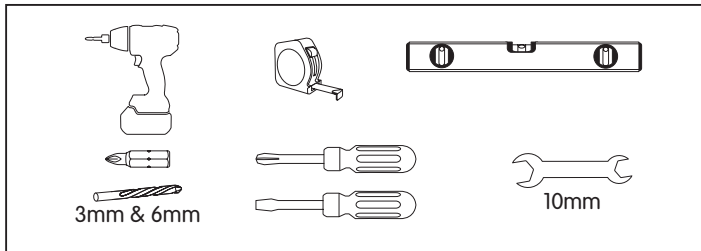
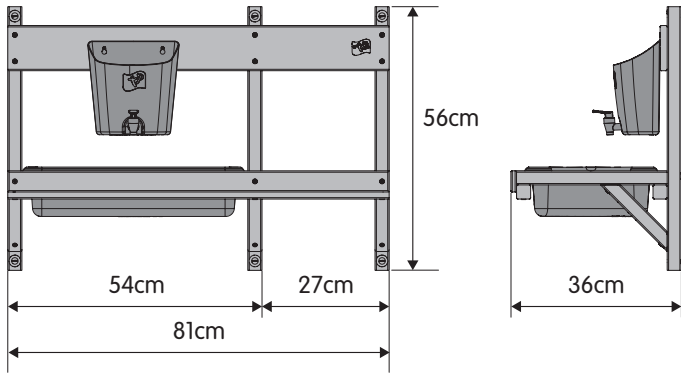
Please retain this information for future reference.

1. Toy must be assembled by an adult before use exactly in accordance with the instructions.
2. Children must not use this product until properly installed.
3. Check all parts are present before you start to assemble the product. Place small parts on a tray or similar to ensure they are not lost. The manufacturing process can very occasionally result in sharp edges/waste material so please take care when assembling this product.
4. If any parts are missing do not use the product until the replacement parts are fitted.
5. Ensure your product is sited on level ground. Failure to do this may put additional stress on connections and joints and in time could cause them to fail.
6. Ensure your product is located on a soft impact surface like grass. Never locate your product on hard surfaces like concrete.
7. Avoid locating this product in full sun.
8. Remove all packaging before giving to your children.
9. Equipment should be checked by an adult at the beginning of each season and at regular intervals during the usage season to ensure it is safe.
10. Pay special attention to all connections and fastenings. Please check regularly all nuts and bolts for tightness and tighten as required.
11. Parts may need to be replaced if they show signs of wear and tear. Replace any defective parts in accordance with these instructions.
12. Due to the natural characteristics of timber, it is vital to check your playframe regularly for splintering, lifting of surface layers of wood or exposure of rough wood. Affected areas must be rubbed down using coarse sandpaper to restore a smooth, safe surface.
13. Any changes to this toy eg changing or adding an accessory, must be done in accordance with our instructions. Failure to do this will render your guarantee null and void and may make your product unsafe.
14. Ensure children's clothing is appropriate for the play activity.
15. Never place toys near a fire.
16. In high winds, ensure outdoor toys are moved to a sheltered position and/or securely staked down.
17. The age recommendation for this product is clearly stated on the packaging and in these instructions. Please adhere to it at all times. Adult supervision is required at all times to ensure children play safely.
18. When you dispose of this equipment please do so responsibly.

Safe play free space area

The safe play area refers to the zone extending 200cm around the toys on all sides and 250cm above the toy.
The safe play area must be free from all obstacles.





Pack - 1



MW1211 560mm **x3**



MW1300 320mm **x3**



MW1213 200mm **x3**



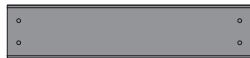
MW1304 810mm **x1**



MW1302P 810mm **x1**



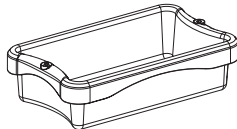
MW1303 810mm **x2**



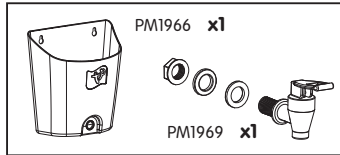
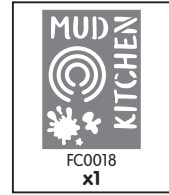
MW1301P 320mm **x2**



MW1305P 320mm **x1**



PM5009A **x1**



SP3297



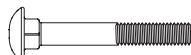
4 x 16mm FA4527 **x2**



4.5 x 20mm FA4528 **x2**



4.5 x 35mm FA5123 **x21**



M6 x 45mm FA5198 **x6**



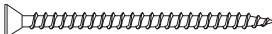
M6 x25mm FA5095 **x6**



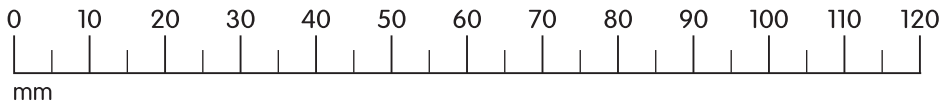
M6 Dome Nut FA5192 **x6**



4.5 x 50mm FA9705 **x12**

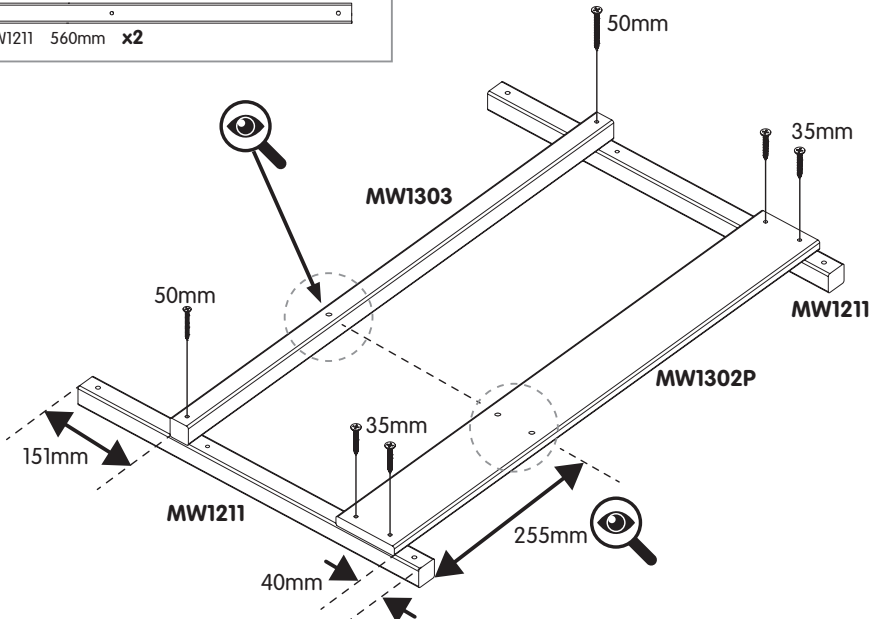


4 x 70mm FA4503 **x3**



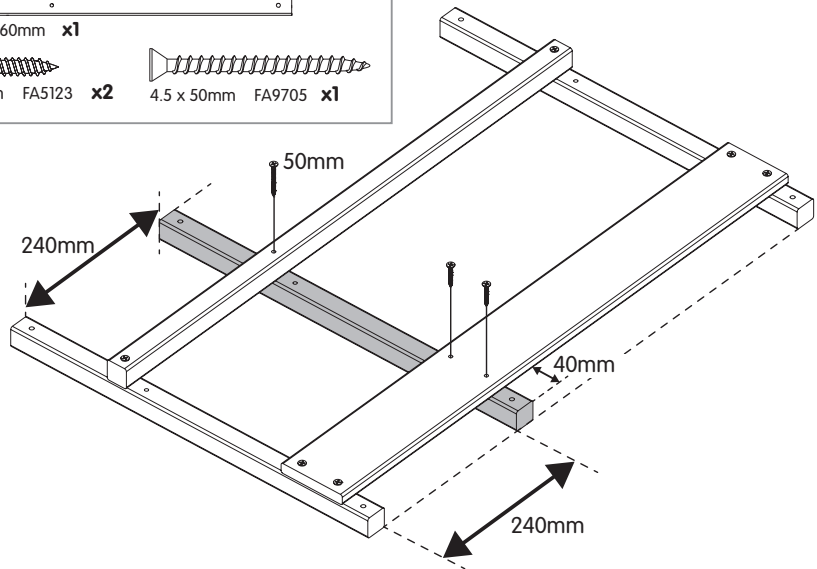
1

- MW1303 810mm x1
- MW1302P 810mm x1
- MW1211 560mm x2
- 4.5 x 35mm FA5123 x4
- 4.5 x 50mm FA9705 x2

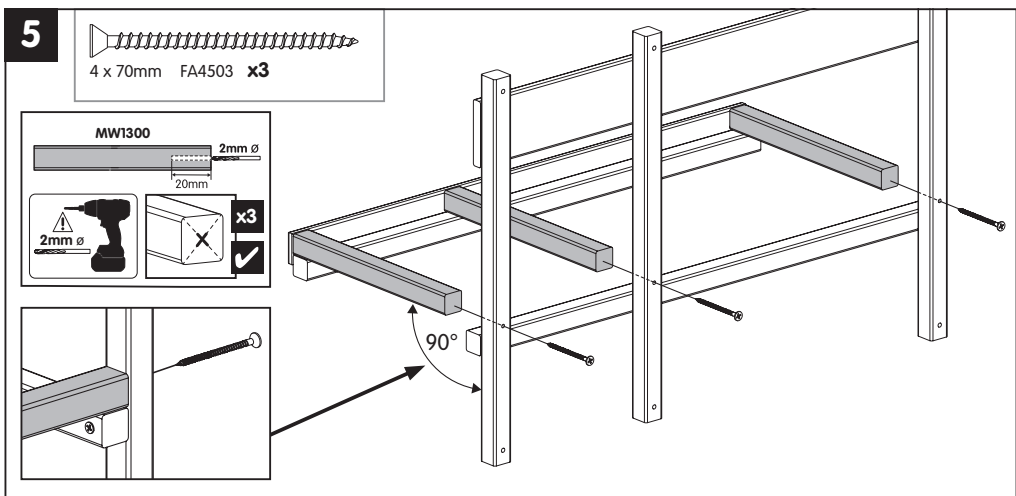
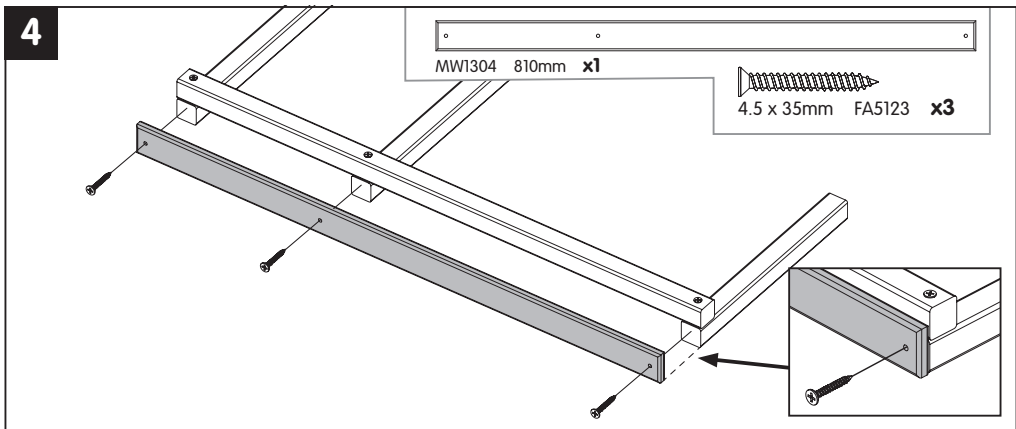
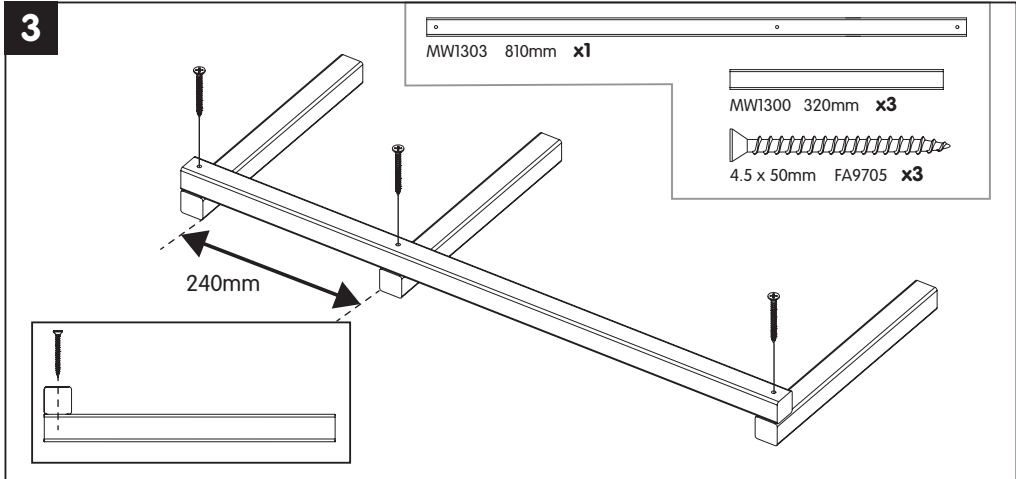


2

- MW1211 560mm x1
- 4.5 x 35mm FA5123 x2
- 4.5 x 50mm FA9705 x1



5

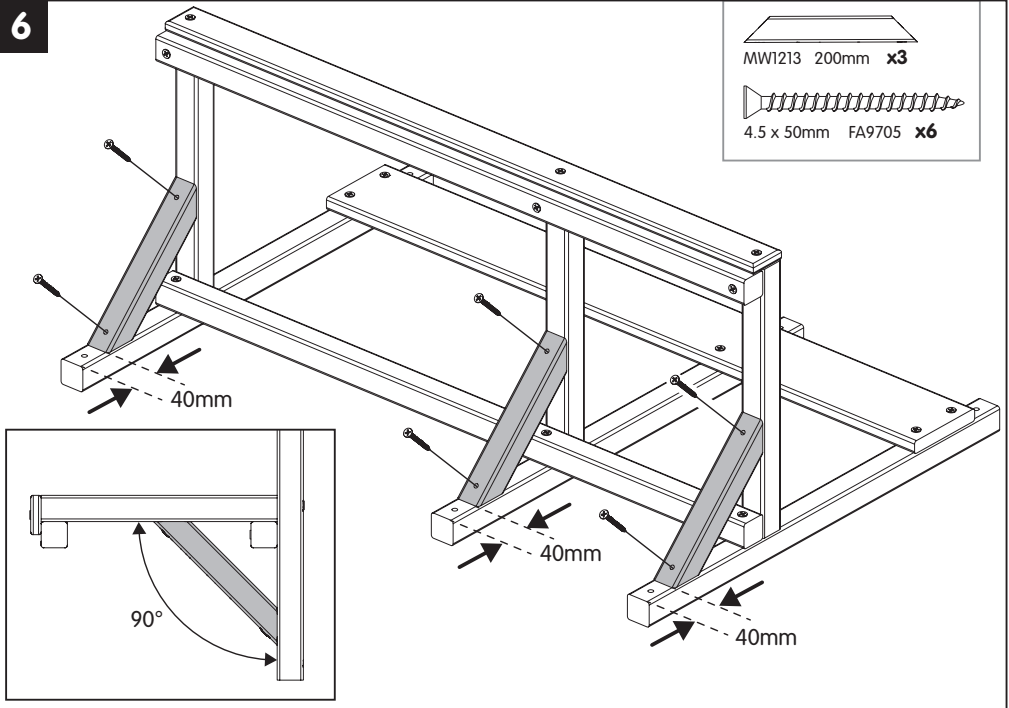


6

TP297 Mud Kitchen

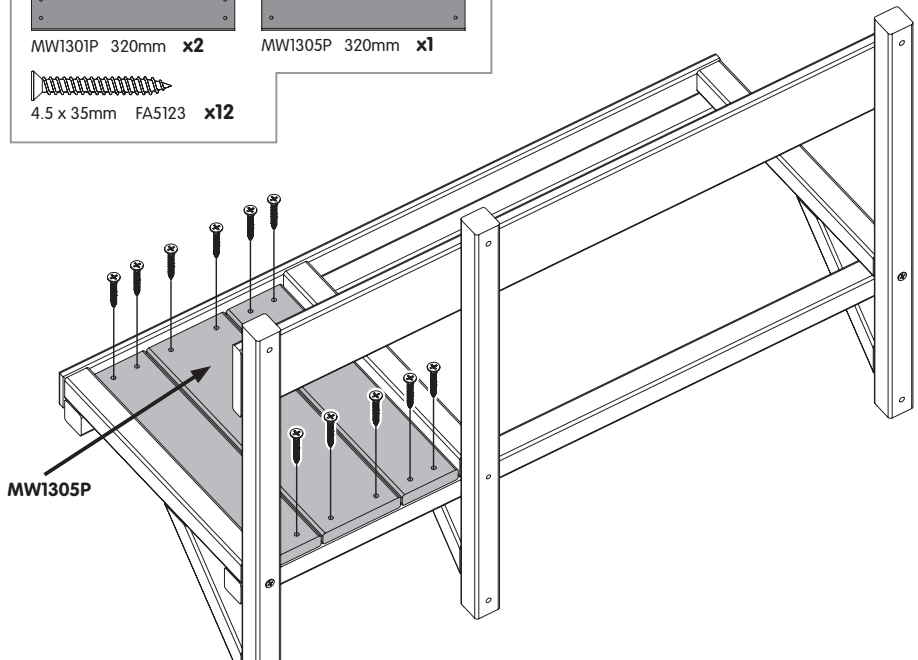
6

MW1213 200mm x3
 4.5 x 50mm FA9705 x6



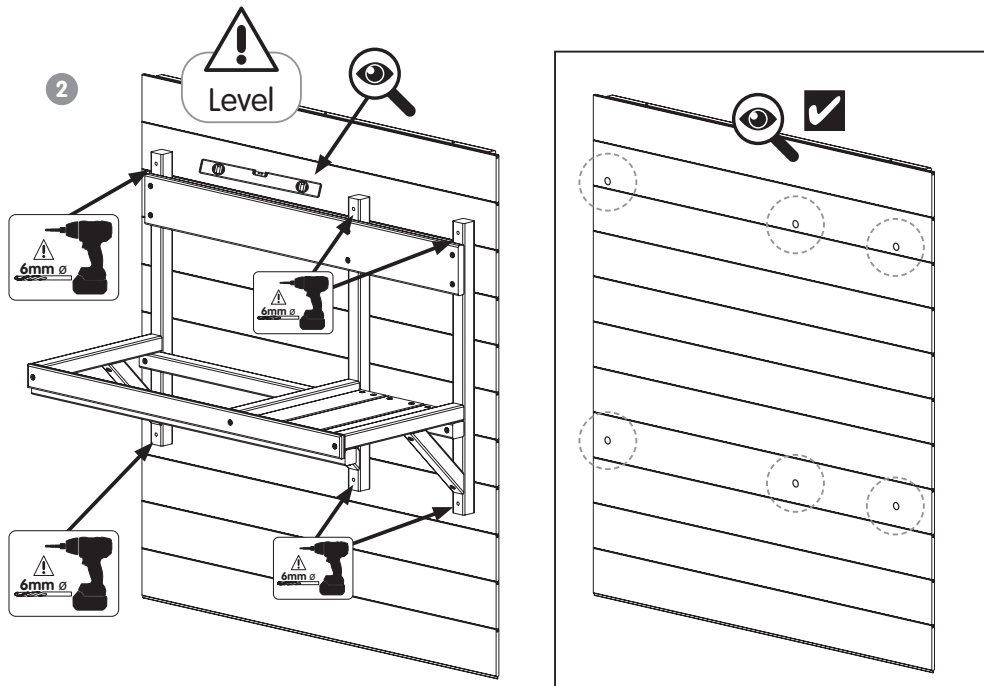
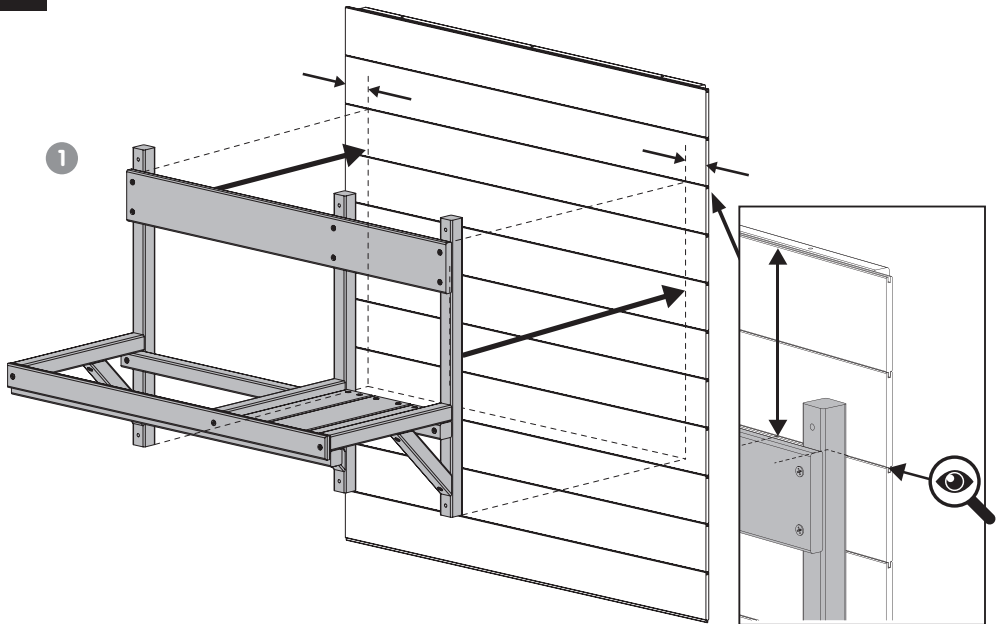
7

MW1301P 320mm x2 MW1305P 320mm x1
 4.5 x 35mm FA5123 x12

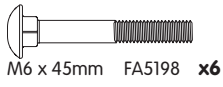


7

TP297 Mud Kitchen



9



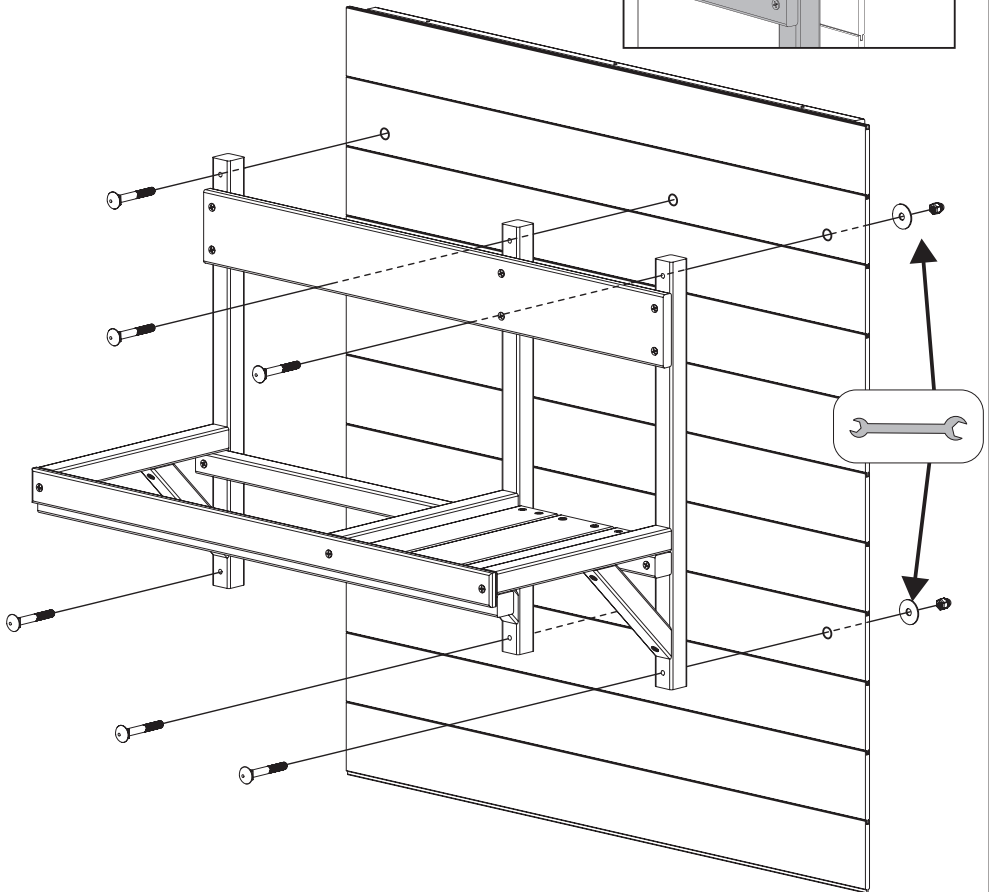
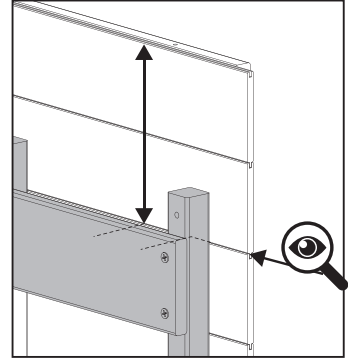
M6 x 45mm FA5198 x6



M6 x25mm
FA5095
x6



M6 Dome Nut
FA5192
x6



9

TP297 Mud Kitchen

10



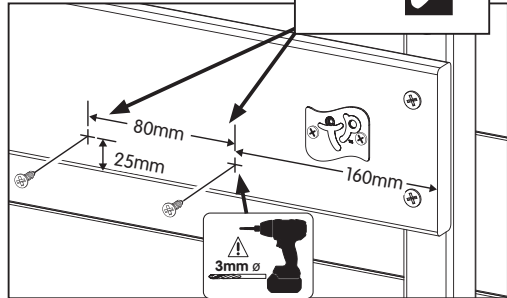
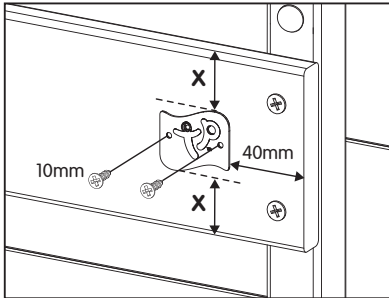
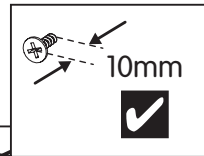
PR7930 x1



3 x 10mm
FA4500 x2



4.5 x 20mm
FA4528 x2



11



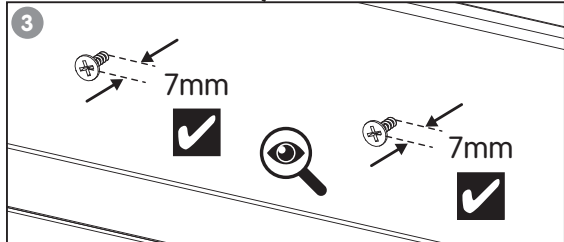
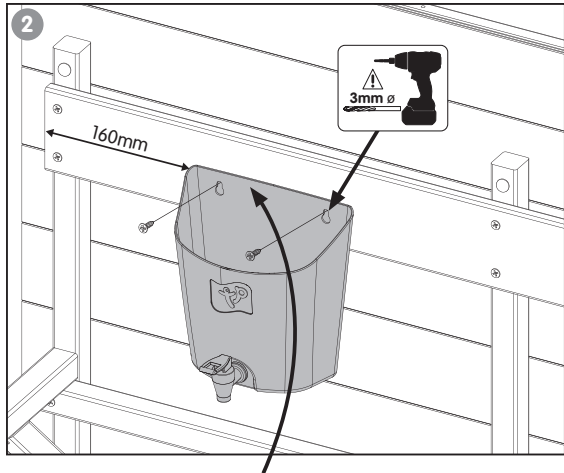
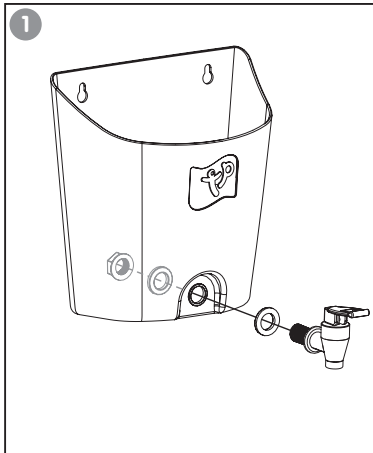
PM1966 x1



4 x 16mm
FA4527 x2

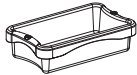


PM1969 x1

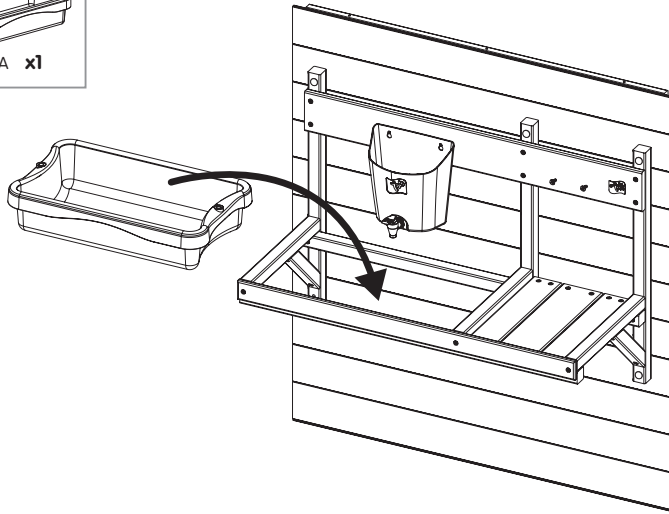
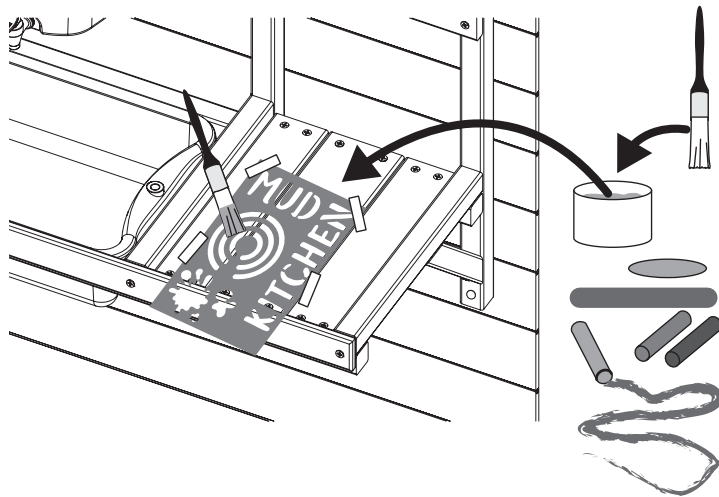


10

TP297 Mud Kitchen

12

PM5009A x1

**13**FC0018
x1**14**

This playhouse kitchen accessory is supplied complete with fixings for attachment to a TP playhouse, see full instructions.

The kitchen can be attached to many other flat vertical surfaces. Please use the pre-drilled holes in the kitchen and ensure the fixings used are appropriate for the surface you are attaching the kitchen to.

Please note when choosing to attach the kitchen to any surface other than a TP playhouse with the supplied fittings, you do so entirely at your own risk.



Thank you

Thank you for purchasing this product.

Please register your new product on line at tptoys.com

www.tptoys.com/customer/productregistration

Find out about the guarantee for this product,

visit **www.tptoys.com/customer/pages/guaranteeinformation**

For customer services and help with your product,

visit **www.tptoys.com/customer/help**

Your TP Guarantee Number/Product Batch No is