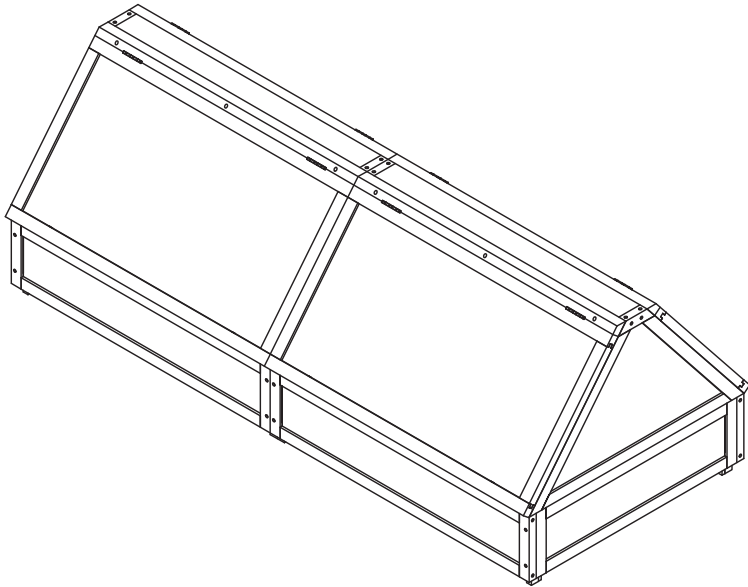
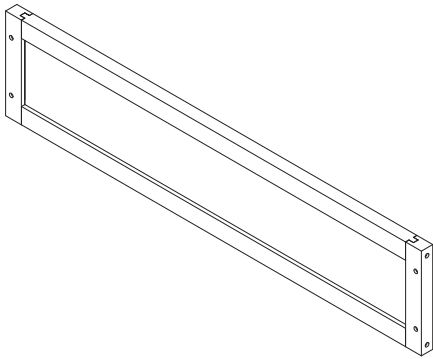
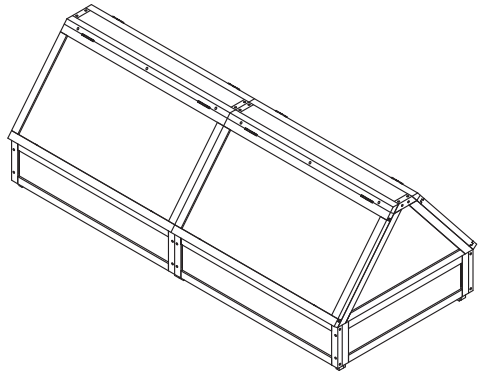
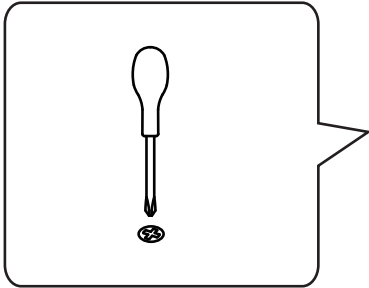


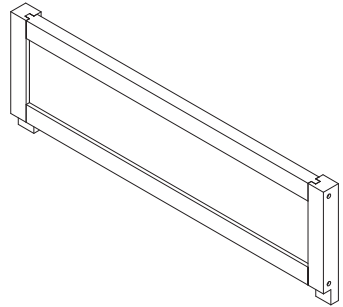
Cold frame 1.8m



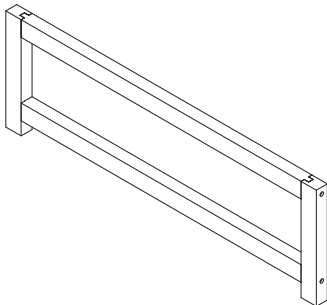
Cold frame 1.8m



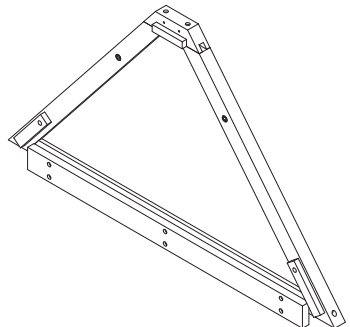
A x 4



B x 2

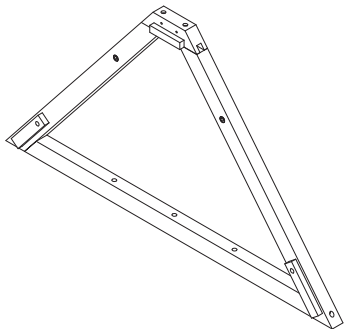


C x 2

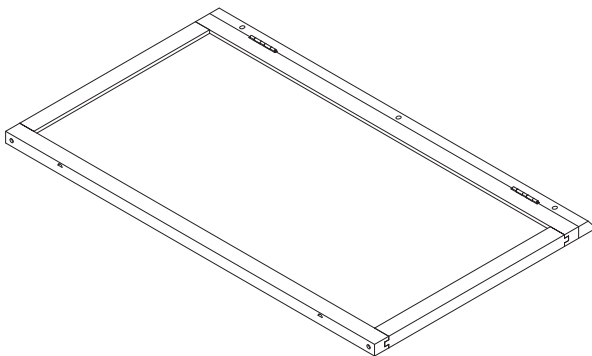


D x 2

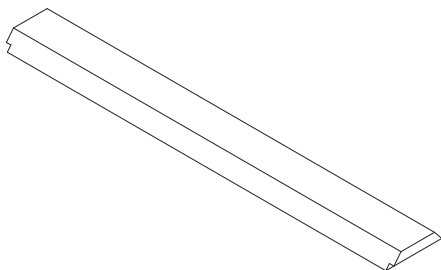
Cold frame 1.8m



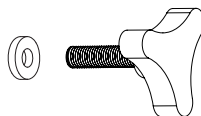
E x 2



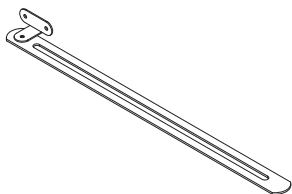
F x 4



G x 2



H x 8



I x 8



M3 X 13



M3.5 X 30



M3.5 X 40

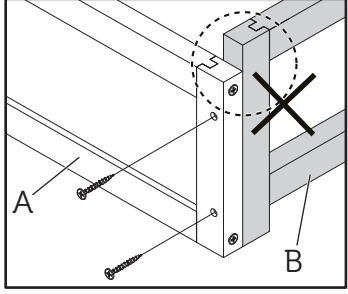
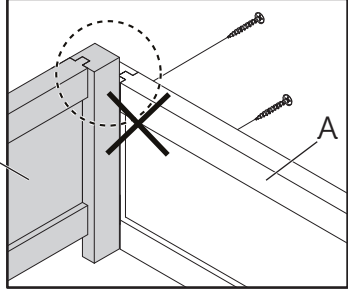
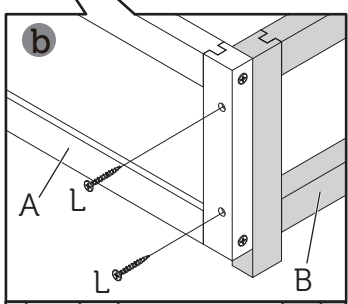
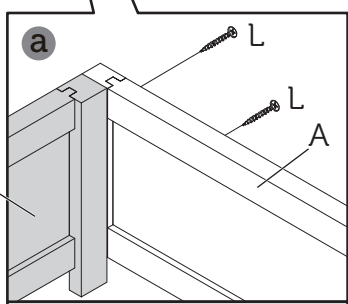
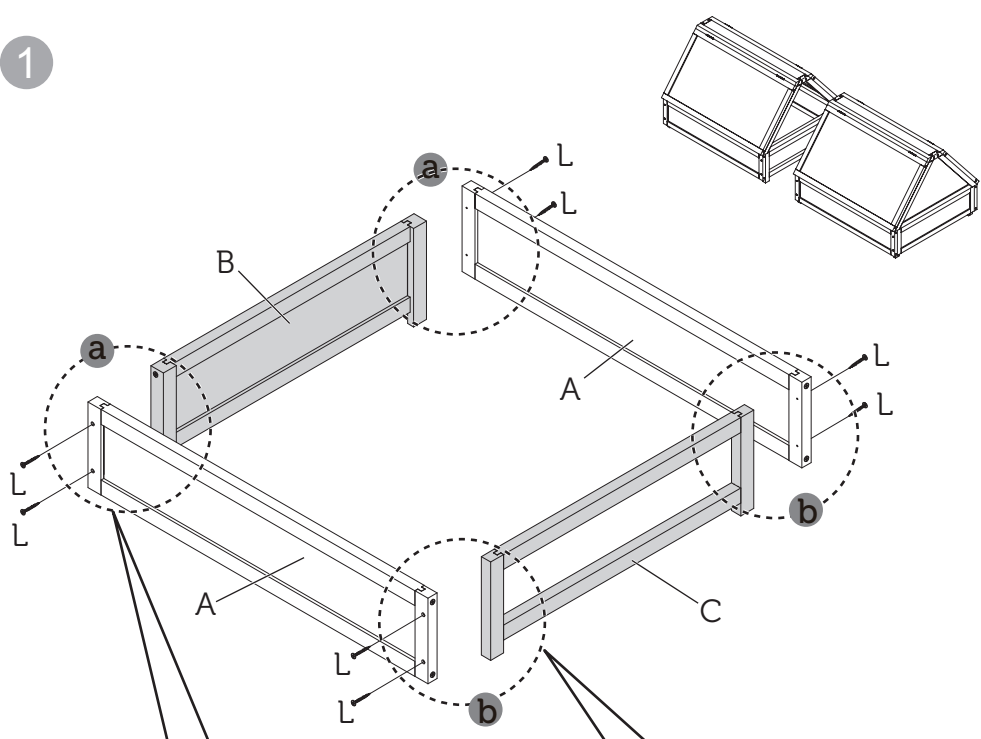
J x 16

K x 6

L x 42

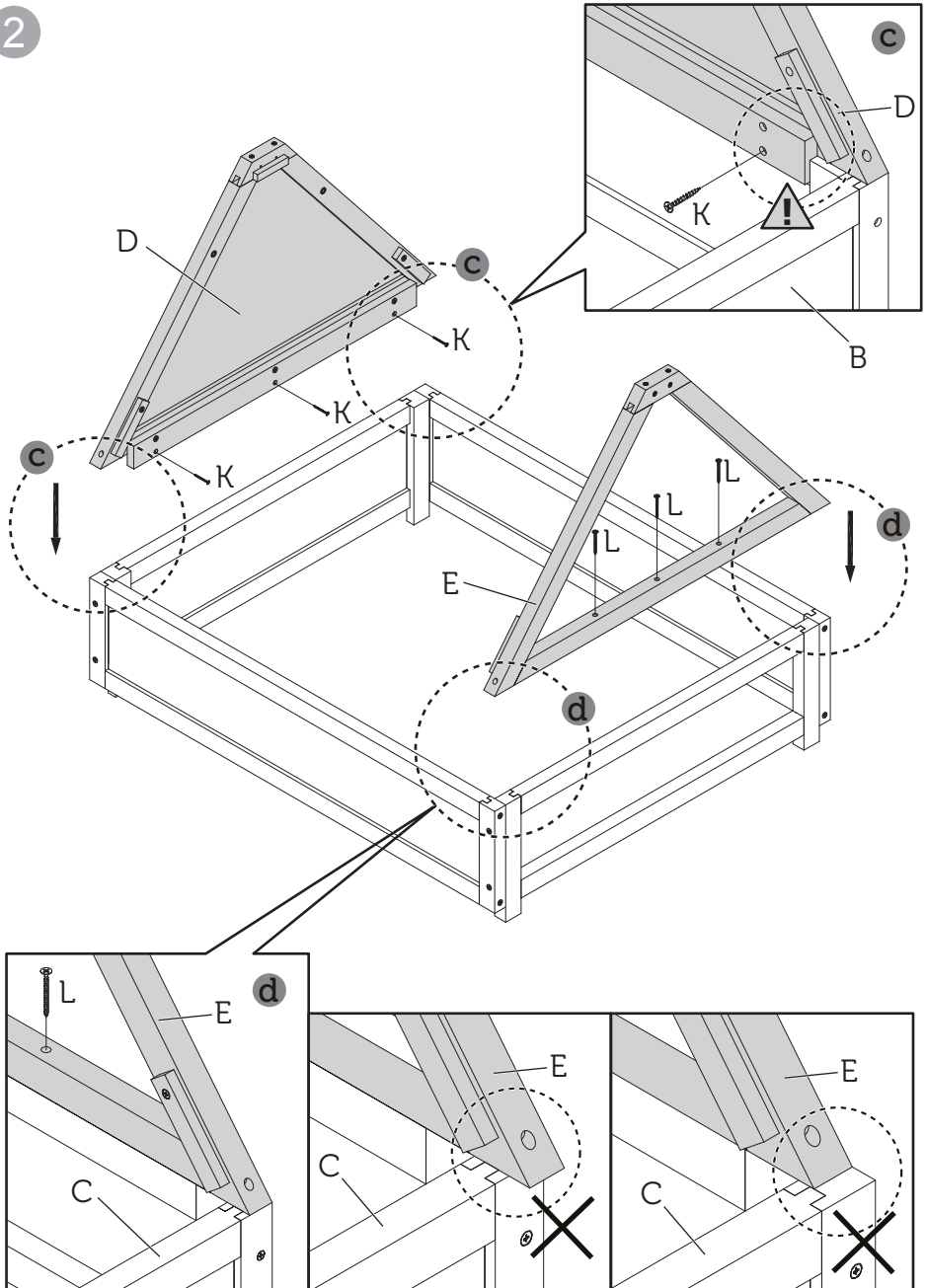
Cold frame 1.8m

1



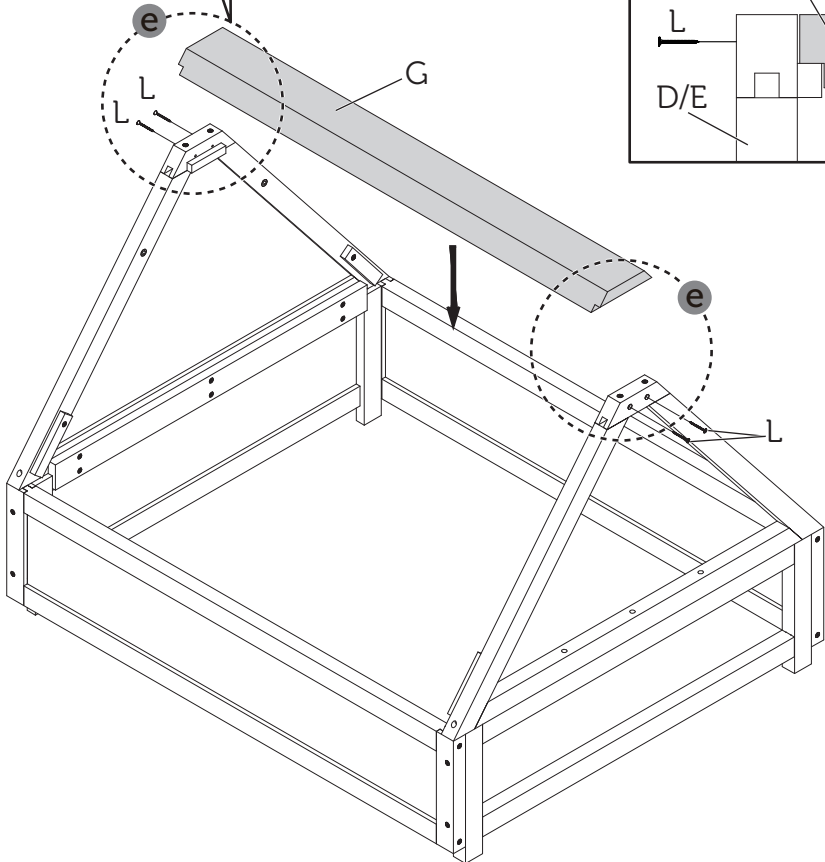
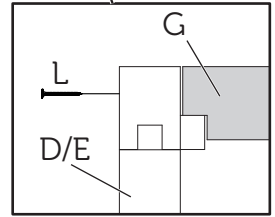
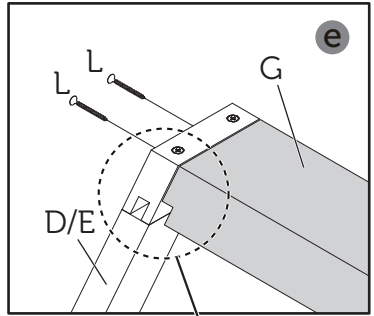
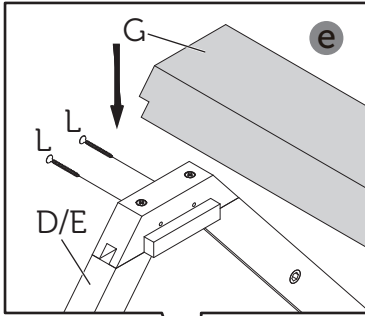
Cold frame 1.8m

2



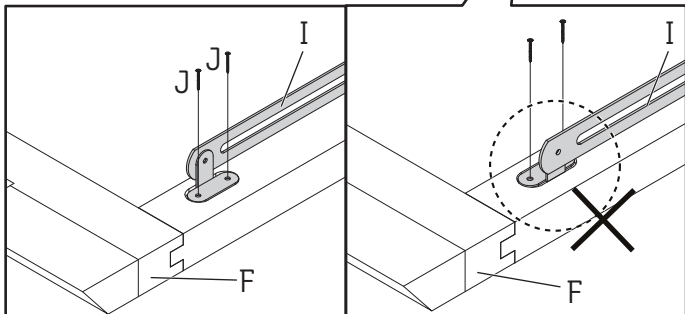
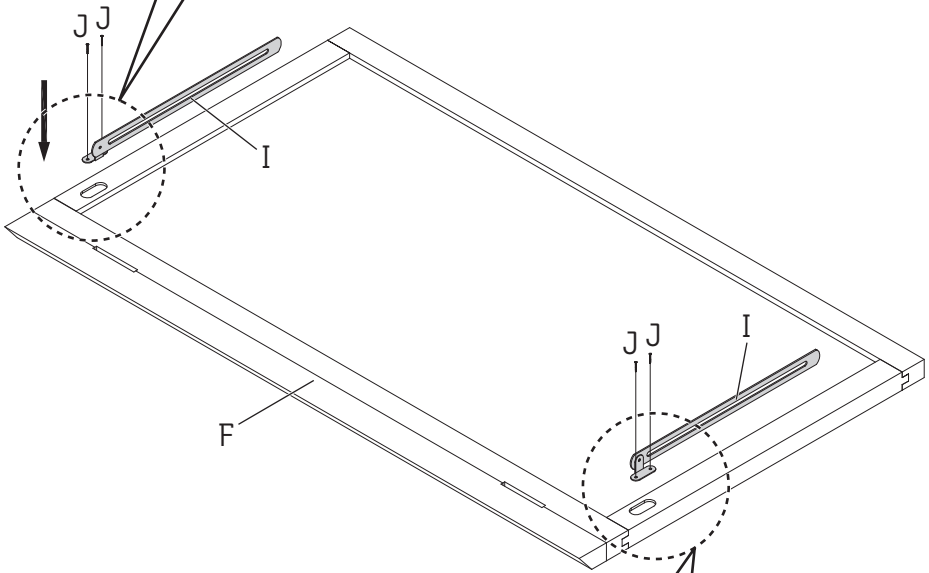
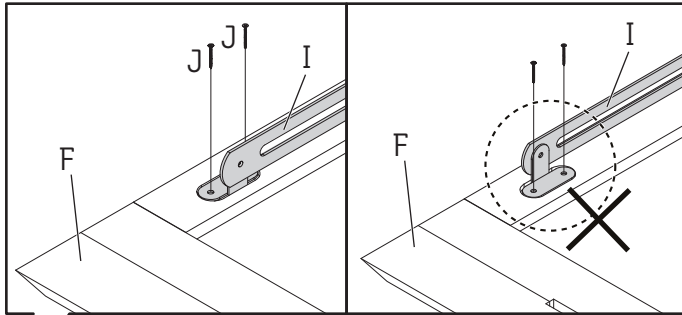
Cold frame 1.8m

3



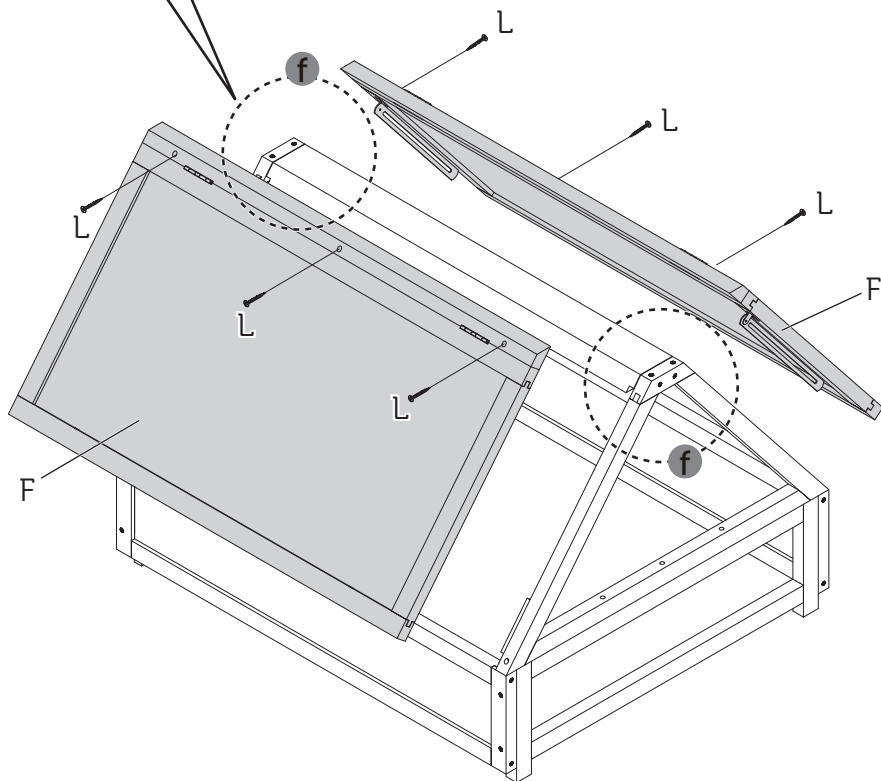
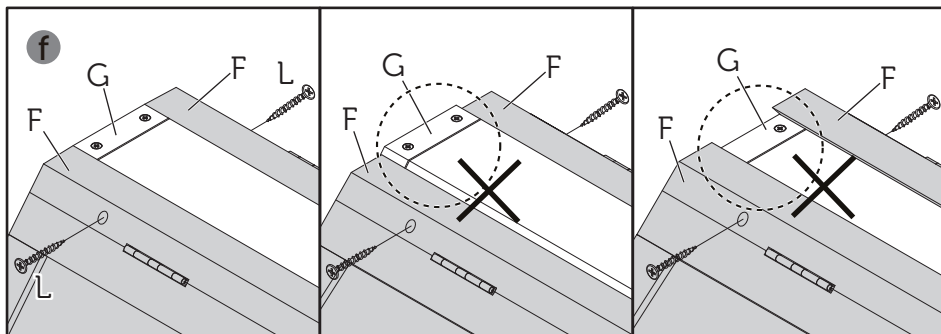
Cold frame 1.8m

4



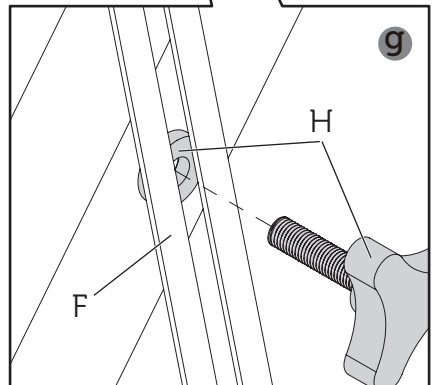
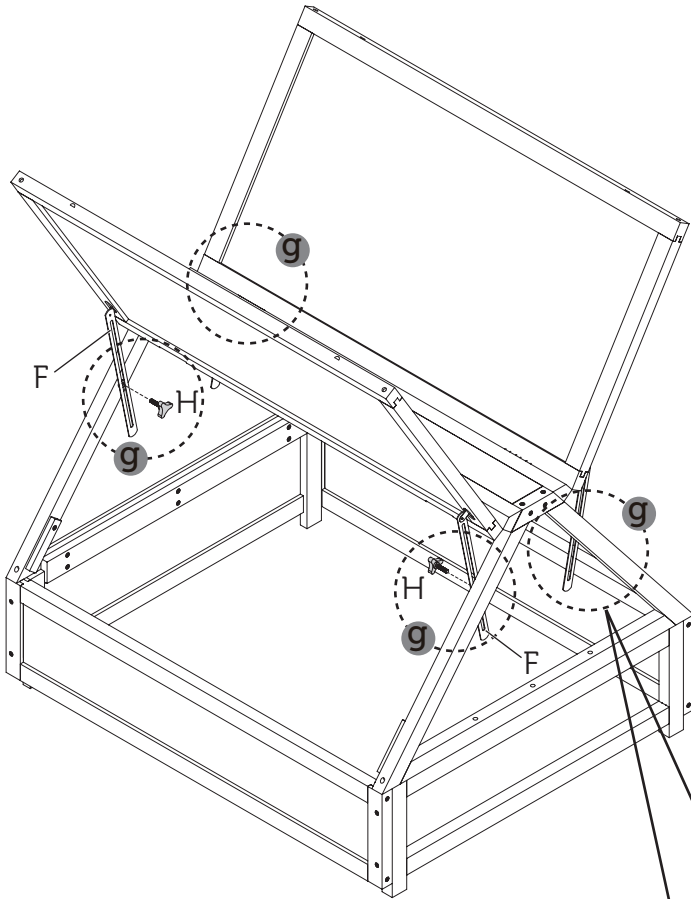
Cold frame 1.8m

5



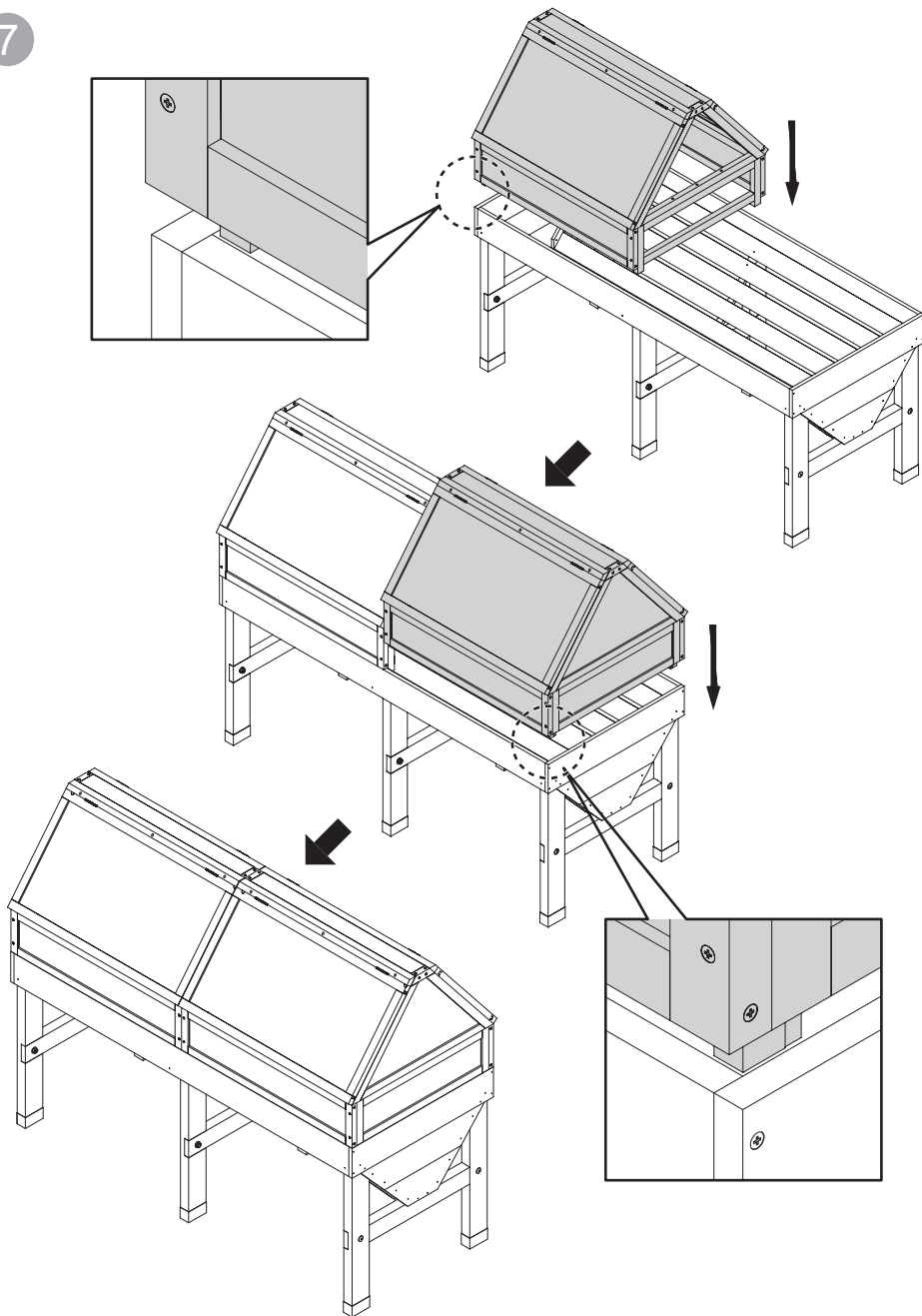
Cold frame 1.8m

6



Cold frame 1.8m

7



Cold frame 1.8m

8

