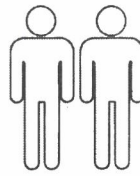
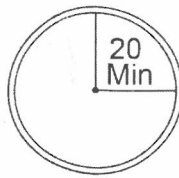
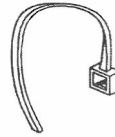
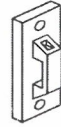


Art. No.67695



(1 Pcs.)

(6x12mm)
(54 Pcs)



(6x12mm)
(12 Pcs)

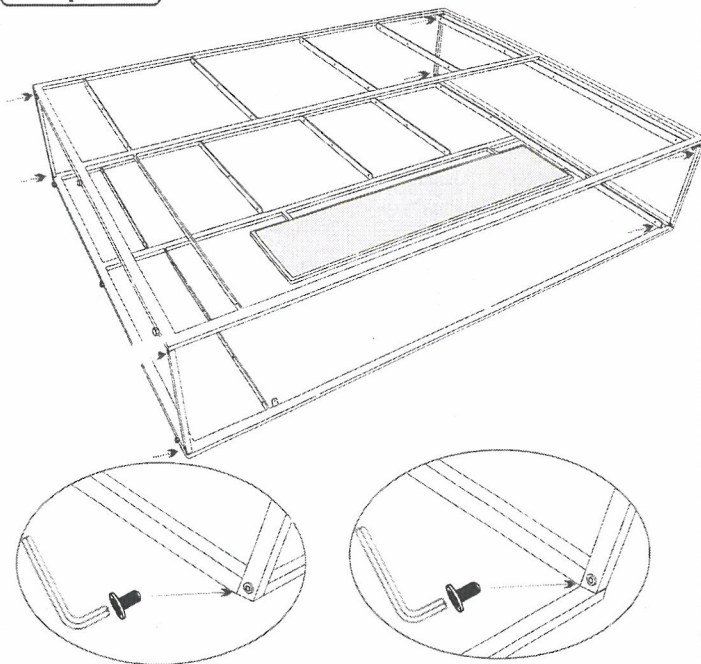
(02 Pcs.)

(02 Pcs.)

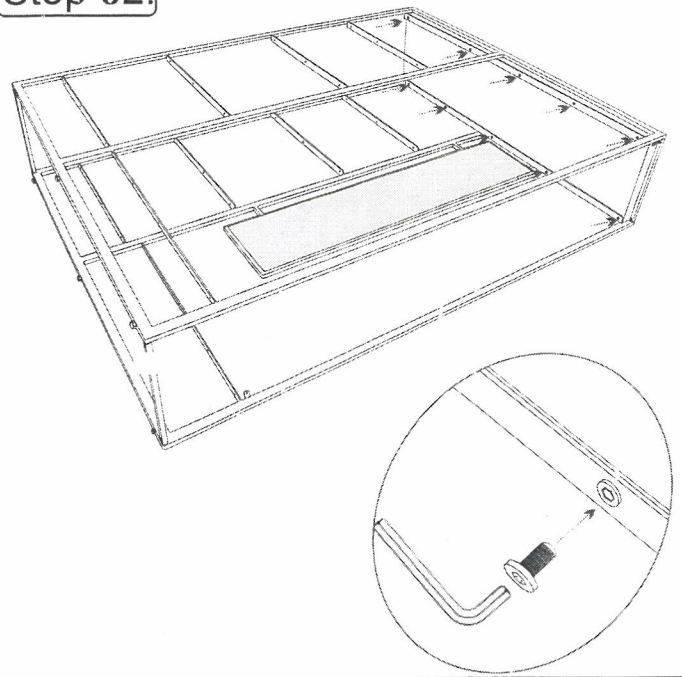
(6x30mm)

(04 Pcs.) (04 Pcs.)

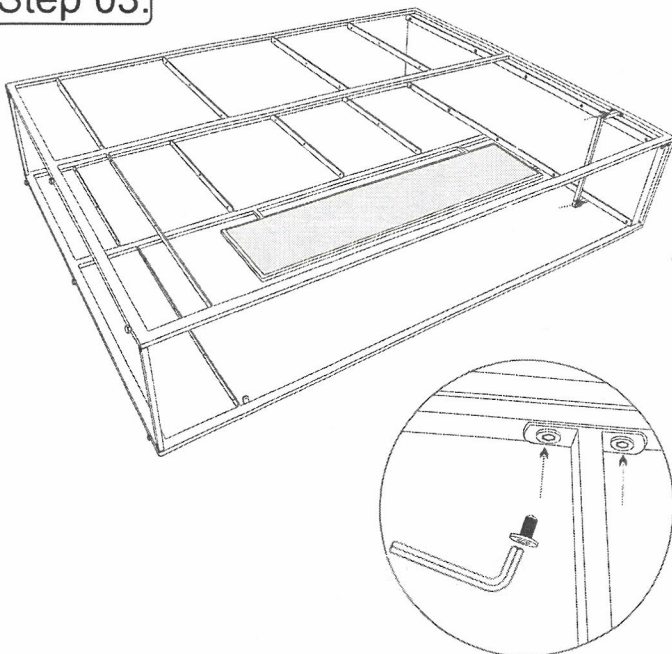
Step 01.



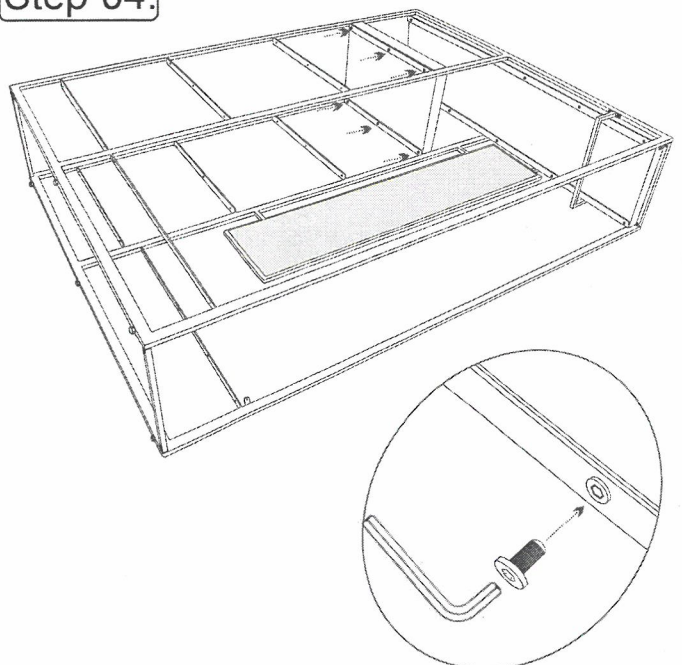
Step 02.



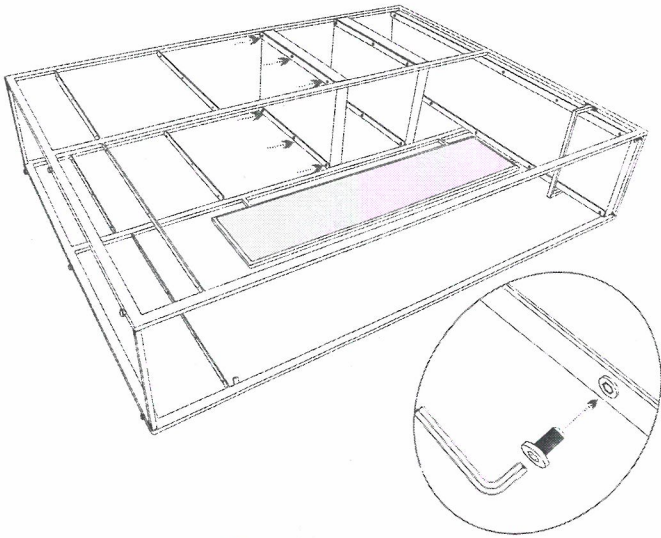
Step 03.



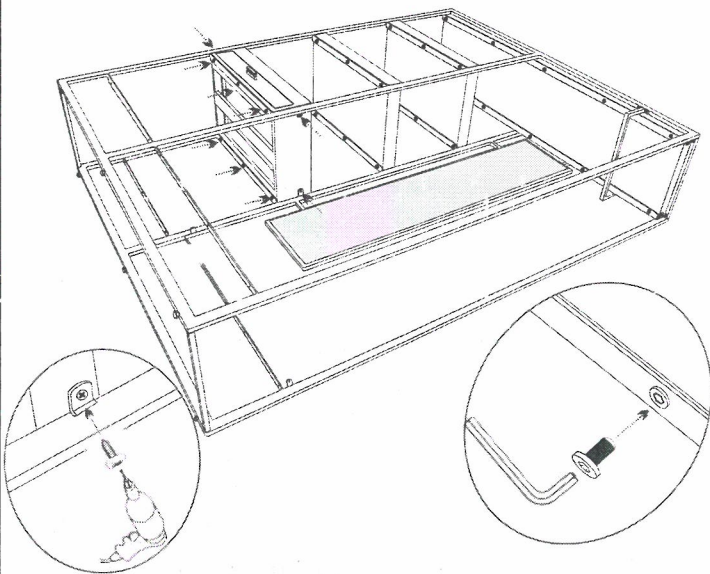
Step 04.



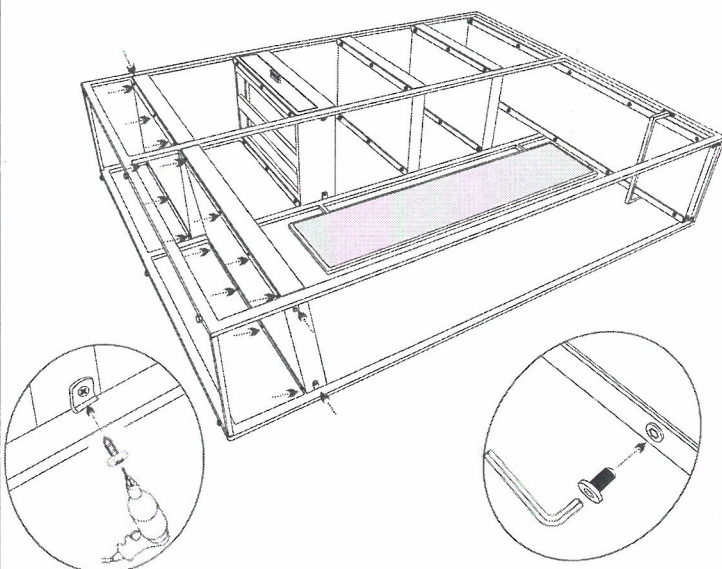
Step 05.



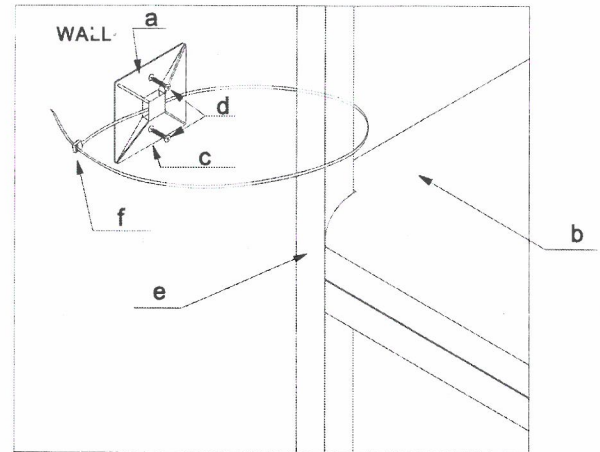
Step 06.



Step 07.

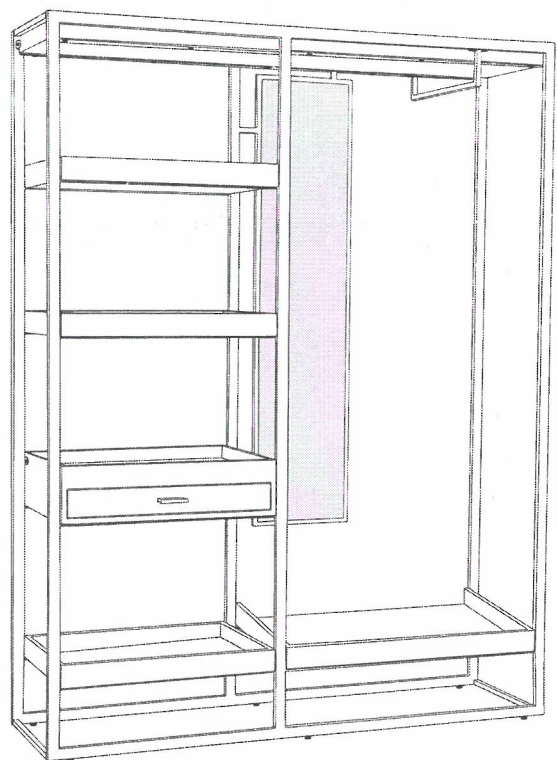


Anti-Tipping Hardware kit ASSEMBLY INSTRUCTION



STEPS:

- (a) Mark stud locations on wall with corresponding locations at top of furniture
- (b) Move furniture away from wall
- (c) Position bracket on stud
- (d) Screw brackets into studs
- (e) Move furniture close to the wall and line up back frame with the bracket
- (f) Thread the plastic zip cord into wall bracket and around the furniture frame.



Assembled Product