

# DINING CHAIR

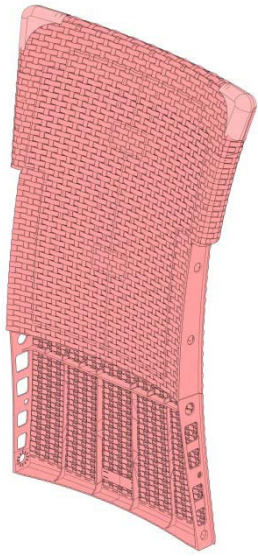
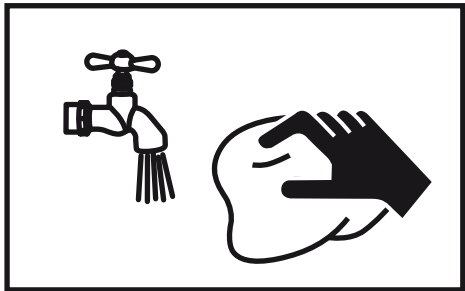
---



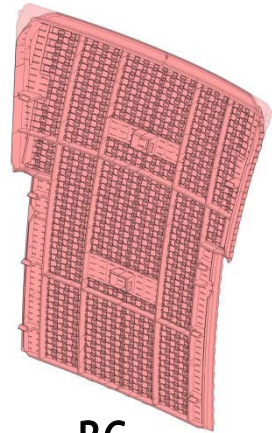
"DINING CHAIR" V10.2/ 568222 /442084



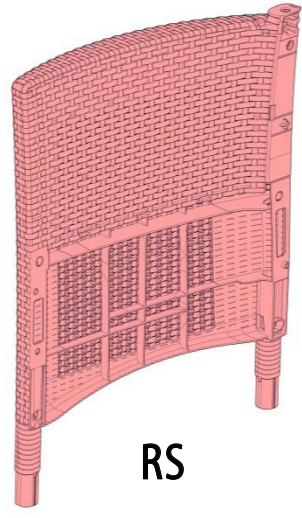
NEN 581		
✓	✓	✗



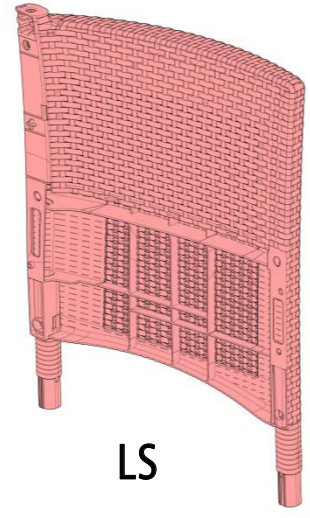
**B**



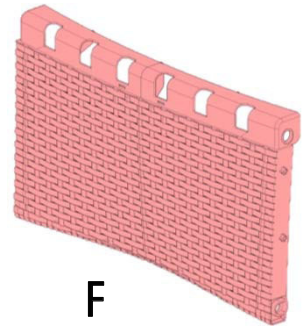
**BC**



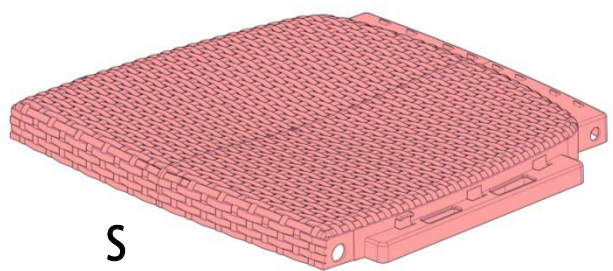
**RS**



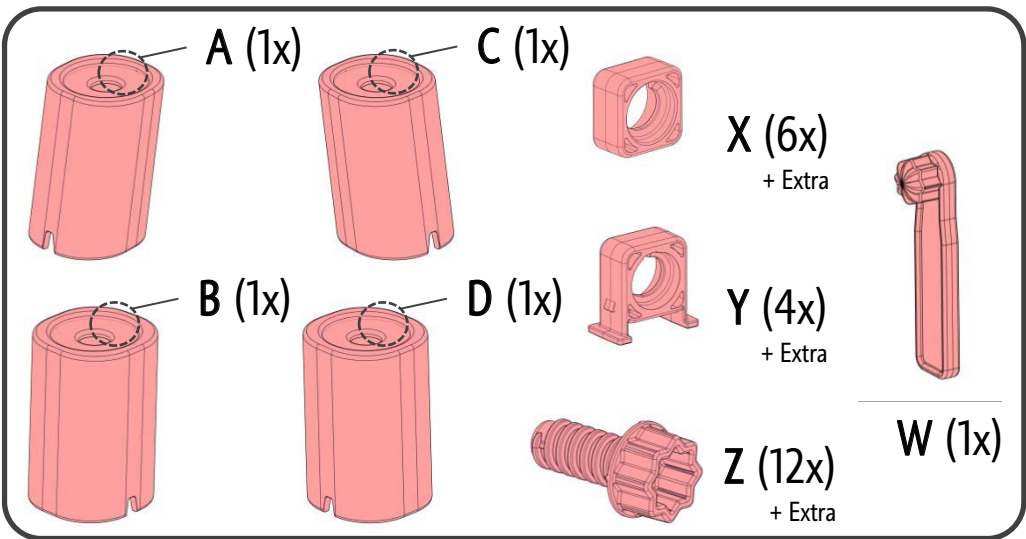
**LS**

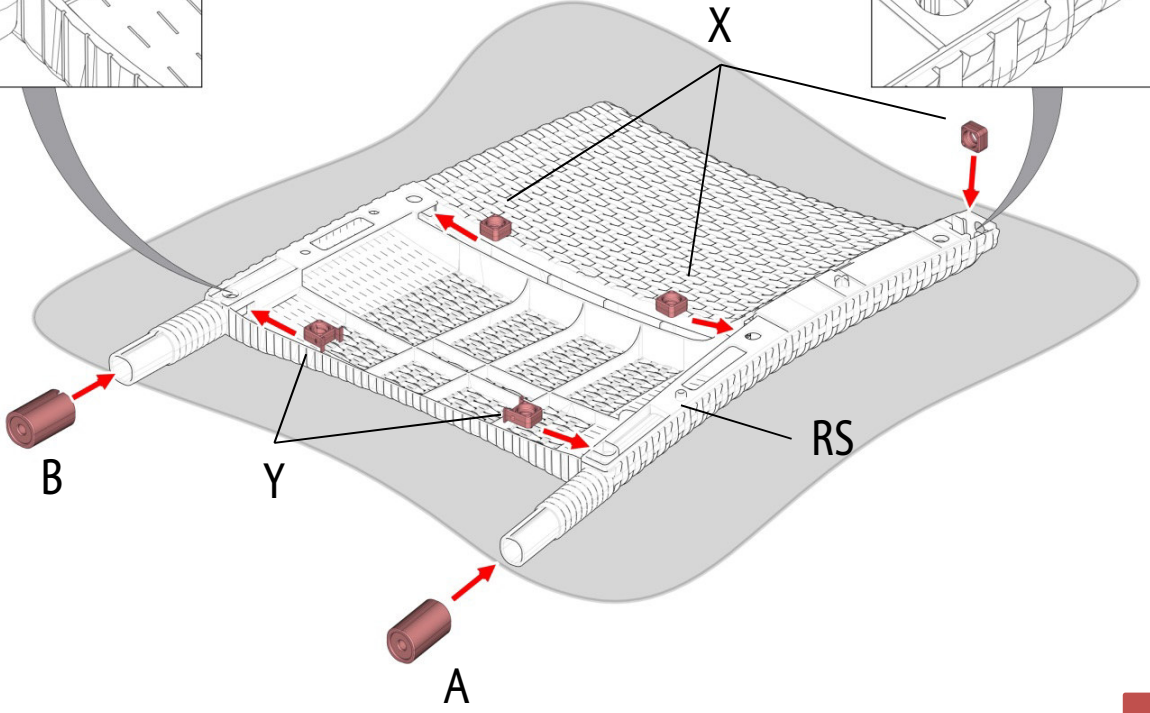
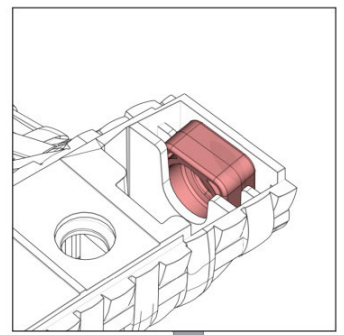
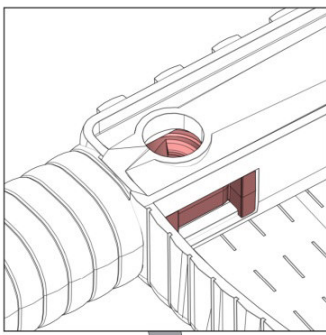


**F**

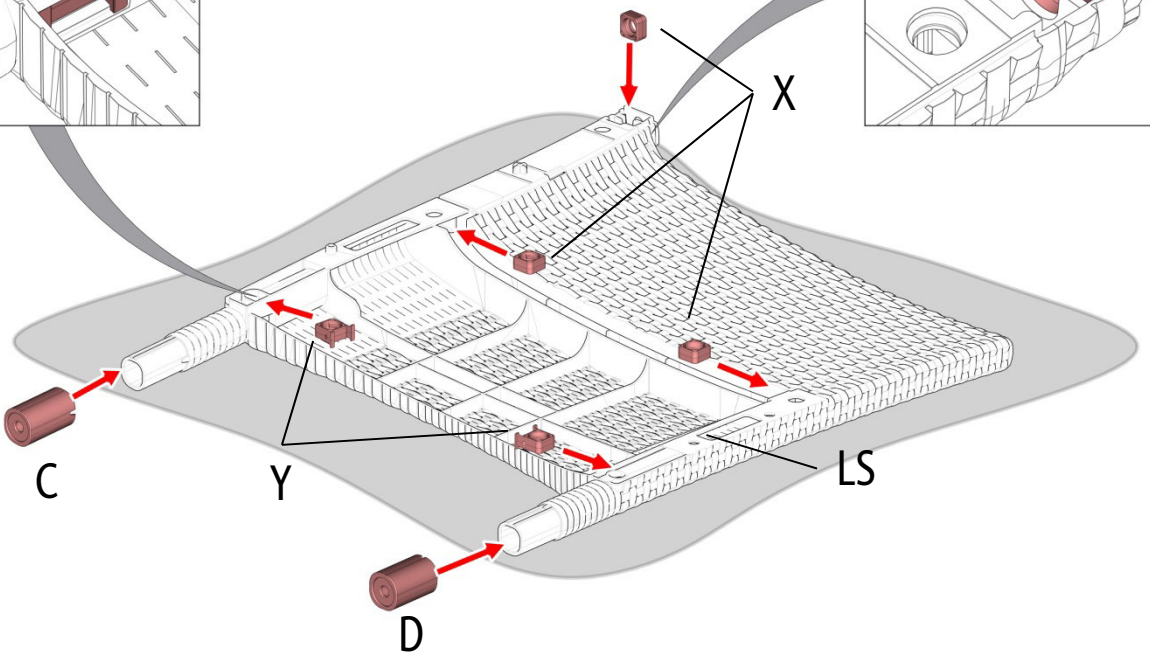
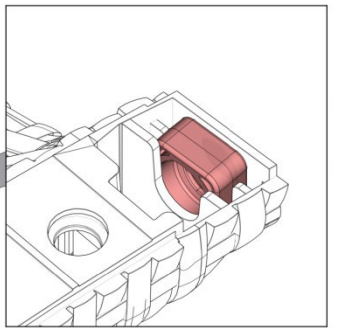
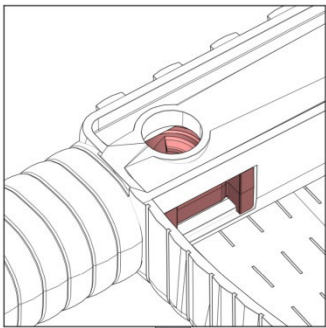


**S**

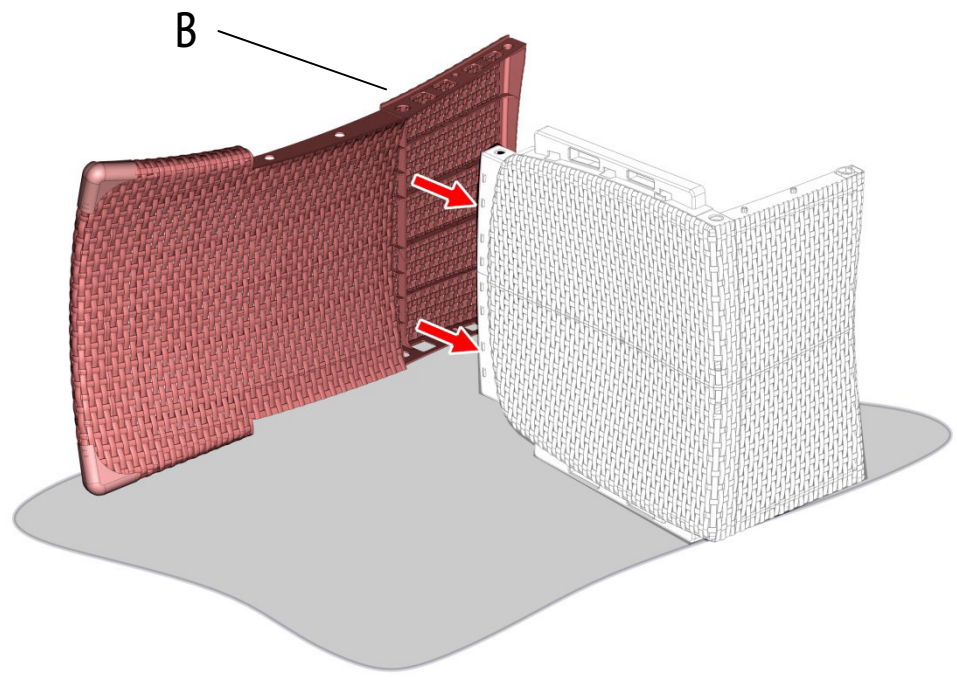
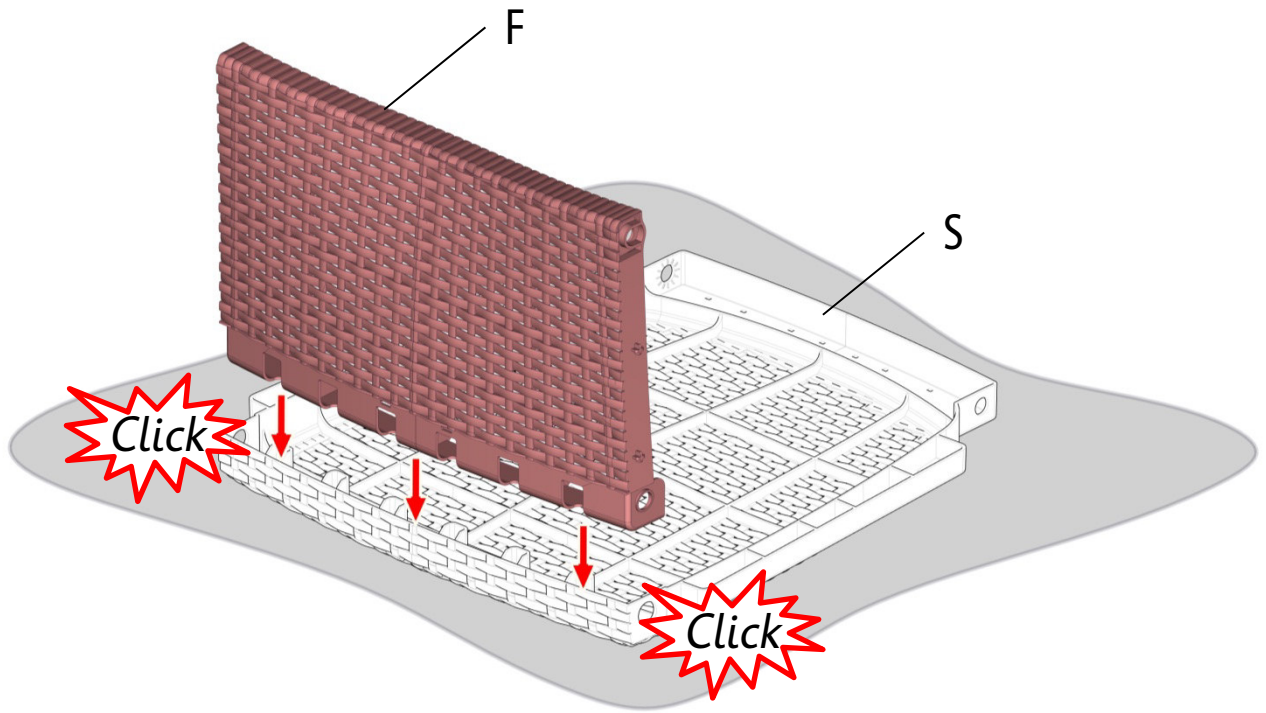


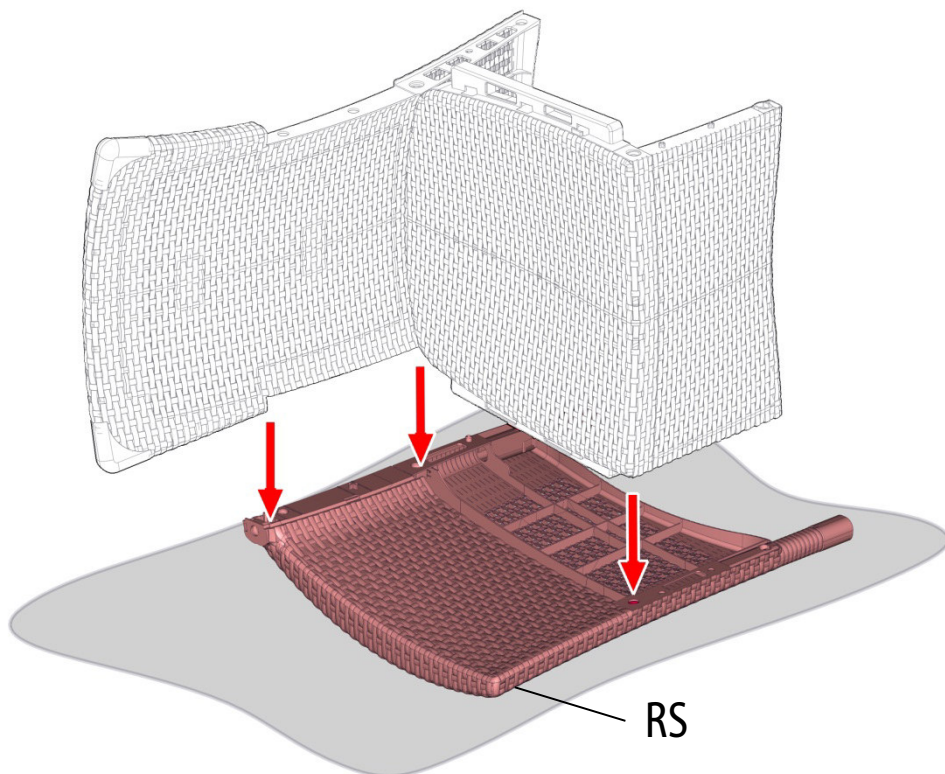


1

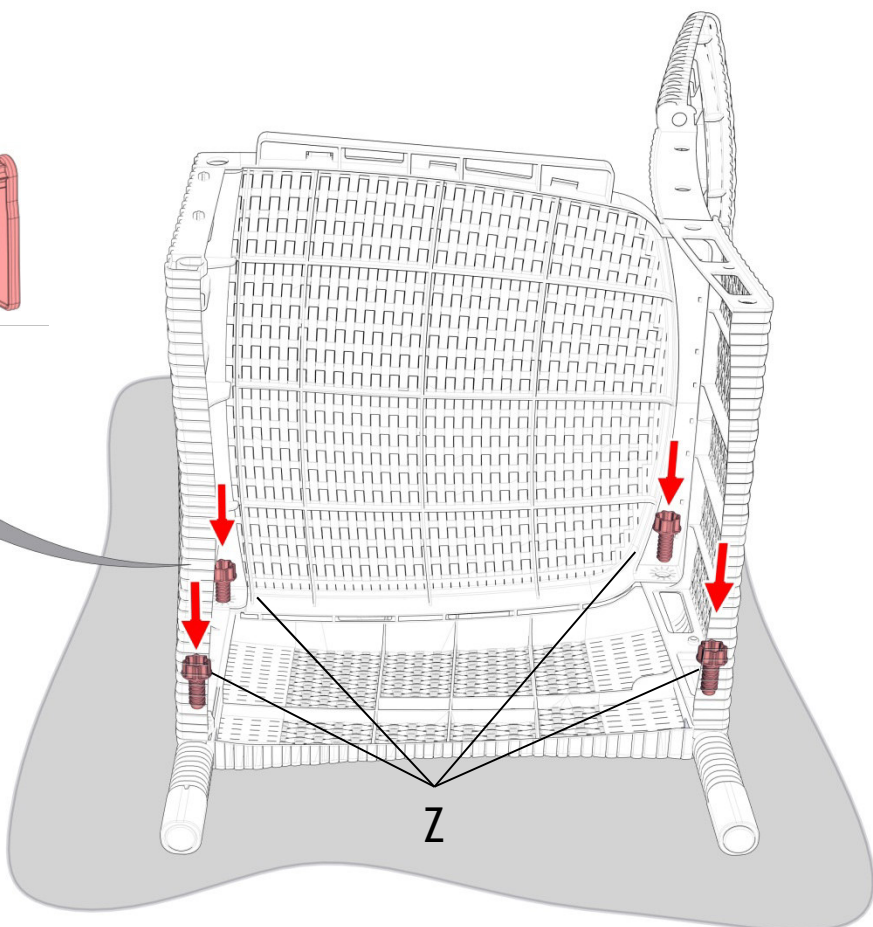
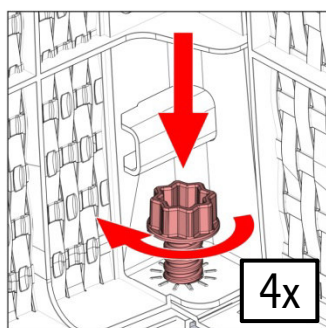


2

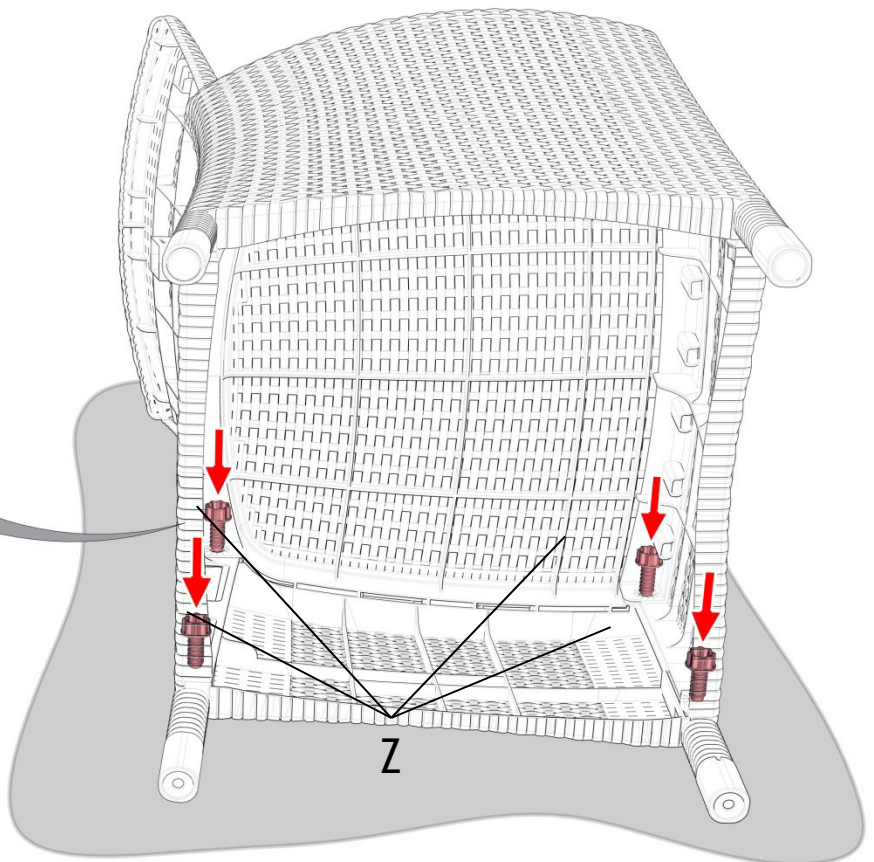
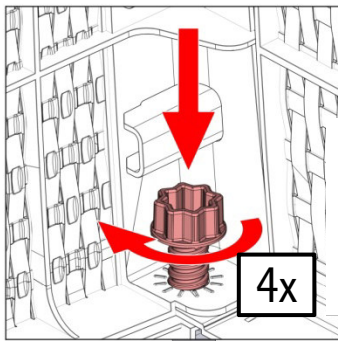
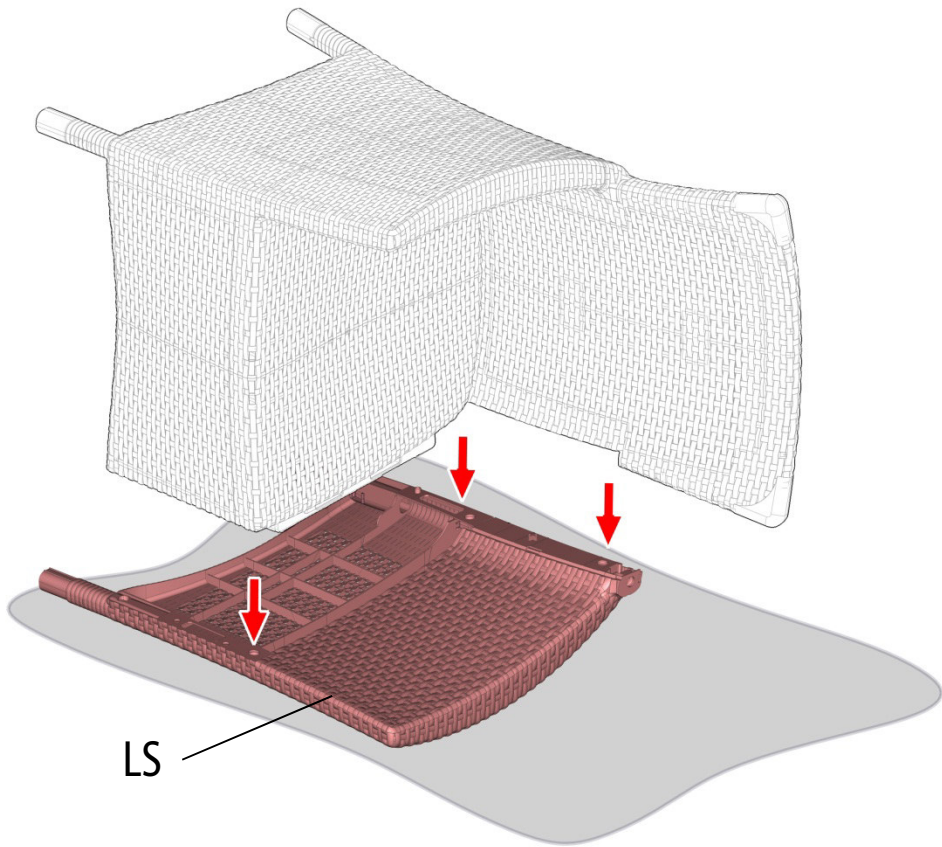


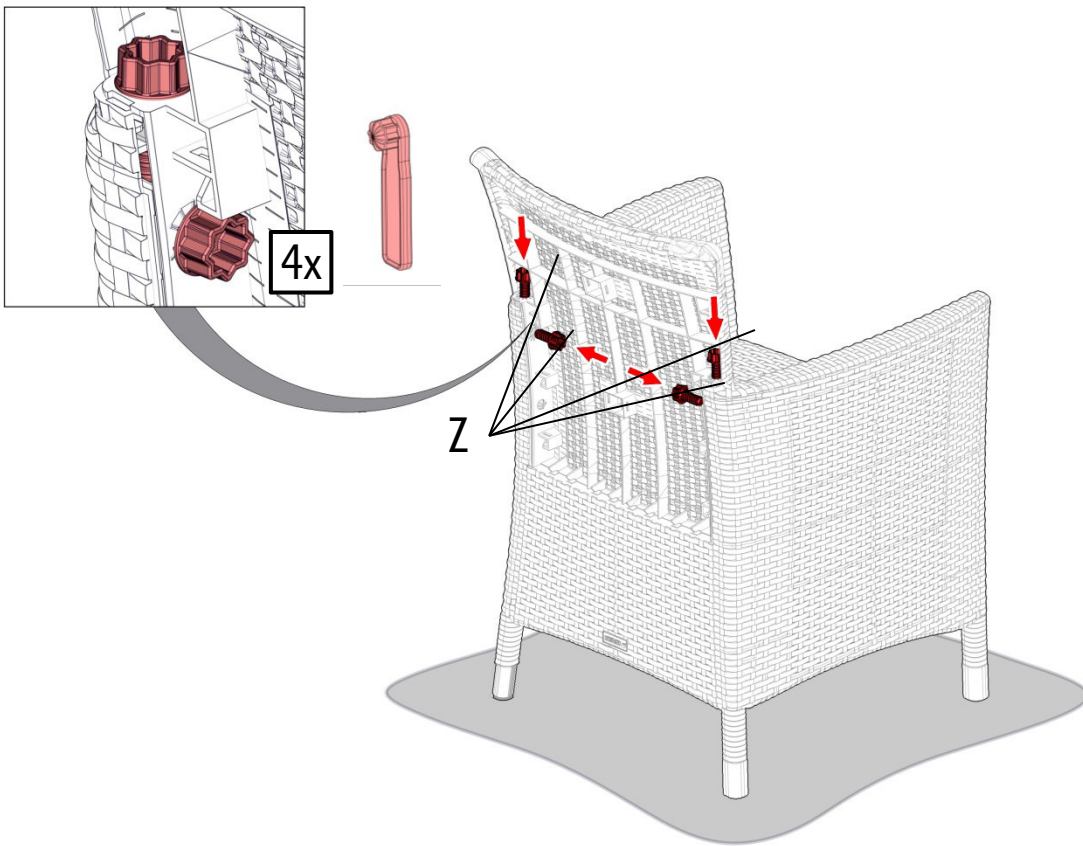


5

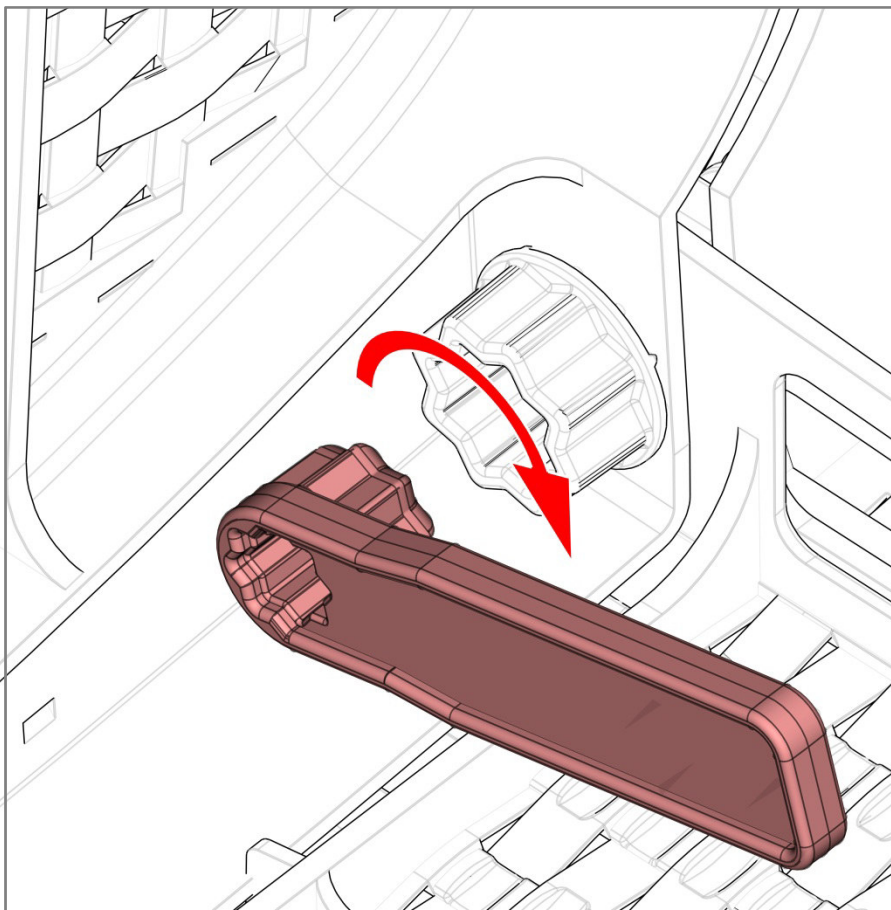


6





9



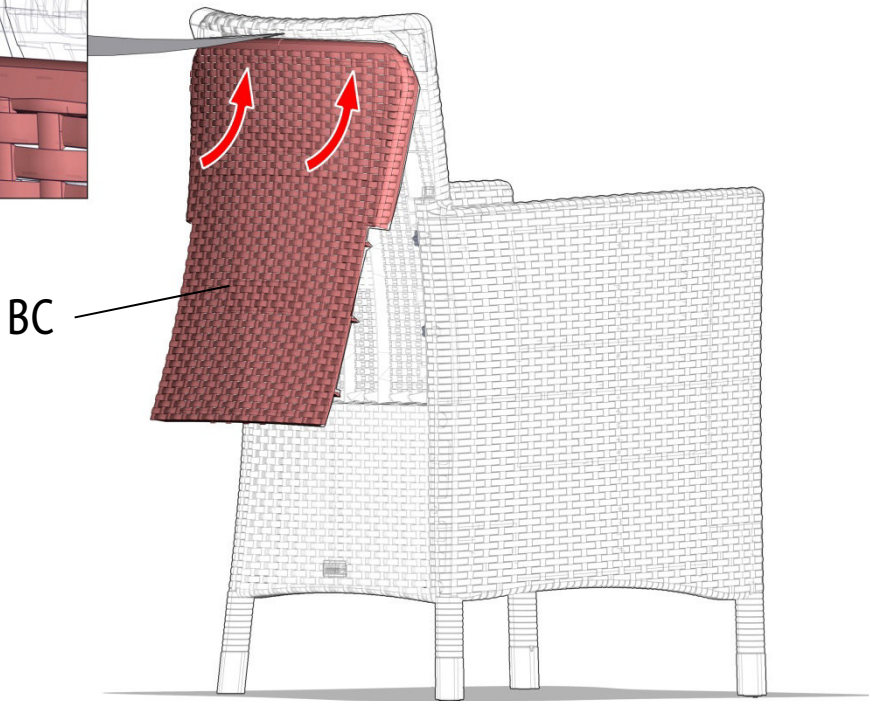
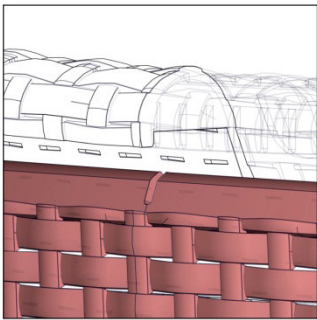
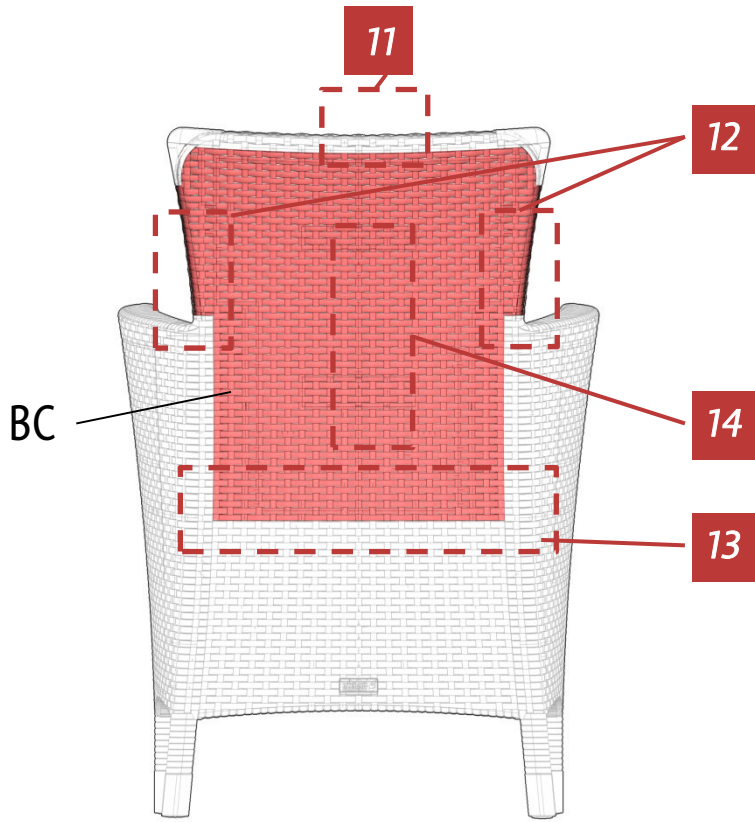
**!**

**CHECK**  
**12x**

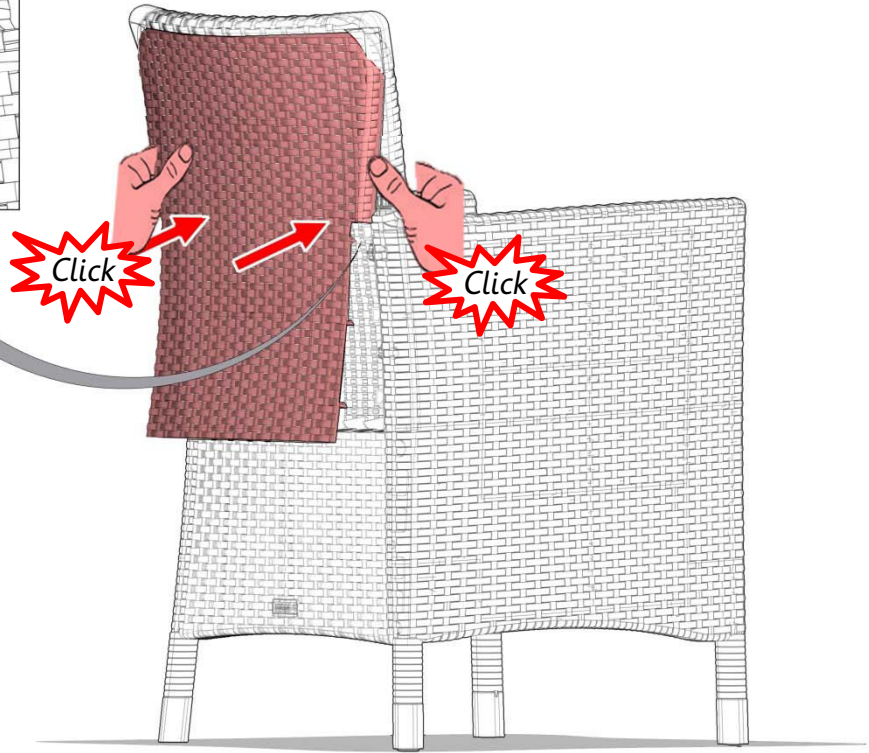
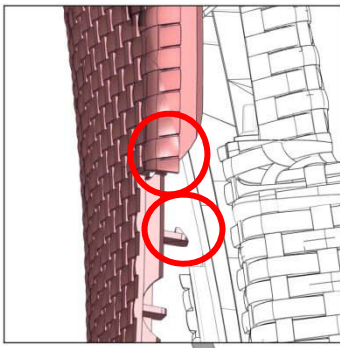
10



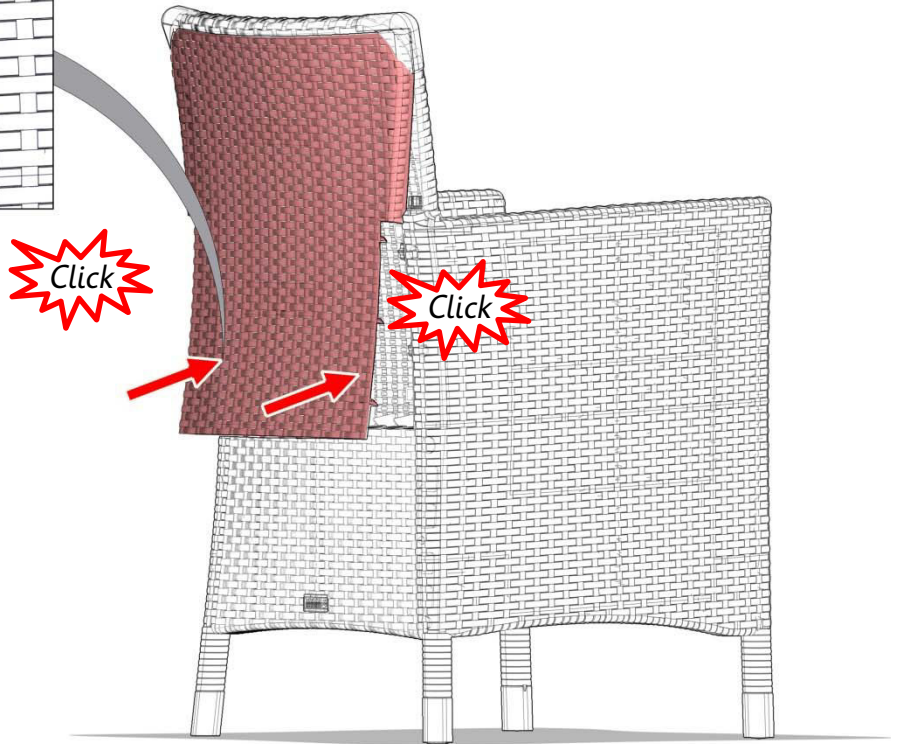
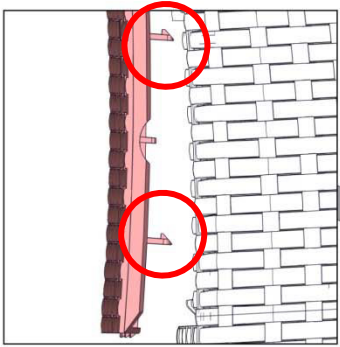
11 — 14



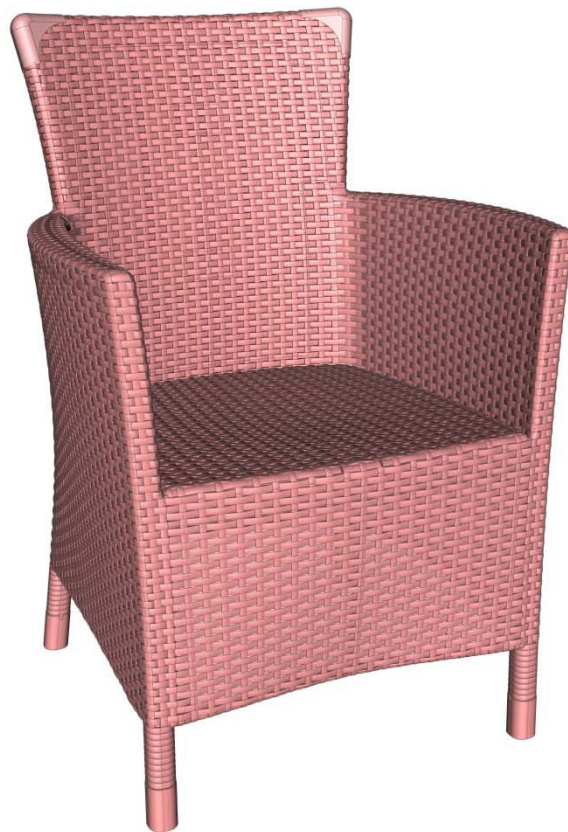
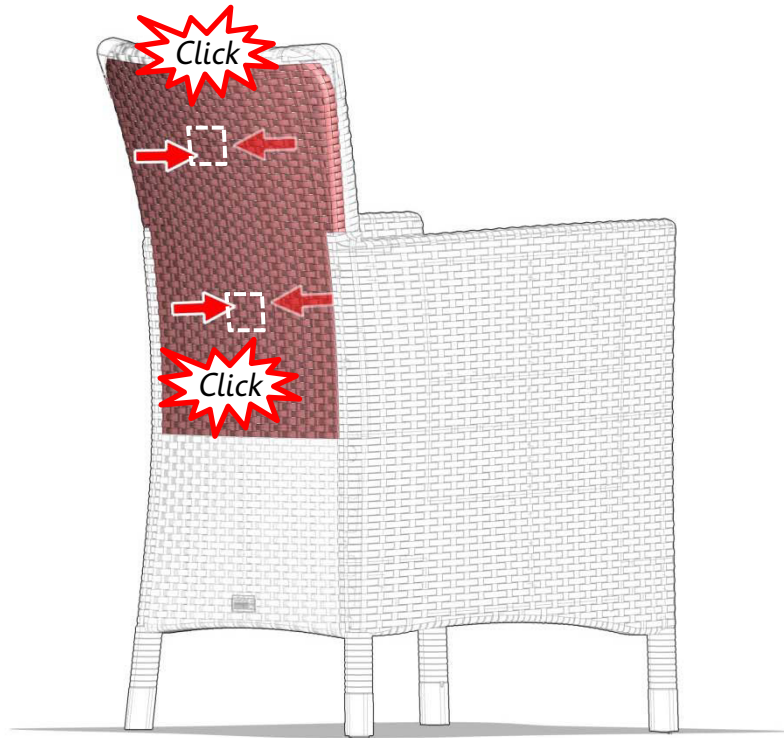




12

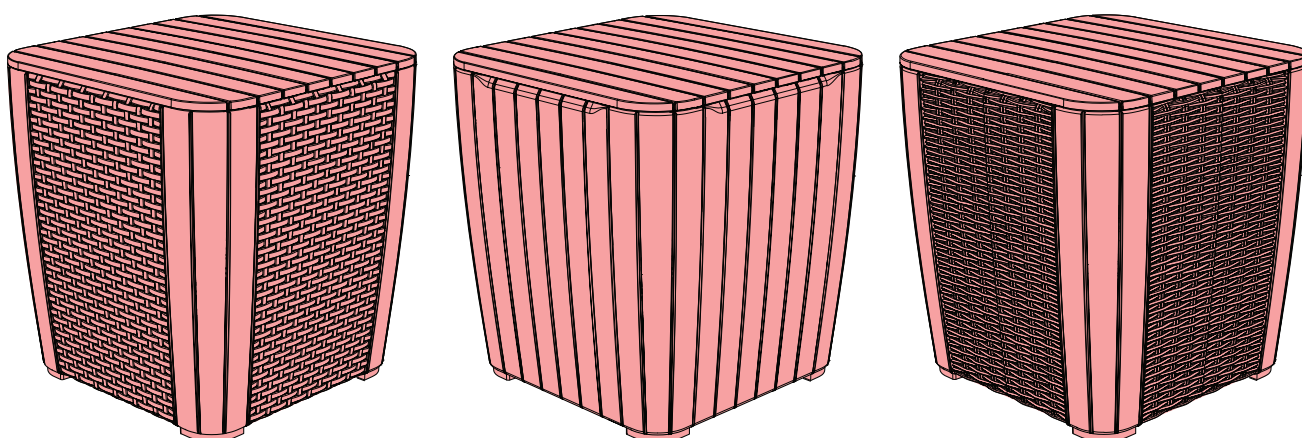


13



# SMALL BALCONY TABLE

---



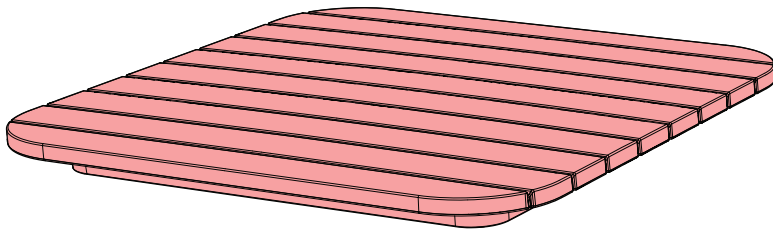
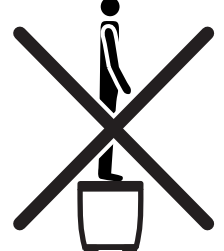
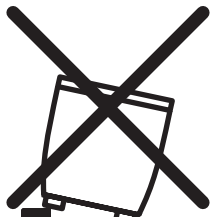
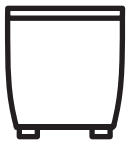
"LUZON TABLE" V1.2 / 573028 / 442160



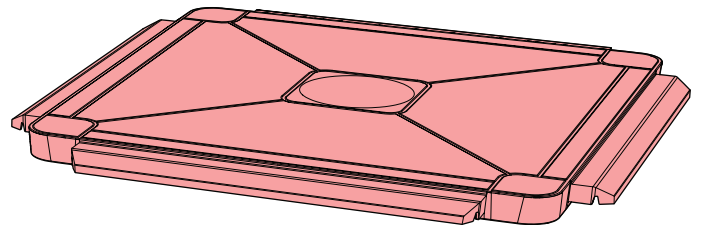
NEN 581



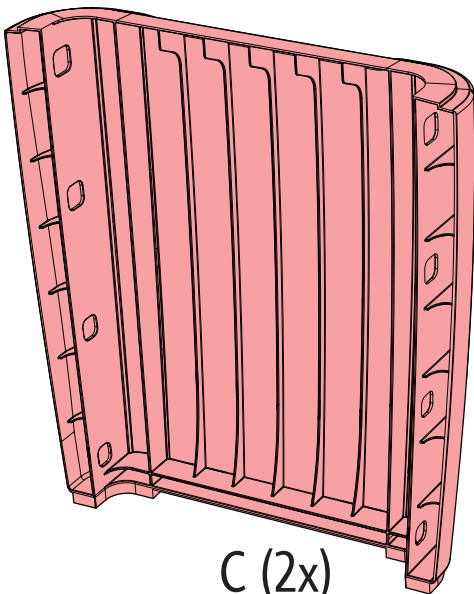
 < 110 kg



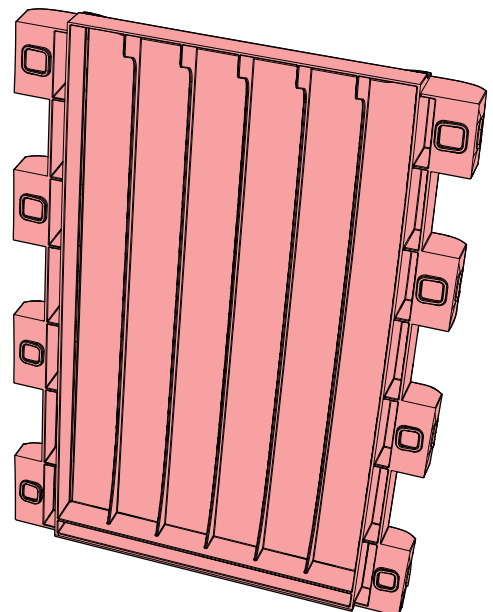
A



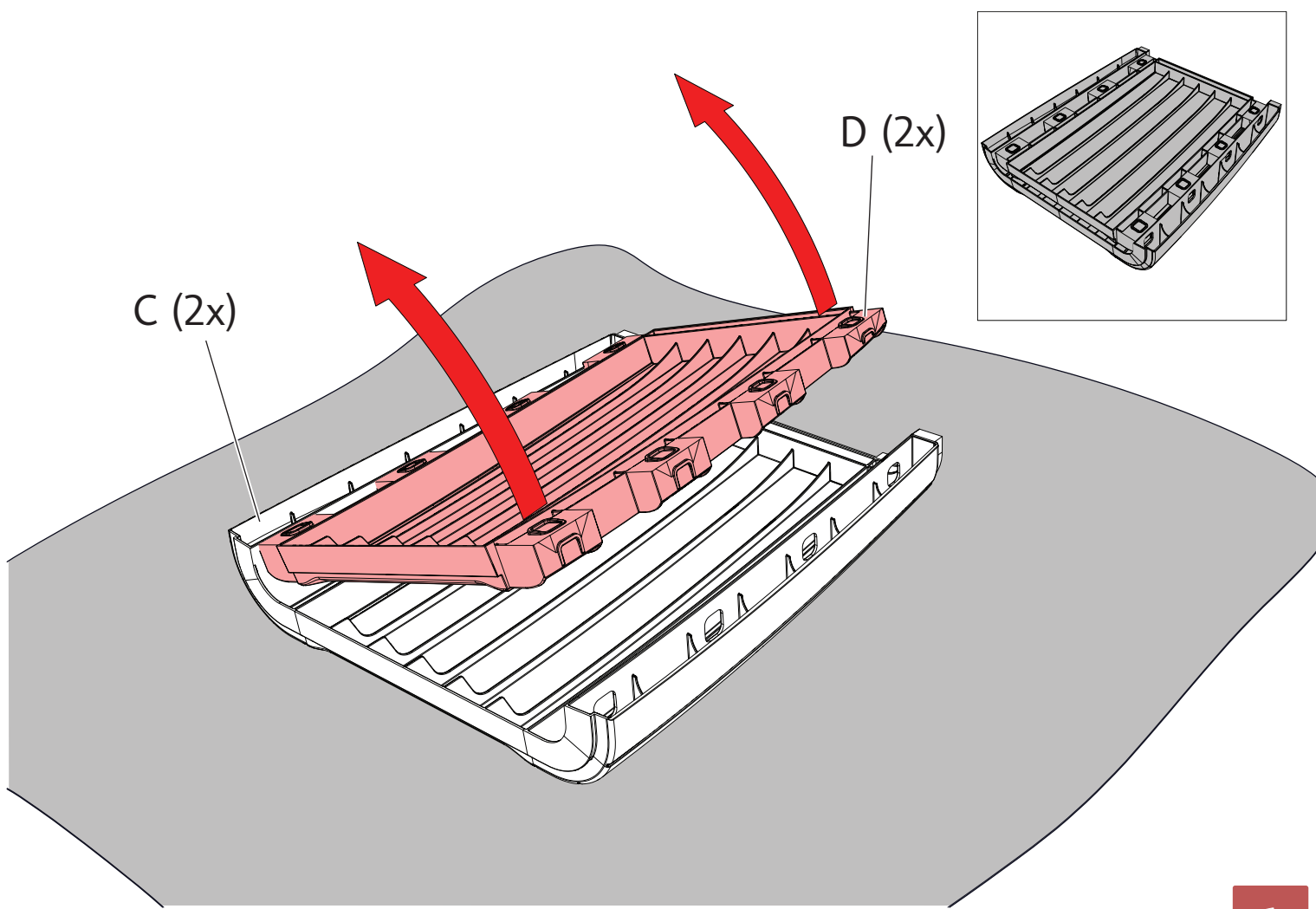
B



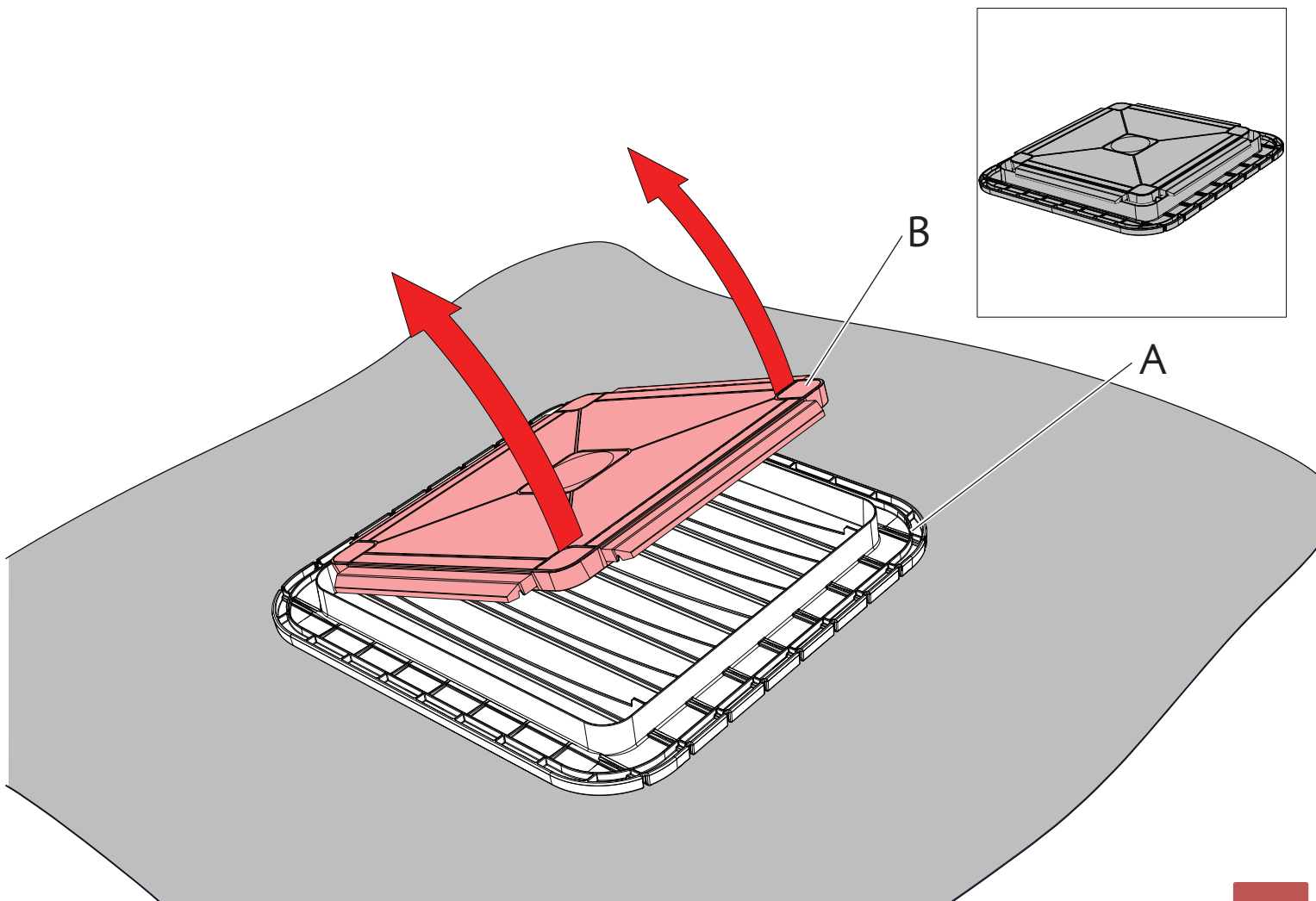
C (2x)



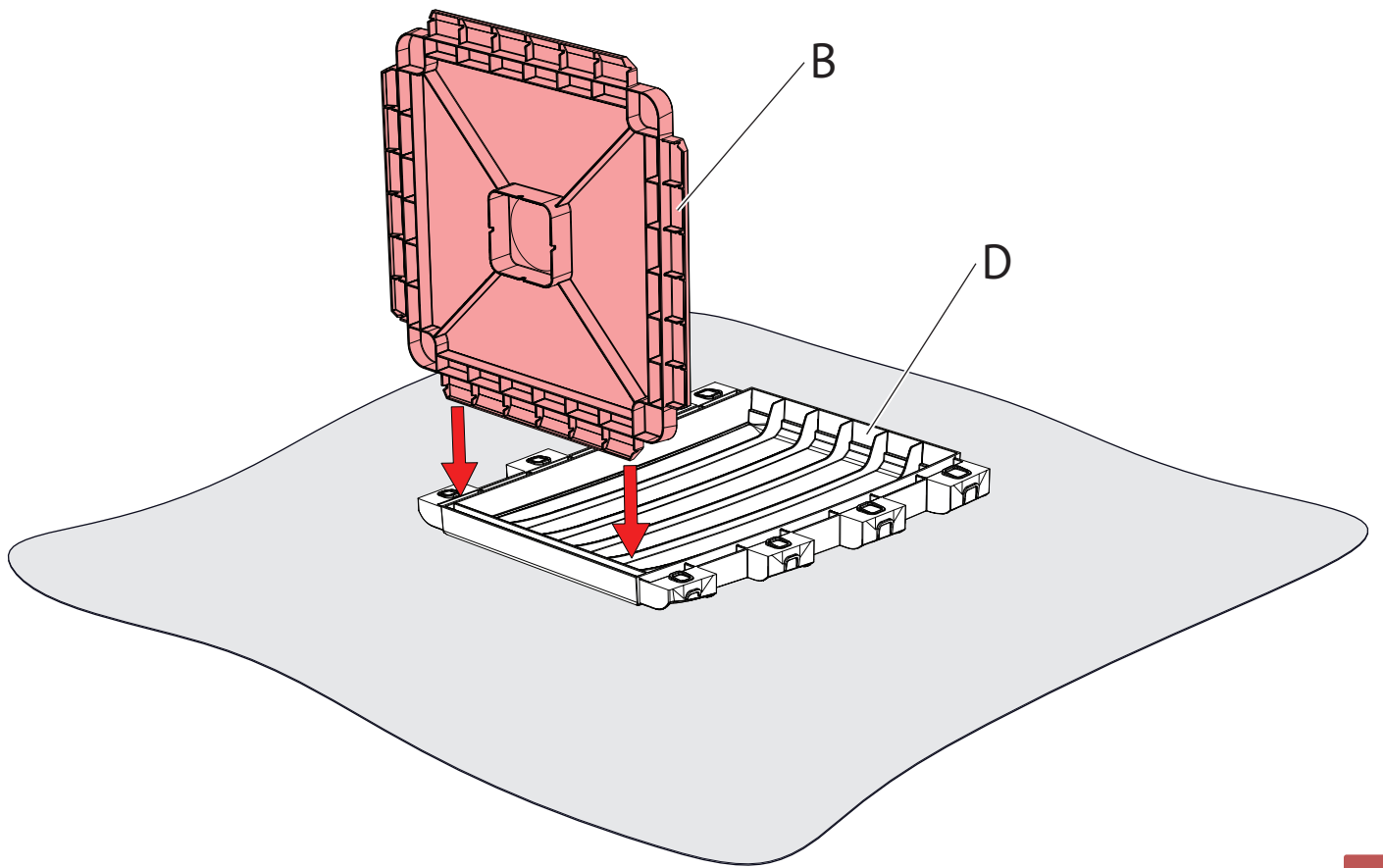
D (2x)



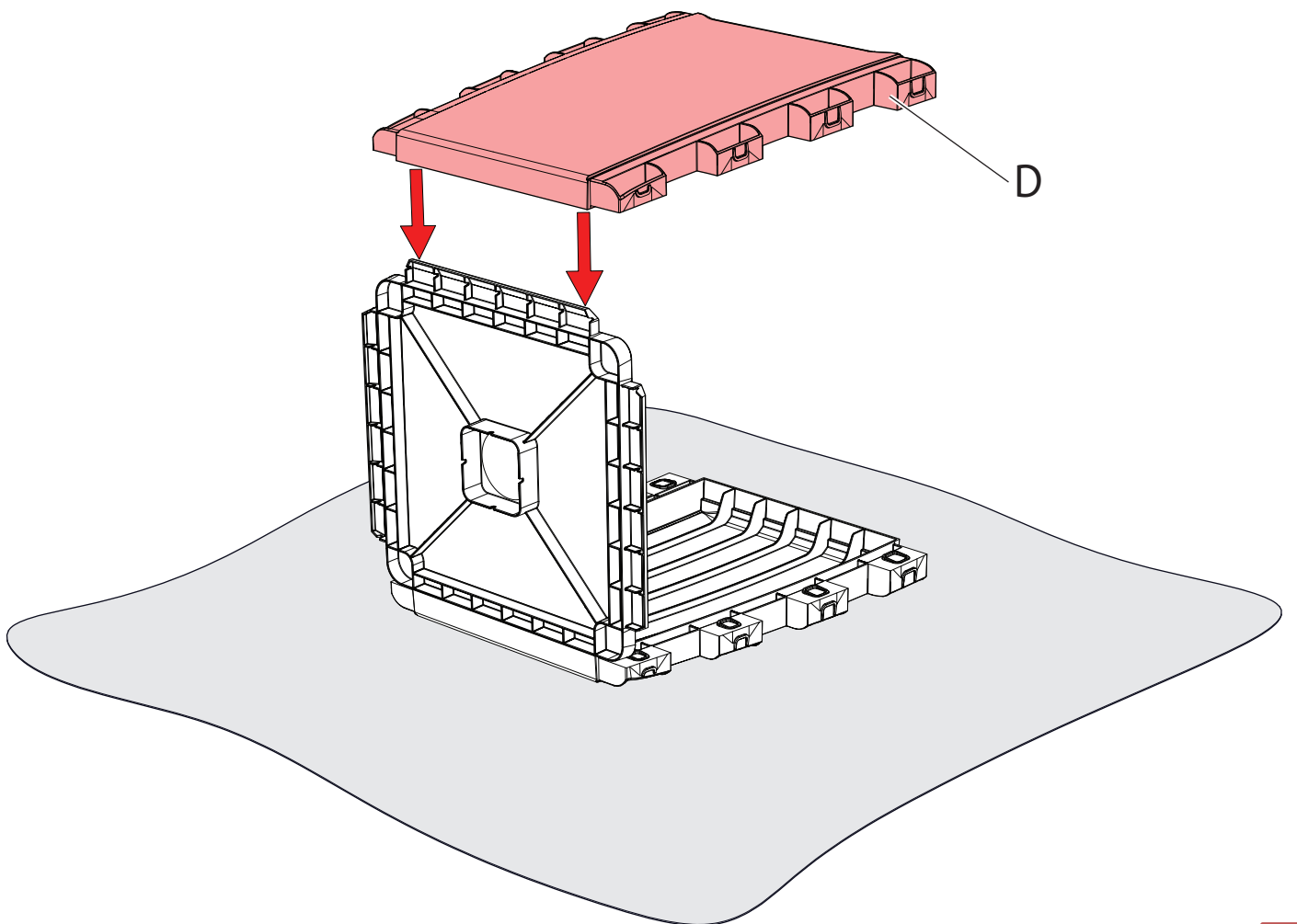
1



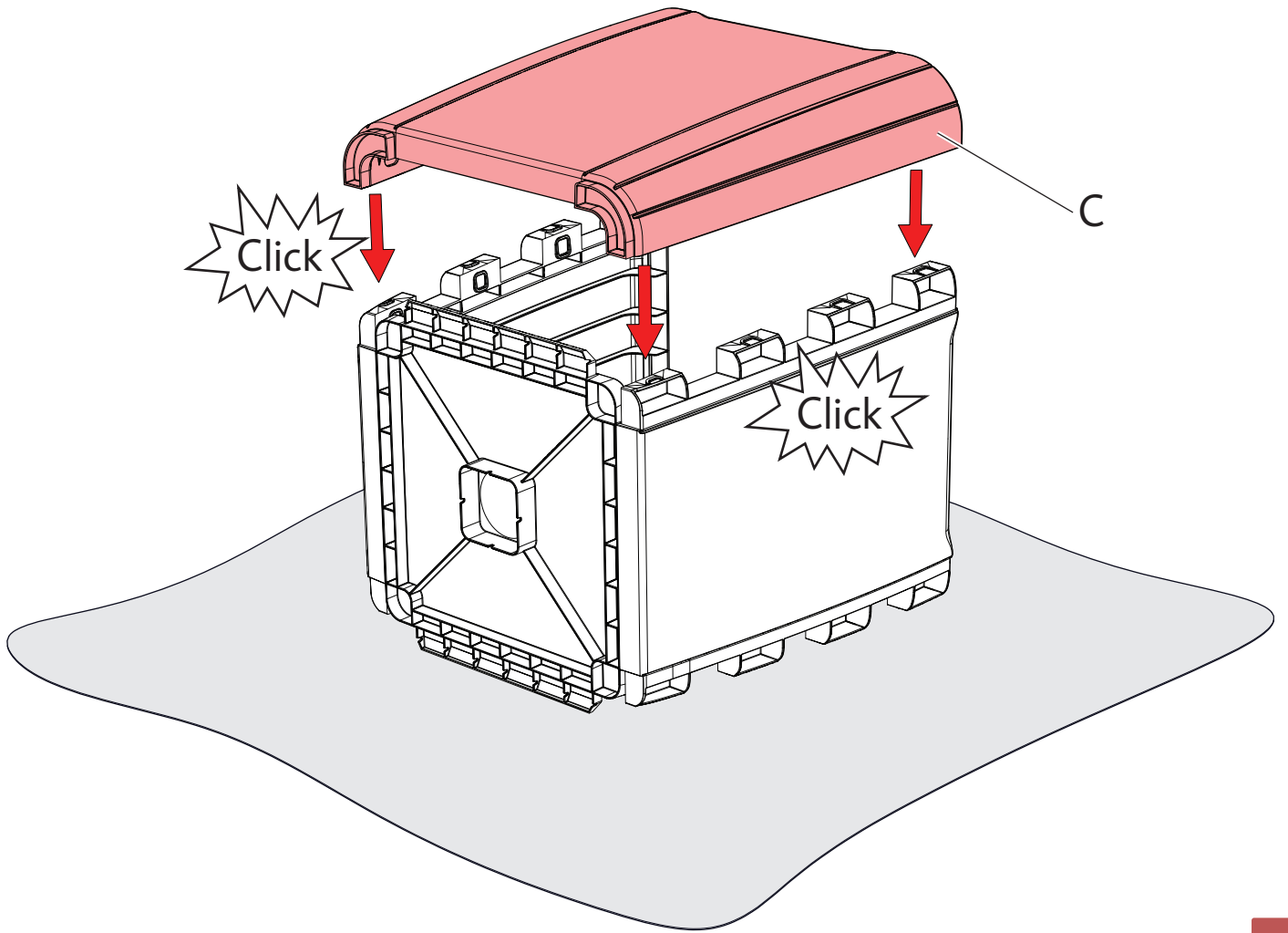
2



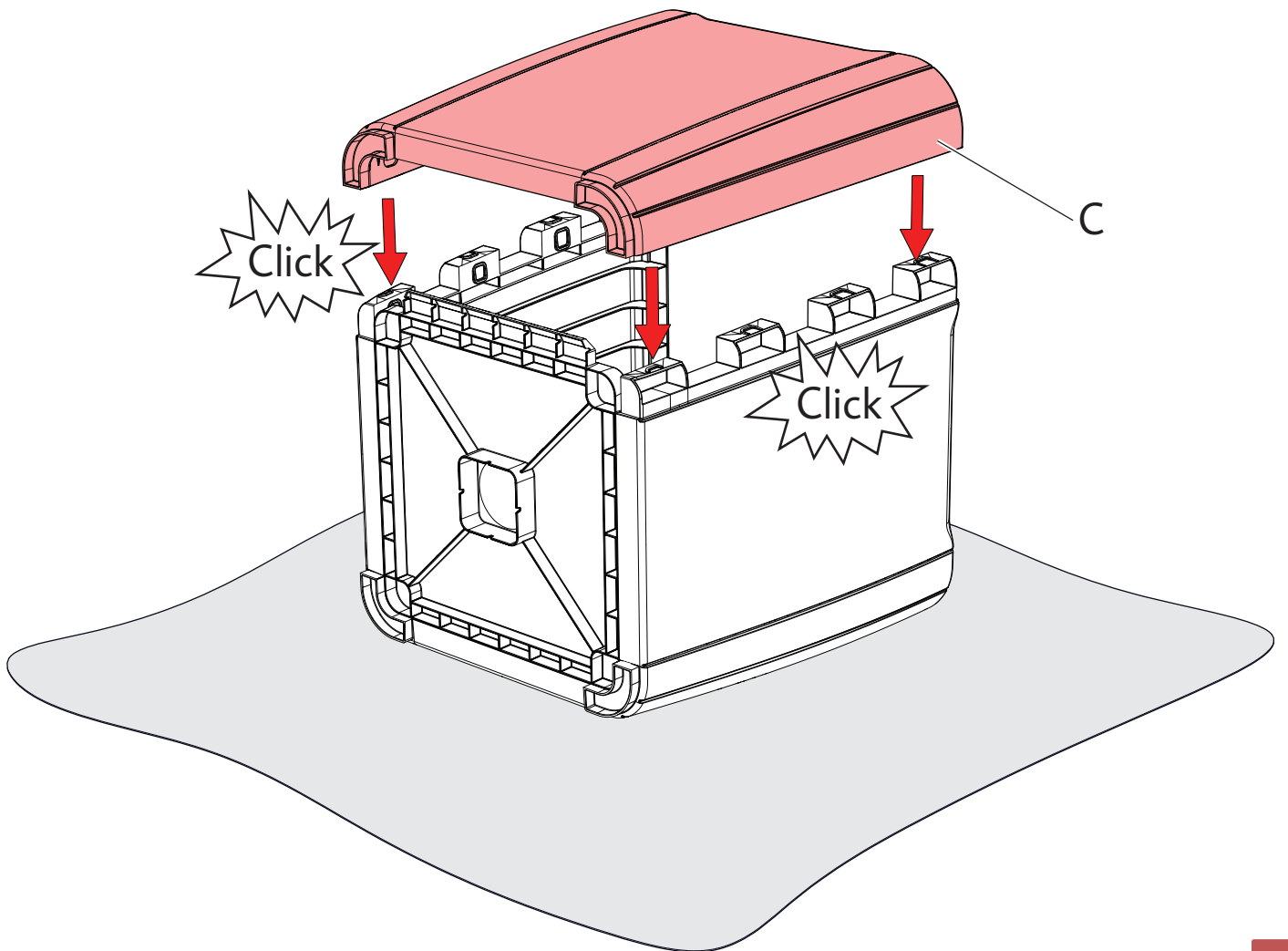
3



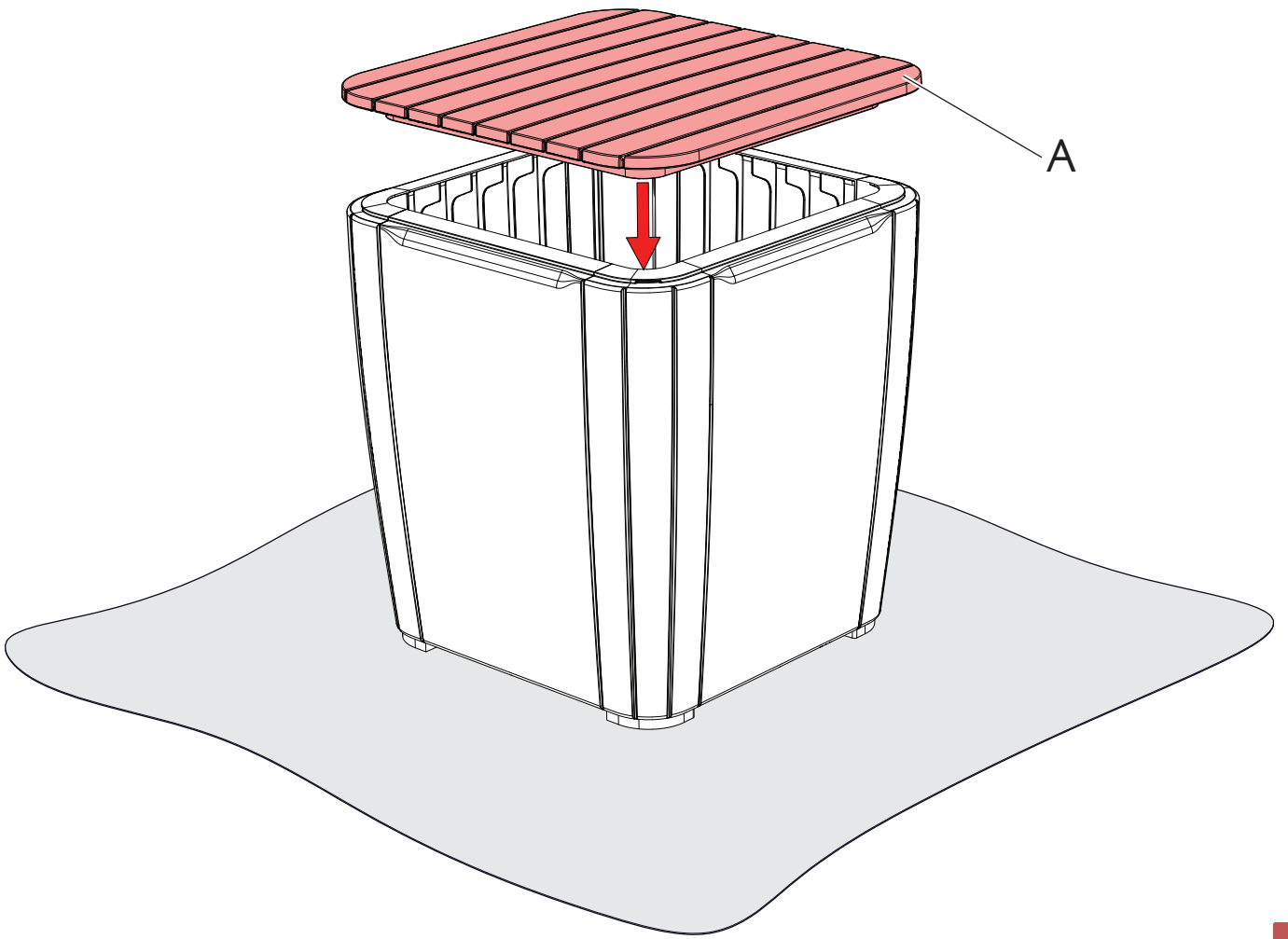
4



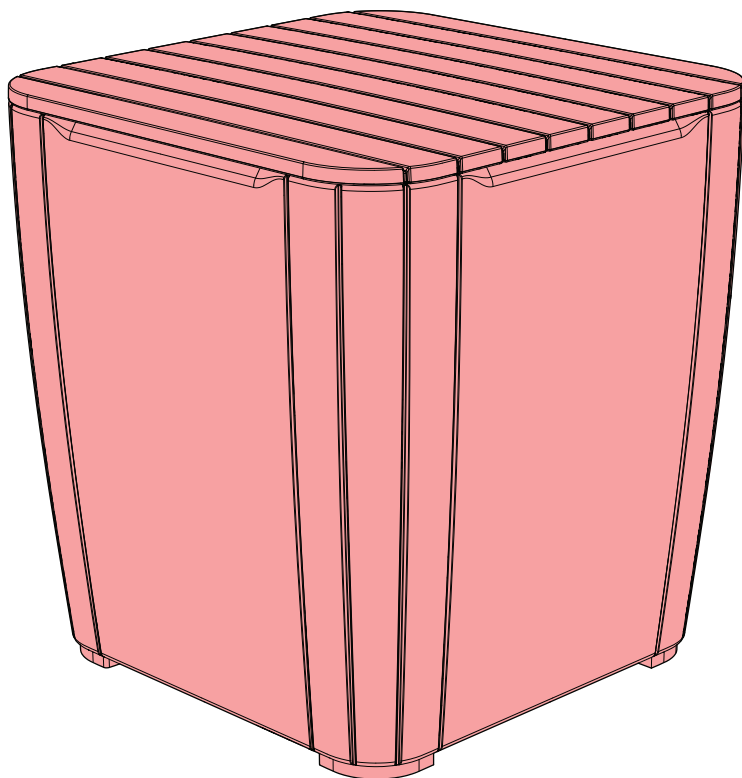
5



6



7



8