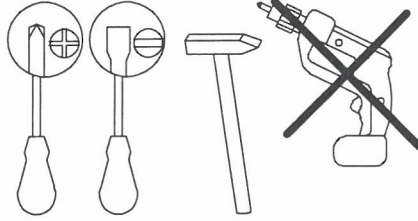
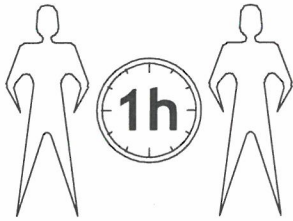


SCANDIC

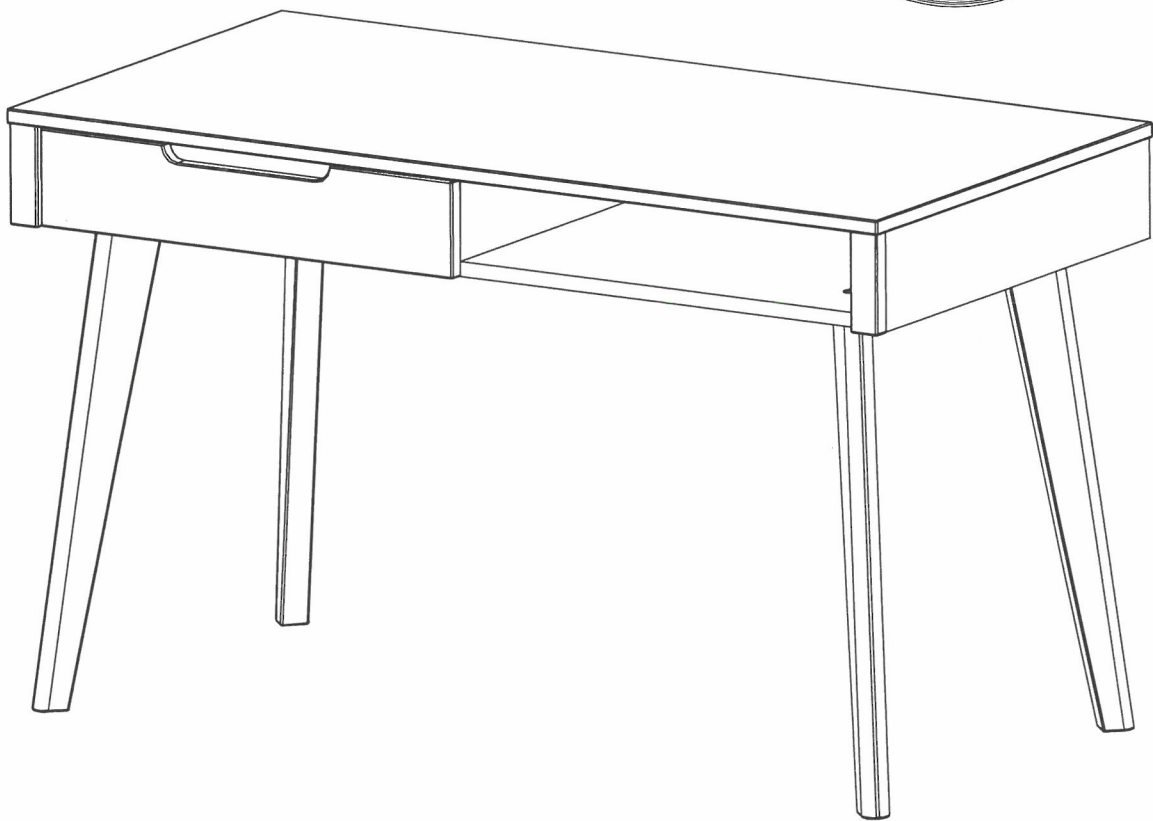
Shreibtisch

Art.Nr.: 26370018/05

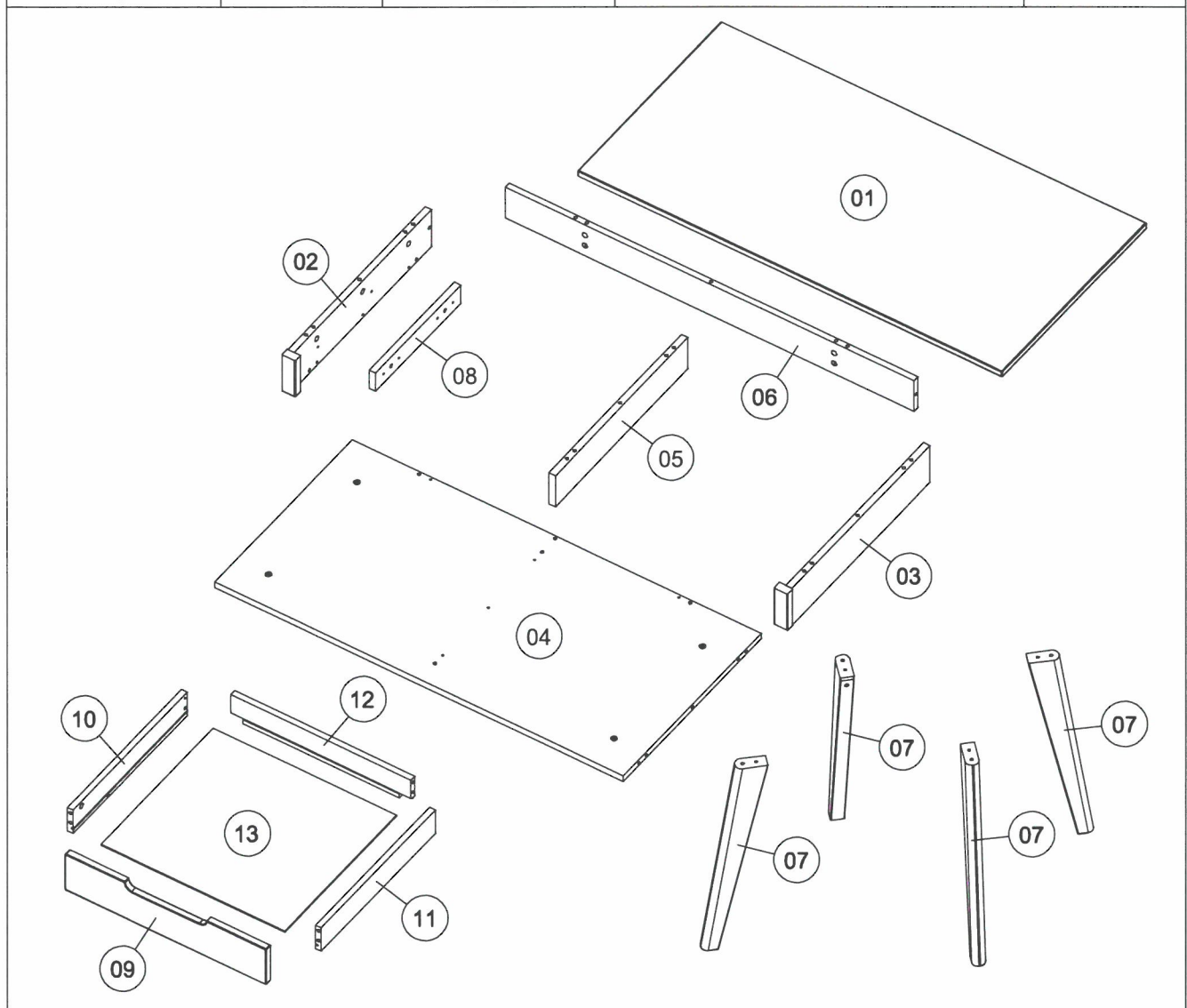


DK DAĪRADEKOKS


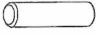




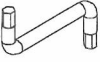






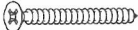
Ciekurkalna 1.linija 11
Rīga, LV-1026, Lettland



Teil-Nr. Pieces-no. Det. Nr. Počet detailů Číslo detailu Številka artikla Antal av produkt A rész száma Broj detalja	Anzahl Quantities Daudzums Množství Množstvo Znesek Antal Mennyiség Količina	Colis-Nr. Package-no. Kastes nr. Krabice č. Balenie č. Št. škatle Lådnummer Doboz száma Broj kutije	Maß, mm Dimensions, mm Izmērs, mm Velikost, mm Rozmery v mm Velikost, mm Storlek mm Méret, mm Veličina u mm	✓
1	1	1/1	1200 x 602 x 18	
2	1	1/1	598 x 121 x 38	
3	1	1/1	598 x 121 x 38	
4	1	1/1	1156 x 575 x 18	
5	1	1/1	102 x 557 x 18	
6	1	1/1	1156 x 102 x 16	
7	4	1/1	600 x 75 x 34	
8	1	1/1	356 x 60 x 18	
9	1	1/1	567 x 117 x 18	
10	1	1/1	475 x 77 x 16	
11	1	1/1	475 x 77 x 16	
12	1	1/1	509 x 77 x 16	
13	1	1/1	518 x 468 x 3	



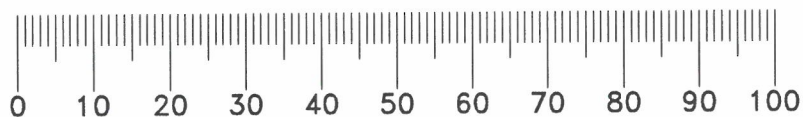
42611

H1	 x28 ø 8x30	H15	 x2 ø 5x20	D2	 x26 ø 5/11x34
D4	 x15 ø 17	D3	 x18 ø 15x13,8	D5	 x8 ø 15x12,5
A5	 x1 4 mm	A153	 x4 ø 15/M6x60	D83	 x4 ø 10/18
E87	 x1 485 mm	A25	 x4 ø 6,2x10,5	A20	 x4 ø 4x16
E102	 x4 ø 20	A59	 x2 ø 4x30		




LV Godātais pircēj, šeit Jums ir iespēja izmērīt pievienotās skrūves.

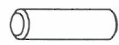
GB Dear customer, here you have the possibility of measuring the supplied screws.

DE Sehr geehrter Kunde, hier haben Sie die Möglichkeit mitgelieferte Schrauben nachzumessen.

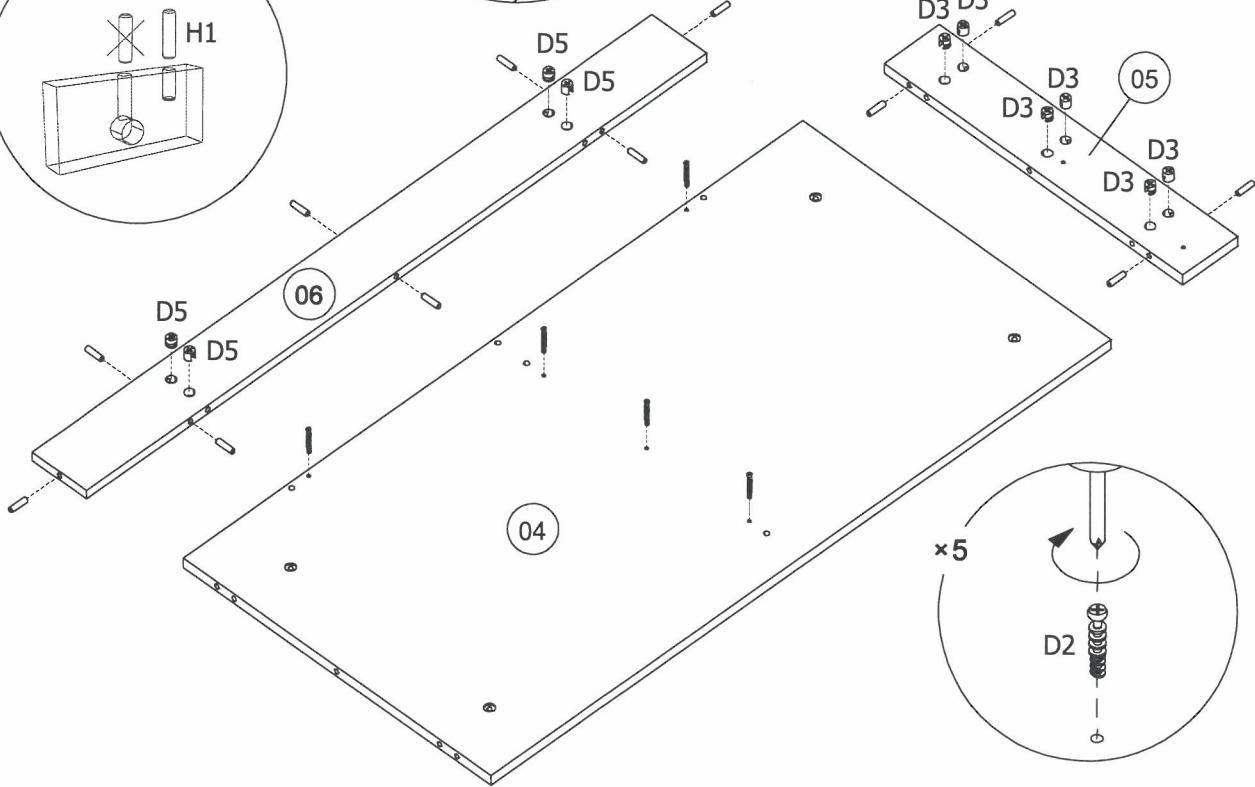
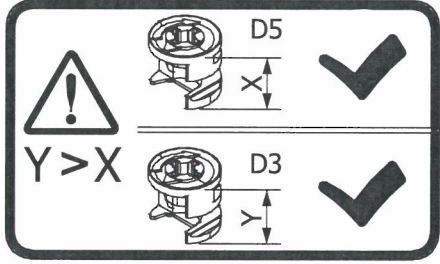
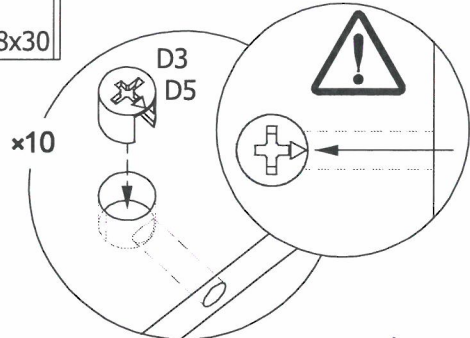
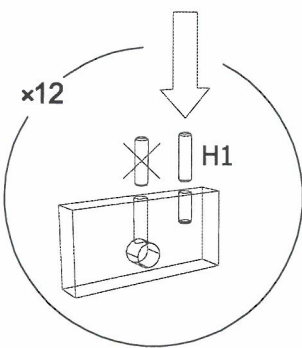



42611

D2		x5	D3		x6	D5		x4
----	---	----	----	---	----	----	---	----

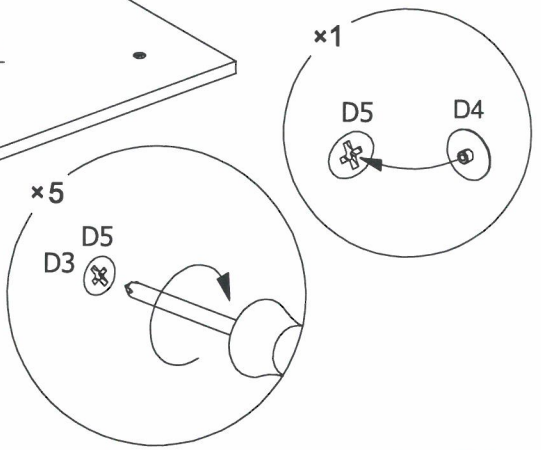
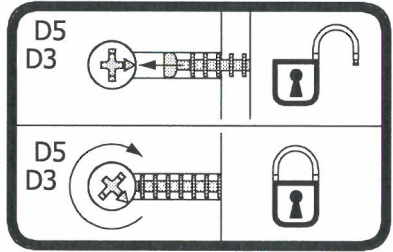
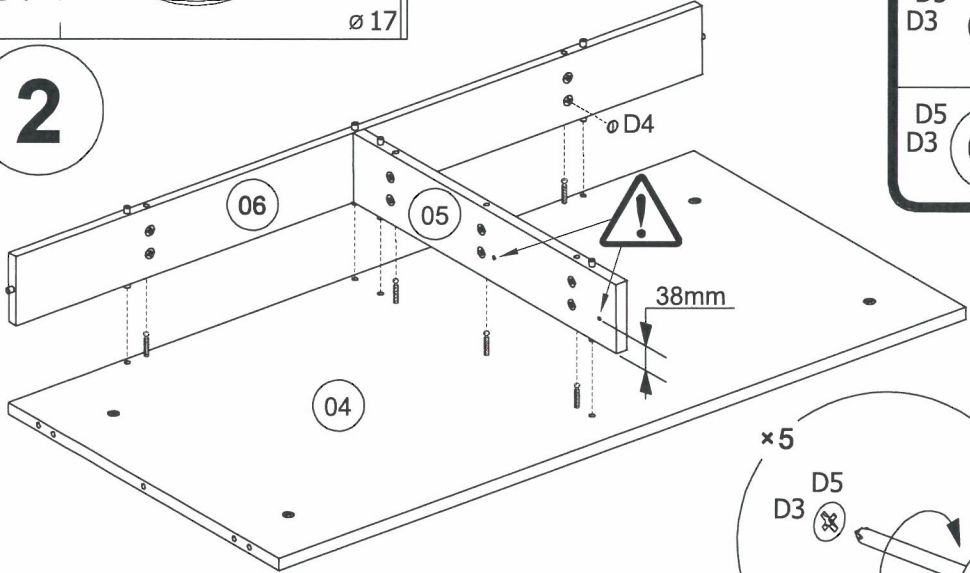
H1		x12
----	---	-----

1



D4		x1
----	---	----

2



H1



x8
ø 8x30

D2



x6
ø 5/11x34

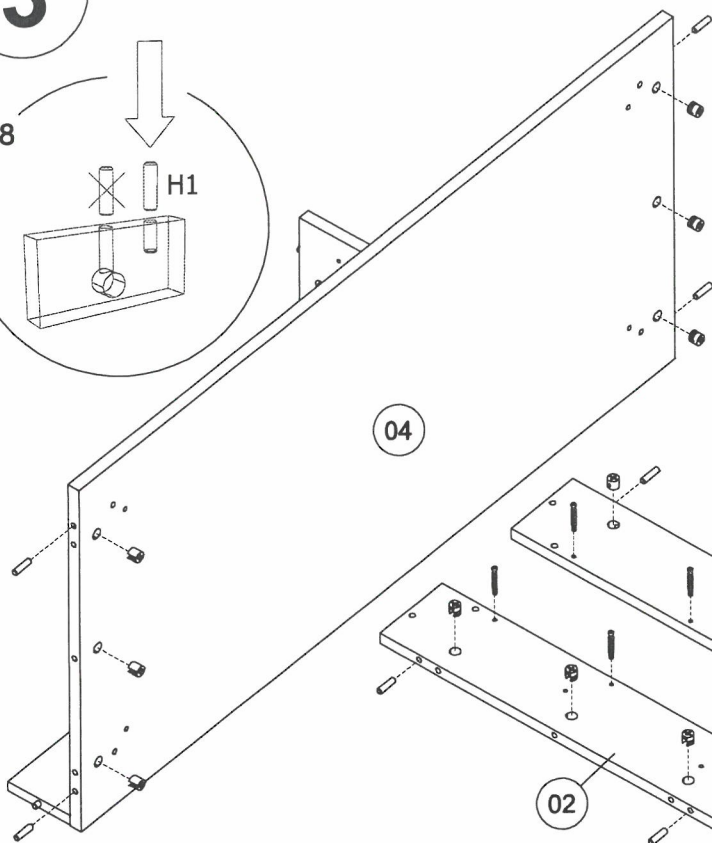
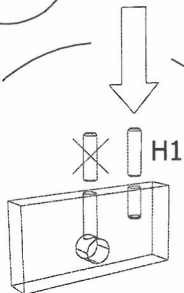
D3



x12
ø 15x13,8

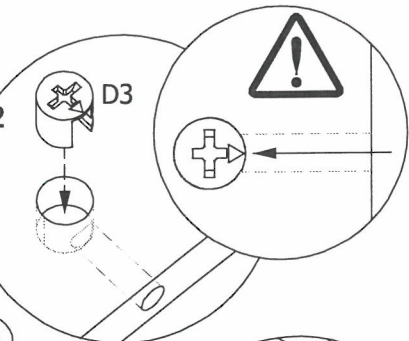
3

x8

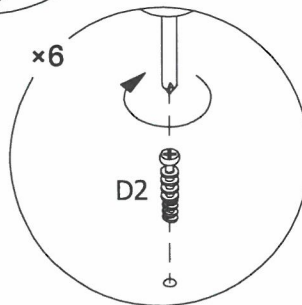


04

x12



x6



D2

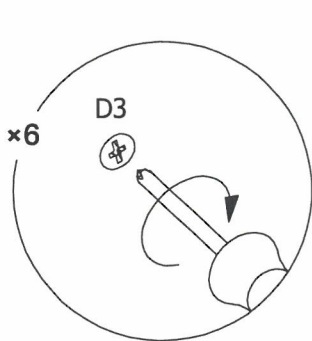
D4



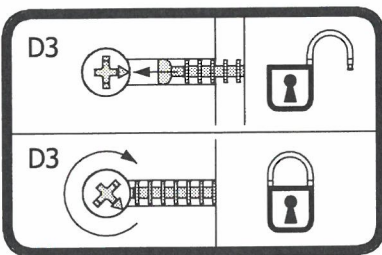
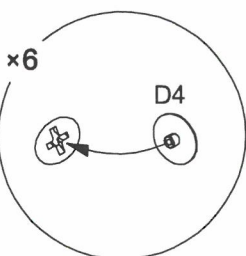
x6
ø 17

4

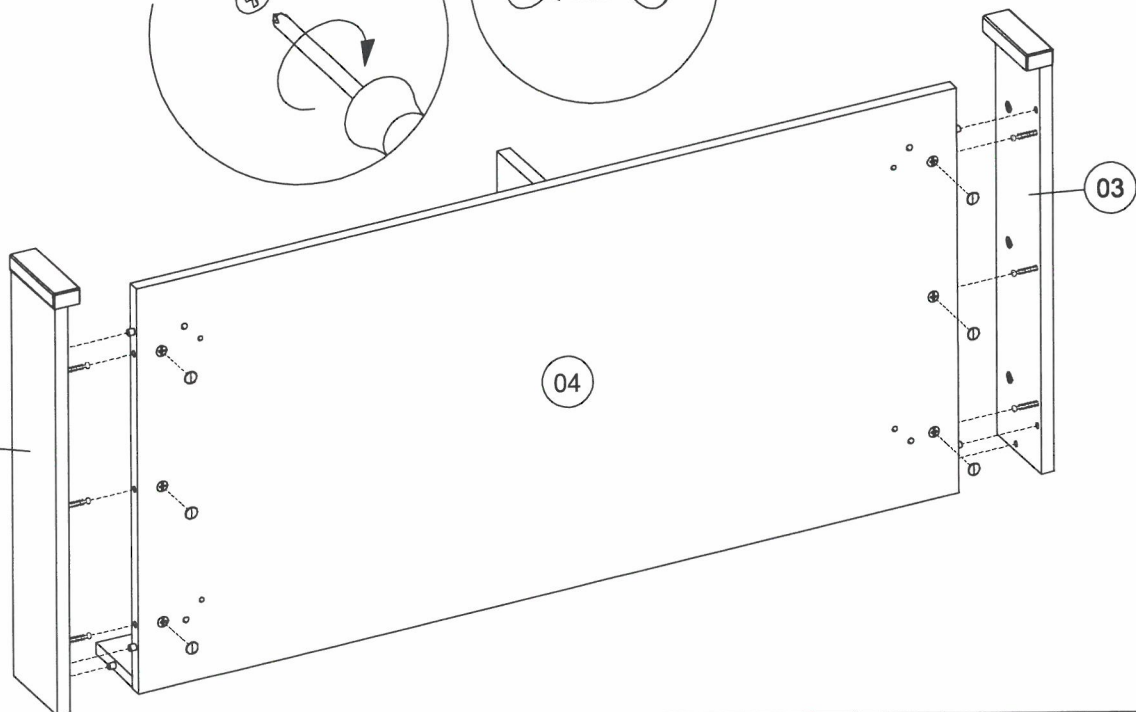
x6



x6

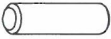




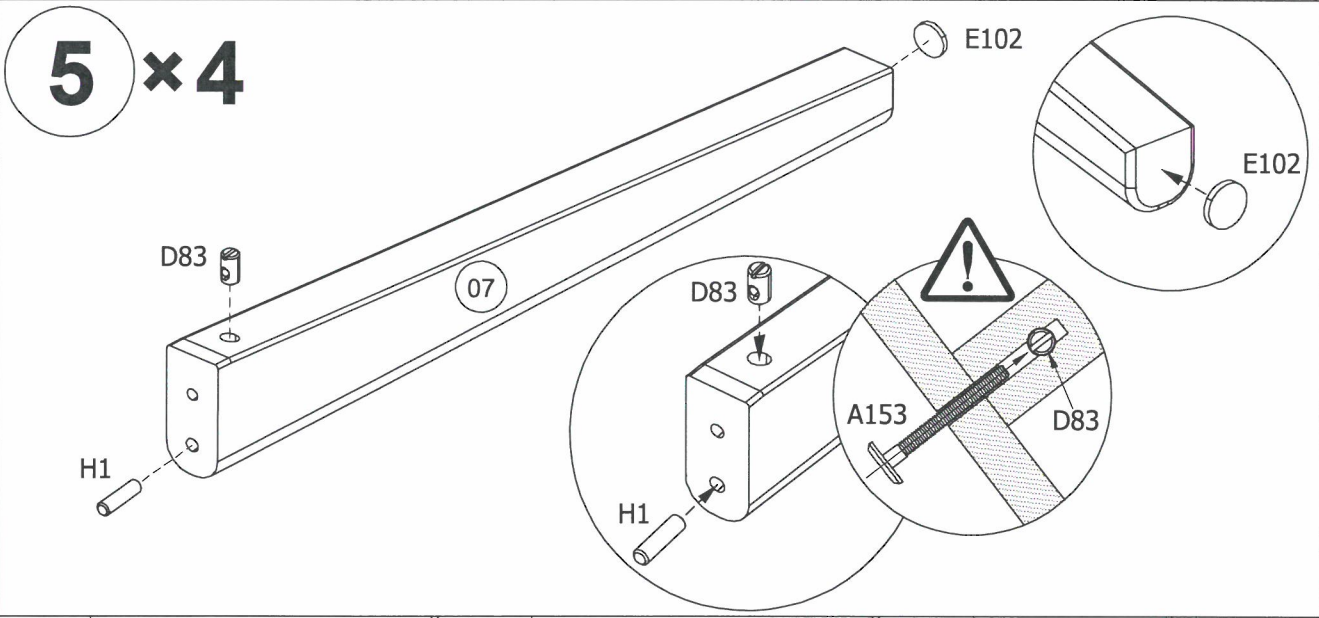
02

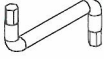
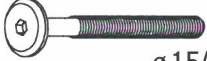



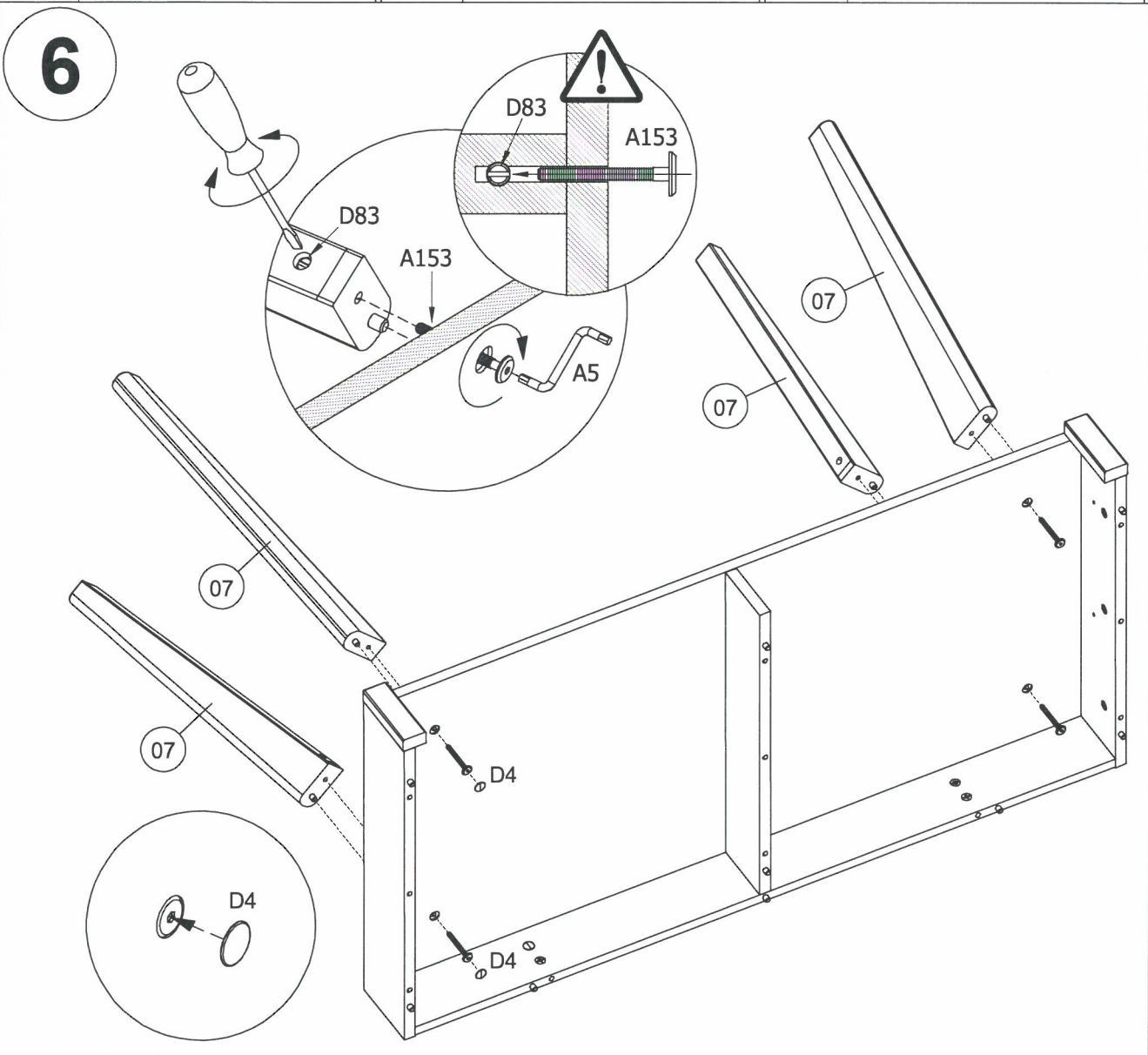
04

03

H1		x4 ø8x30	D83		x4 ø10/18	E102		x4 ø20
----	---	-------------	-----	---	--------------	------	---	-----------



A5		x1 4 mm	A153		x4 ø15/M6x60	D4		x2 ø17
----	---	------------	------	---	-----------------	----	---	-----------



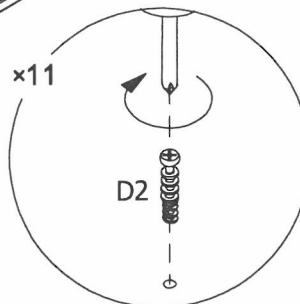
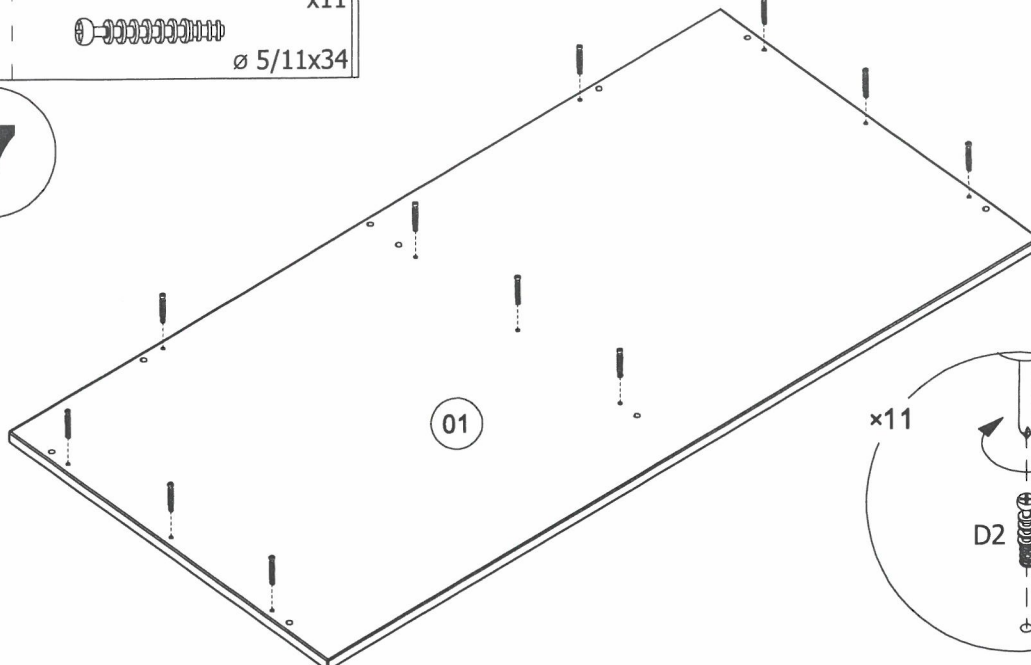
D2



x11

∅ 5/11x34

7



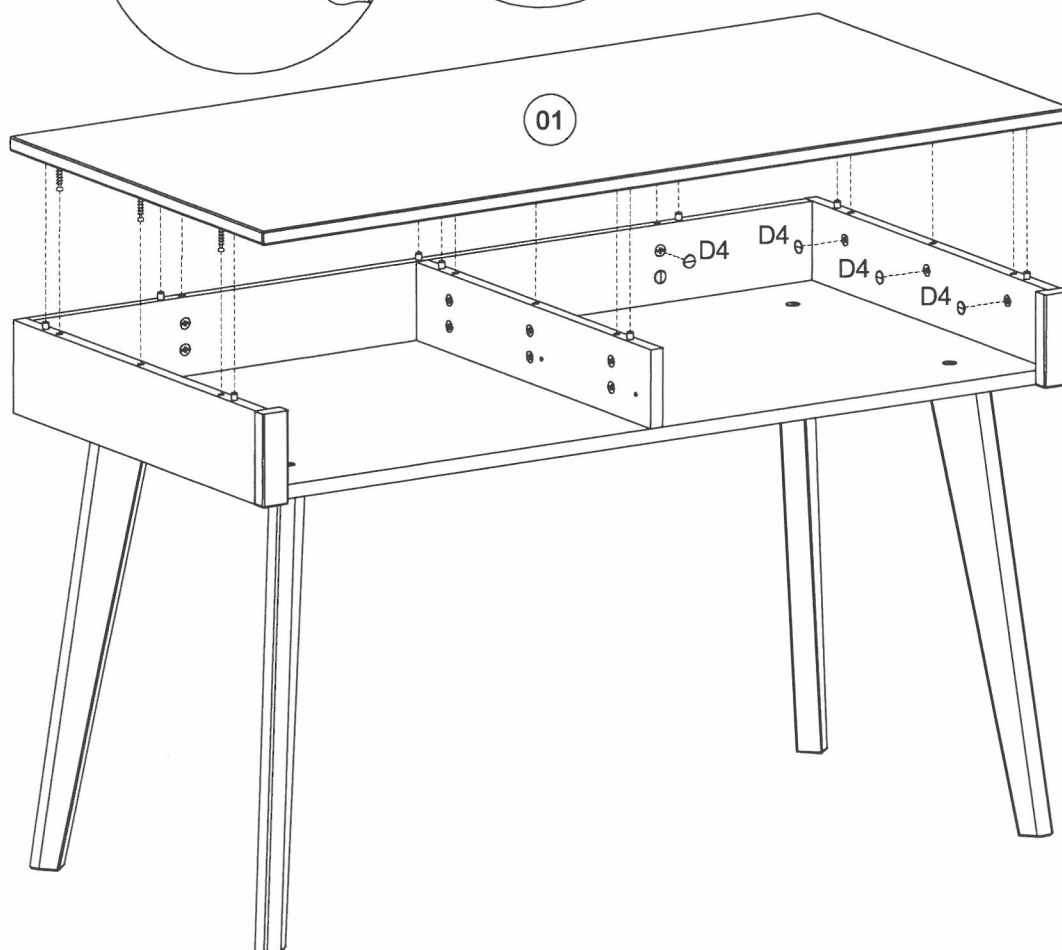
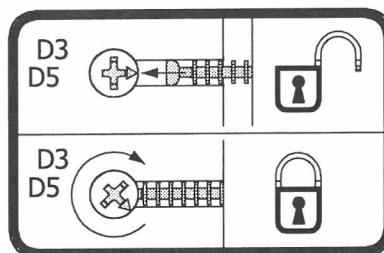
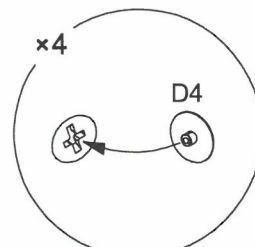
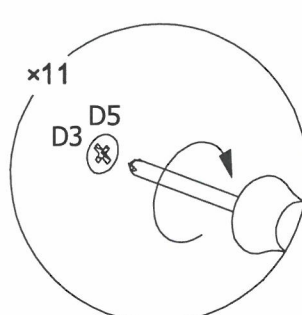
D4






x4

∅ 17

8



42611

H1	 x4 ø 8x30	D2	 x4 ø 5/11x34	D5	 x4 ø 15x12,5
----	--	----	---	----	---

9

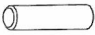
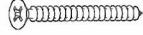
Diagram illustrating the installation of four D5 lock cylinders into the frame. The cylinders are inserted into the frame (11) and secured with screws (D5). A warning icon indicates that the cylinder length must be greater than the hole depth ($Y > X$). A diagram shows the correct installation (Y > X) with a checkmark and the incorrect installation (Y < X) with a cross.

10

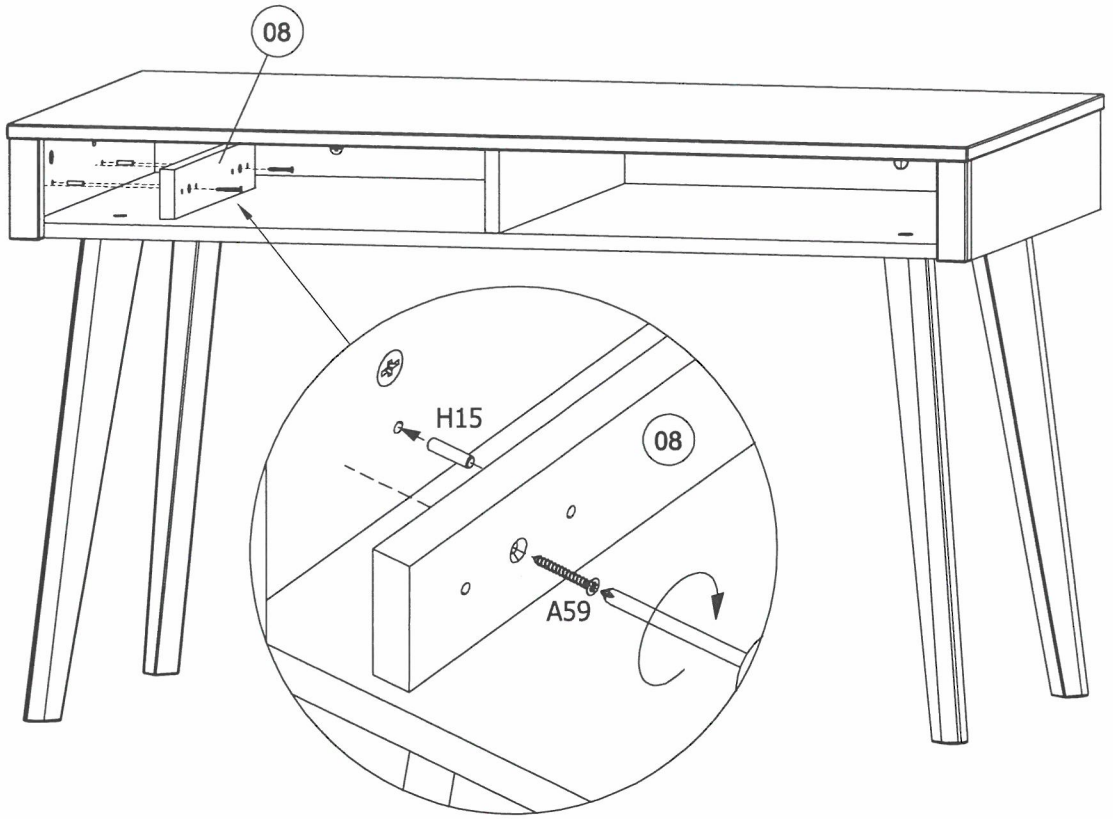
Diagram illustrating the installation of two D5 screws into the frame. The screws are inserted into the frame (11) and secured with a screwdriver. A warning icon indicates that the screws must be inserted correctly.

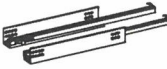


11

Diagram illustrating the installation of two D4 screws into the frame. The screws are inserted into the frame (11) and secured with a screwdriver. A warning icon indicates that the screws must be inserted correctly.

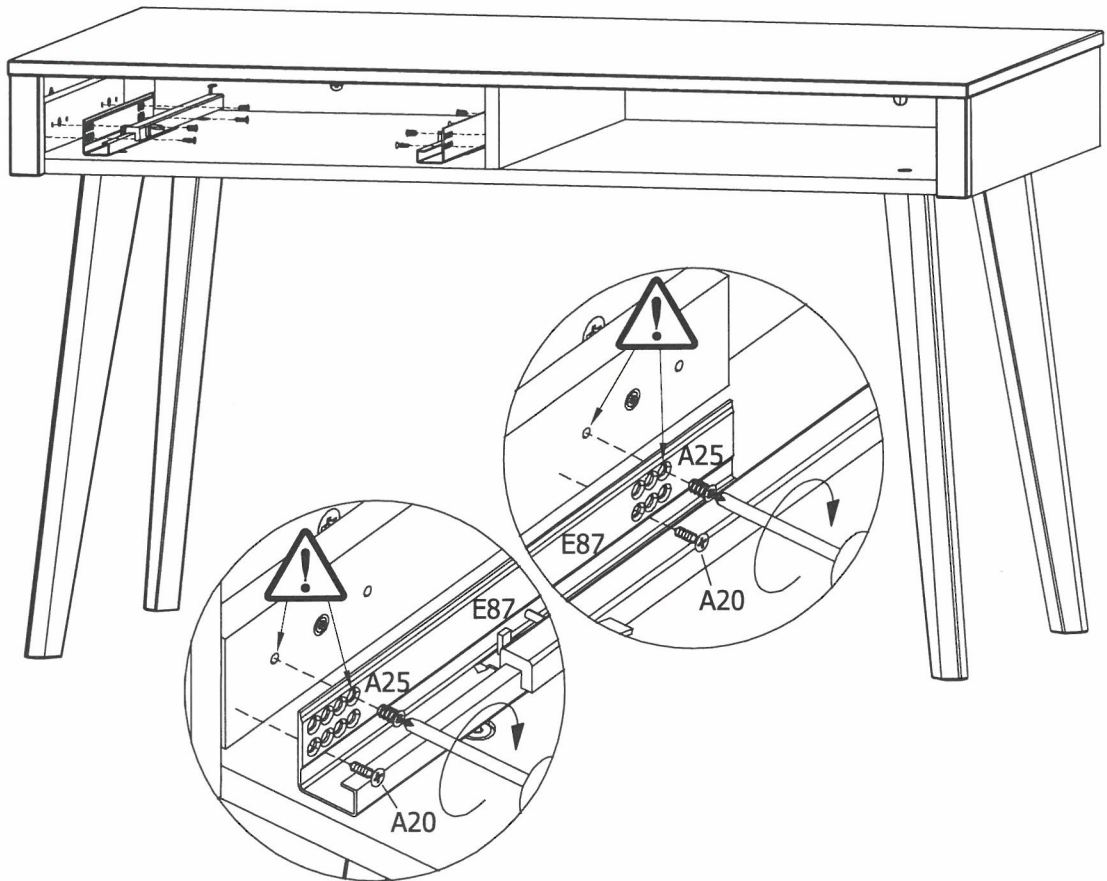
H15		x2	A59		x2
		∅ 5x20			∅ 4x30

12



E87		x1	A25		x4	A20		x4
		485 mm			∅ 6,2x10,5			∅ 4x16

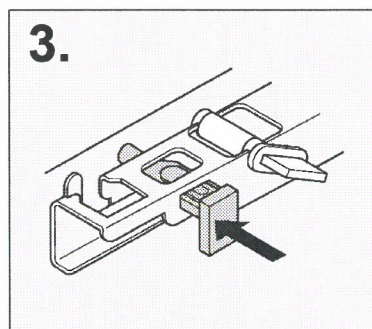
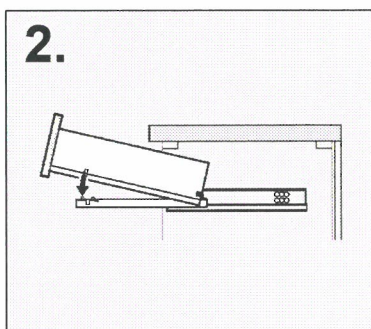
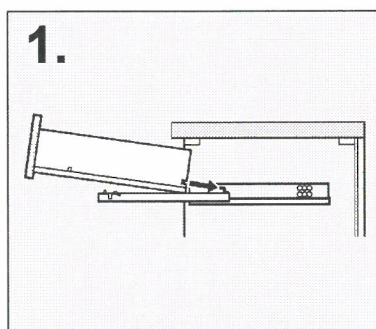
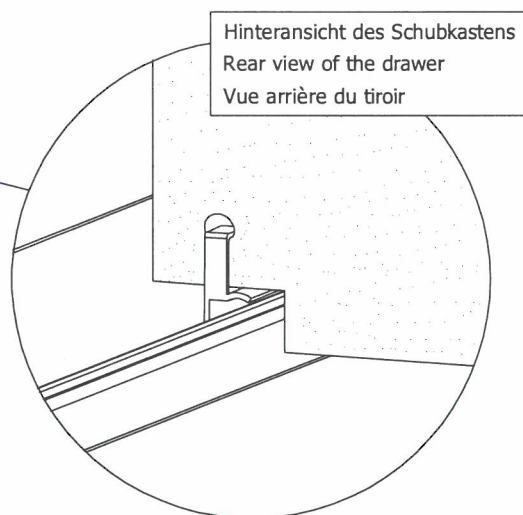
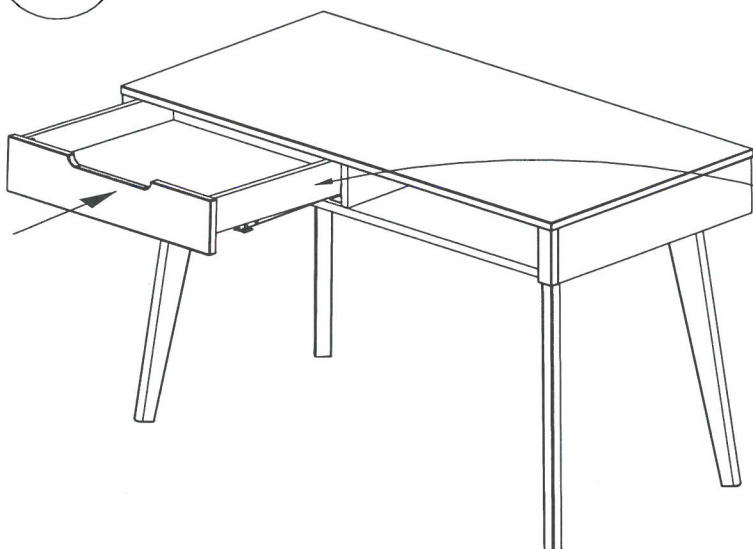
13



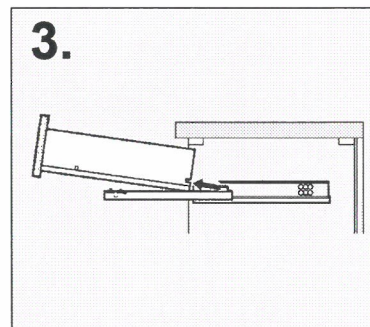
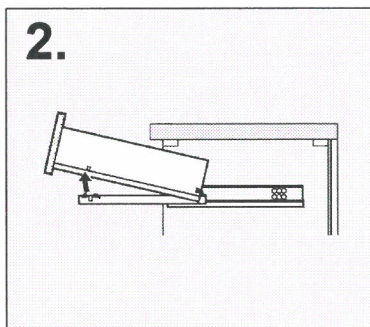
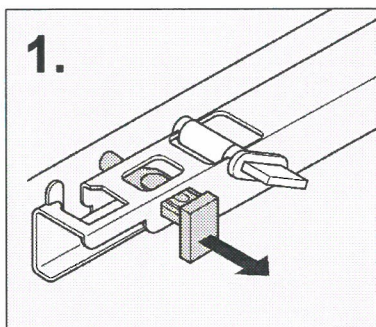
42611

14

Einhängen der Schublade ○ Attaching the drawer ○ Fixation du tiroir



Aushängen der Schublade ○ Removal of drawer ○ Suppression de tiroir



Höhenverstellung ○ Height adjustment ○ Réglage de la hauteur

