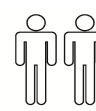
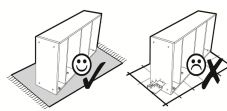
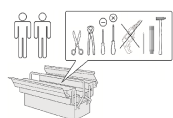
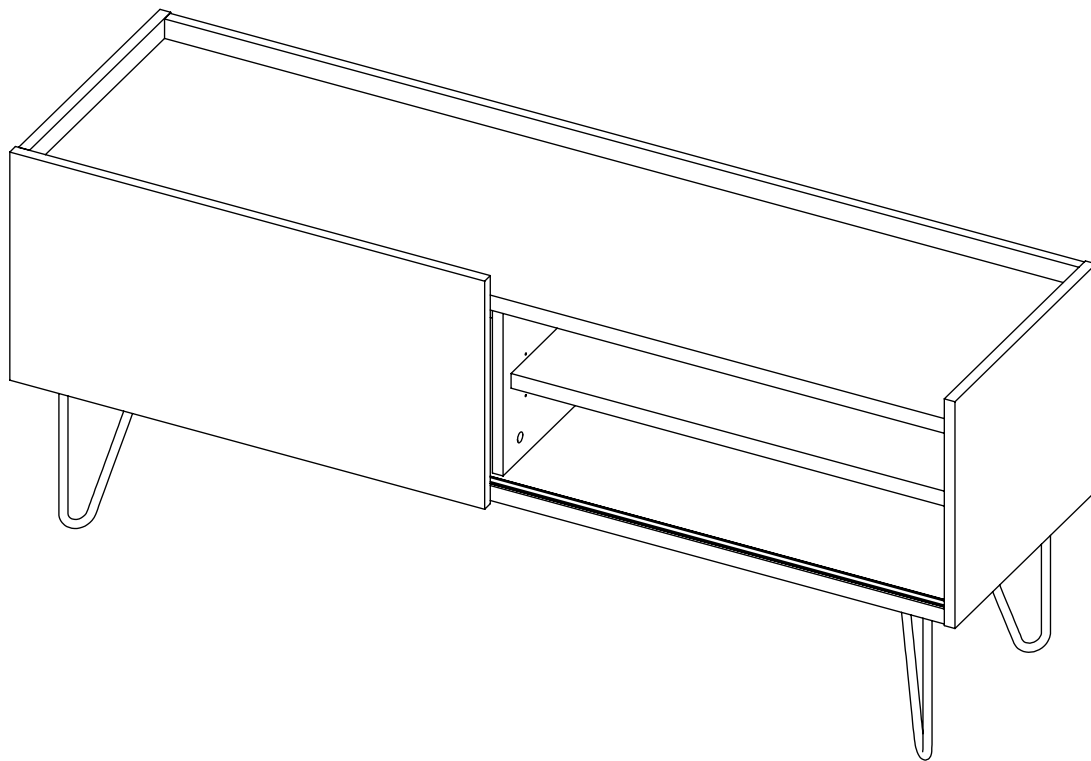


NINA



54kg


TEMAHOME

7200.760/761/879/355/354

A - 22x



Ø 15x13mm
0512.042

B - 22x



Ø 7x41mm
0512.041

C - 22x



Ø 8x40mm
0540.004

D - 2x



Ø 60x24mm
0520.163/
0520.164

E - 24x



Ø 4x16mm
0512.001

F - 4x



Ø 6,5x16mm
0900.174

G - 4x



Ø 3,5x30mm
0512.114

H - 4x



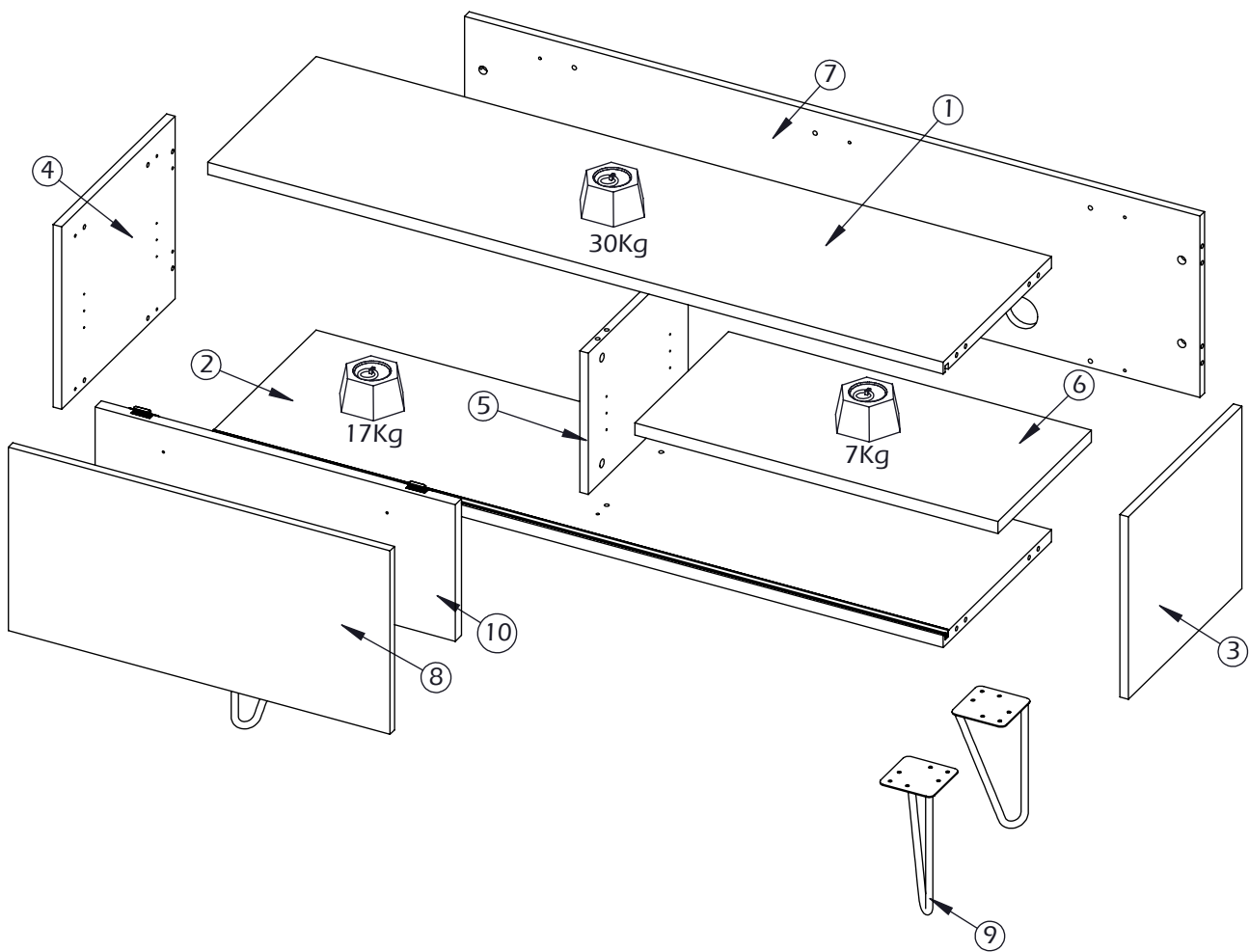
Ø 10x3mm
0520.063

I - 10x/8x






Ø 20x0,5mm
0520.011/
0520.171/
0520.165

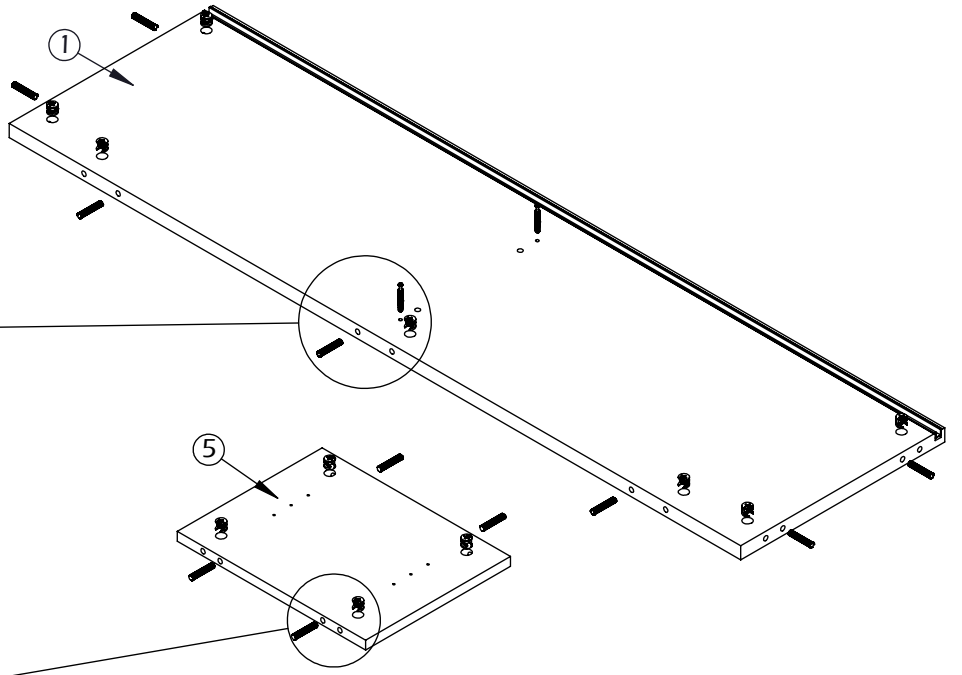
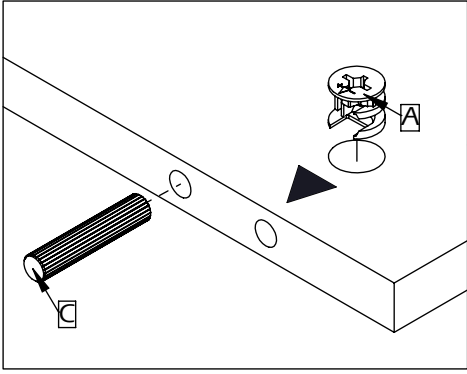
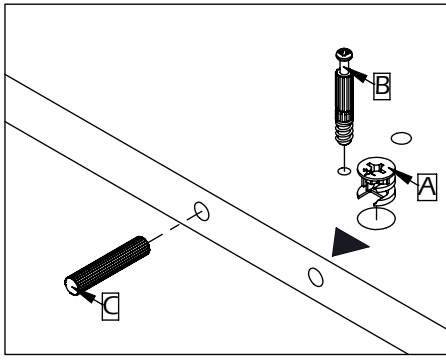
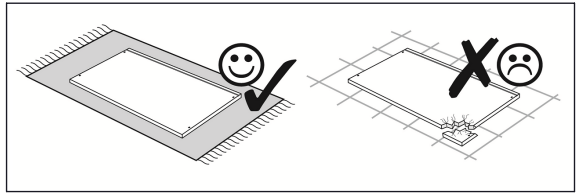
IM-0623.1087/5



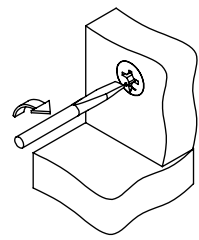
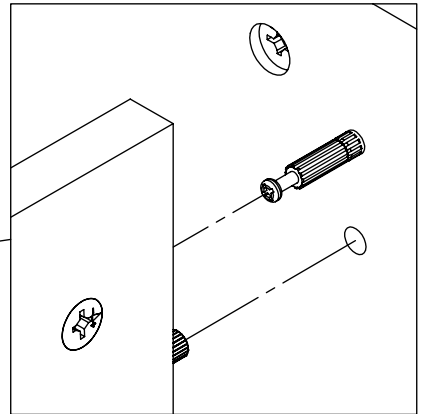
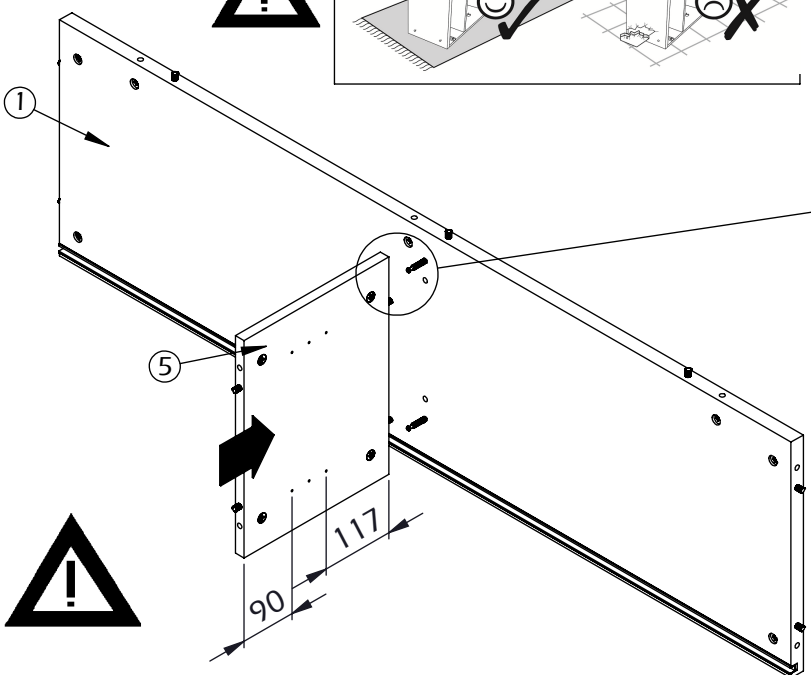
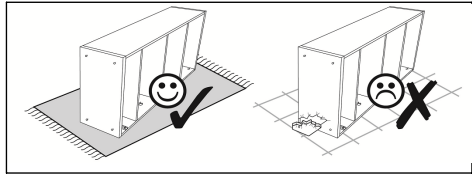
O	x	mm
1	1	1368 x 382 x 23
2	1	1368 x 382 x 23
3	1	400 x 350 x 16
4	1	400 x 350 x 16
5	1	352 x 271 x 16
6	1	675 x 330 x 23
7	1	1368 x 348 x 16
8	1	710 x 352 x 16
9	4	240 x 100 x 100
10	1	670 X 262 x 22

1




A-11x 	B-2x 	C-11x 
Ø15x13mm	Ø7x41mm	Ø8x40mm

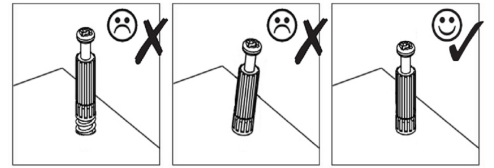
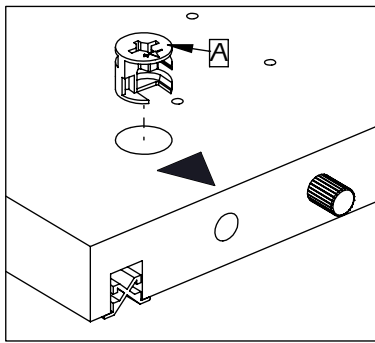
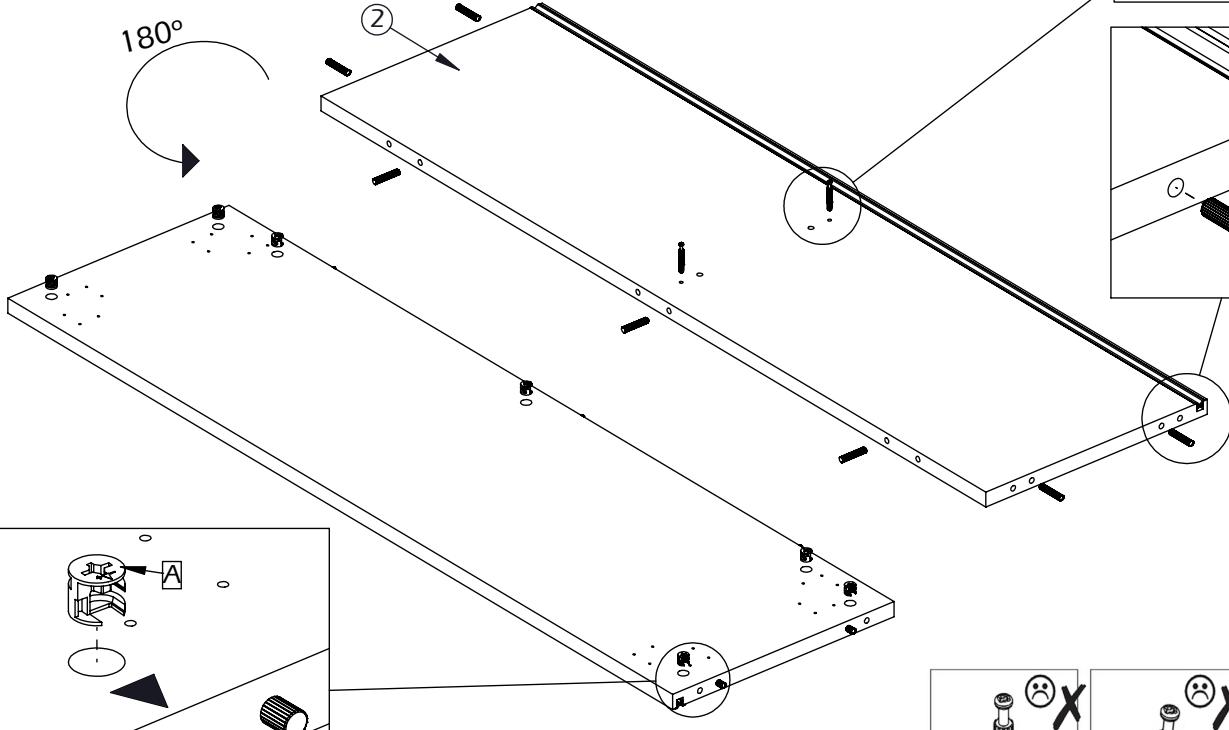
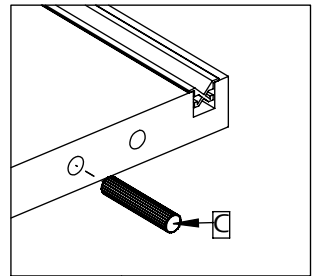
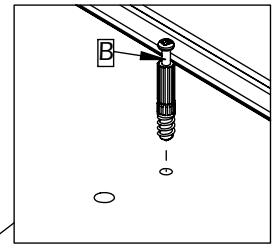
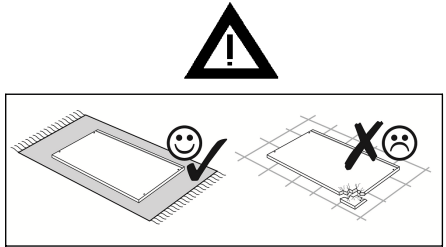


2

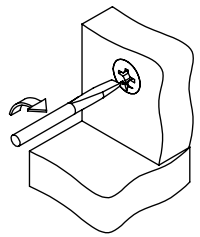
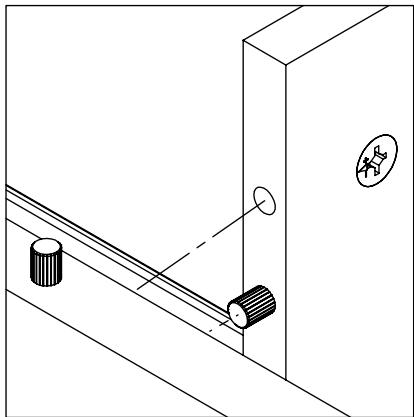
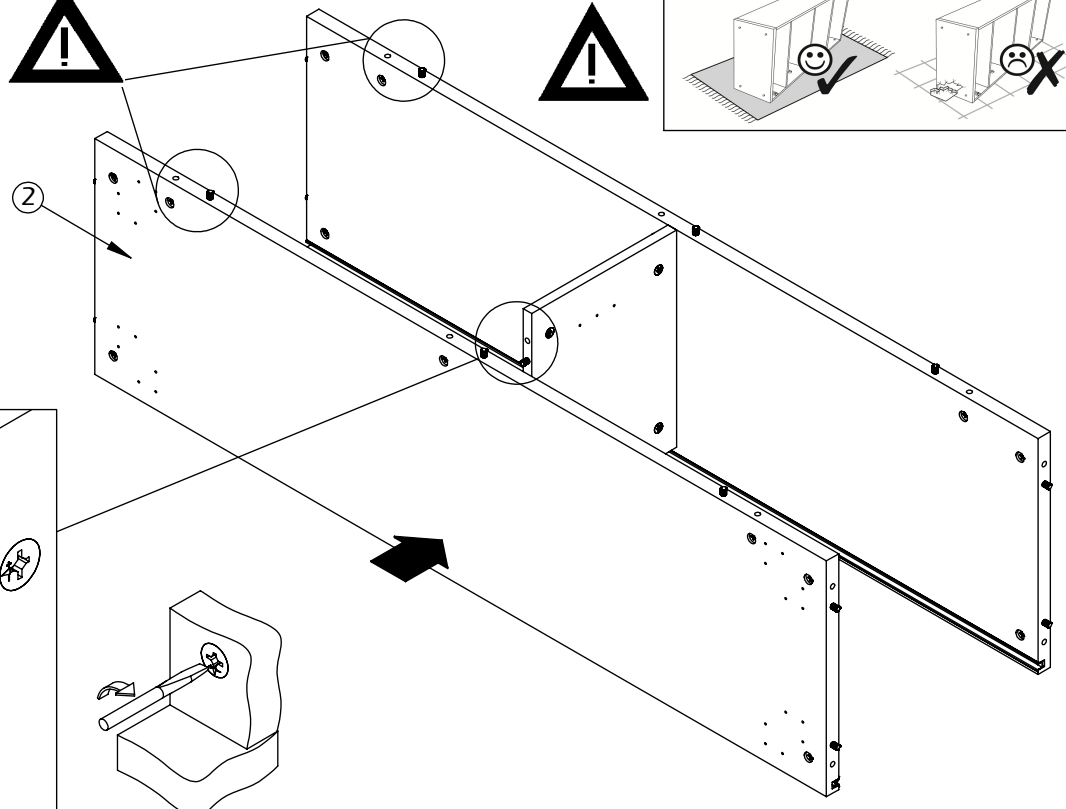
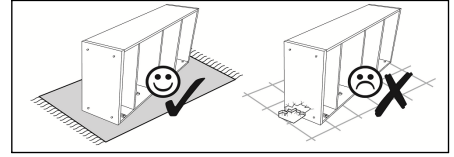
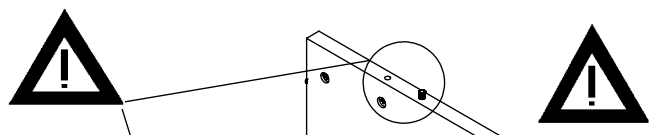


3

A-7x 	B-2x 	C-7x 
Ø15x13mm	Ø7x41mm	Ø8x40mm



4



5

A-4x



B-6x



C-4x



D-2x

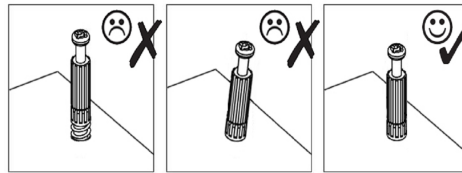
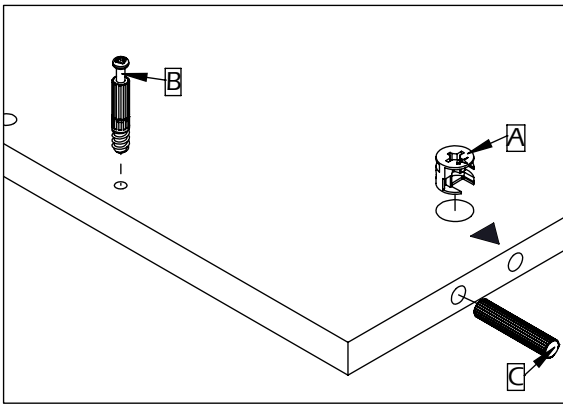
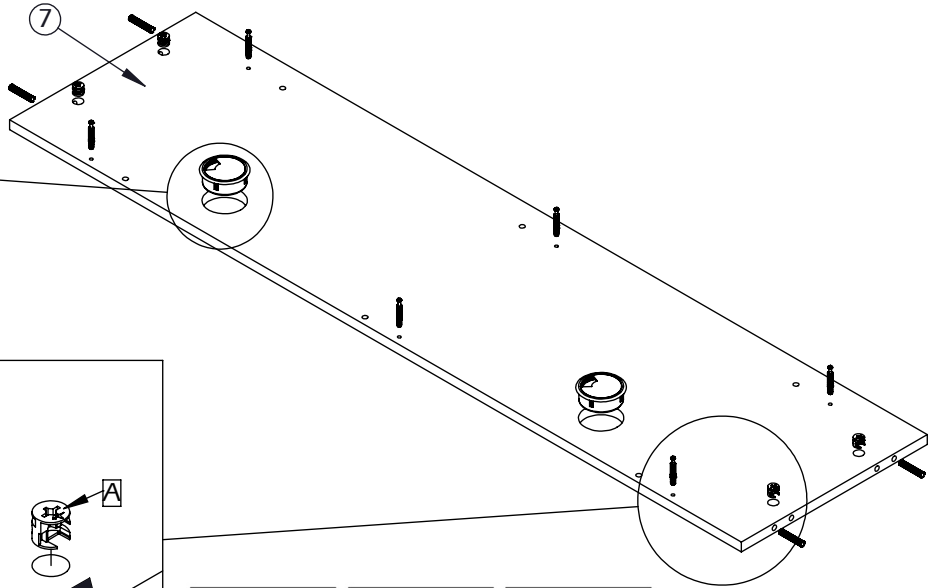
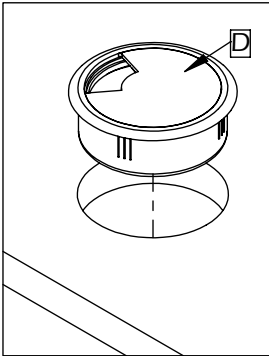
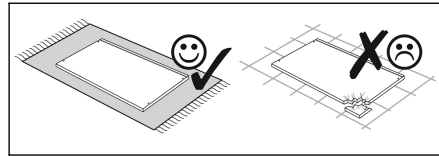


Ø15x13mm

Ø7x41mm

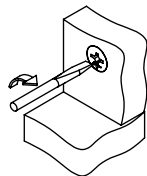
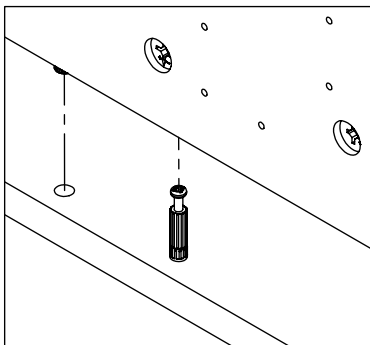
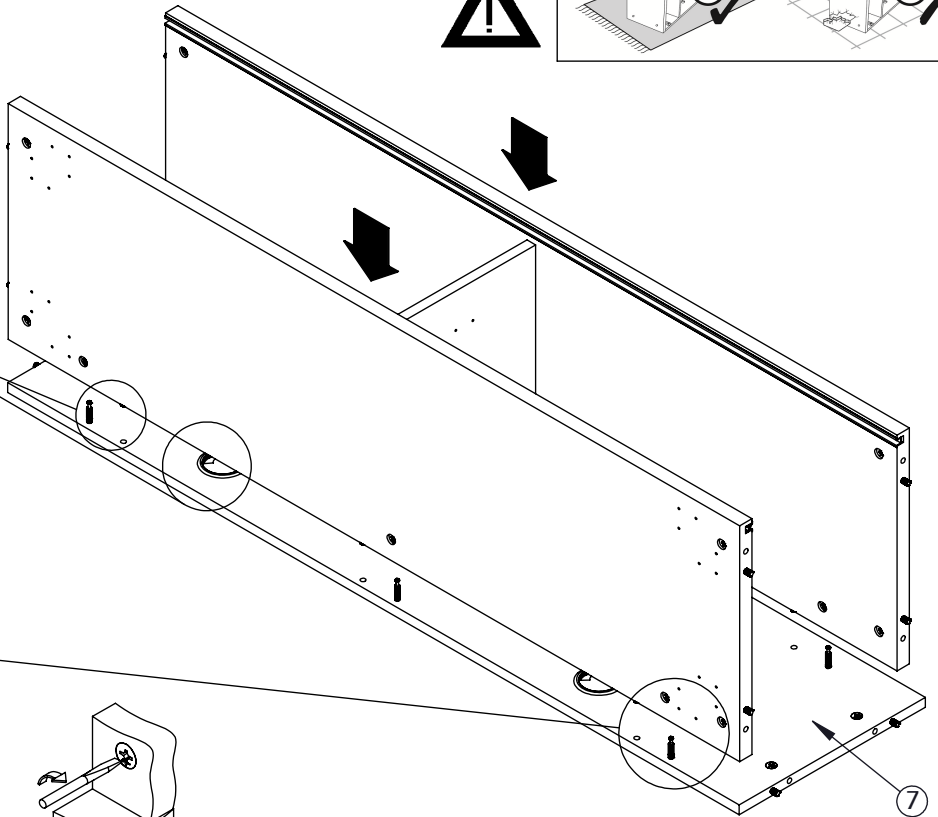
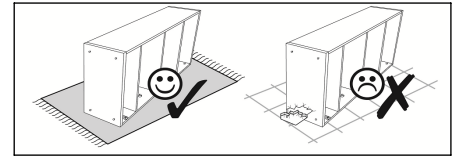
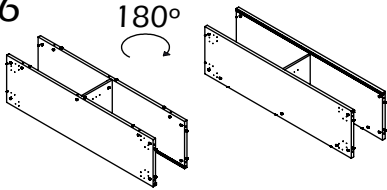
Ø8x40mm

Ø60x24mm



6

180°

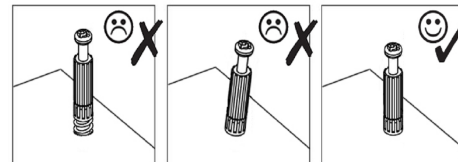
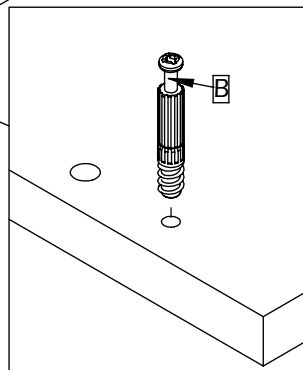
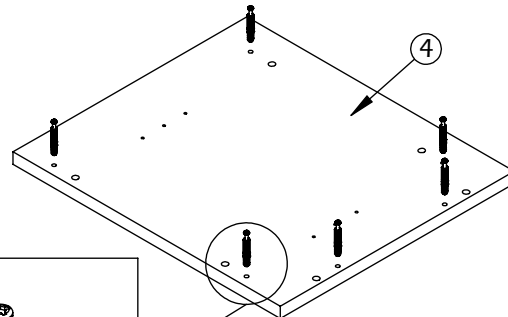
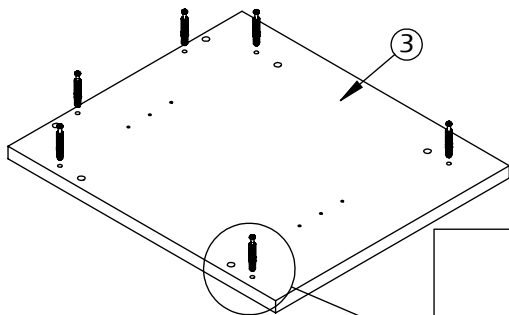
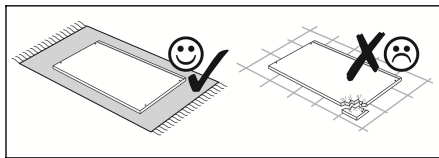


7

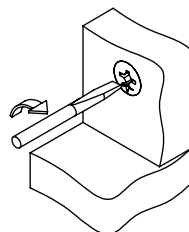
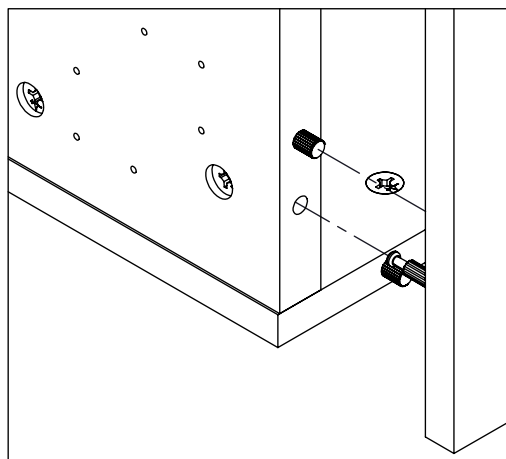
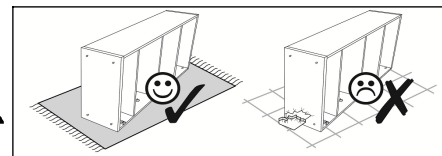
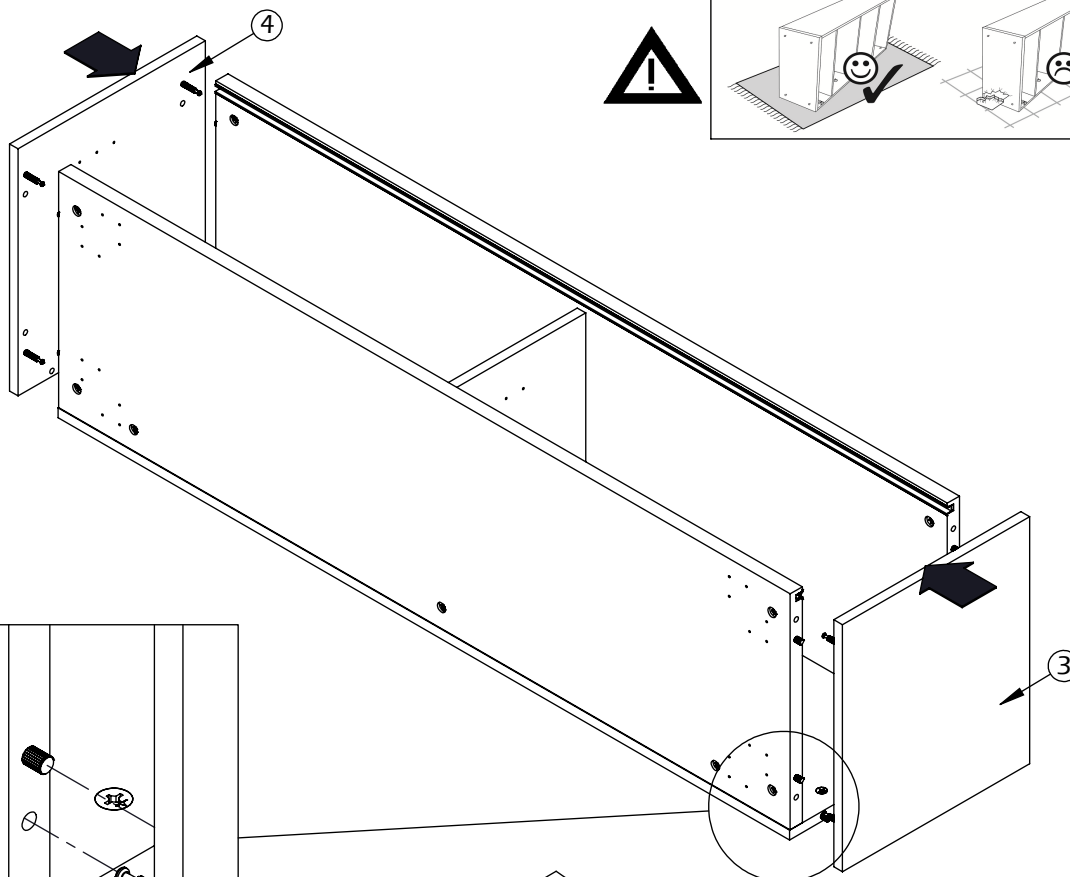
B-12x



Ø7x41mm



8

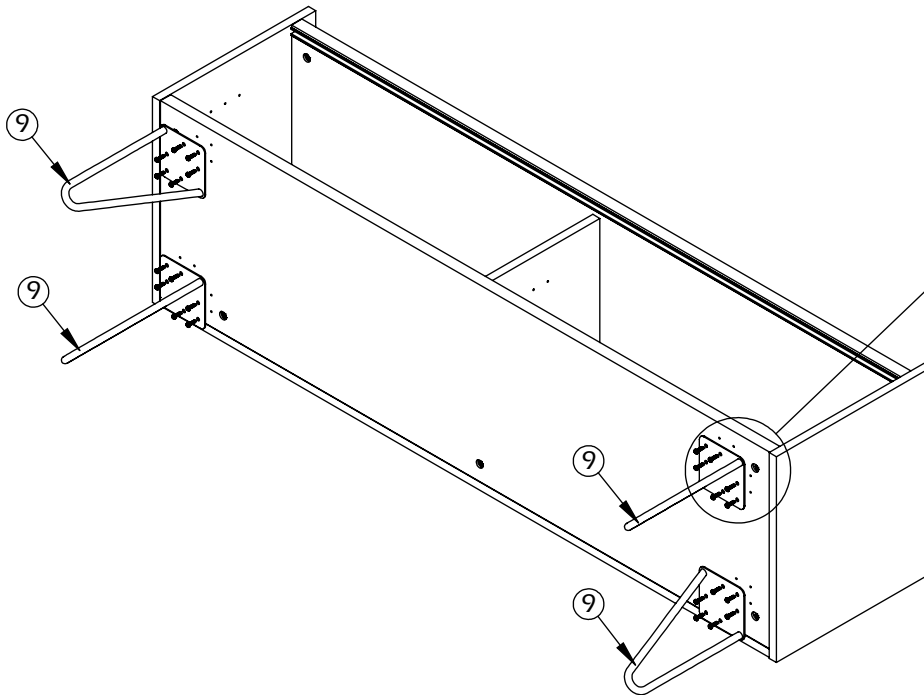
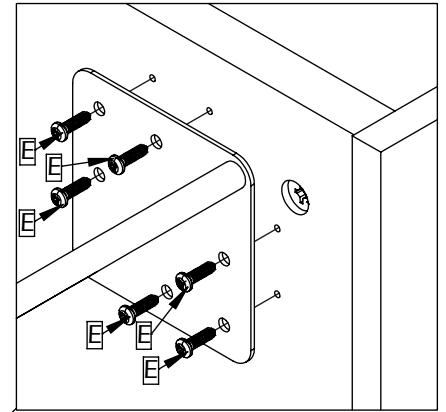
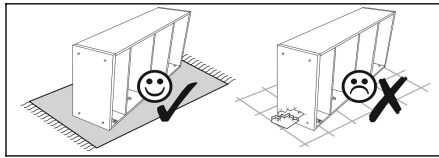


9

E-24x



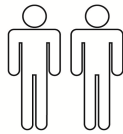
Ø4x16mm



10

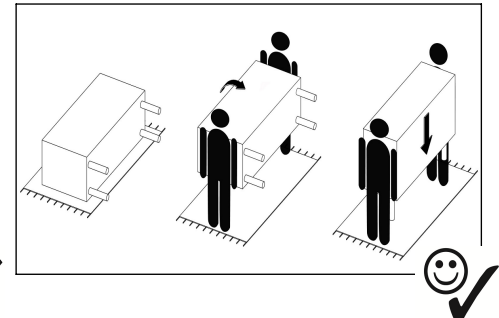
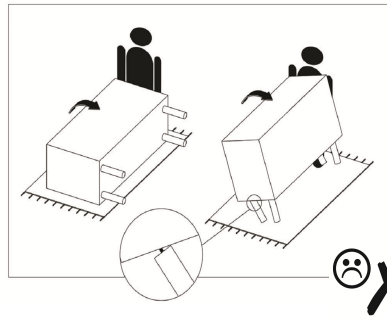
F-4x

I-10x/8x

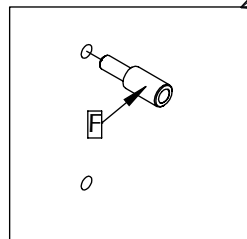
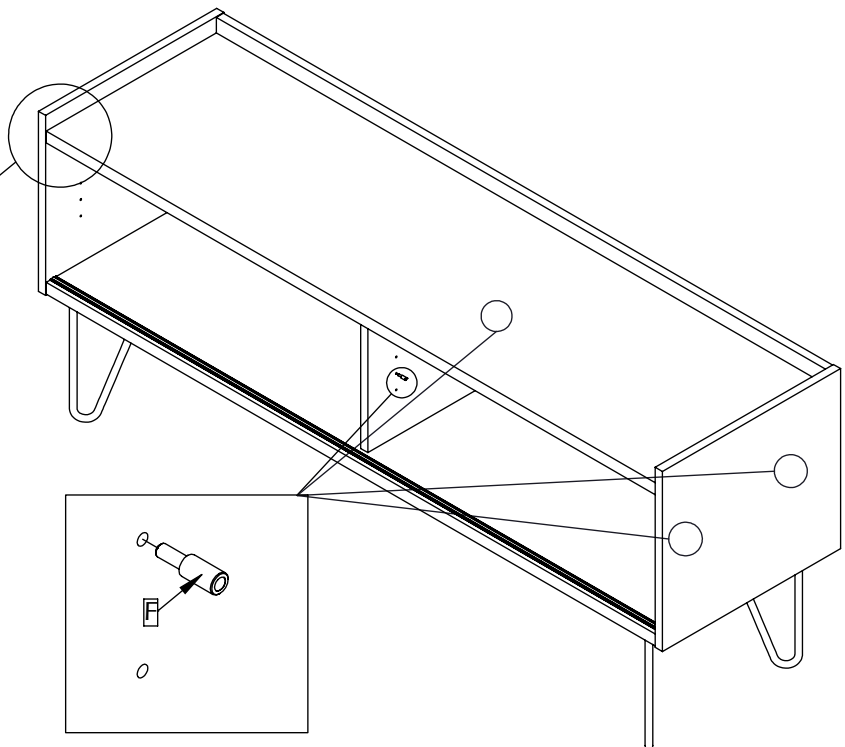
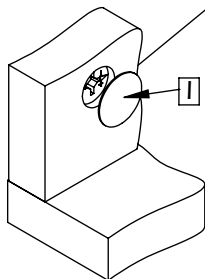
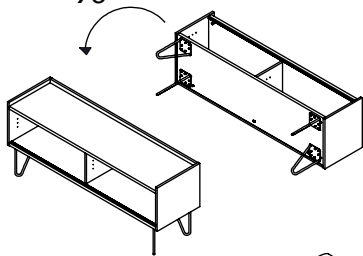


Ø6,5x16mm

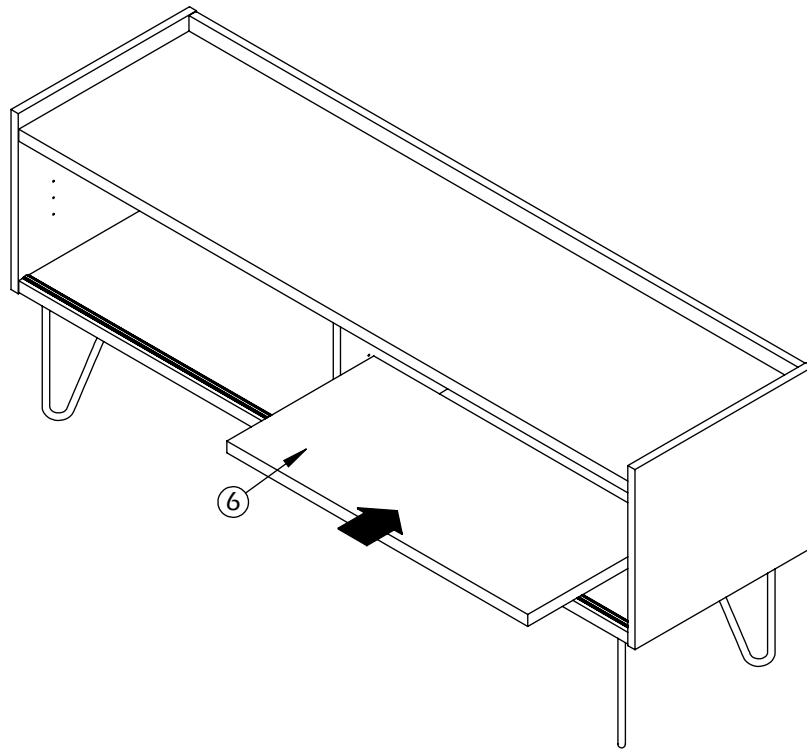
Ø20x0,5mm





90°

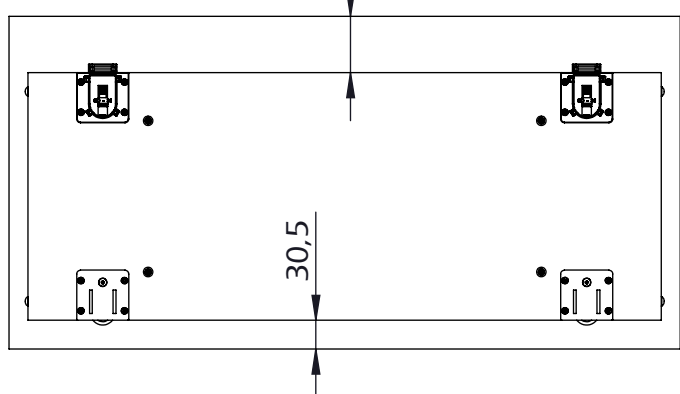
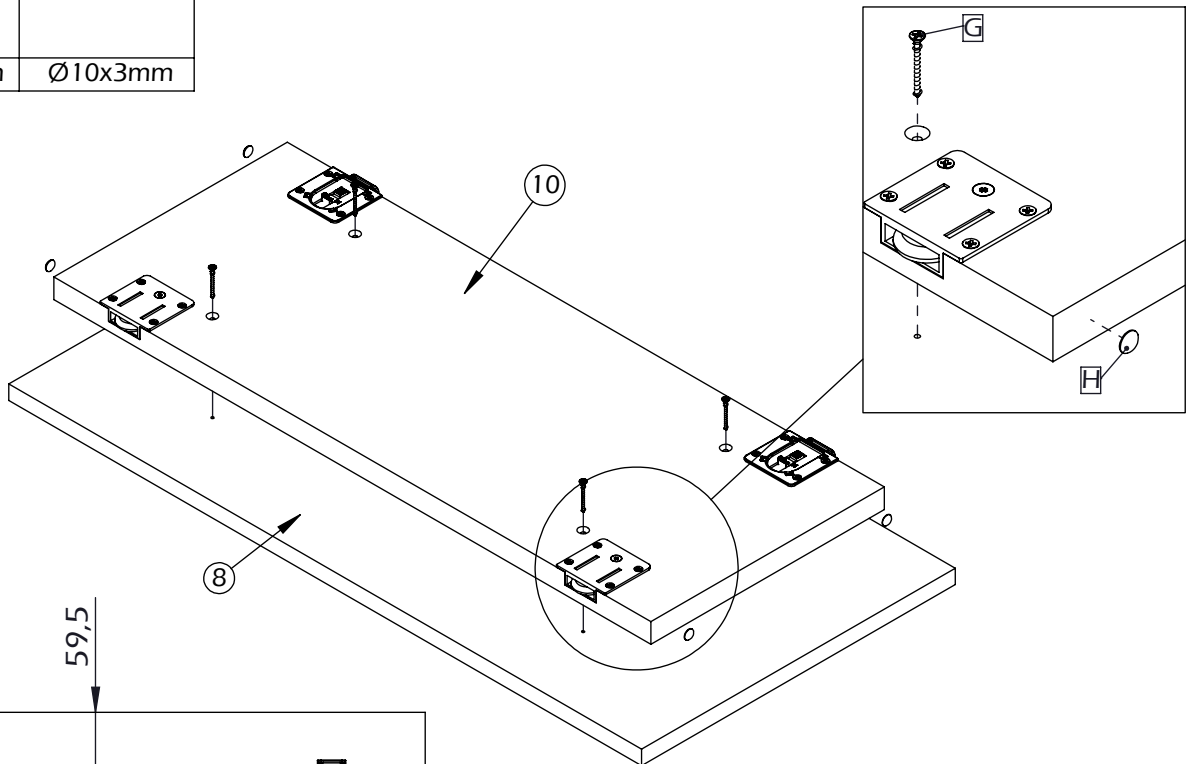
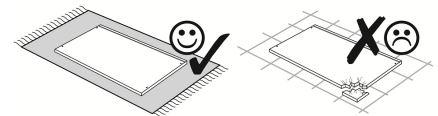


11



12

G-4x	H-4x
	
Ø3,5x30mm	Ø10x3mm



13

