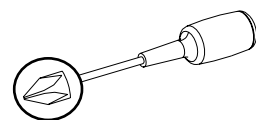
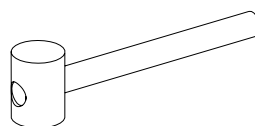
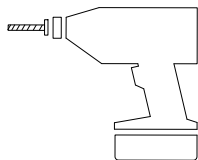
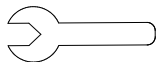
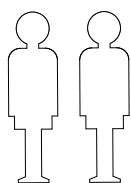
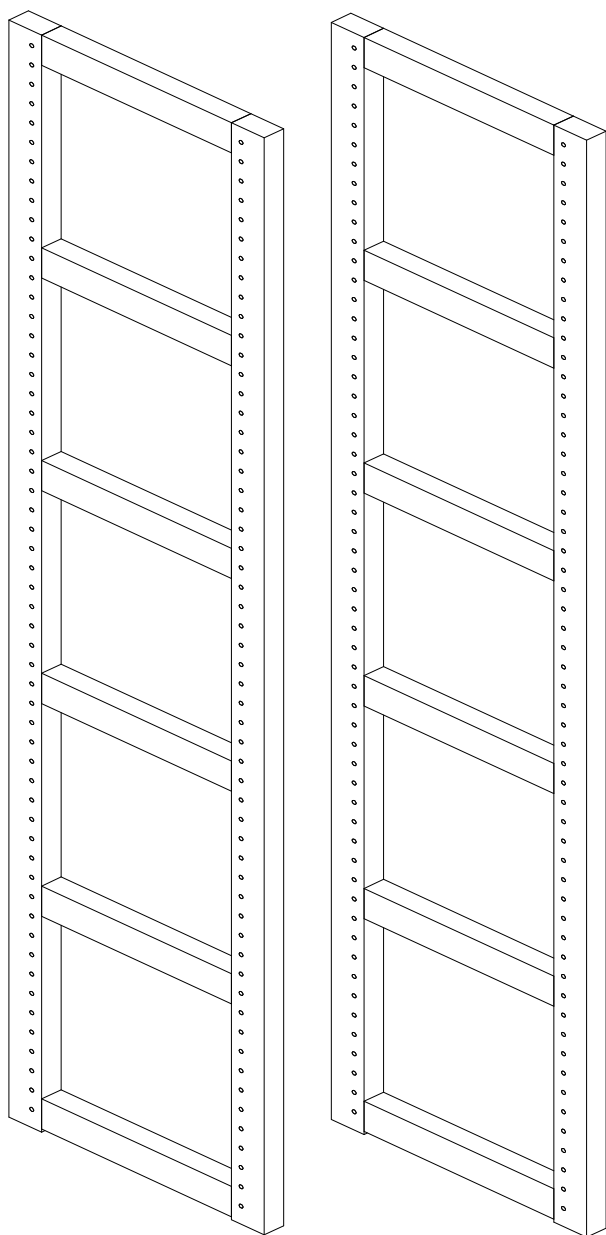


38-0001-32-002

hoppekids®
- with heart & soul



 www.hoppekids.com

 facebook.com/hoppekids

 [@hoppekids_official](https://instagram.com/hoppekids_official)

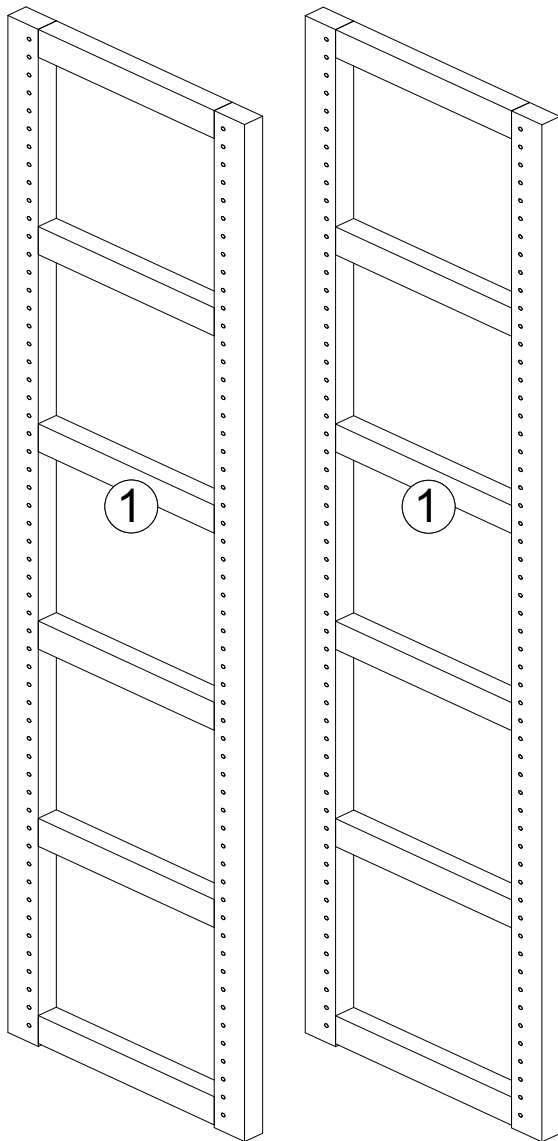
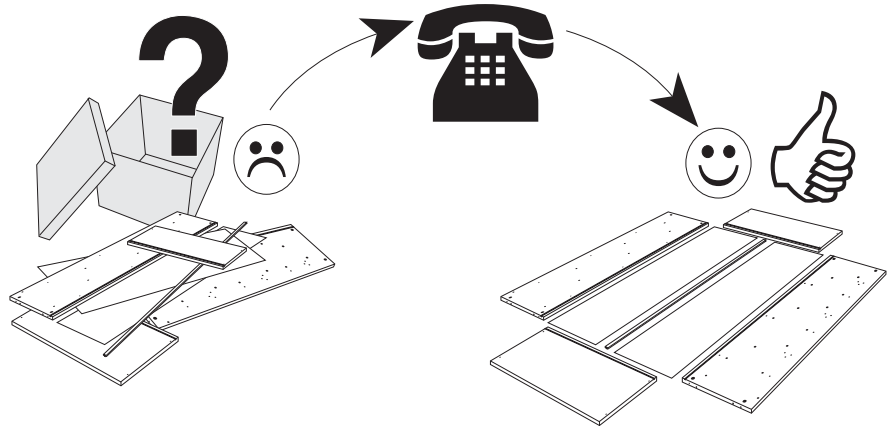
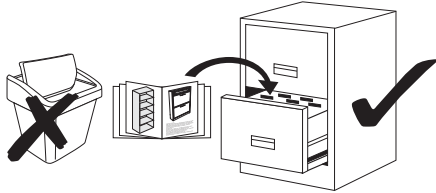
Hoppekids SIA, Novadnieki, LV-3801, Saldus

Service Assistenza Dienstverleining Serwis Servis Szerviz Сервисная служба

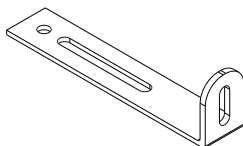
Name Nom Nome Naam Nazwa Jmeno Nazov Nev
 Denumire Isim Название

Nr. No. N° Č Sz Номер

Typ Type Tip Tipus Druh Tipo Тип



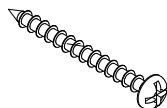
Detail Specification		
A.i.Nr.	Article Nr.	Pcs.
①	116001-32	x2



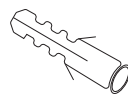
b



c



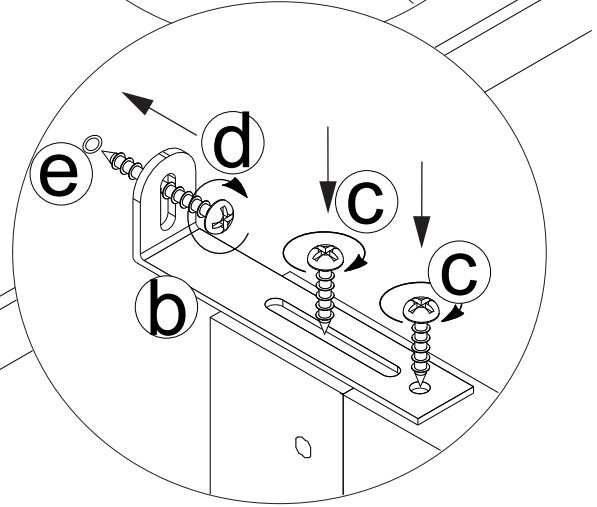
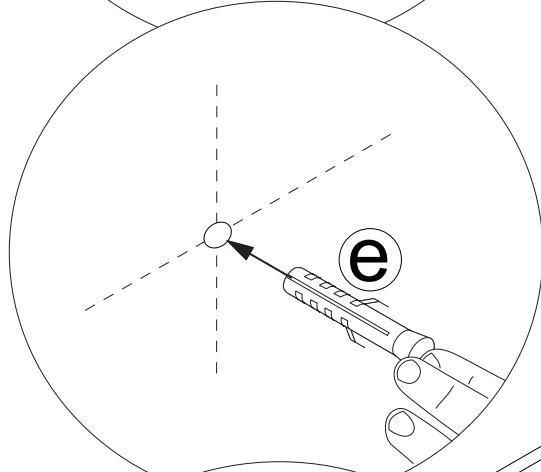
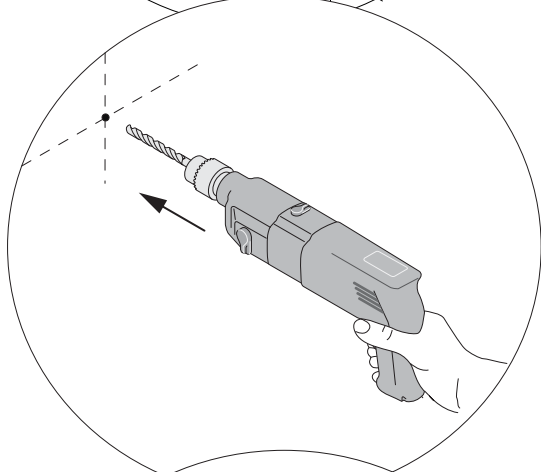
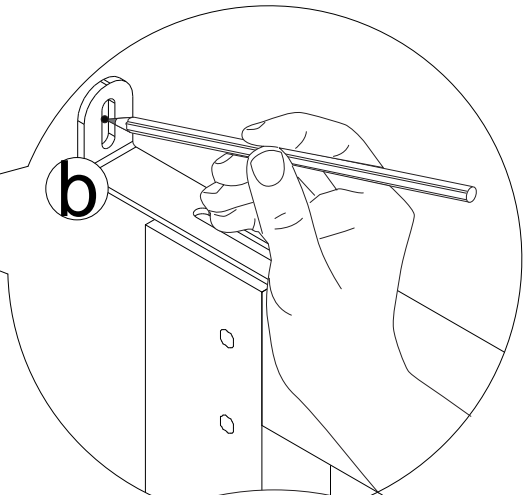
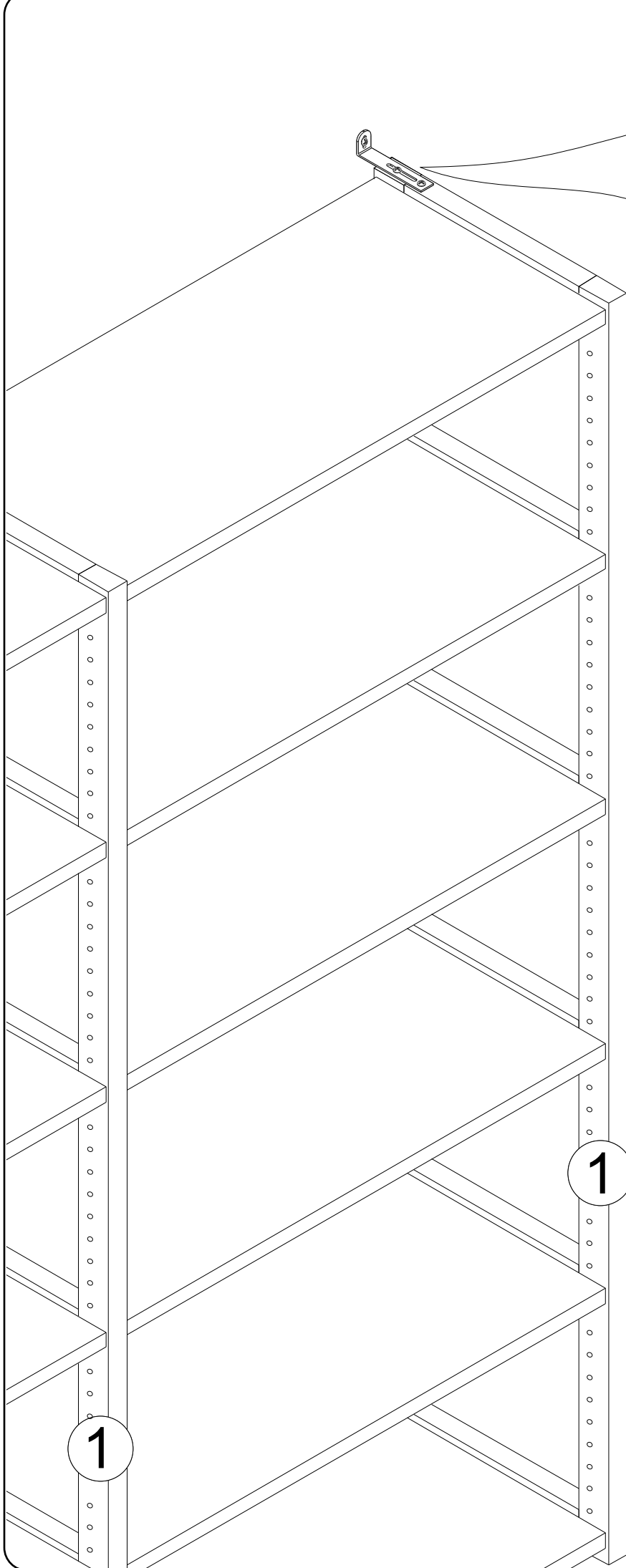
d



e

1-000001

Fitting Specification			
A.i.Nr.	Article Nr.	Dim.	Pcs.
b	1-000220-07	77x15x21	x2
c	1-000221-07	3x15	x4
d	1-000222-07	3x42	x2
e	1-000223-57	6x29	x2

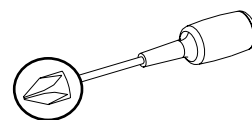
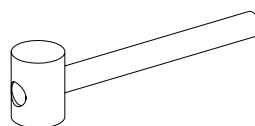
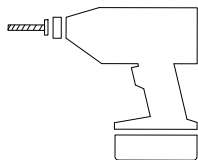
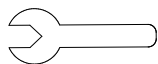
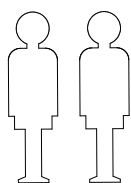
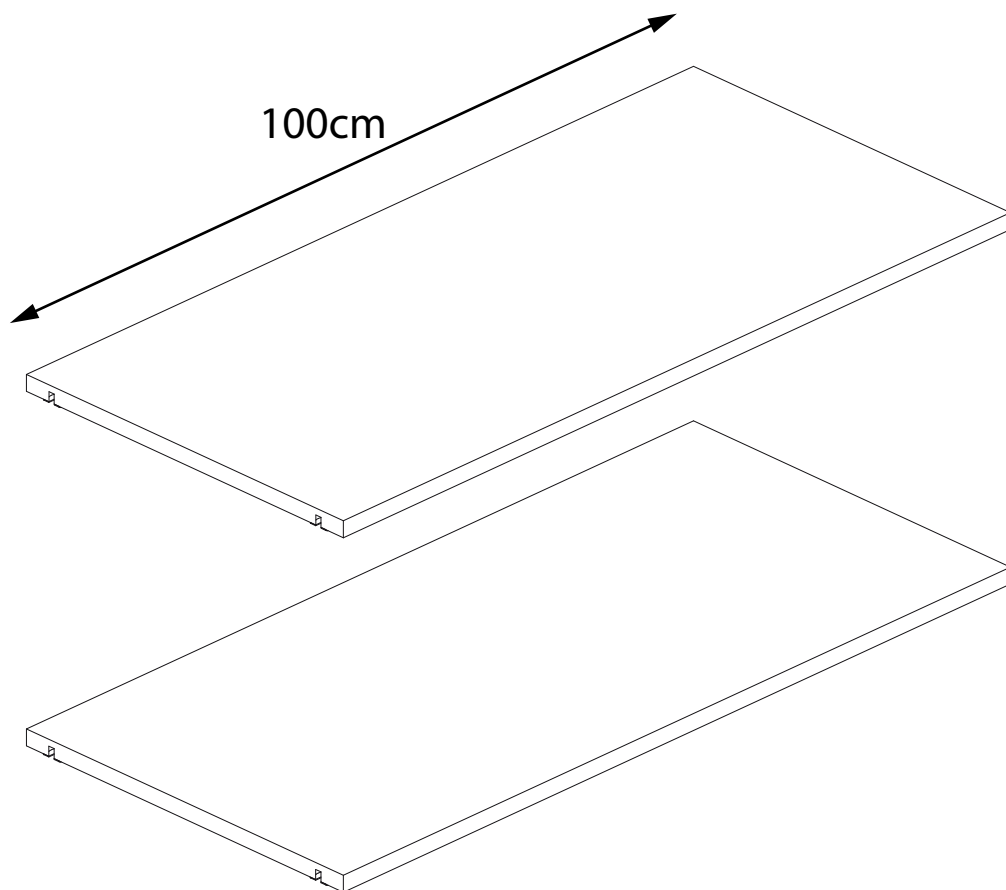


1

1

38-0002-82-102

hoppekids®
- with heart & soul



 www.hoppekids.com

 facebook.com/hoppekids

 [@hoppekids_official](https://instagram.com/hoppekids_official)

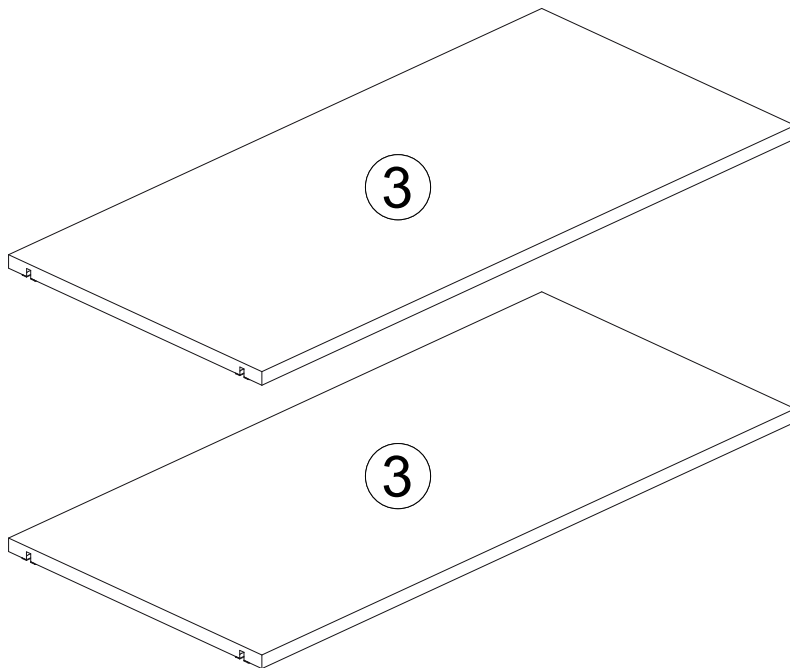
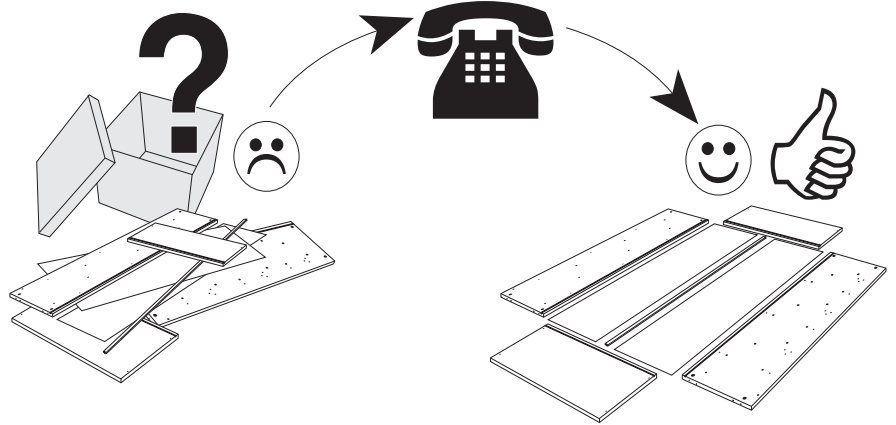
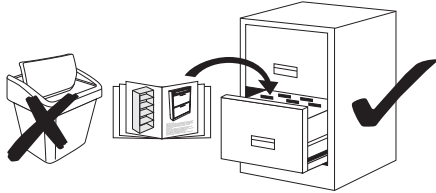
Hoppekids SIA, Novadnieki, LV-3801, Saldus

○Service ○Assistenza ○Dienstverleining ○Serwis ○Servis ○Szerviz ○Сервисная служба

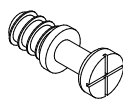
○Name ○Nom ○Nome ○Naam ○Nazwa ○Jmeno ○Nazov ○Nev
 ○Denumire ○sim ○Название

○Nr. ○No. ○N° ○Č ○Sz ○Номер

○Typ ○Type ○Tip ○Tipus ○Druh ○Típo ○Тип



Detail Specification		
A.i.Nr.	Article Nr.	Pcs.
3	116005-82	x2

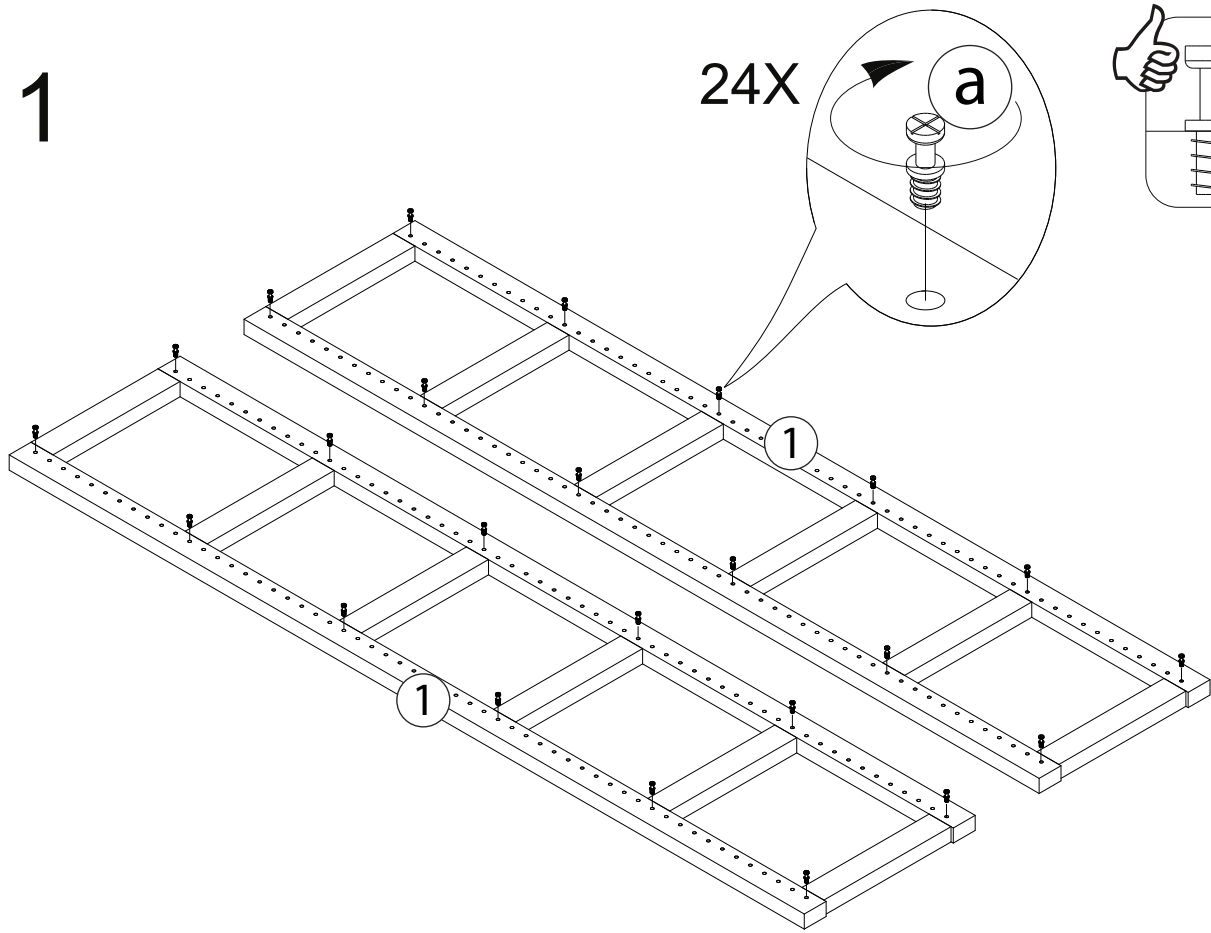


a

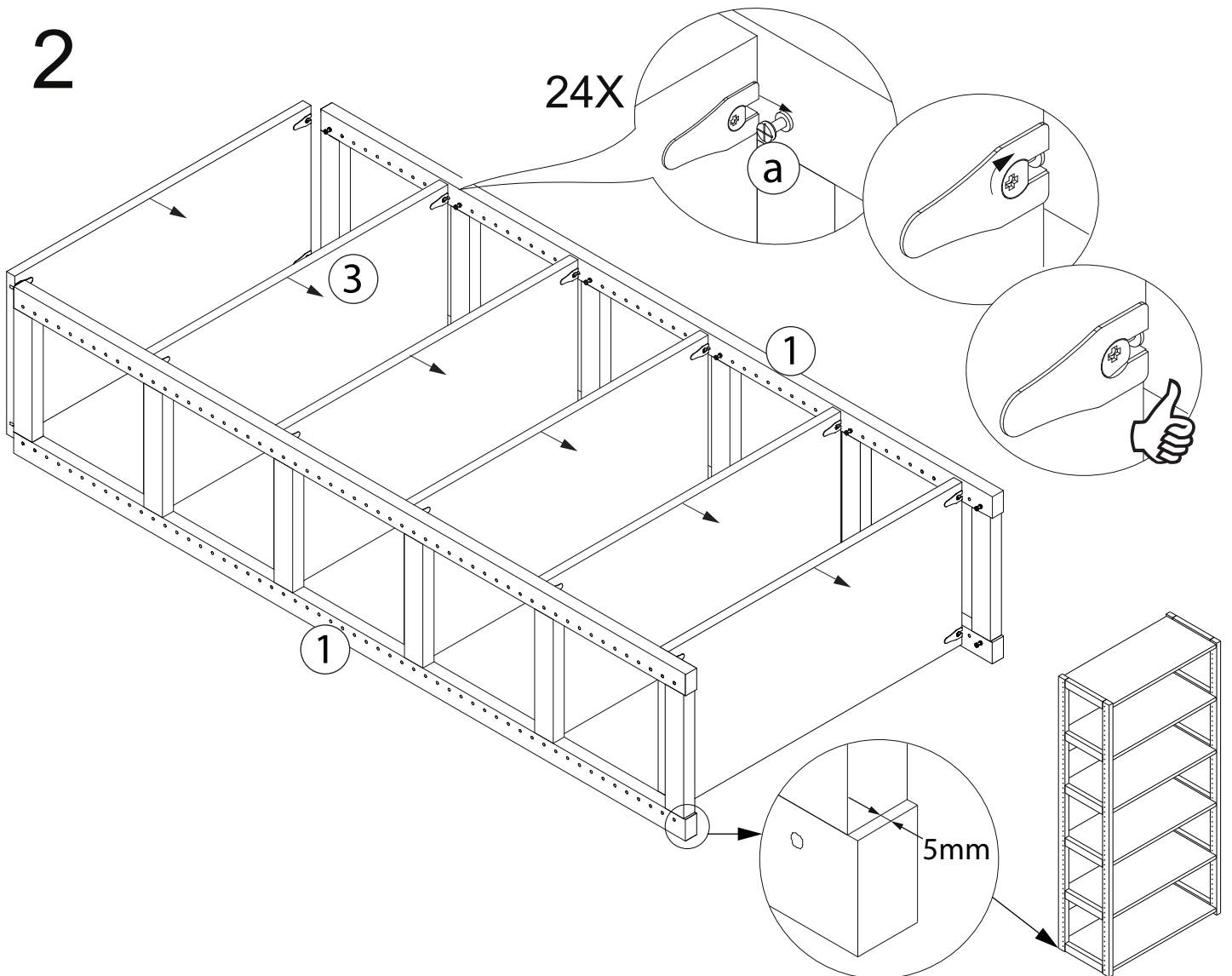
1-000001

Fitting Specification			
A.i.Nr.	Article Nr.	Dim.	Pcs.
a	1-000224-07	6x11	x8

1

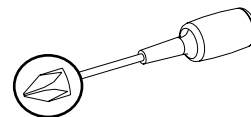
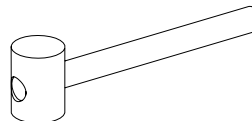
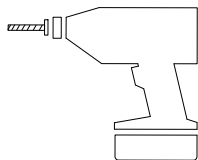
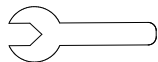
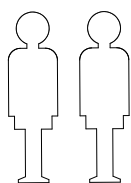
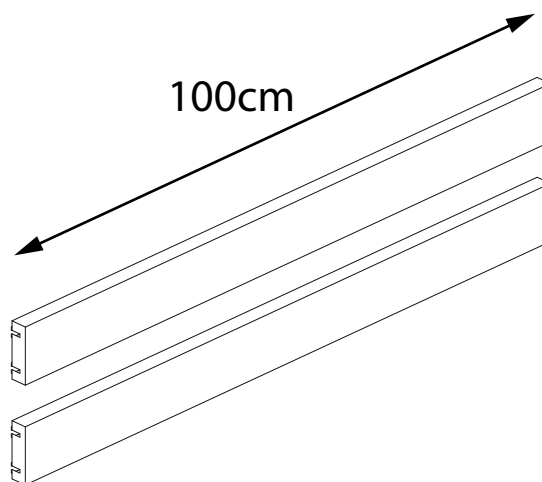
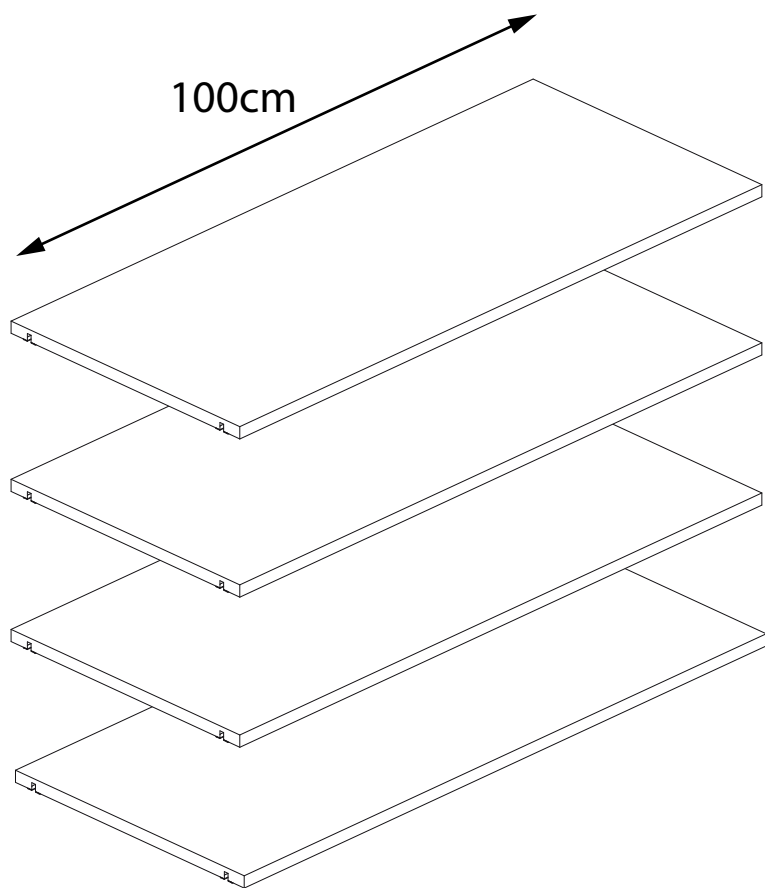


2



38-0005-82-106

hoppekids®
- with heart & soul



 www.hoppekids.com

 facebook.com/hoppekids

 [@hoppekids_official](https://instagram.com/hoppekids_official)

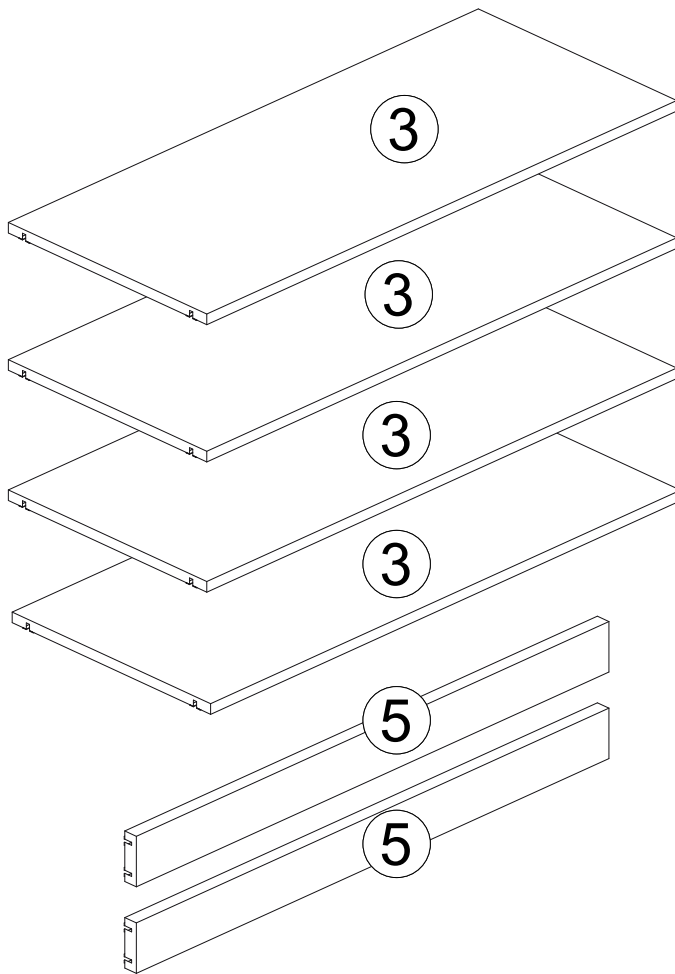
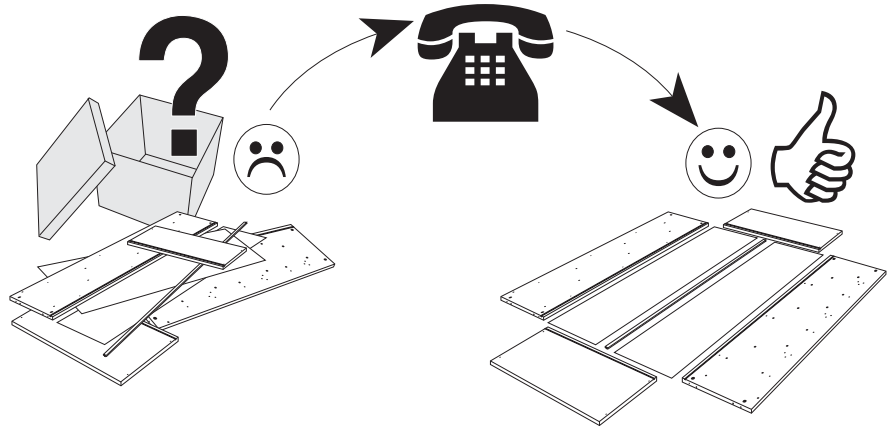
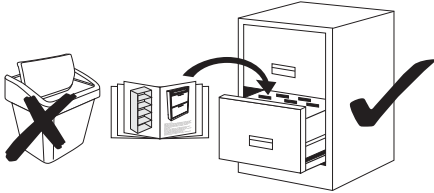
Hoppekids SIA, Novadnieki, LV-3801, Saldus

Service Assistenza Dienstverleining Serwis Servis Szerviz Сервисная служба

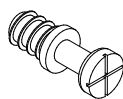
Name Nom Nome Naam Nazwa Jmeno Nazov Nev
 Denumire Isim Название

Nr. No. N° Č Sz Номер

Type Type Tip Tipus Druh Tiro Тип



Detail Specification		
A.i.Nr.	Article Nr.	Pcs.
3	116005-82	x4
5	116007-82	x2

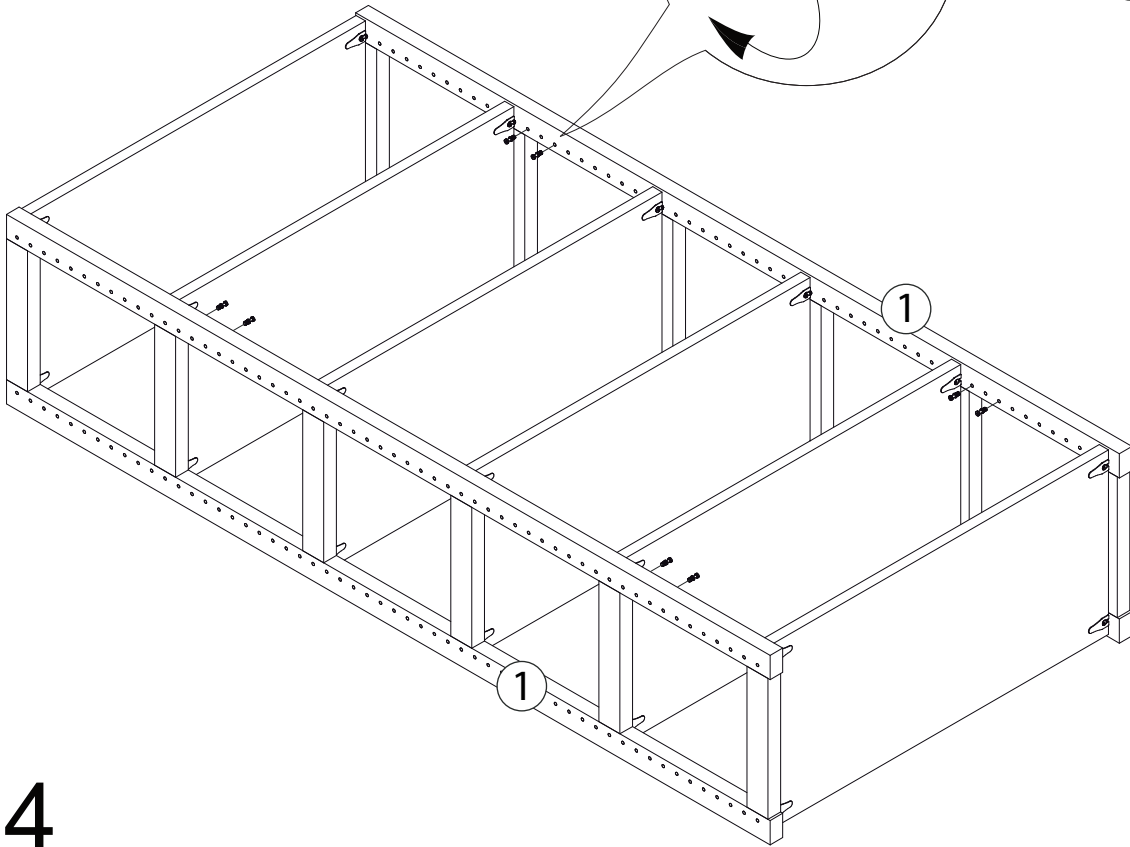
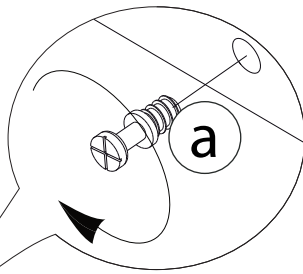
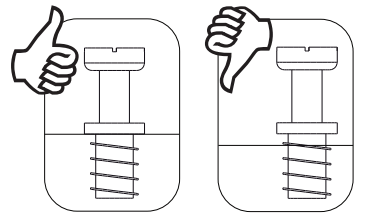


a

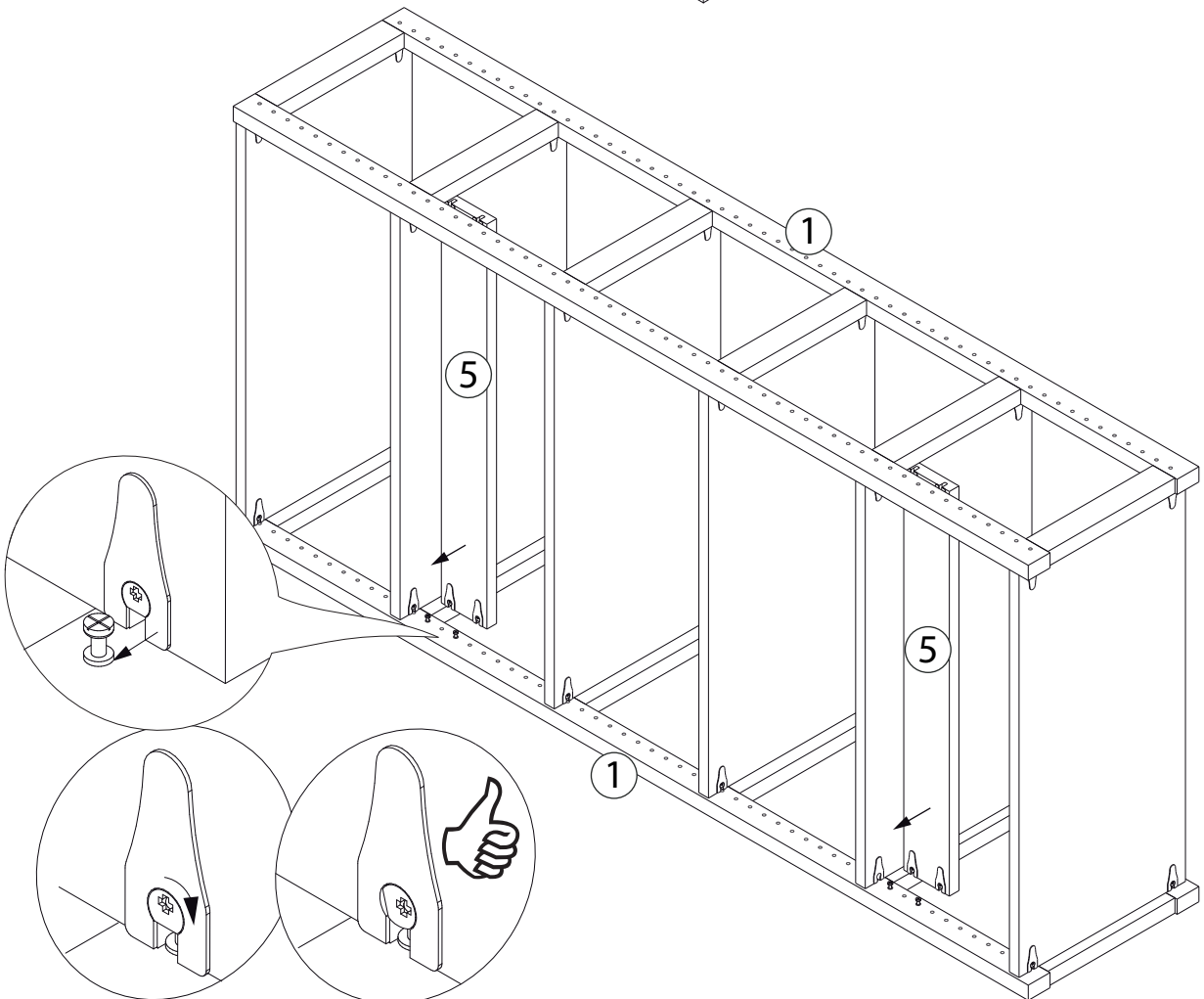
1-000001

Fitting Specification			
A.i.Nr.	Article Nr.	Dim.	Pcs.
a	1-000224-07	6x11	x24

3

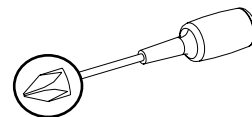
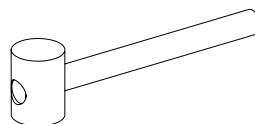
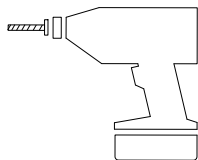
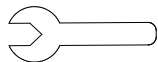
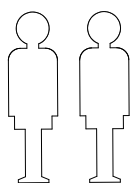
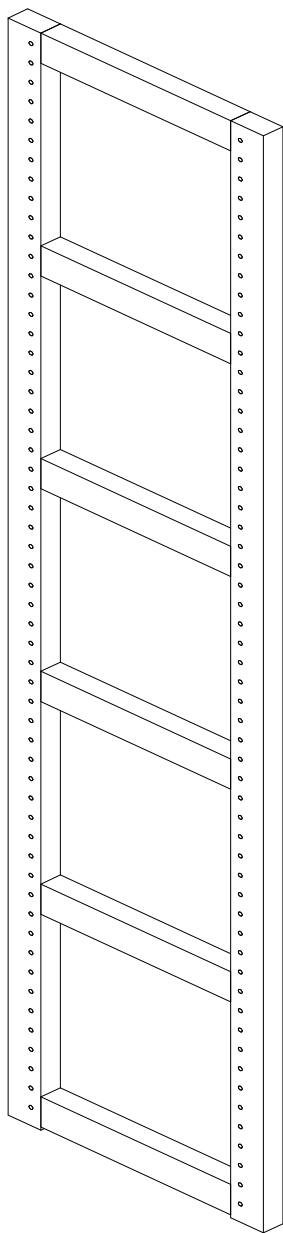


4



38-0001-32-001

hoppekids®
- with heart & soul



 www.hoppekids.com

 facebook.com/hoppekids

 [@hoppekids_official](https://instagram.com/hoppekids_official)

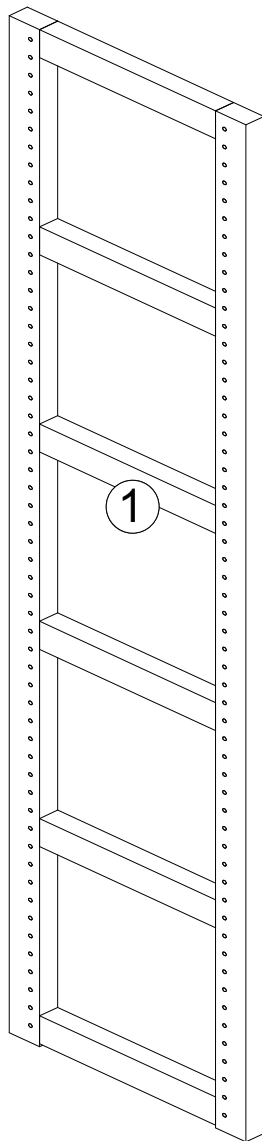
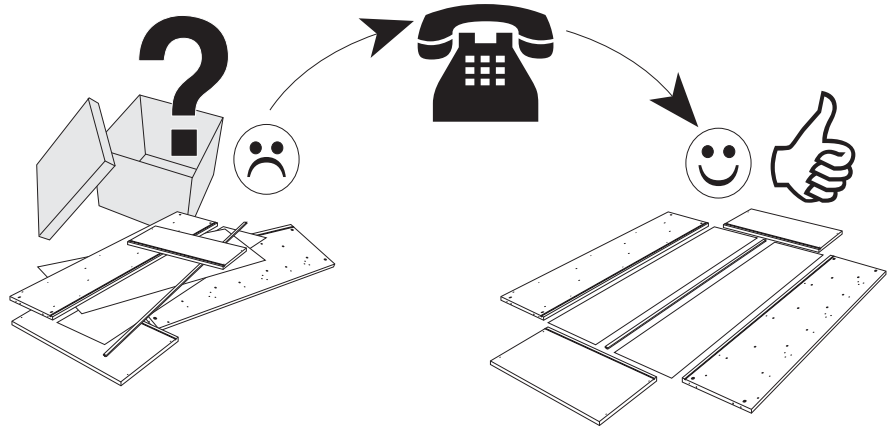
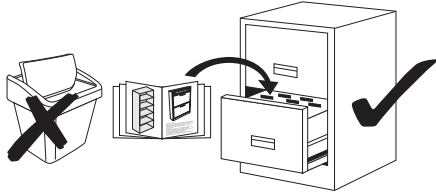
Hoppekids SIA, Novadnieki, LV-3801, Saldus

Service Assistenza Dienstverleining Serwis Servis Szerviz Сервисная служба

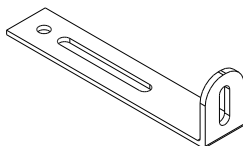
Name Nom Nome Naam Nazwa Jmeno Nazov Nev
 Denumire sim Название

Nr. No. N° Č Sz Номер

Typ Type Tip Tipus Druh Tiro Тип



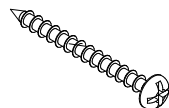
Detail Specification		
A.i.Nr.	Article Nr.	Pcs.
①	116001-32	x1



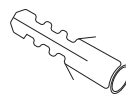
b



c



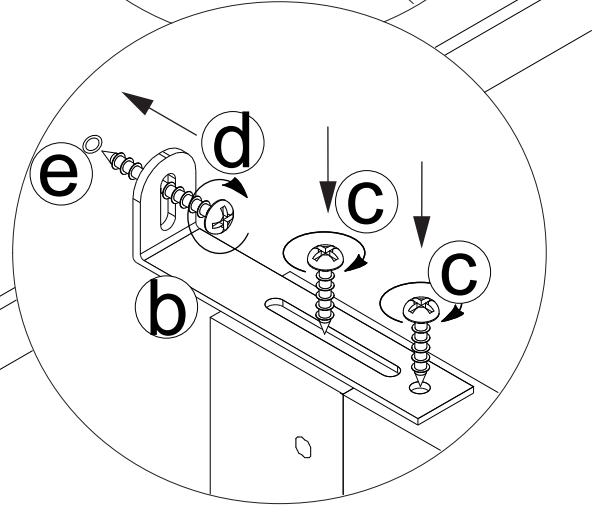
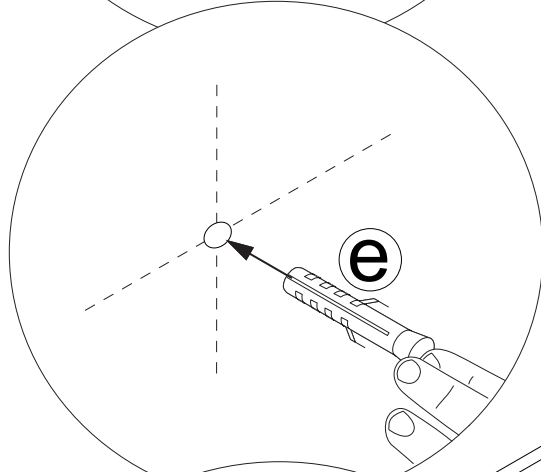
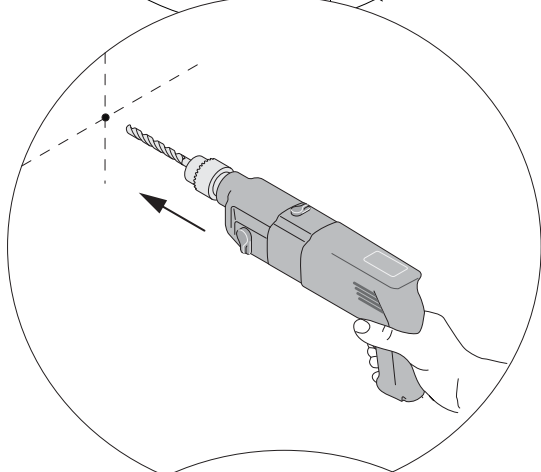
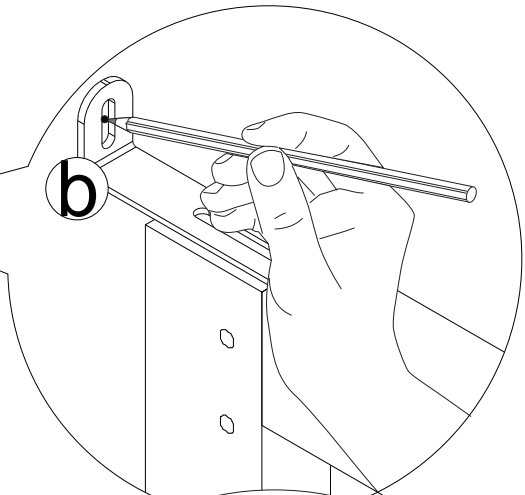
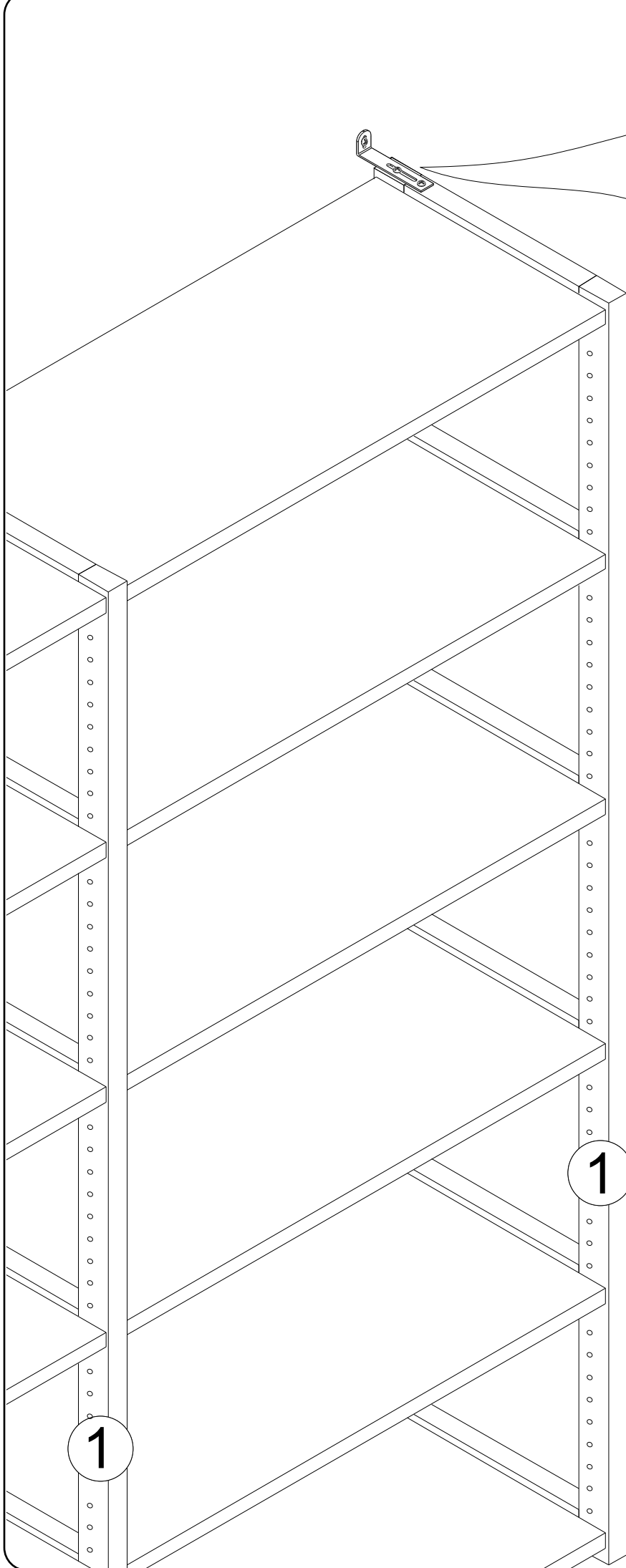
d



e

1-000001

Fitting Specification			
A.i.Nr.	Article Nr.	Dim.	Pcs.
b	1-000220-07	77x15x21	x1
c	1-000221-07	3x15	x2
d	1-000222-07	3x42	x1
e	1-000223-57	6x29	x1

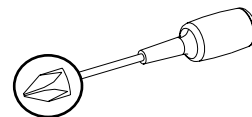
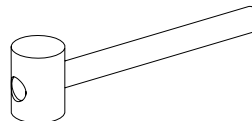
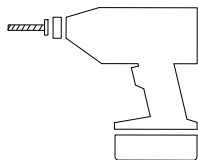
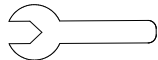
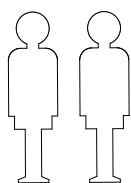
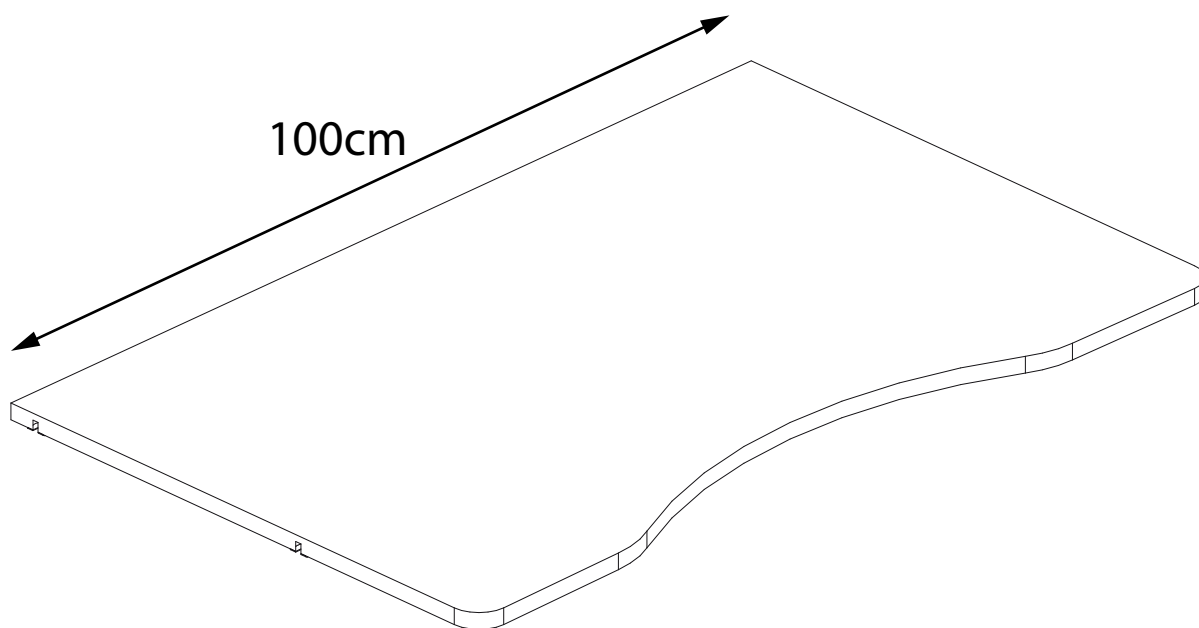


1

1

38-0004-82-101

hoppekids®
- with heart & soul



 www.hoppekids.com

 facebook.com/hoppekids

 [@hoppekids_official](https://instagram.com/hoppekids_official)

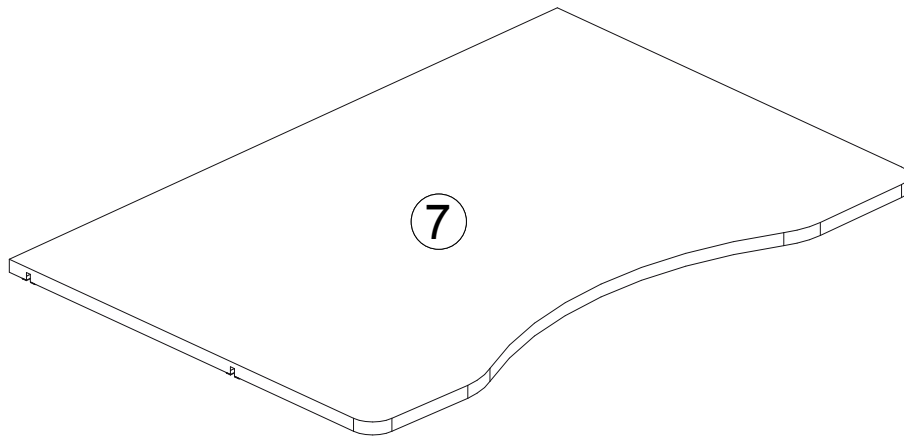
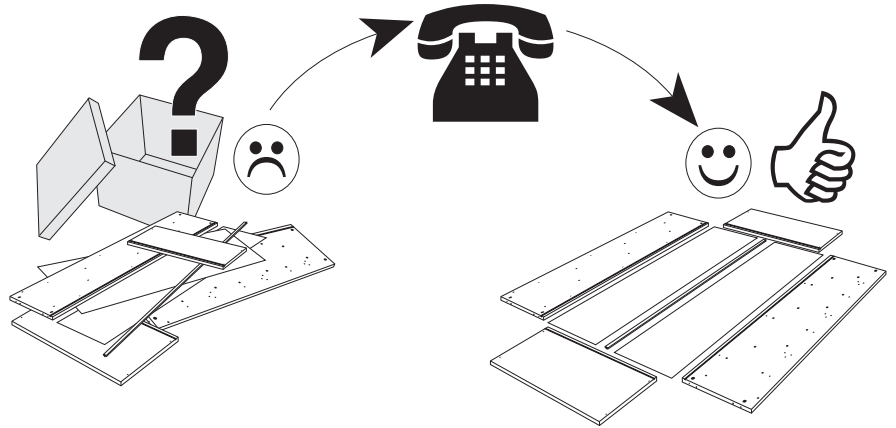
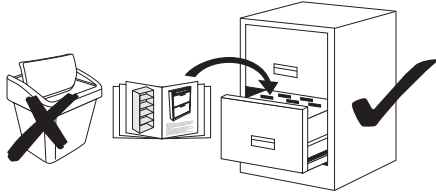
Hoppekids SIA, Novadnieki, LV-3801, Saldus

Service Assistenza Dienstverleining Serwis Servis Szerviz Сервисная служба

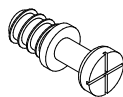
Name Nom Nome Naam Nazwa Jmeno Nazov Nev
 Denumire Isim Название

Nr. No. N° Č Sz Номер

Typ Type Tip Tipus Druh Tiro Tipo Тип



Detail Specification		
A.i.Nr.	Article Nr.	Pcs.
7	116009-82	x1

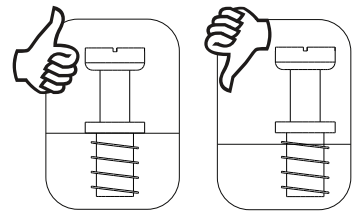
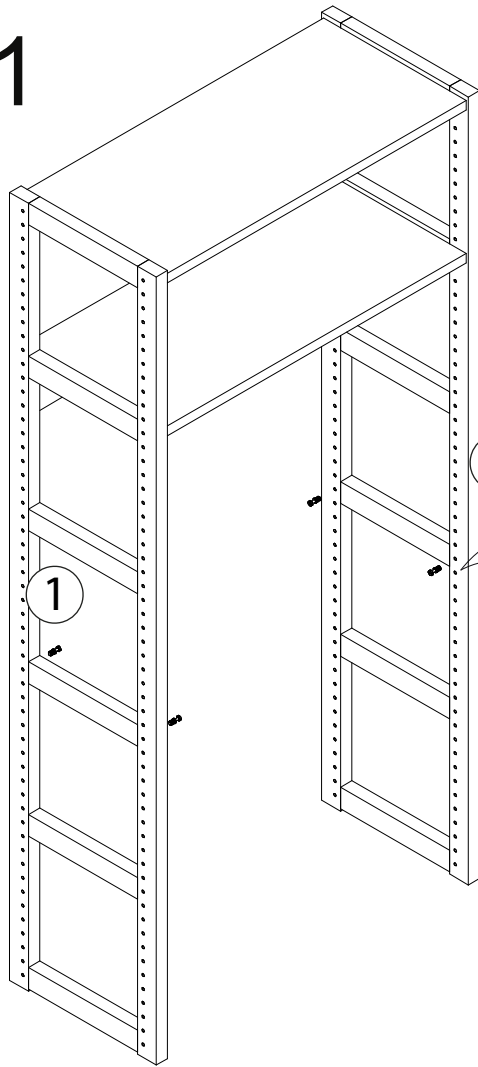


a

1-000001

Fitting Specification			
A.i.Nr.	Article Nr.	Dim.	Pcs.
a	1-000224-07	6x11	x4

1

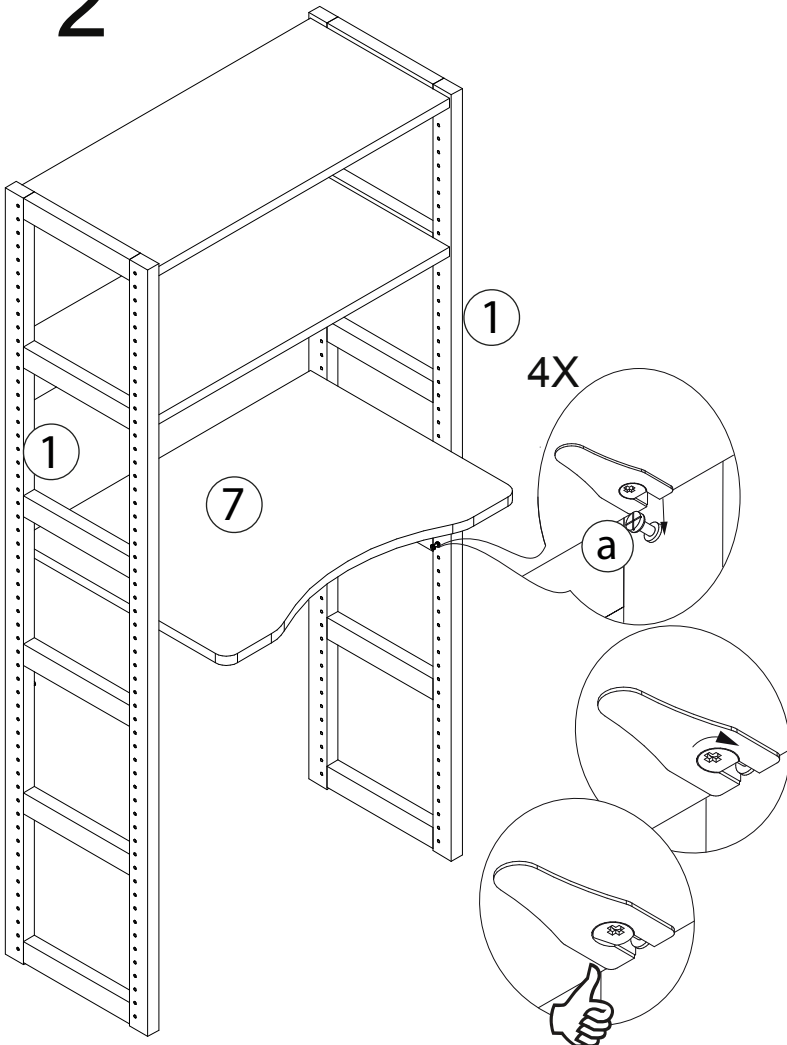


8X

1

a

2



1

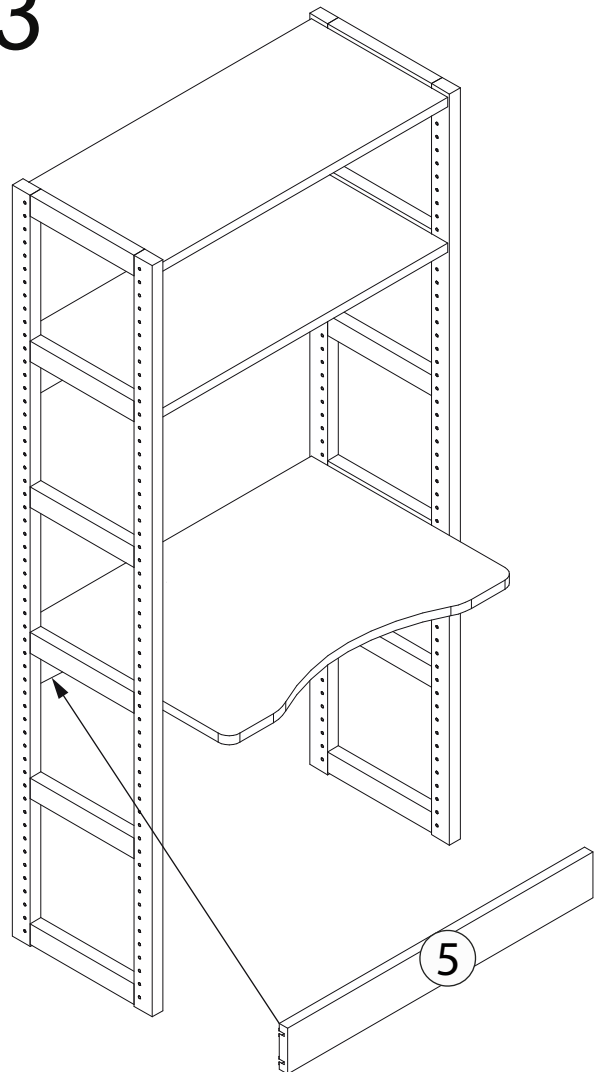
4X

1

7

a

3



5