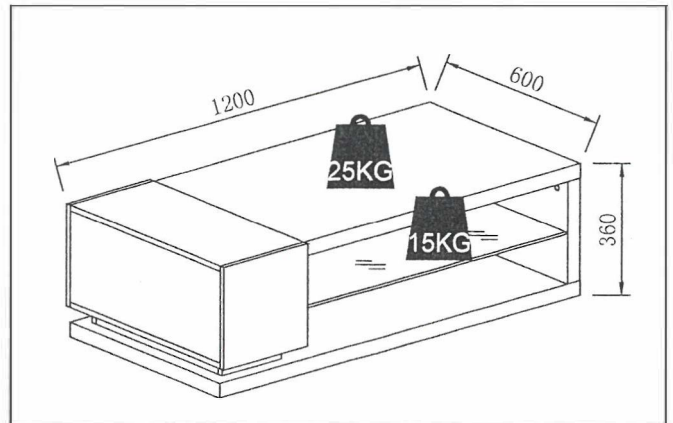
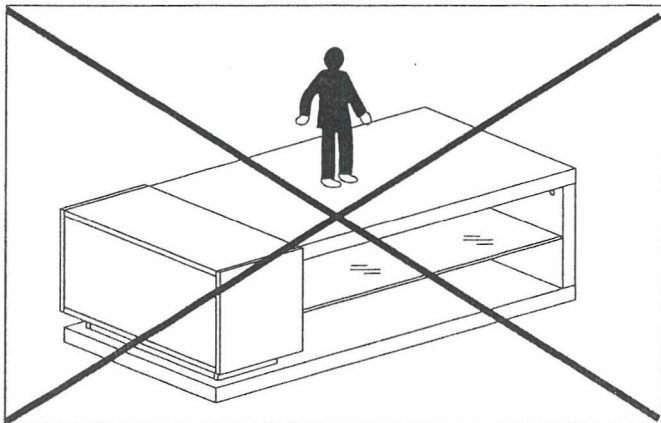
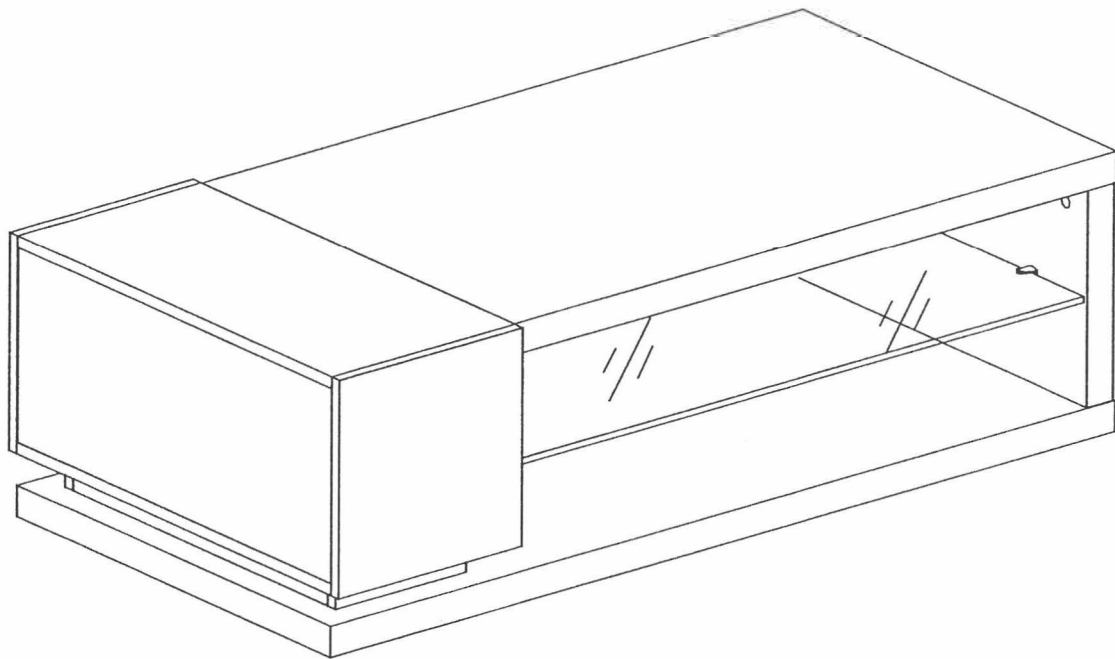


Item number
58180WE2

item name
MANISA

production week/year
22/2022

factory
#200

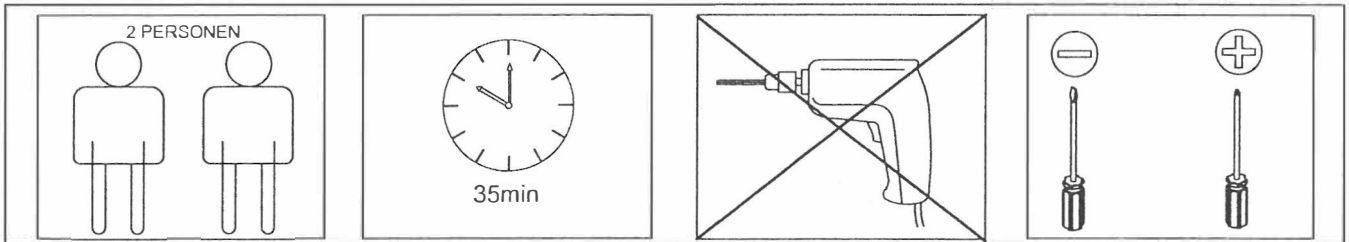
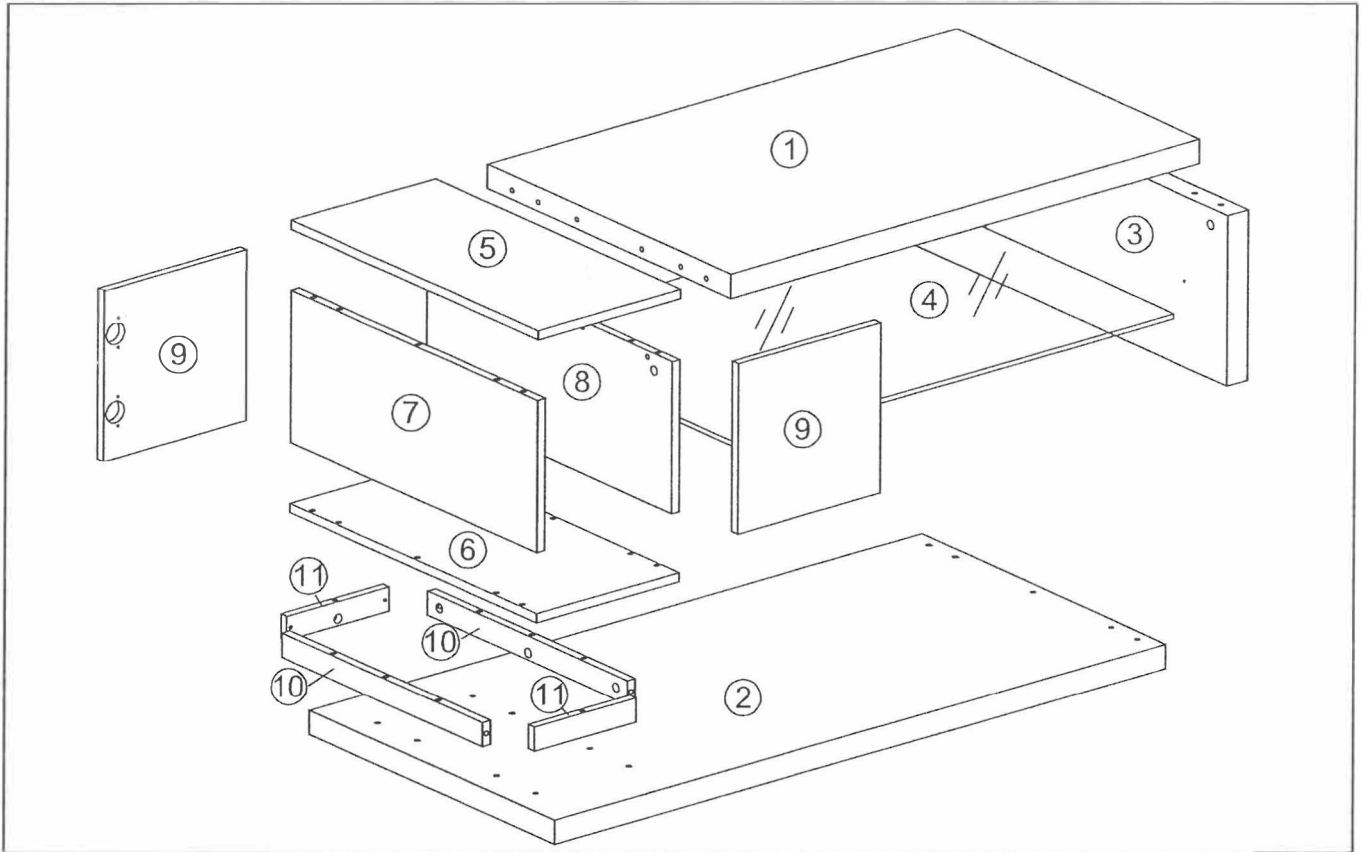














Item number
58180WE2

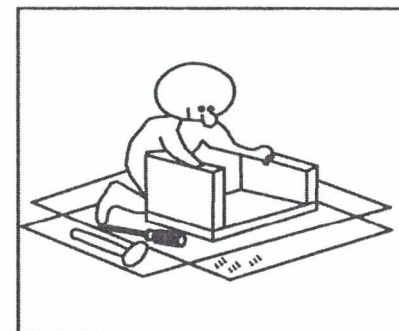
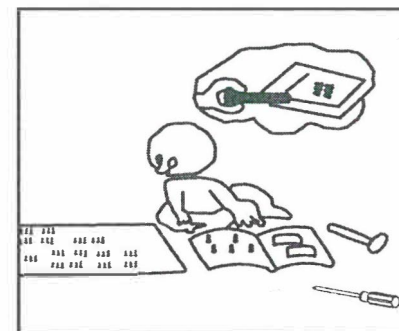
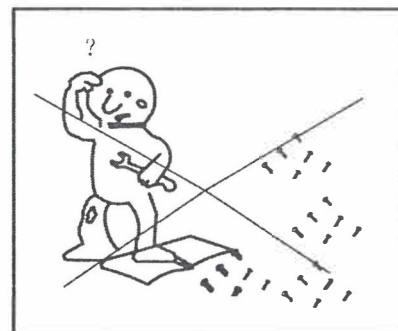
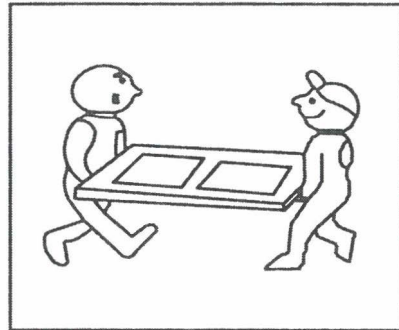
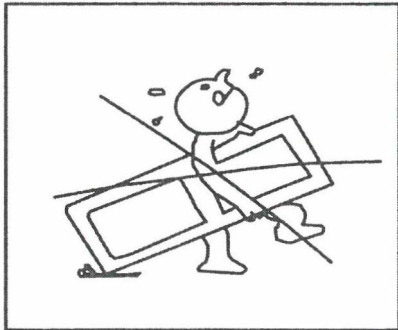
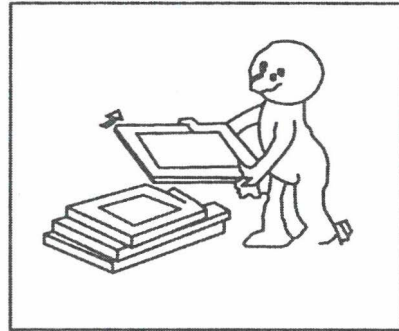
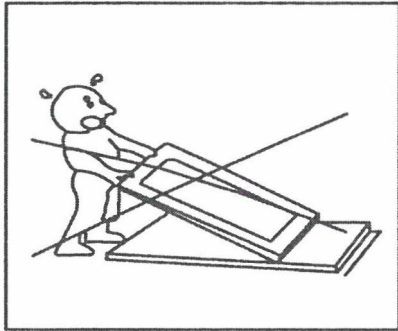
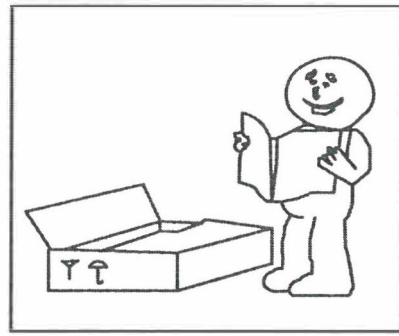
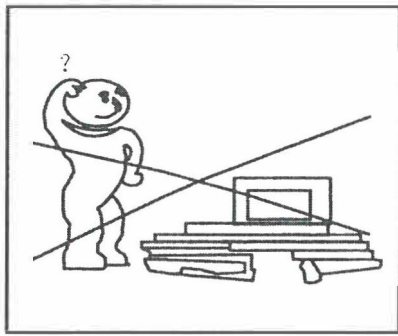
item name
MANISA

production week/year

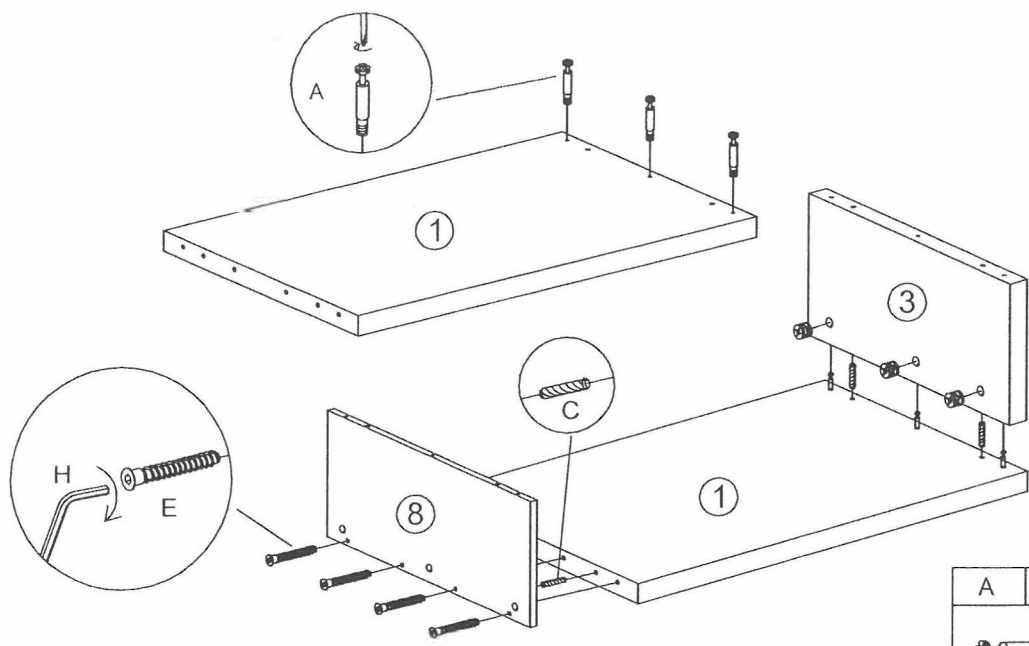
factory
#200



A	x17	B	x17	C	x22	D	x7	E	x10	F	x4
											
M6*35mm		Ø15mm		Ø8*30mm		7*70mm		7*50mm			
G	x4	H	x1	I	x4	J	x3	K	x6	L	x24
											
M3.5*14mm		M4						40*40*5mm		M4*15mm	

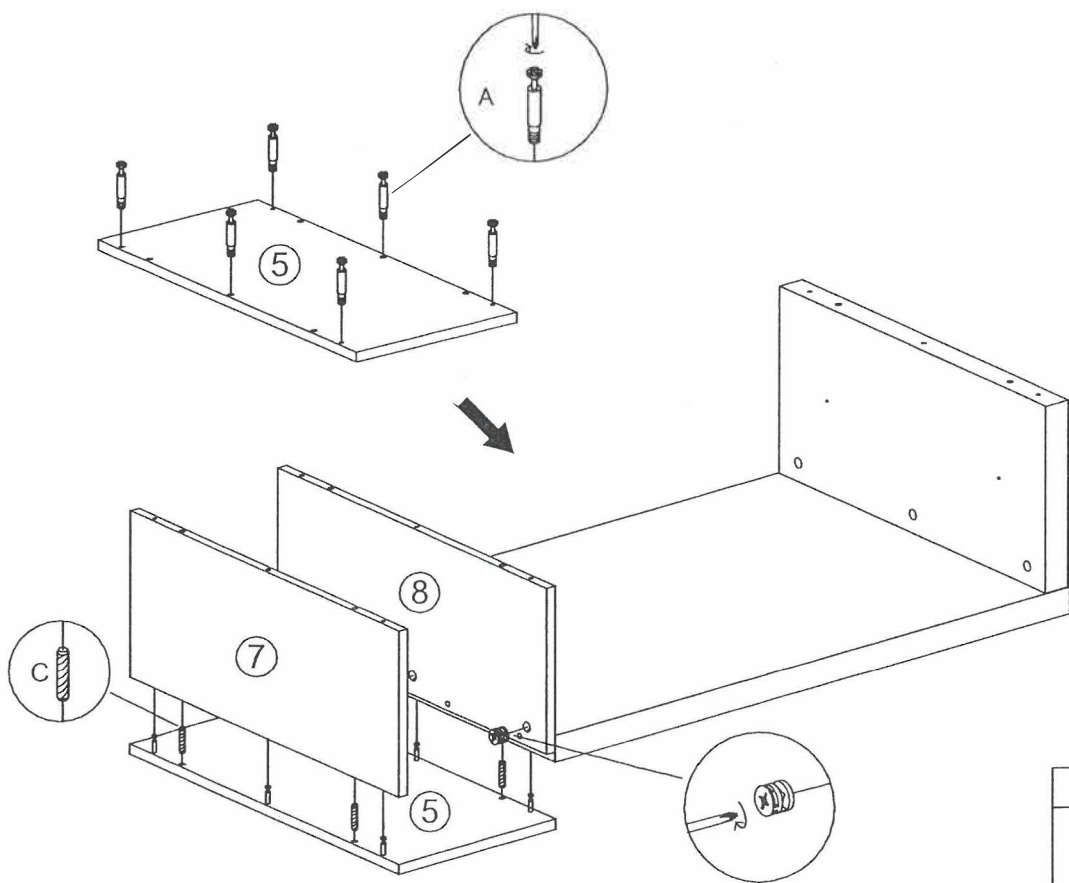


1.



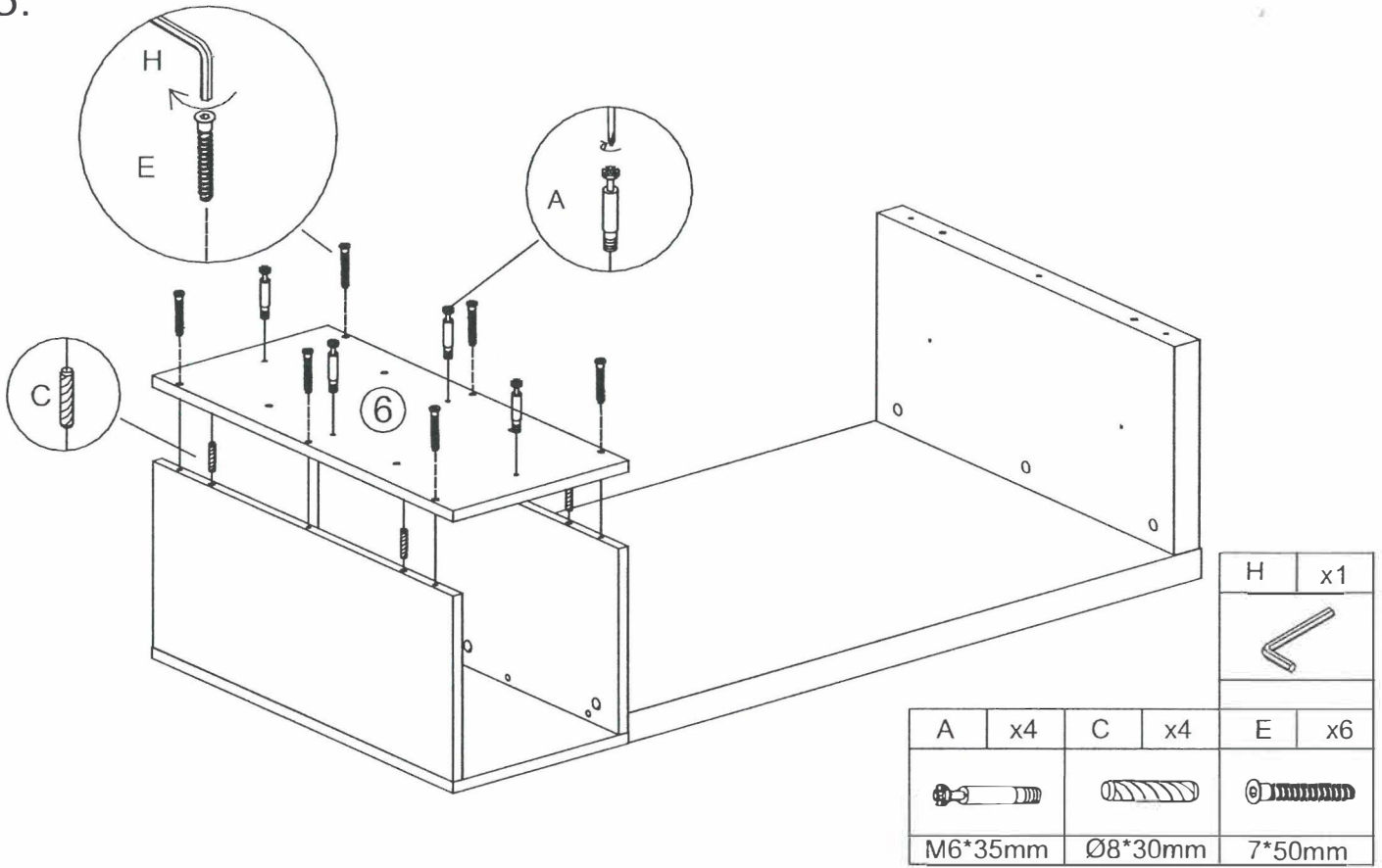
H	x1		
E	x4		
		7*50mm	
A	x3	B	x3
M6*35mm		Ø15mm	
		C	x4
		Ø8*30mm	

2.

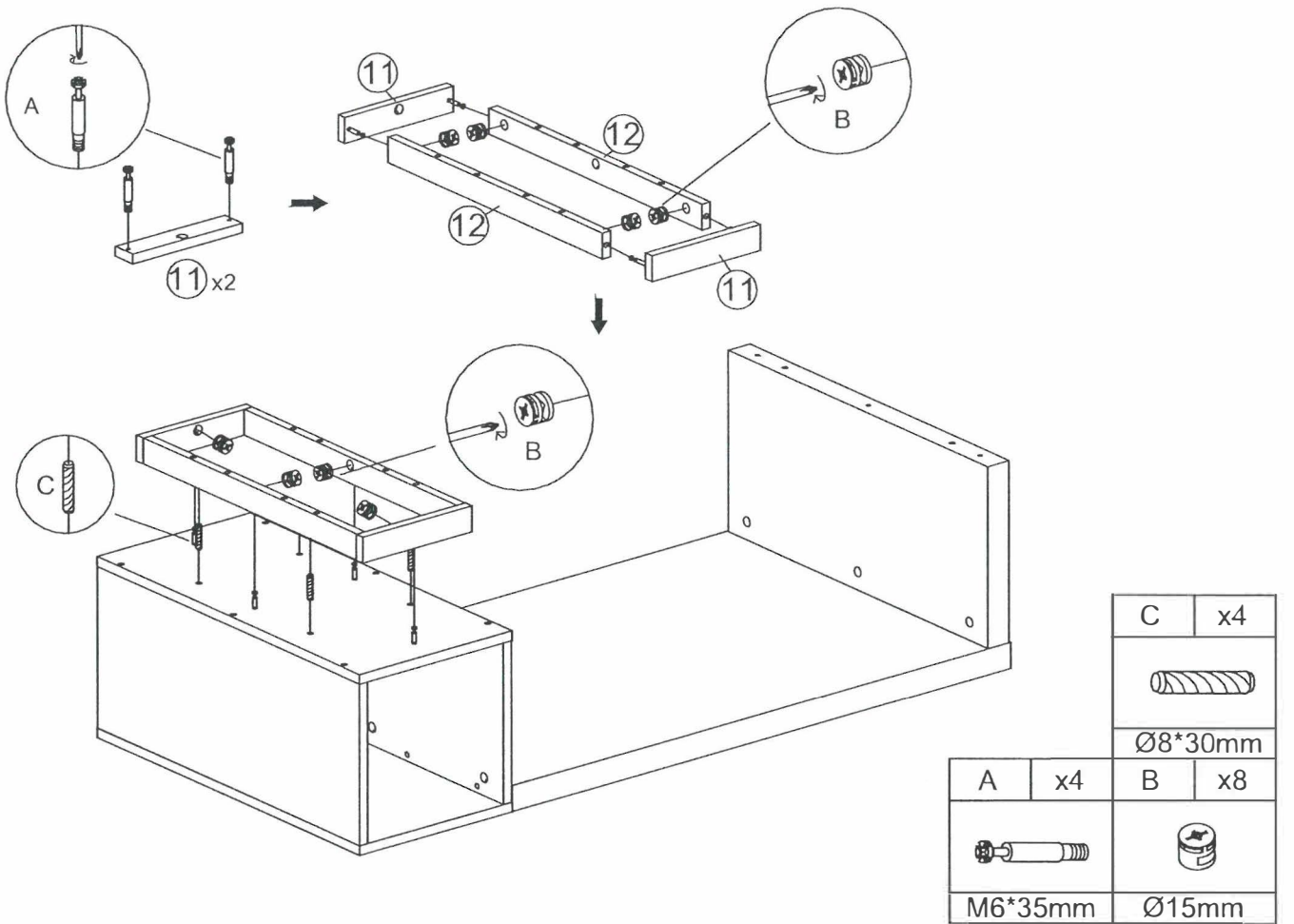


		C	x4
		Ø8*30mm	
A	x6	B	x6
M6*35mm		Ø15mm	

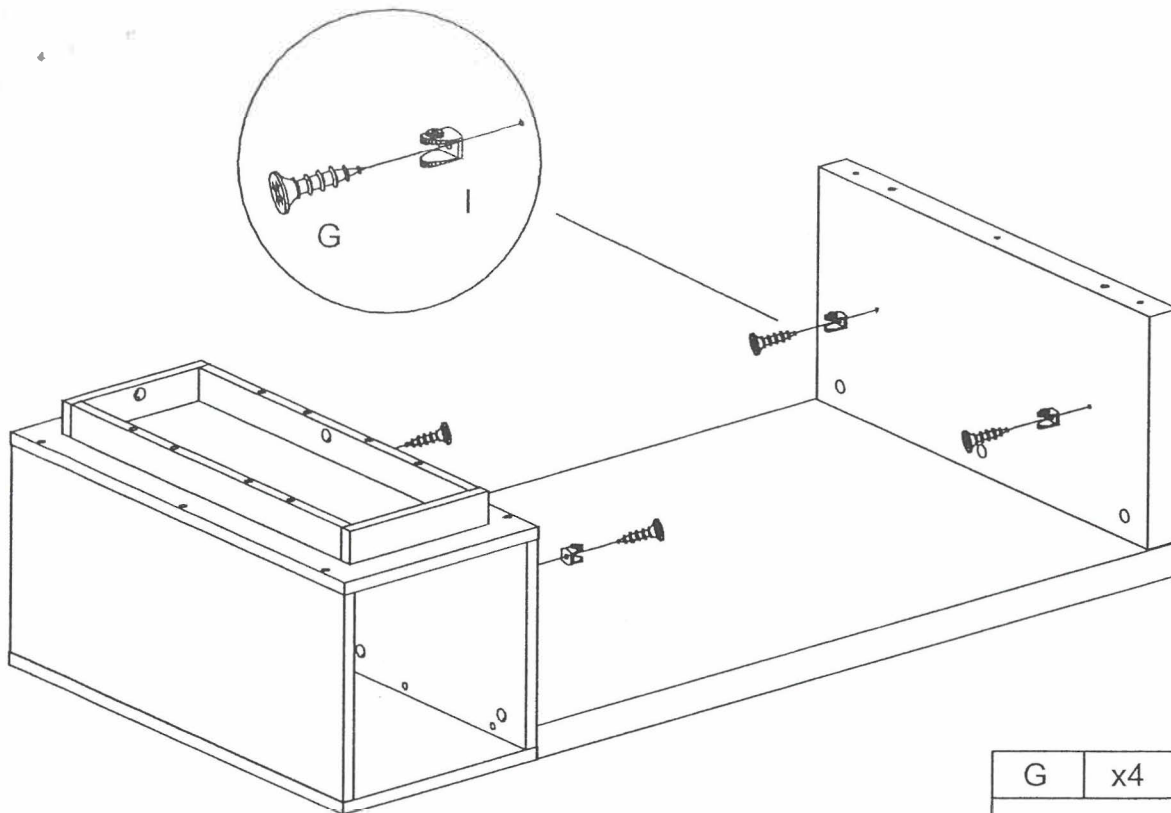
3.





4.

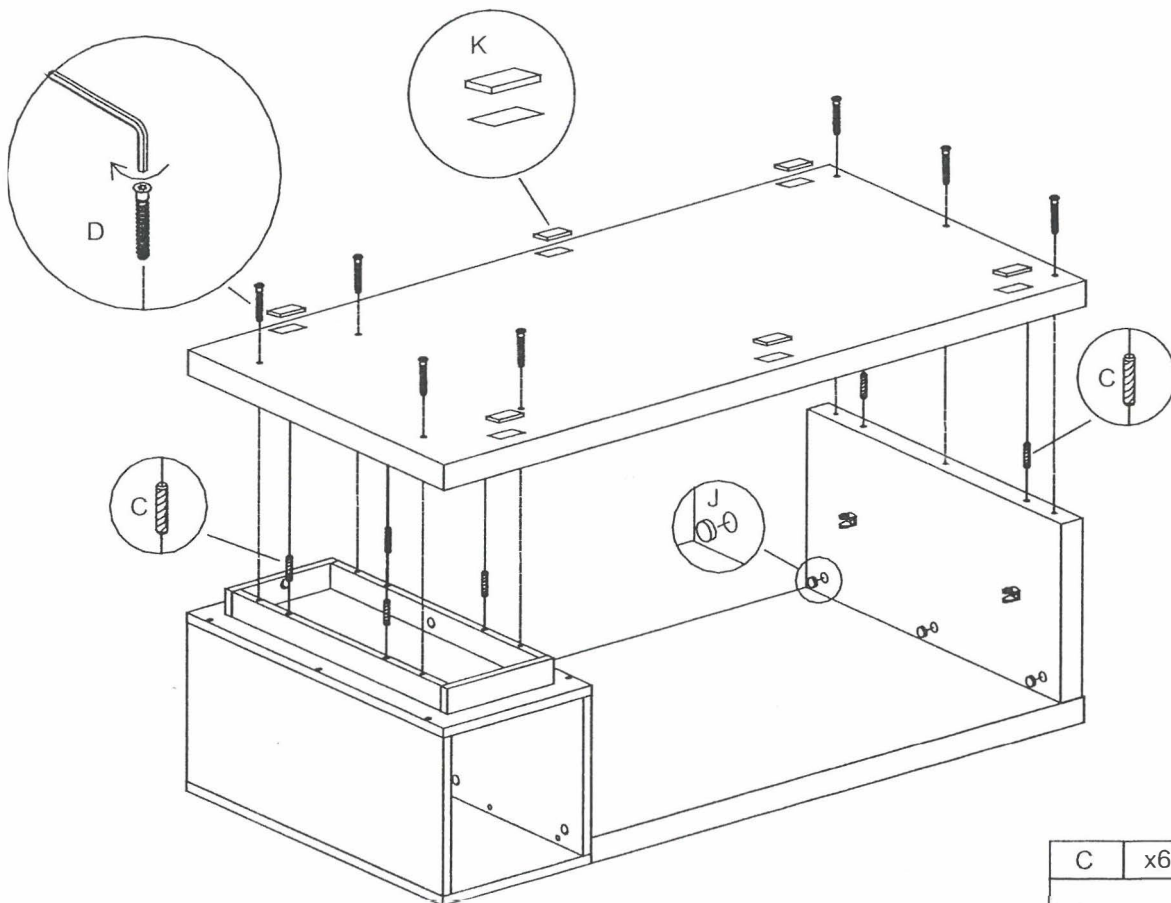





5.





G	x4	I	x4
			

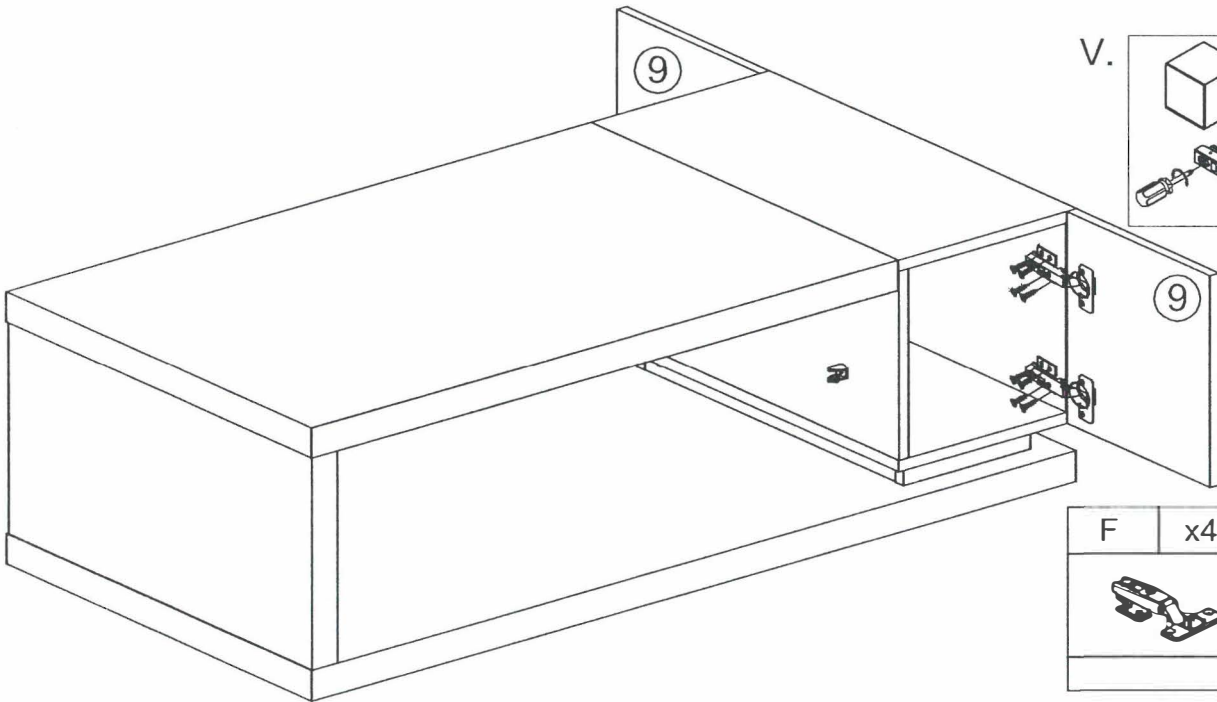
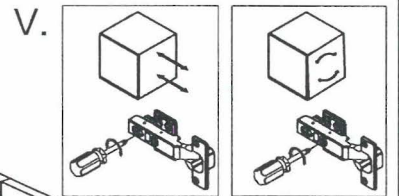
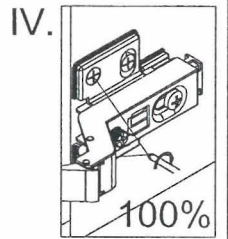
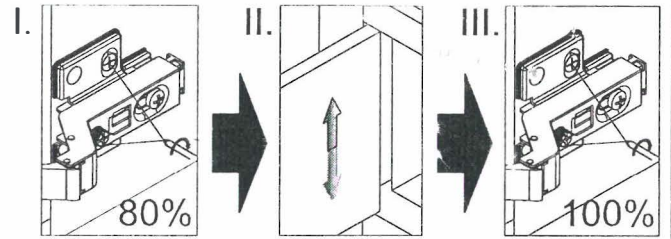
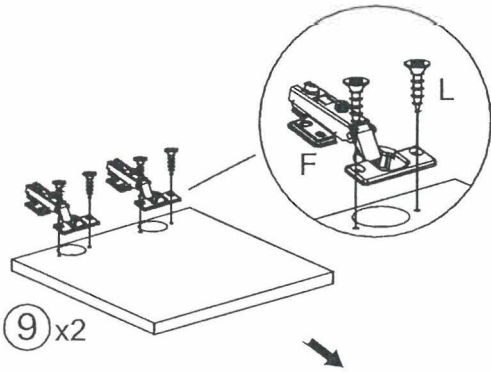
6.





K	x6
	
J	x3
	
H	x1
	

C	x6	D	x7
			
$\text{Ø}8 \times 30\text{mm}$		$7 \times 70\text{mm}$	

7.



F	x4	L	x24
			
M4*15mm			

8.

