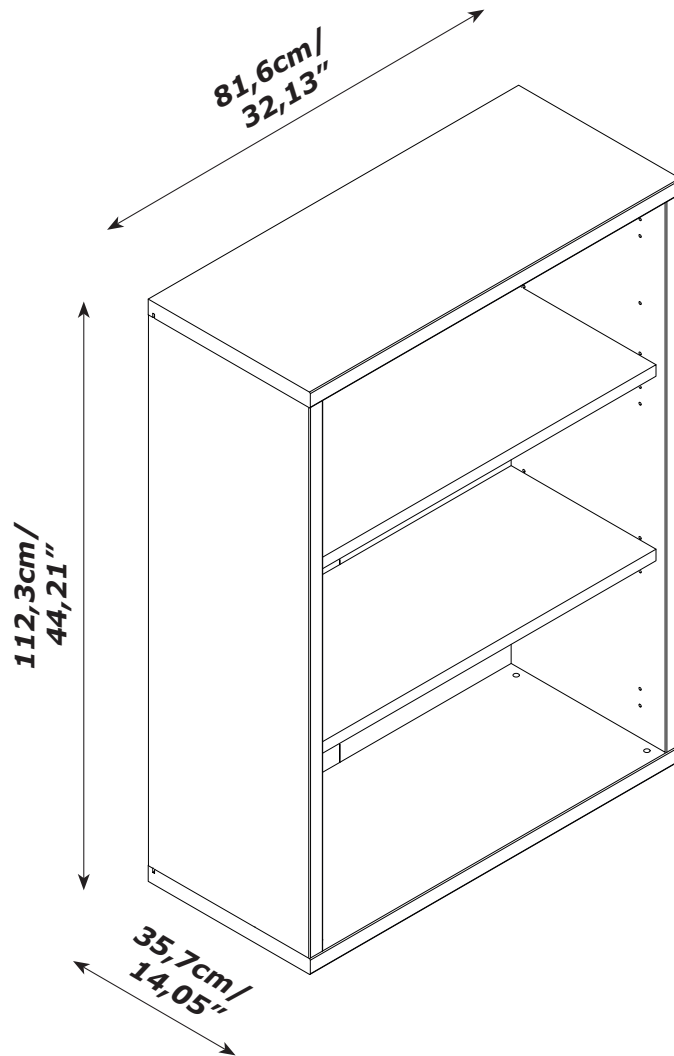
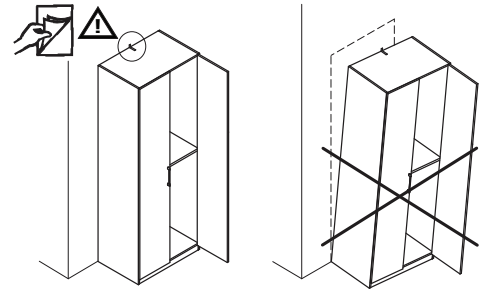
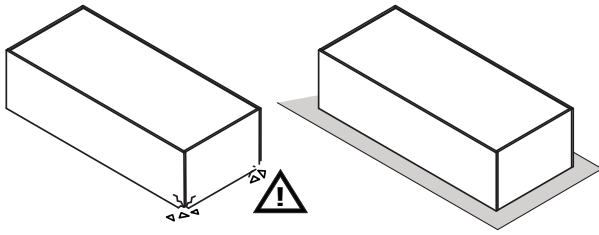
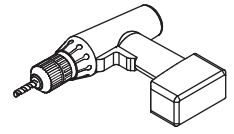
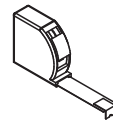
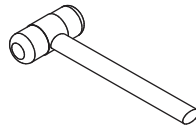
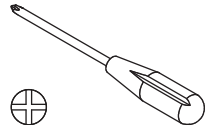
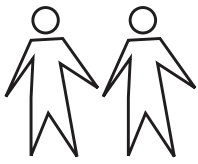


LB4800B80309



QF5810

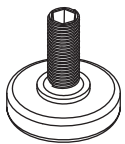


IT IS RECOMMENDED THAT THE ANTI-TIP KIT INCLUDED WITH THIS PRODUCT BE INSTALLED FOR ADDED SAFETY AND STABILITY.

IT IS ESSENTIAL TO USE WALL ANCHORS APPROPRIATE FOR YOUR WALL TYPE (I.E. PLASTER, DRY-WALL, CONCRETE, ETC.), ALONG WITH APPROPRIATE SCREWS, FOR PROPER MOUNTING. THE SCREWS INCLUDED IN THIS ANTI-TIP KIT MAY NOT BE SUITED FOR ALL WALL TYPES. MOUNTING TO WOOD STUDS IS RECOMMENDED.

CONSULT A QUALIFIED PROFESSIONAL OR YOUR LOCAL HARDWARE STORE FOR APPROPRIATE MOUNTING HARDWARE SUITED FOR YOUR SPECIFIC WALL MEDIUM.

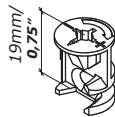
BU4884



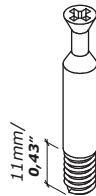
P25
x4



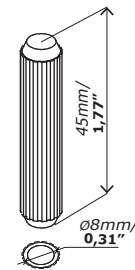
H118
x4



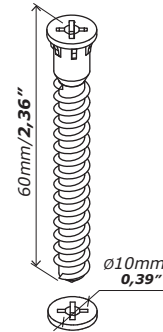
T97
x4



T28
x4



H325
x8



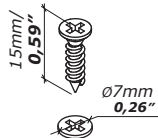
V57
x4



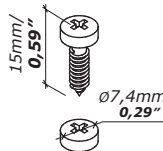
R40
x8



H2
x10



V5
x10



V81
x2



G171
x14



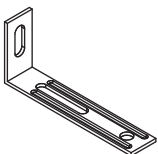
G198
x4



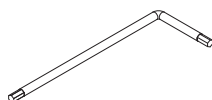
G199
x4



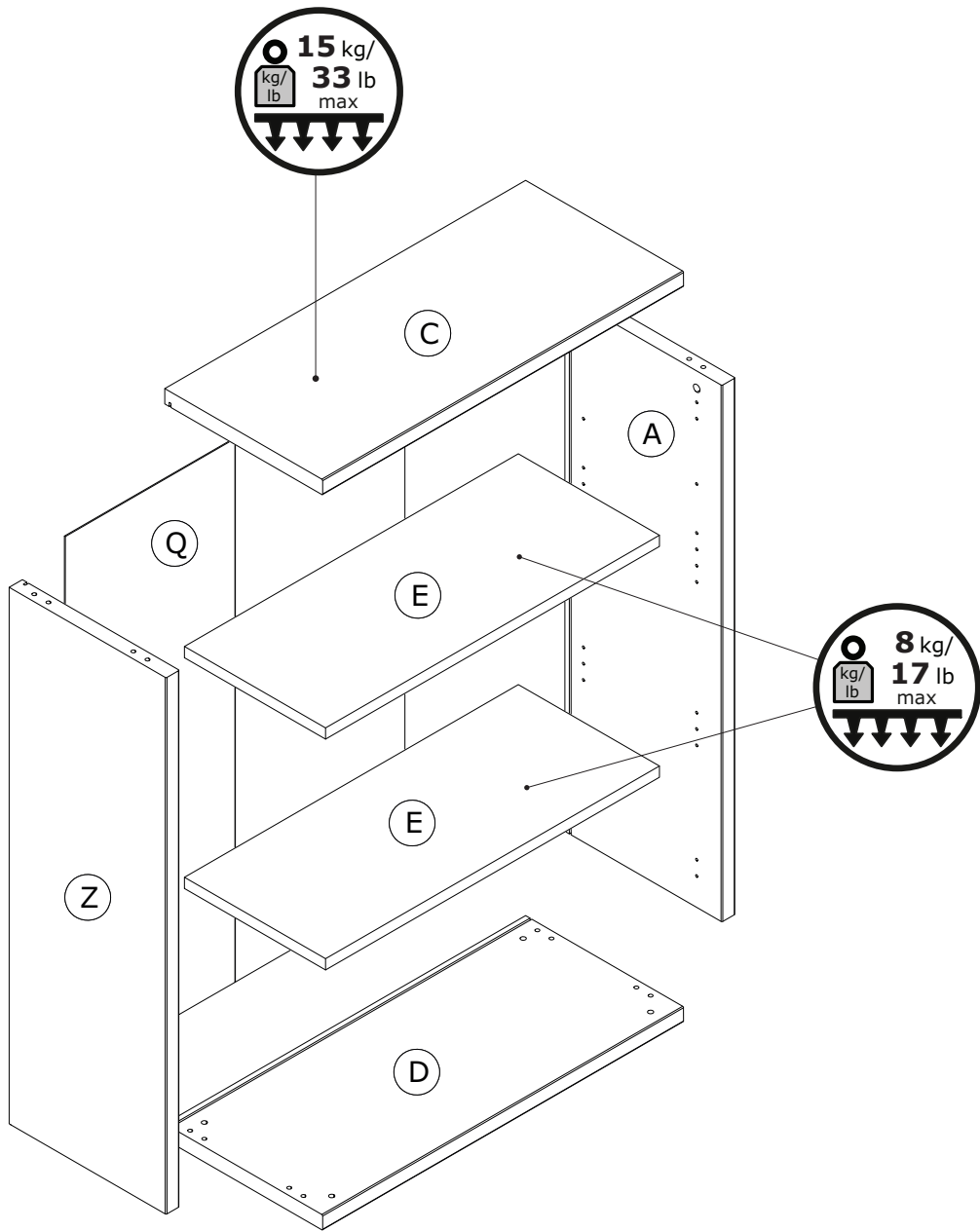
H129
x2

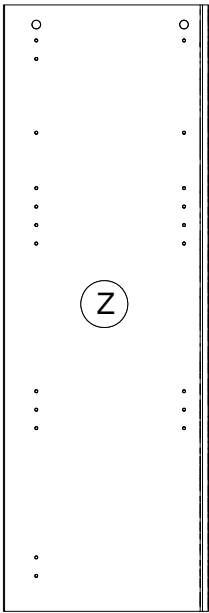


H185
x1

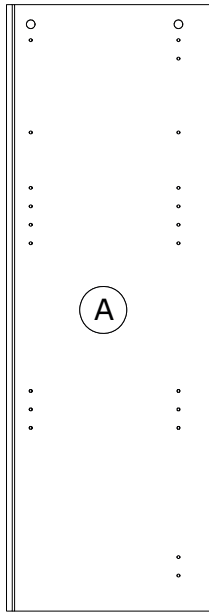


H138
x1

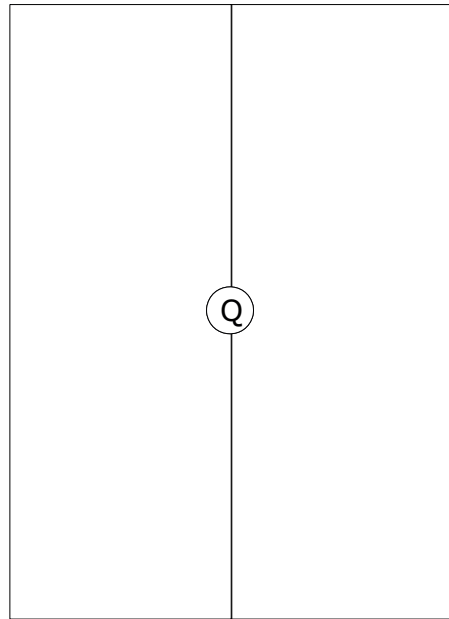




FI9314
1051x355x30mm/
41,37"x13,98"x1,18"

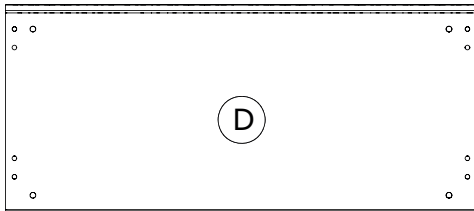


FI9315
1051x355x30mm/
41,37"x13,98"x1,18"

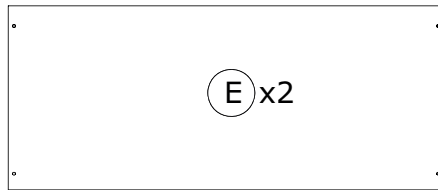


SH3791
1065x768x2mm/
41,93"x30,23"x0,079"

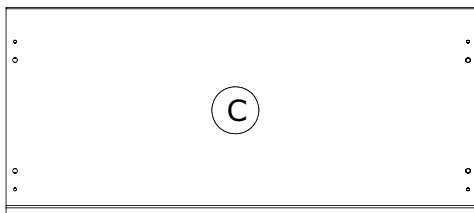
BOX 1/2



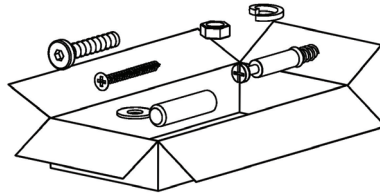
BA2398
816x357x30mm/
32,13"x14,05"x1,18"



PI7561
755x319x22mm/
29,72"x12,56"x0,87"

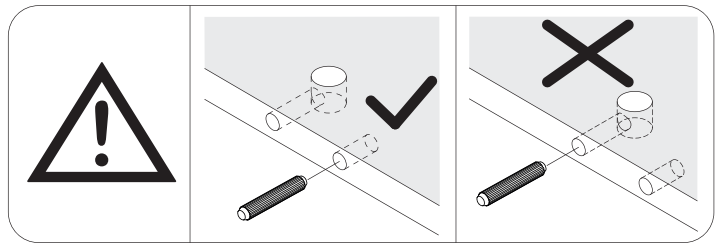
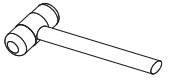
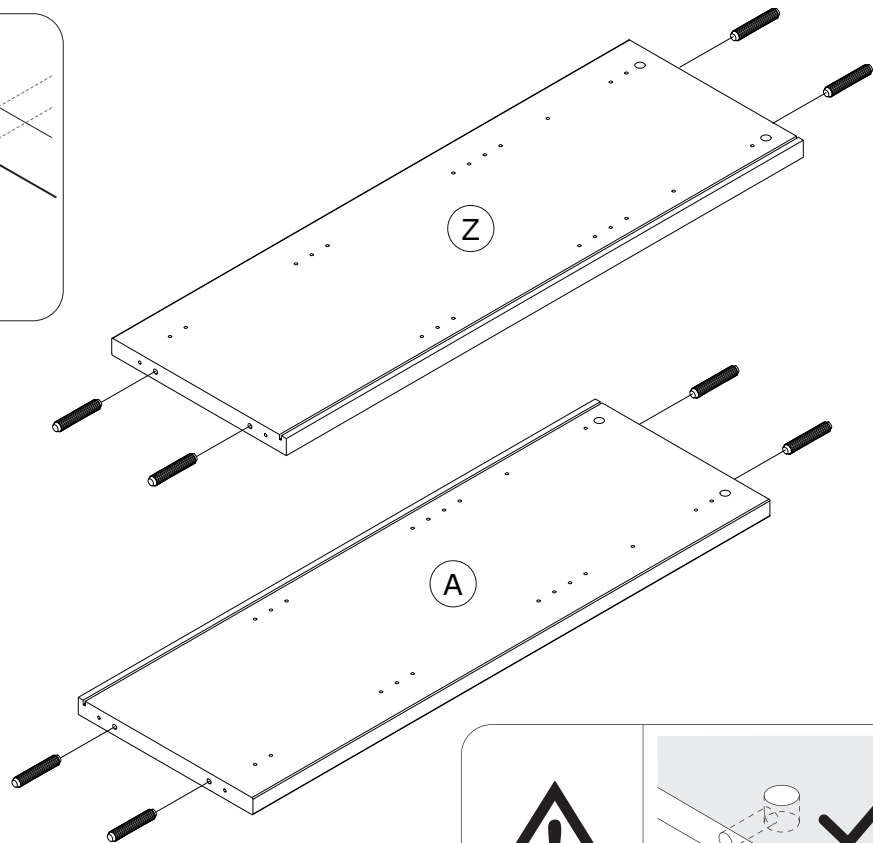
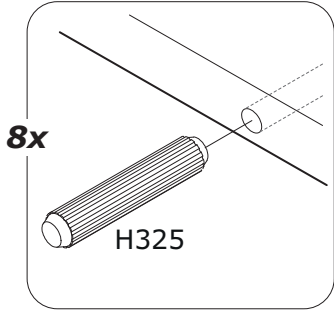


CA3905
816x357x30mm/
32,13"x14,05"x1,18"

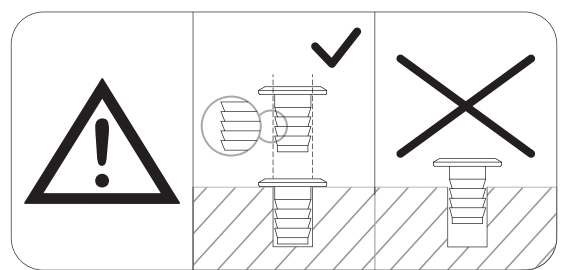
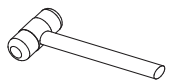
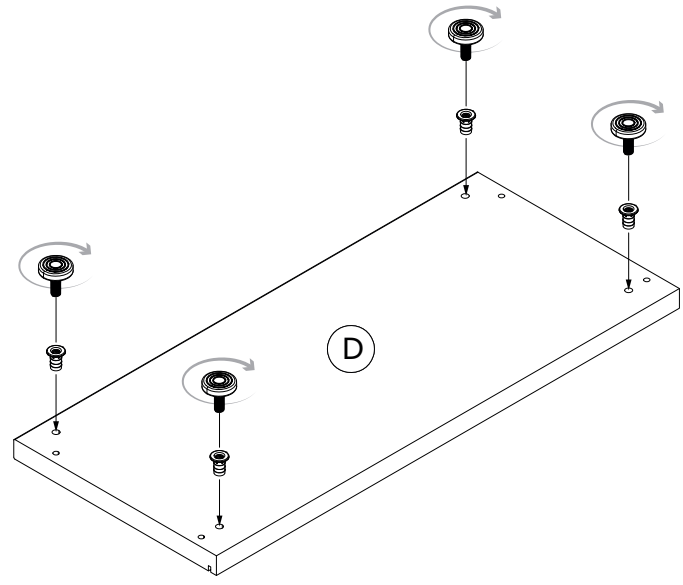
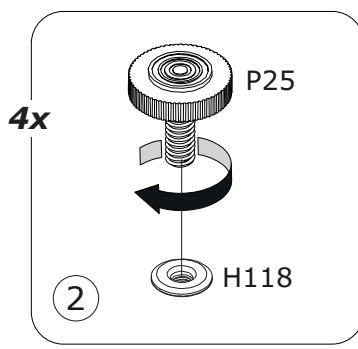
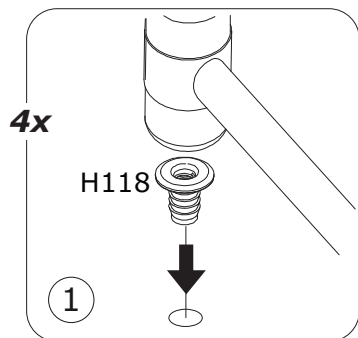


BOX 2/2

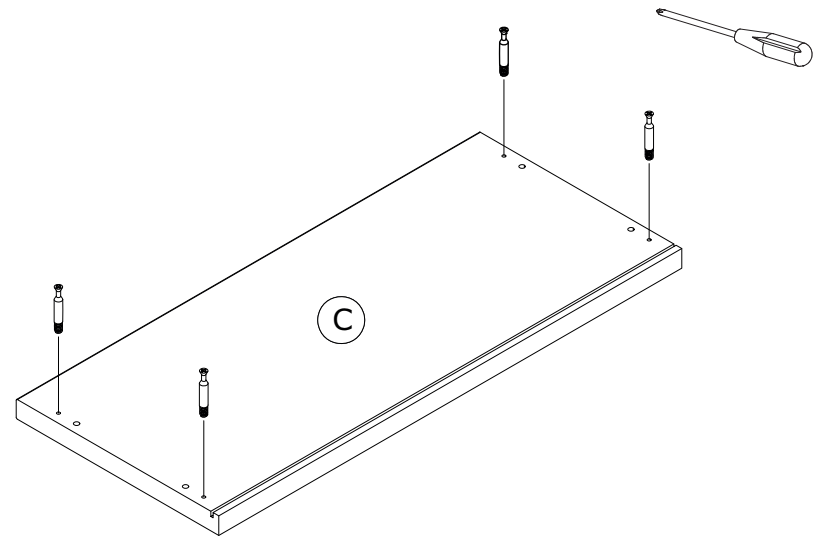
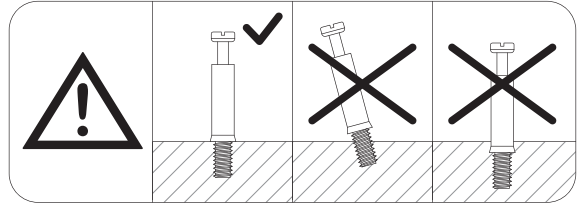
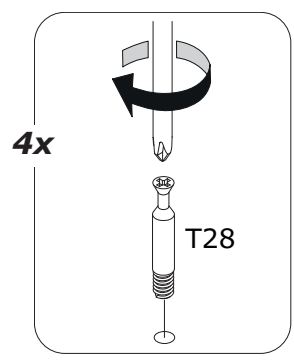
1



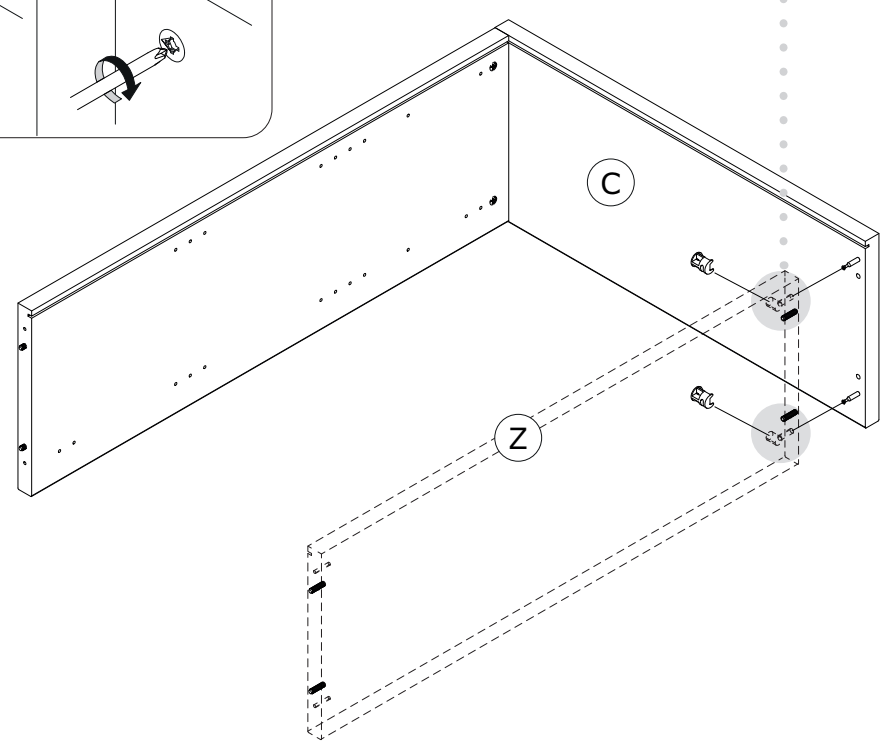
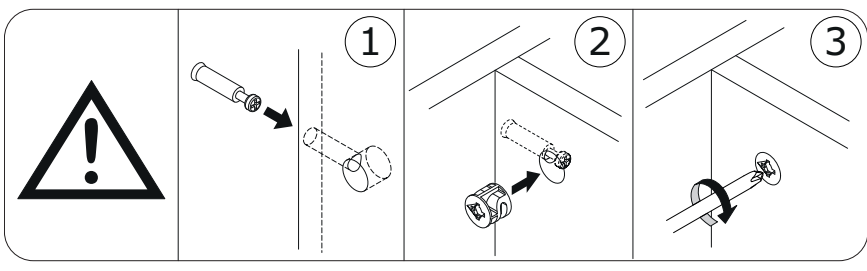
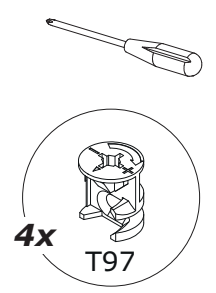
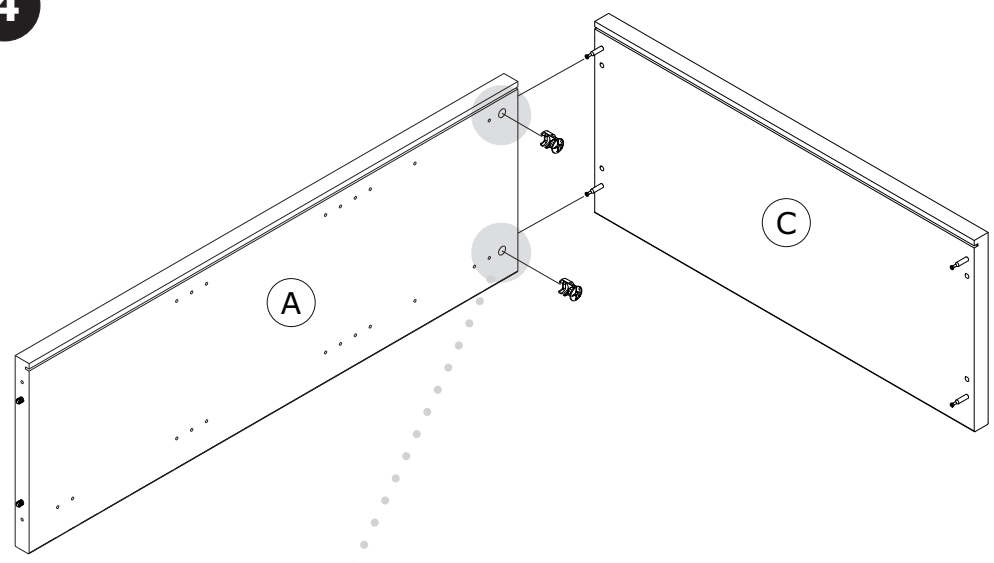
2



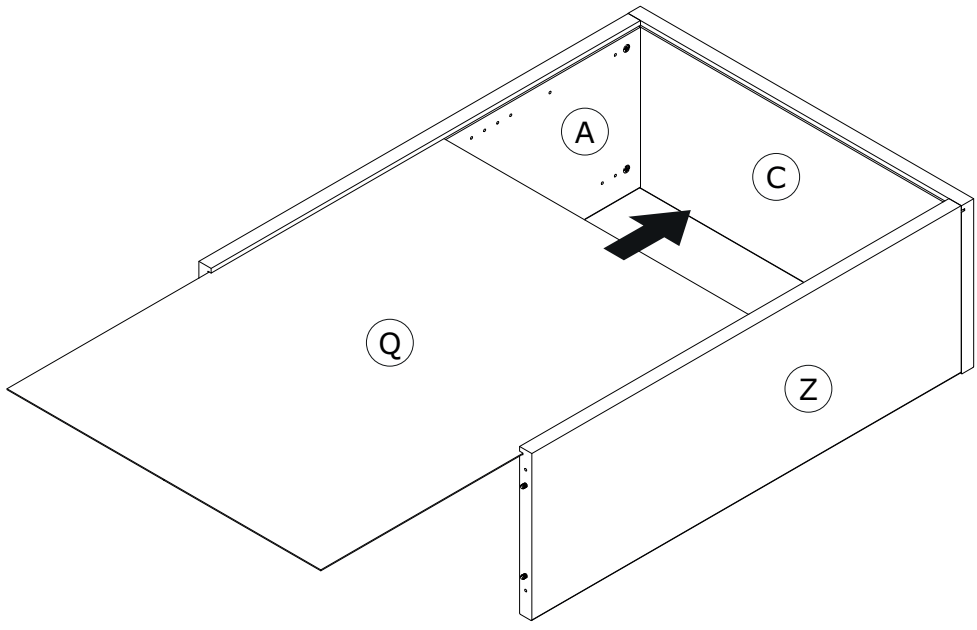
3



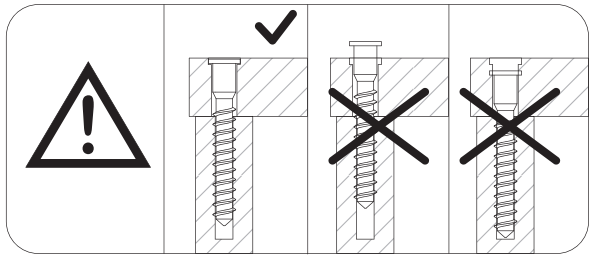
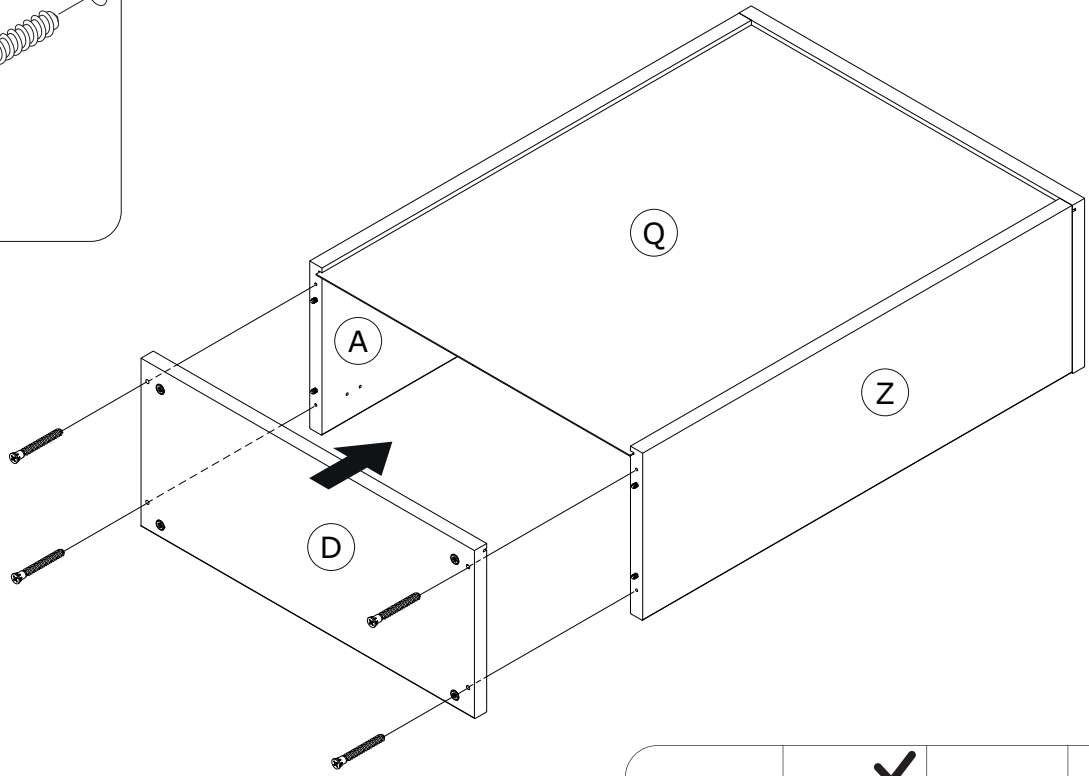
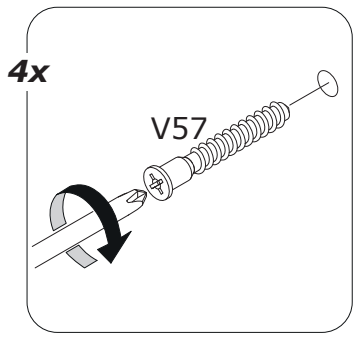
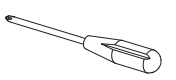
4



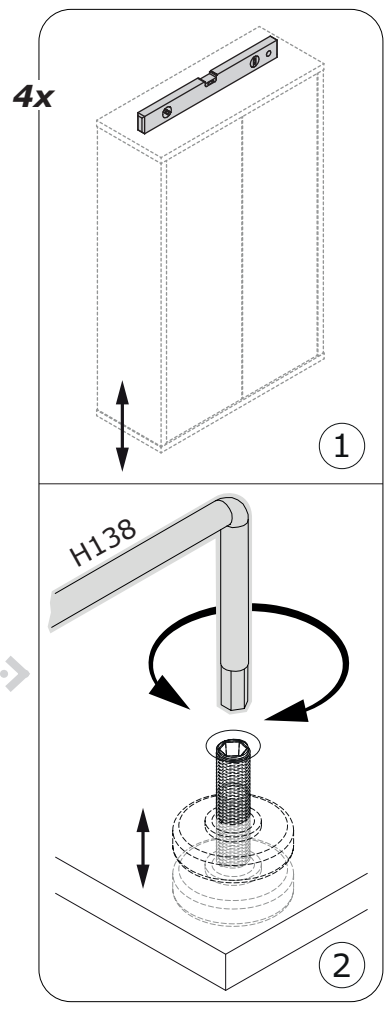
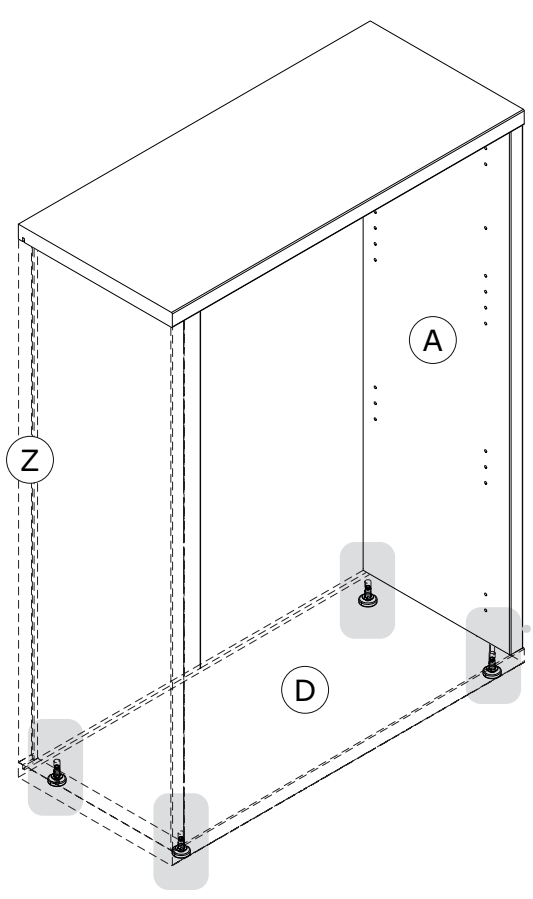
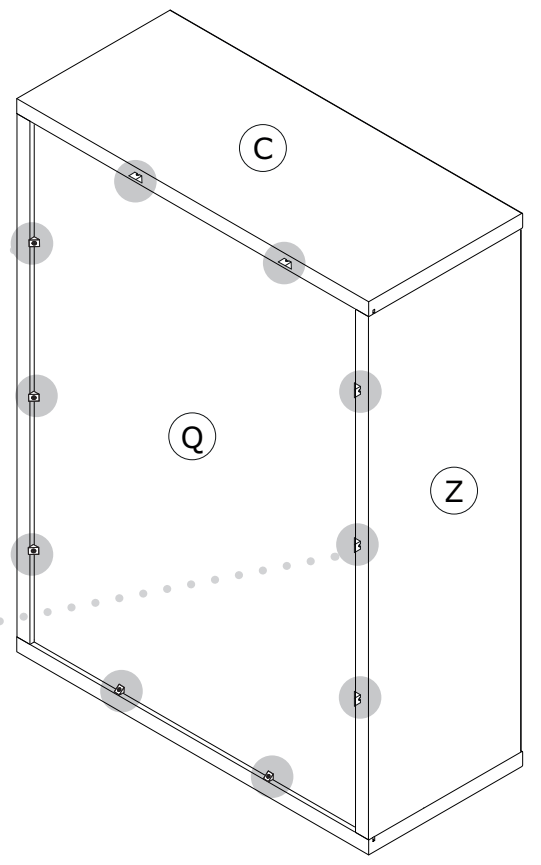
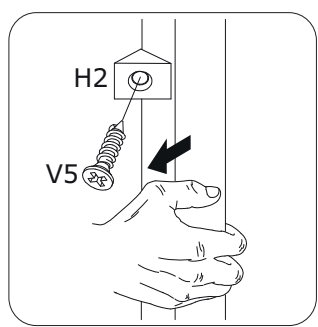
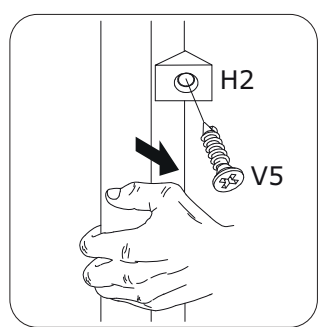
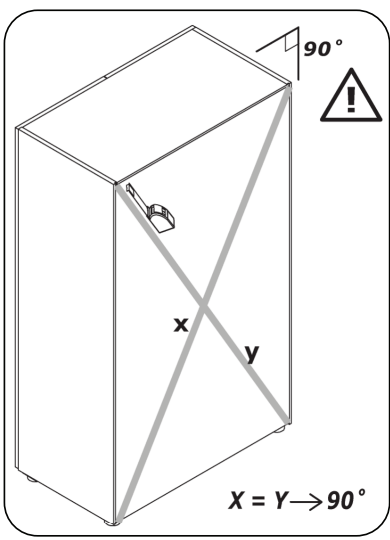
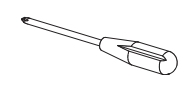
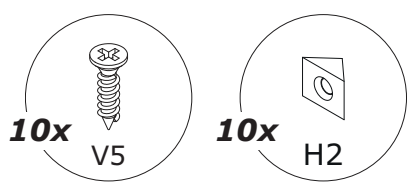
5

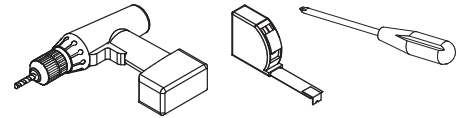


6



7



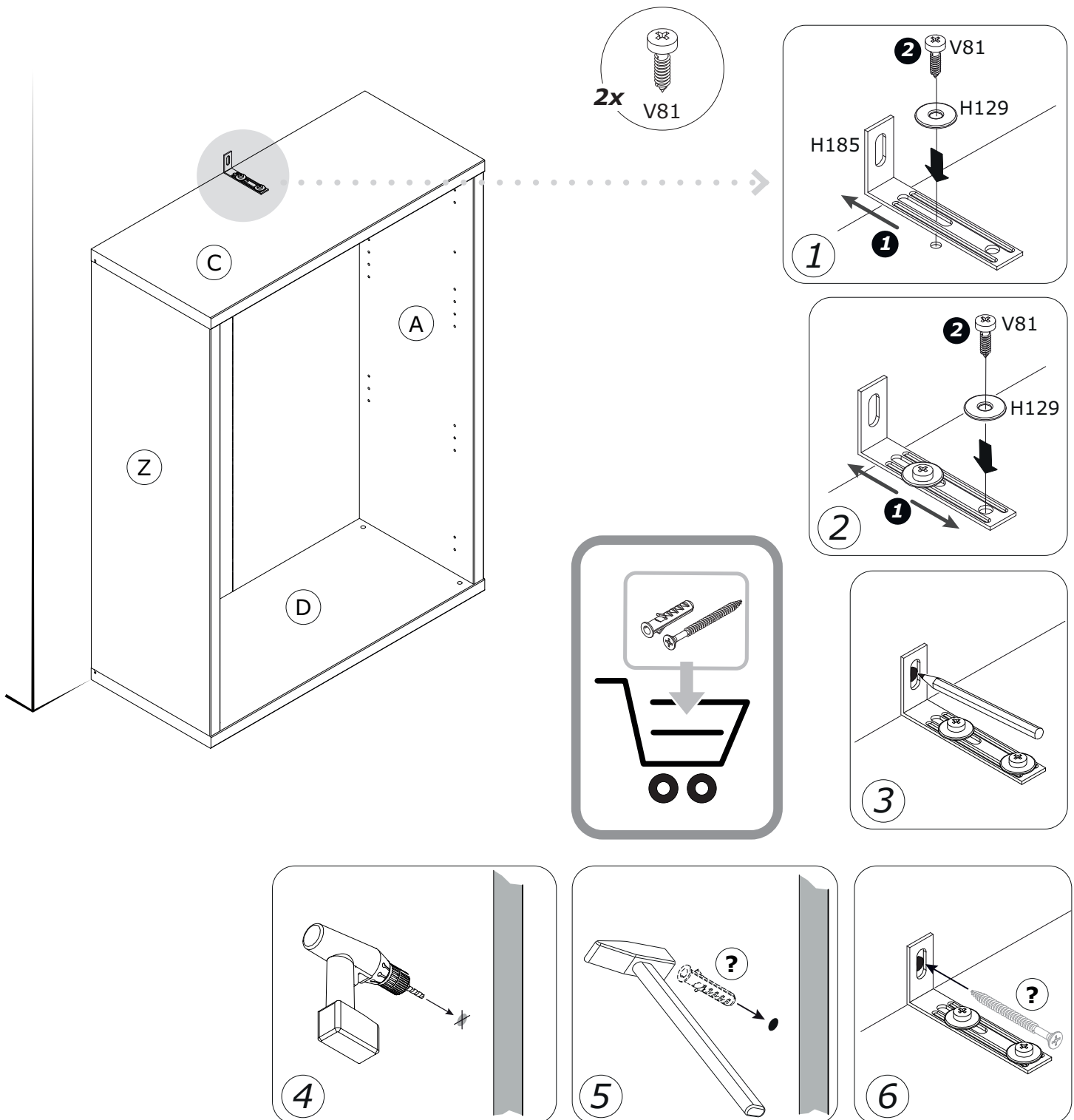


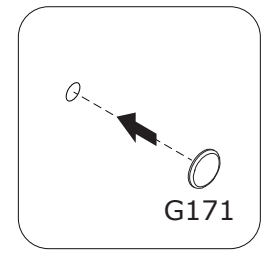
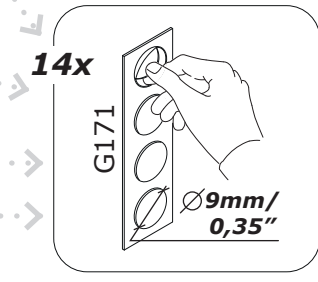
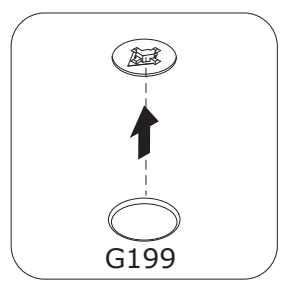
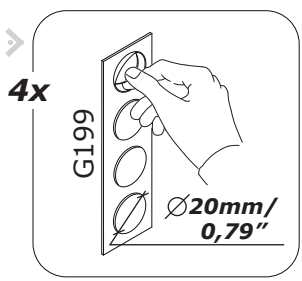
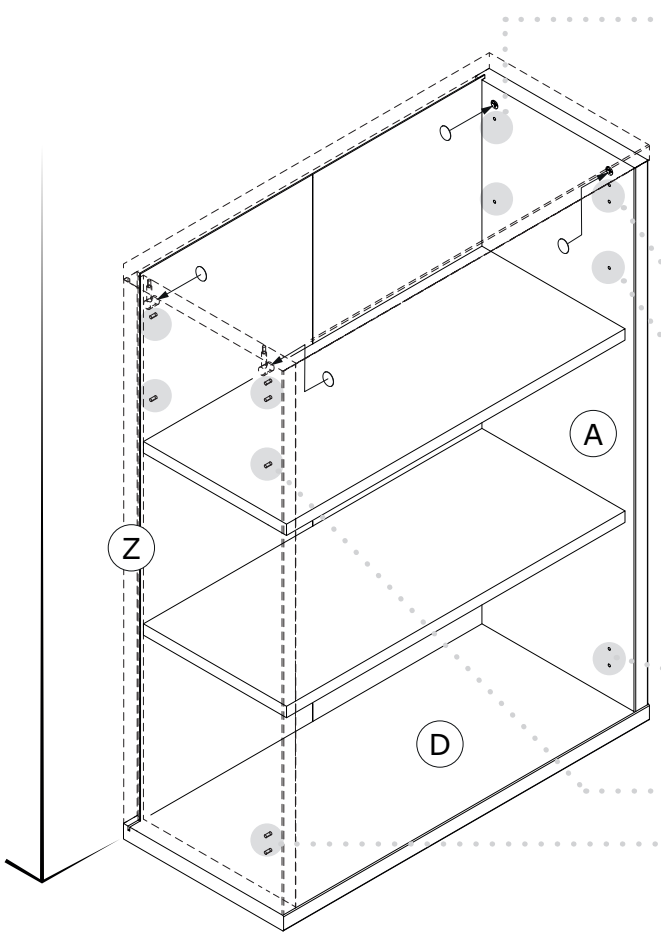
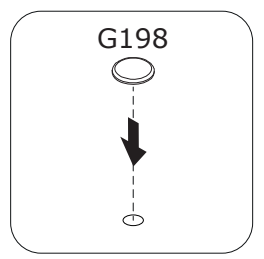
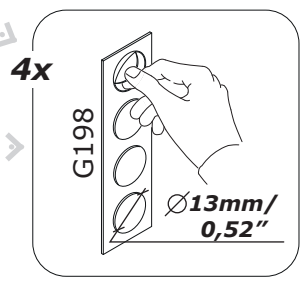
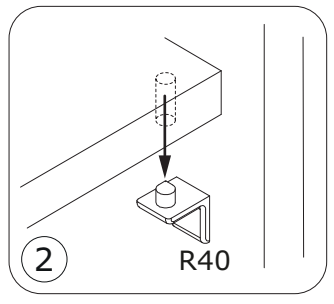
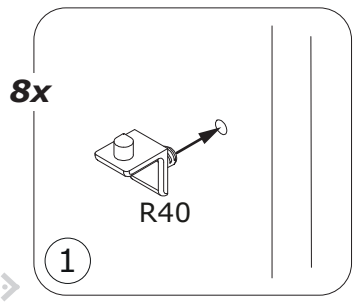
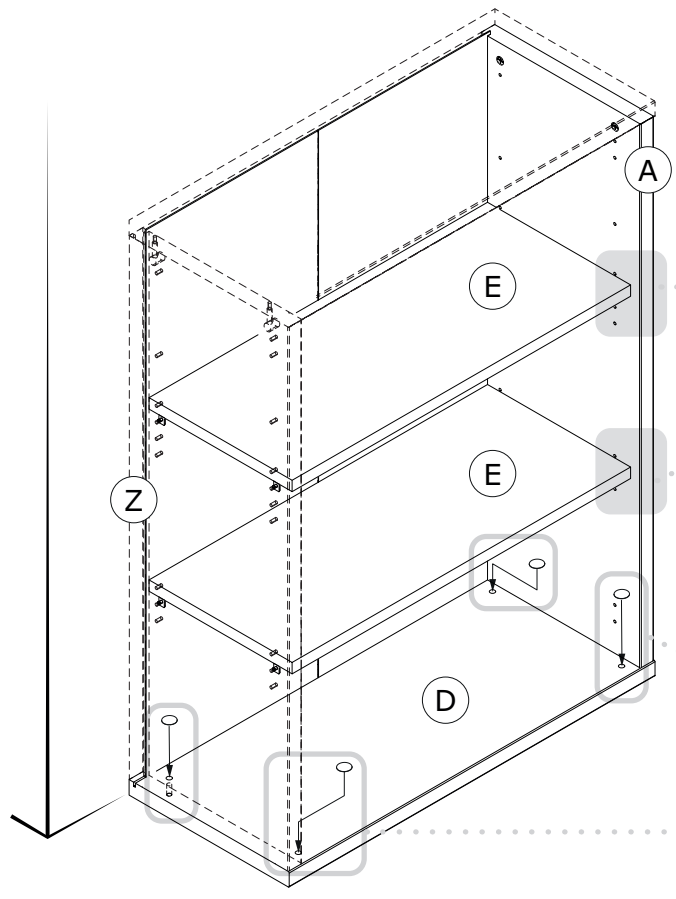
IT IS RECOMMENDED THAT THE ANTI-TIP KIT INCLUDED WITH THIS PRODUCT BE INSTALLED FOR ADDED SAFETY AND STABILITY.

IT IS ESSENTIAL TO USE WALL ANCHORS APPROPRIATE FOR YOUR WALL TYPE (I.E. PLASTER, DRY-WALL, CONCRETE, ETC.), ALONG WITH APPROPRIATE SCREWS, FOR PROPER MOUNTING.

THE SCREWS INCLUDED IN THIS ANTI-TIP KIT MAY NOT BE SUITED FOR ALL WALL TYPES. MOUNTING TO WOOD STUDS IS RECOMMENDED.

CONSULT A QUALIFIED PROFESSIONAL OR YOUR LOCAL HARDWARE STORE FOR APPROPRIATE MOUNTING HARDWARE SUITED FOR YOUR SPECIFIC WALL MEDIUM.

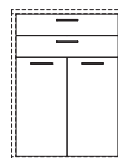
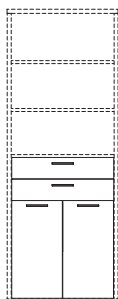
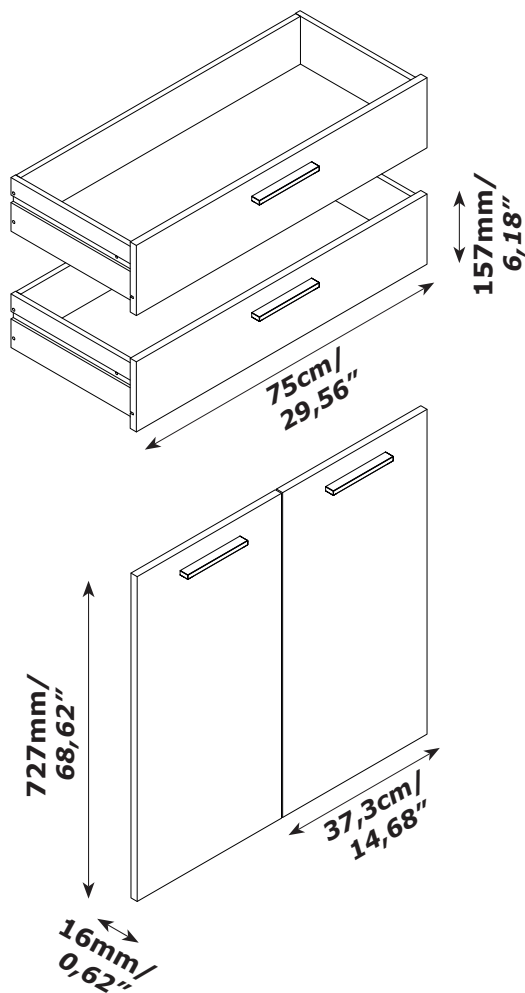




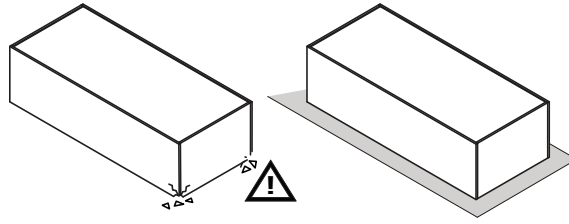
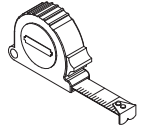
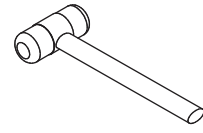
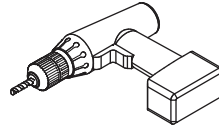
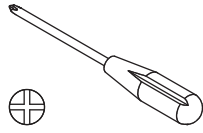
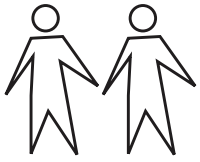
AN4868B80305



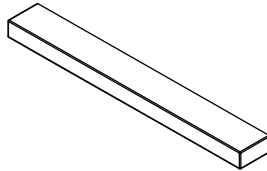
MIX
Wood from
responsible sources
FSC® C011298



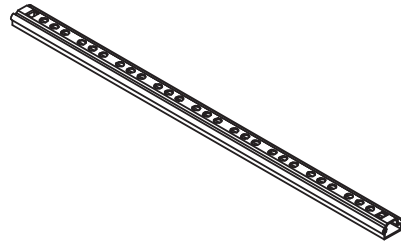
QF5961



BU5083

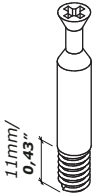


M203
x4

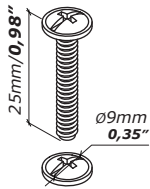


A79
x4

BU4890



T28
x4



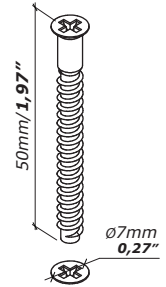
V137
x8



T78
x4



G171
x4



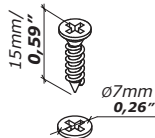
V130
x8



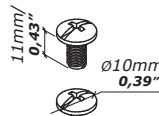
G161
x4



H54
x8



V5
x8

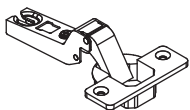


V38
x4

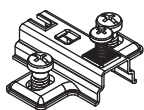


H113
x8

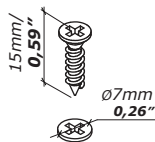
BU5121



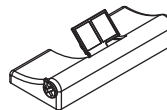
C55
x4



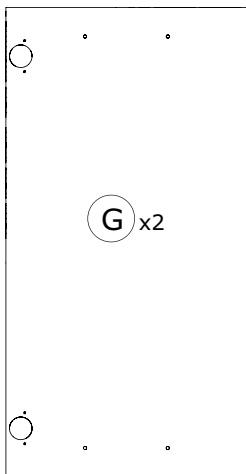
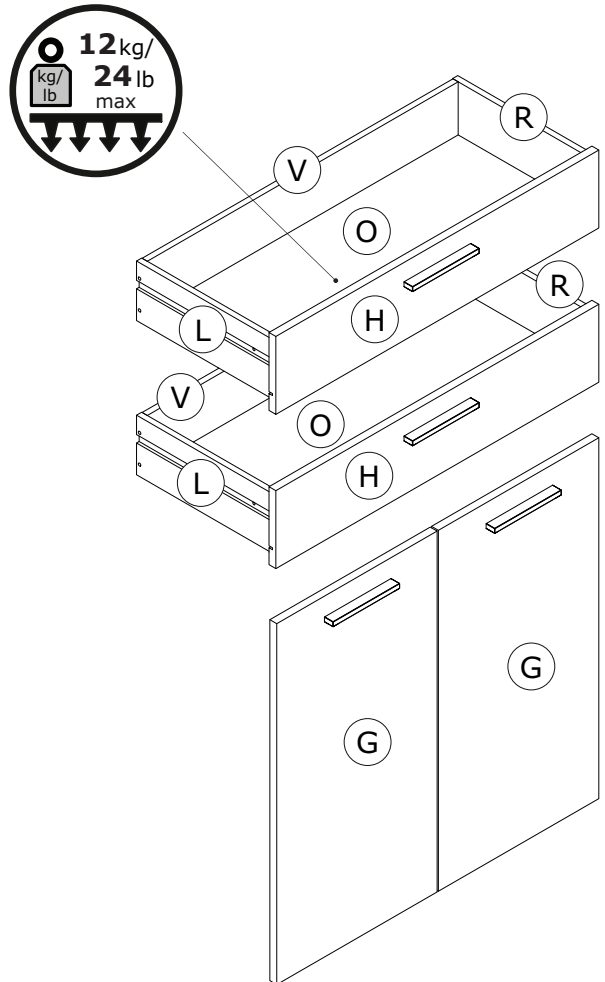
B23
x4



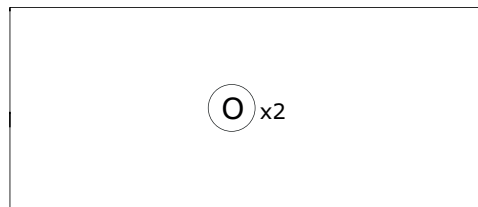
V5
x8



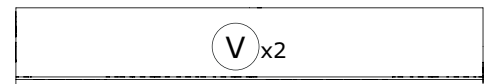
H311
x2



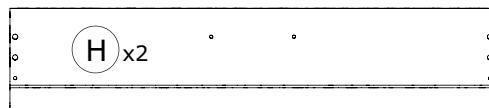
AN3278
727x373x16mm/
28,62"x14,68"x0,62"



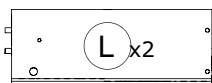
SH3852
734x311x2mm/28,89"x12,24"x0,07"



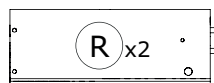
OS0435
723x120x12mm/28,46"x4,72"x0,47"



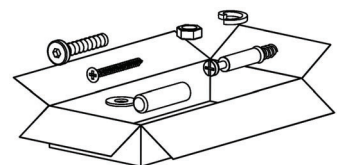
CS4946
751x157x16mm/
29,56"x6,18"x0,62"



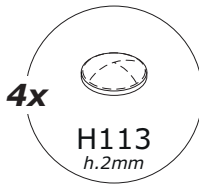
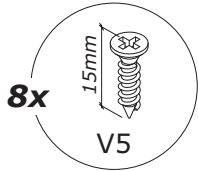
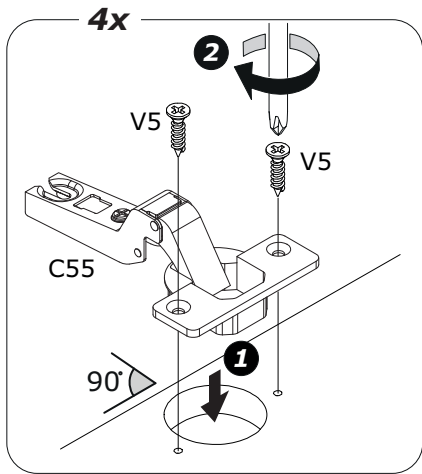
OS0434
310x120x12mm/
12,20"x4,72"x0,47"



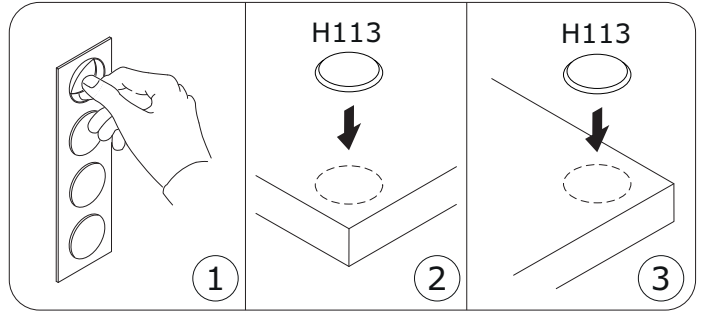
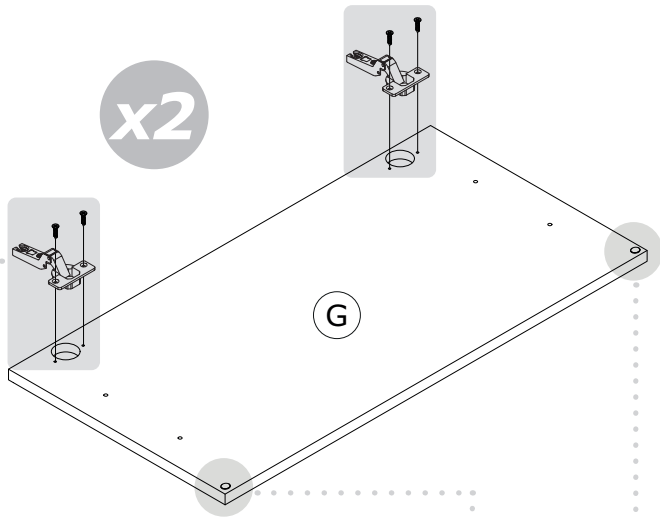
OS0433
310x120x12mm/
12,20"x4,72"x0,47"



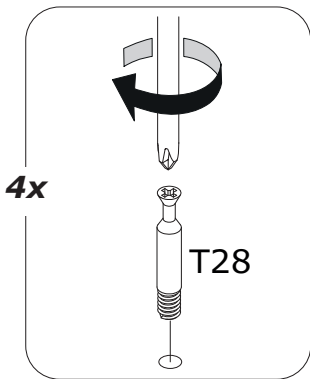
1



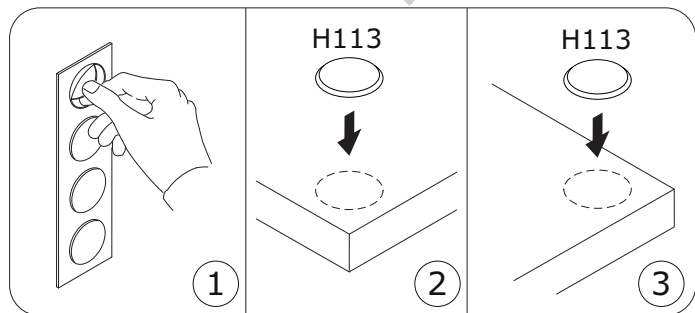
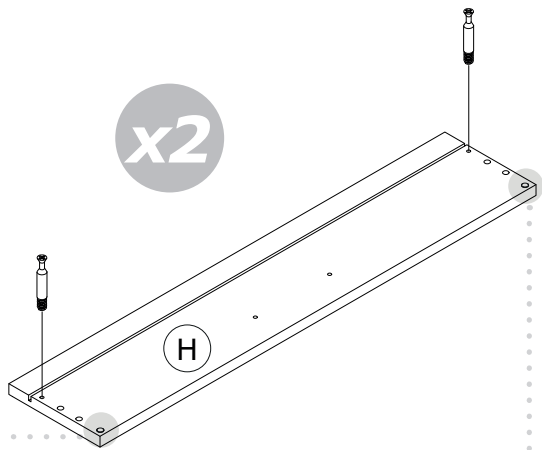
x2



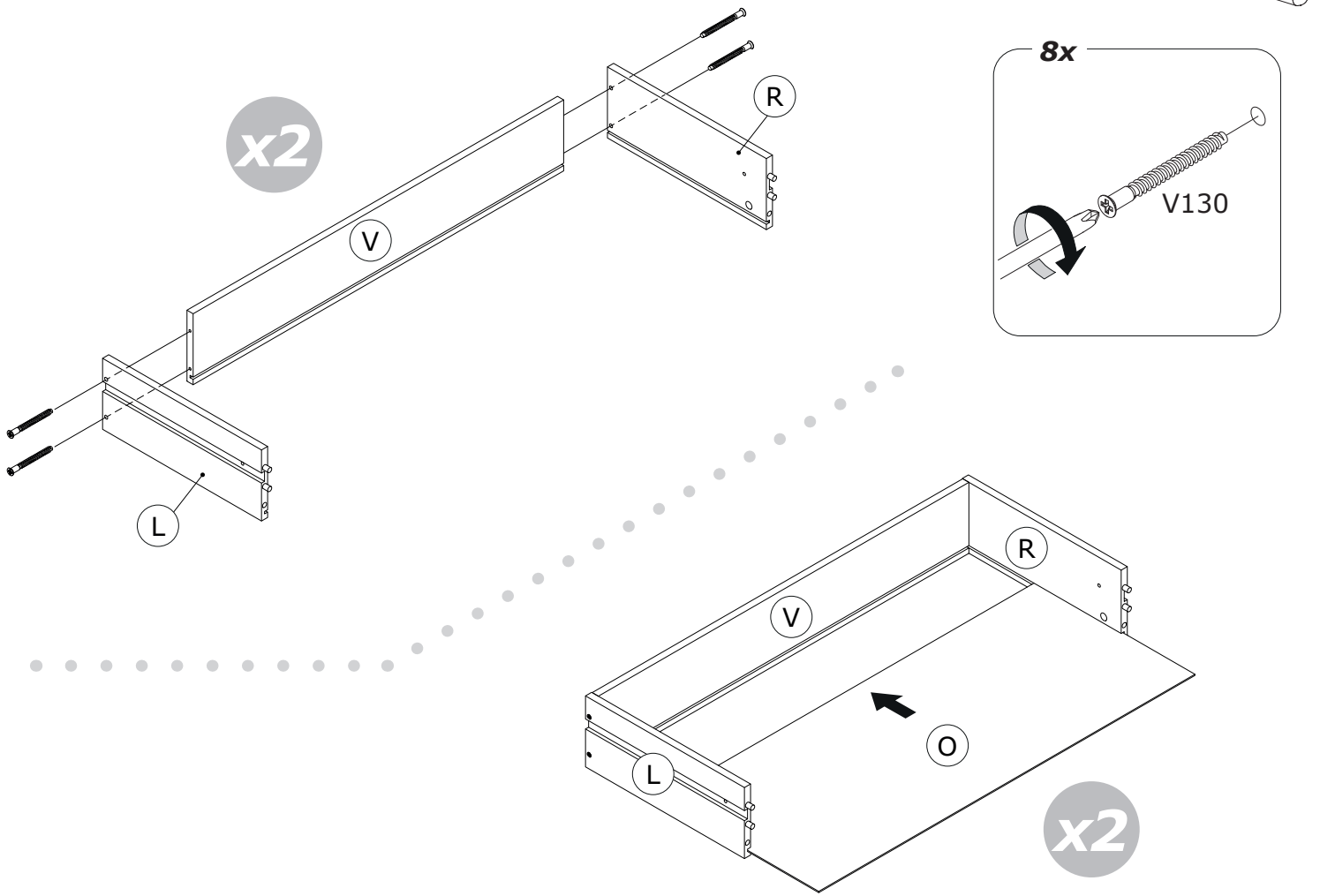
2



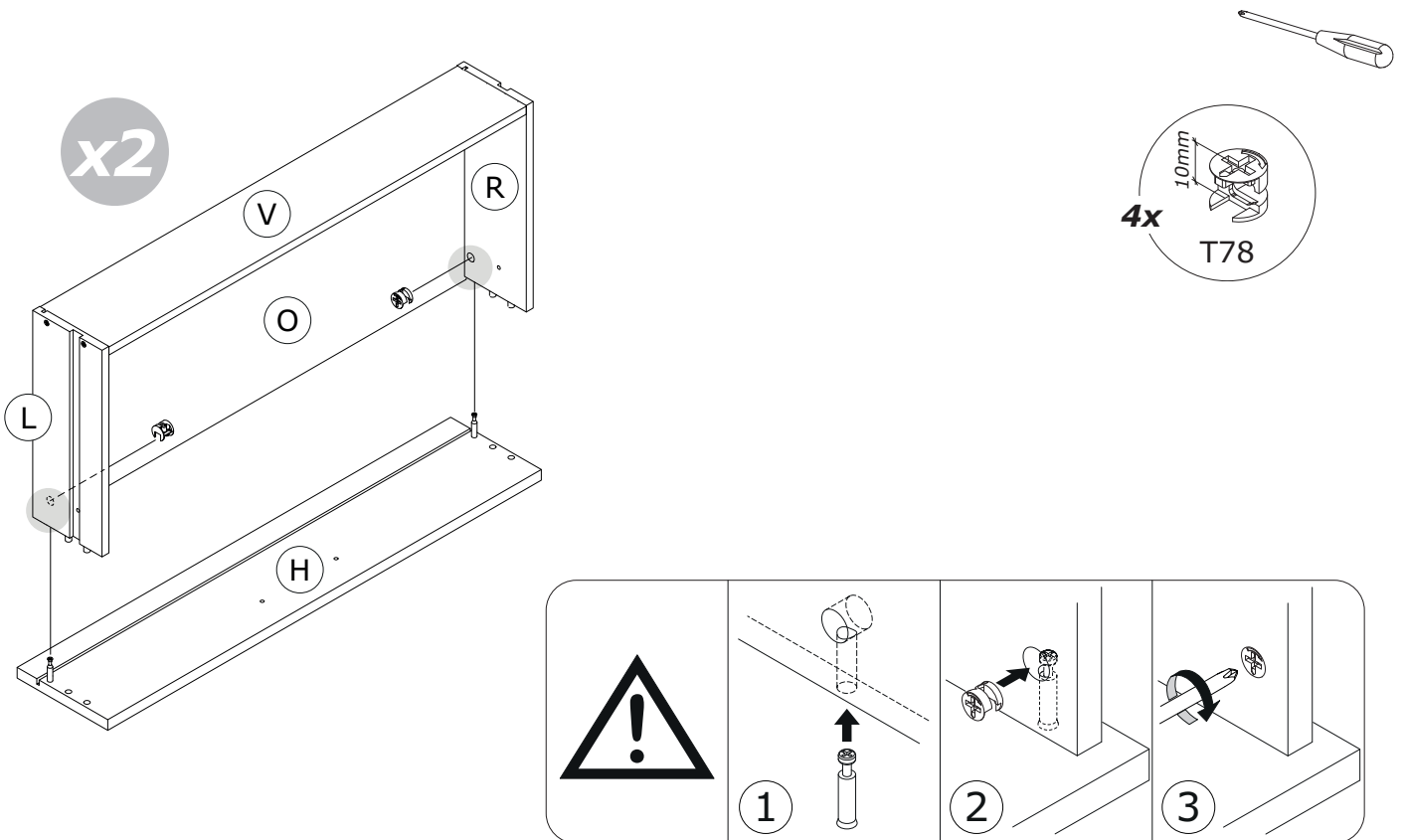
x2



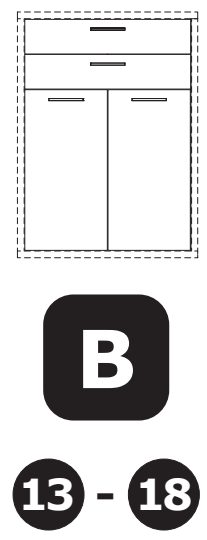
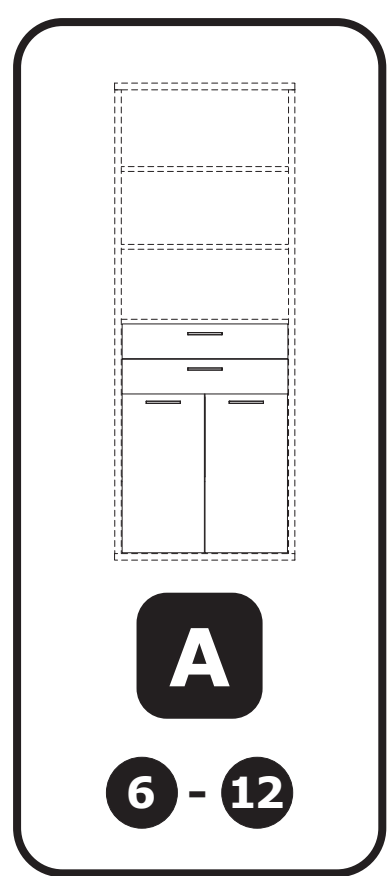
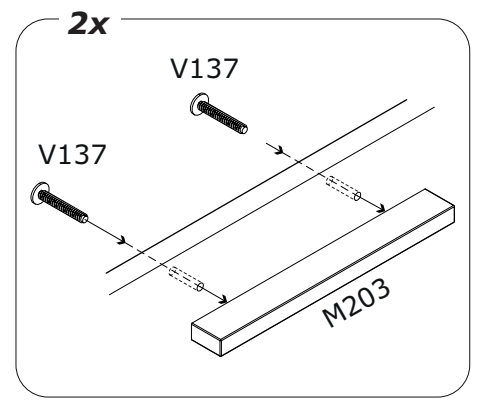
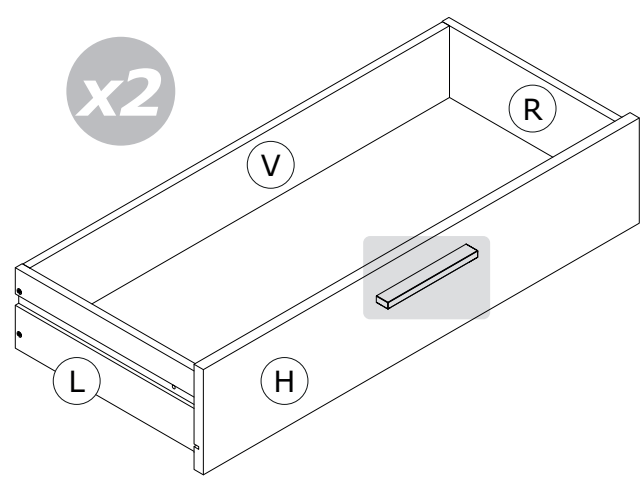
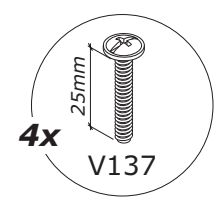
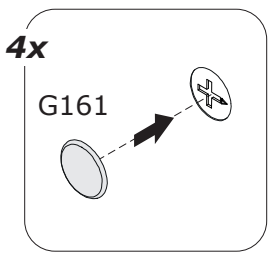
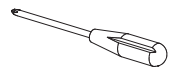
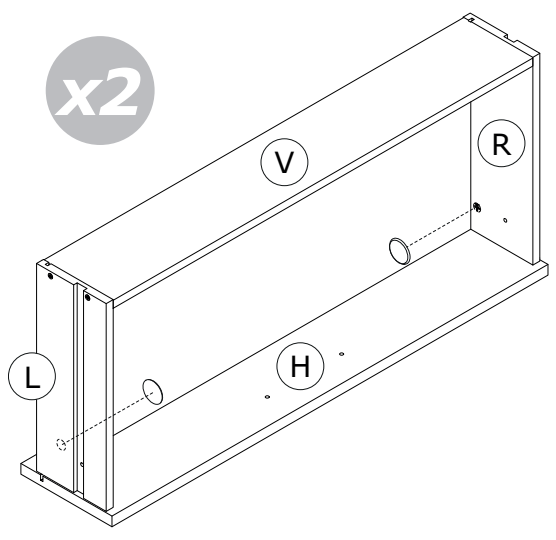
3



4

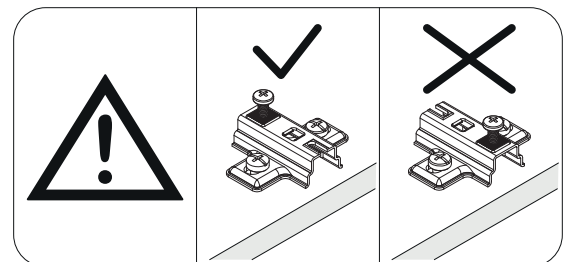
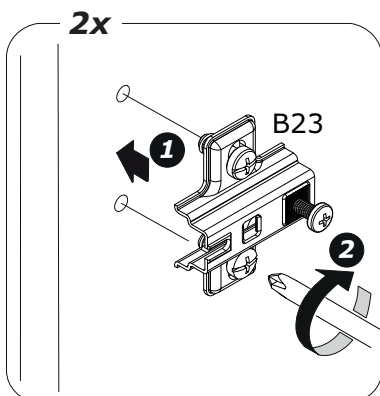
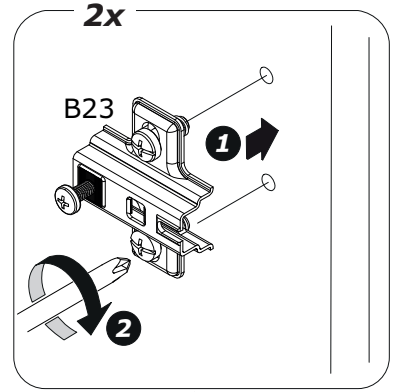
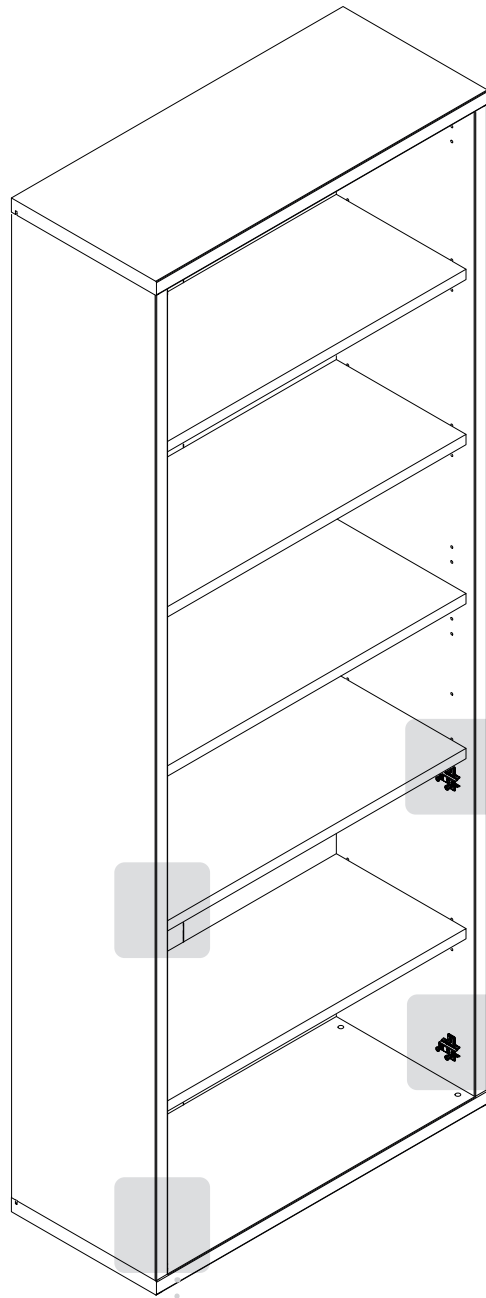
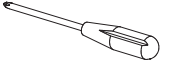


5



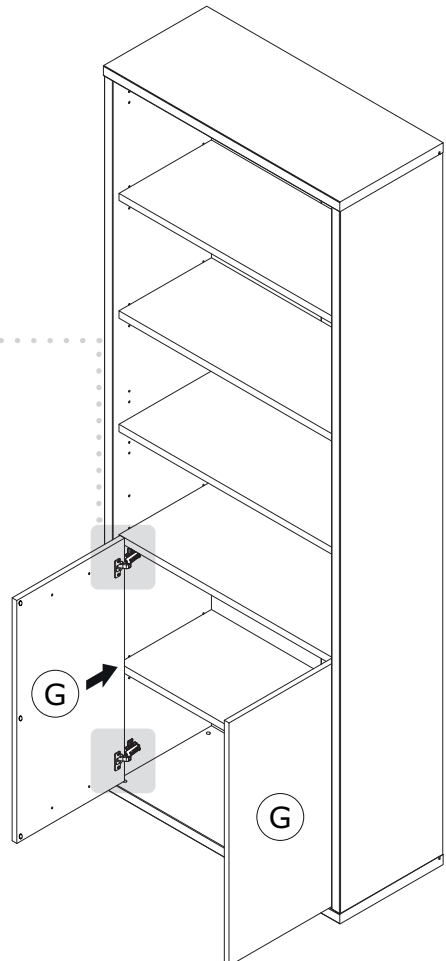
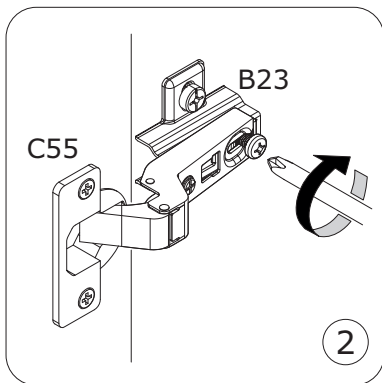
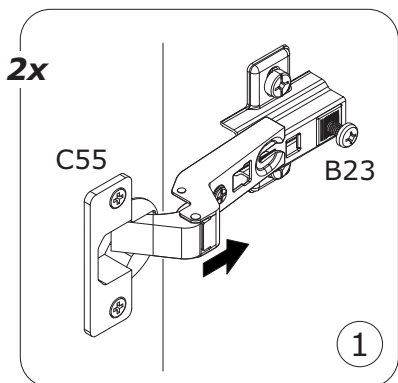
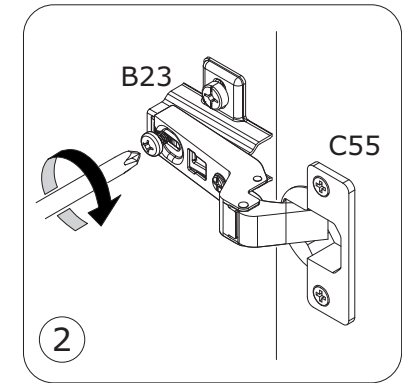
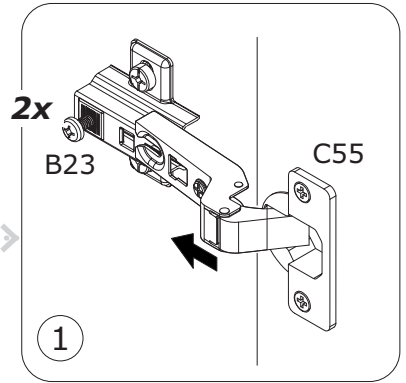
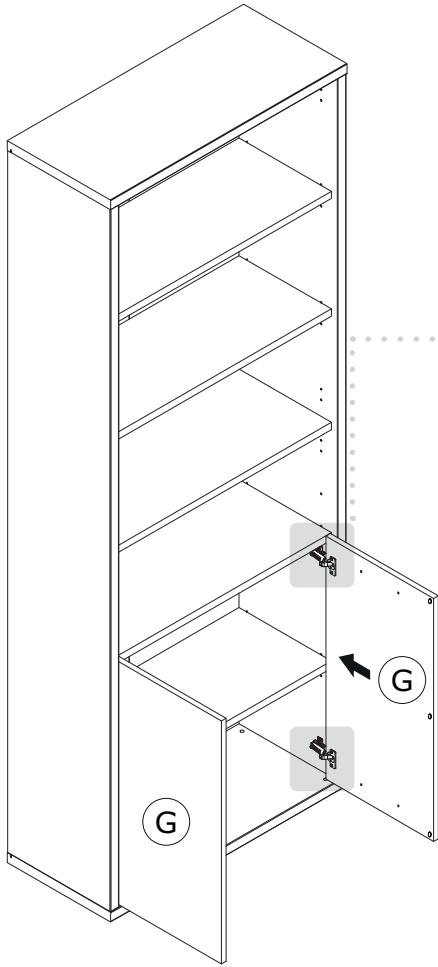
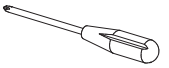
6

A

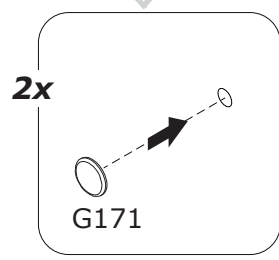
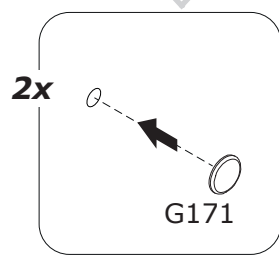
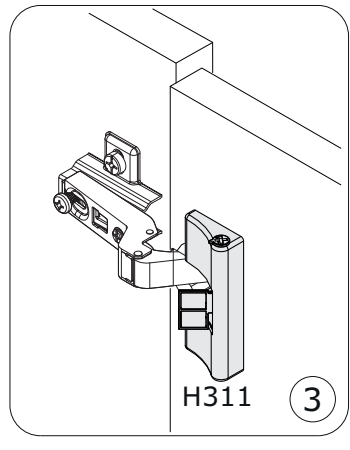
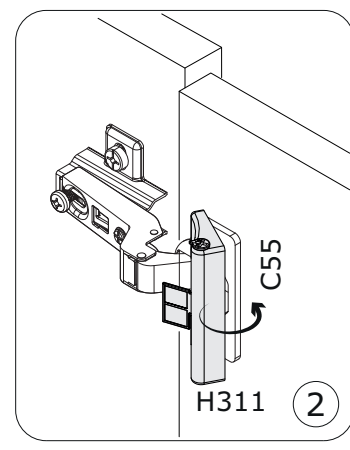
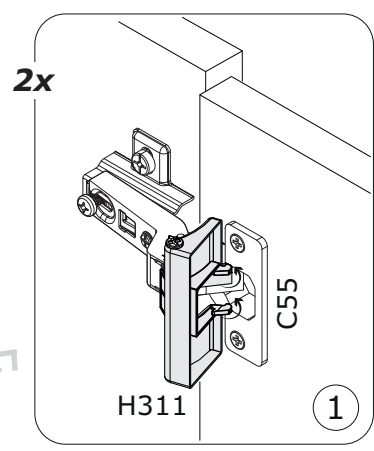
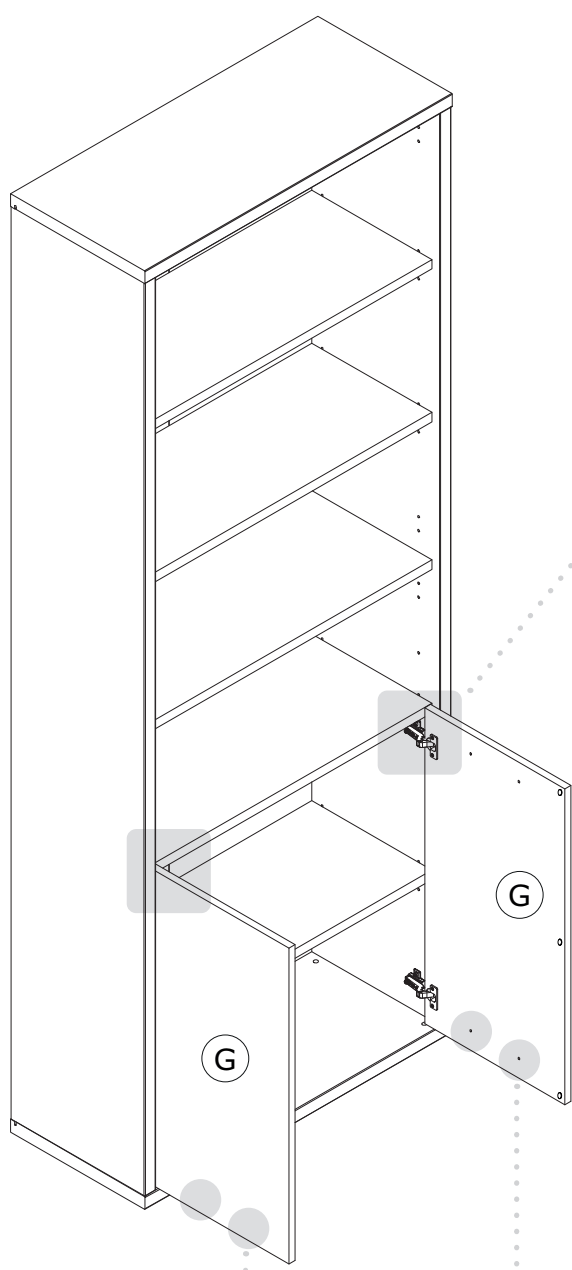


7

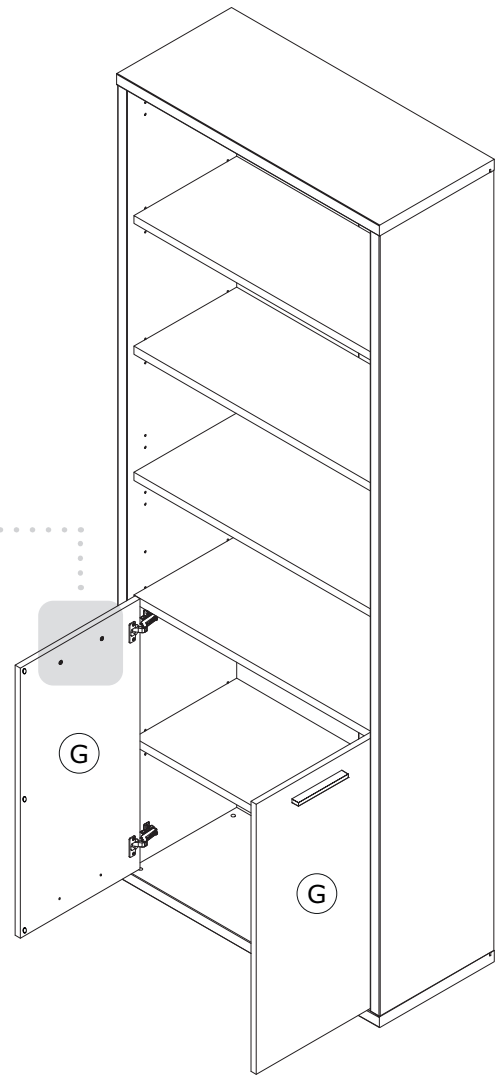
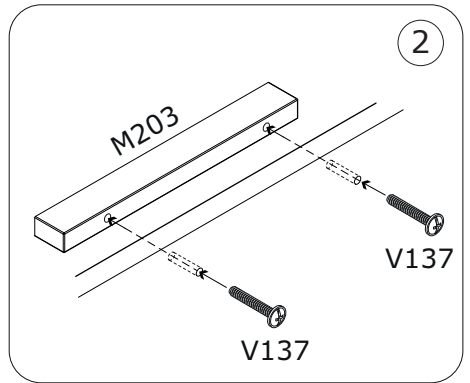
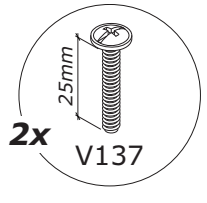
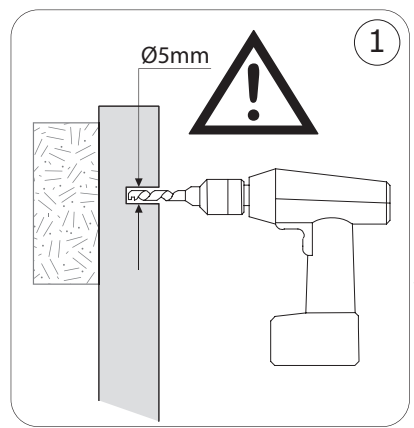
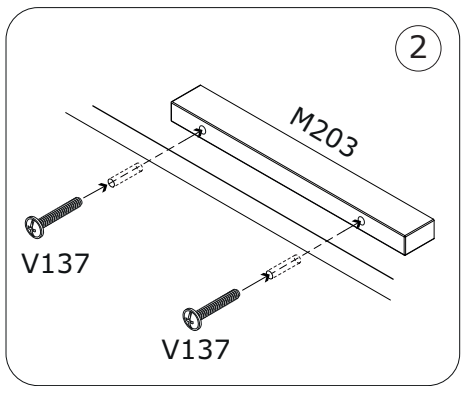
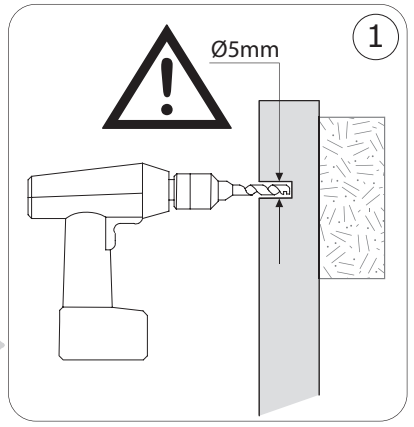
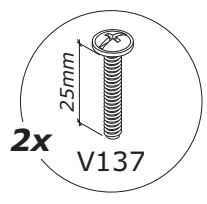
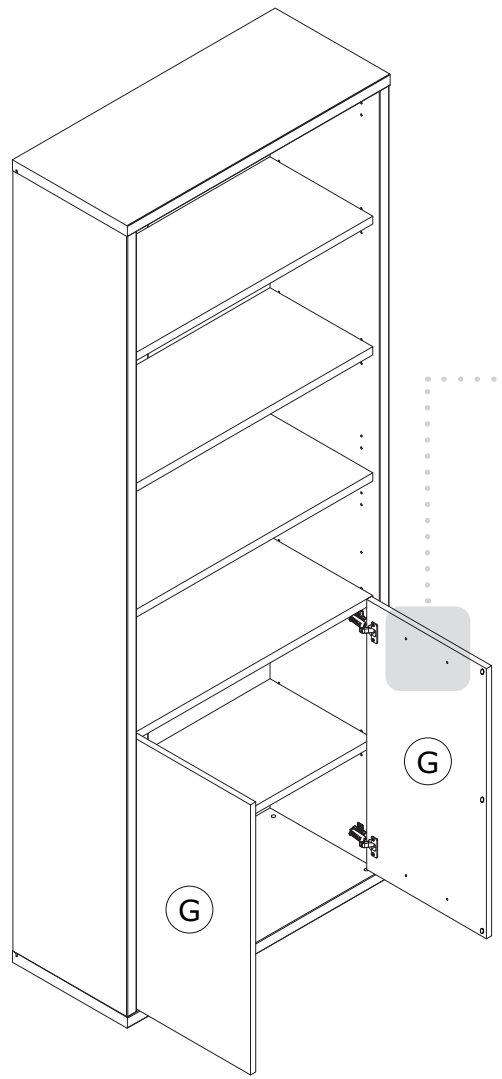
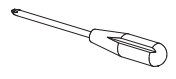
A



A

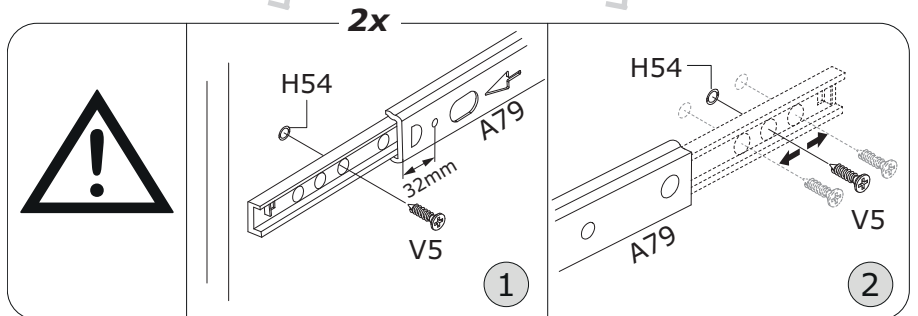
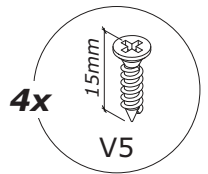
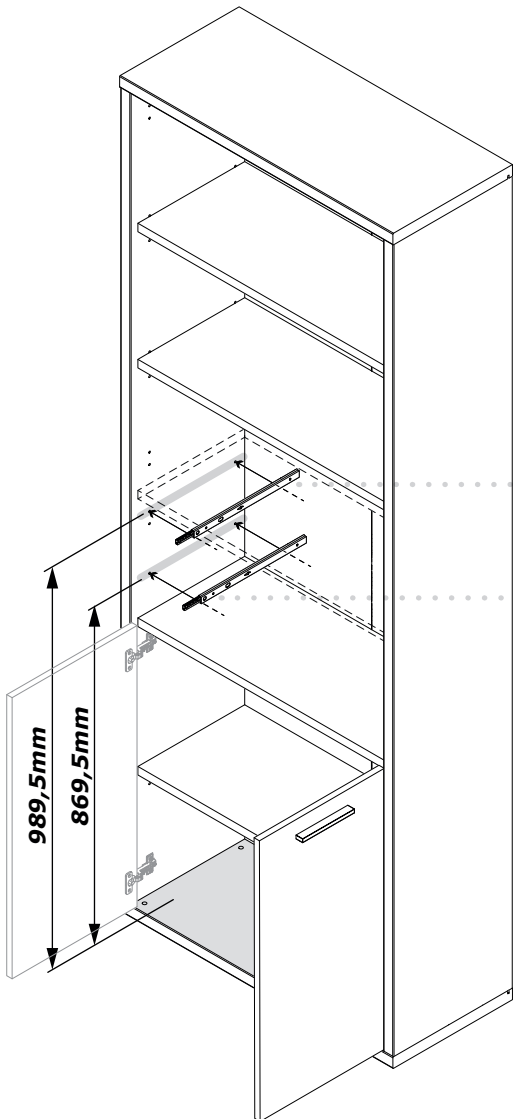
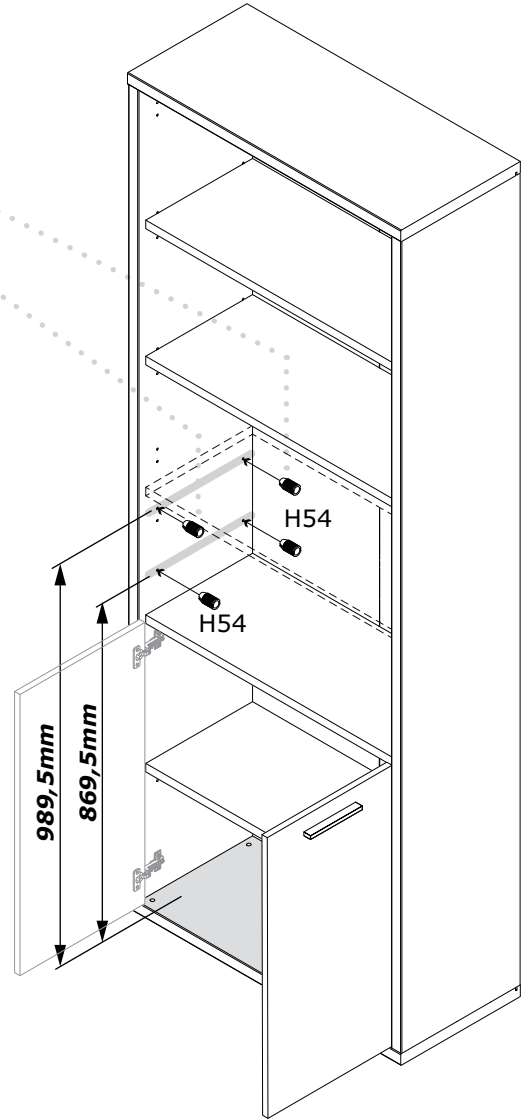
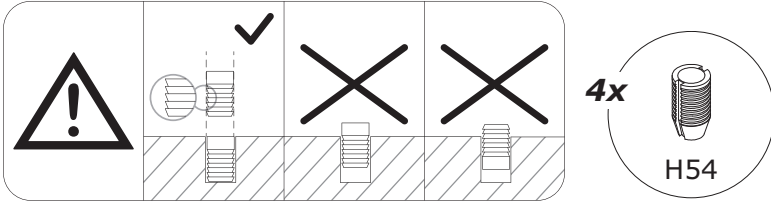
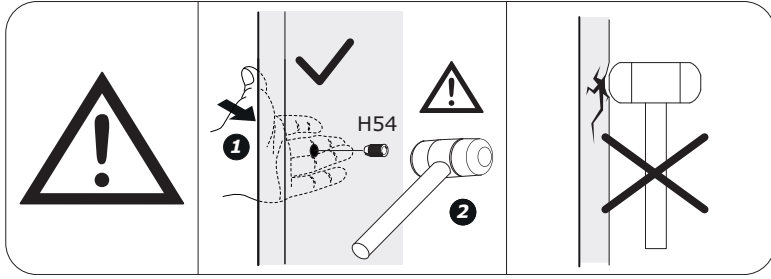
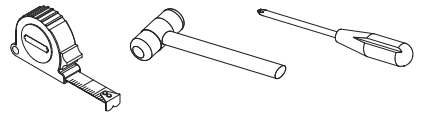


A



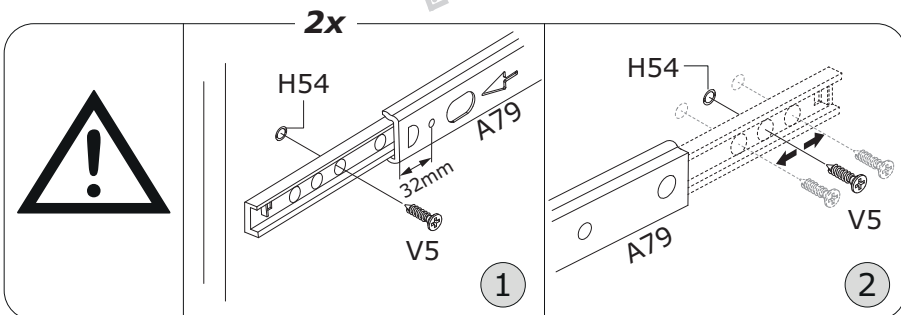
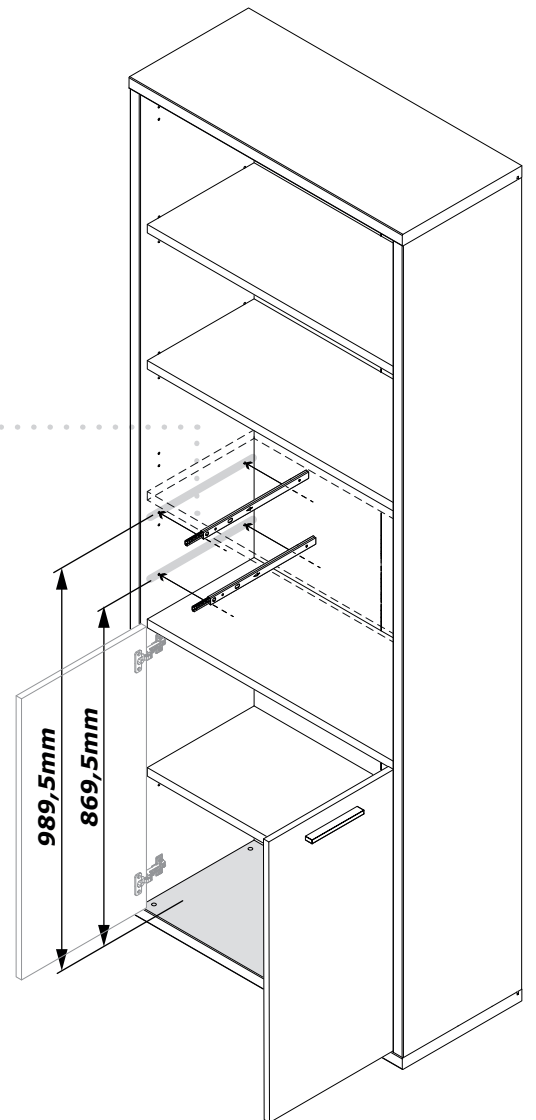
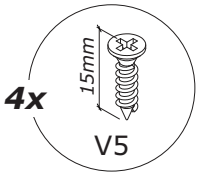
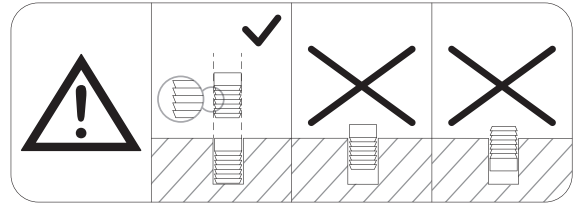
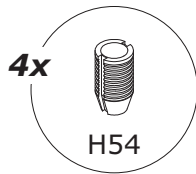
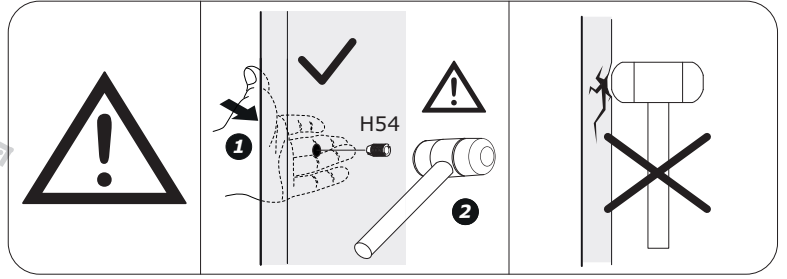
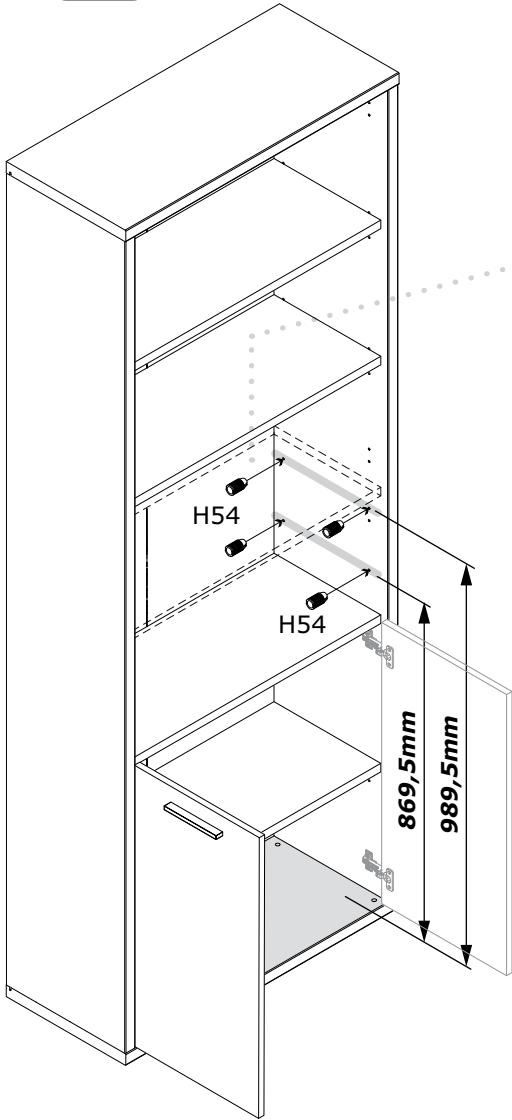
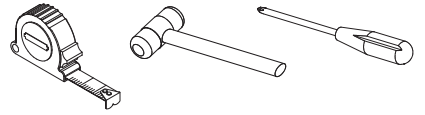
10

A



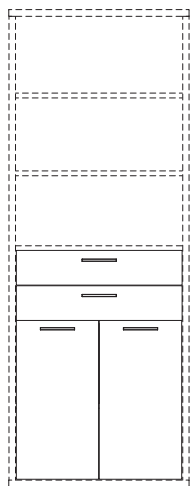
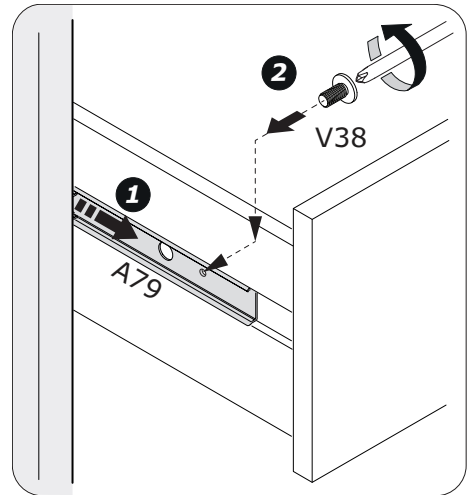
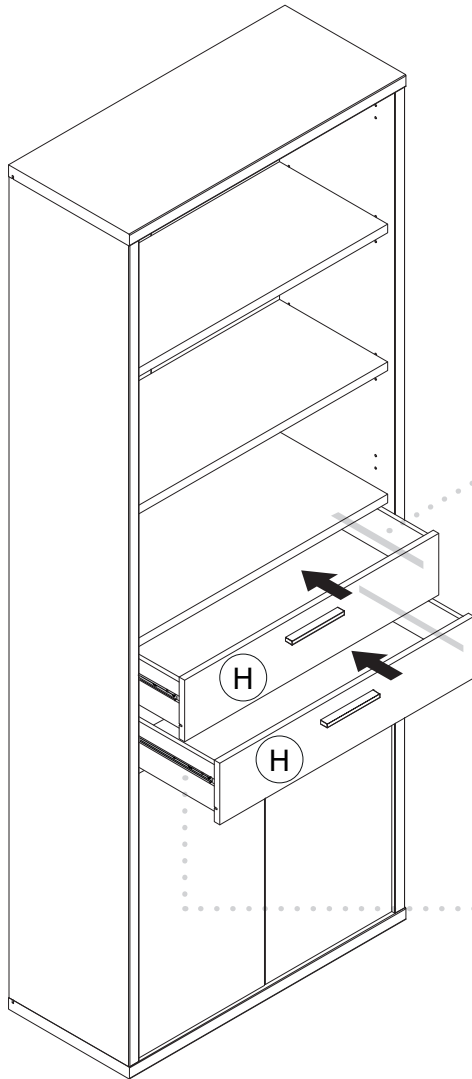
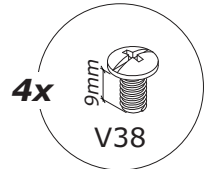
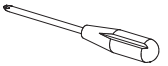
11

A

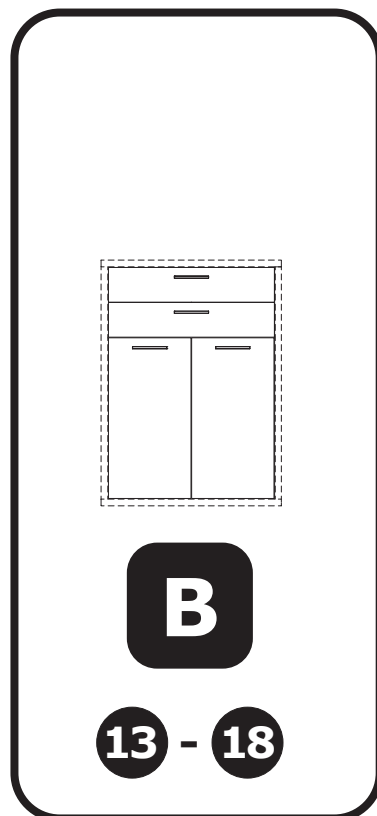


12

A

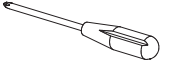


A

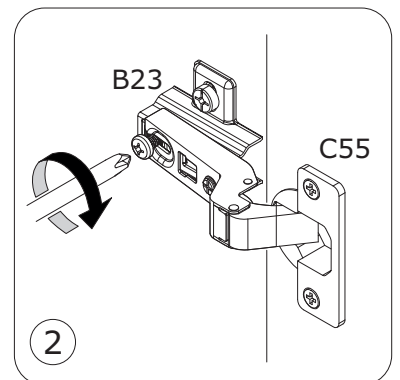
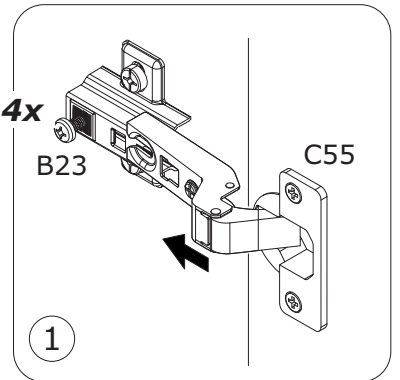
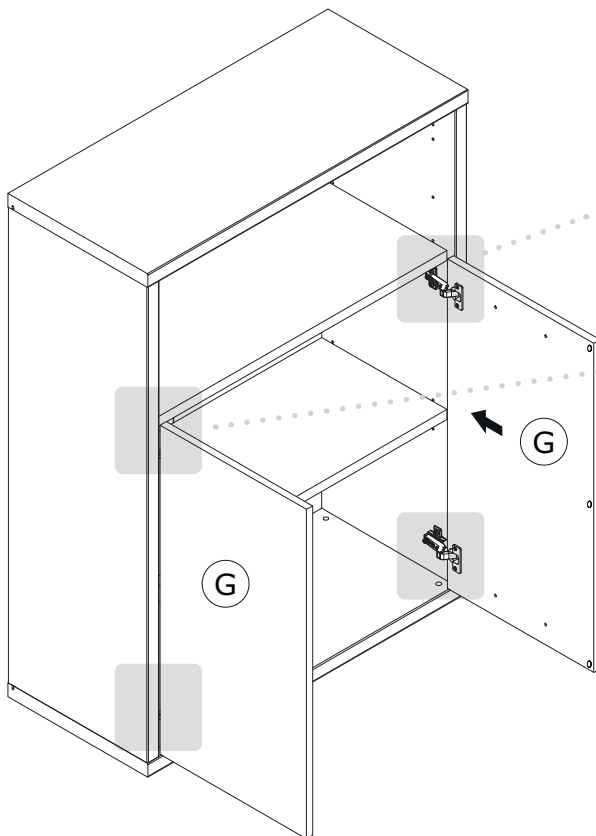
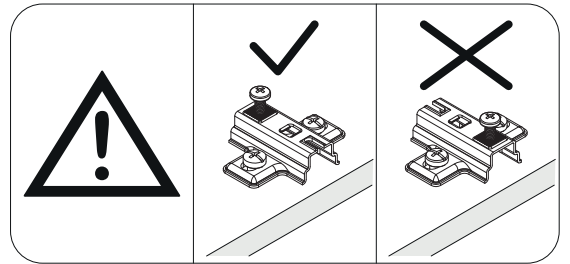
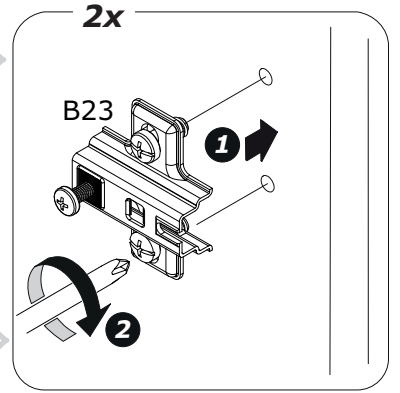
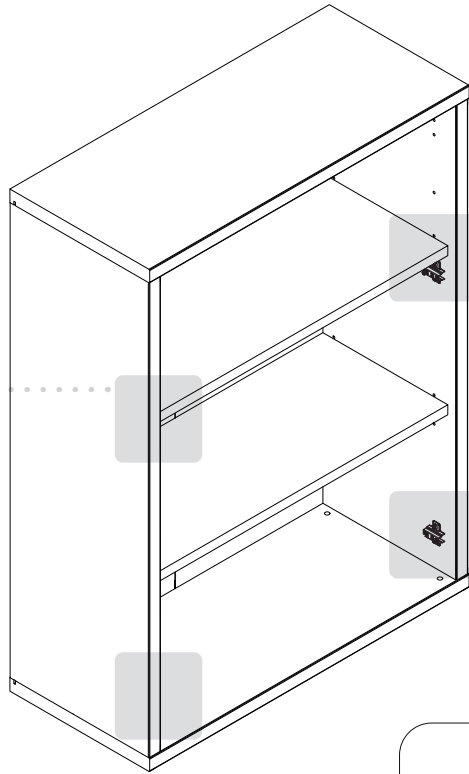
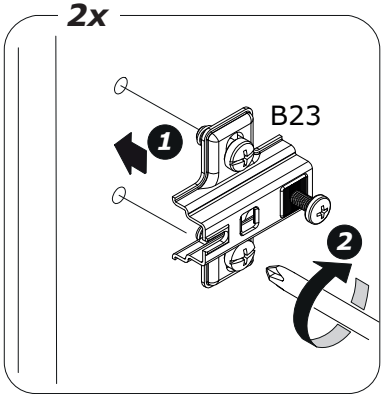


B

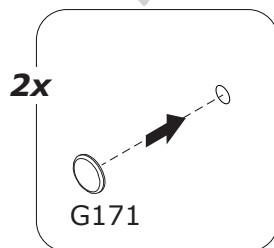
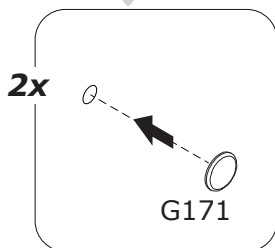
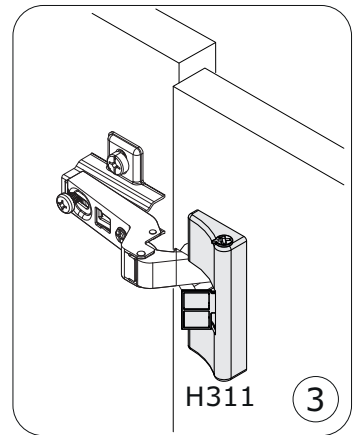
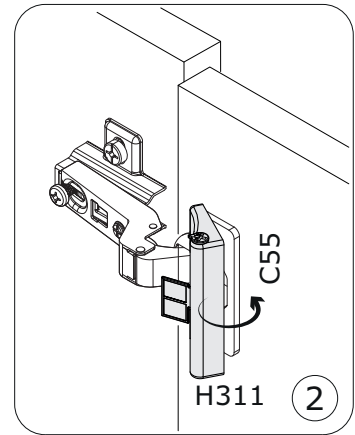
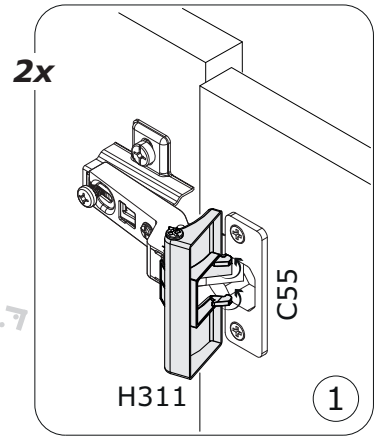
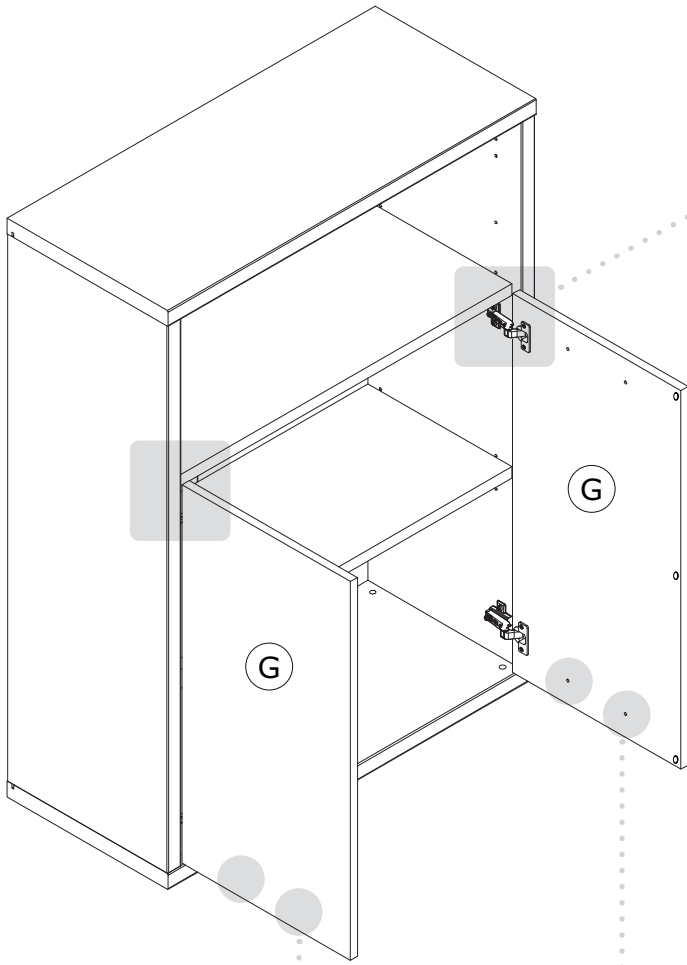
13 - 18



B

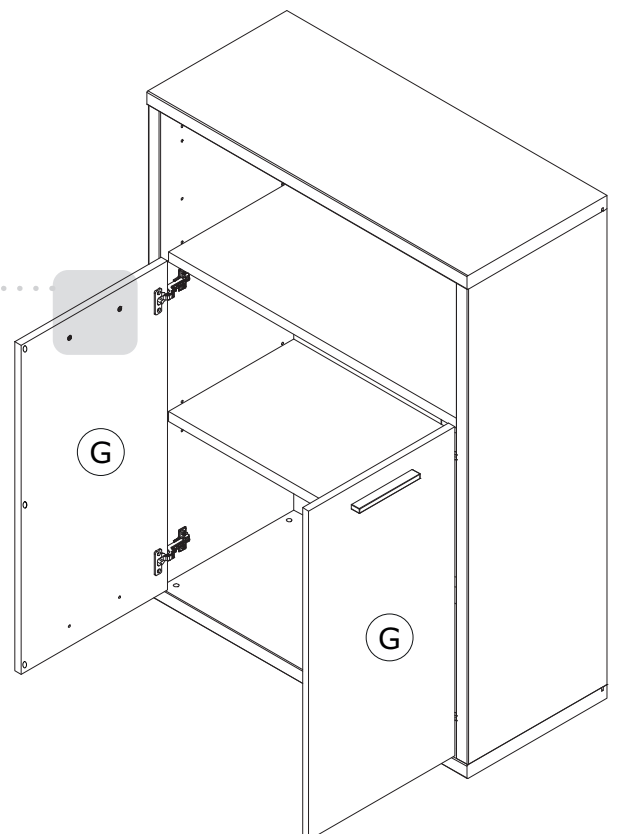
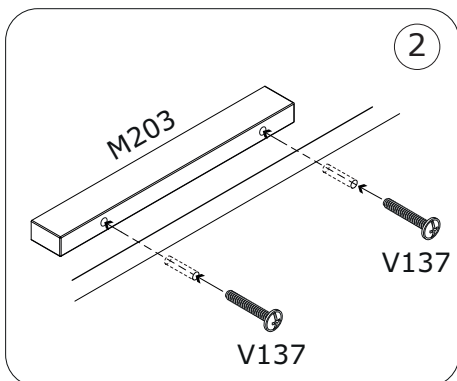
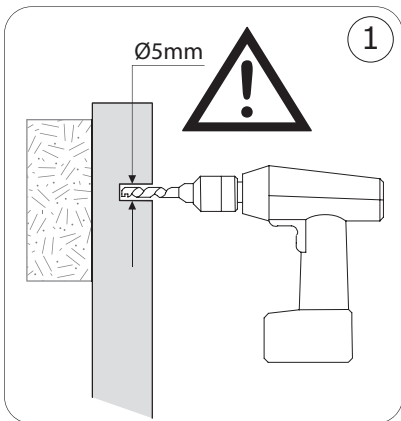
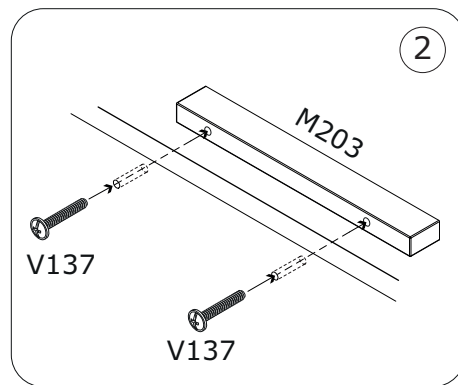
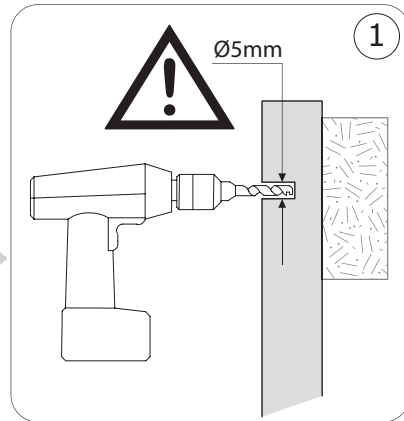
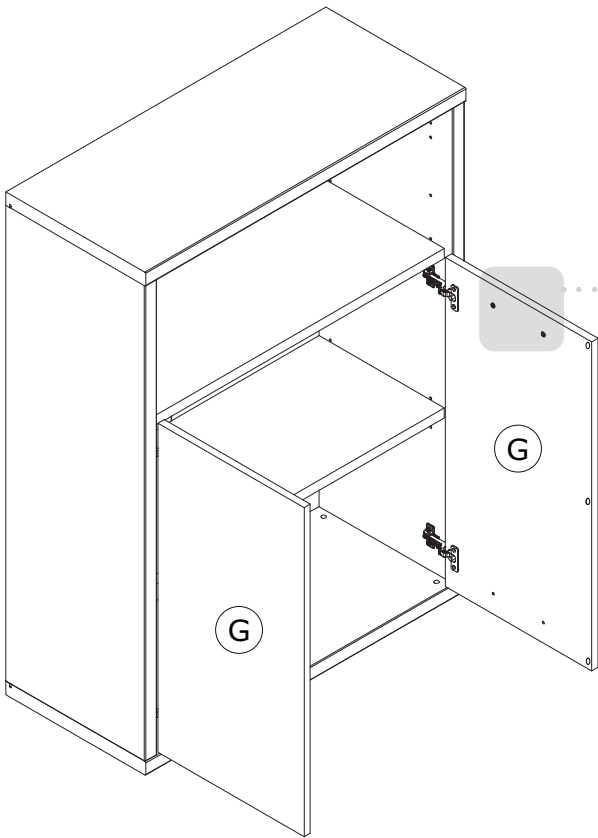
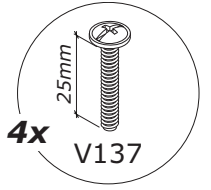
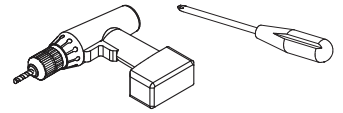


B

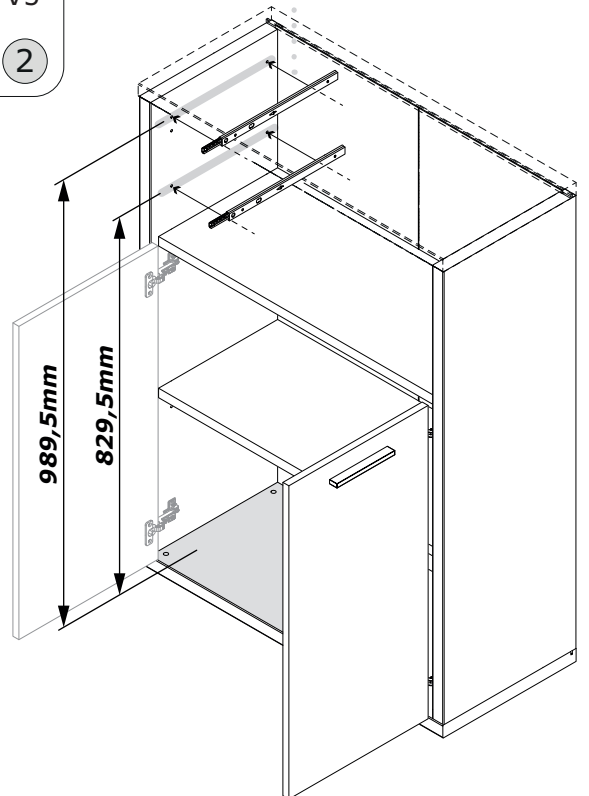
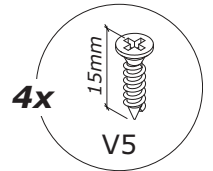
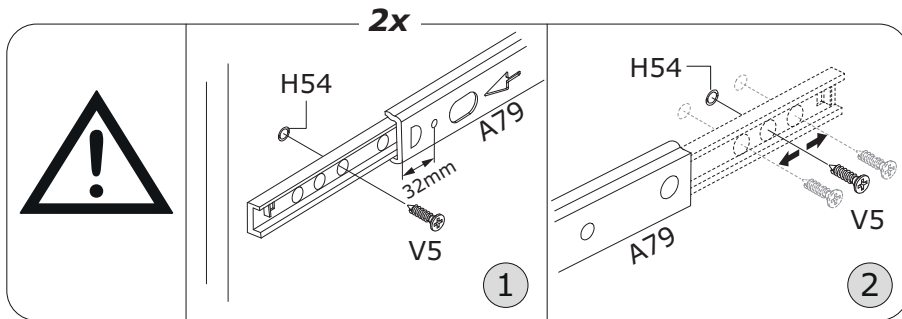
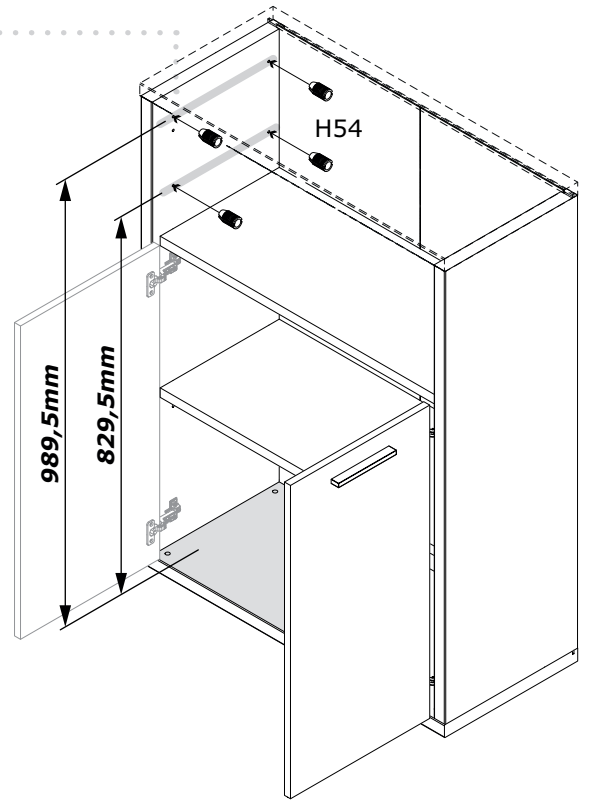
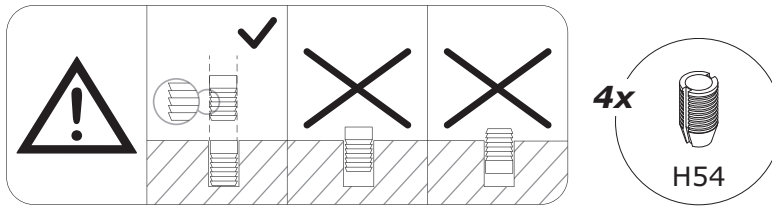
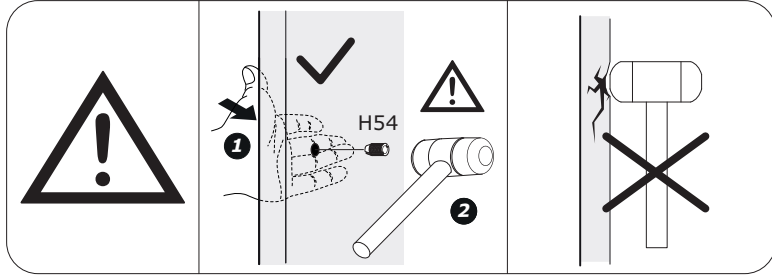
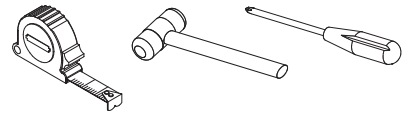


15

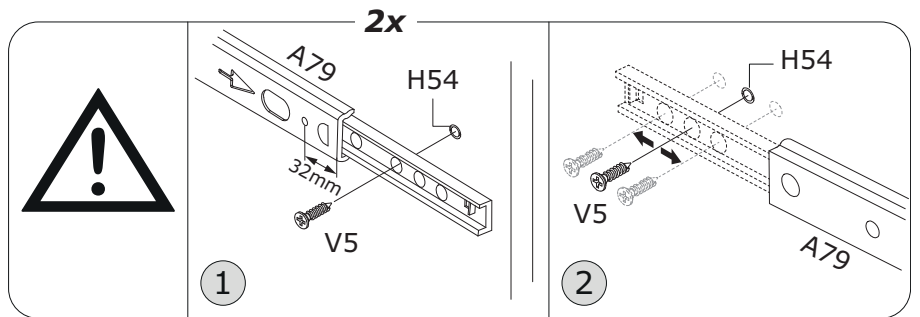
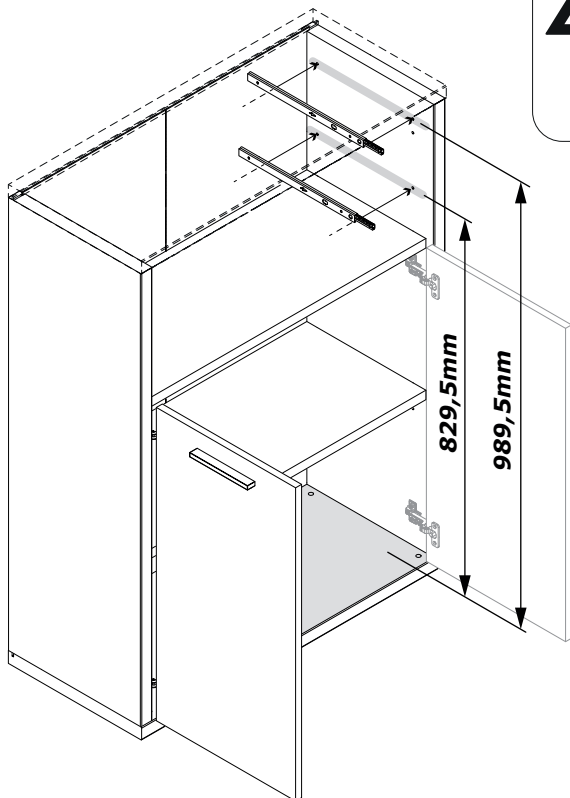
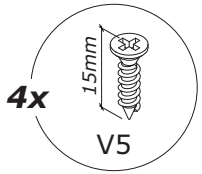
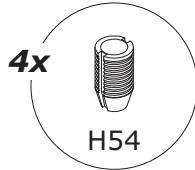
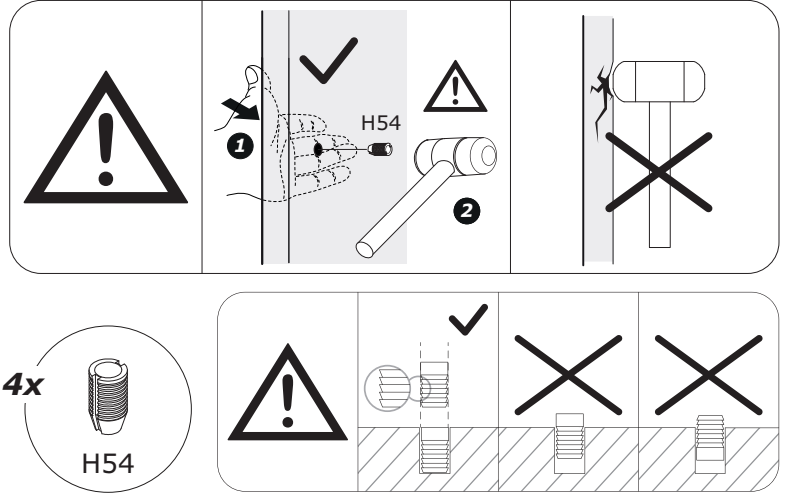
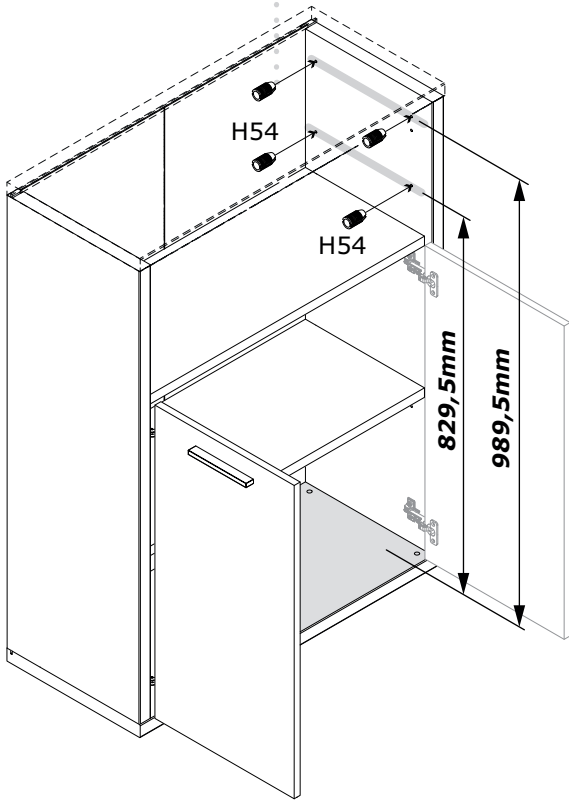
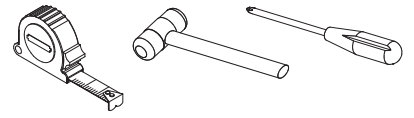
B



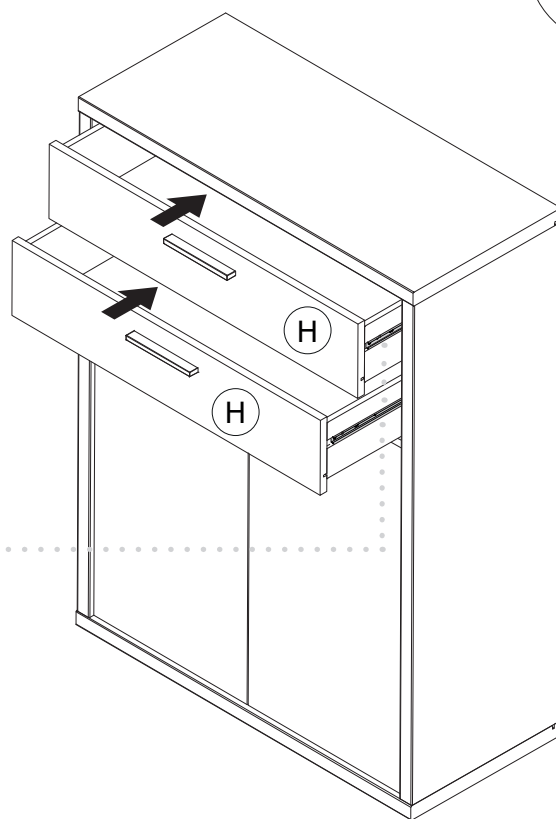
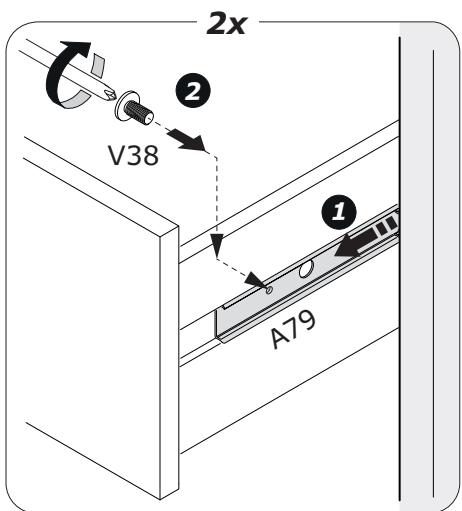
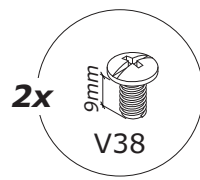
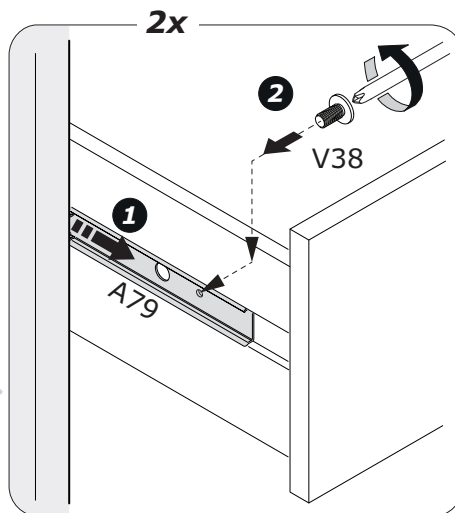
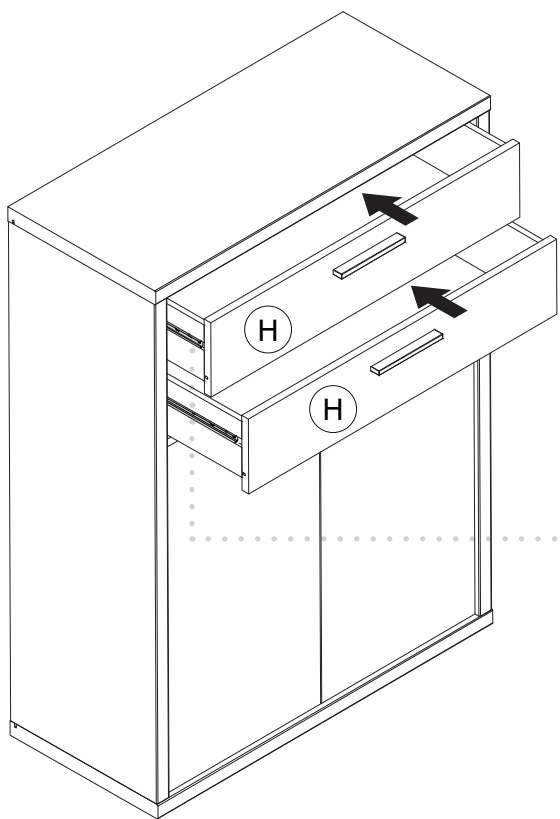
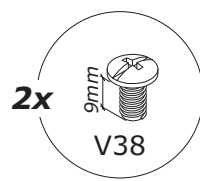
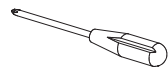
B

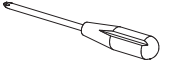


B



B





A B

