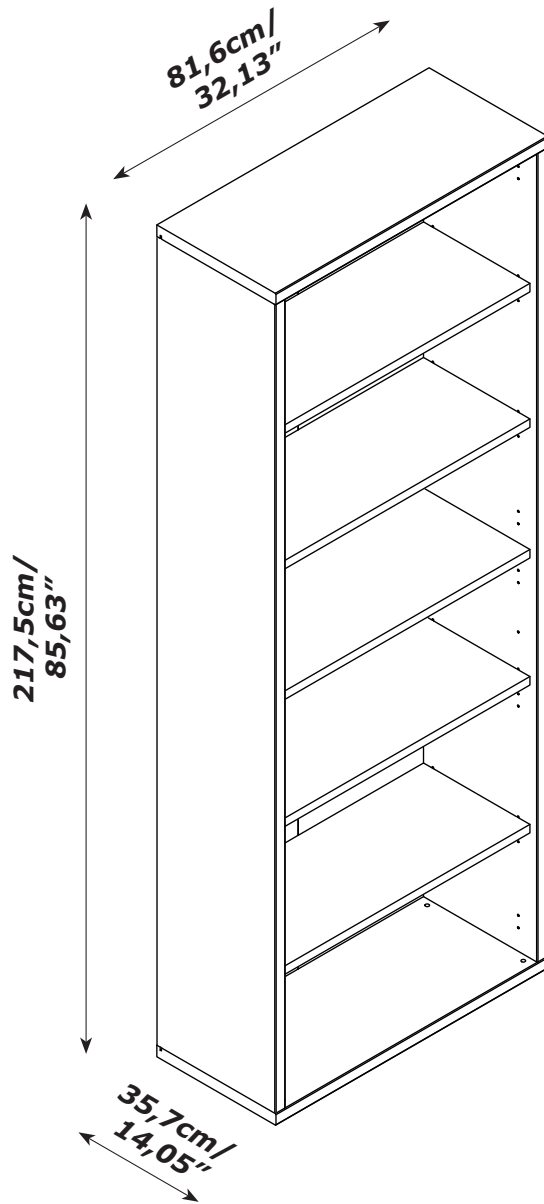


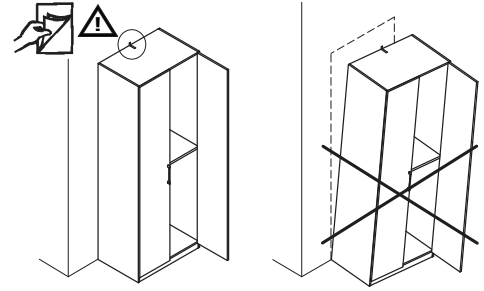
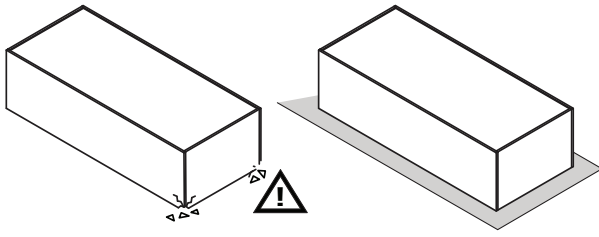
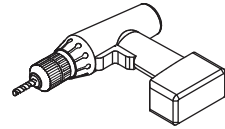
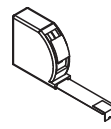
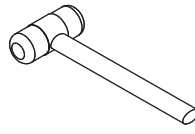
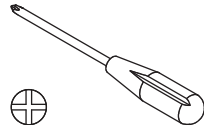
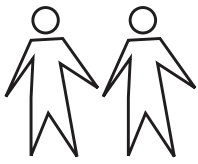
# LB4801B80309



QF5809



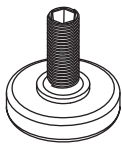
MADE IN ITALY  
Produced by COMPOSAD srl, Via Lombardia 29, 46019 Viadana (MN) ITALY



IT IS RECOMMENDED THAT THE ANTI-TIP KIT INCLUDED WITH THIS PRODUCT BE INSTALLED FOR ADDED SAFETY AND STABILITY.

IT IS ESSENTIAL TO USE WALL ANCHORS APPROPRIATE FOR YOUR WALL TYPE (I.E. PLASTER, DRY-WALL, CONCRETE, ETC.), ALONG WITH APPROPRIATE SCREWS, FOR PROPER MOUNTING. THE SCREWS INCLUDED IN THIS ANTI-TIP KIT MAY NOT BE SUITED FOR ALL WALL TYPES. MOUNTING TO WOOD STUDS IS RECOMMENDED. CONSULT A QUALIFIED PROFESSIONAL OR YOUR LOCAL HARDWARE STORE FOR APPROPRIATE MOUNTING HARDWARE SUITED FOR YOUR SPECIFIC WALL MEDIUM.

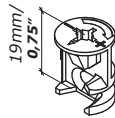
**BU4885**



**P25**  
x4



**H118**  
x4



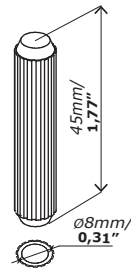
**T97**  
x4



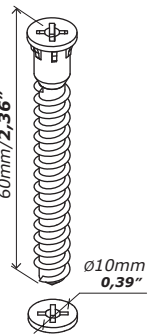
**T7**  
x4



**T28**  
x8



**H325**  
x12



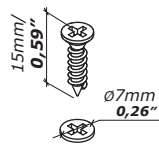
**V57**  
x4



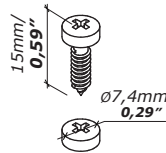
**R40**  
x16



**H2**  
x20



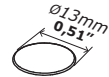
**V5**  
x20



**V81**  
x2



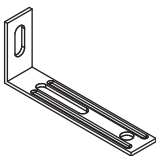
**G171**  
x22



**G198**  
x4



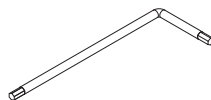
**G199**  
x4



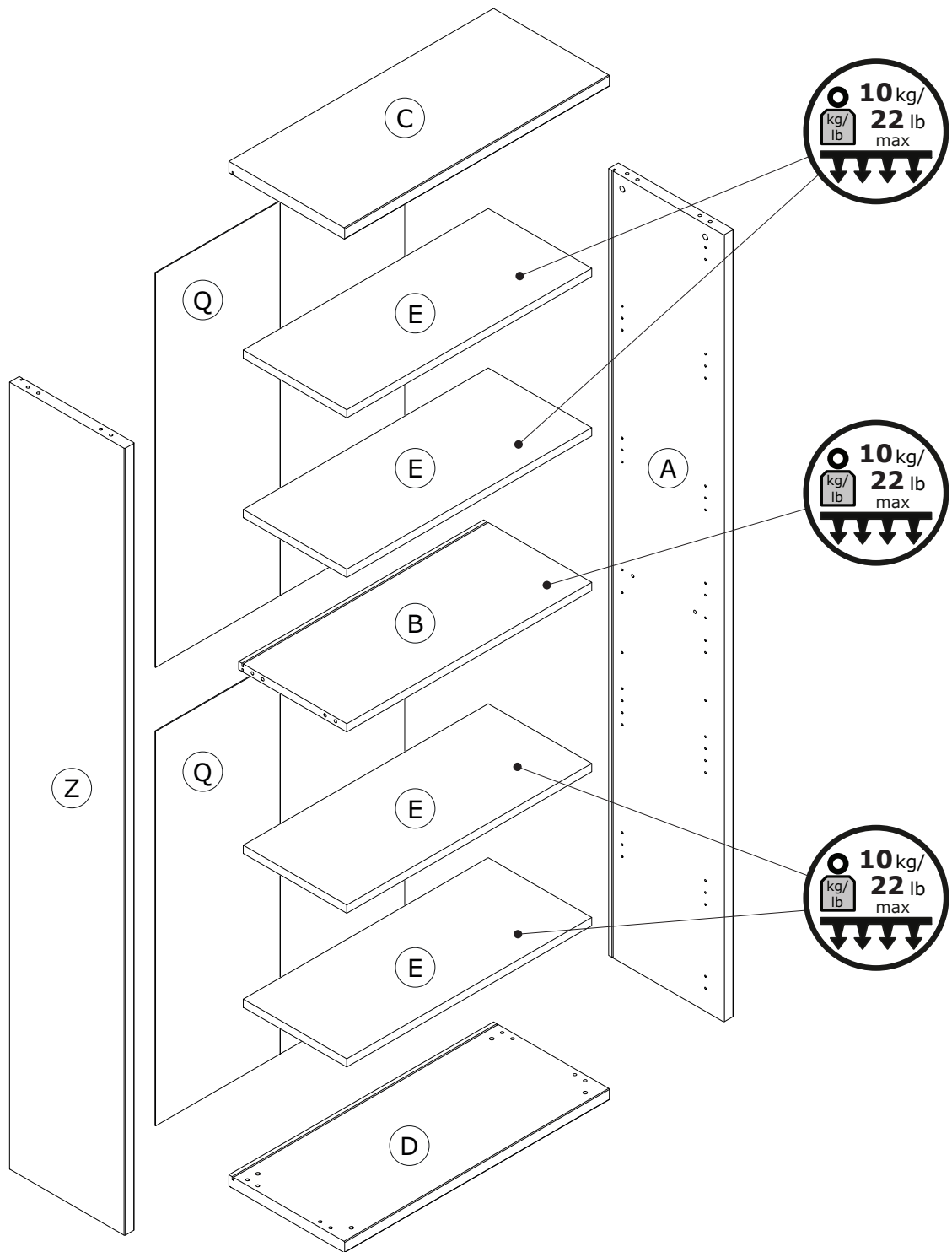
**H185**  
x1

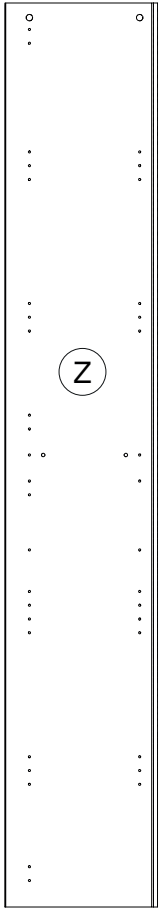


**H129**  
x2

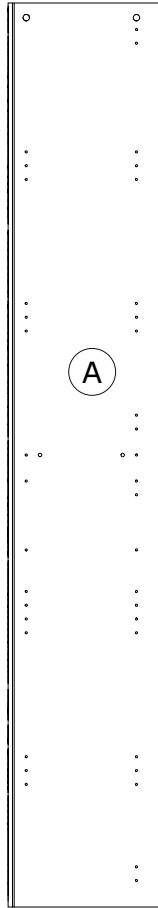


**H138**  
x1

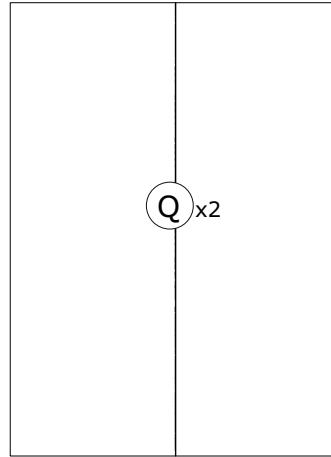




**F19312**  
2100x355x30mm/  
82,68"x13,98"x1,18"

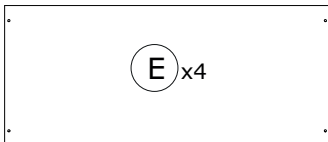


**F19313**  
2100x355x30mm/  
82,68"x13,98"x1,18"

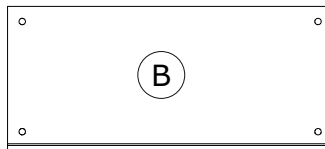


**SH3790**  
1053x768x2mm/  
41,45"x30,23"x0,079"

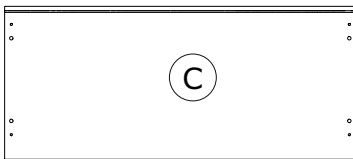
**BOX 1/2**



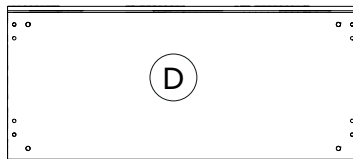
**PI7561**  
755x319x22mm/  
29,72"x12,56"x0,87"



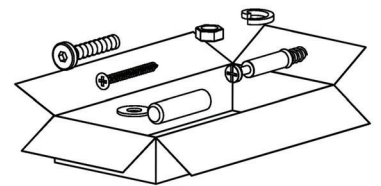
**PI7562**  
755x319x22mm/  
29,72"x12,56"x0,87"



**CA3905**  
816x357x30mm/  
32,13"x14,05"x1,18"

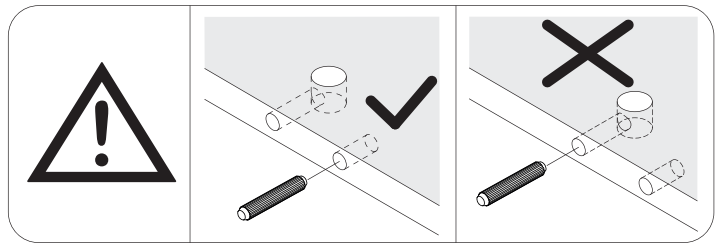
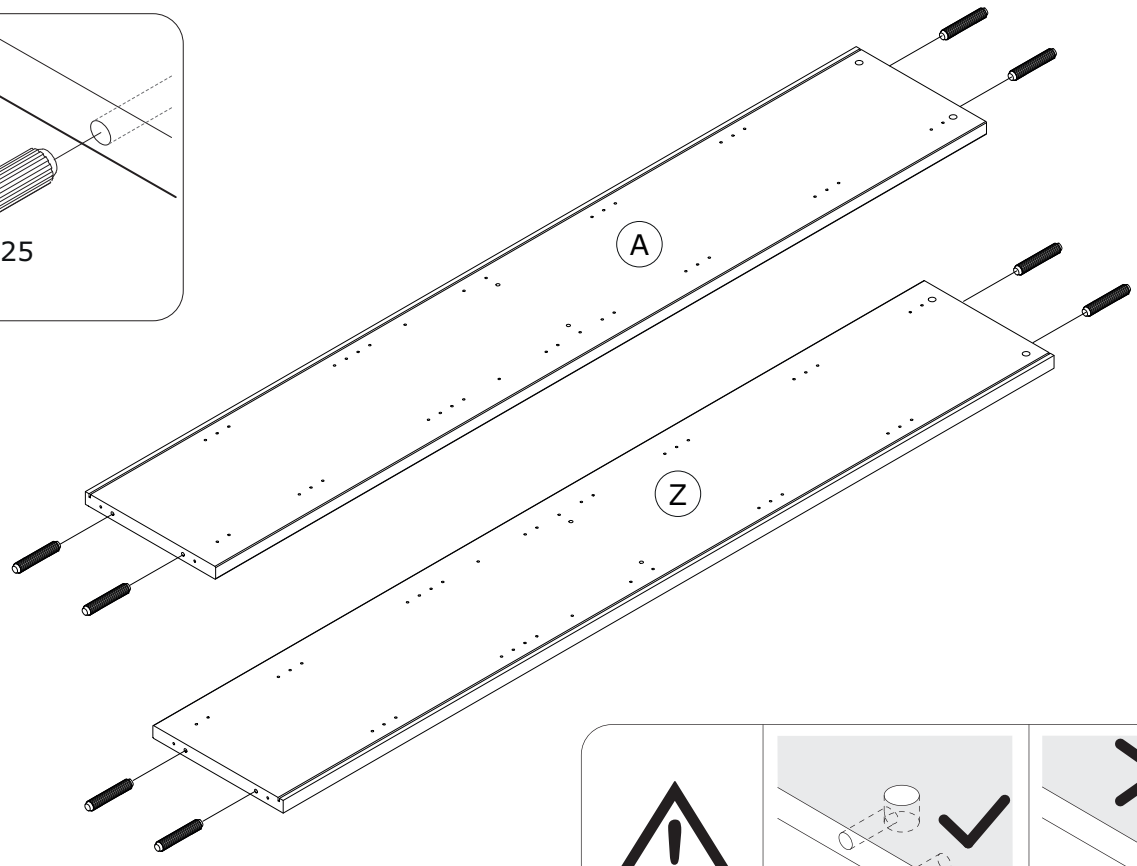
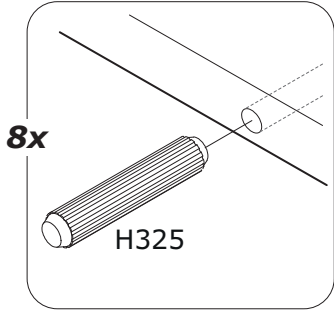


**BA2398**  
816x357x30mm/  
32,13"x14,05"x1,18"

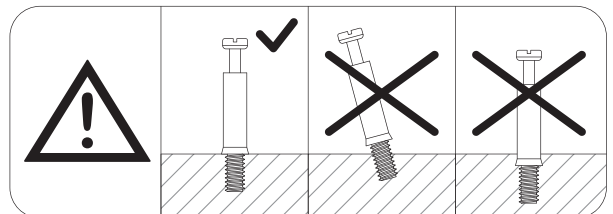
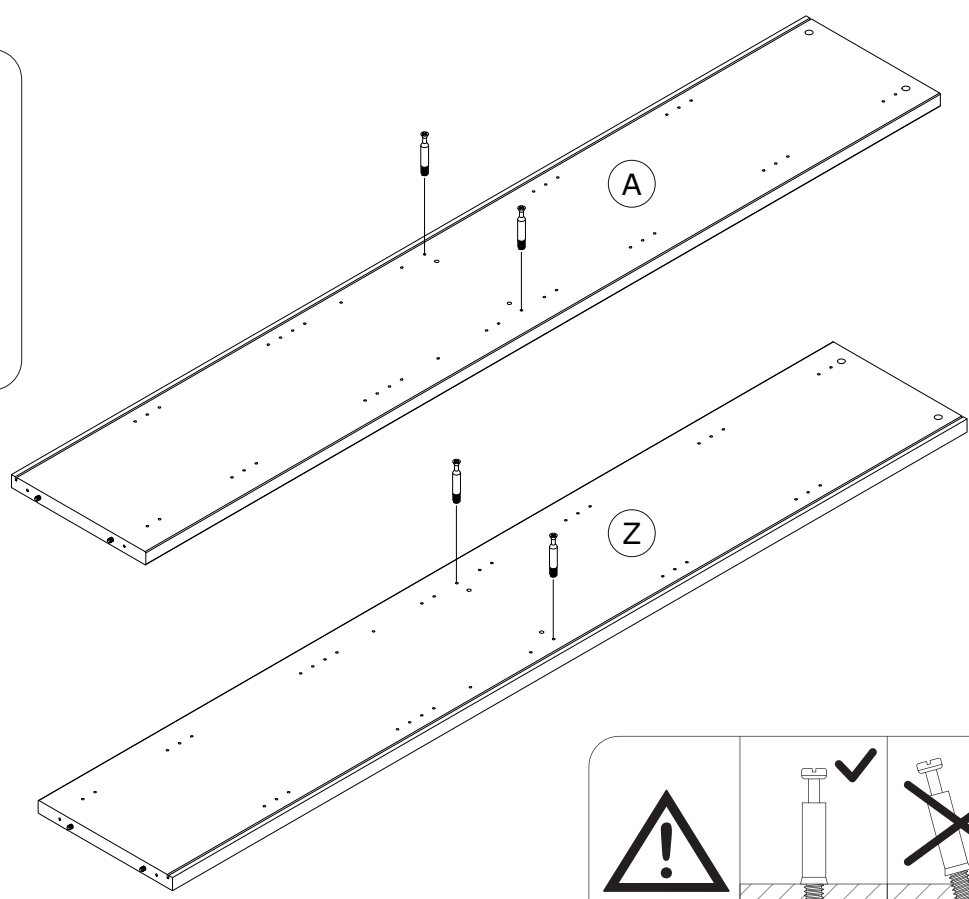
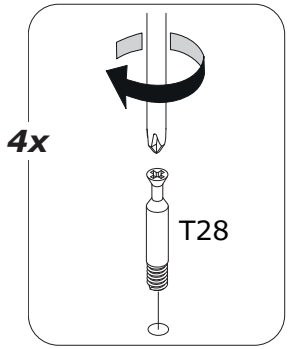


**BOX 2/2**

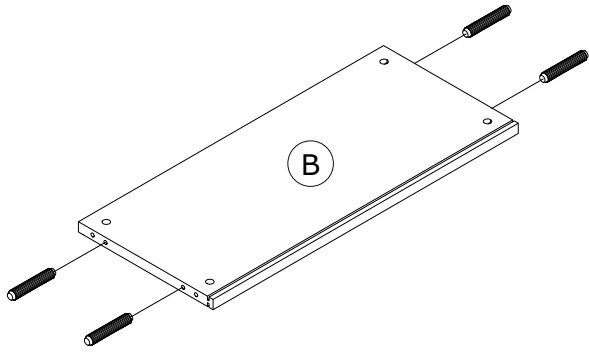
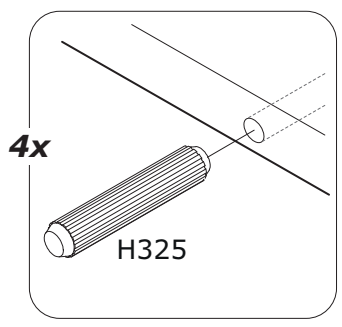
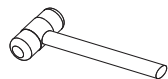
1



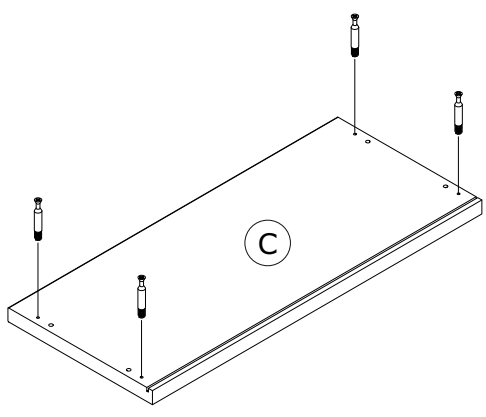
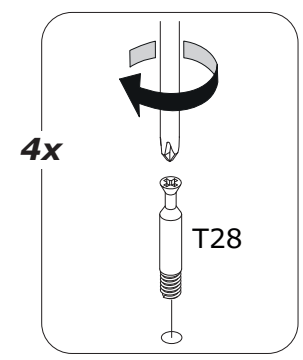
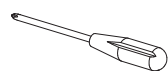
2



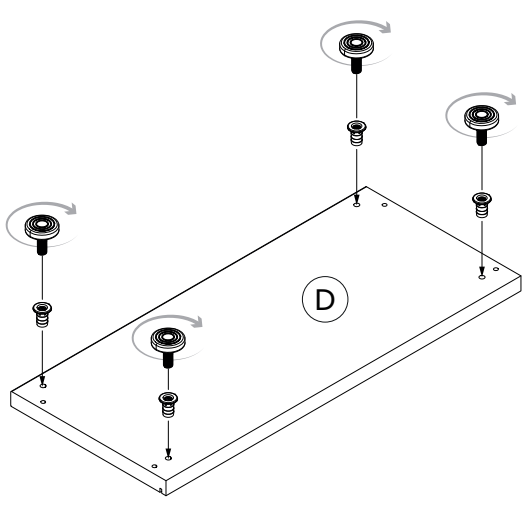
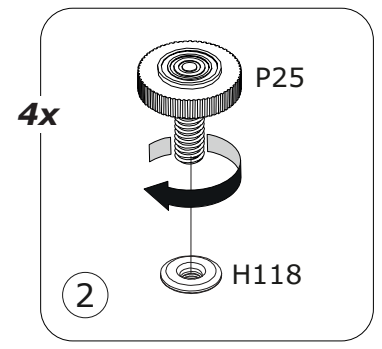
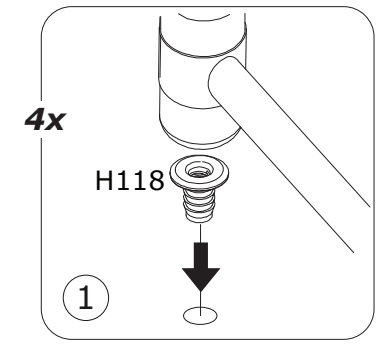
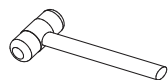
3



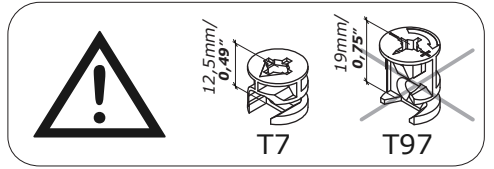
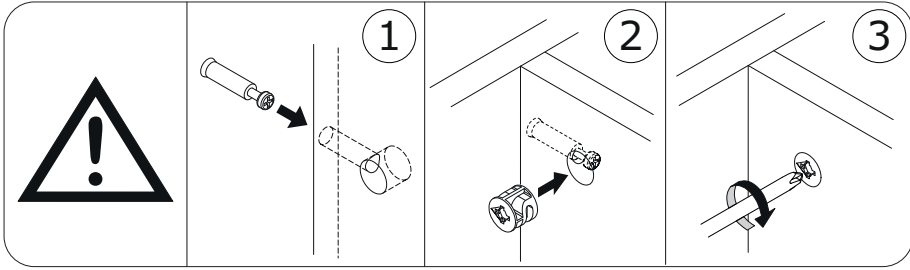
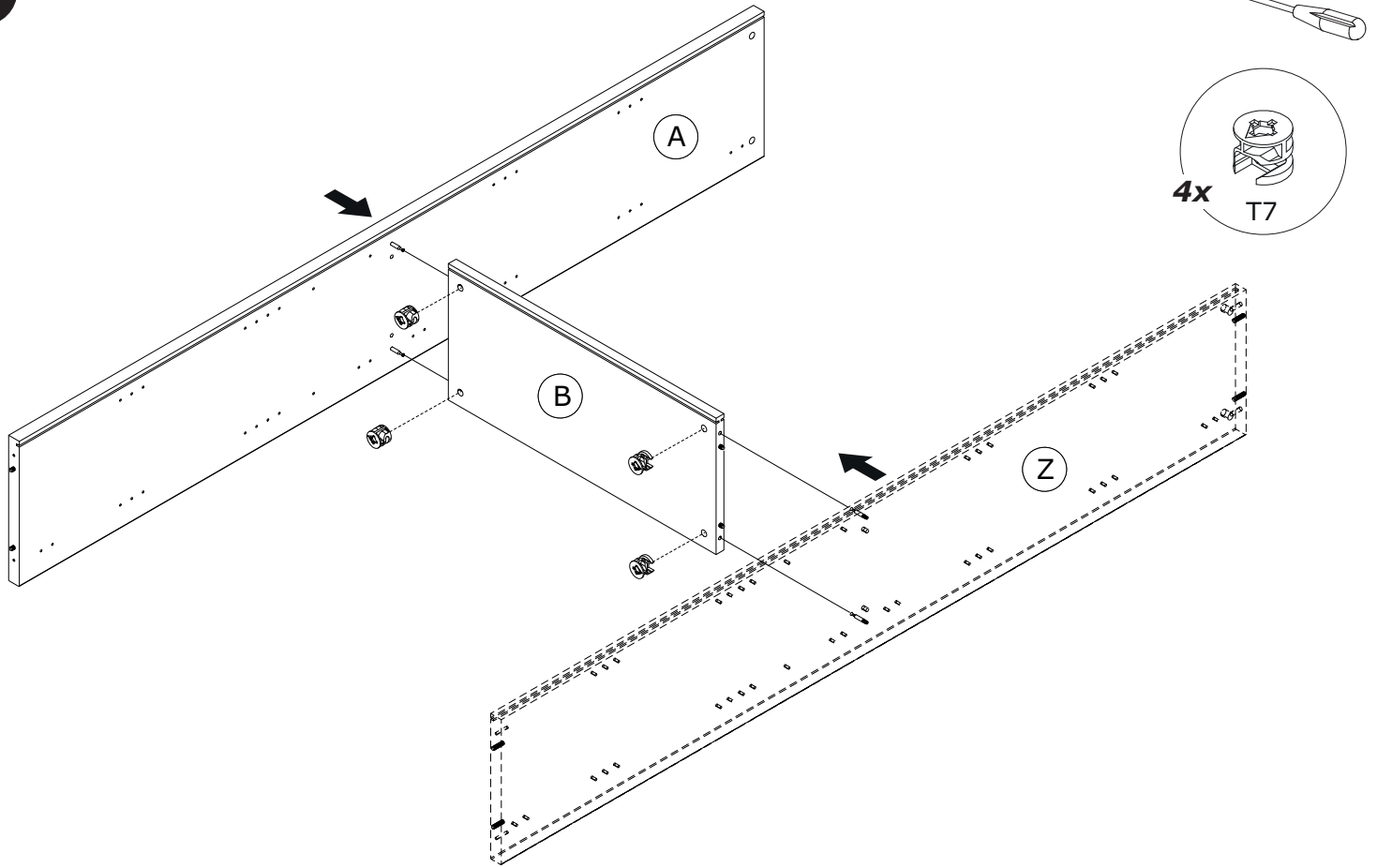
4



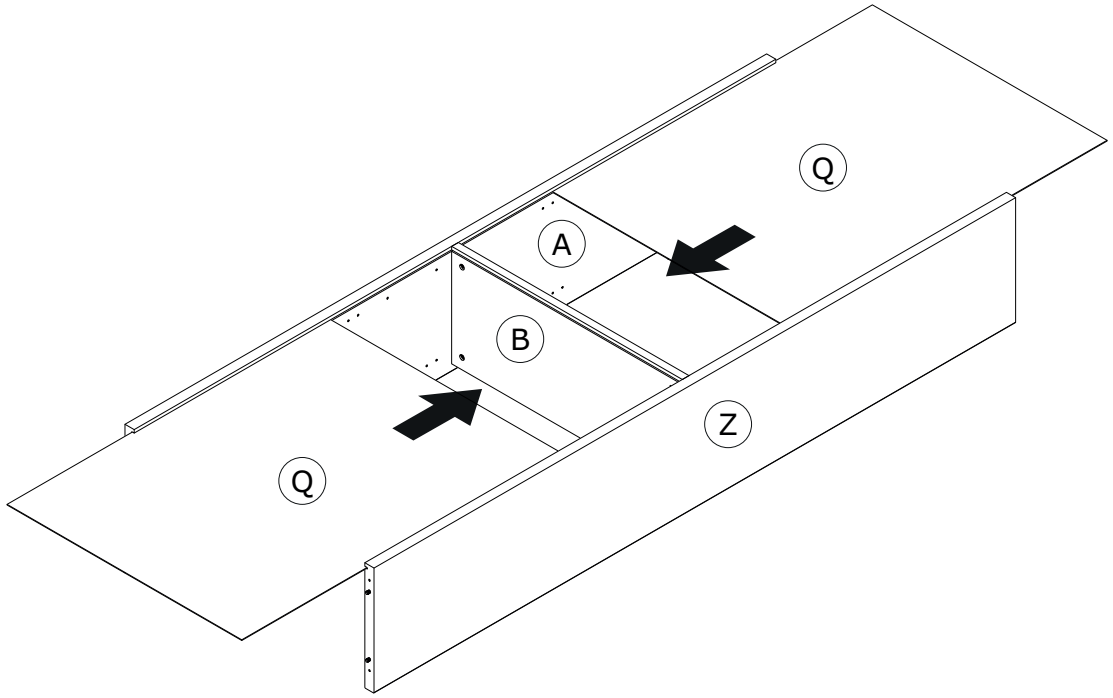
5



6



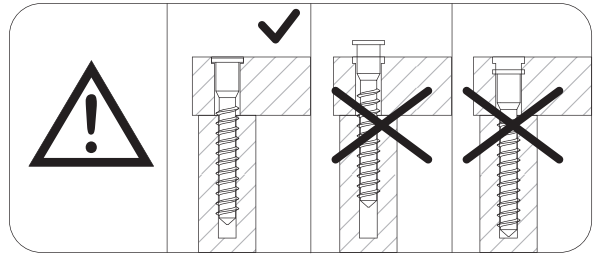
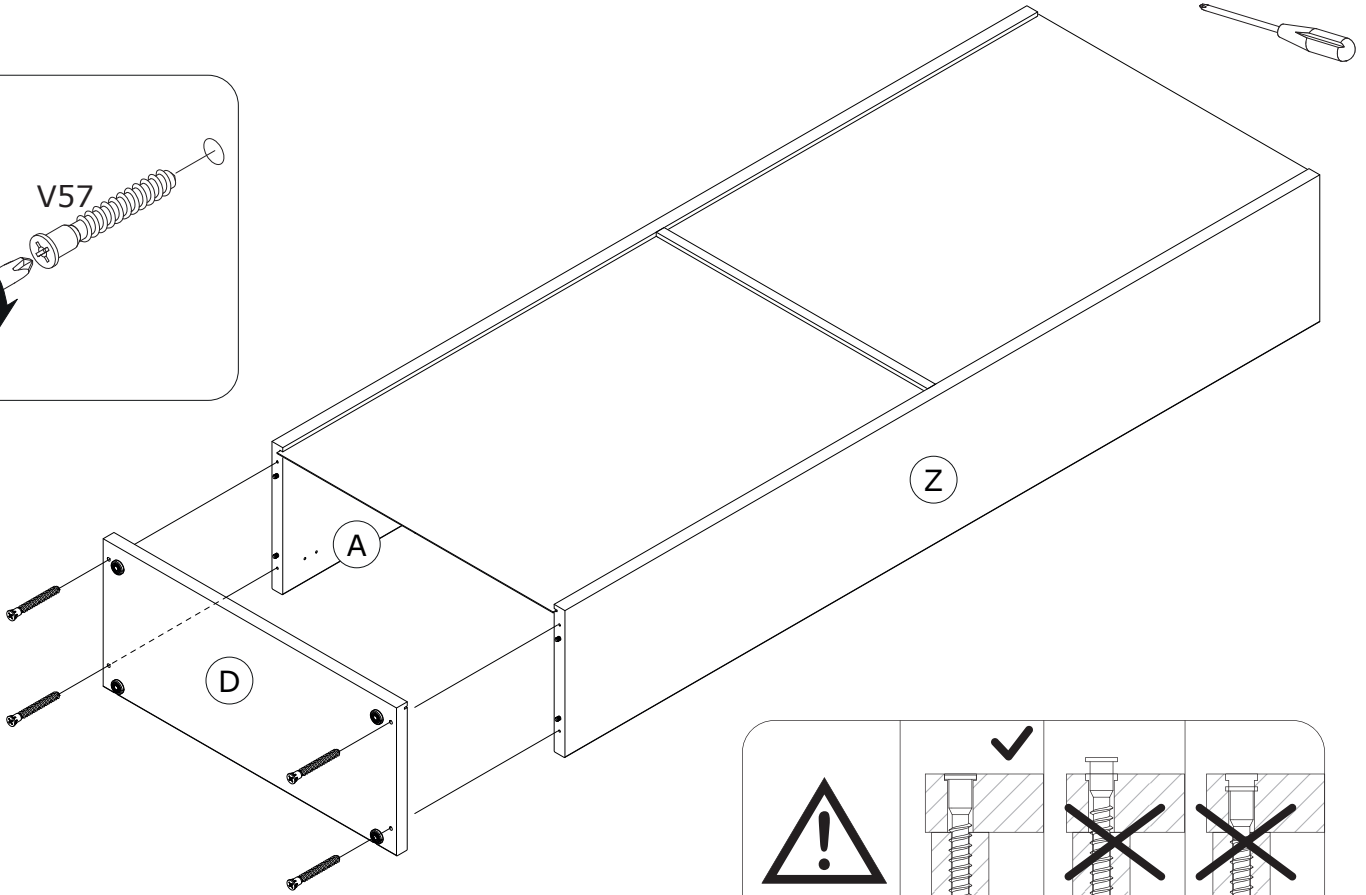
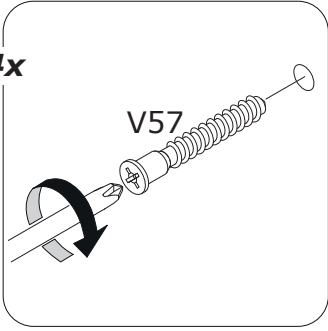
7



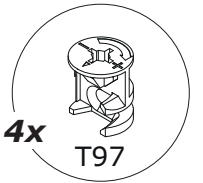
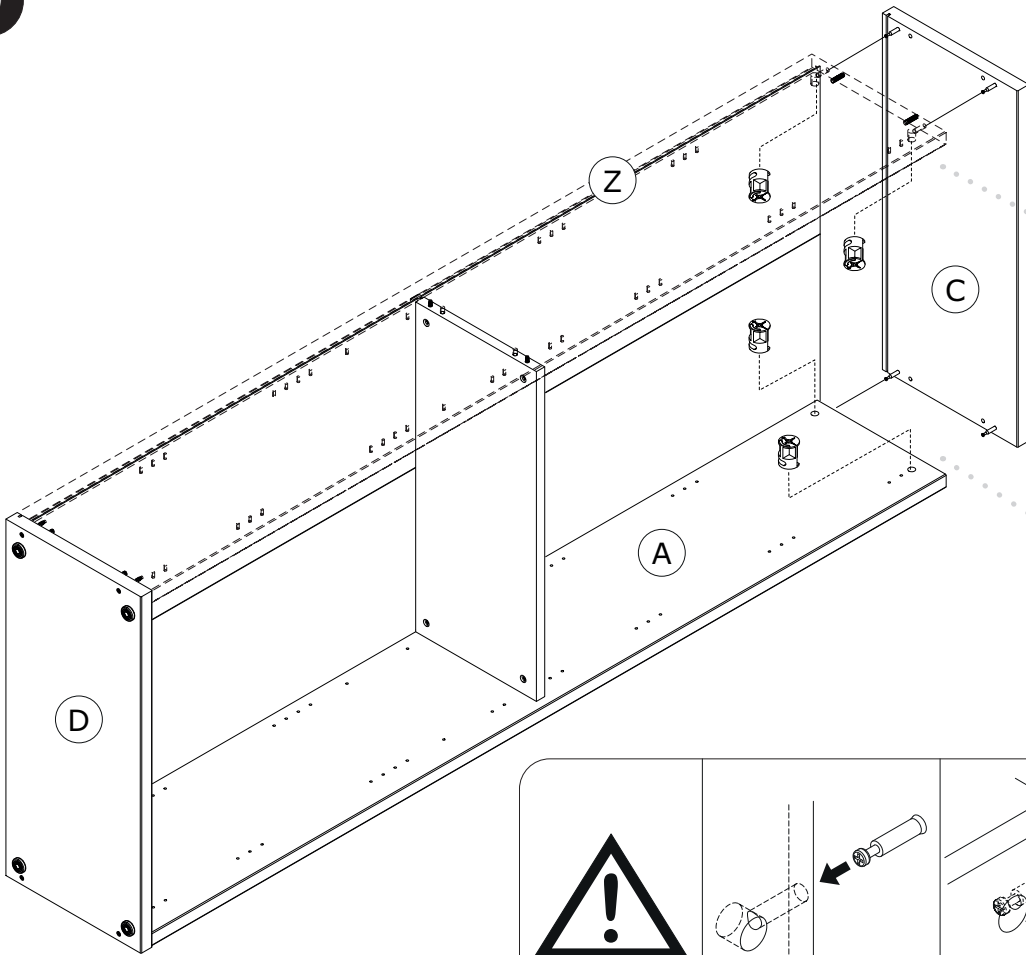
8

4x

V57

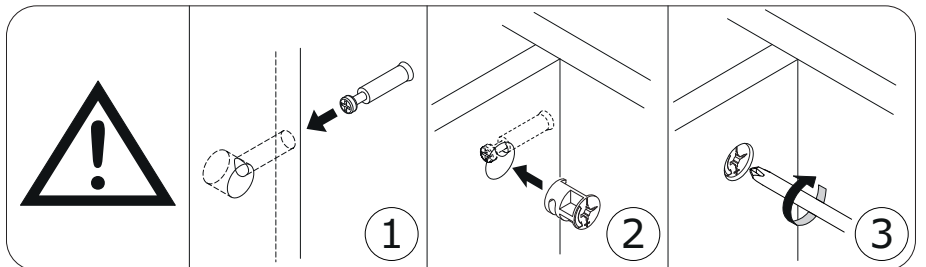


9

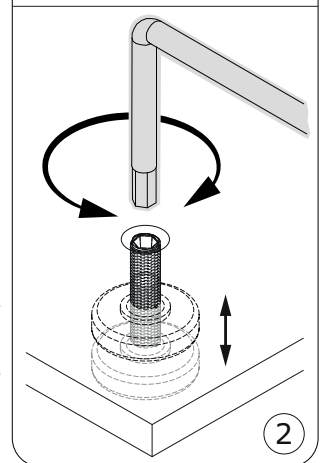
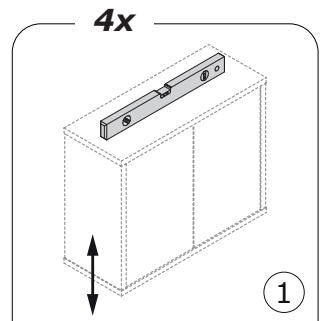
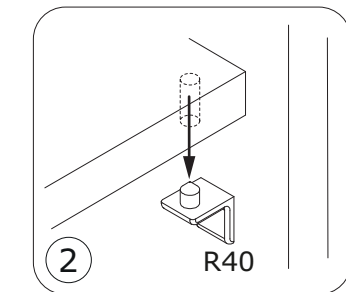
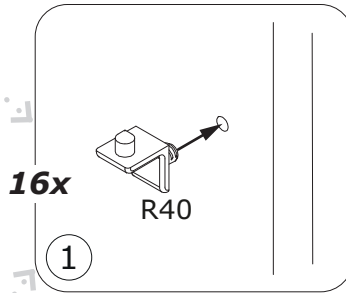
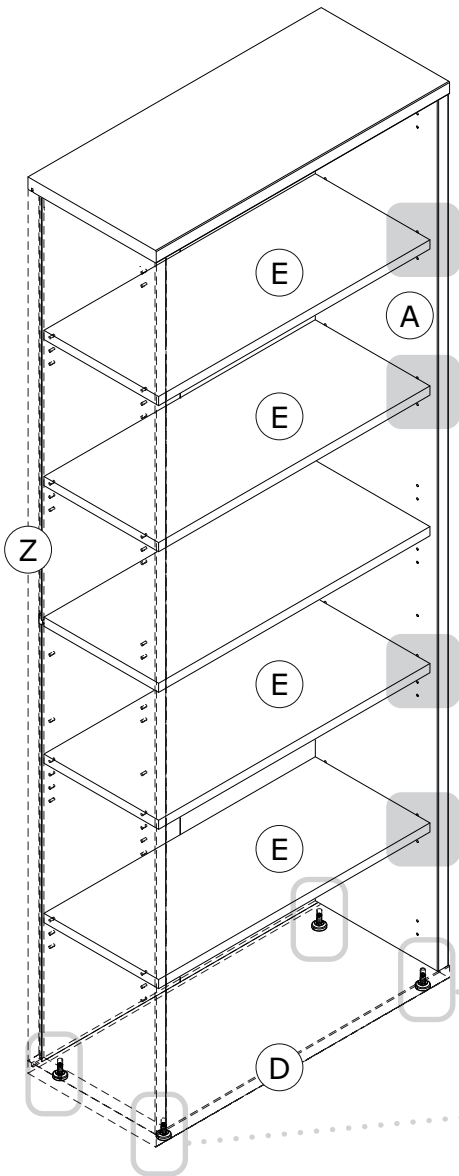
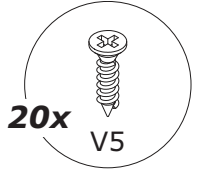
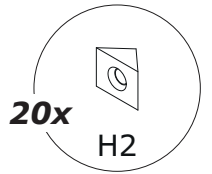
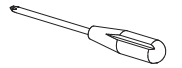
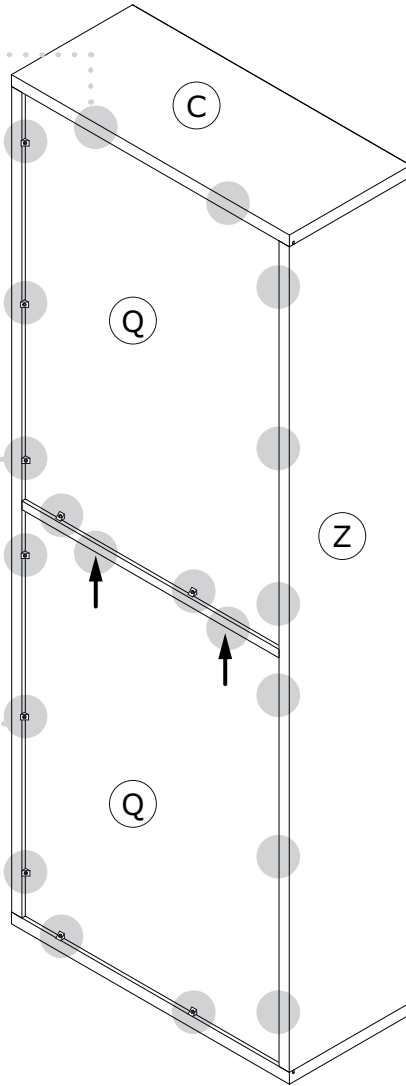
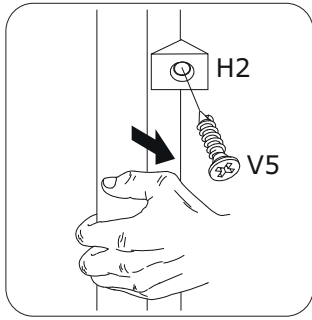
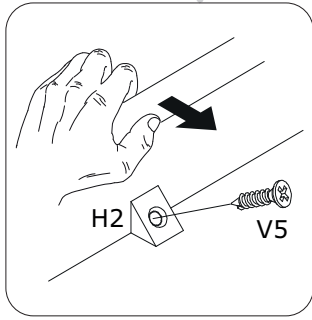


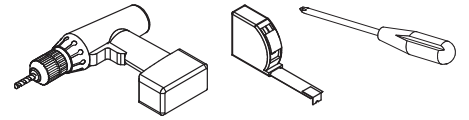
4x

T97







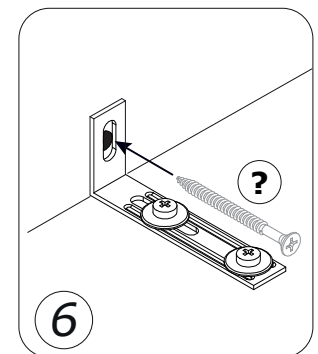
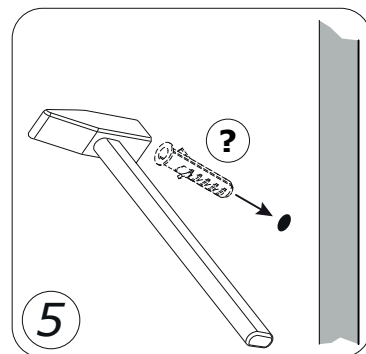
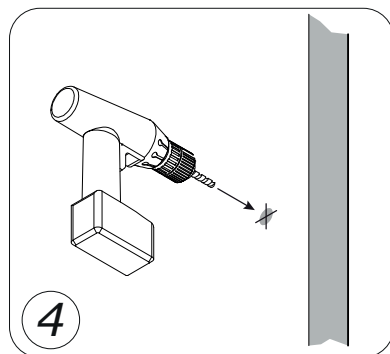
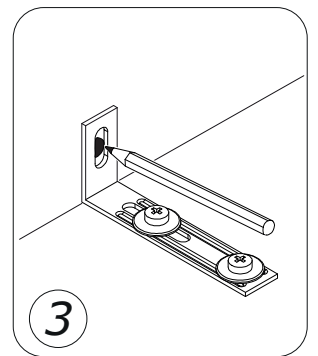
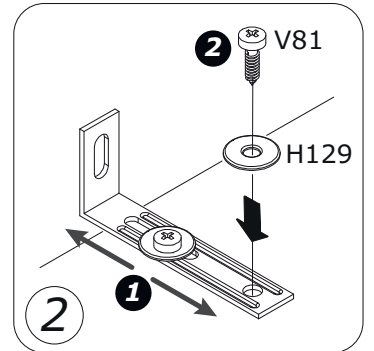
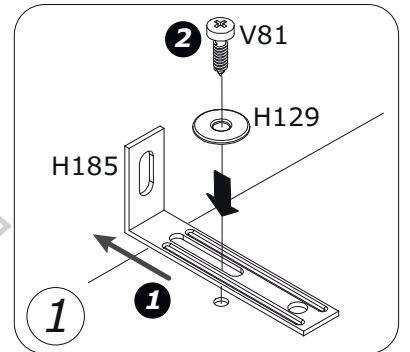
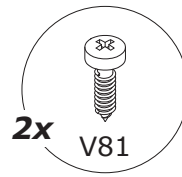
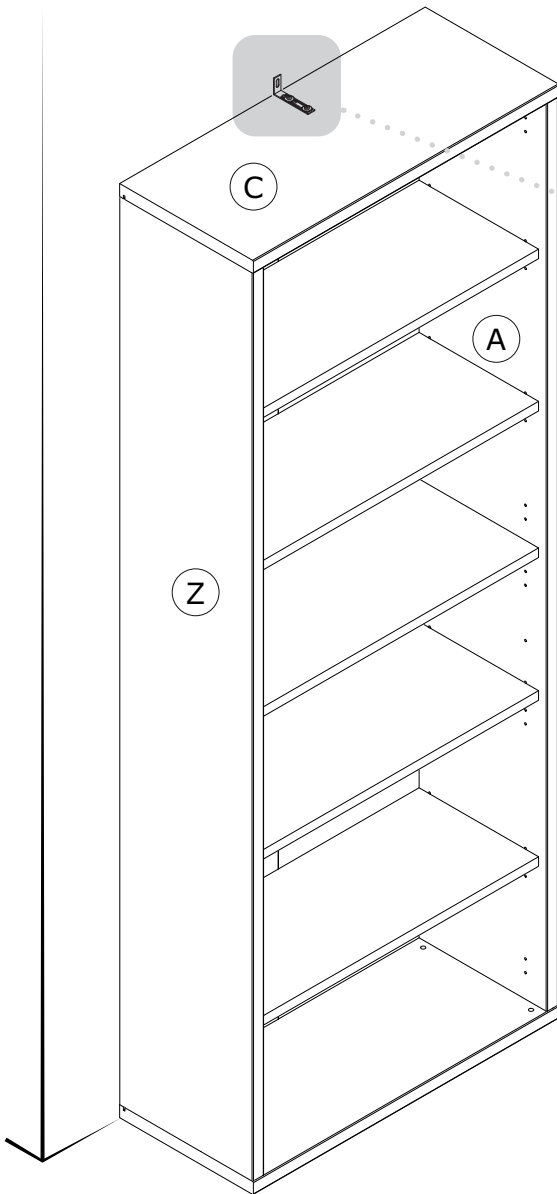


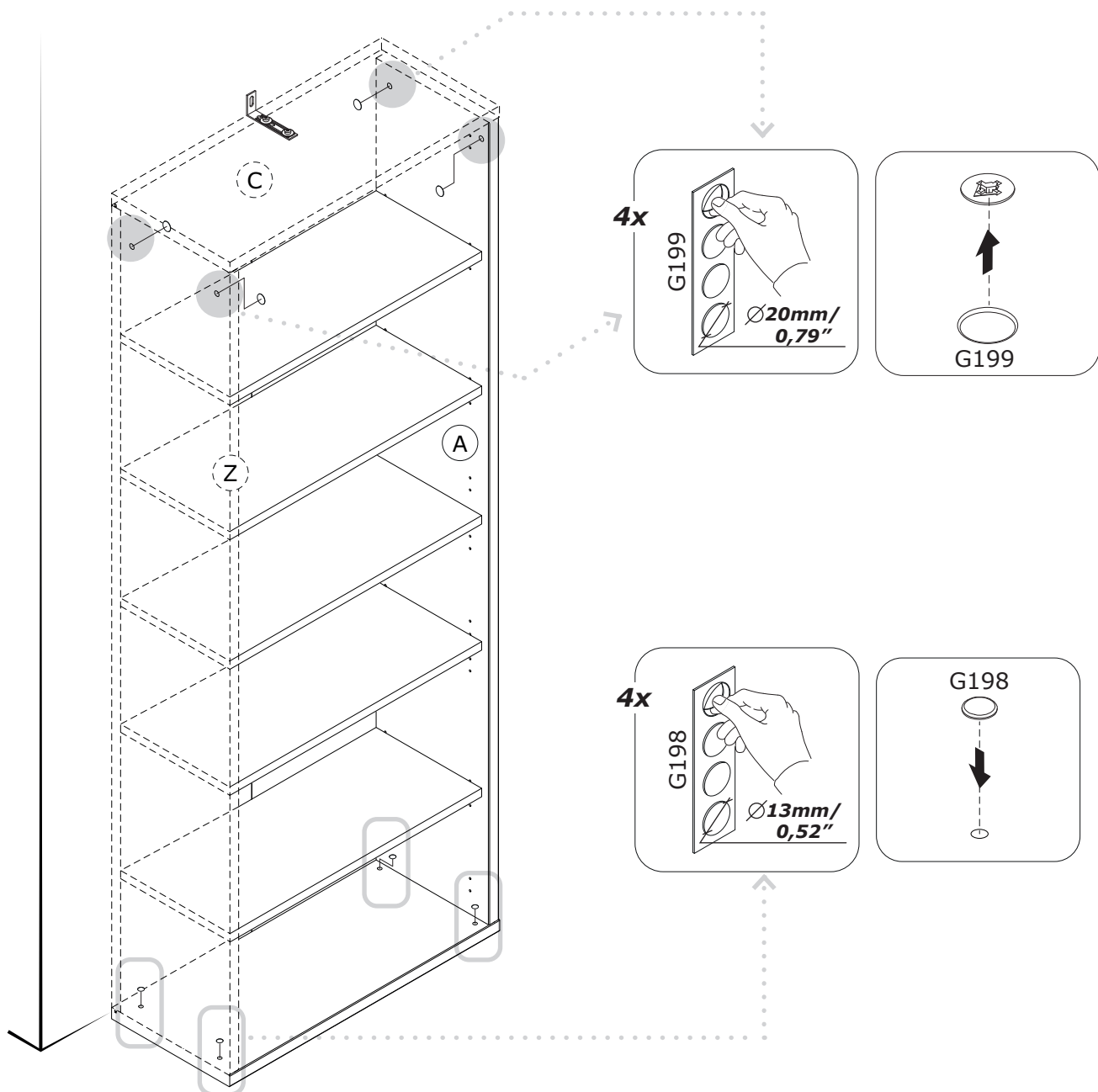
IT IS RECOMMENDED THAT THE ANTI-TIP KIT INCLUDED WITH THIS PRODUCT BE INSTALLED FOR ADDED SAFETY AND STABILITY.

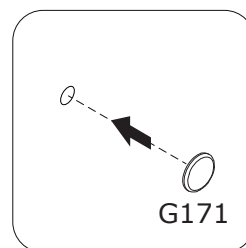
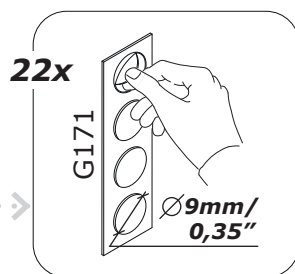
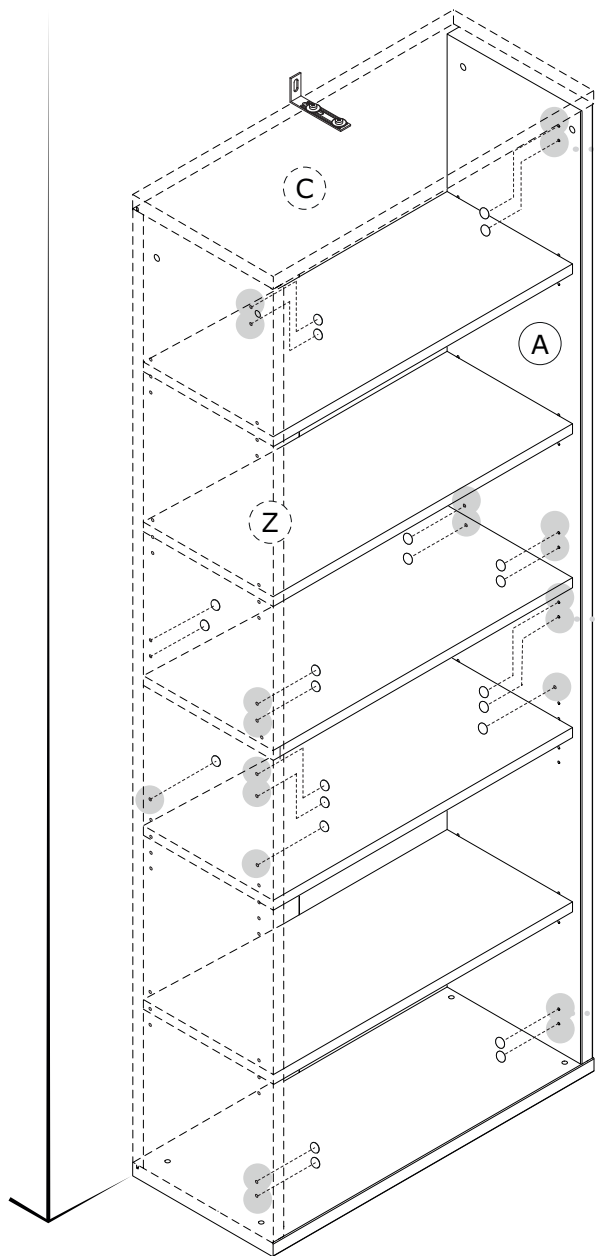
IT IS ESSENTIAL TO USE WALL ANCHORS APPROPRIATE FOR YOUR WALL TYPE (I.E. PLASTER, DRY-WALL, CONCRETE, ETC.), ALONG WITH APPROPRIATE SCREWS, FOR PROPER MOUNTING.

THE SCREWS INCLUDED IN THIS ANTI-TIP KIT MAY NOT BE SUITED FOR ALL WALL TYPES. MOUNTING TO WOOD STUDS IS RECOMMENDED.

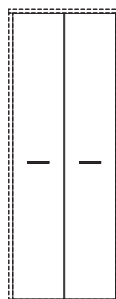
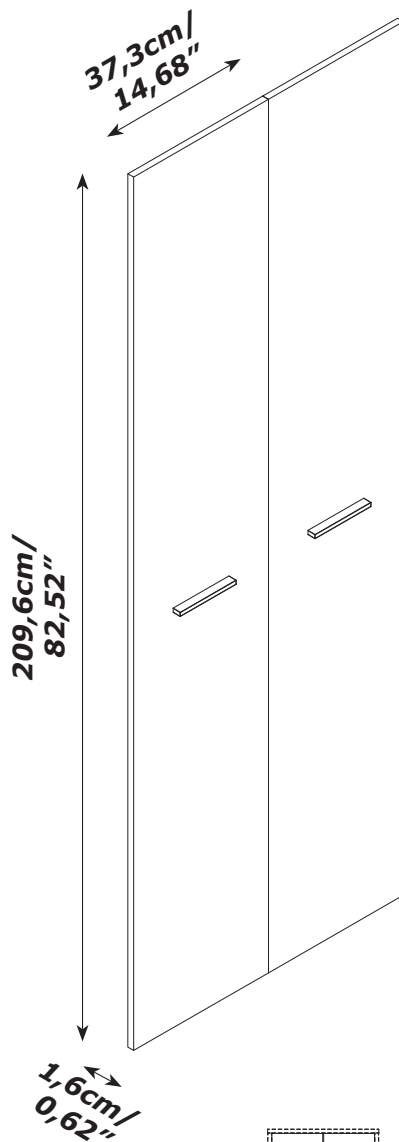
CONSULT A QUALIFIED PROFESSIONAL OR YOUR LOCAL HARDWARE STORE FOR APPROPRIATE MOUNTING HARDWARE SUITED FOR YOUR SPECIFIC WALL MEDIUM.



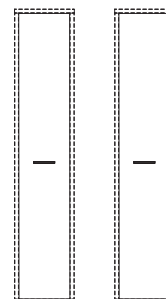




# AN4869B80305

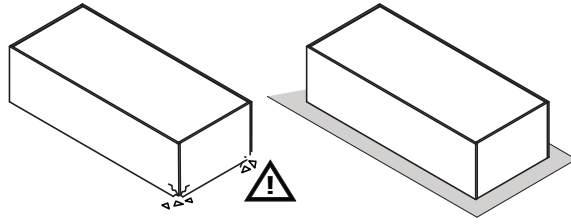
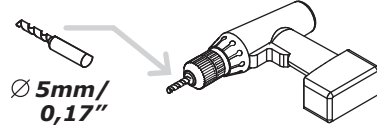
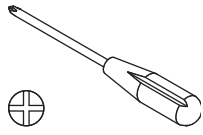
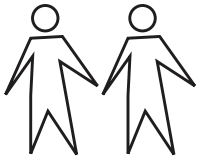


**A**

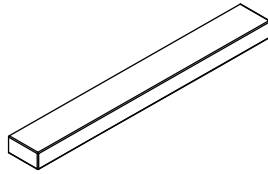


**B**

QF5962



**BU4891**

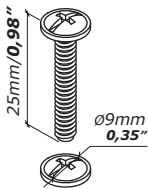


**M203**  
x2

**BU4892**



**H113**  
x10

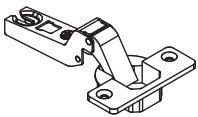


**V137**  
x4

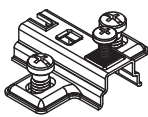


**G171**  
x4

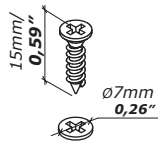
**BU3379 x2**



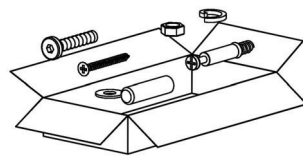
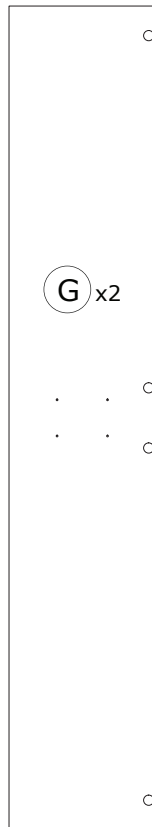
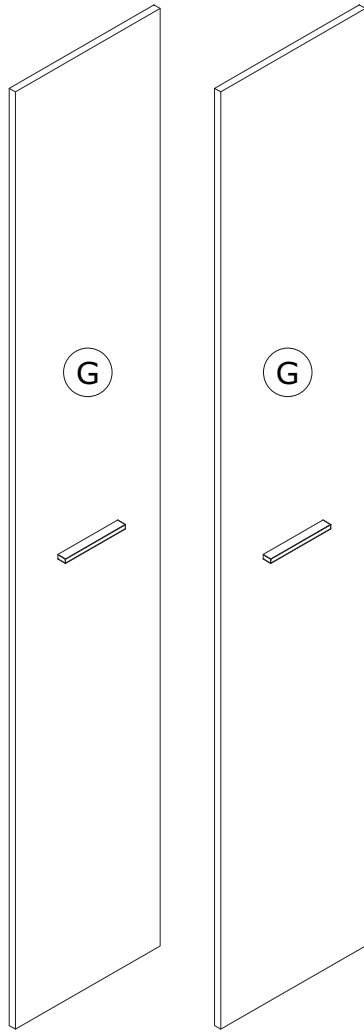
**C55**  
x8



**B23**  
x8



**V5**  
x16

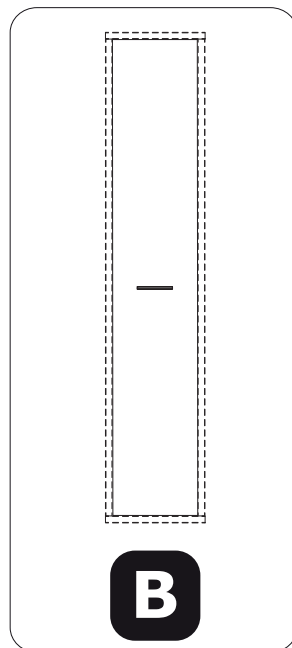
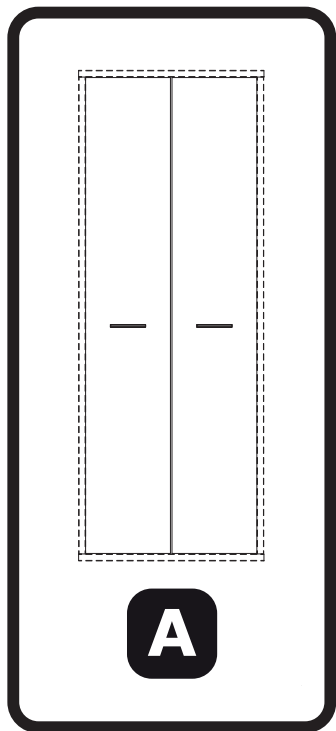
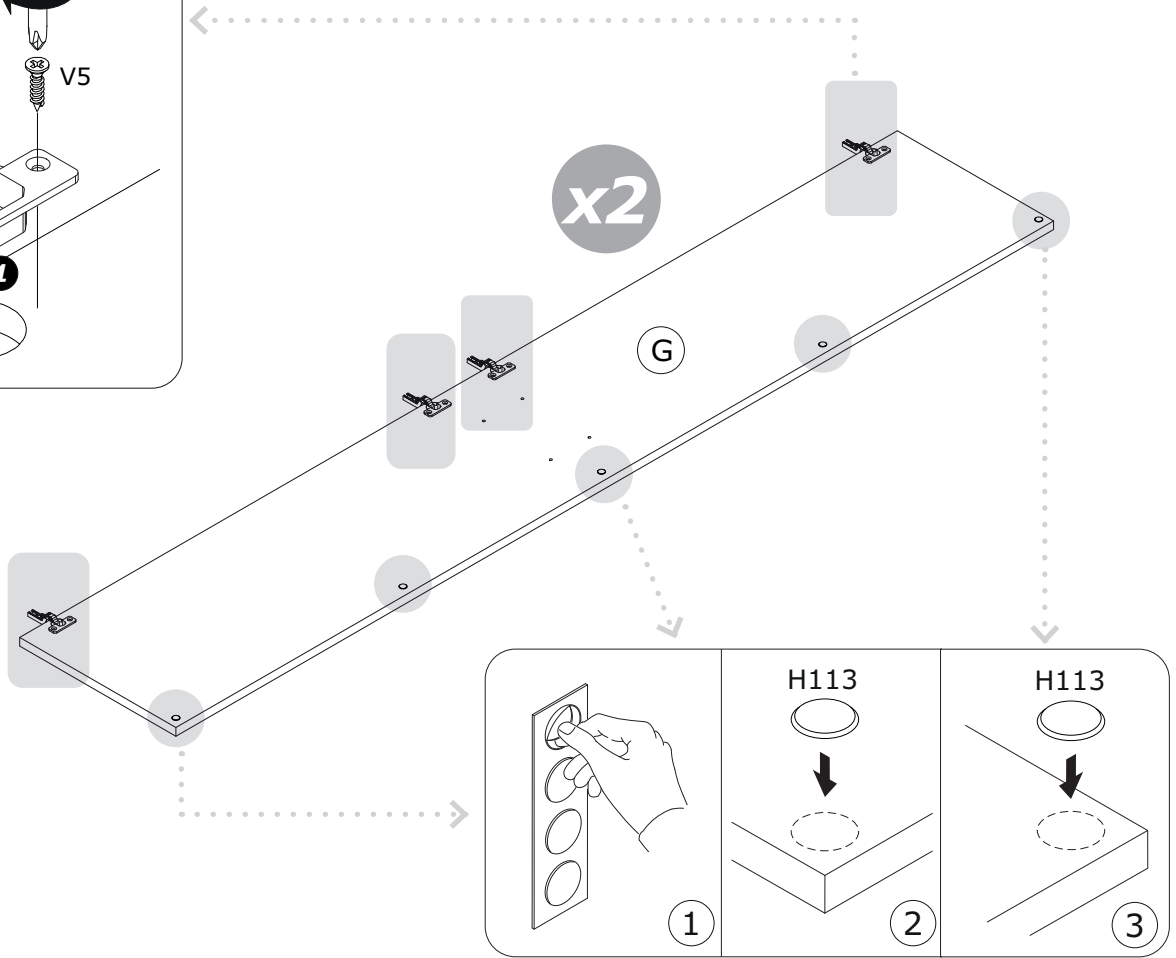
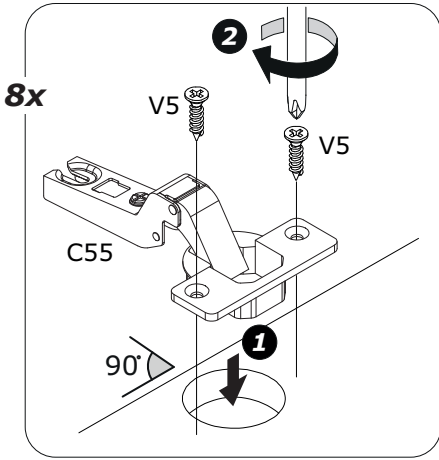
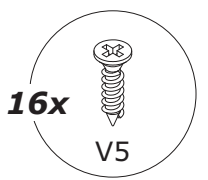
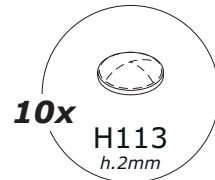
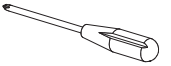


**AN3279**  
2096x373x16mm/  
**82,52"x14,68"x0,63"**

1

A

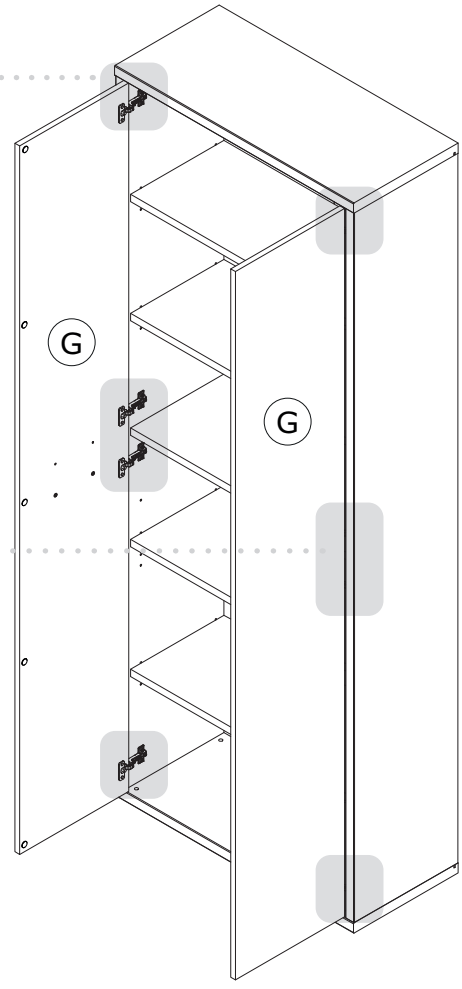
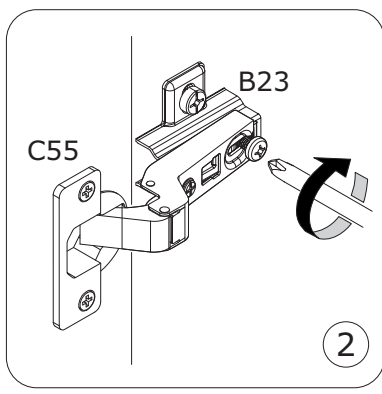
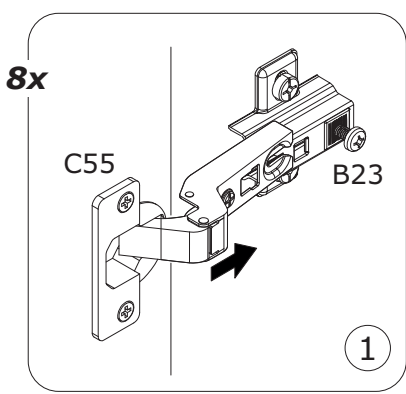
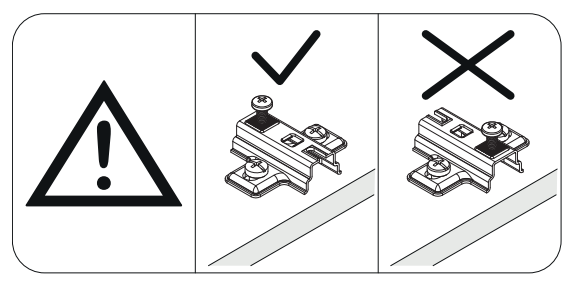
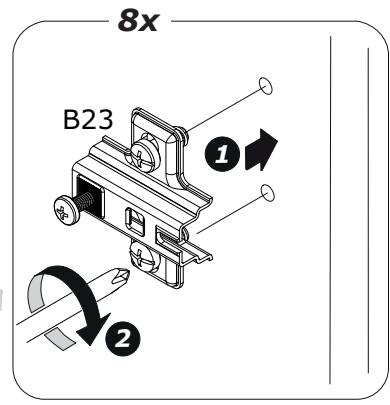
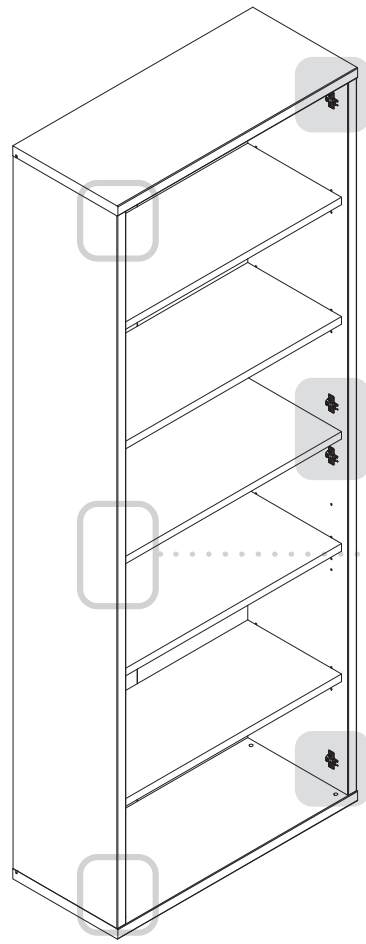
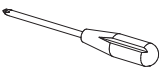
B





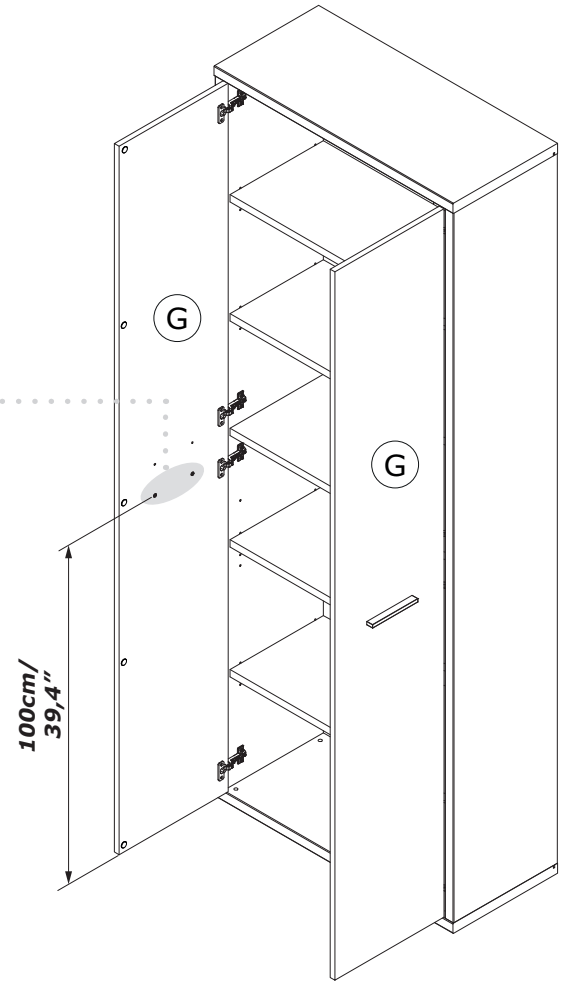
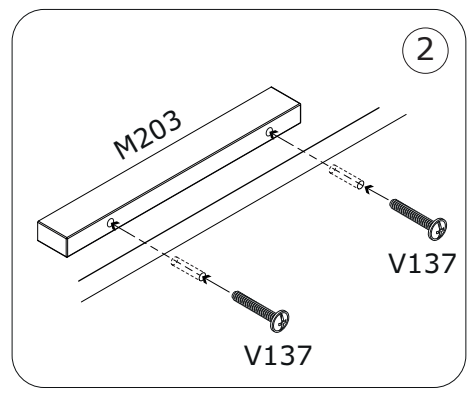
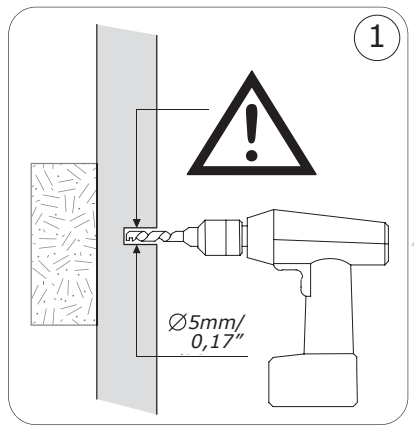
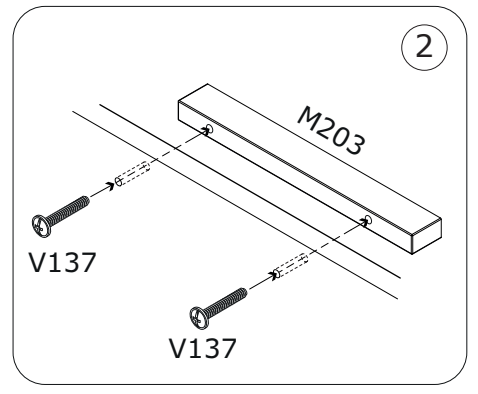
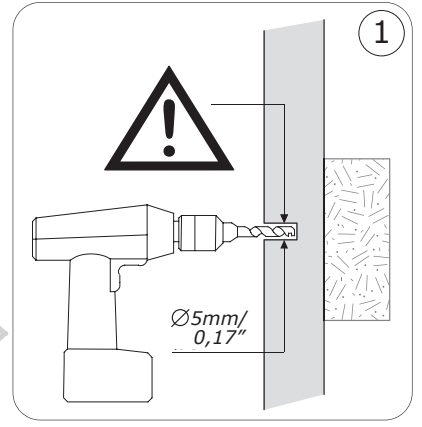
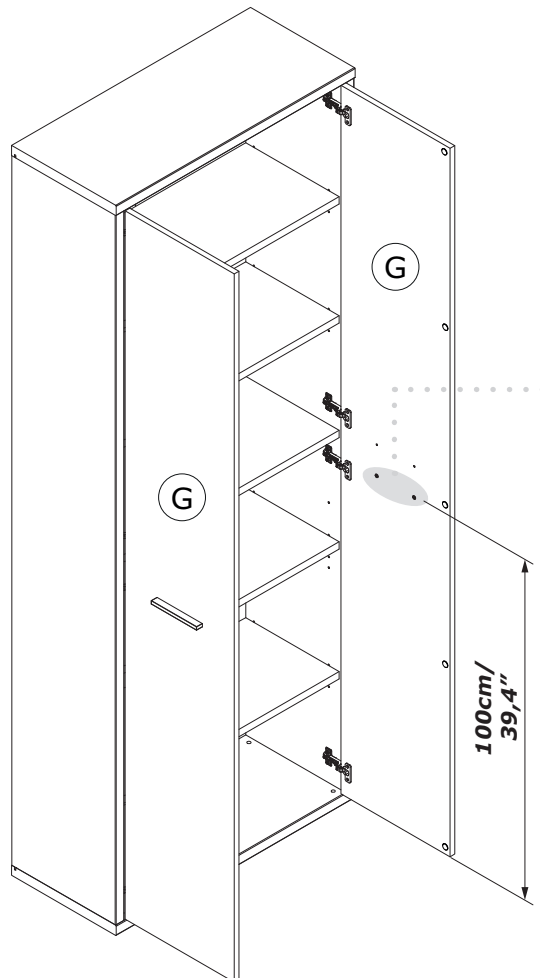
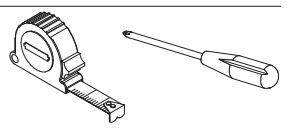
2

A



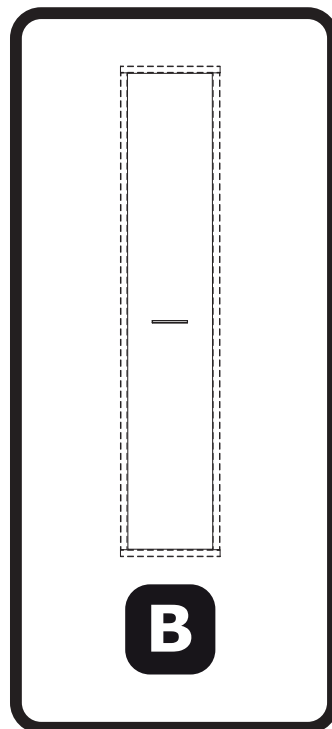
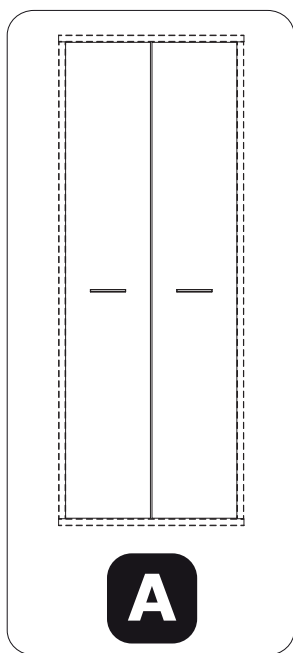
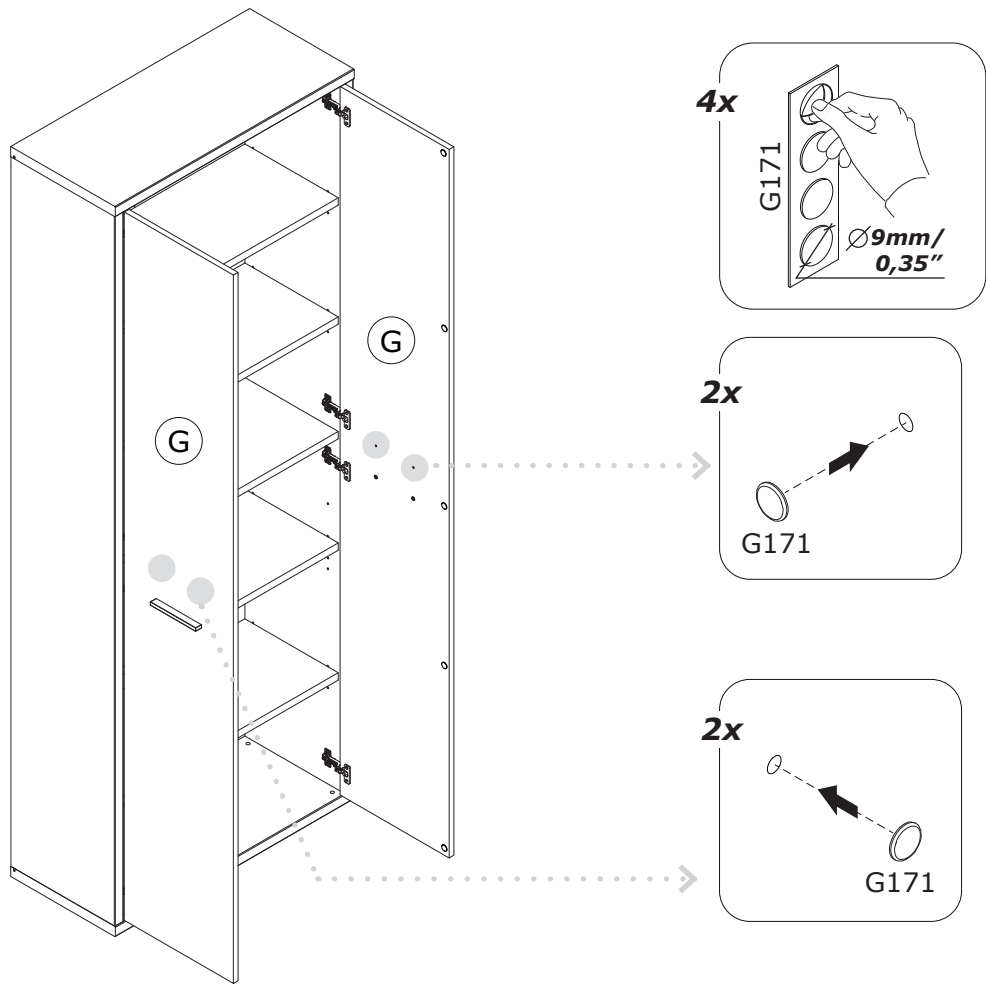
3

A

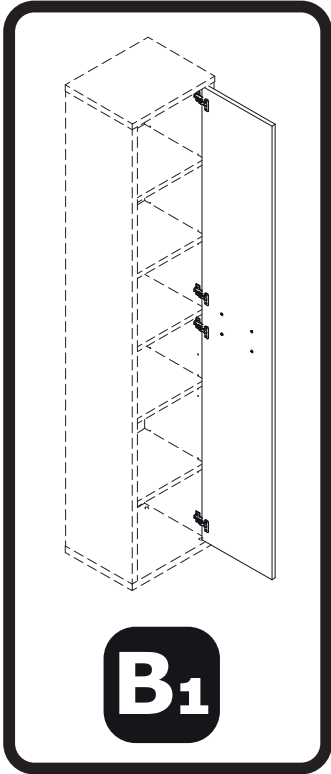


4

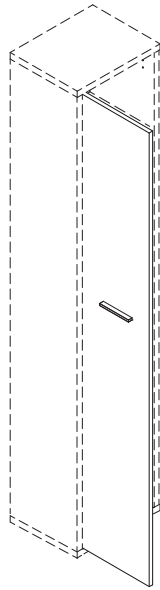
**A**



# B



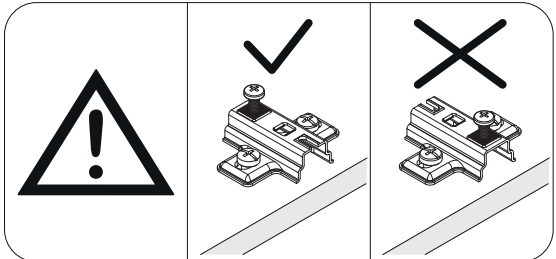
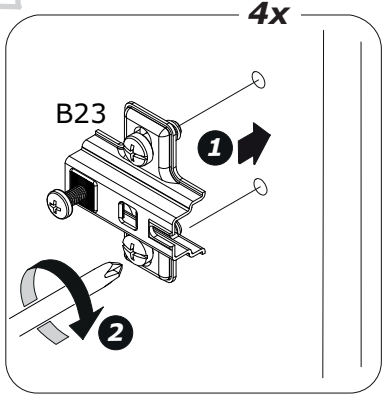
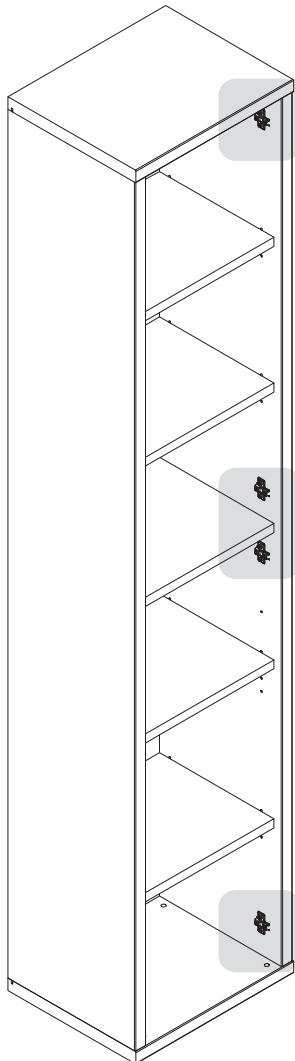
## B1



## B2

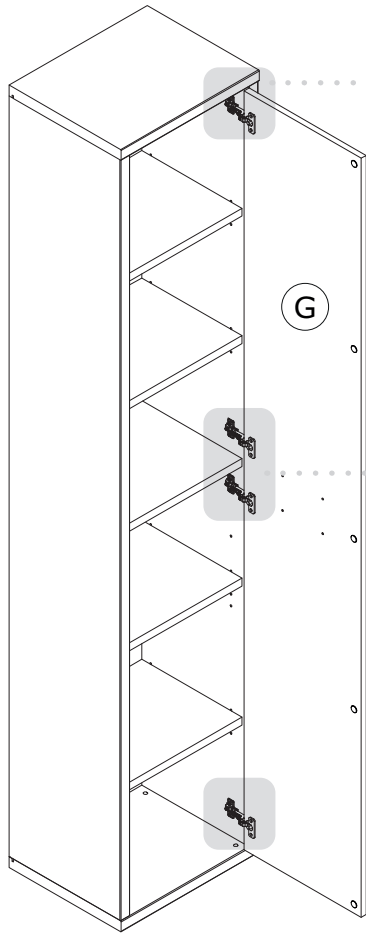
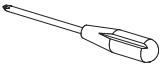
# 5

## B1

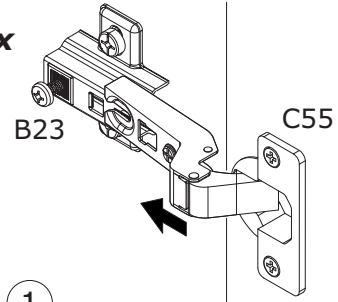


6

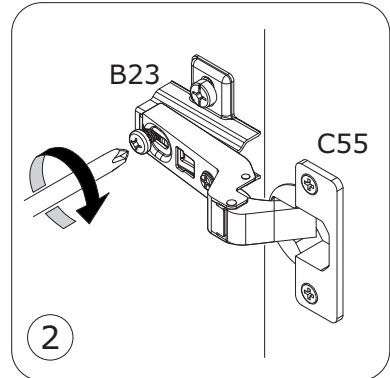
**B<sub>1</sub>**



4x



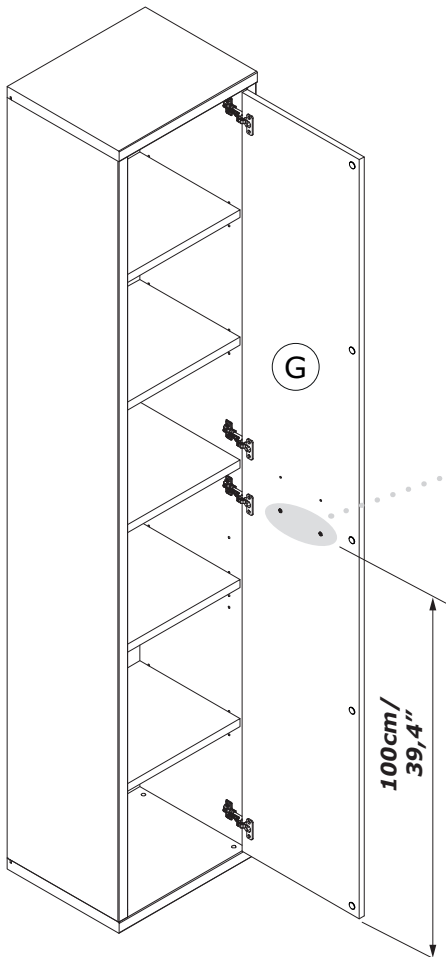
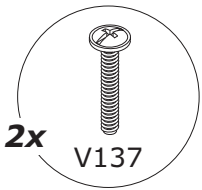
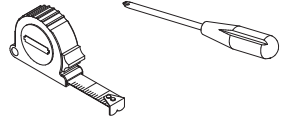
1



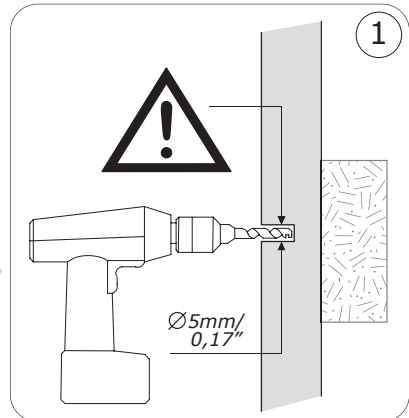
2

7

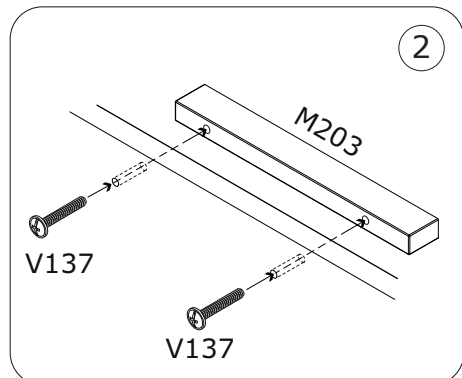
**B<sub>1</sub>**



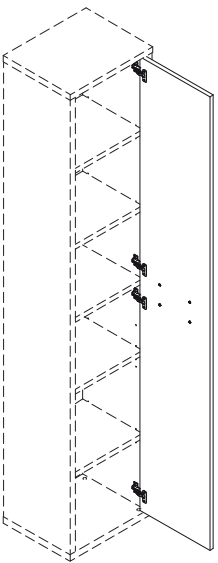
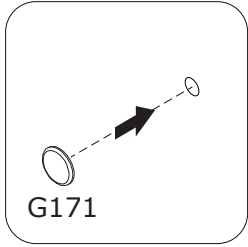
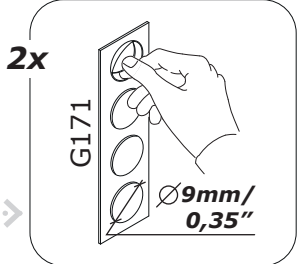
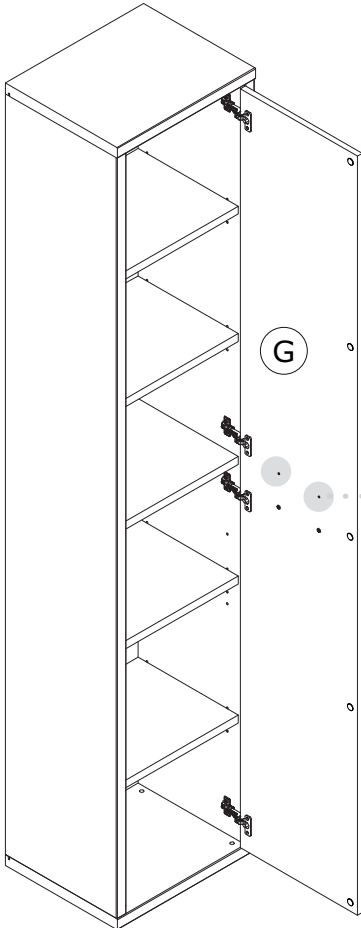
1



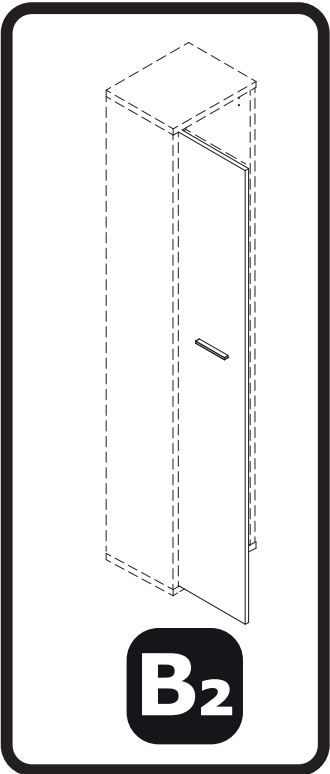
2



**B<sub>1</sub>**



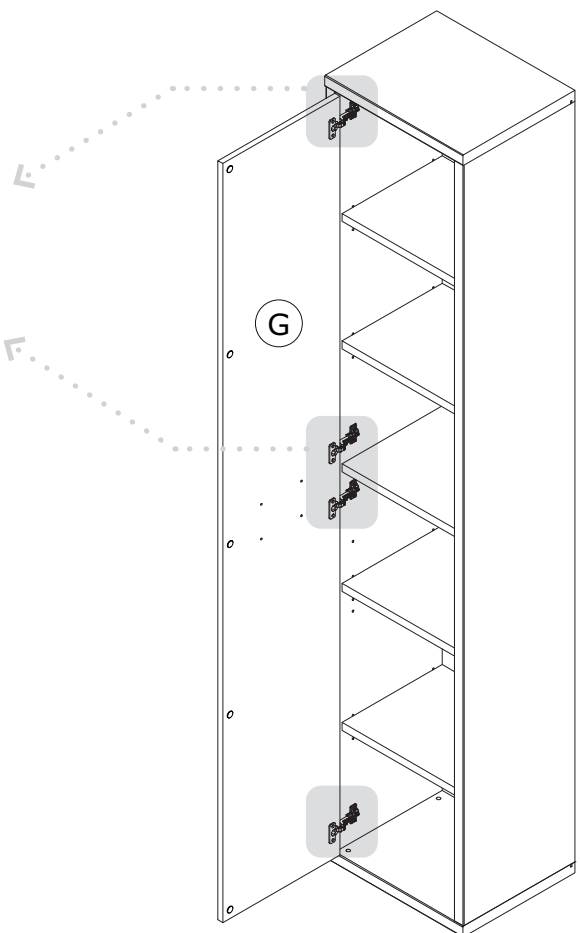
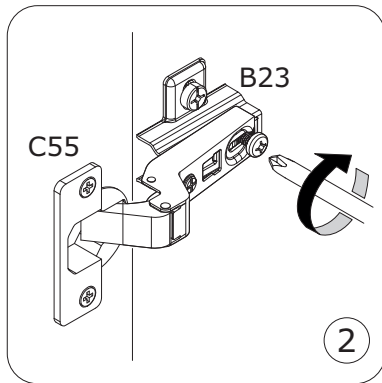
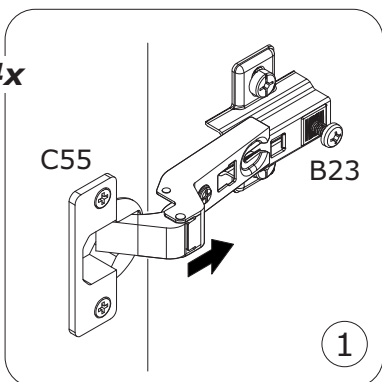
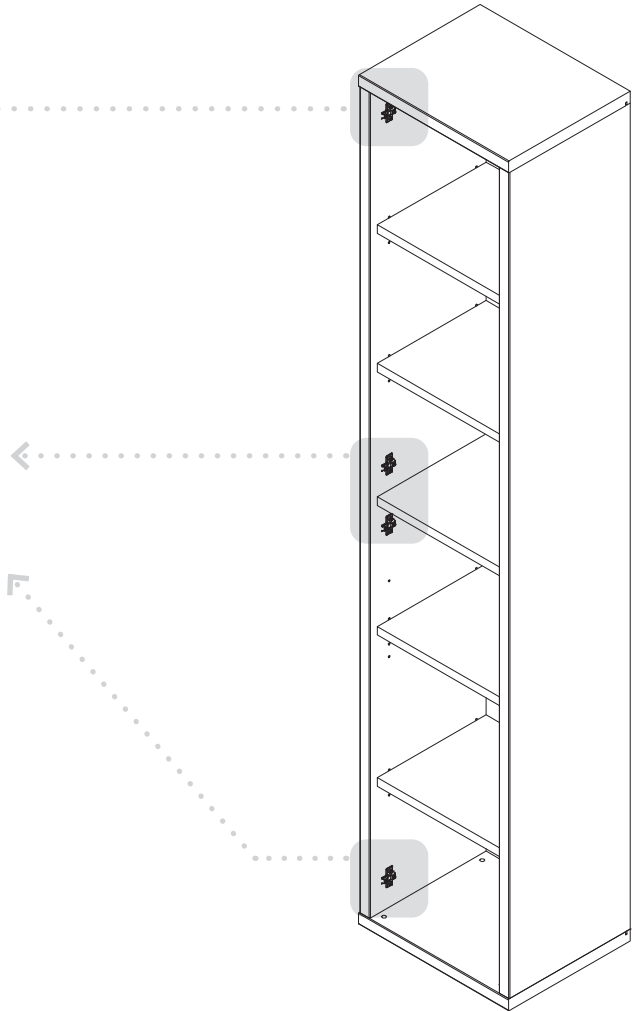
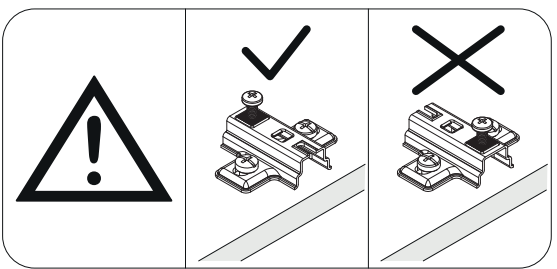
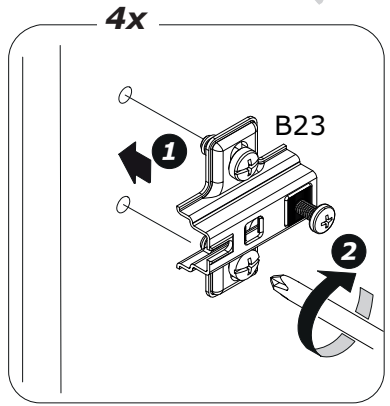
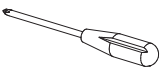
**B<sub>1</sub>**



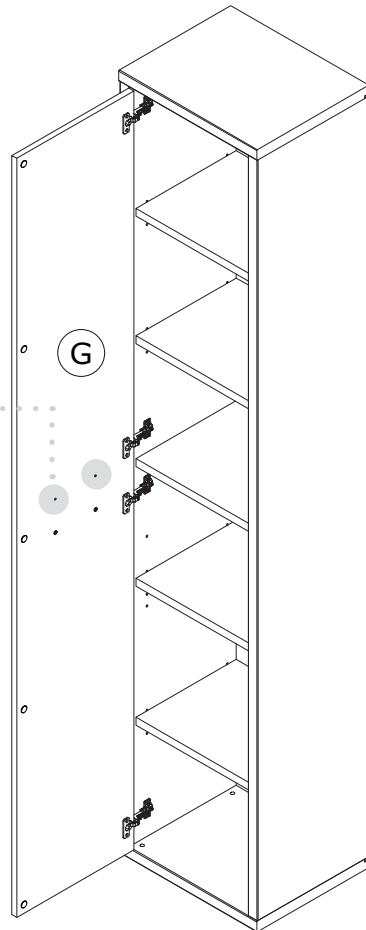
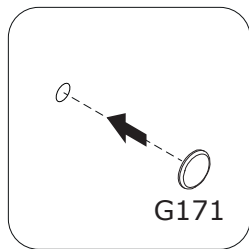
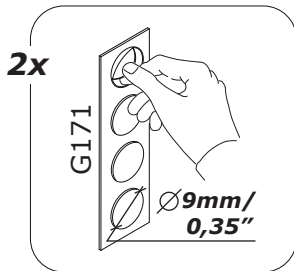
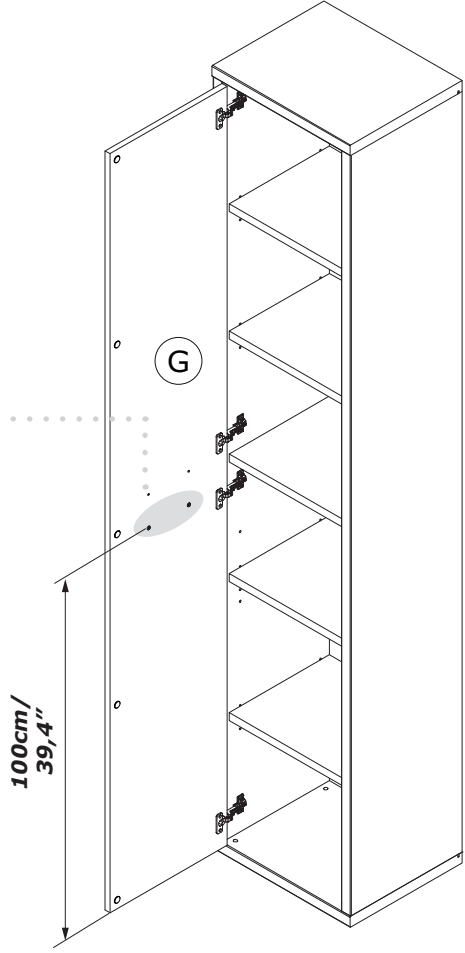
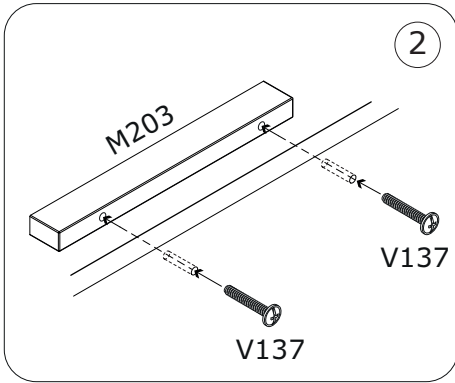
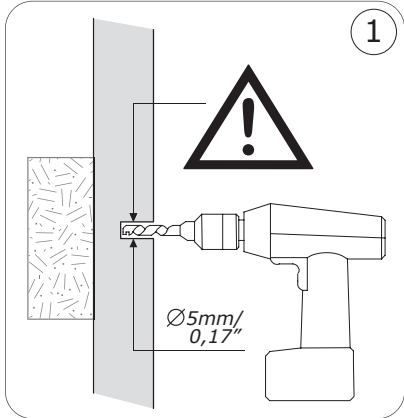
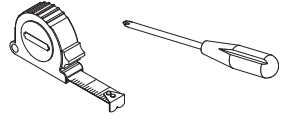
**B<sub>2</sub>**

9

B<sub>2</sub>



B<sub>2</sub>





# A B

