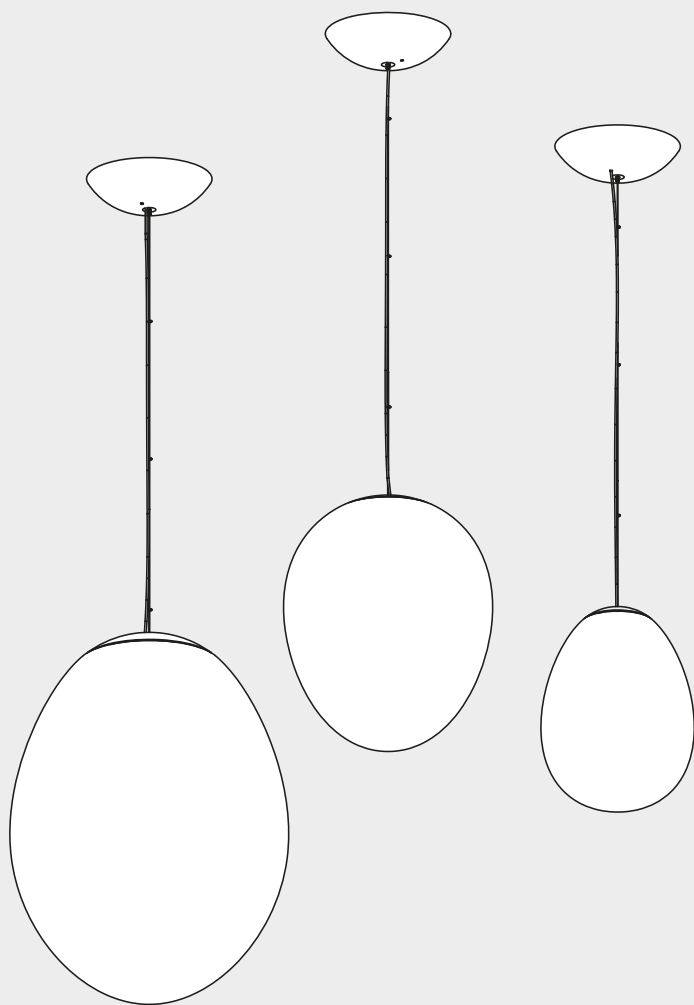


# Artemide®

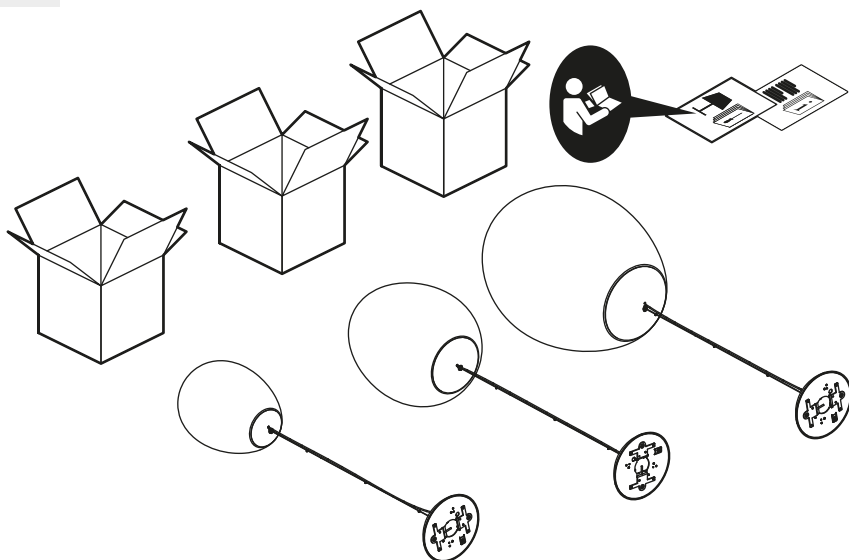
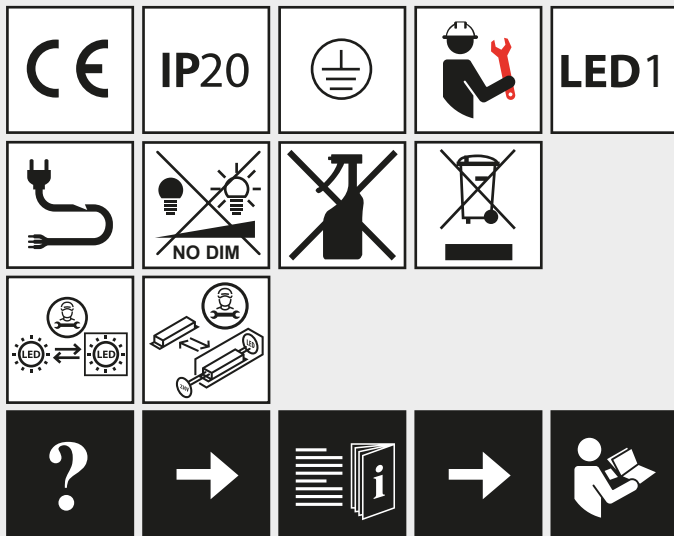
## STELLAR NEBULA

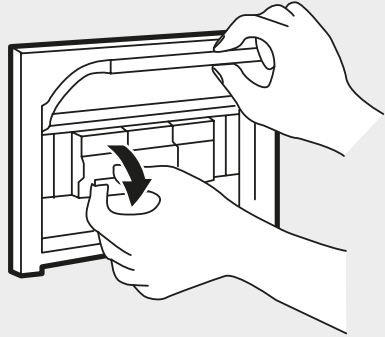
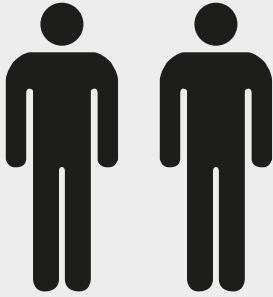
design  
BIG



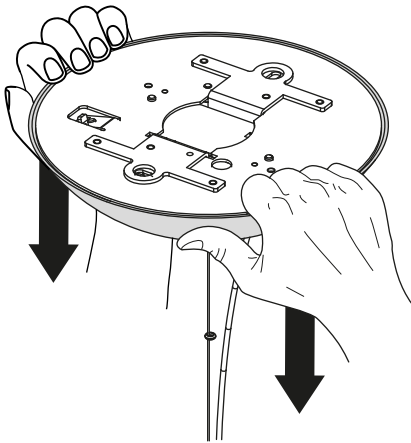


i

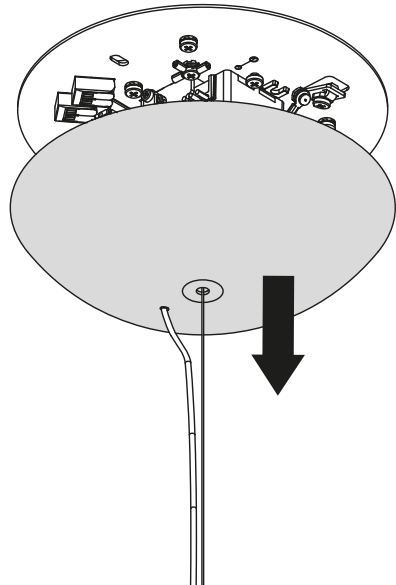




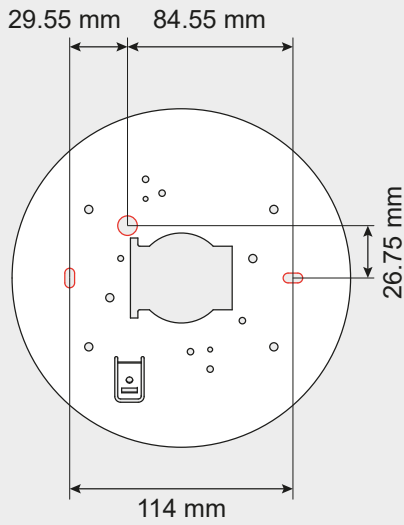
1



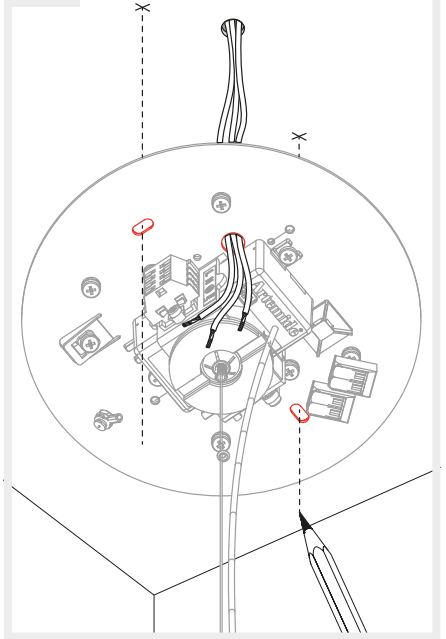
2



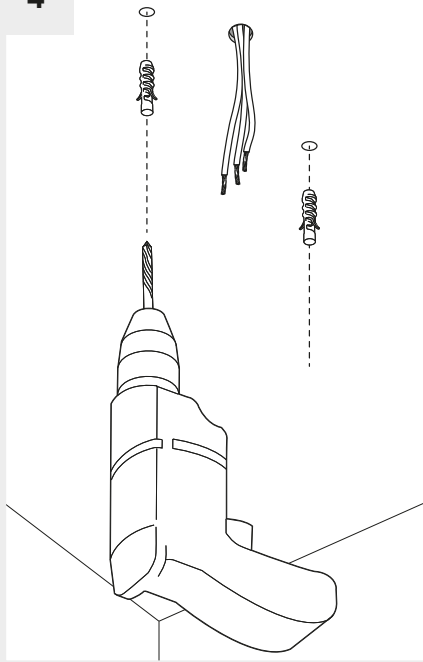
**i**



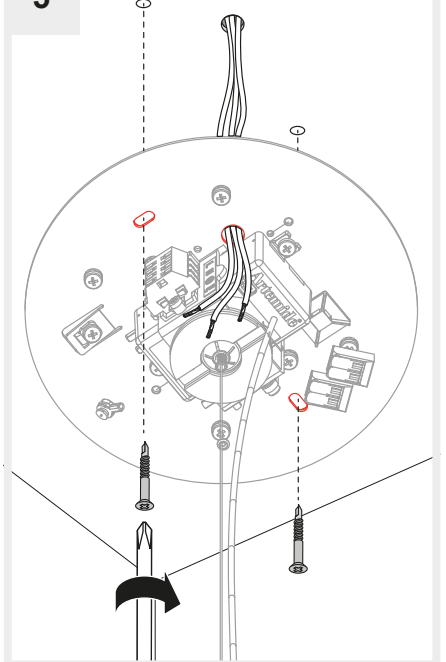
**3**



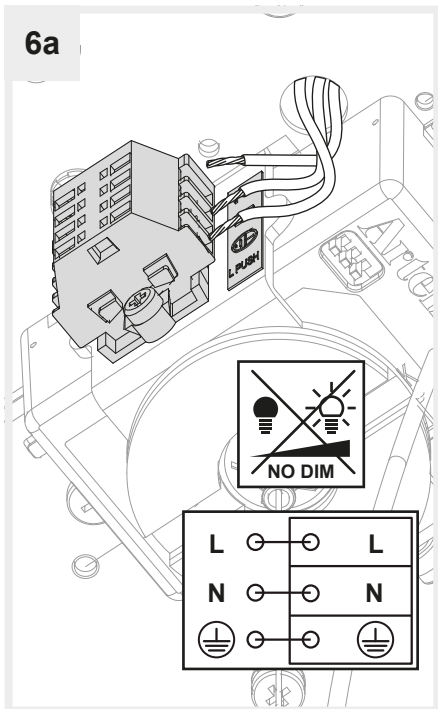
**4**



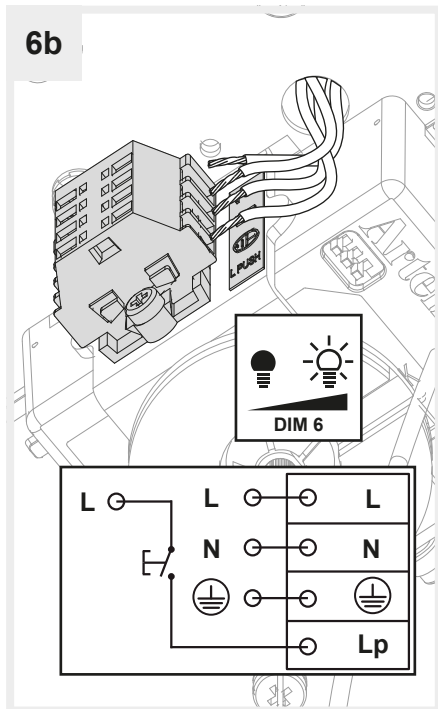
**5**



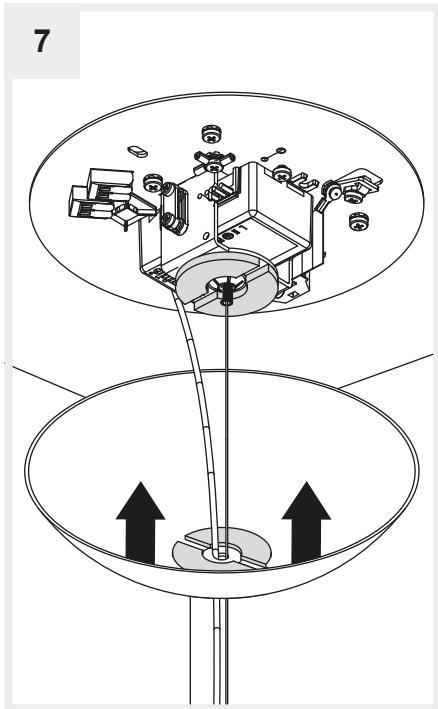
6a



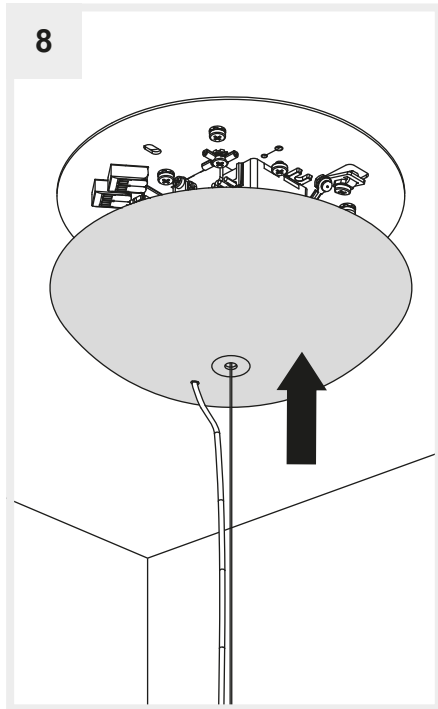
6b

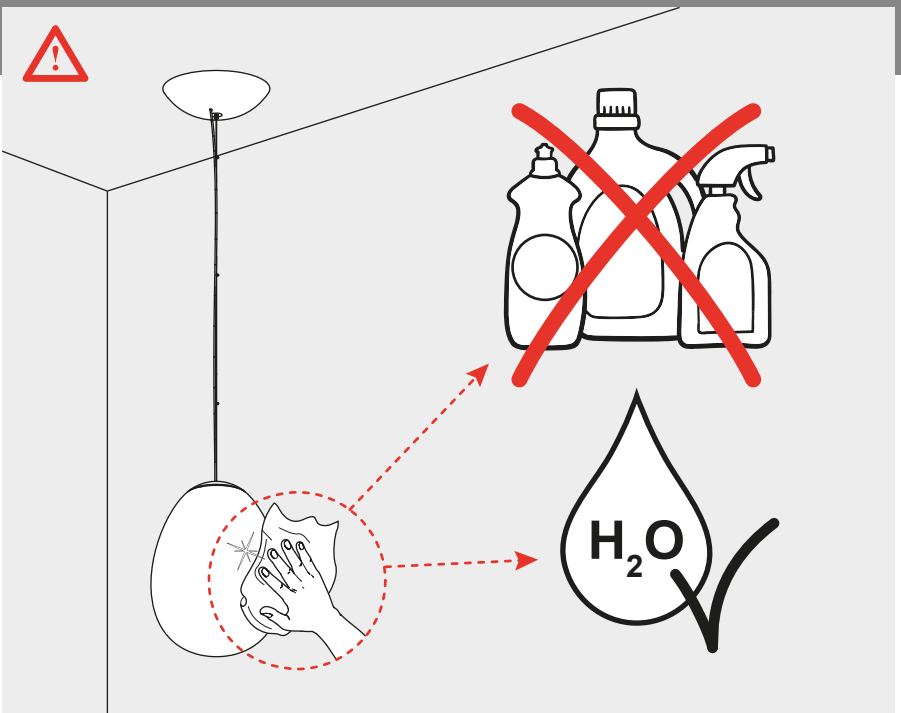
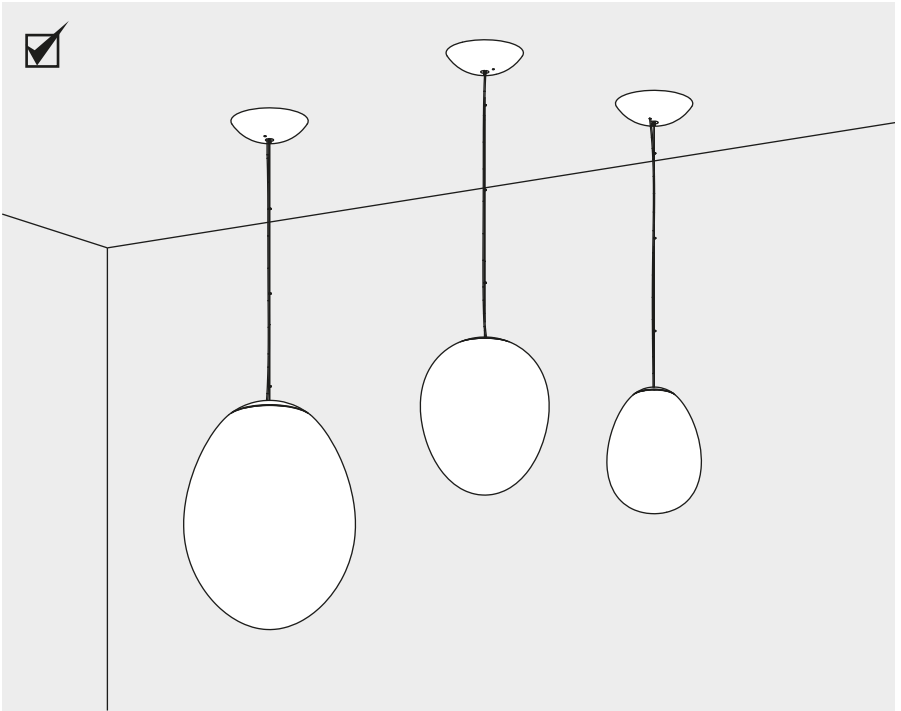


7



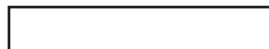
8







**Artemide®**



**Artemide**

via Bergamo, 18  
20006 Pregnana M.se (MI)  
ITALIA

tel. +39 02 935 181  
fax +39 02 935 90 254  
fax +39 02 935 90 496

[www.artemide.com](http://www.artemide.com)

VAT IT00846890150

cod. Y513001633A