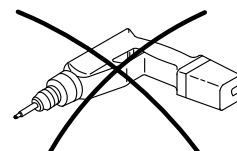
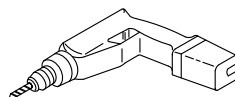
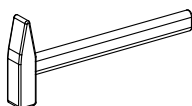
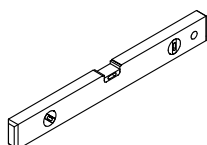
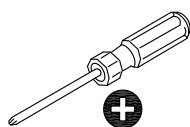
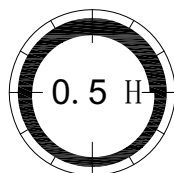
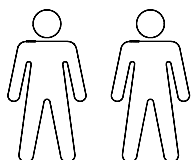
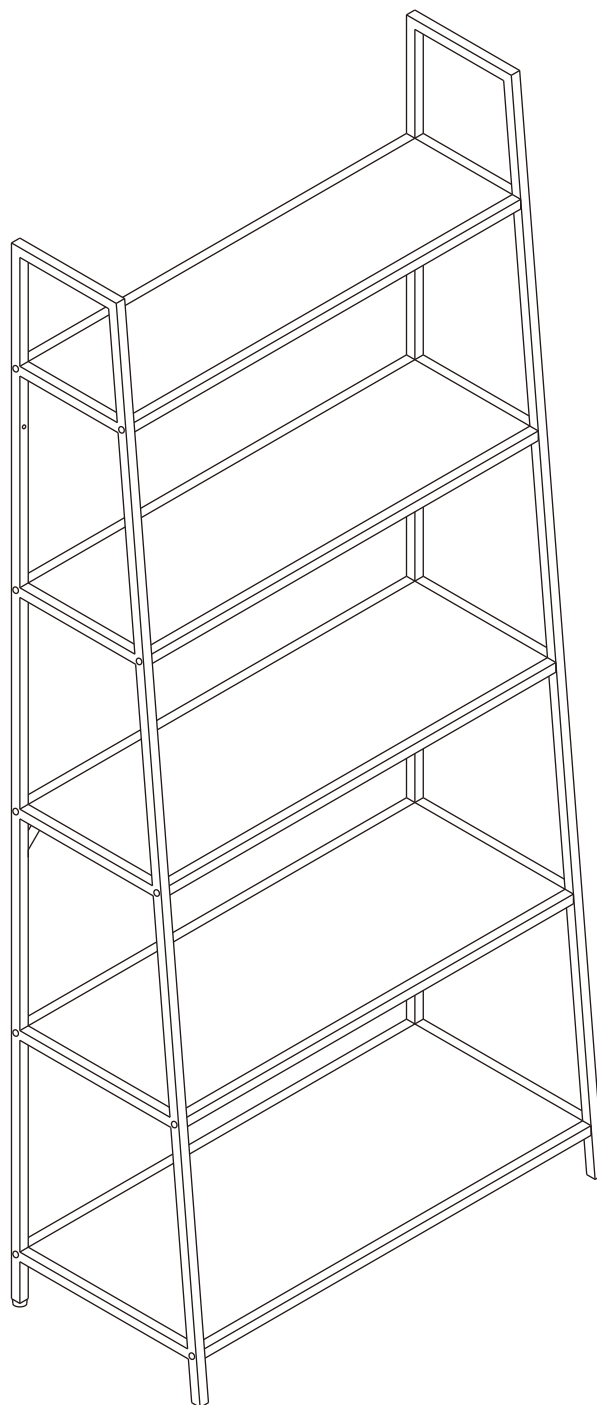
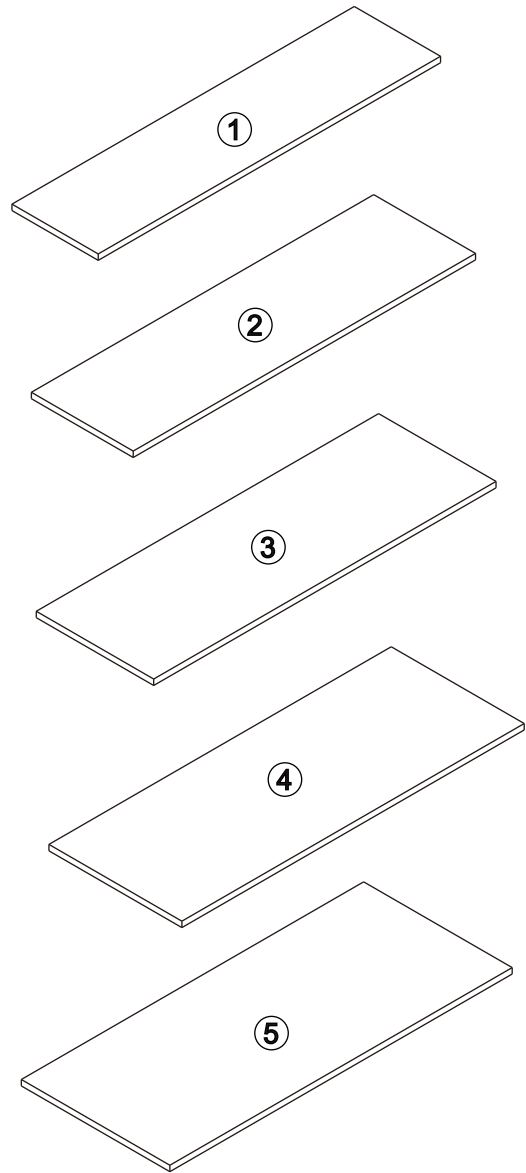
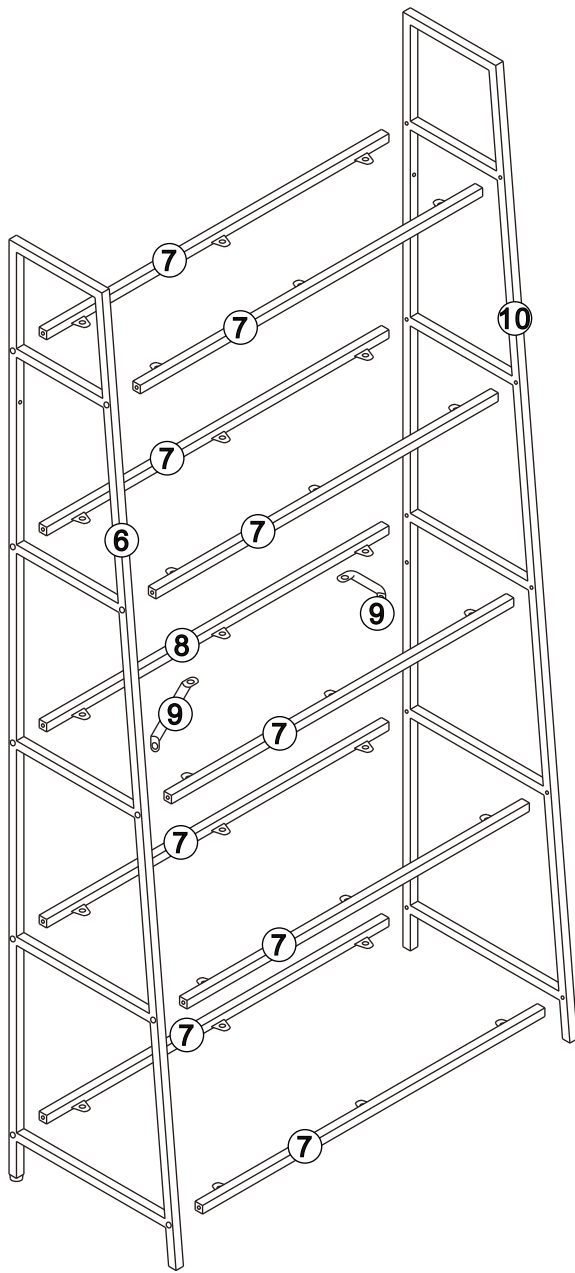
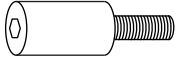
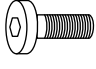
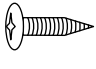



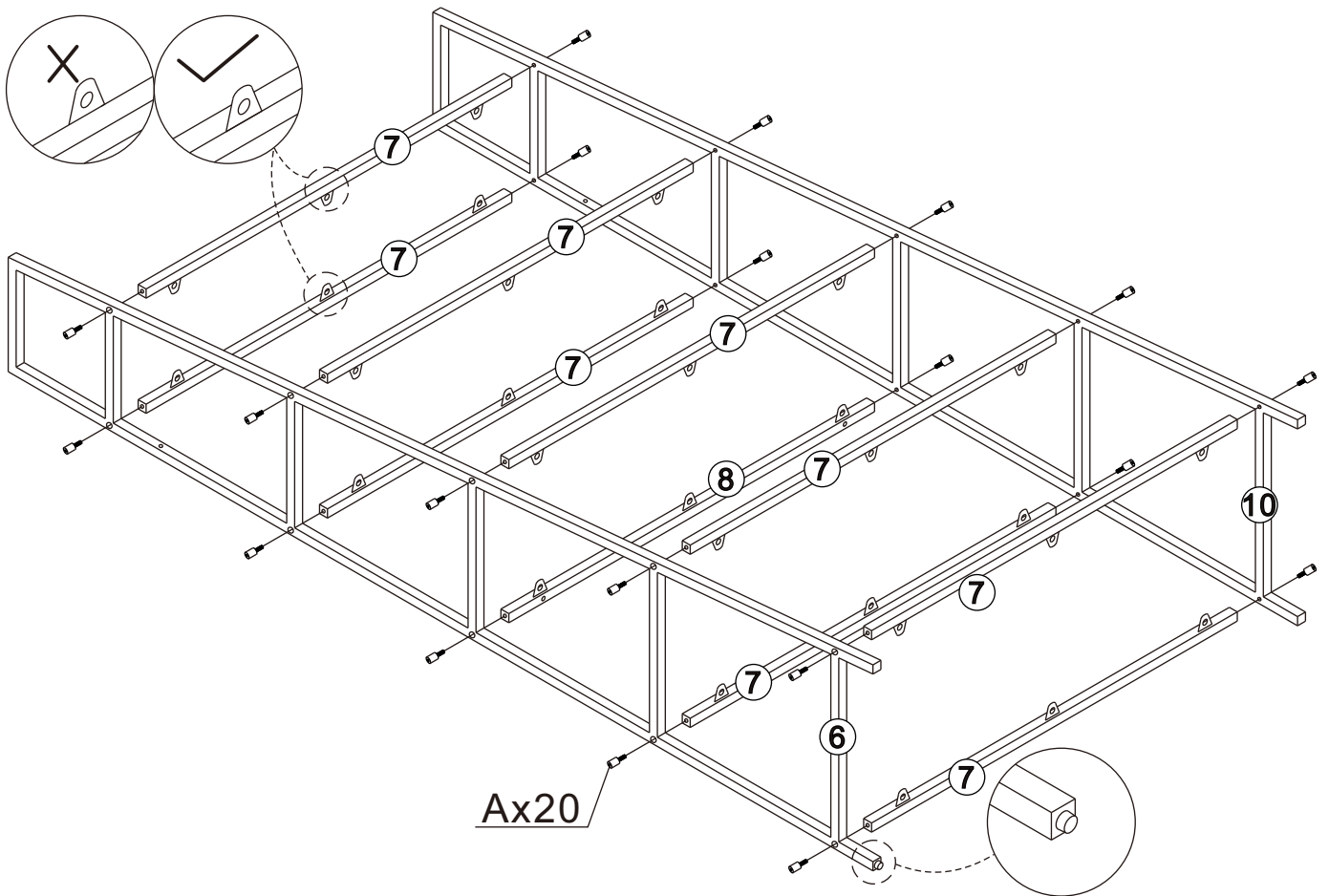
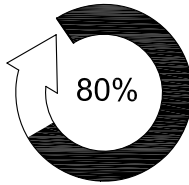
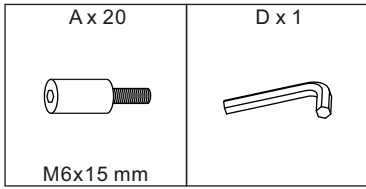
SEAFORD



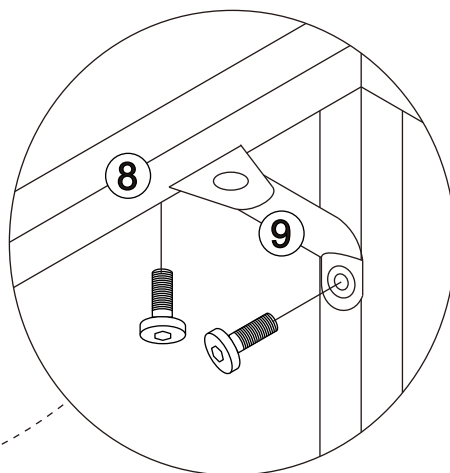
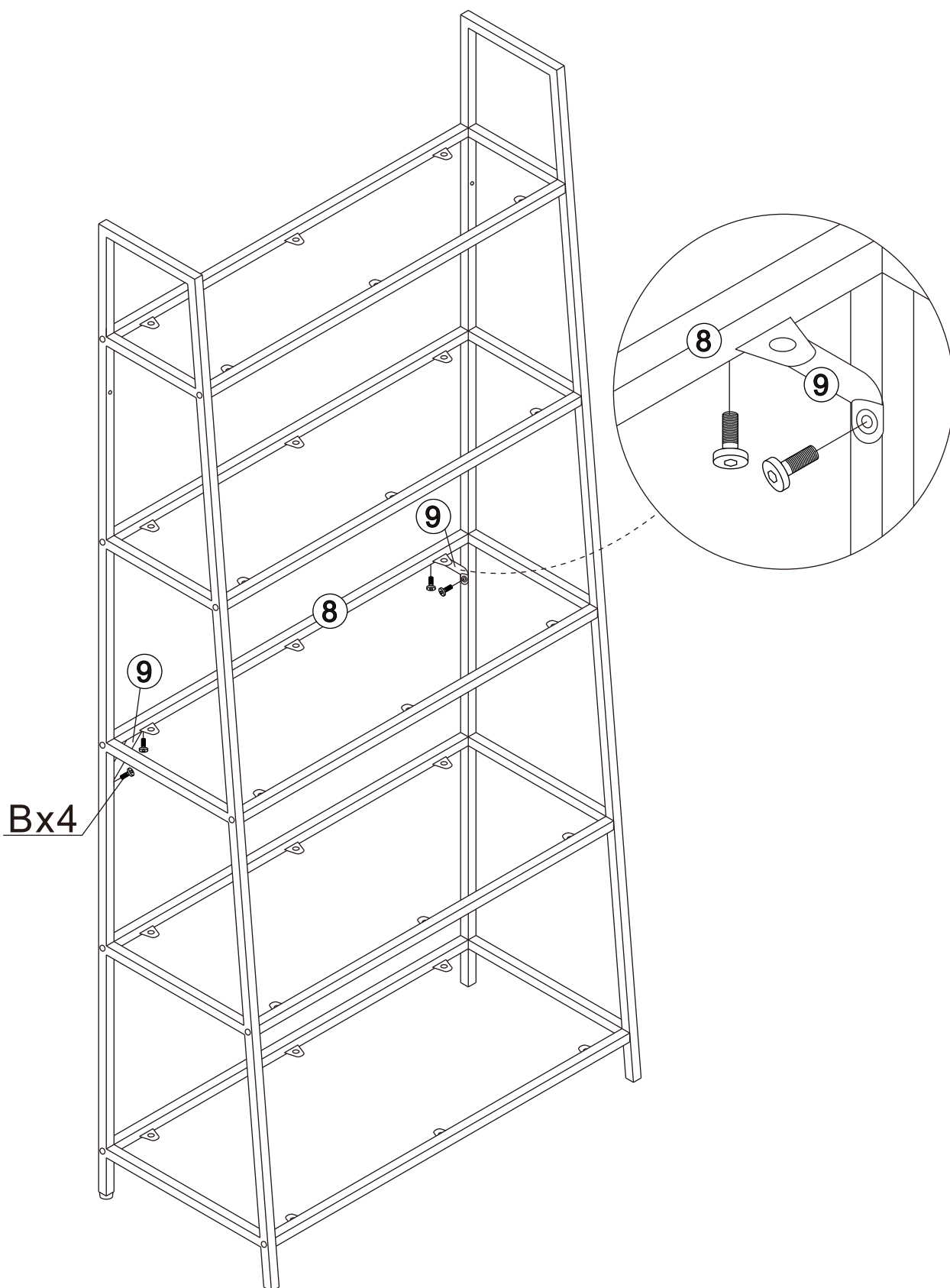
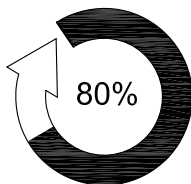
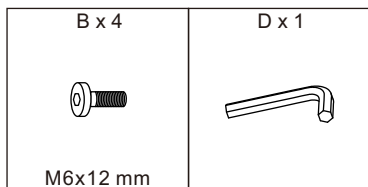


A x 20	B x 4	C x 30	D x 1
			
M6x15 mm	M6x12 mm	M4x12 mm	

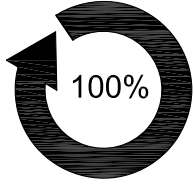
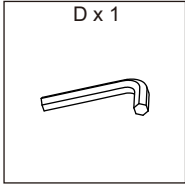
1



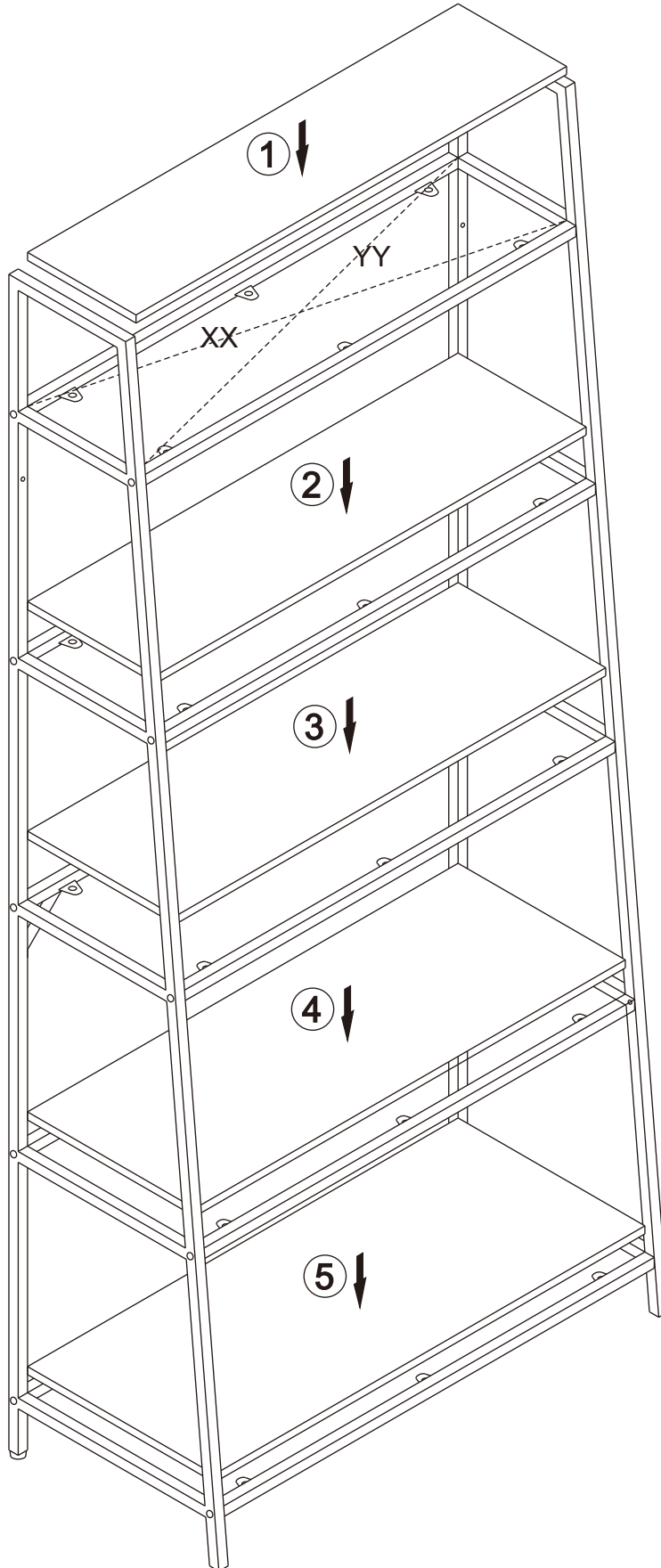
2



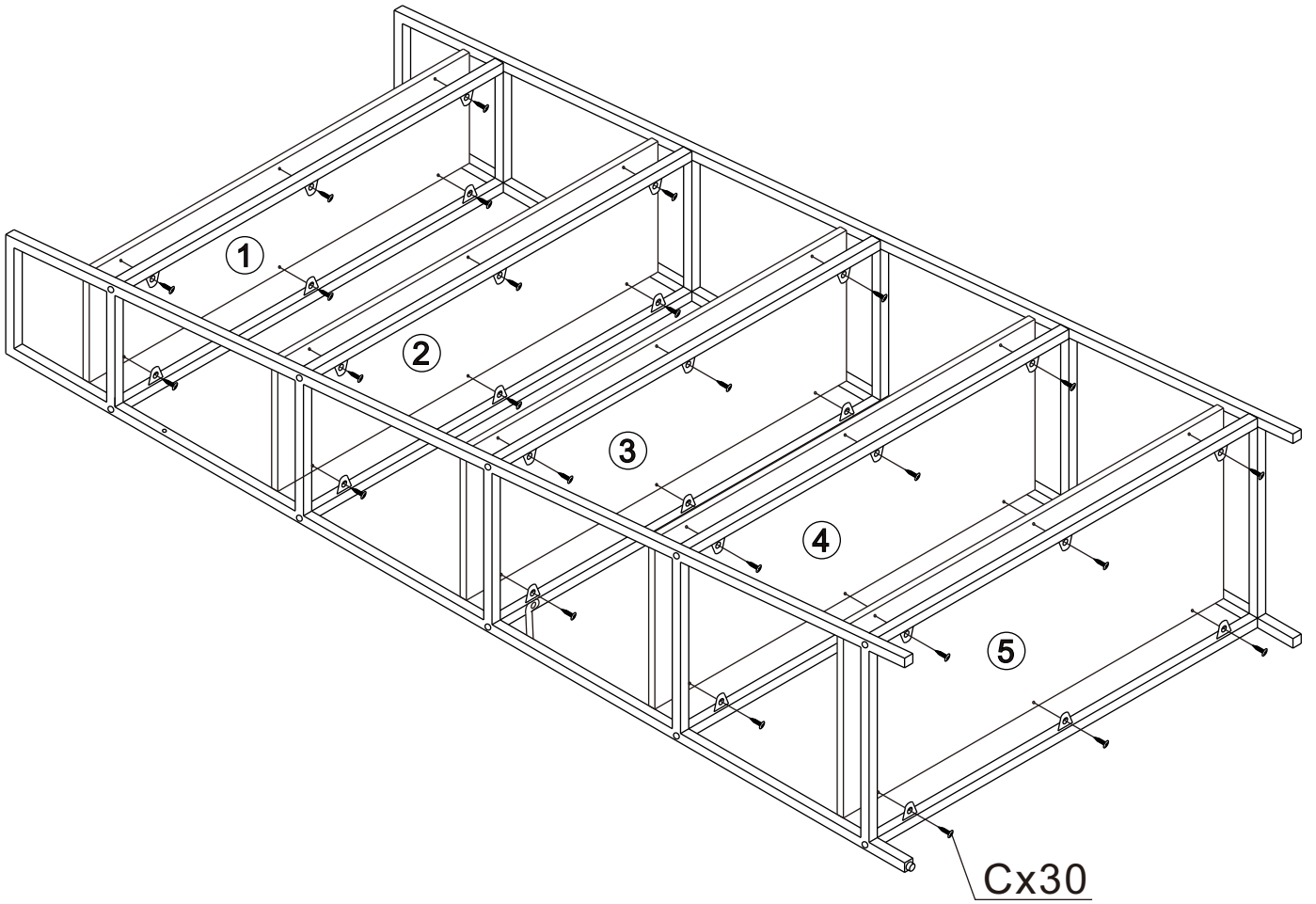
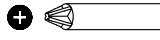
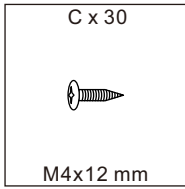
3



! XX=YY



4



5

