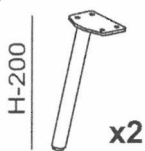


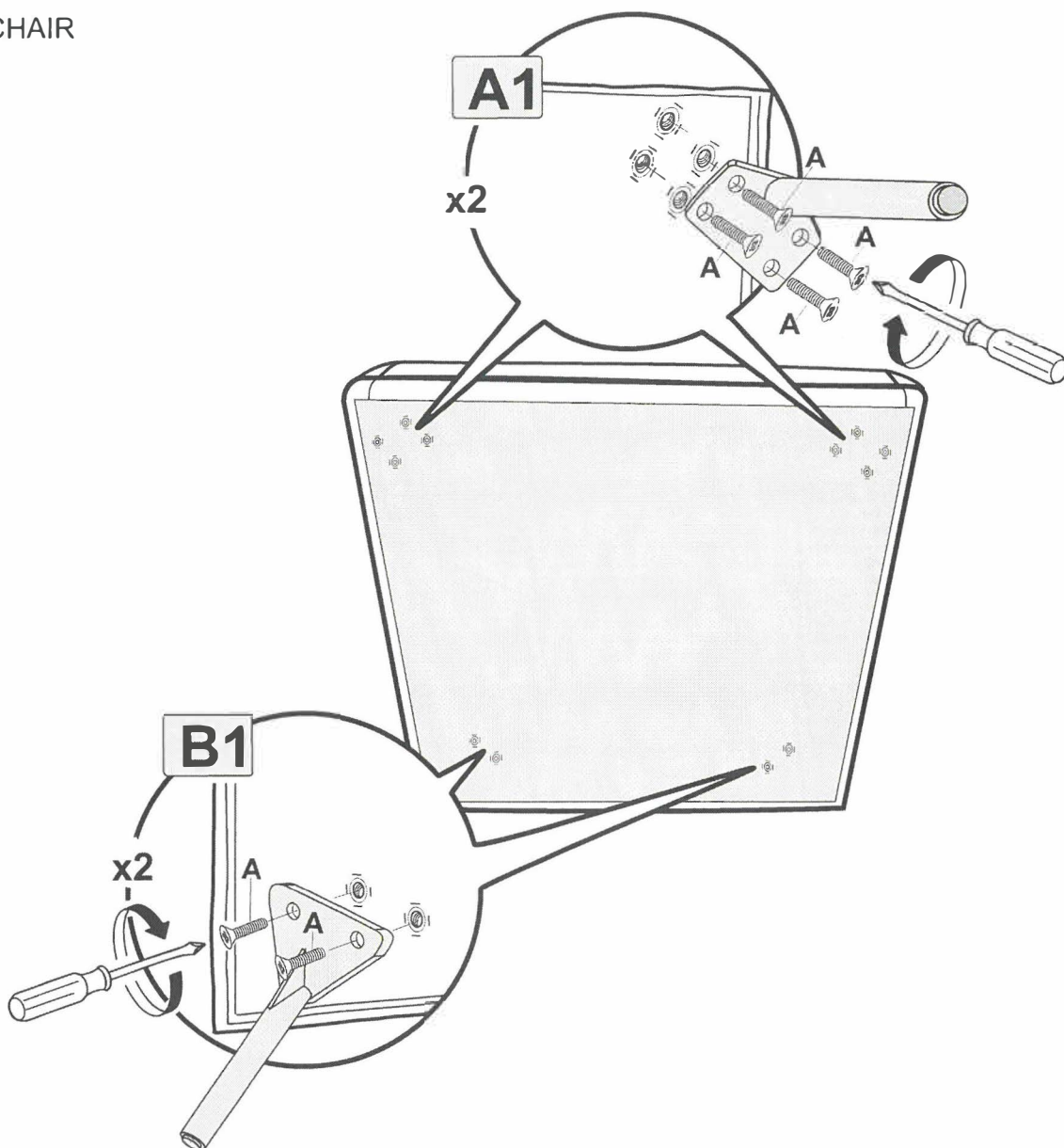
A1 no 160 C



B1 no 160 D

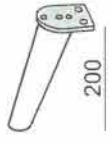


1 ARMCHAIR



C1

no 154B



x4



WS M6x20

A x8

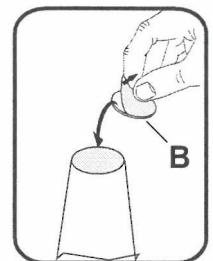
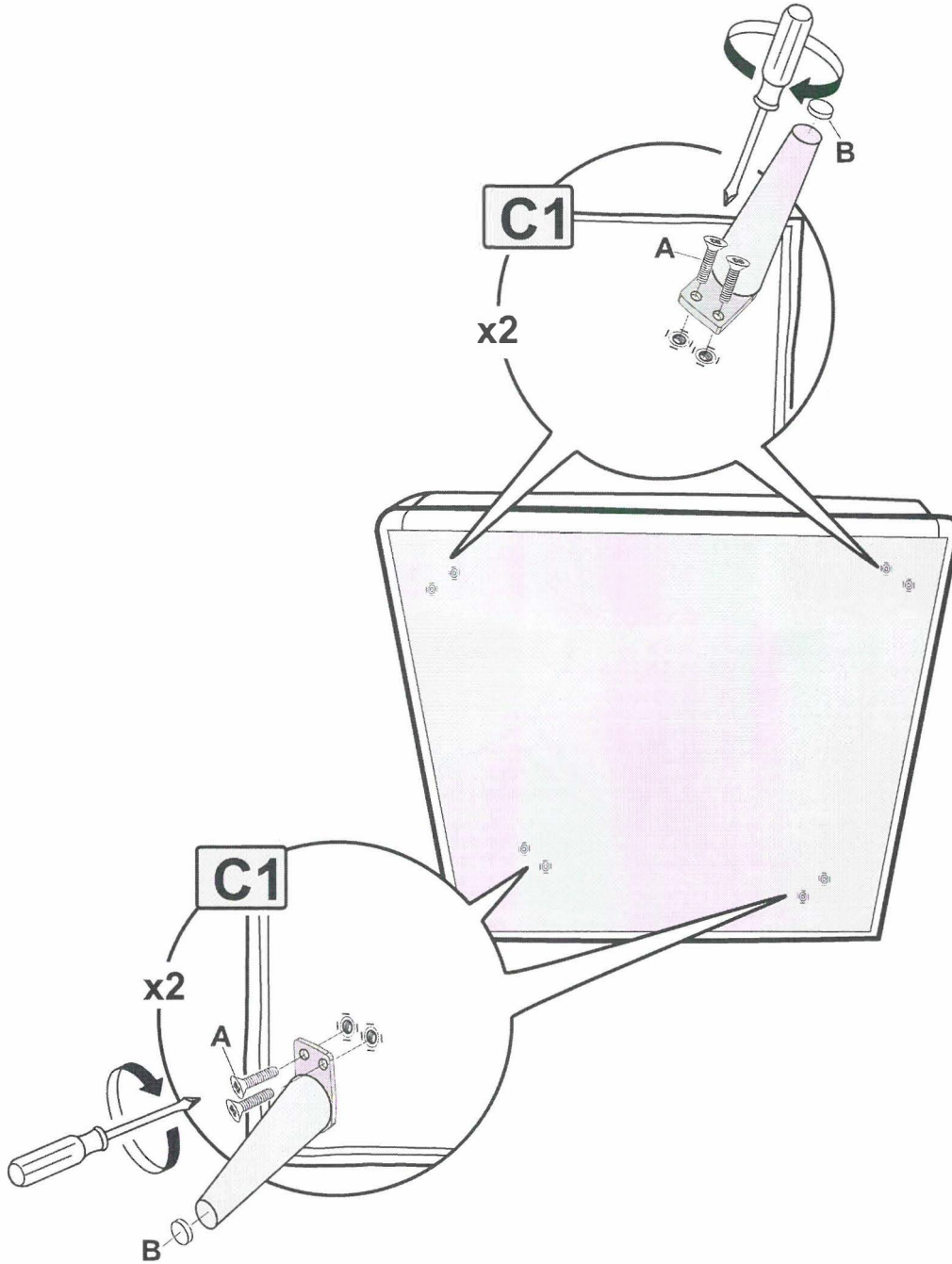


φ20x2

B x4




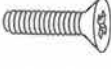

2

ARMCHAIR



2



A1 no 160 C  H=200 x4	 WS M6x20 A x16		C1 no 154B  200 x4	 WS M6x20 A x8	 $\phi 20 \times 2$ B x4
---	---	--	---	--	--

3 FOOTSTOOL

