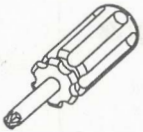
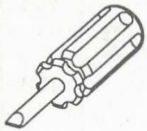
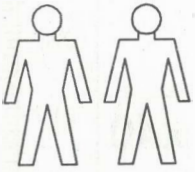
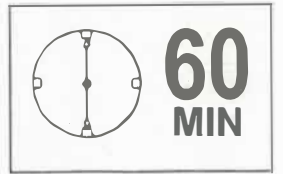
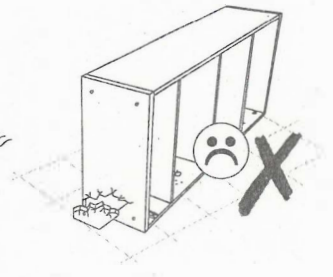
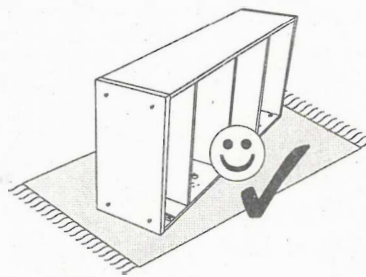
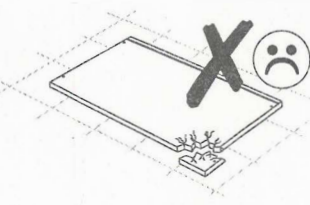
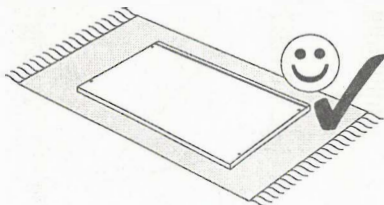


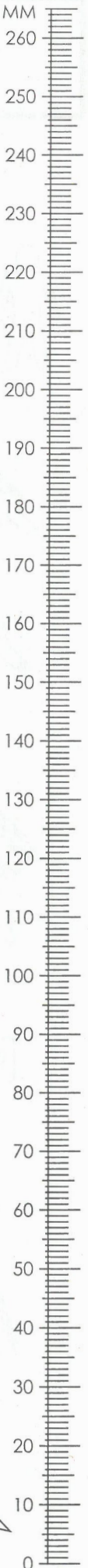
LIV - SCHUHSCHRANK 6T


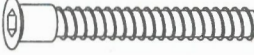


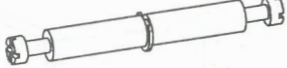




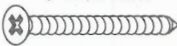



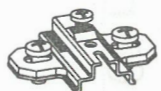
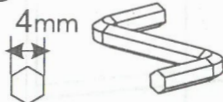

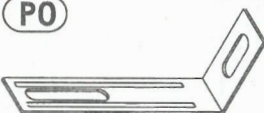

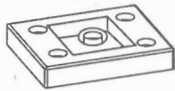



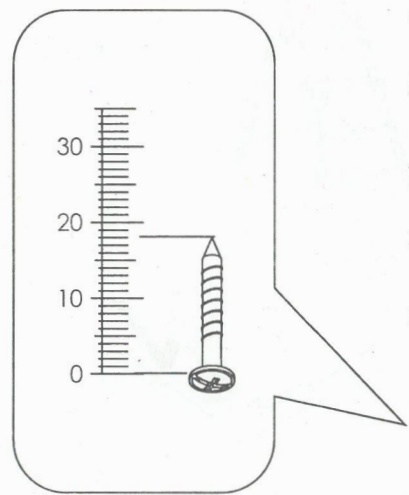
Ø8




LIV - SCHUHSCHRANK 6T

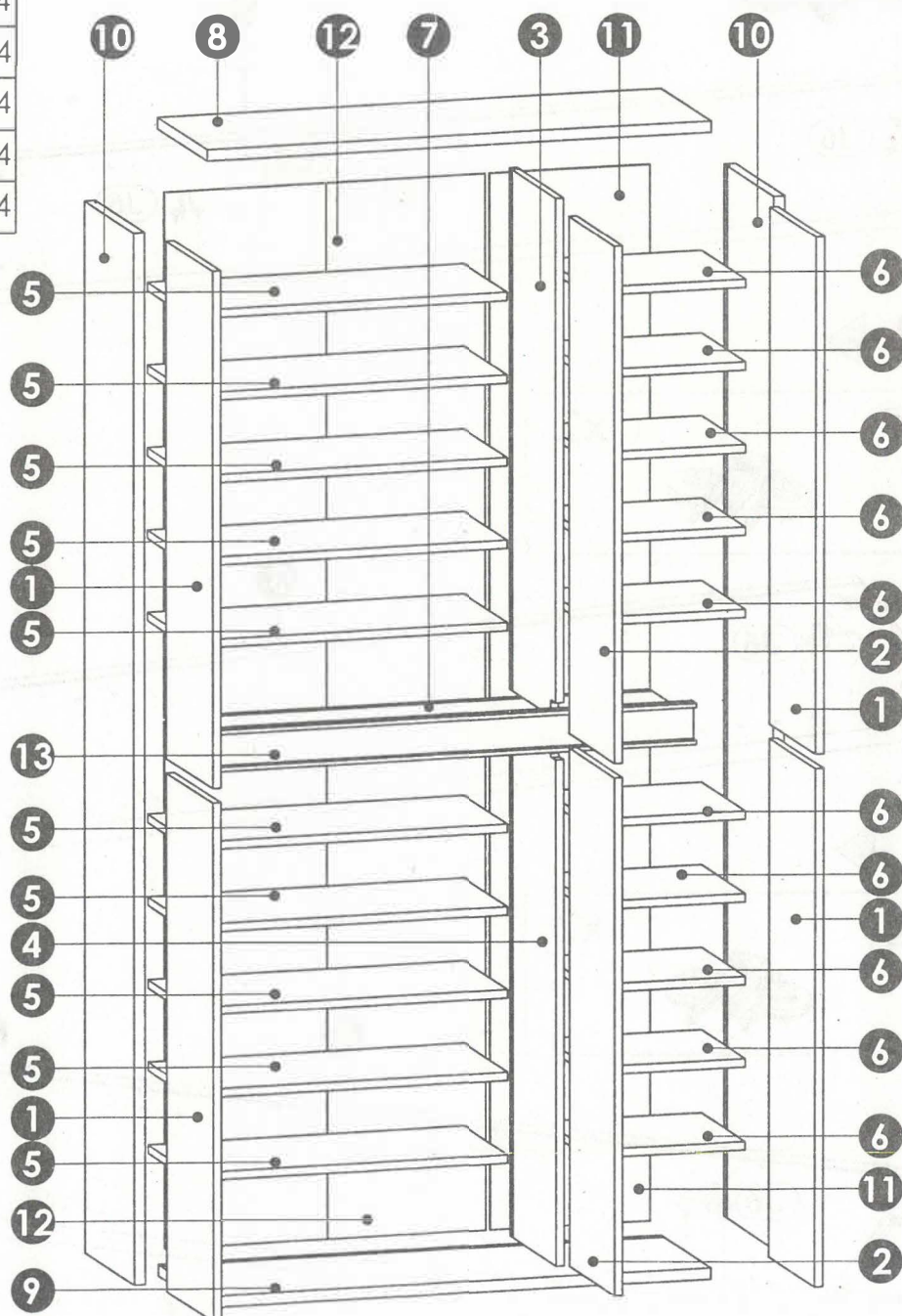


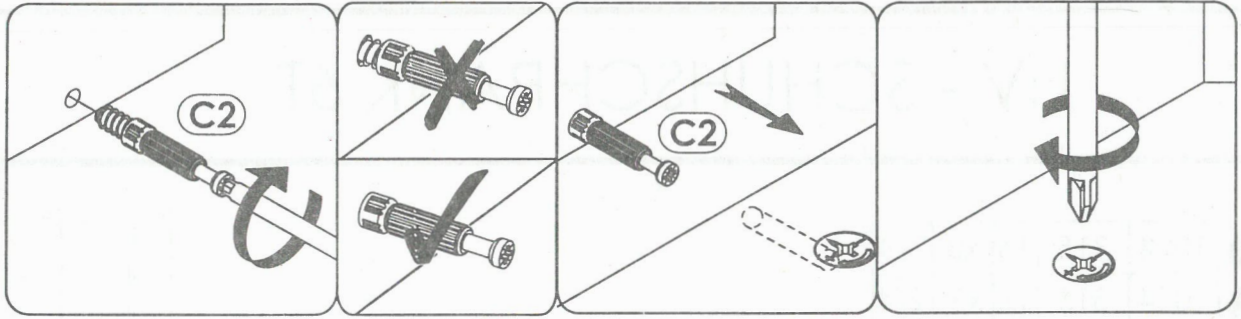
B0  x6	B2 f 7 x 70 mm  x12	C0  x12
C2  x8	C8  x2	D0 3 x 15 mm  x40
D10 4 x 16 mm  x24	D12 4 x 25 mm  x24	D21 5 x 13 mm  x2
E0 5 x 50 mm  x2 8 x 50 mm 	J4  x8	J5  x4
J6  x12	K 4mm  x1	M1  x40
P0  x2	Q3  x80	T5  x6
U0  x12		



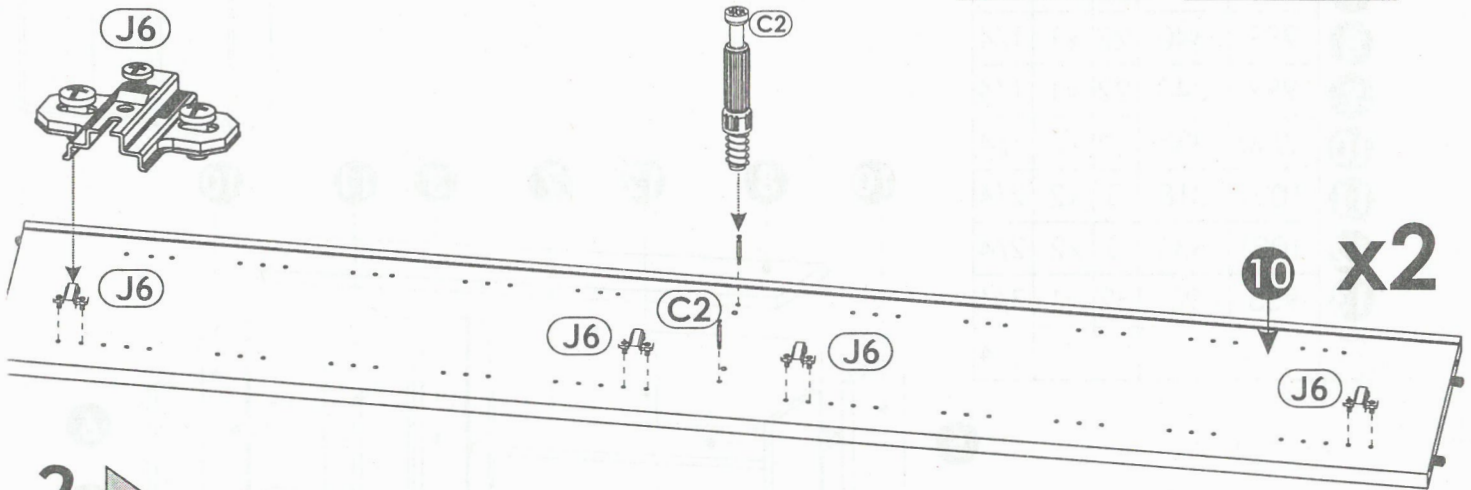
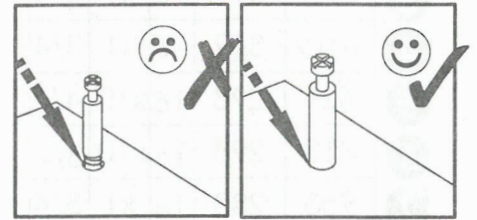
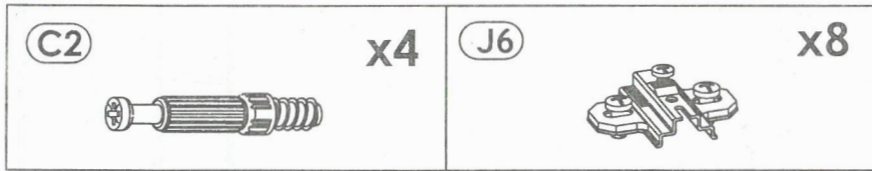
LIV - SCHUHSCHRANK 6T

1	1004	315	16	x3	2/4
2	1004	315	16	x3	2/4
3	1012	319	16	x1	3/4
4	1012	319	16	x1	3/4
5	627	298	16x10		4/4
6	310	298	16x10		3/4
7	953	288	16	x1	3/4
8	999	340	22	x1	1/4
9	999	340	22	x1	1/4
10	2040	338	22	x2	1/4
11	1021	318	3	x2	2/4
12	1021	636	3	x2	2/4
13	953	90	32	x1	3/4
					3/4

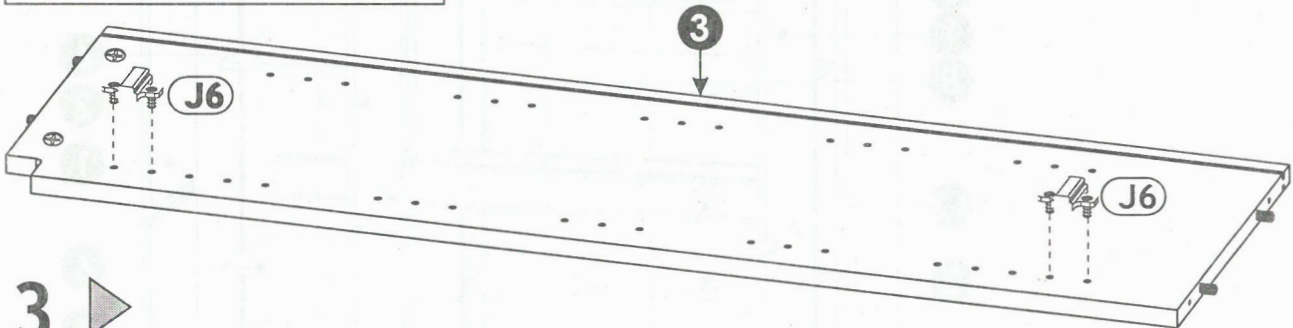
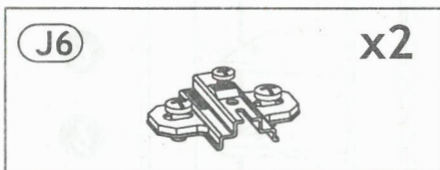




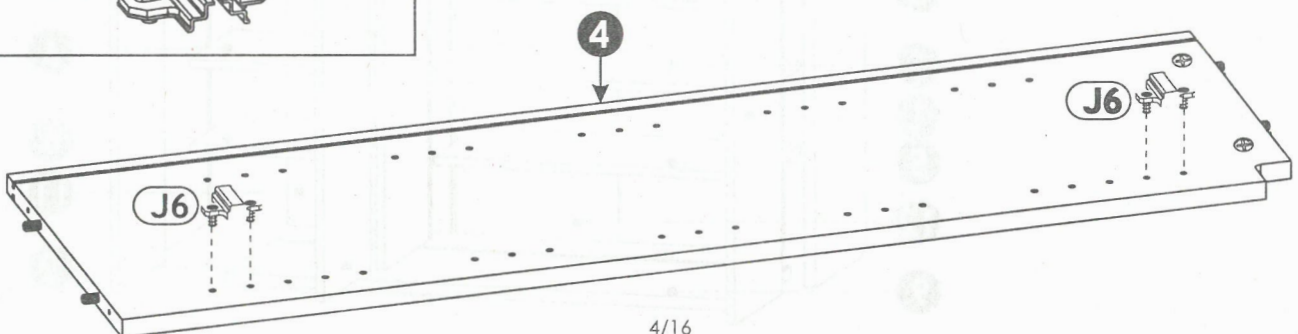
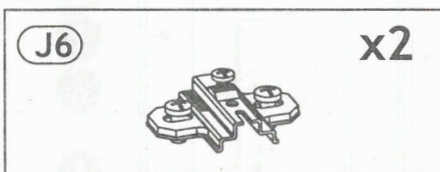
1 ▶



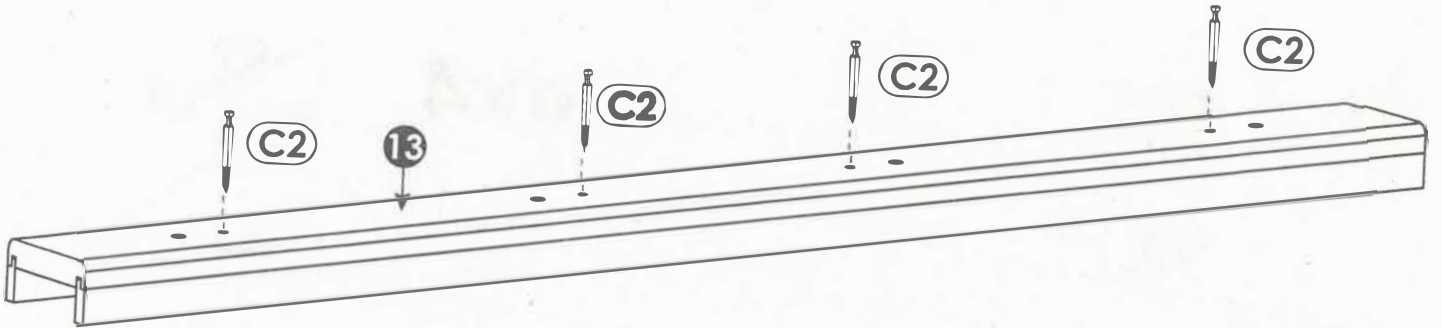
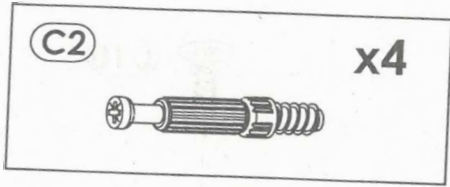
2 ▶



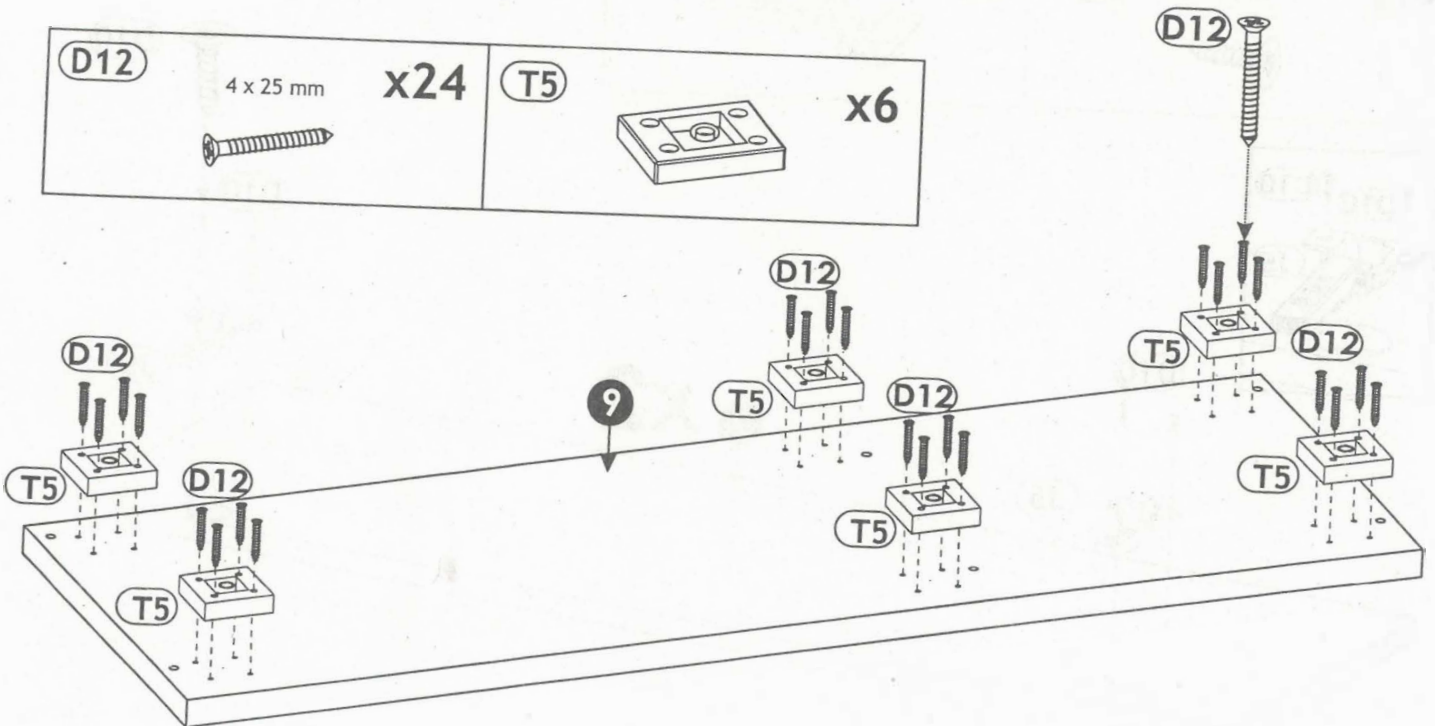
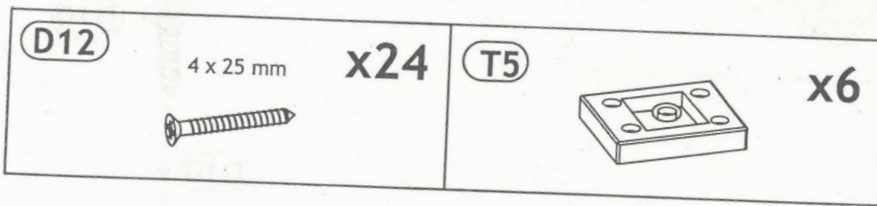
3 ▶





4 ▶

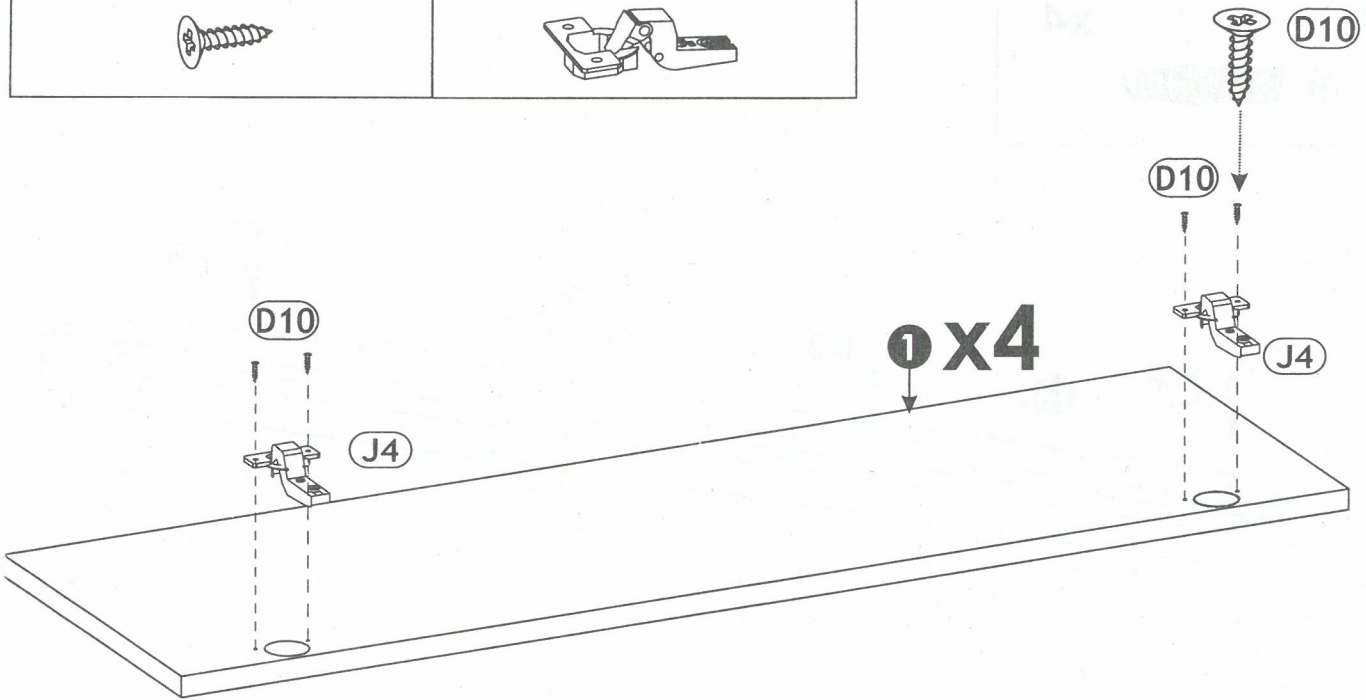


5 ▶





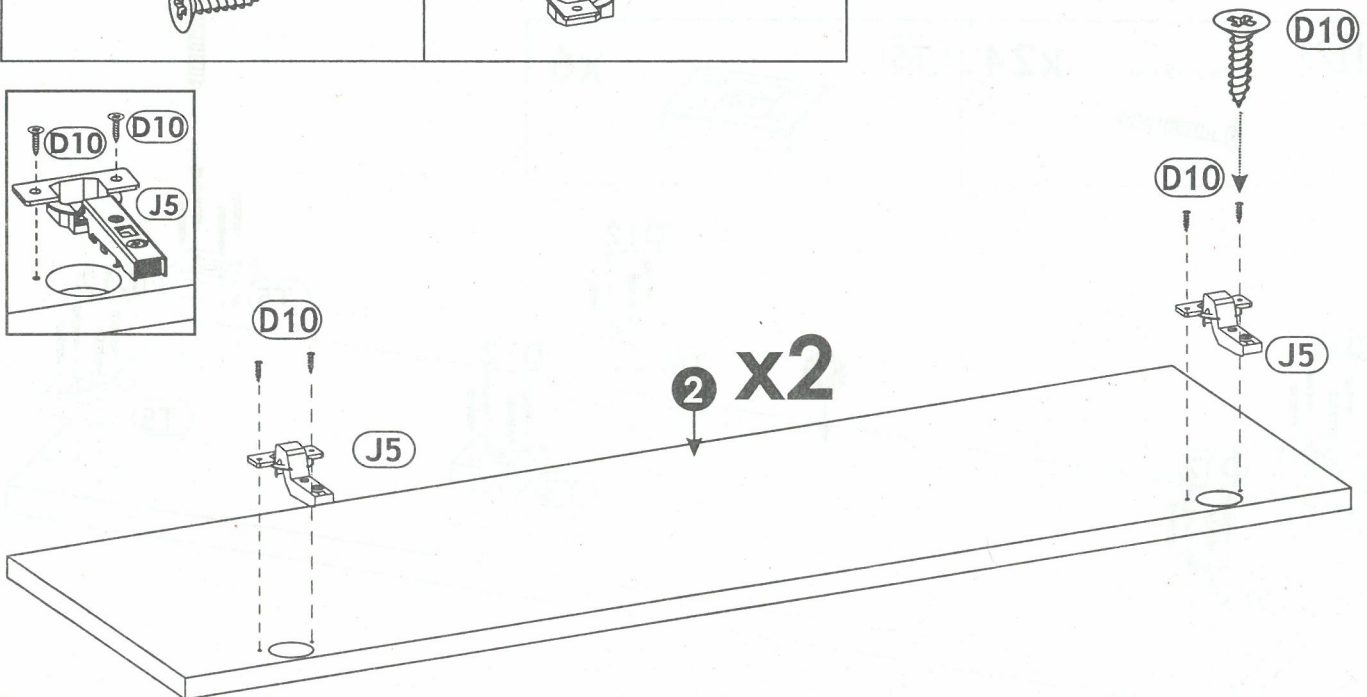
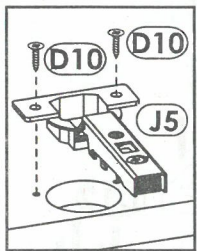
6 ▶

D10	4 x 16 mm	x16	J4	x8
				

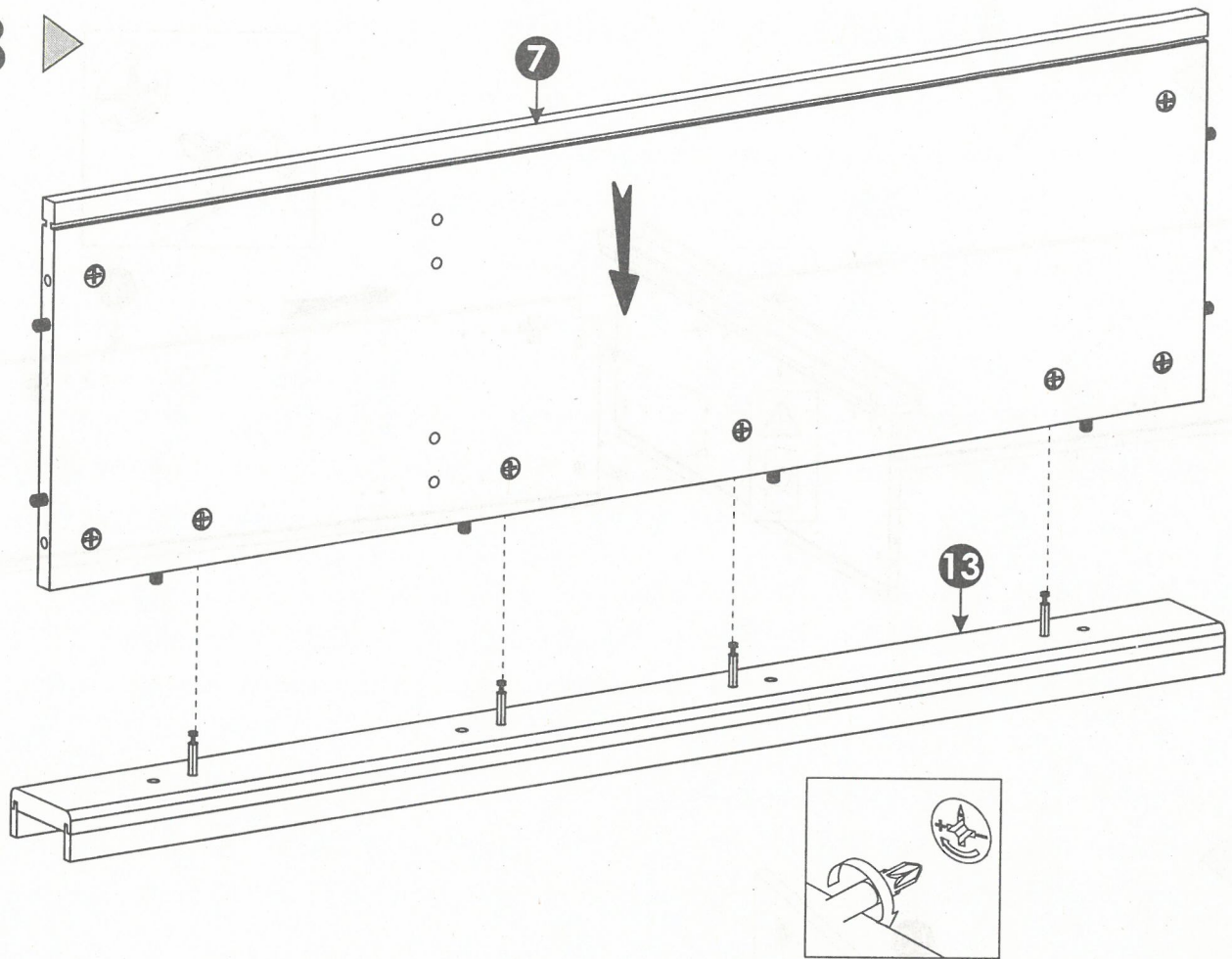


7 ▶

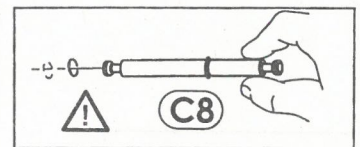
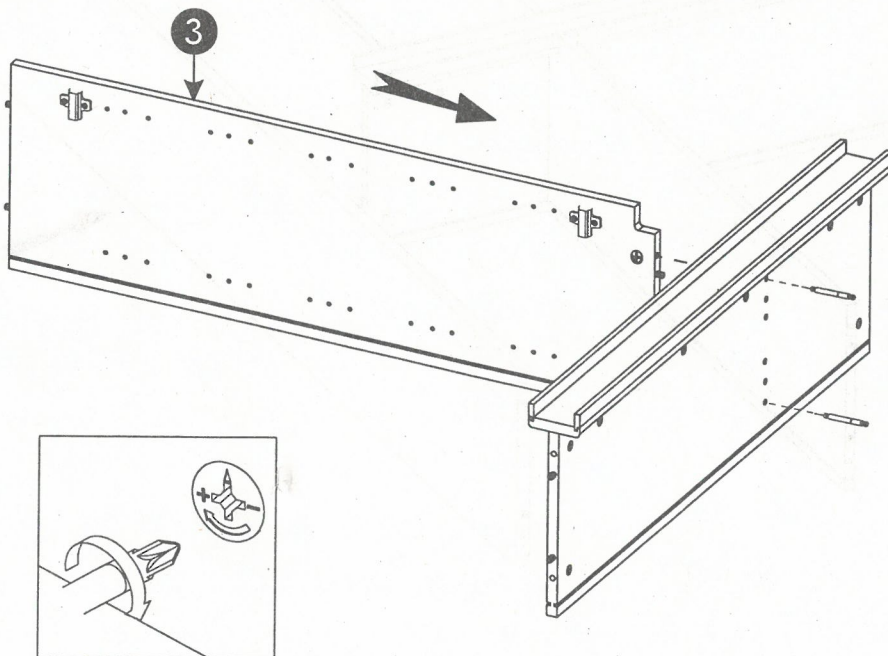
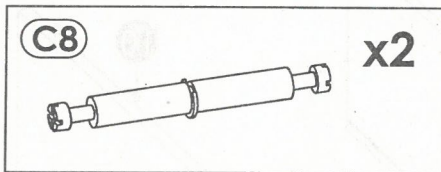
D10	4 x 16 mm	x8	J5	x4
				



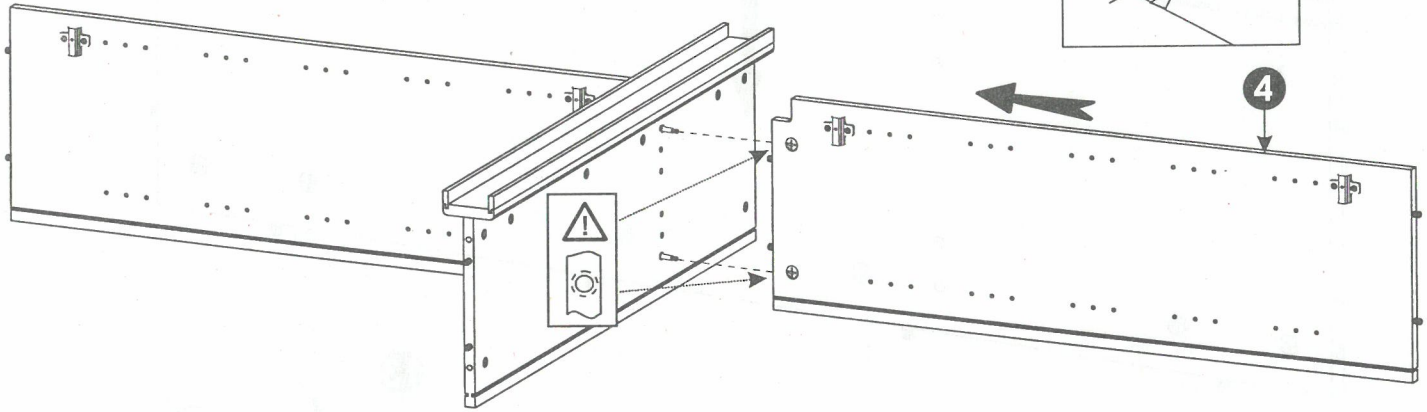
8 ▶



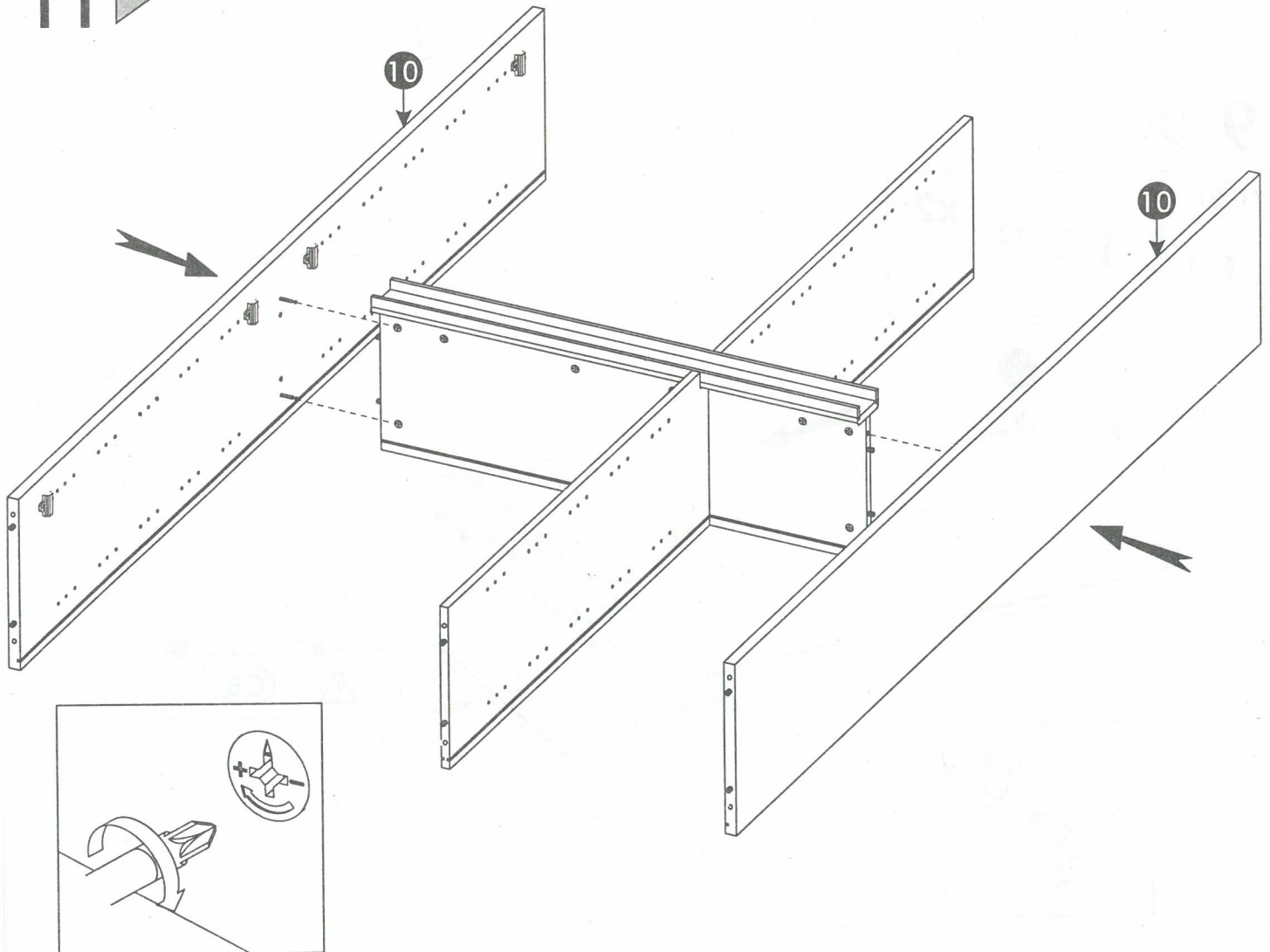
9 ▶



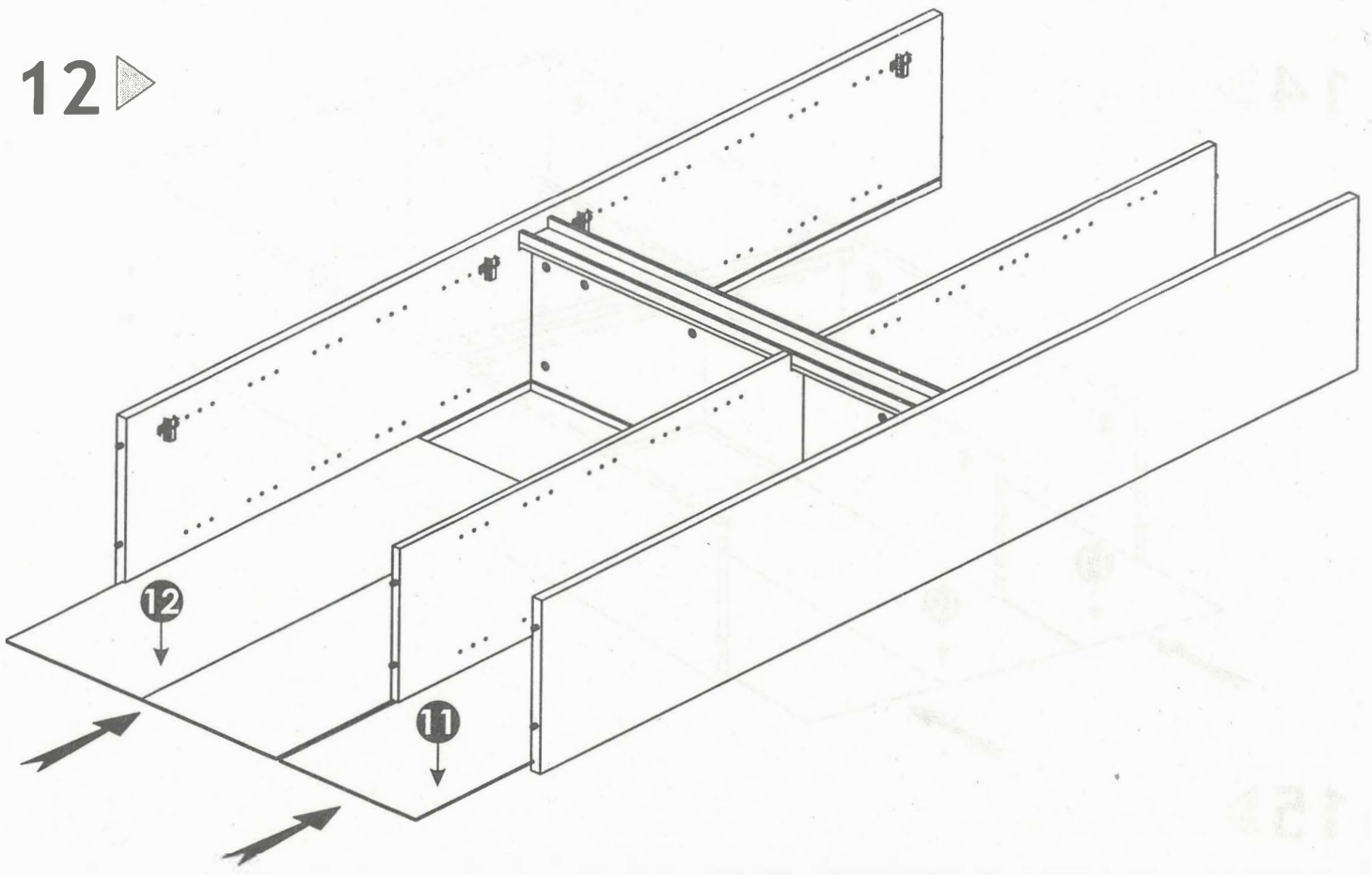
10 ▶



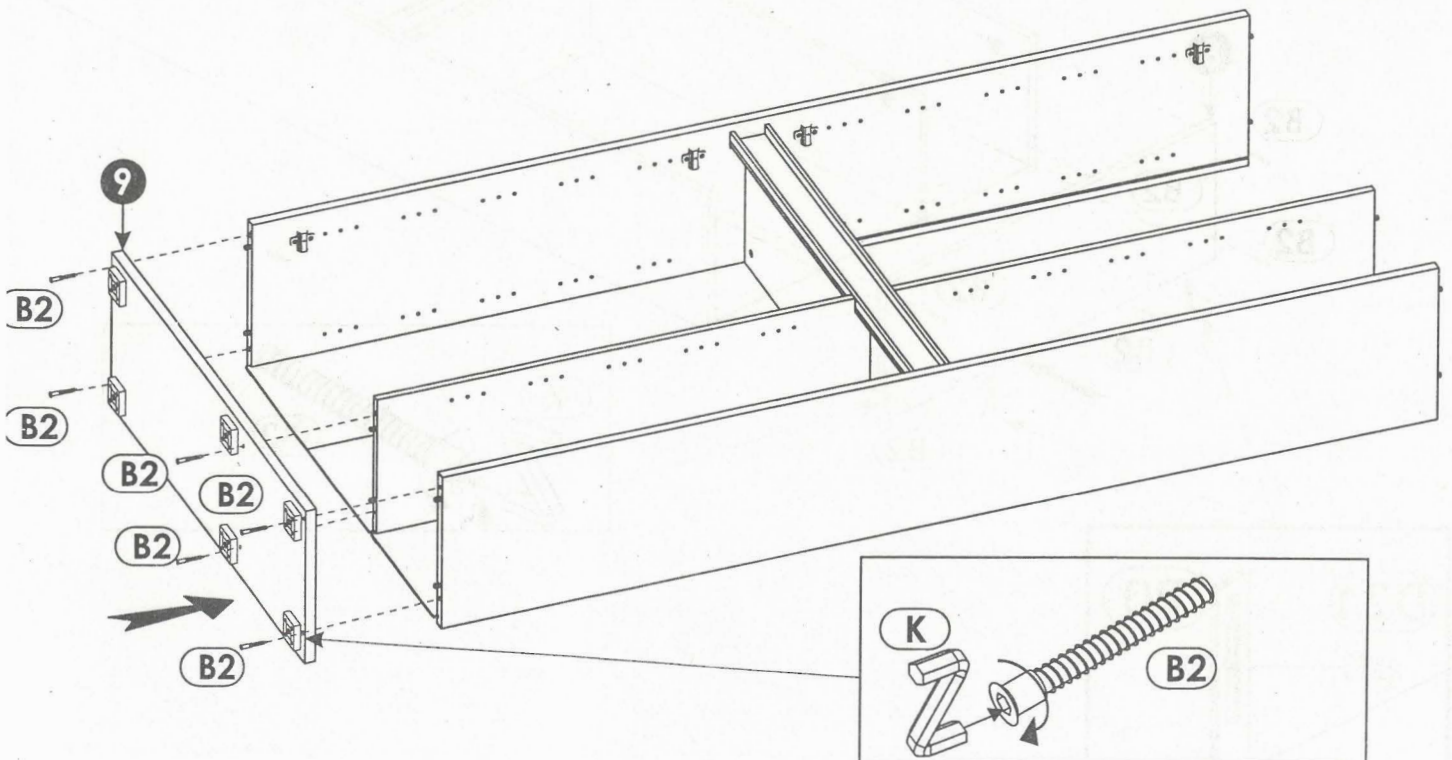
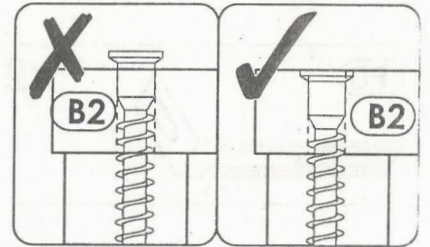
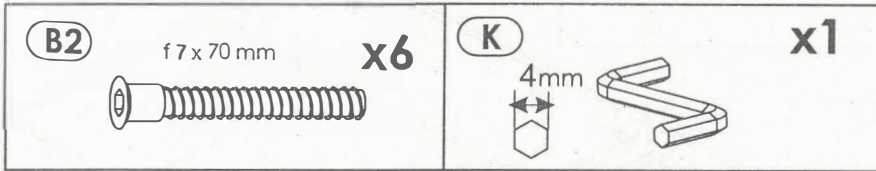
11 ▶



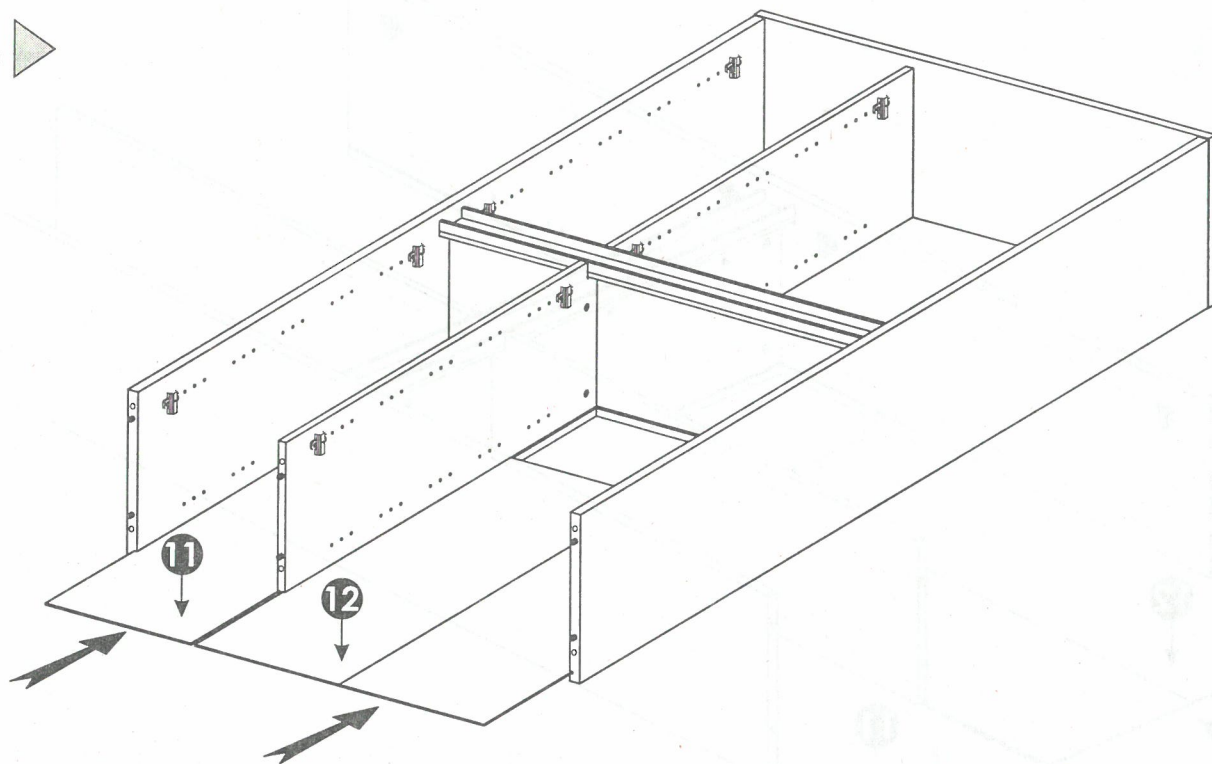
12 ▶



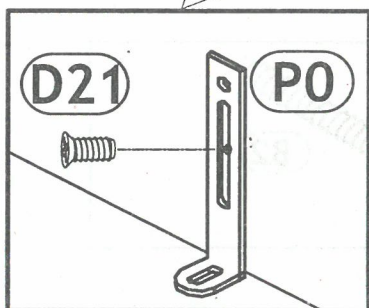
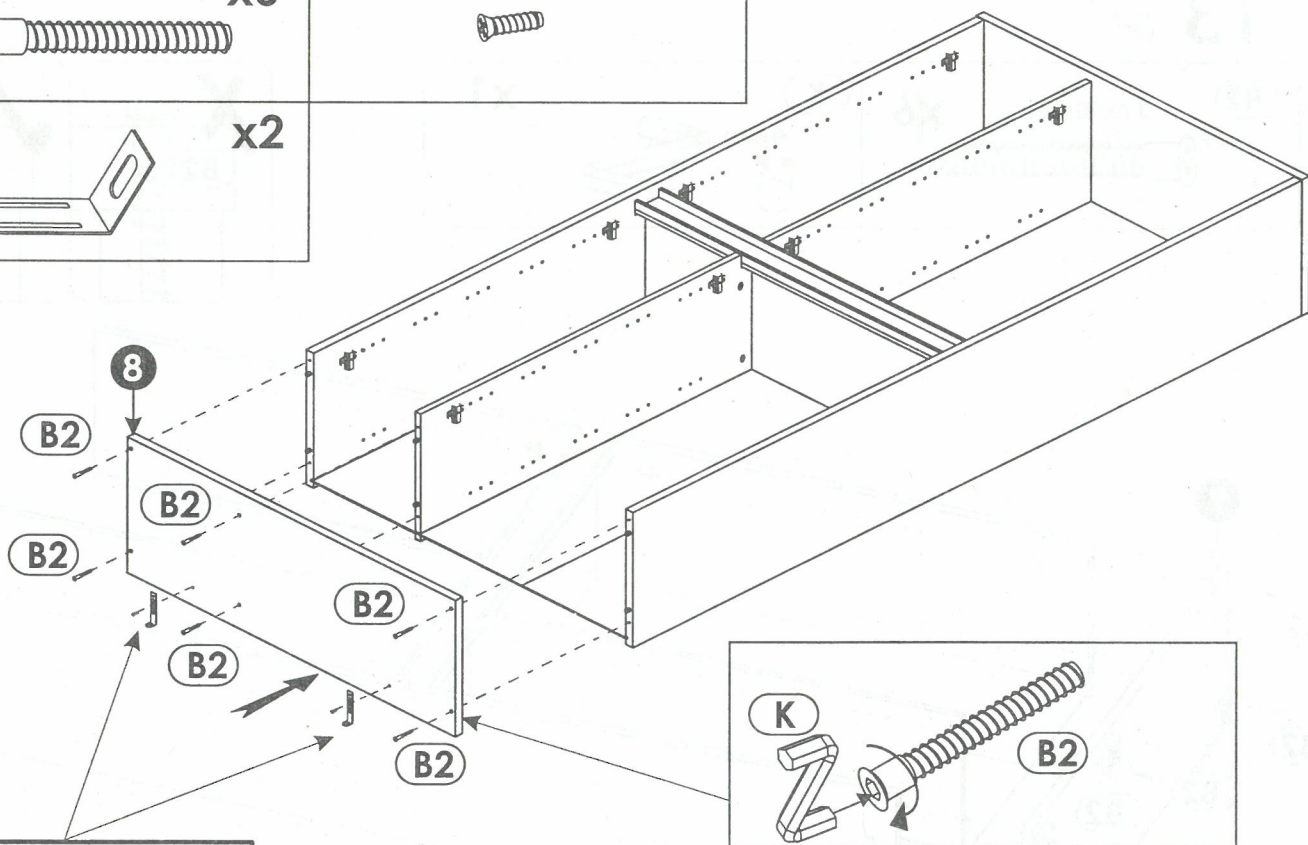
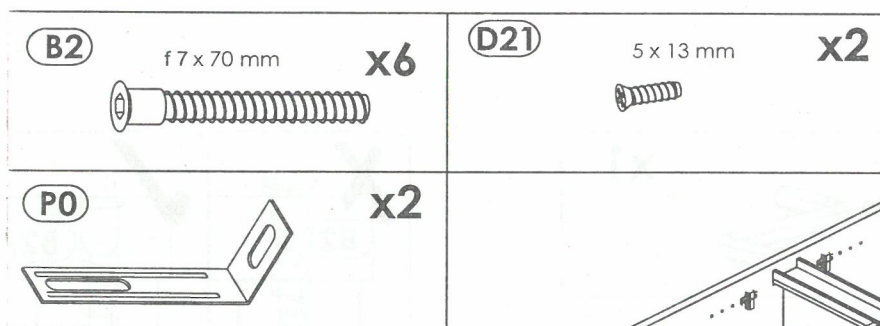
13 ▶





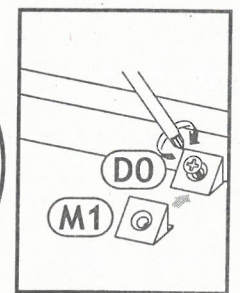
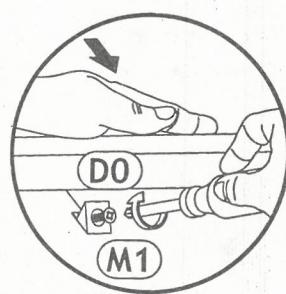
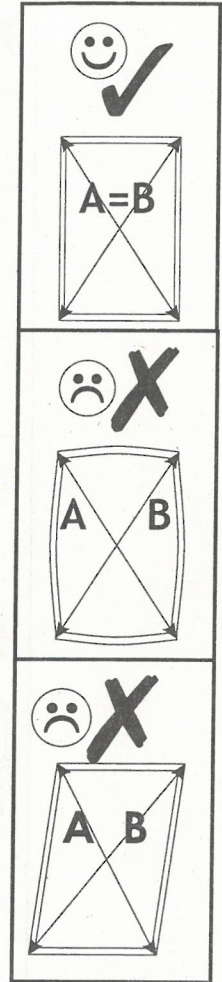
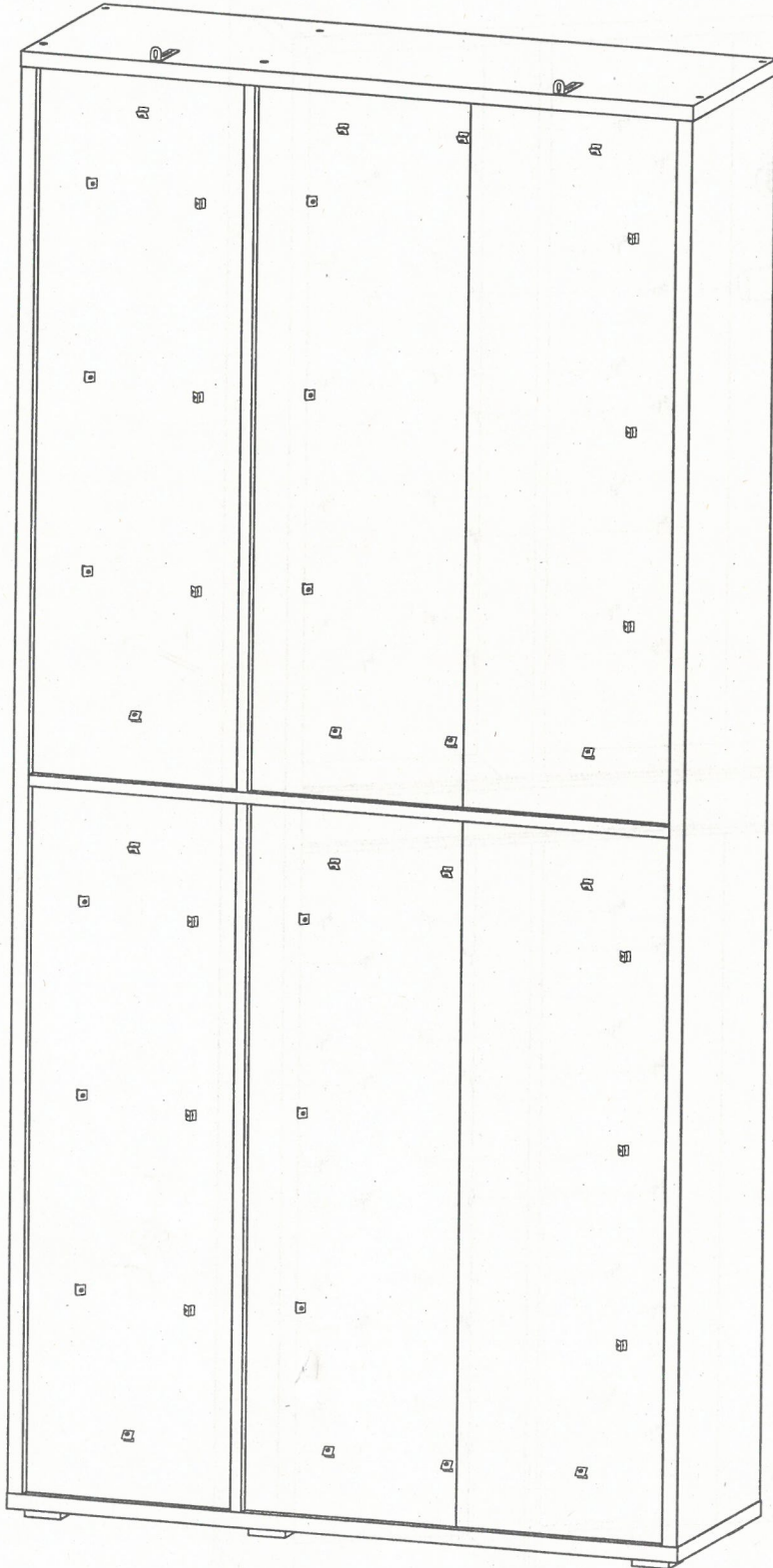
14 ▶



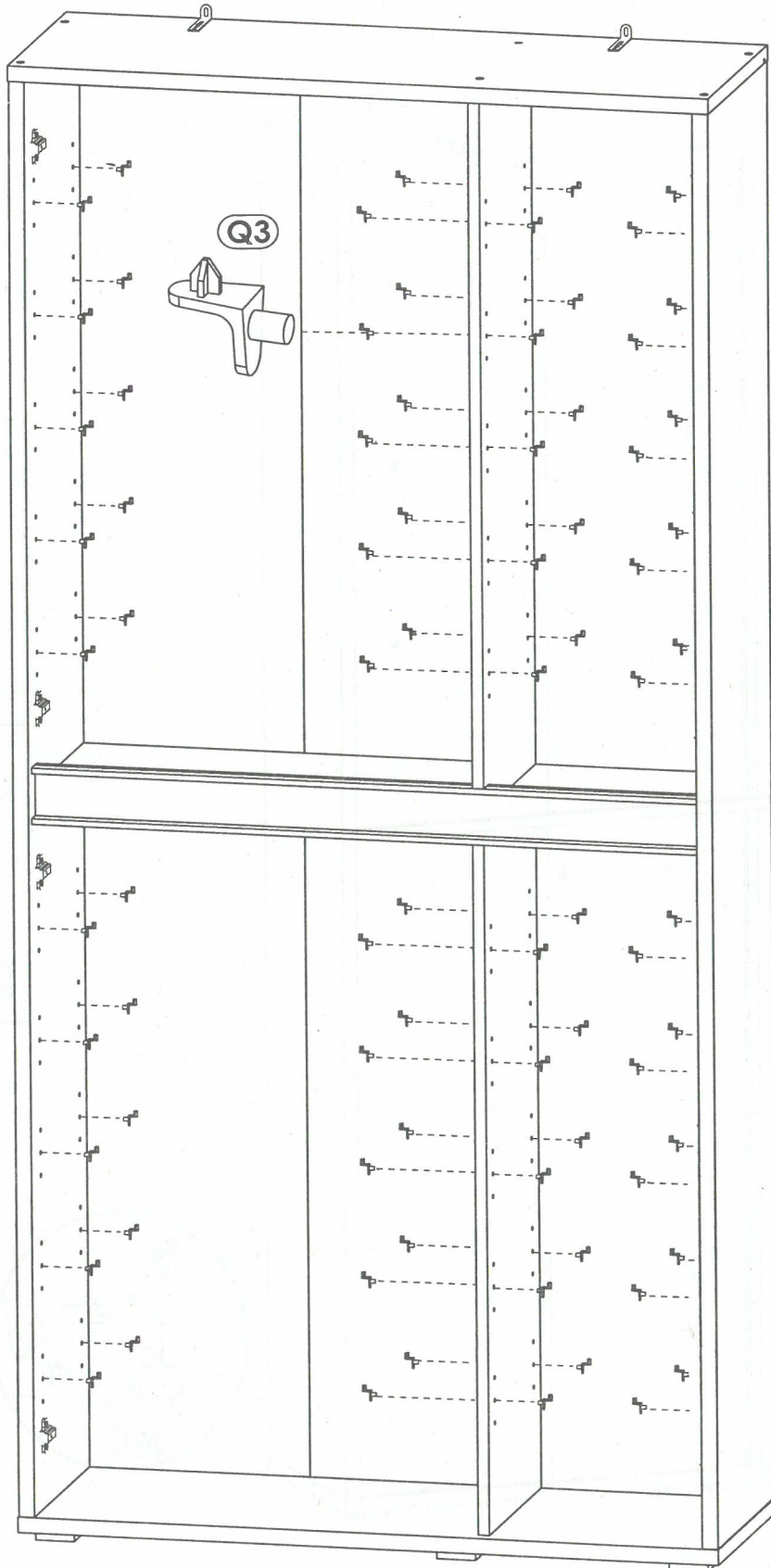
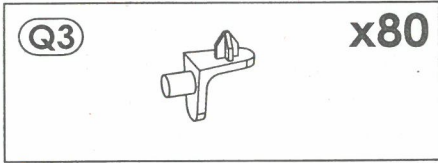
15 ▶

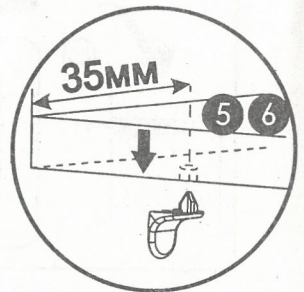


(D0)	3 x 15 mm	x40	(M1)	x40
				

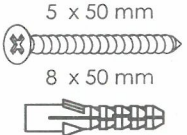



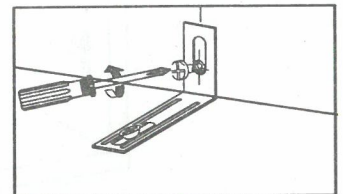
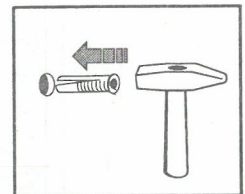
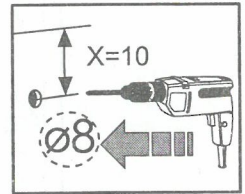
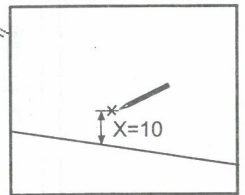
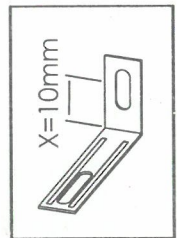
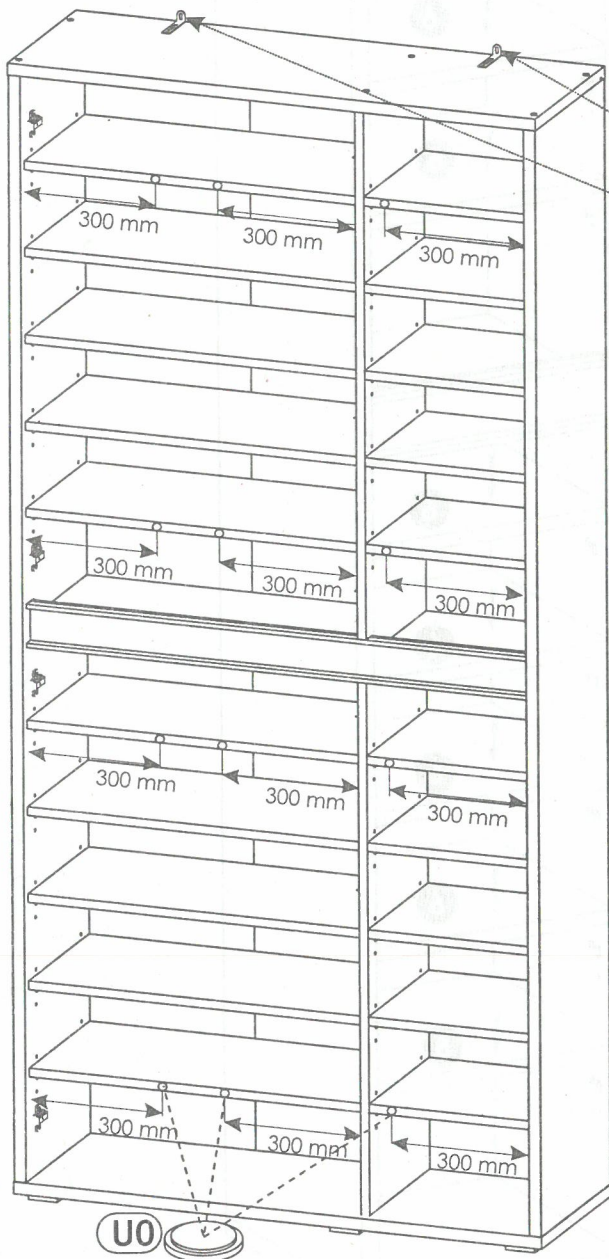
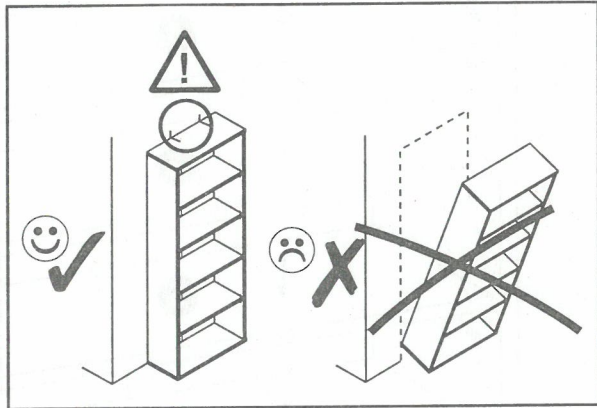
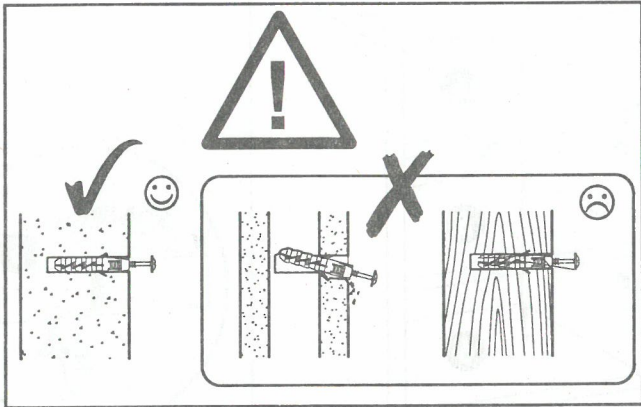
17▶

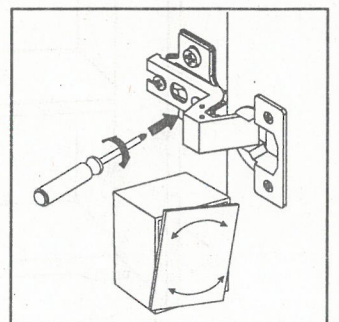
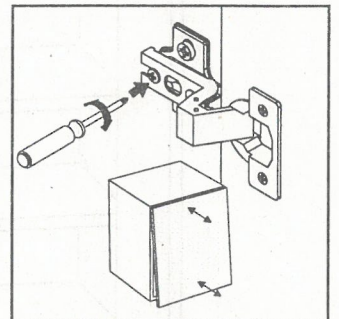
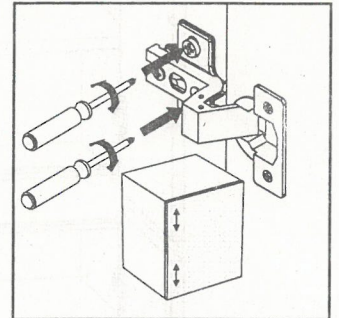
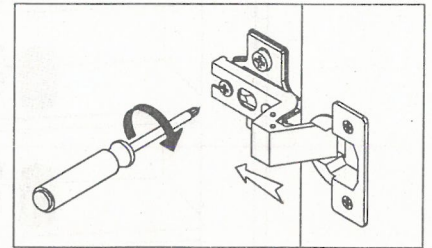
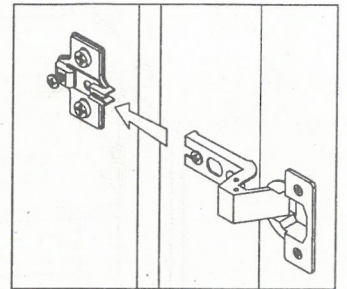
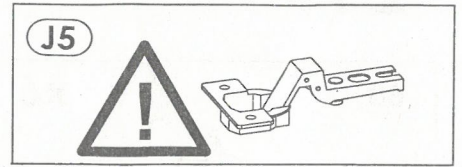
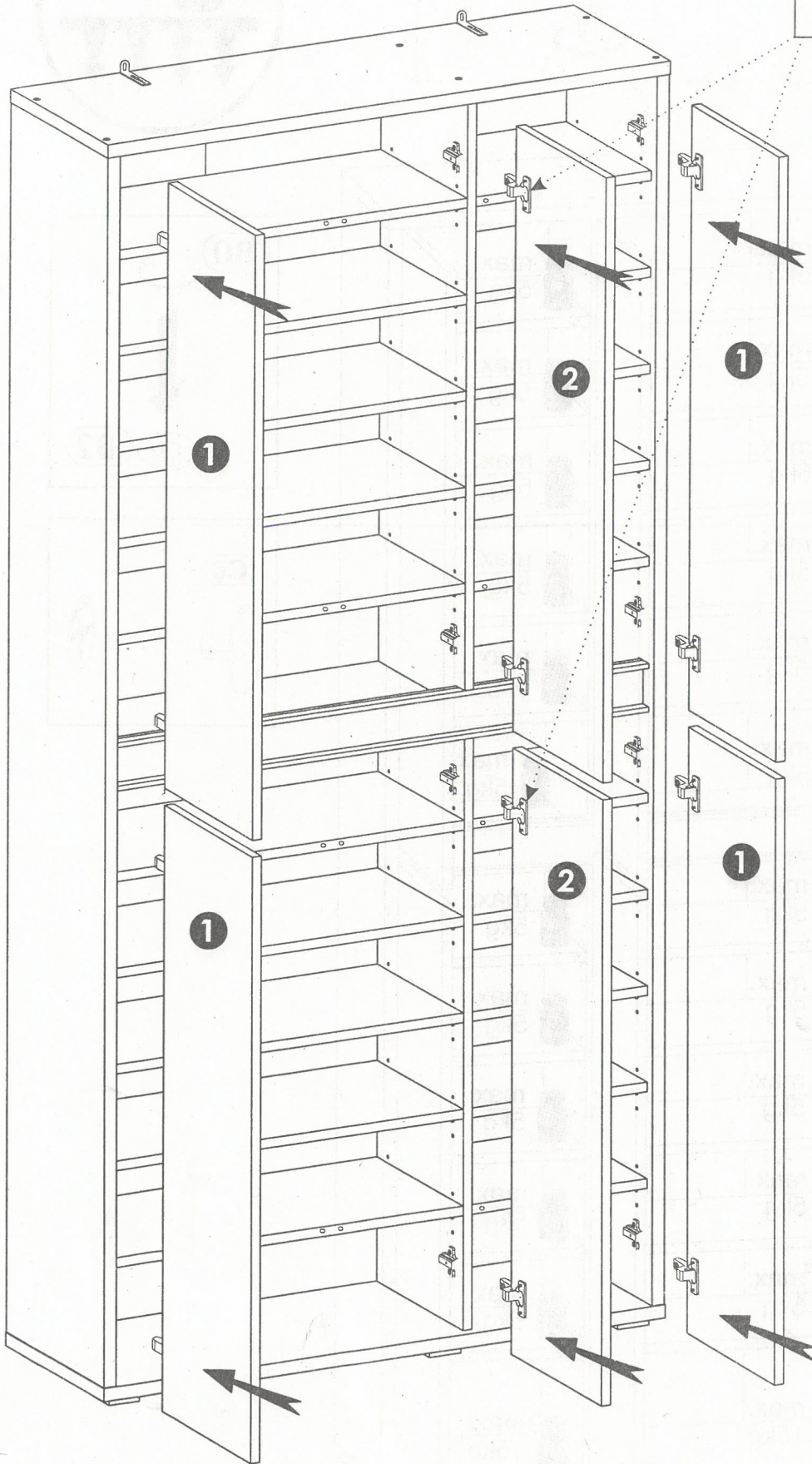




19 ▶

(EO)		x2	(U0)		x12
-------------	---	-----------	-------------	---	------------





21 ▶

