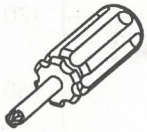
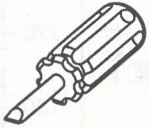
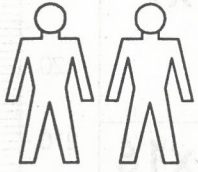
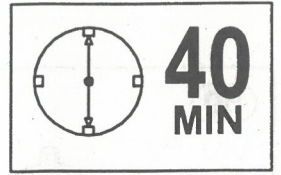
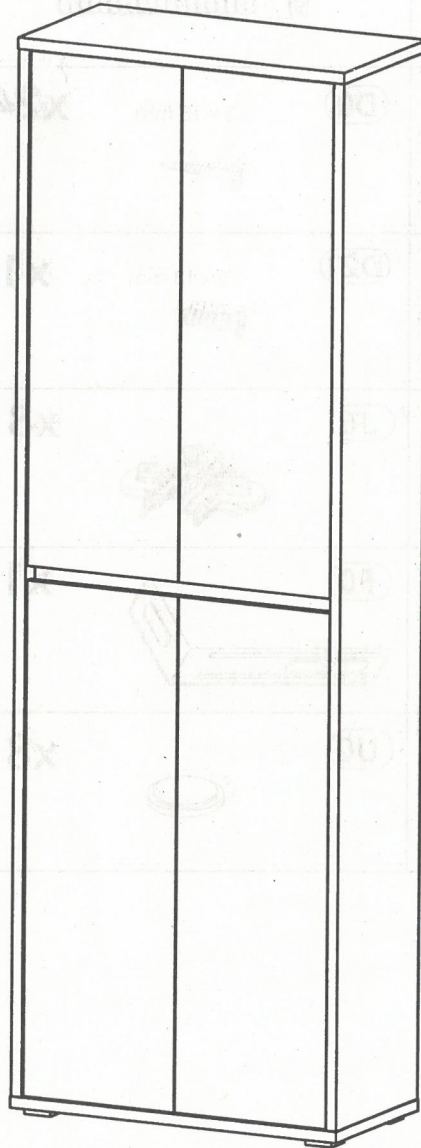


LIV - SCHUHSCHRANK 4T



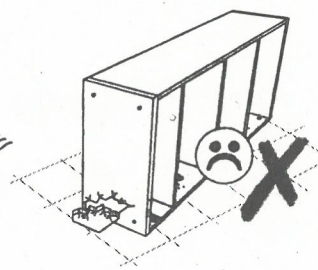
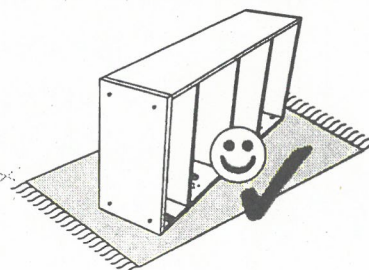
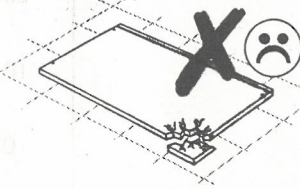
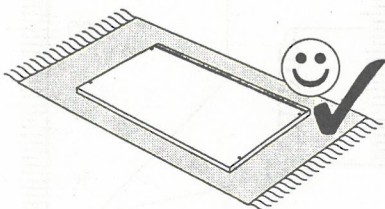
Ø8











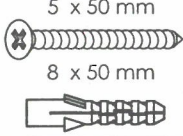


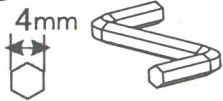

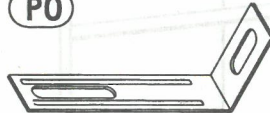

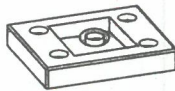

2100 mm

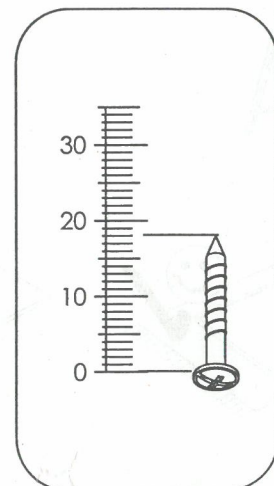
700 mm

340 mm




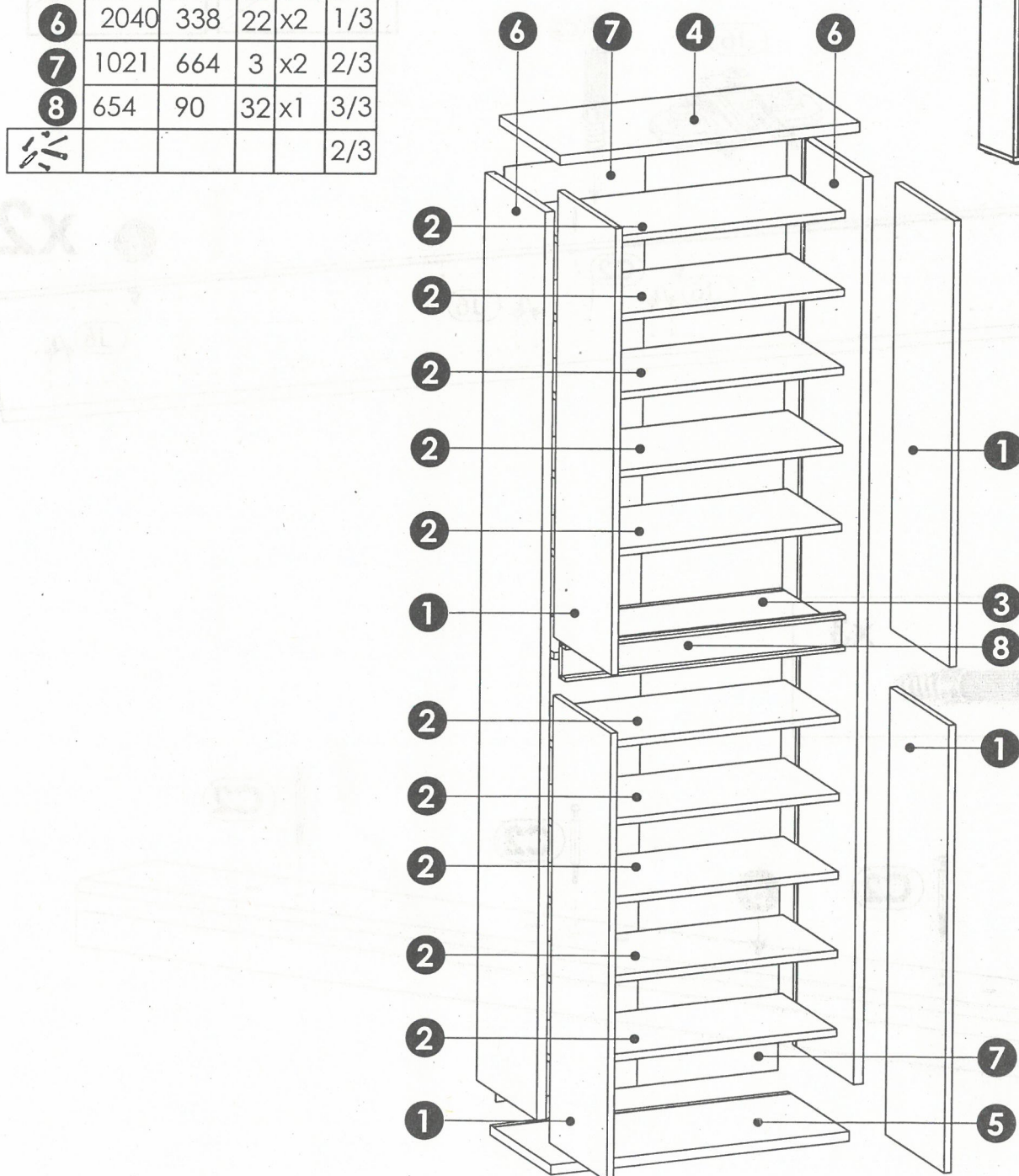
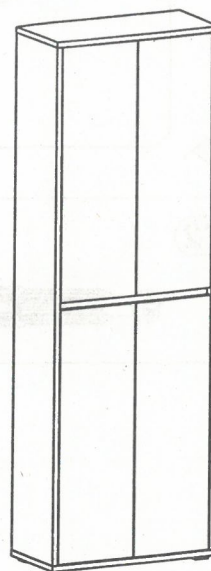
LIV - SCHUHSCHRANK 4T

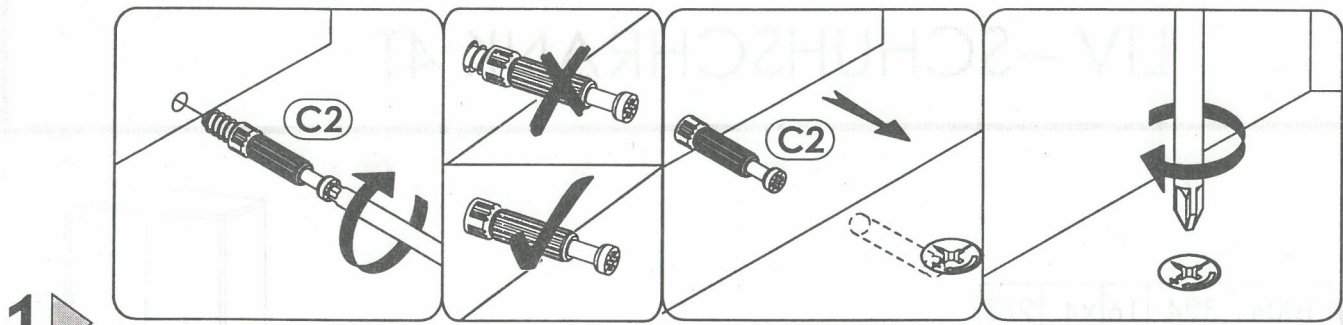
B0  x4	B2 f 7 x 70 mm  x8	C0  x7
C2  x7	D0 3 x 15 mm  x24	D10 4 x 16 mm  x16
D12 4 x 25 mm  x16	D21 5 x 13 mm  x1	E0 5 x 50 mm 8 x 50 mm  x1
J4  x8	J6  x8	K 4mm  x1
M1  x24	P0  x1	Q3  x40
T5  x4	U0  x8	



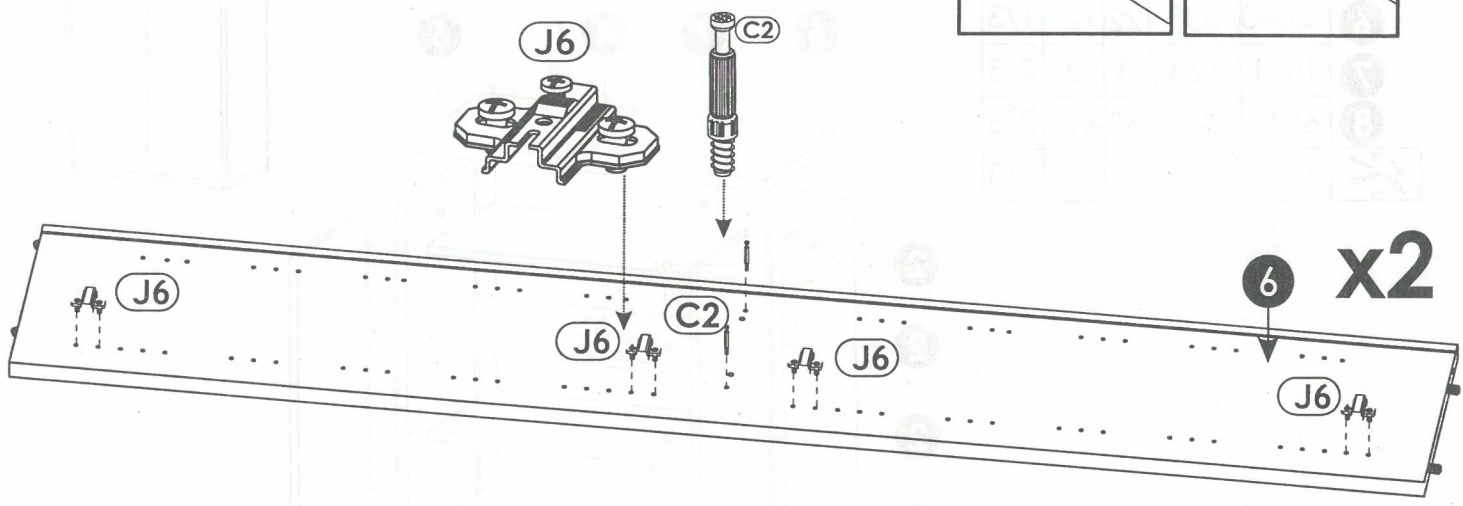
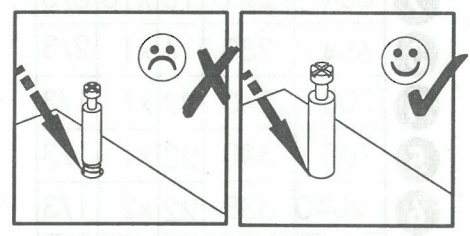
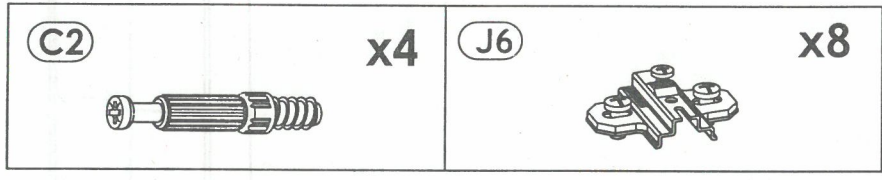
LIV - SCHUHSCHRANK 4T

1	1004	324	16 x4	2/3
2	654	299	16 x10	3/3
3	654	288	16 x1	2/3
4	700	340	22 x1	1/3
5	700	340	22 x1	1/3
6	2040	338	22 x2	1/3
7	1021	664	3 x2	2/3
8	654	90	32 x1	3/3
				2/3

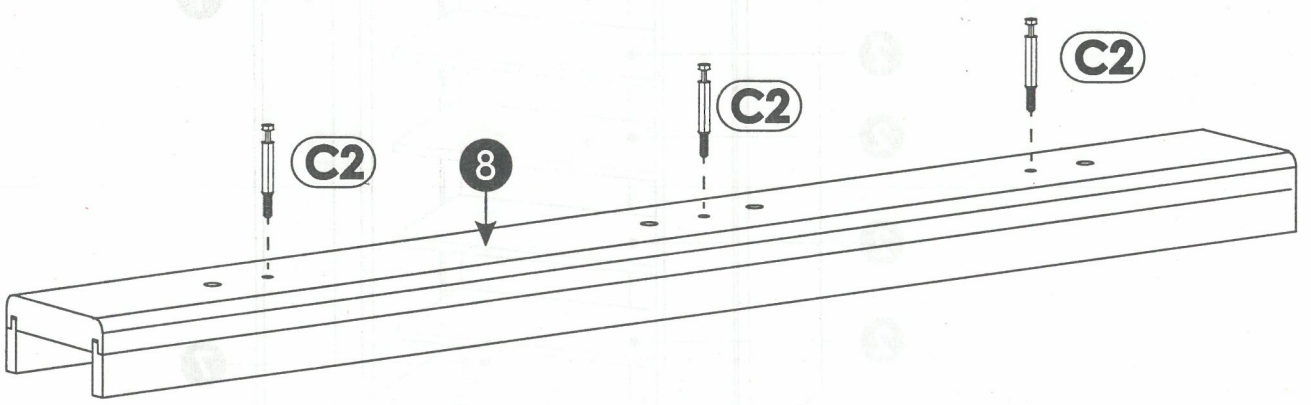
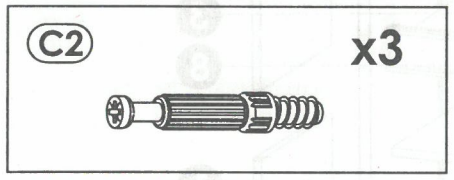




1 ▶

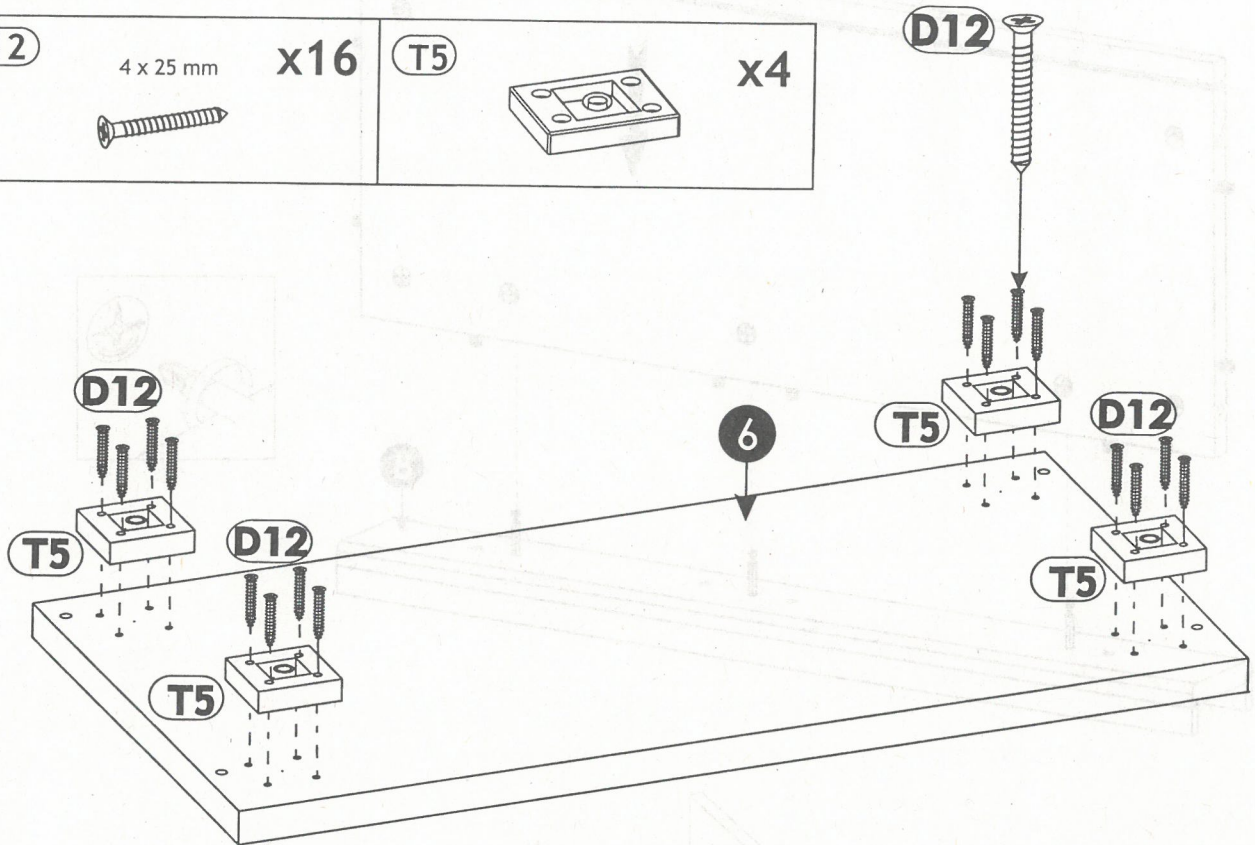
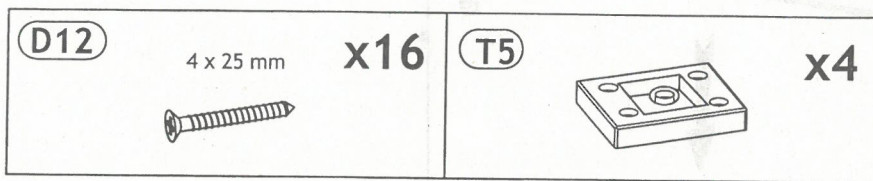


2 ▶



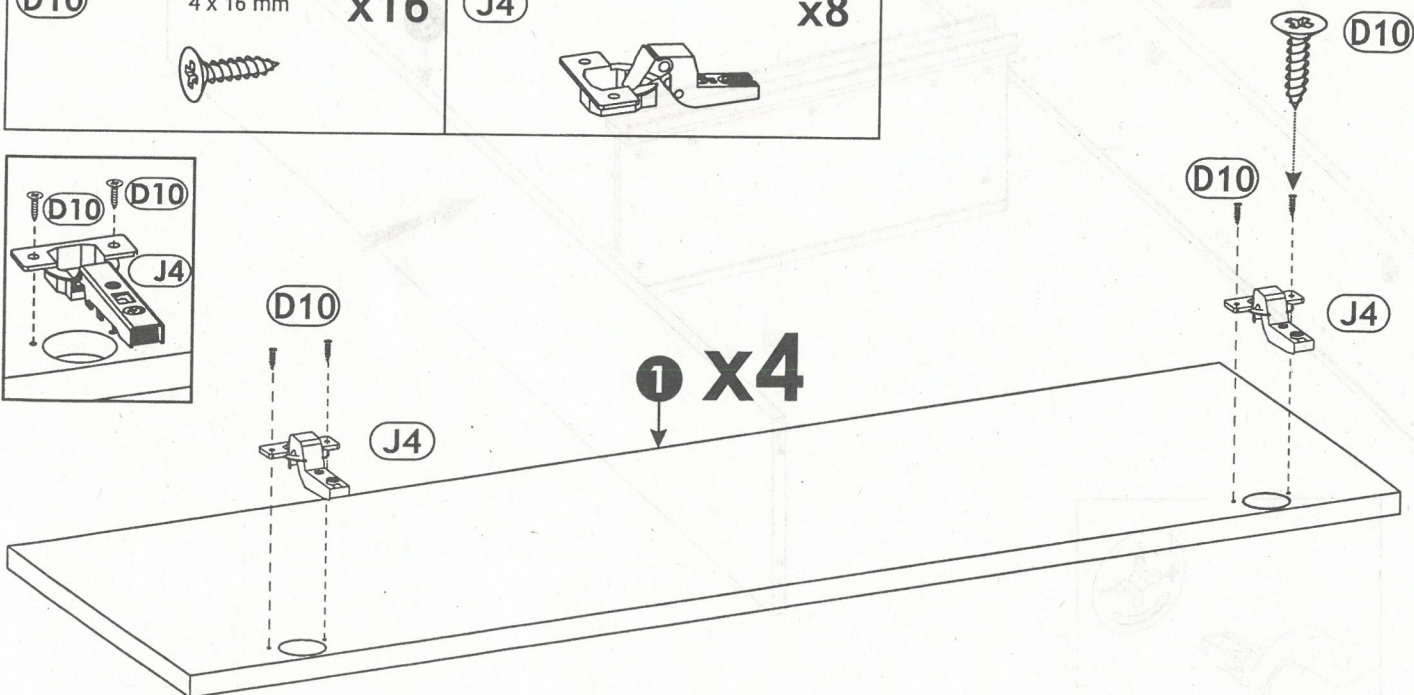
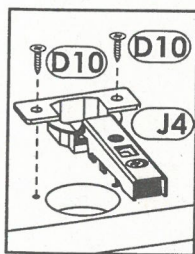
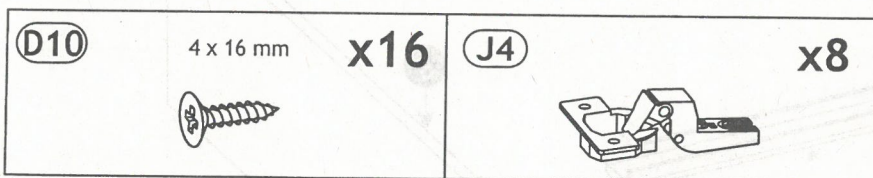
3 ▶

D12	4 x 25 mm	x16	T5		x4
------------	-----------	------------	-----------	--	-----------

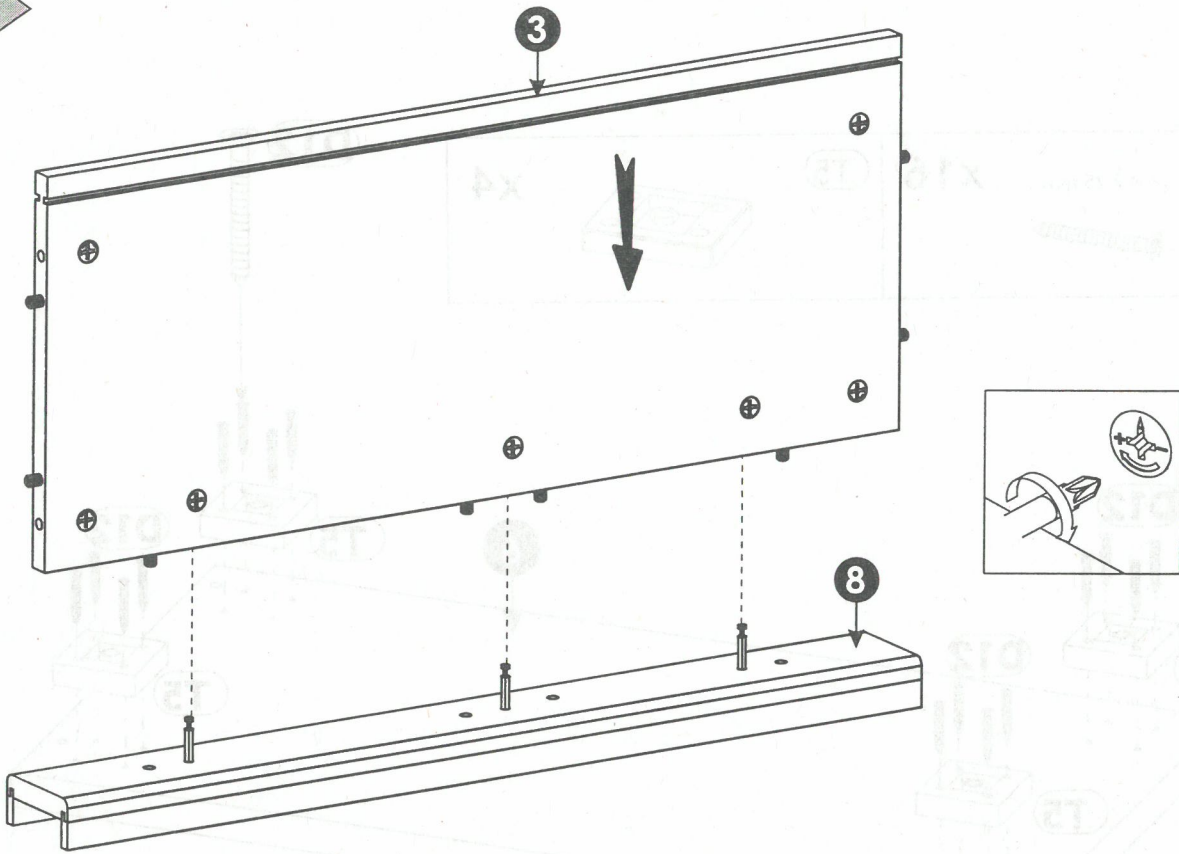


4 ▶

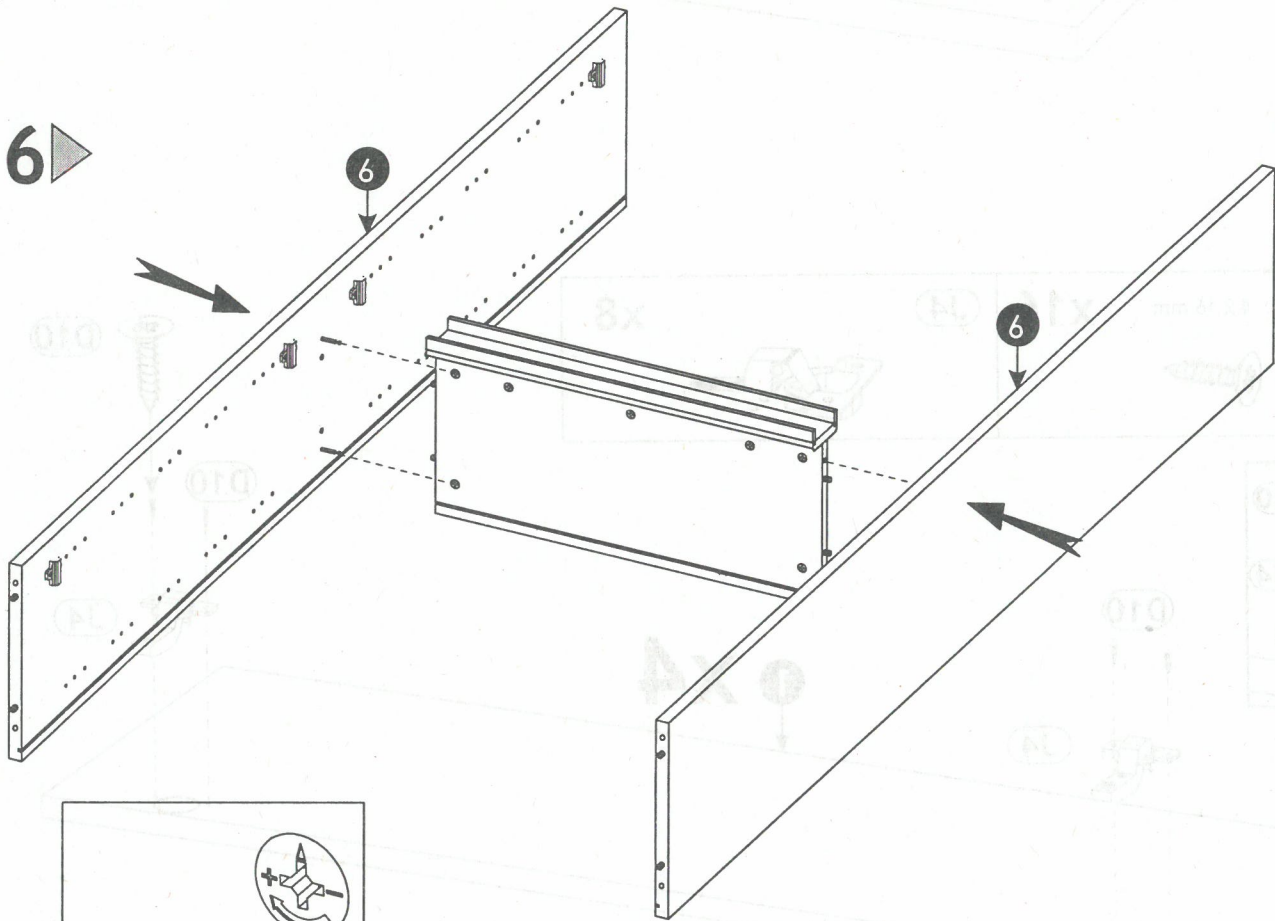
D10	4 x 16 mm	x16	J4		x8
------------	-----------	------------	-----------	--	-----------



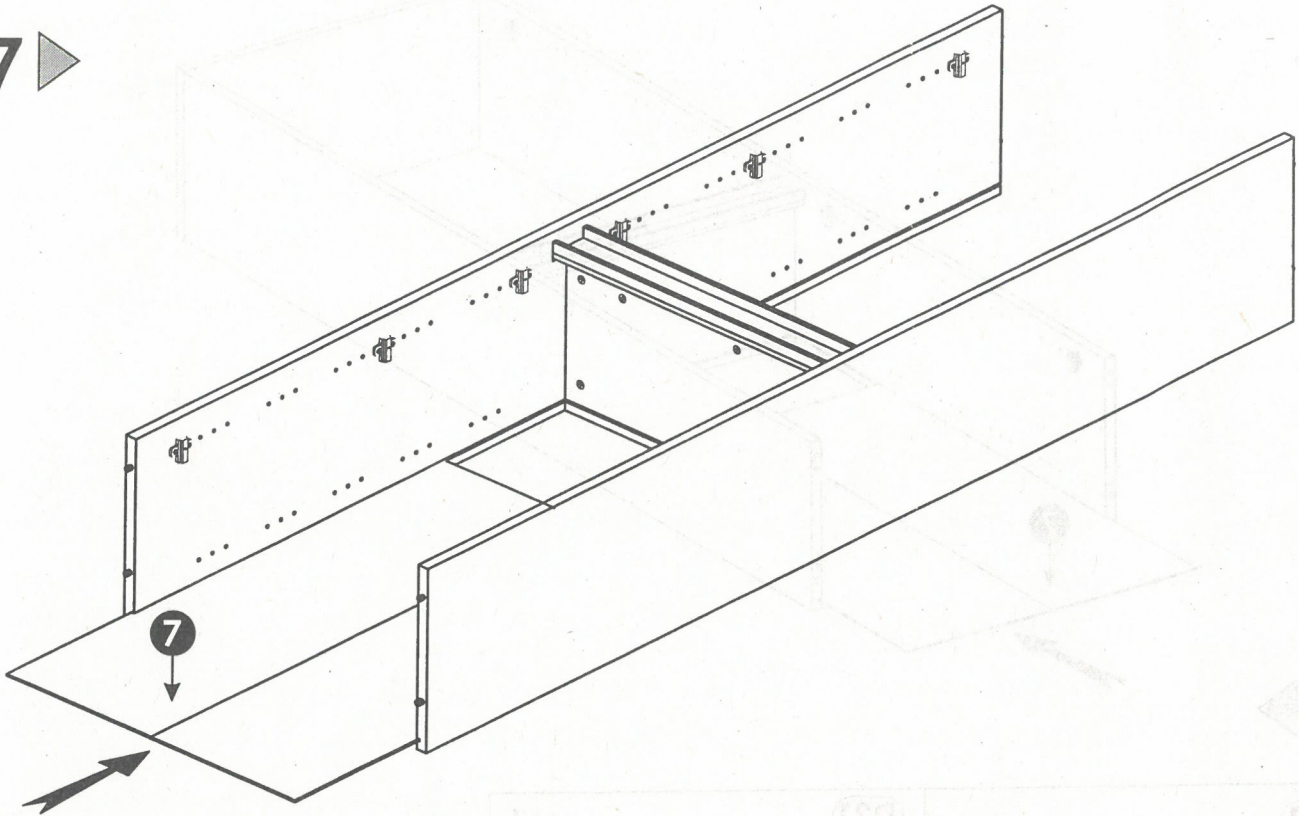
5 ▶



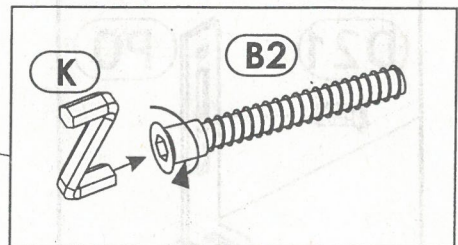
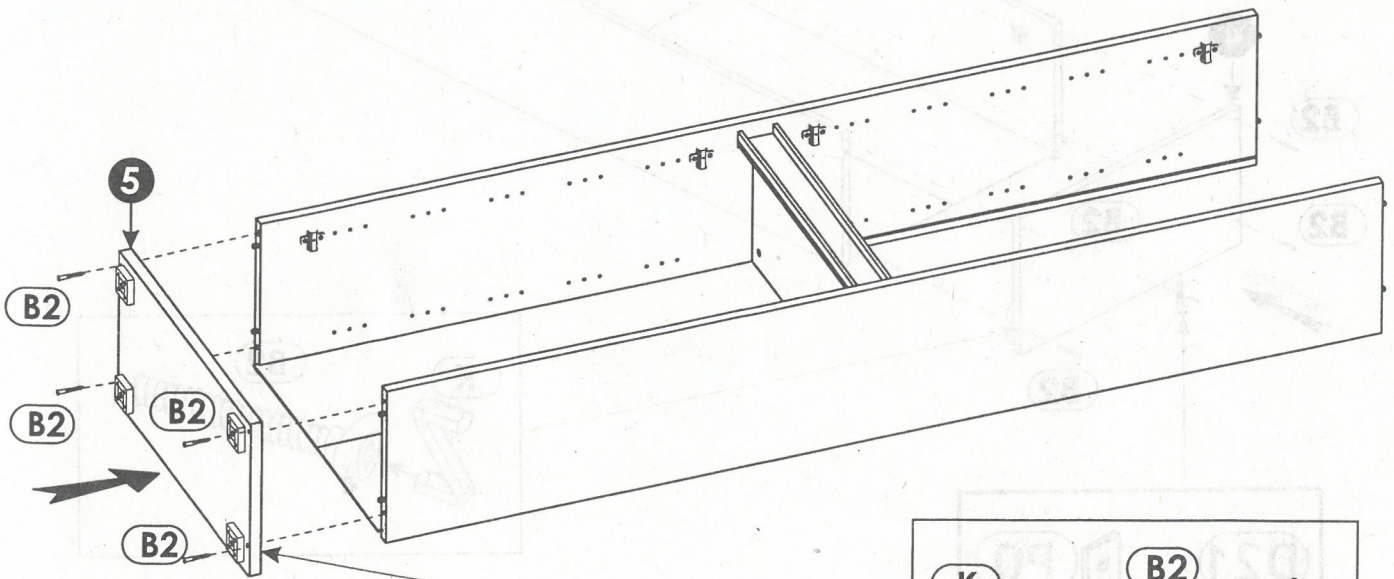
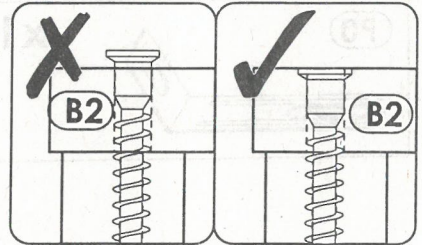
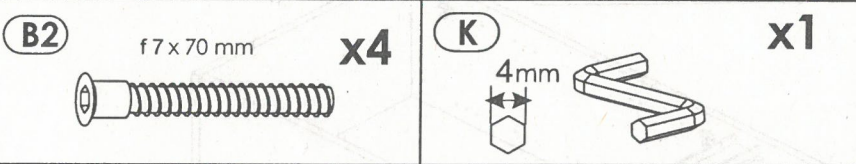
6 ▶



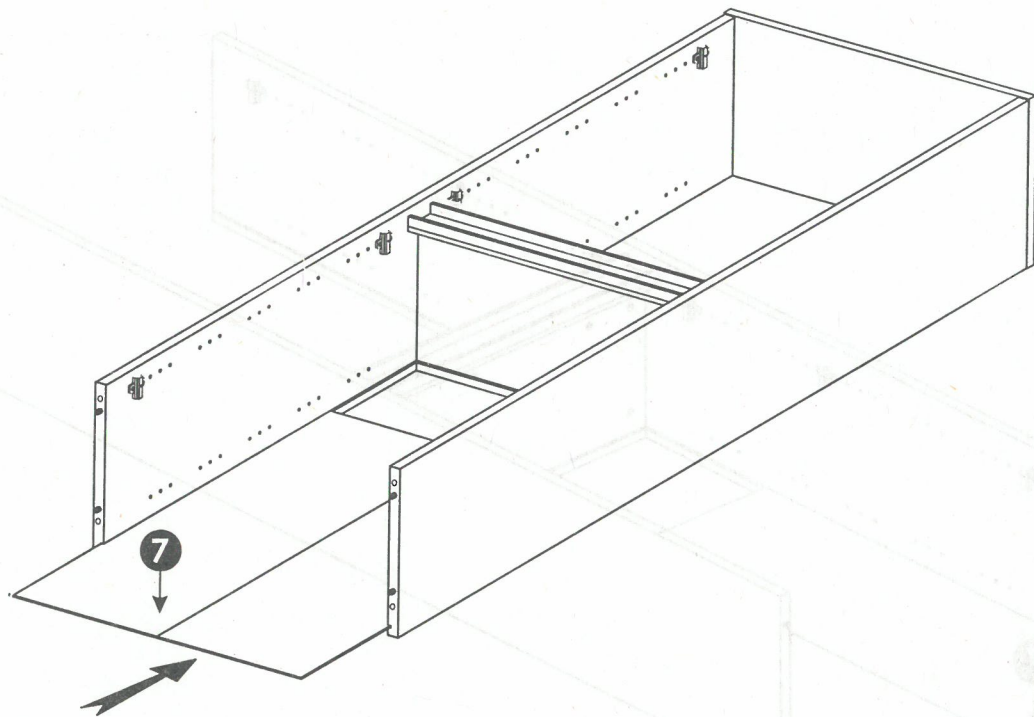
7 ▶



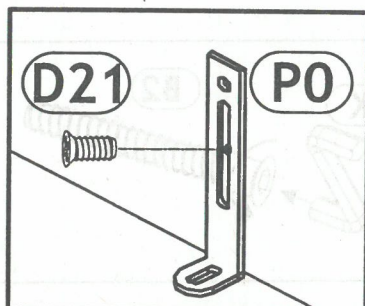
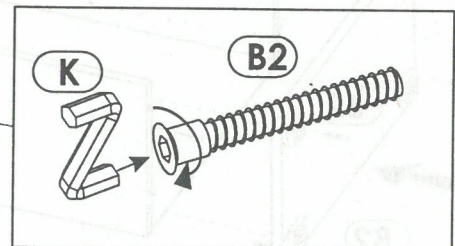
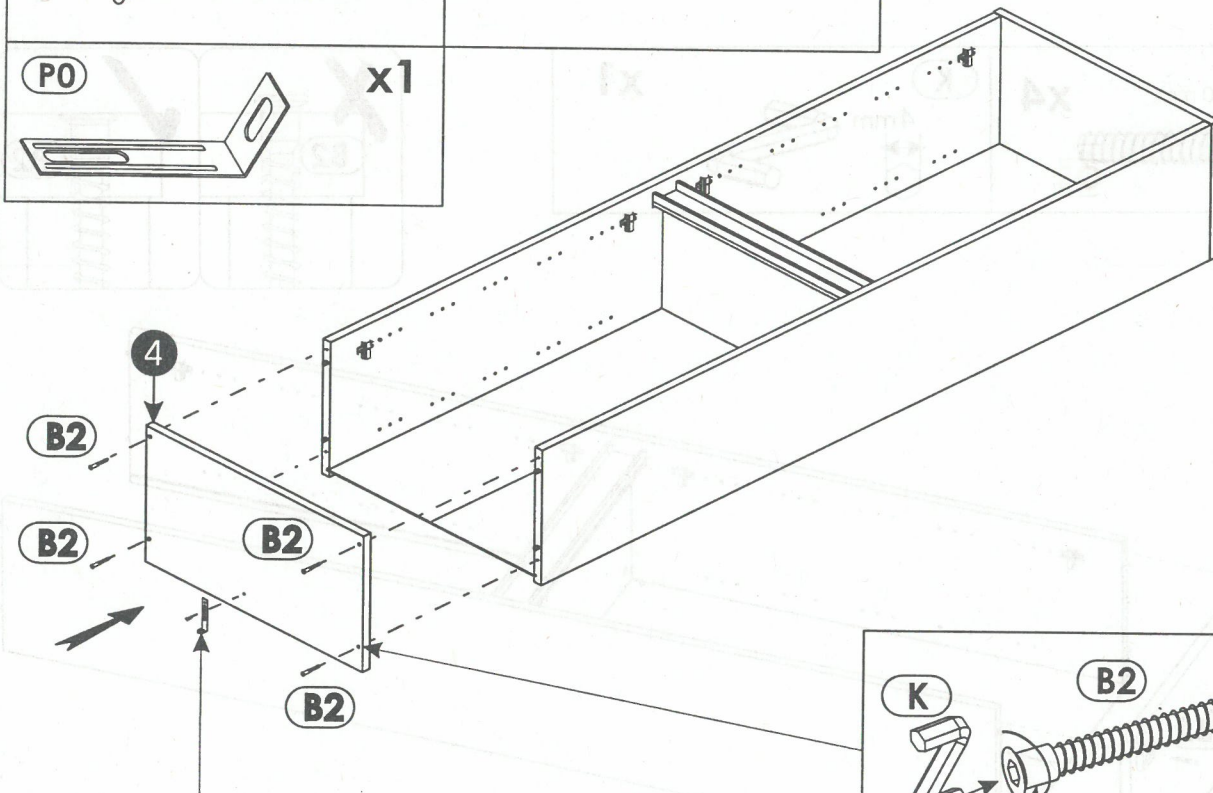
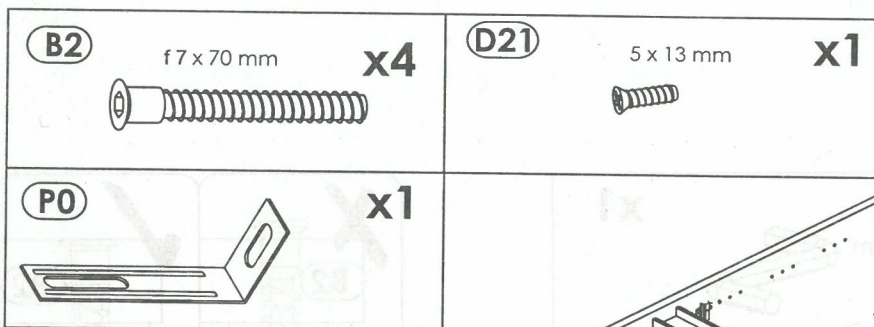
8 ▶



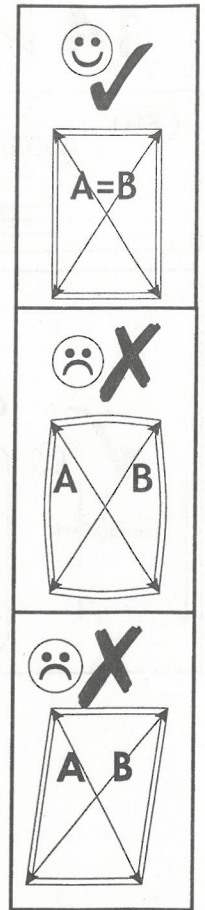
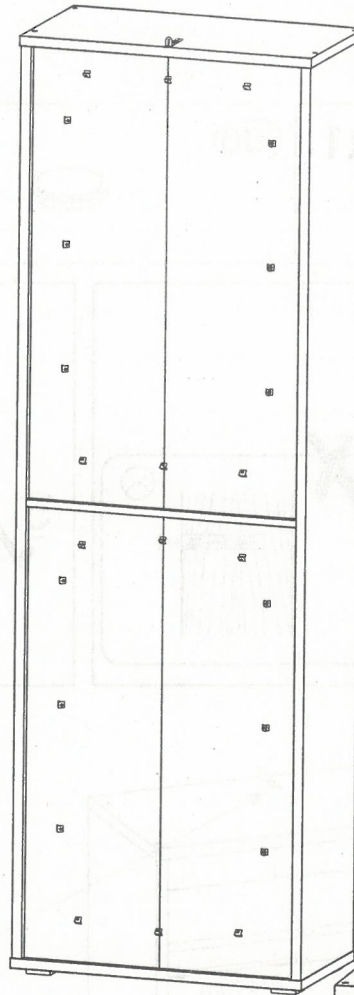
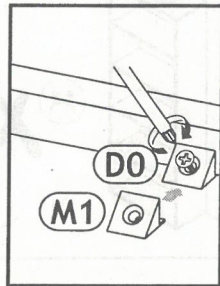
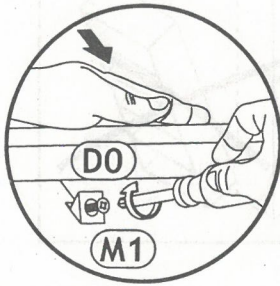
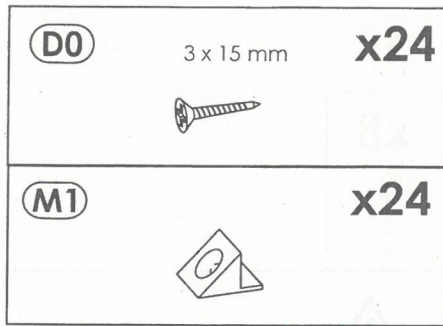
9 ▶



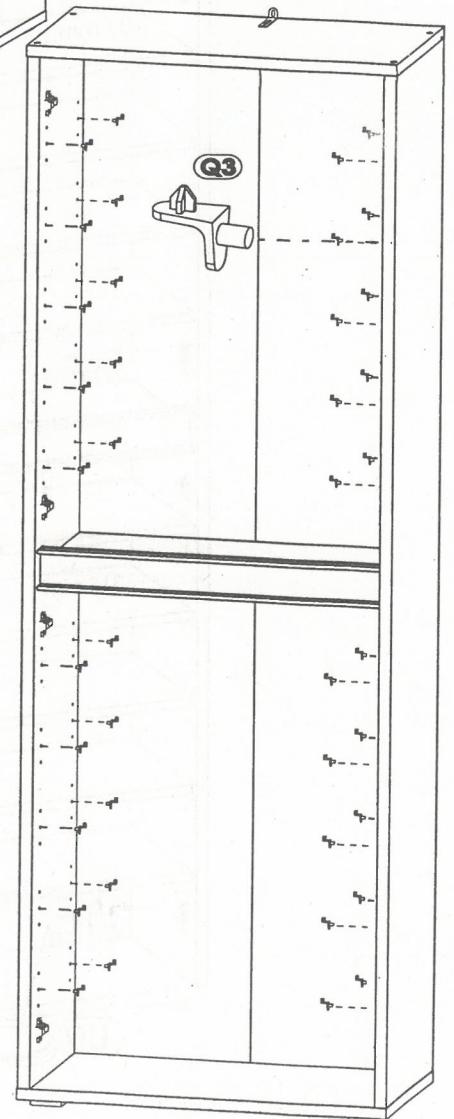
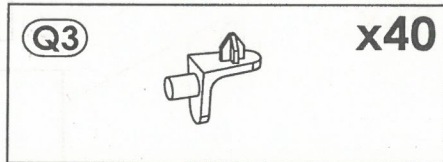
10 ▶



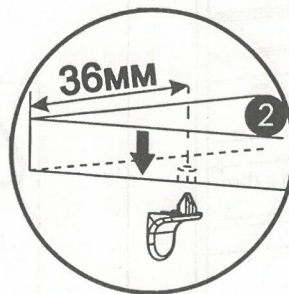
11 ▶

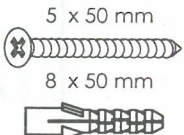



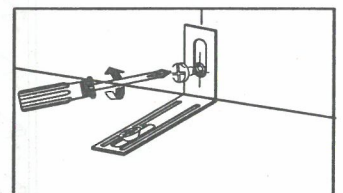
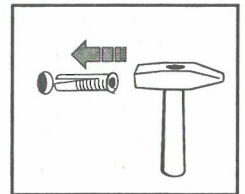
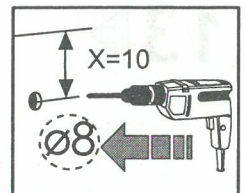
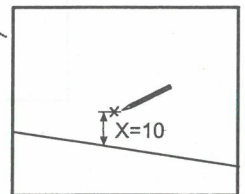
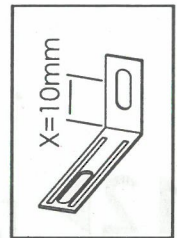
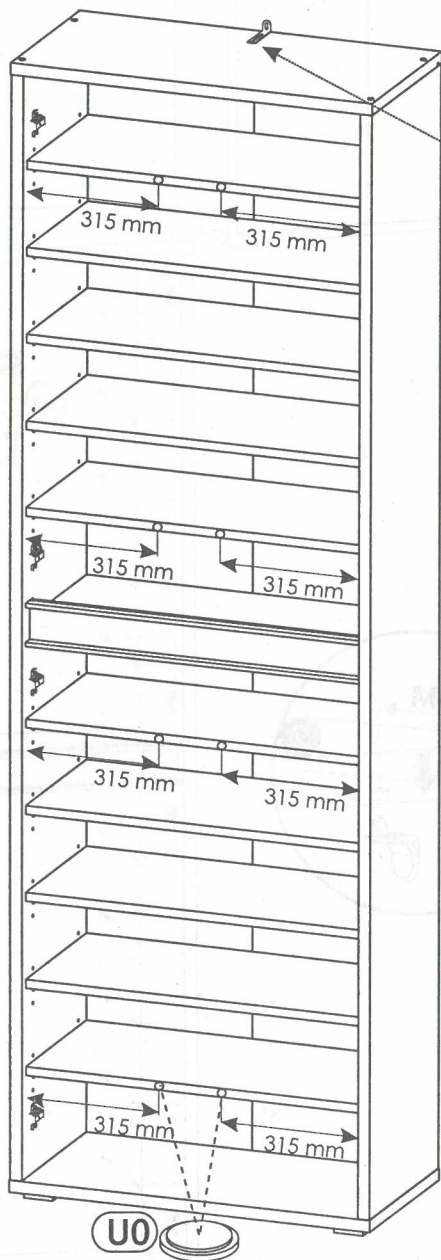
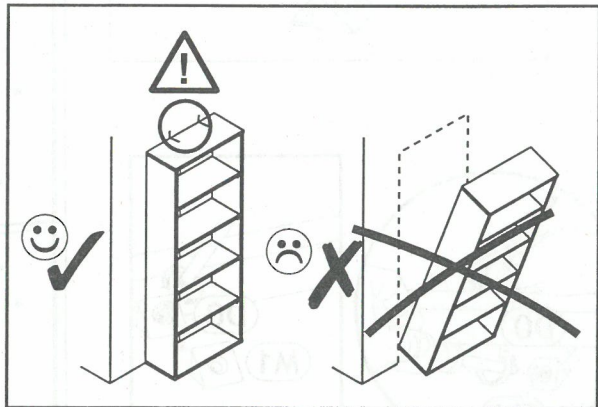
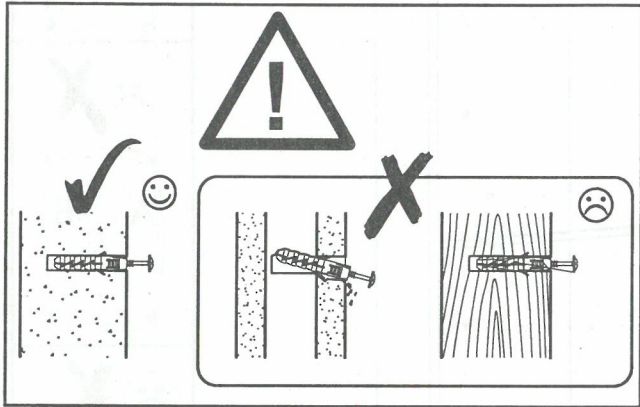
12 ▶

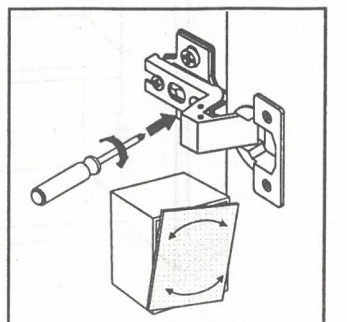
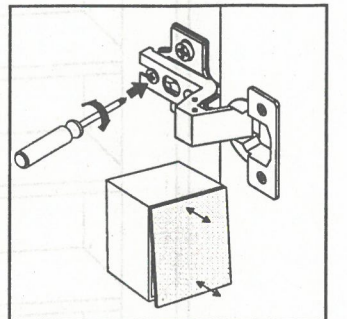
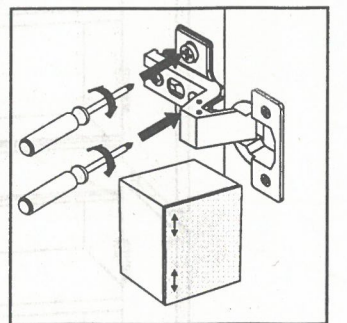
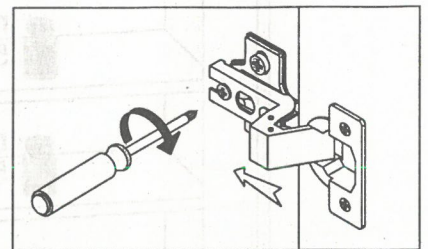
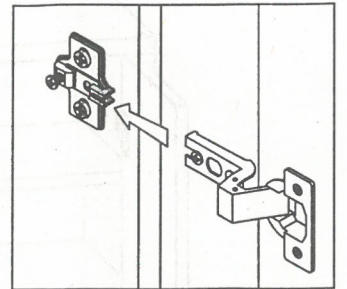
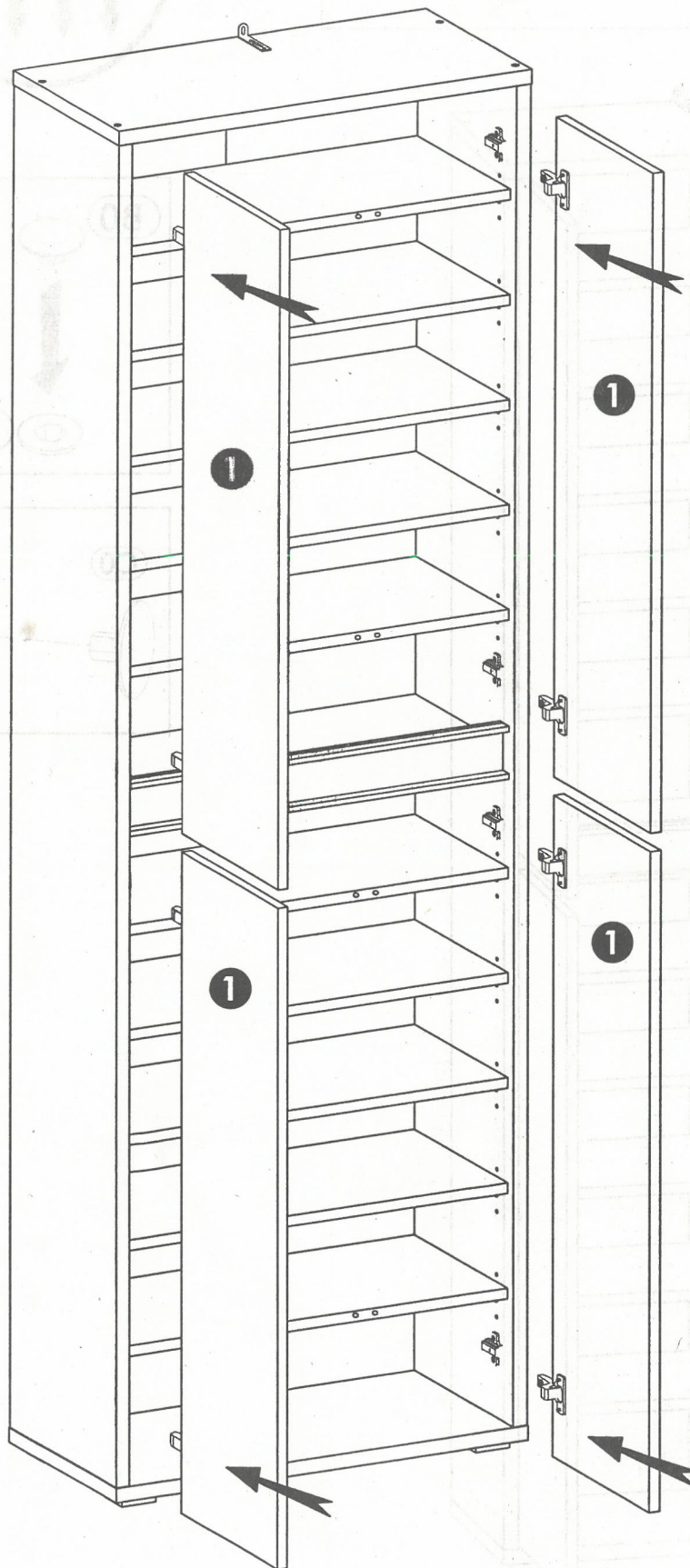


13 ▶



<p>(E0) 5 x 50 mm x1</p>  <p>8 x 50 mm</p>	<p>(U0) x8</p> 
---	--





16 ▶

