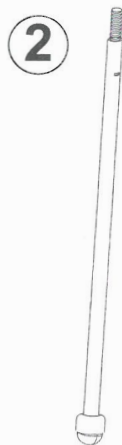
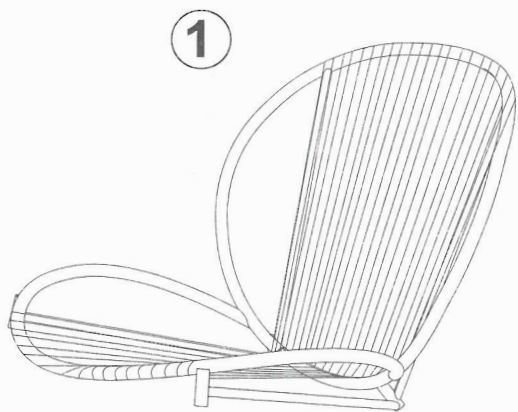
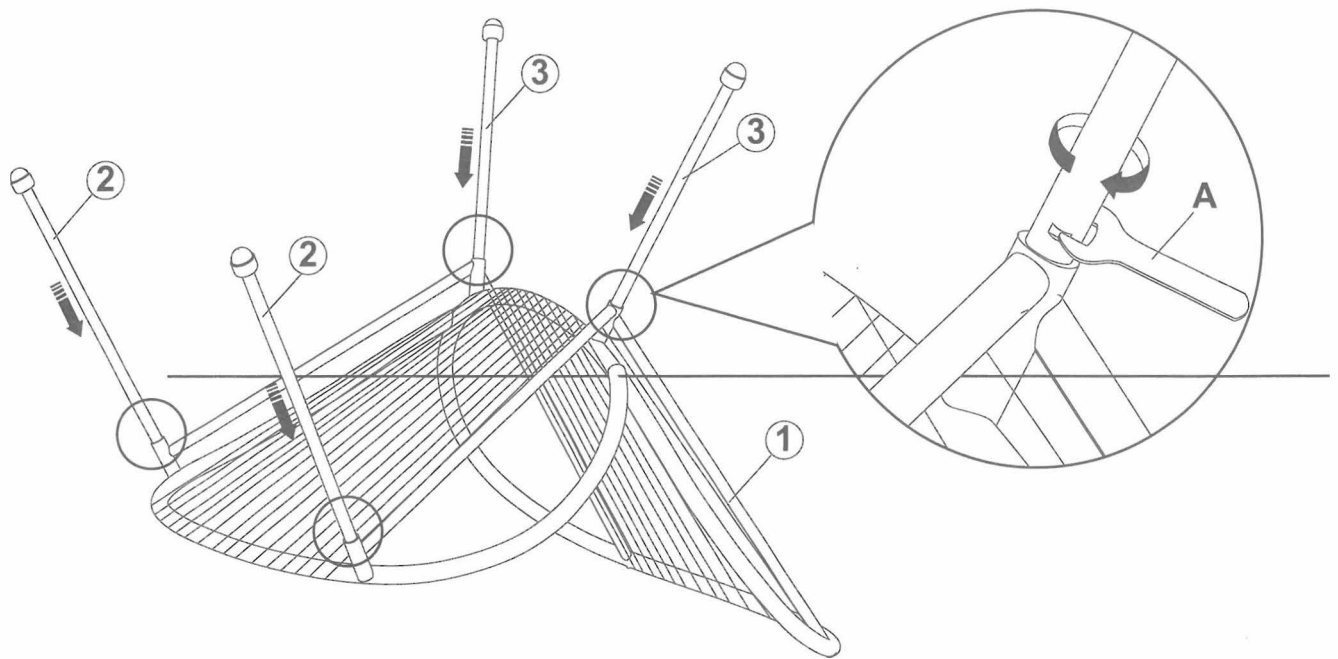


A M B I A N C E

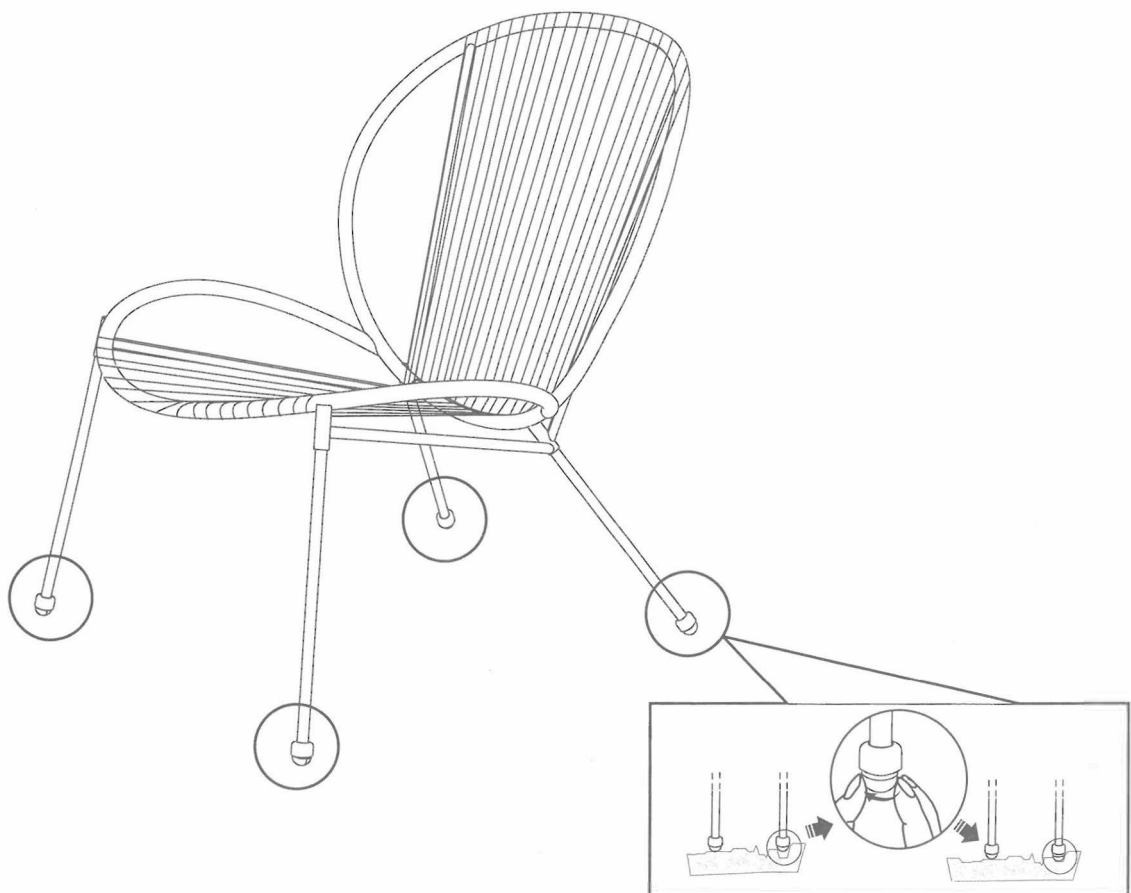




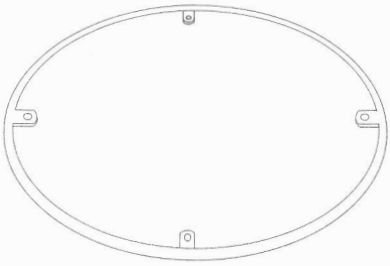
Step 1



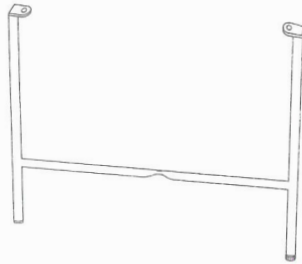
Step 2



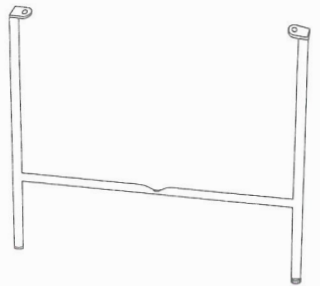
4



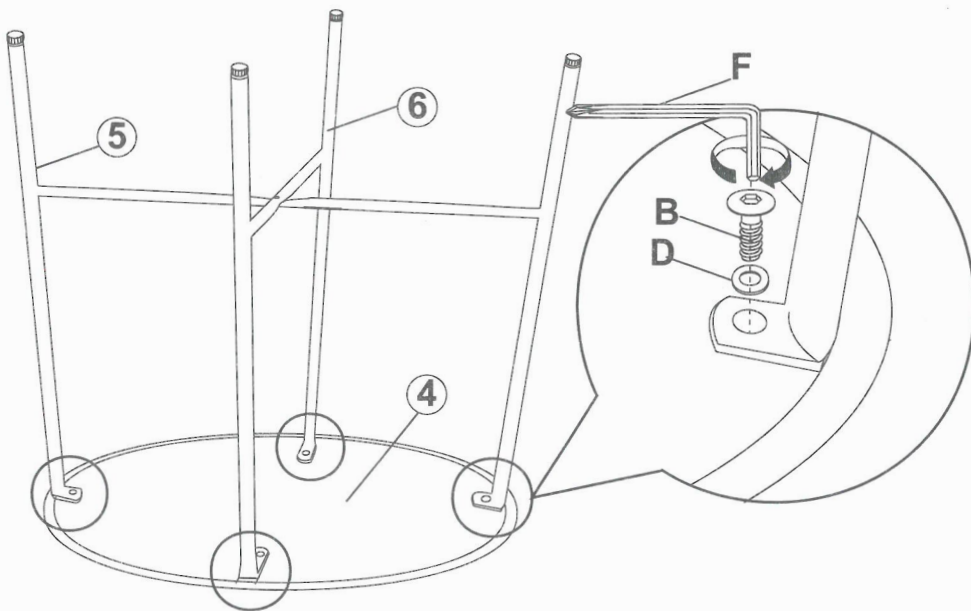
5



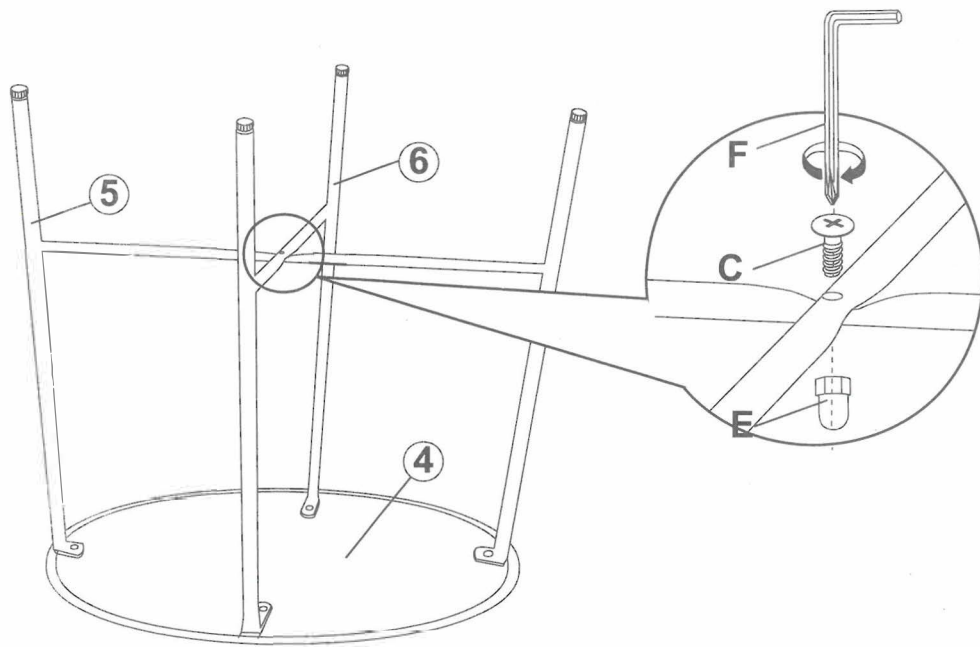
6



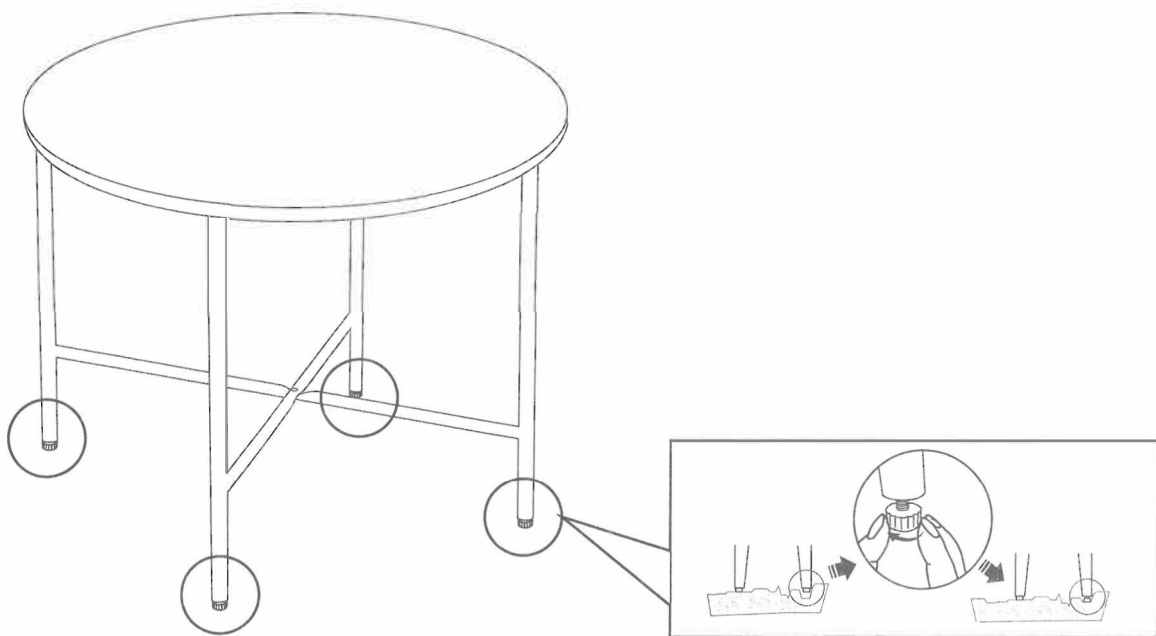
Step 1









Step 2



Step 3



A		1
B	 M8 x 15	4
C	 M5 x 15	1
D	 Ø17 x 2	4
E		1
F		1