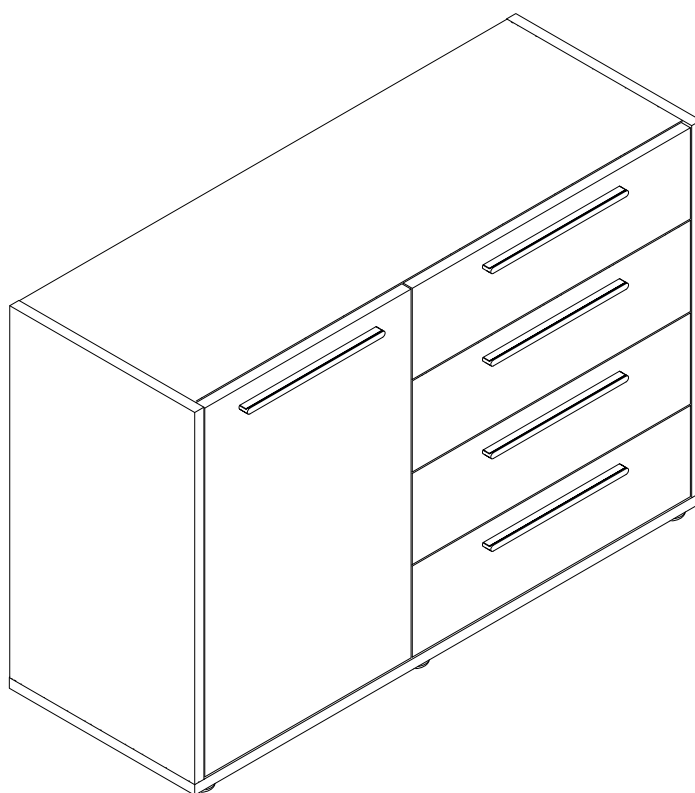
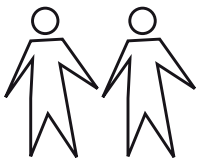


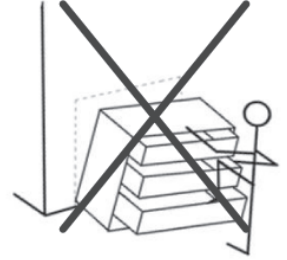
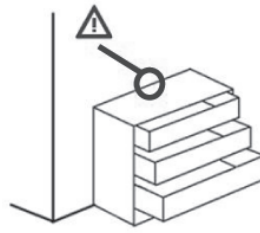
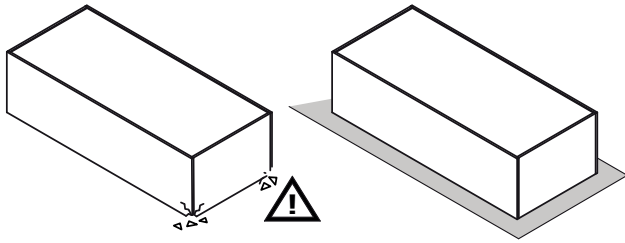
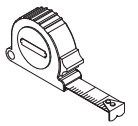
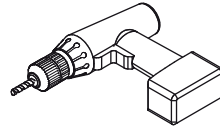
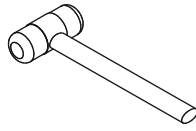
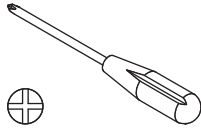
BS4943K84104



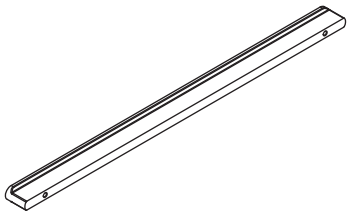
QF6083



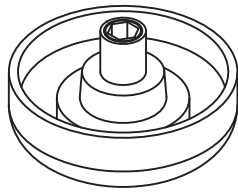
1,5h



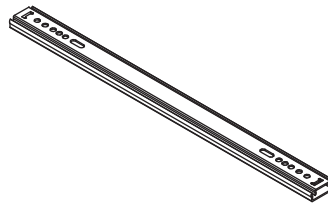
BU5201



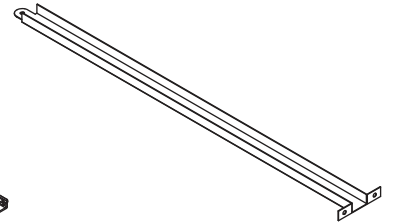
M259
x5



P37
x6

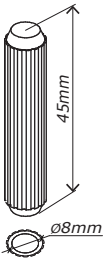


A34
x8

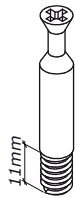


W398
x4

BU5190



H325
x12



T28
x14



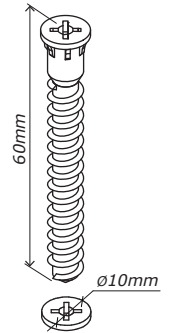
T98
x8



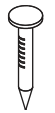
T99
x6



R40
x4



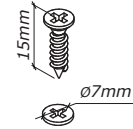
V57
x6



H15
x4



H2
x12



V5
x28



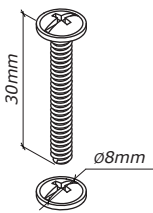
H54
x16



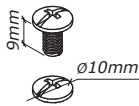
H113
x10



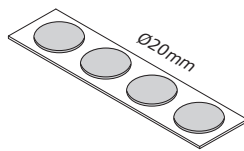
G149
x1



V35
x10



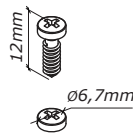
V38
x8



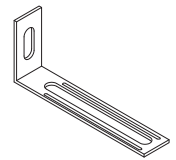
G161
x8



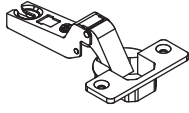
H129
x4



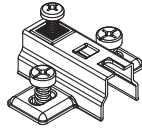
V98
x16



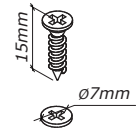
H337
x2



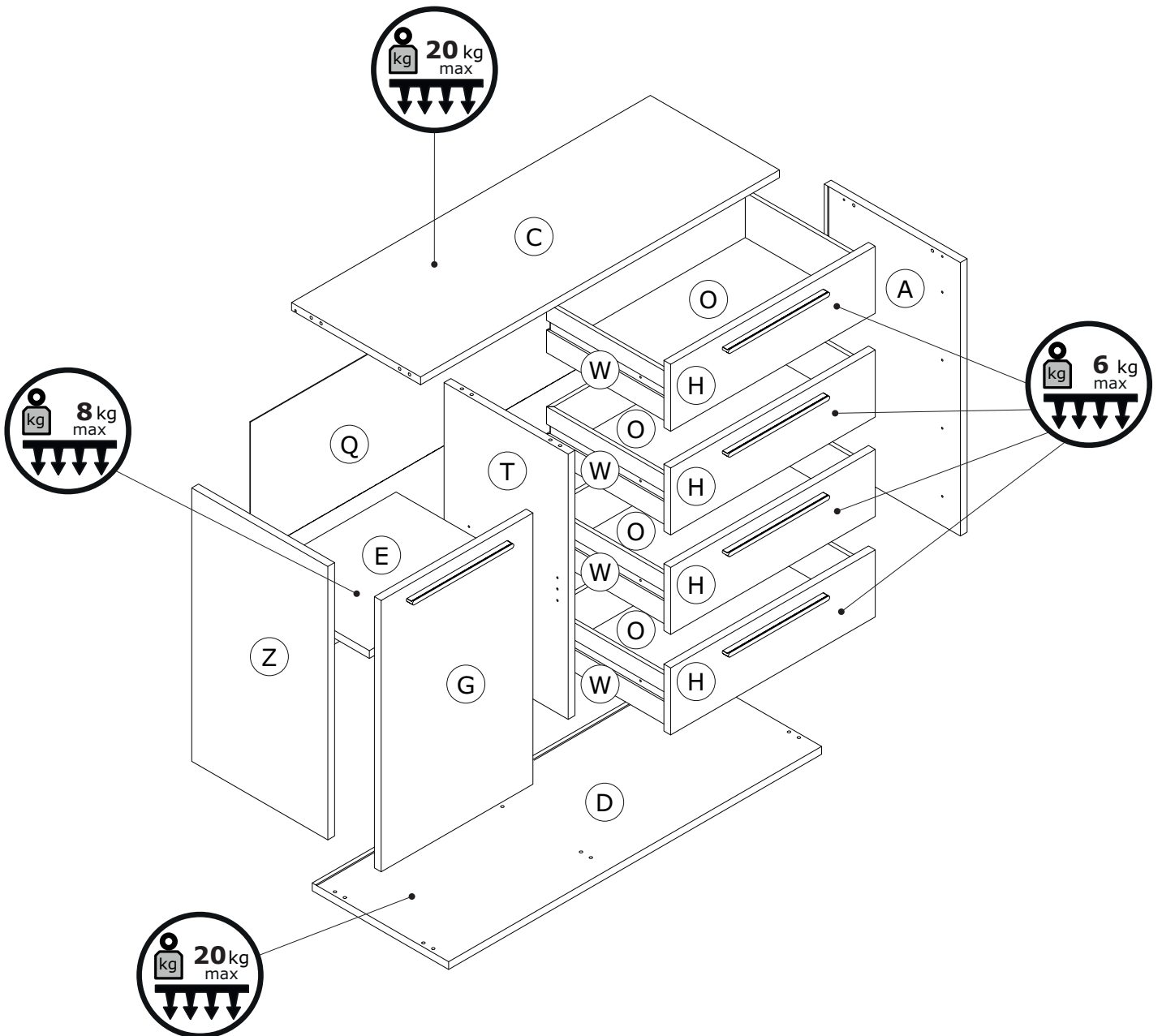
C55
x2

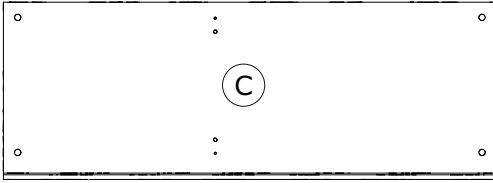


B31
x2

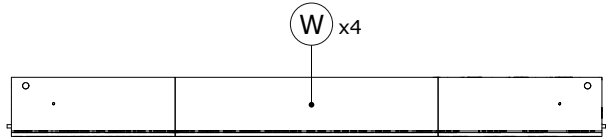


V5
x4

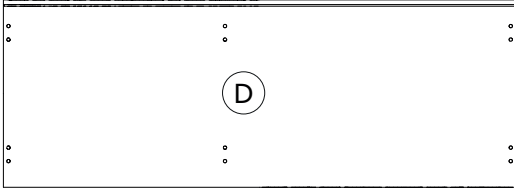




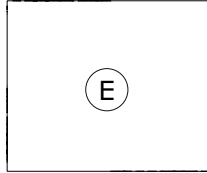
CA4016
1168x420x22mm



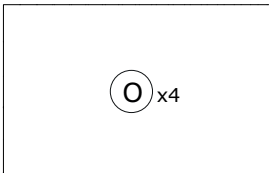
OF0681
400x647x400mm H140mm



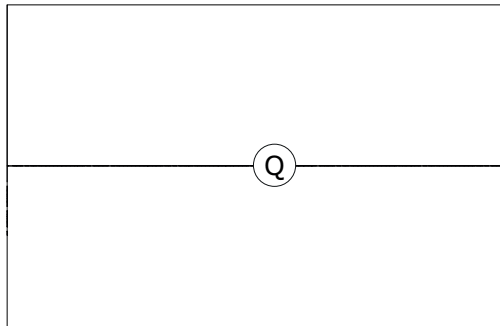
BA2463
1214x444x22mm



PI7698
491x404x22mm

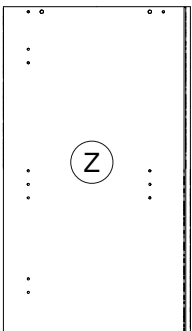


SH3537
634x401x2mm

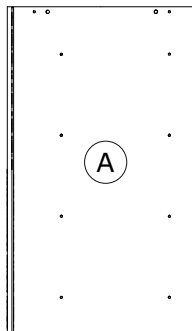


SH3910
1183x763x2mm

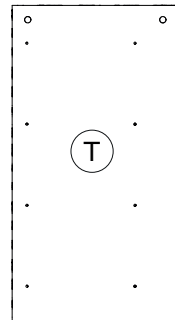
BOX 1/2



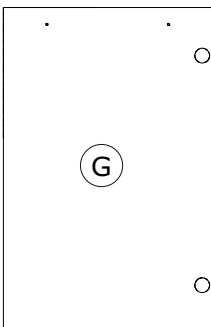
FI9551
771x443x22mm



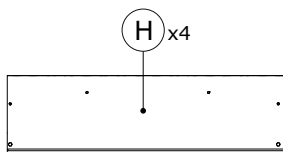
FI9555
771x443x22mm



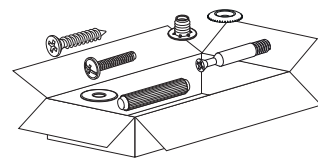
TR2570
748x404x22mm



AN3342
765x494x22mm

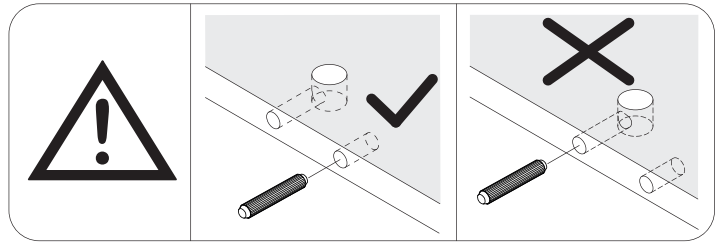
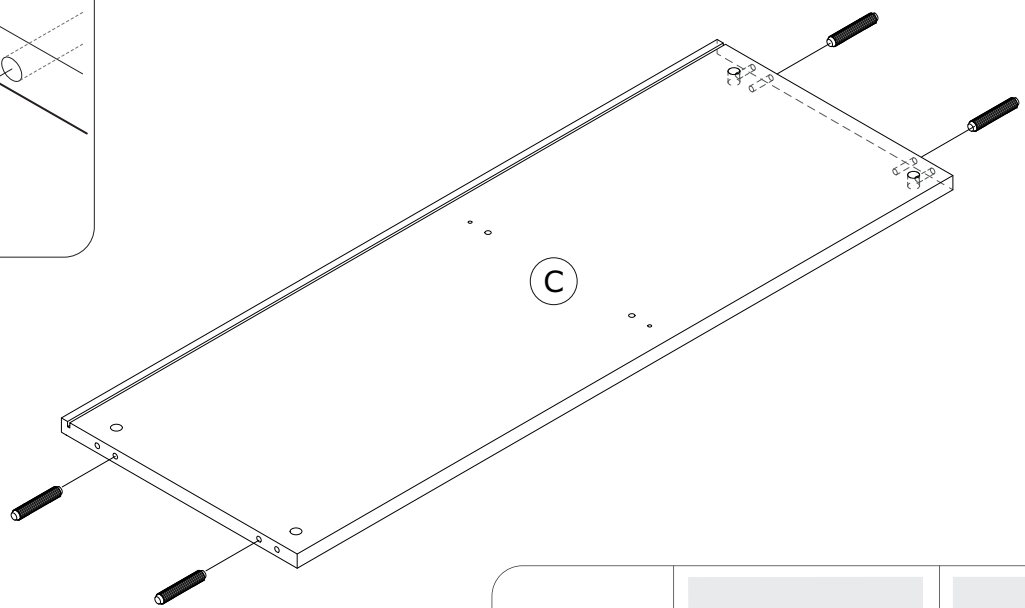
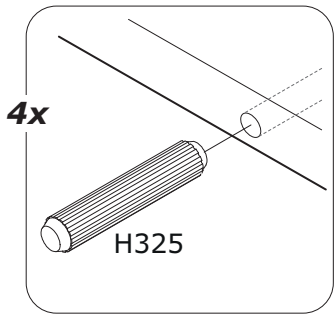
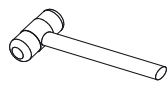


CS5043
666x189x22mm

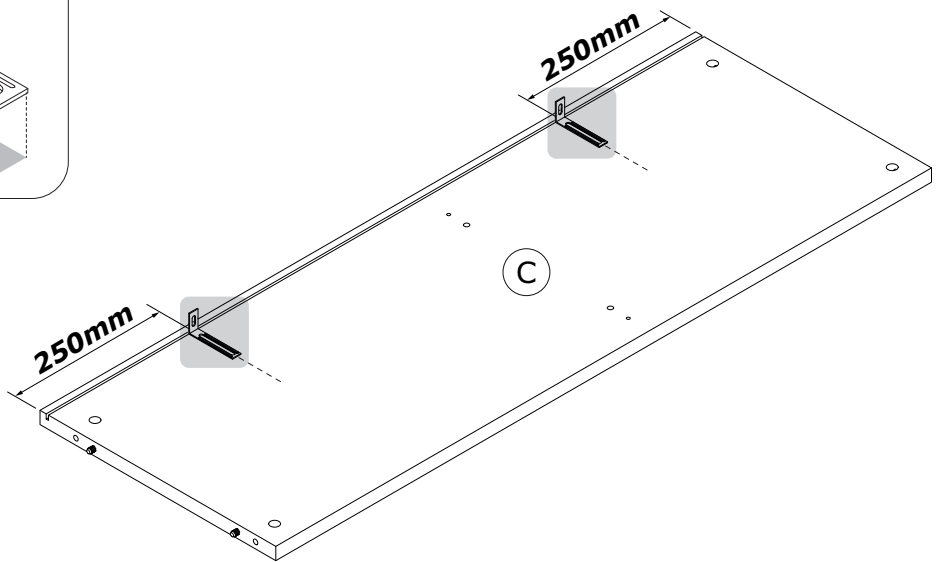
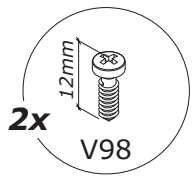
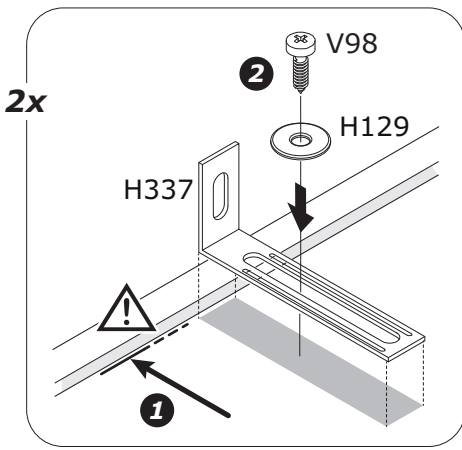
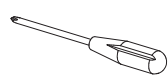


BOX 2/2

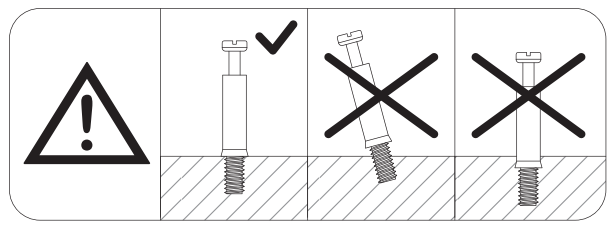
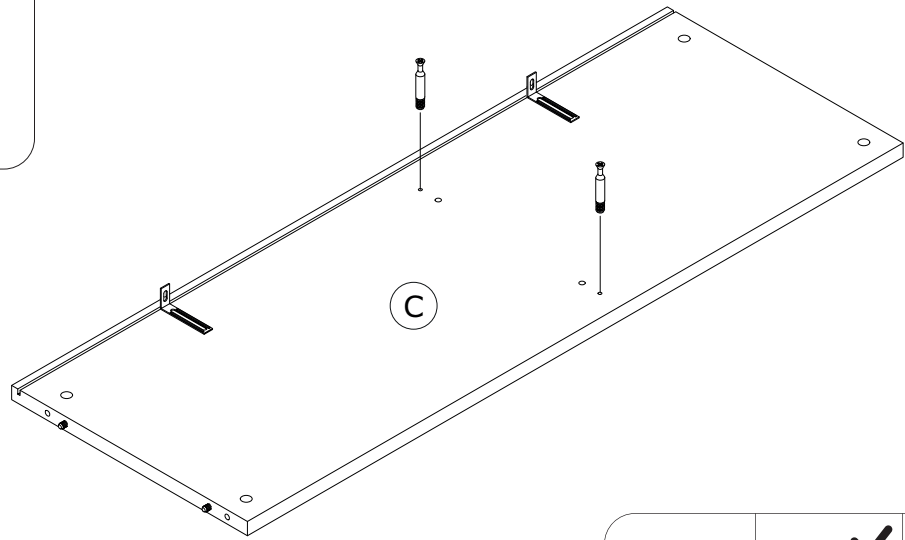
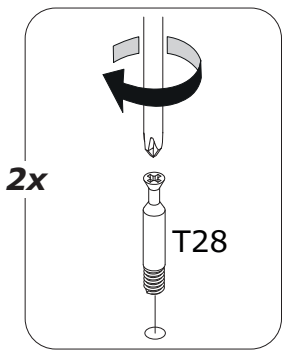
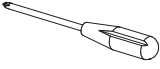
1



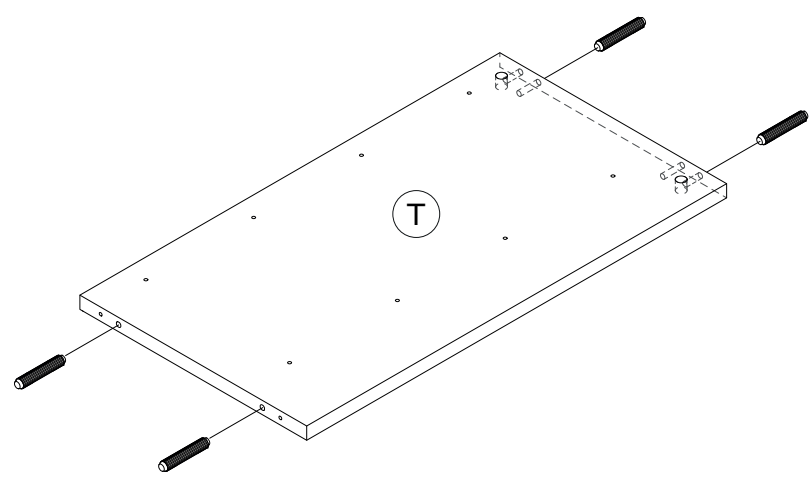
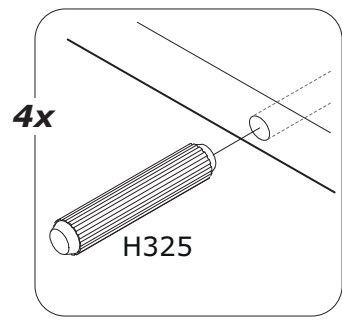
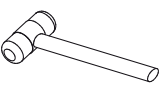
2



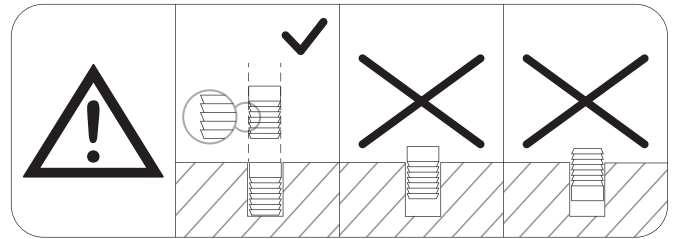
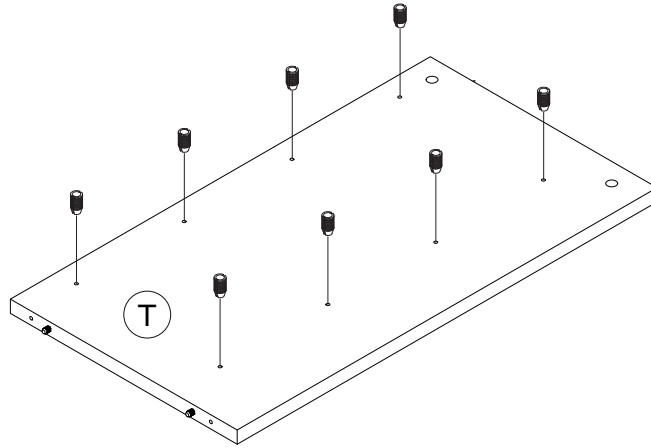
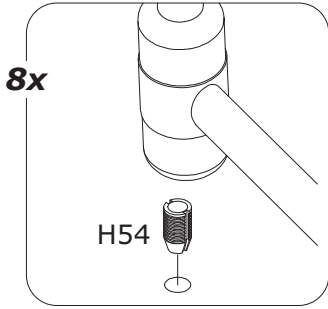
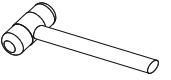
3



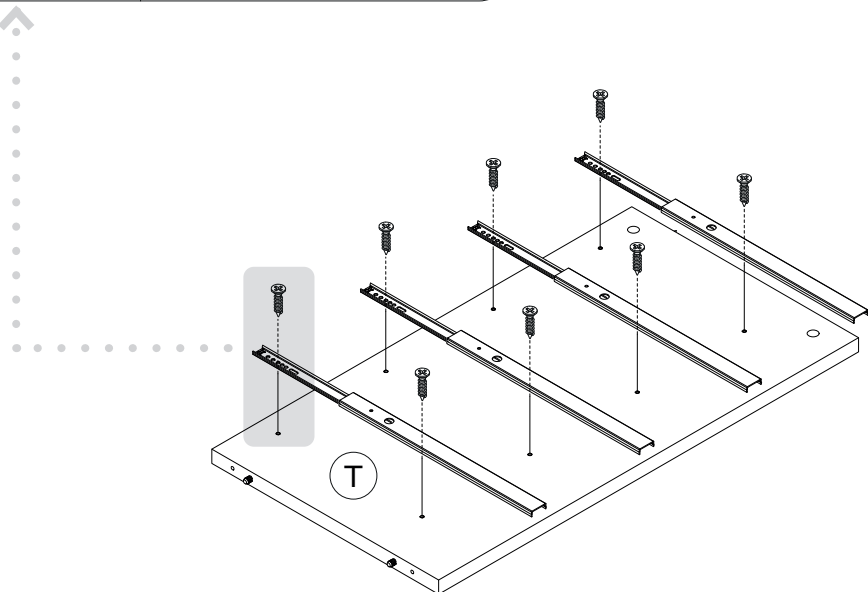
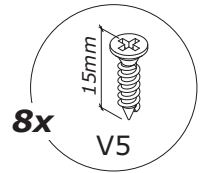
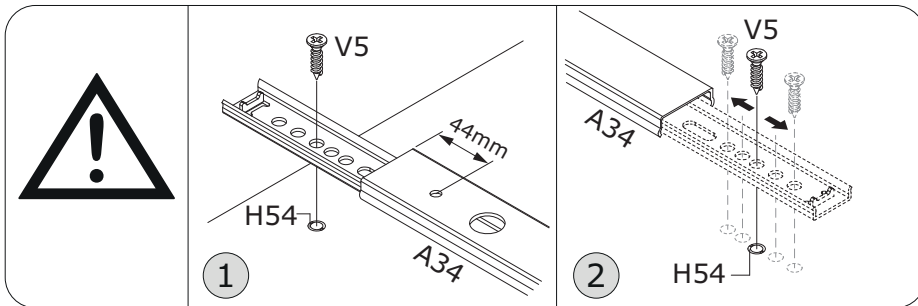
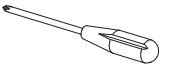
4



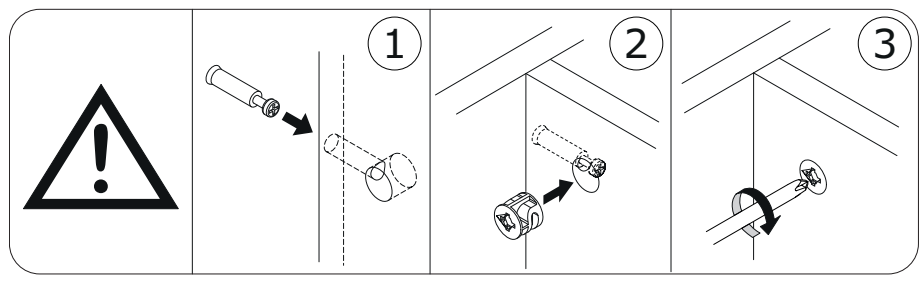
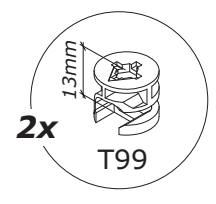
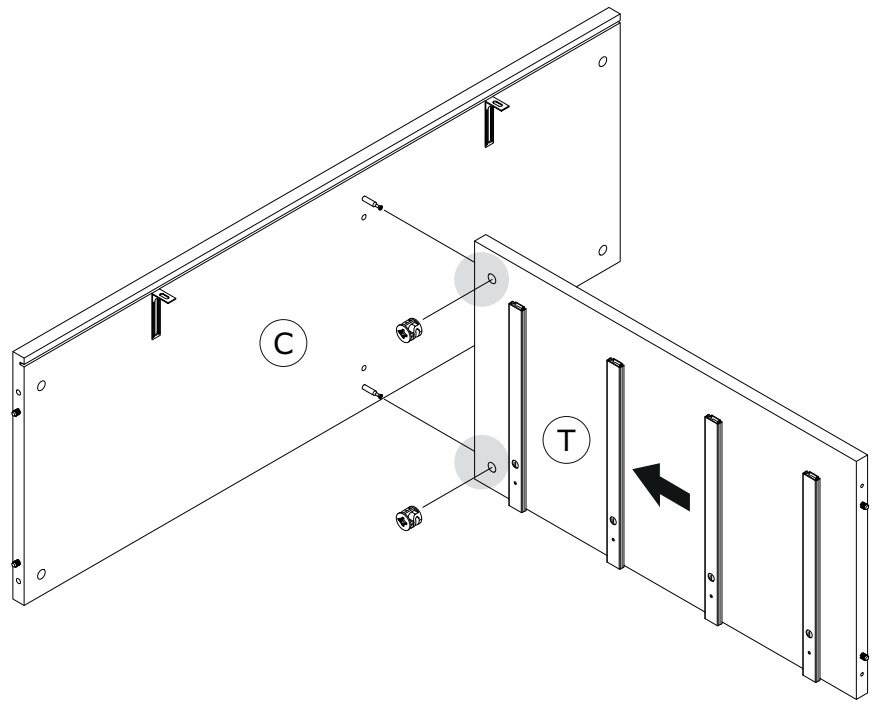
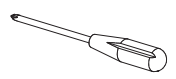
5



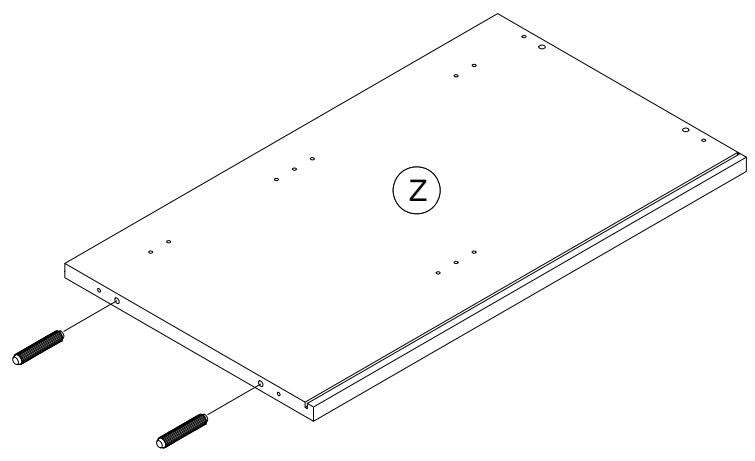
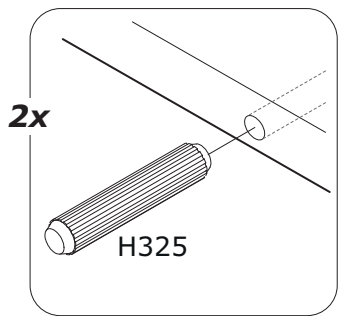
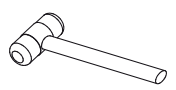
6



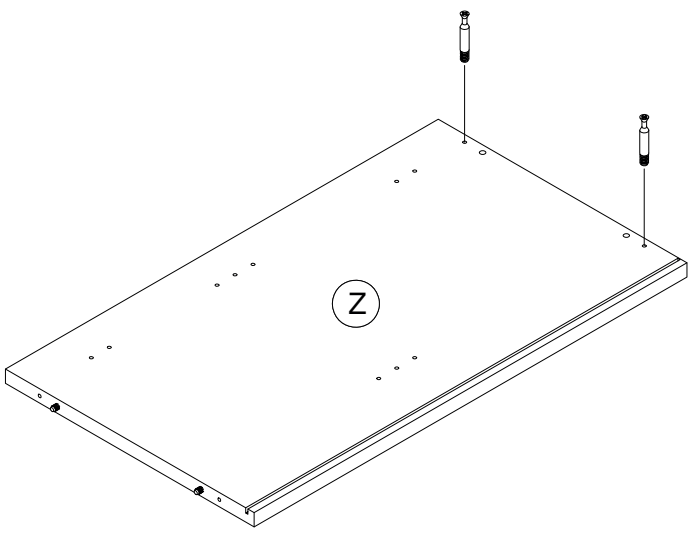
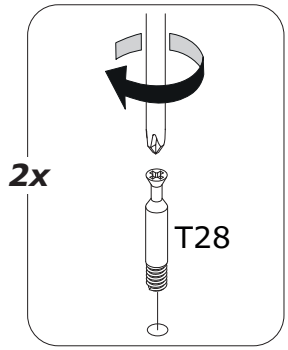
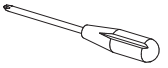
7



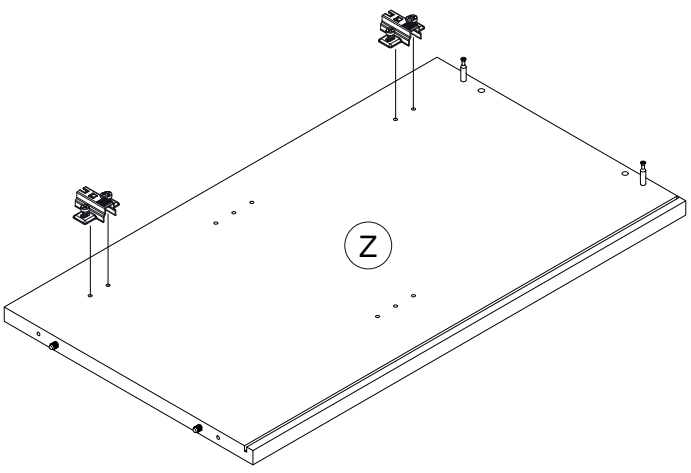
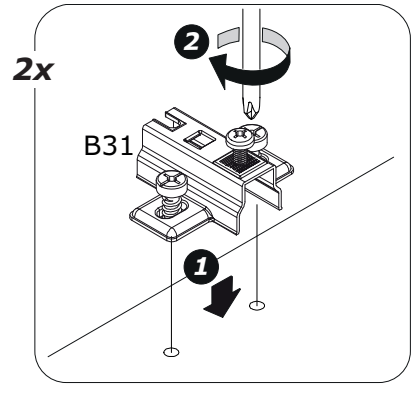
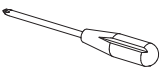
8



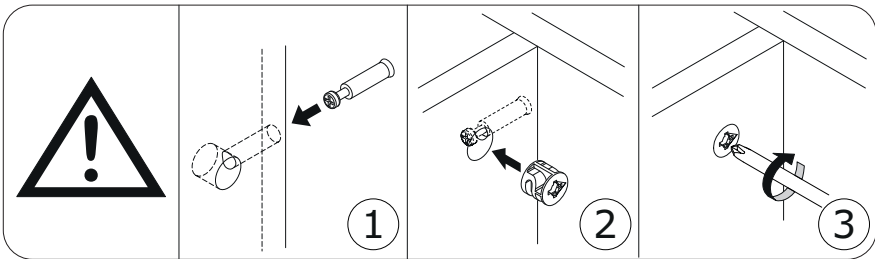
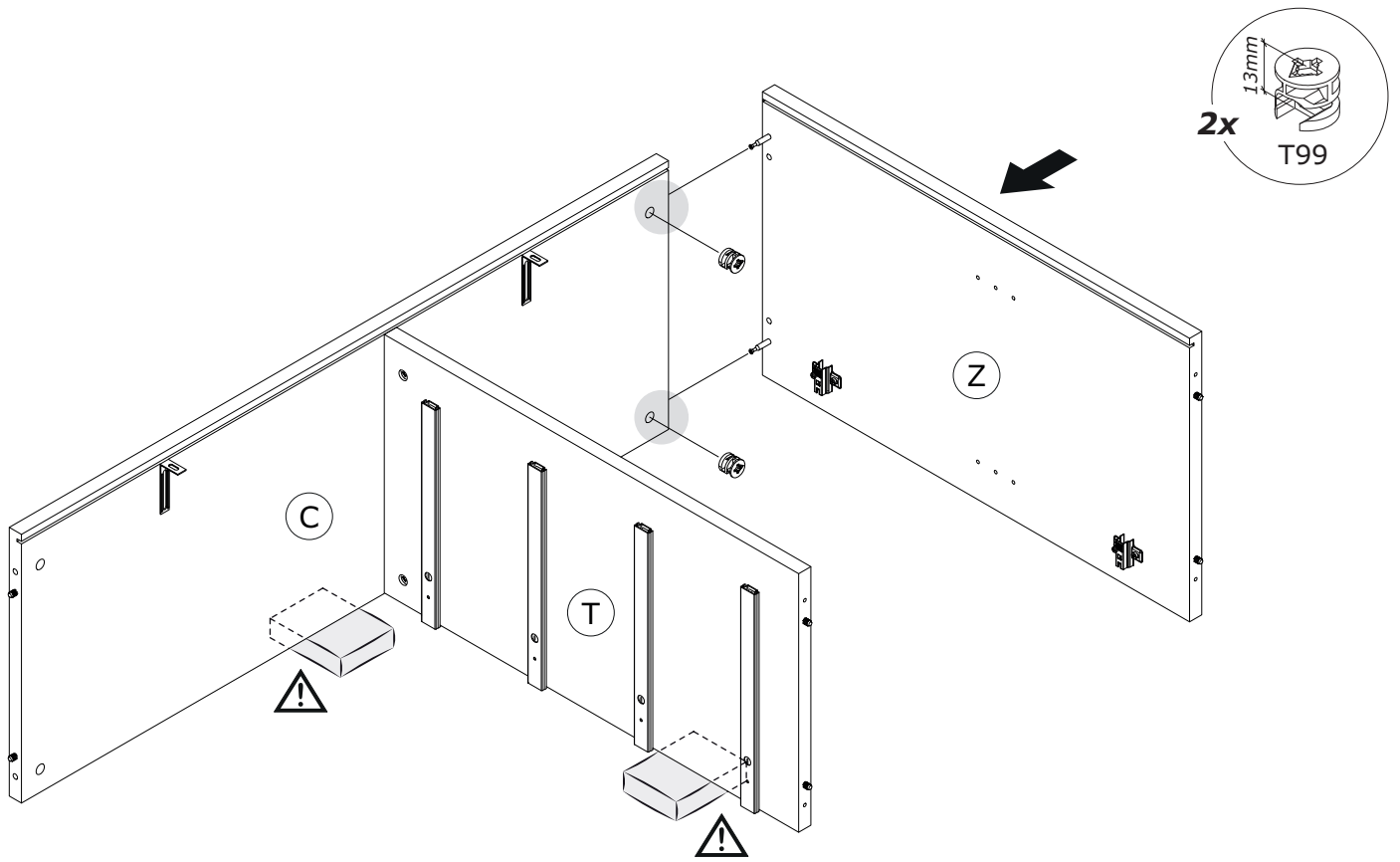
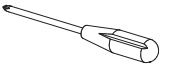
9



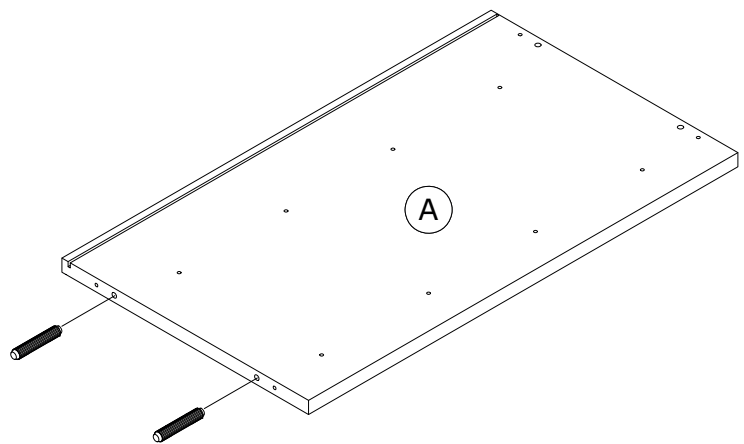
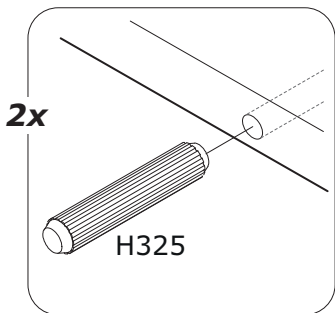
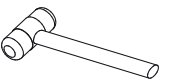
10



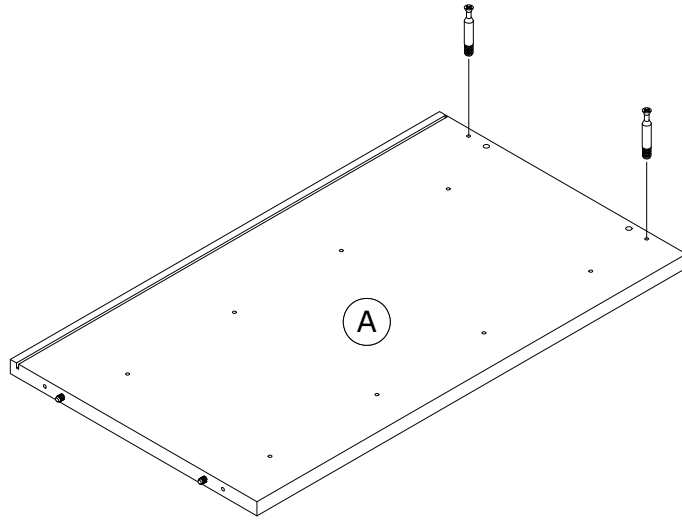
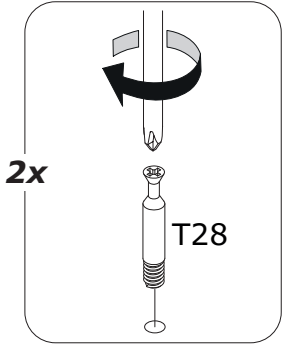
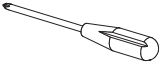
11



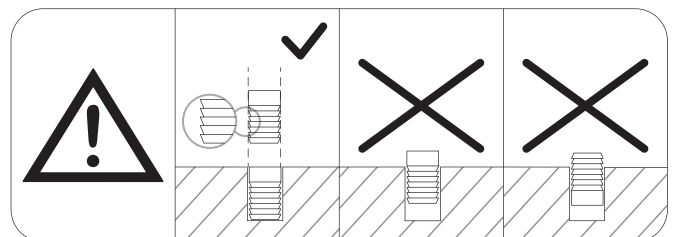
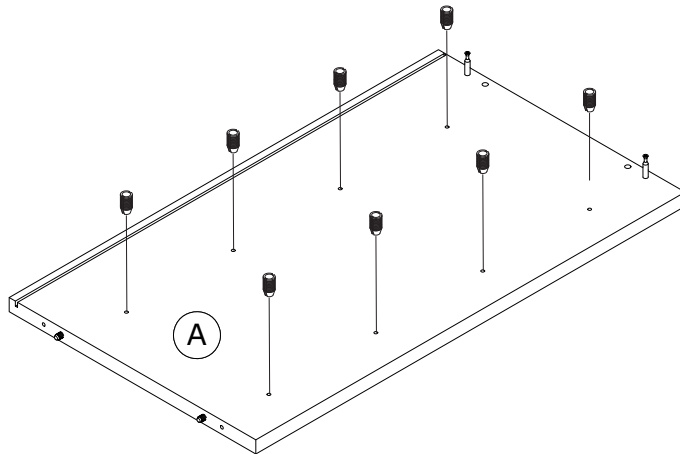
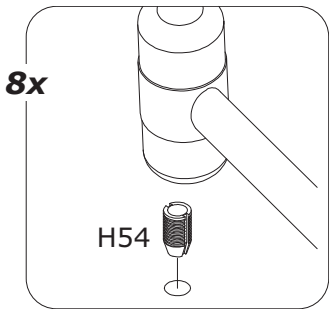
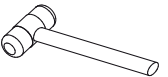
12



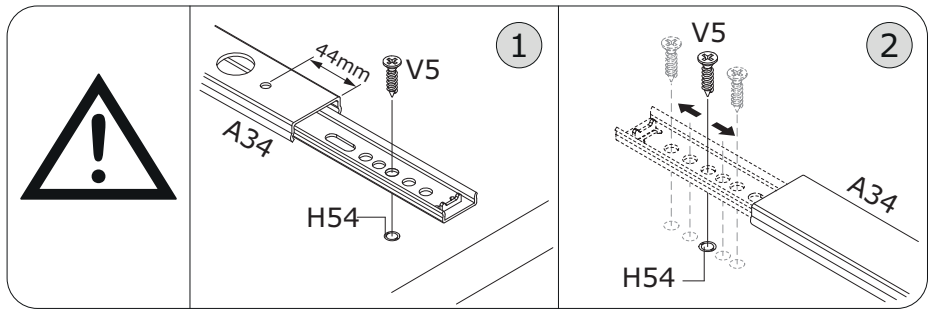
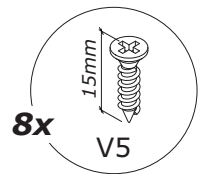
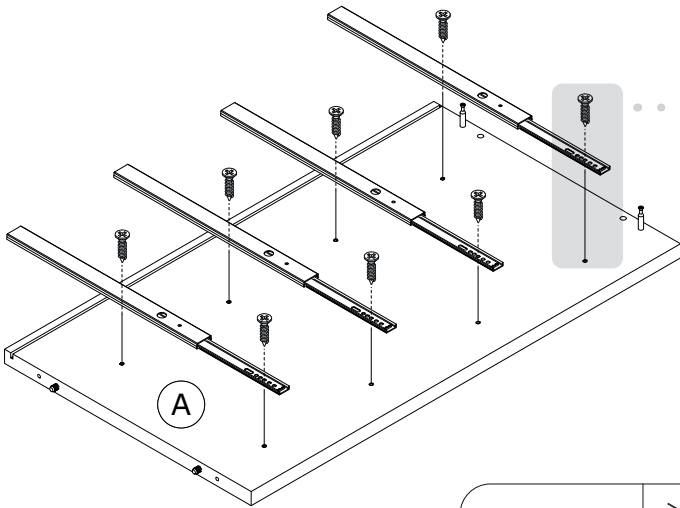
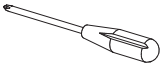
13



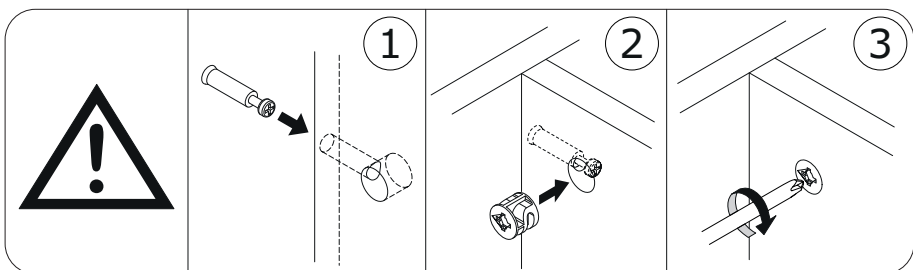
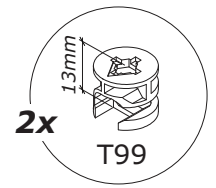
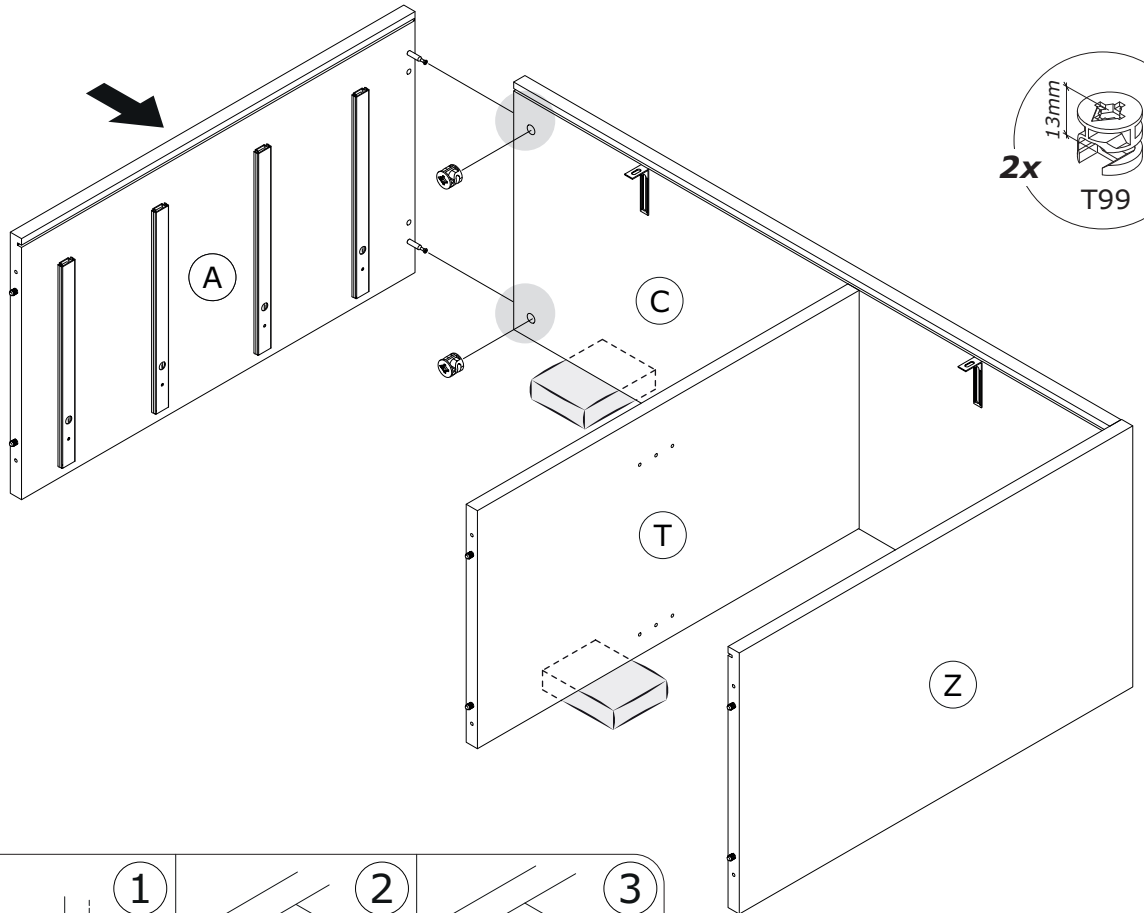
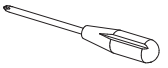
14

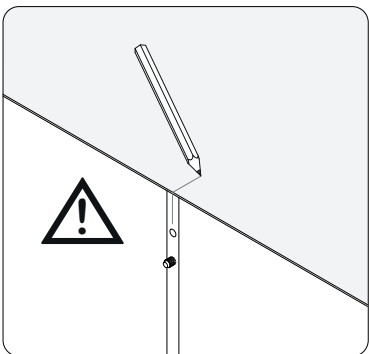
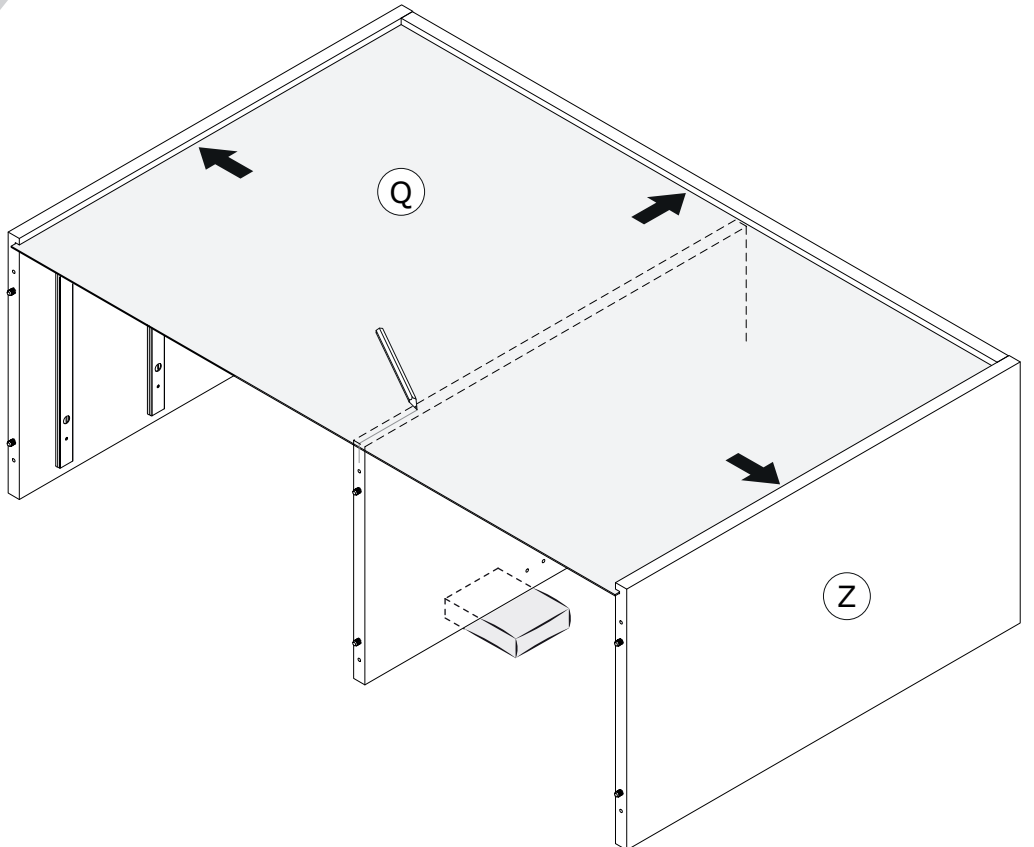
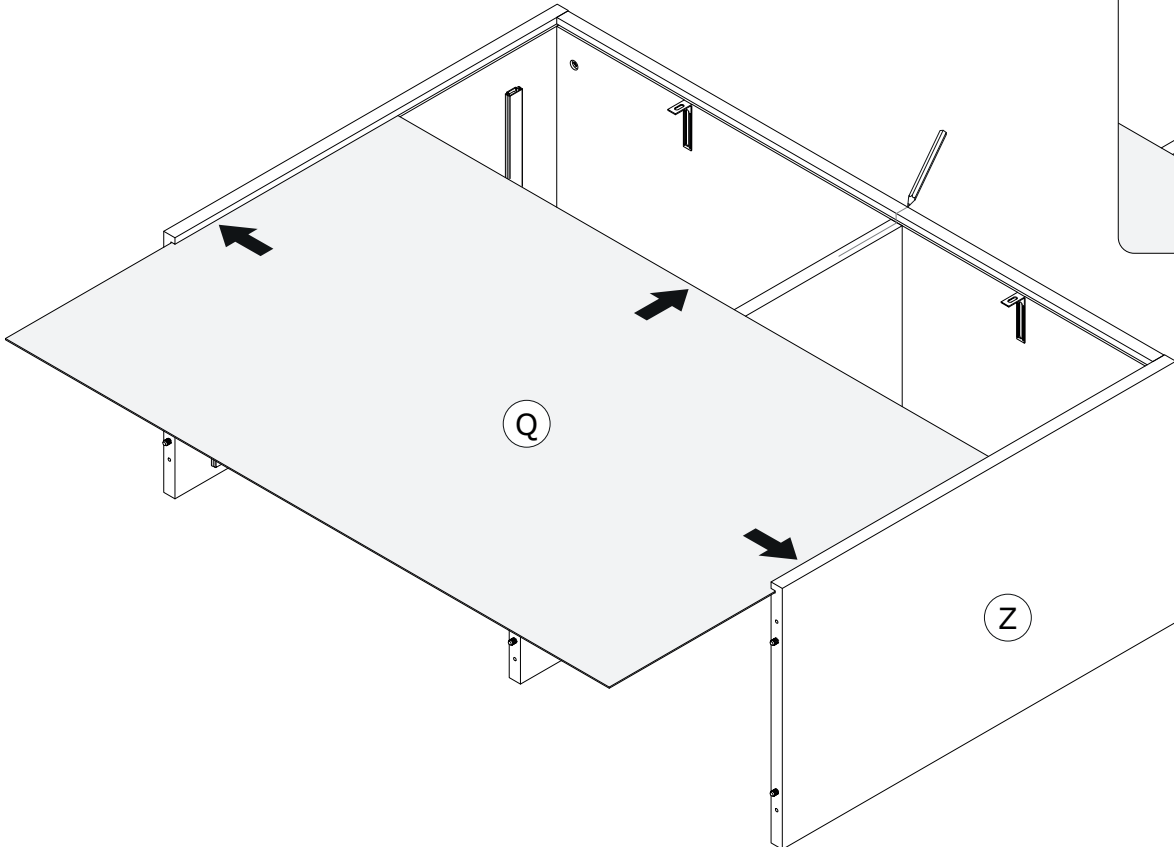


15

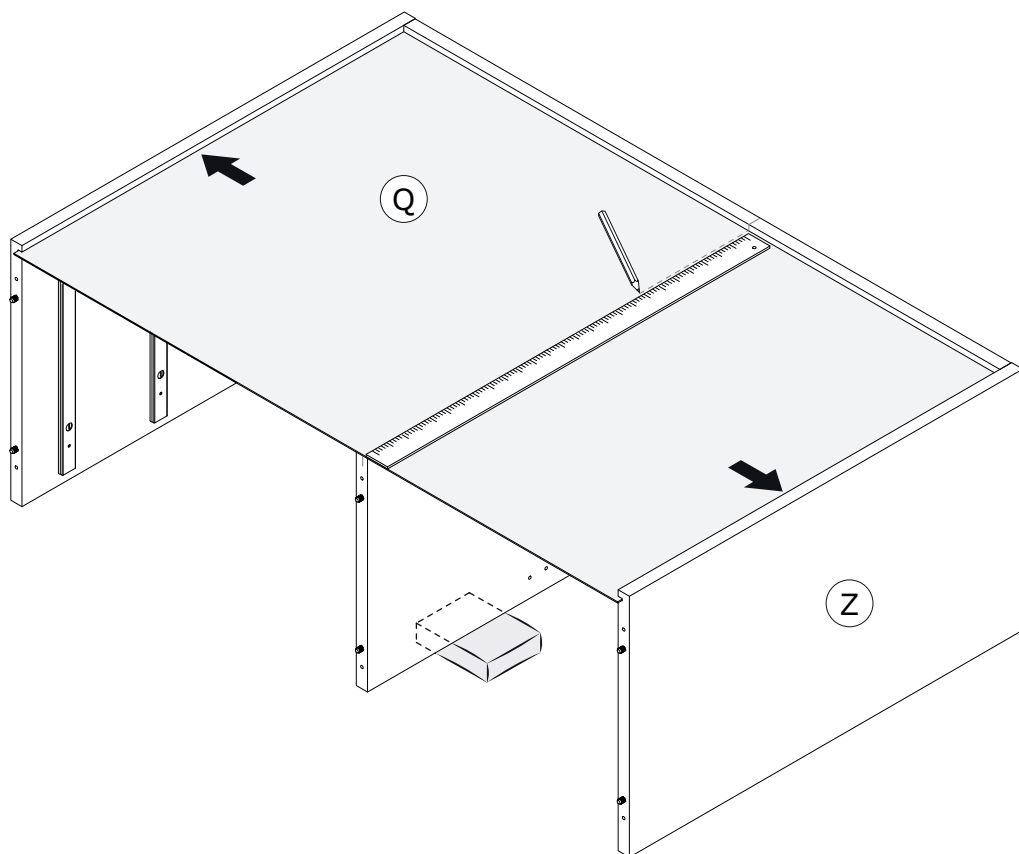
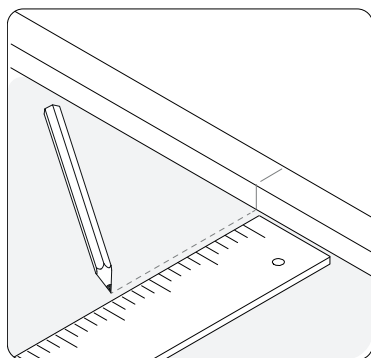


16

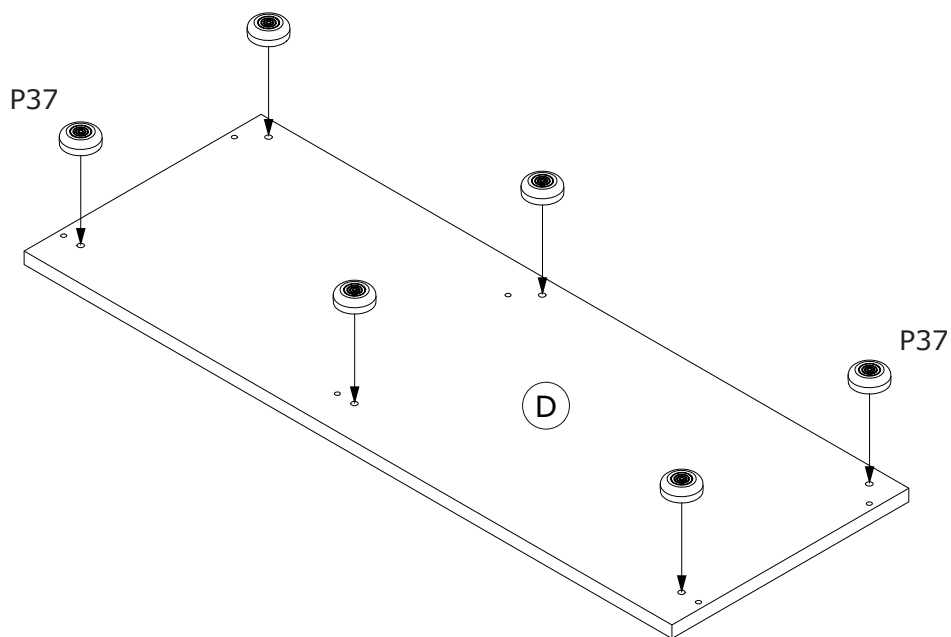




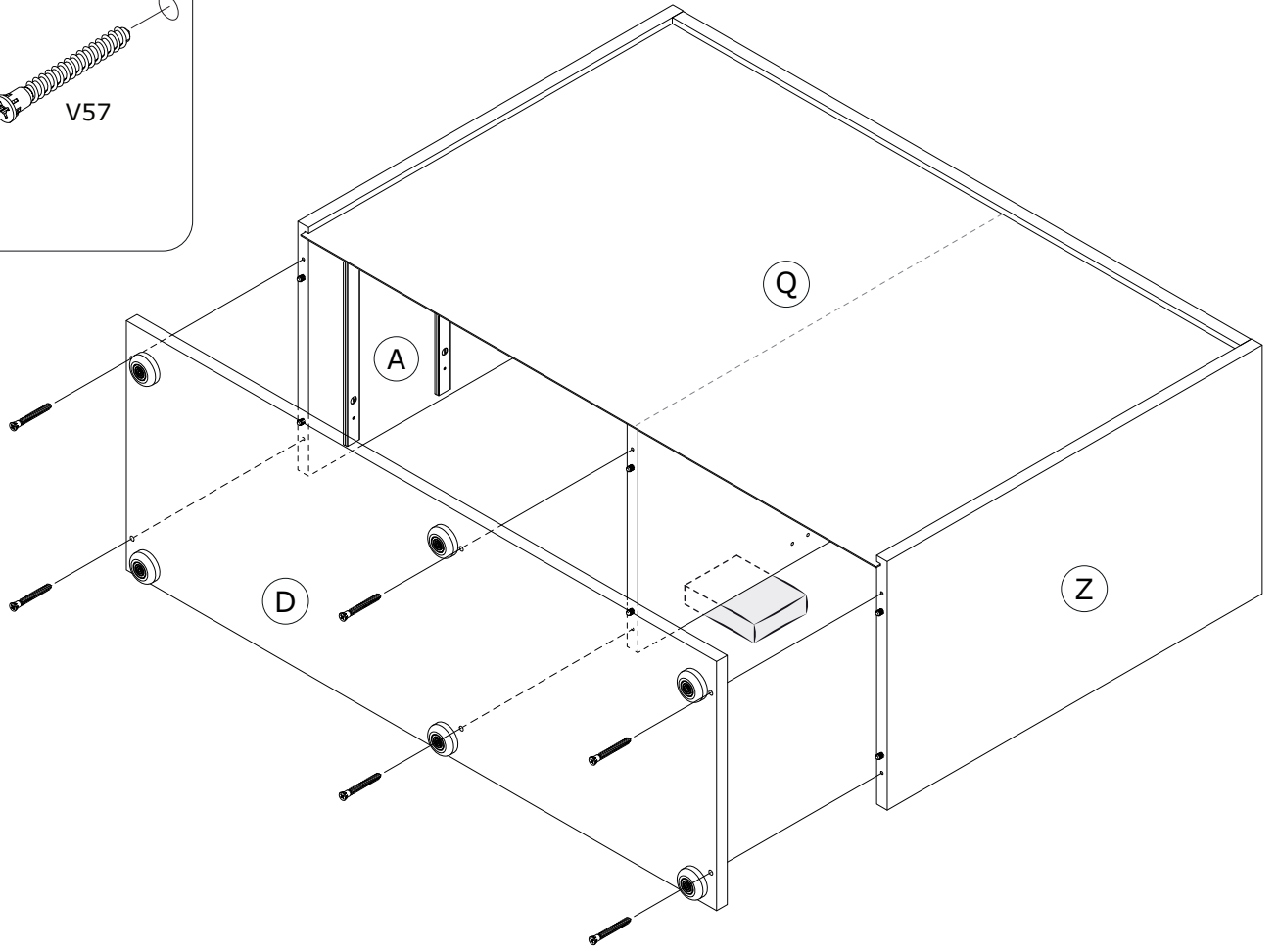
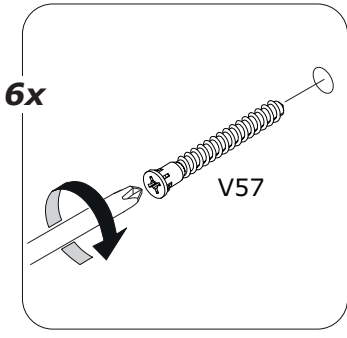
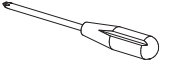
18



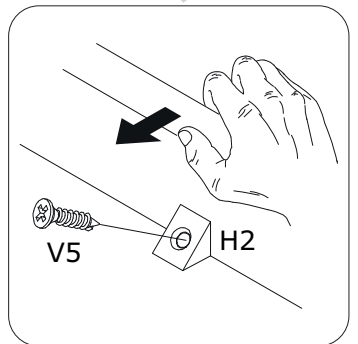
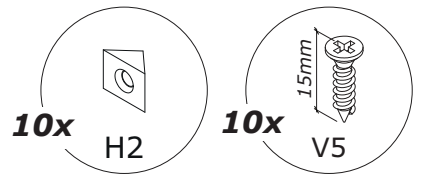
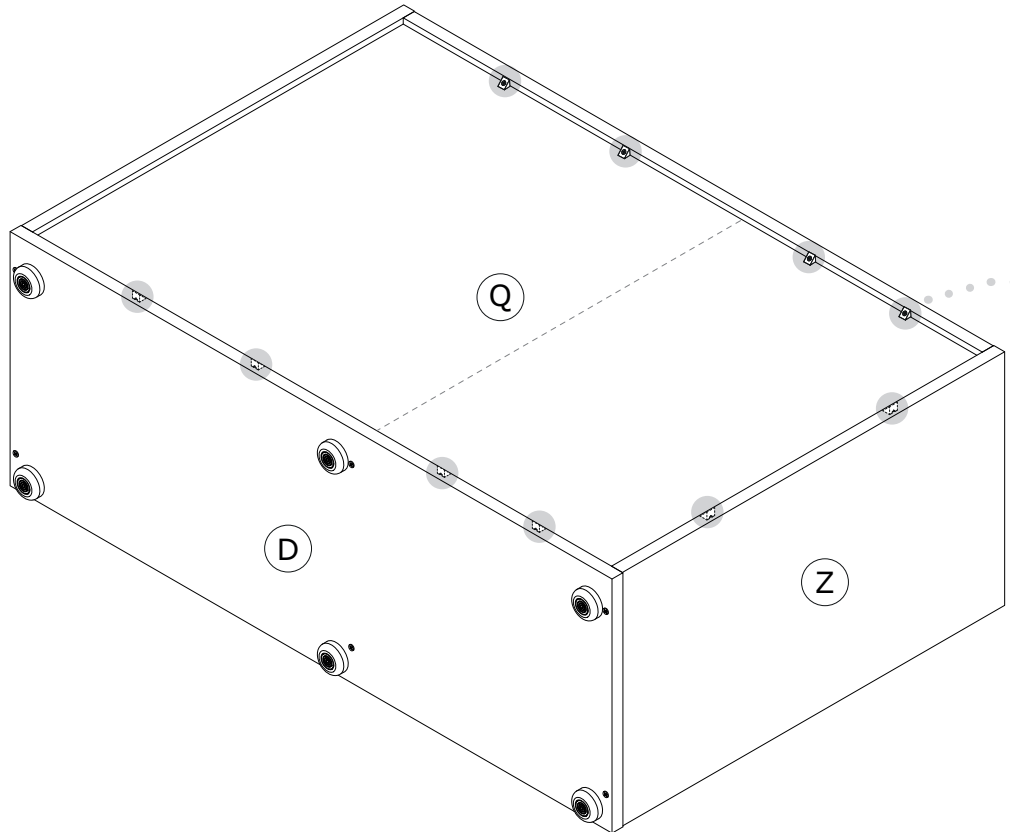
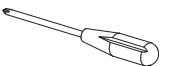
19



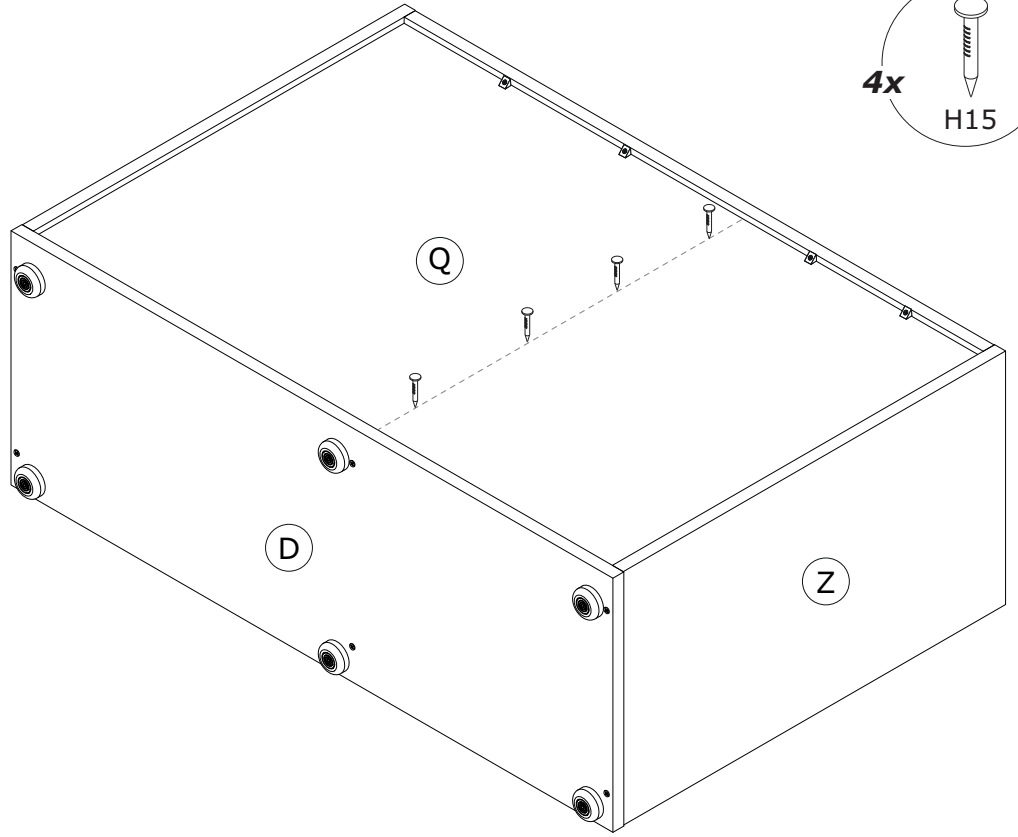
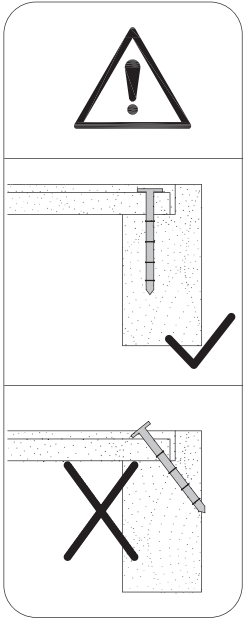
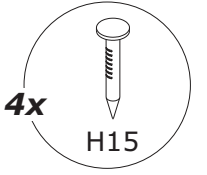
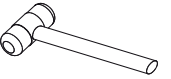
20



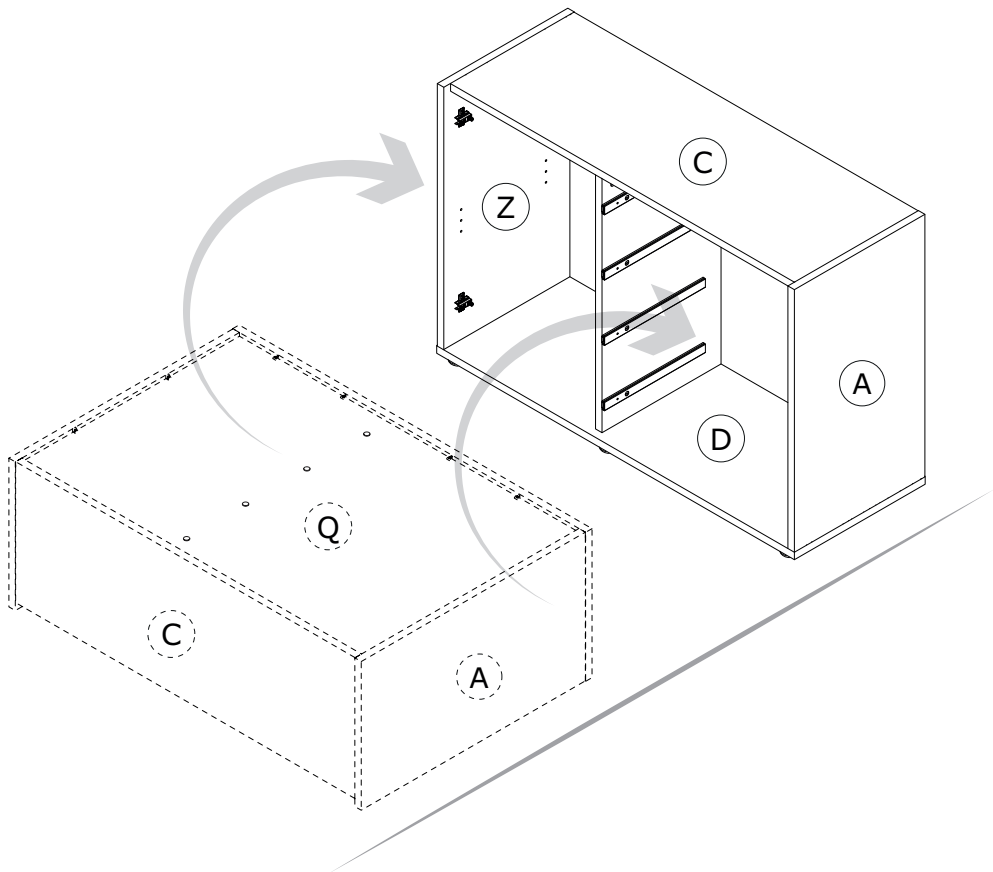
21



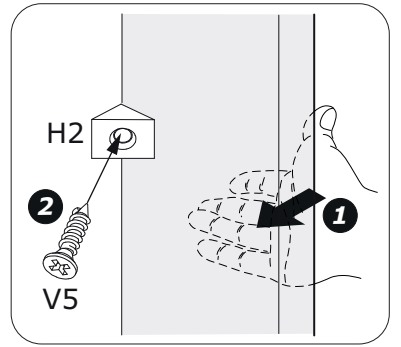
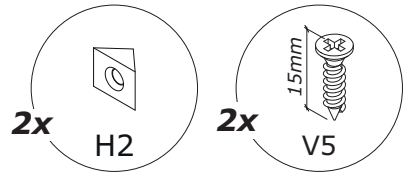
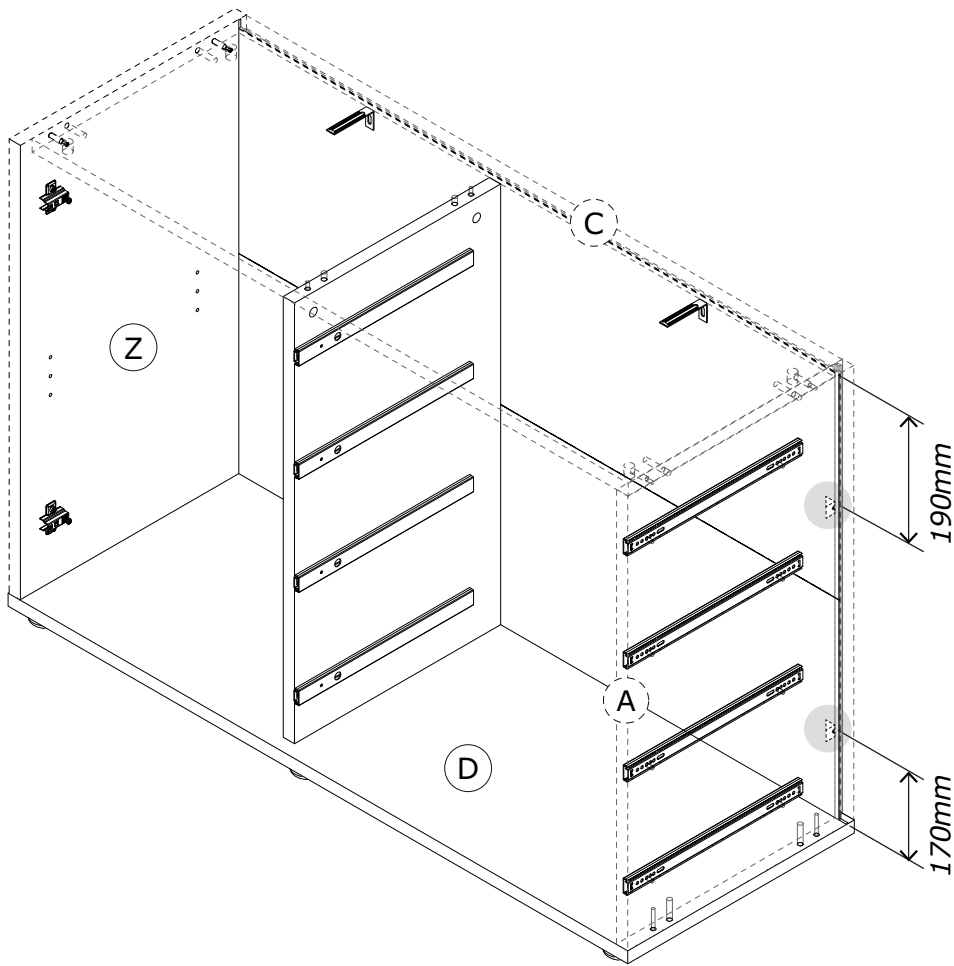
22



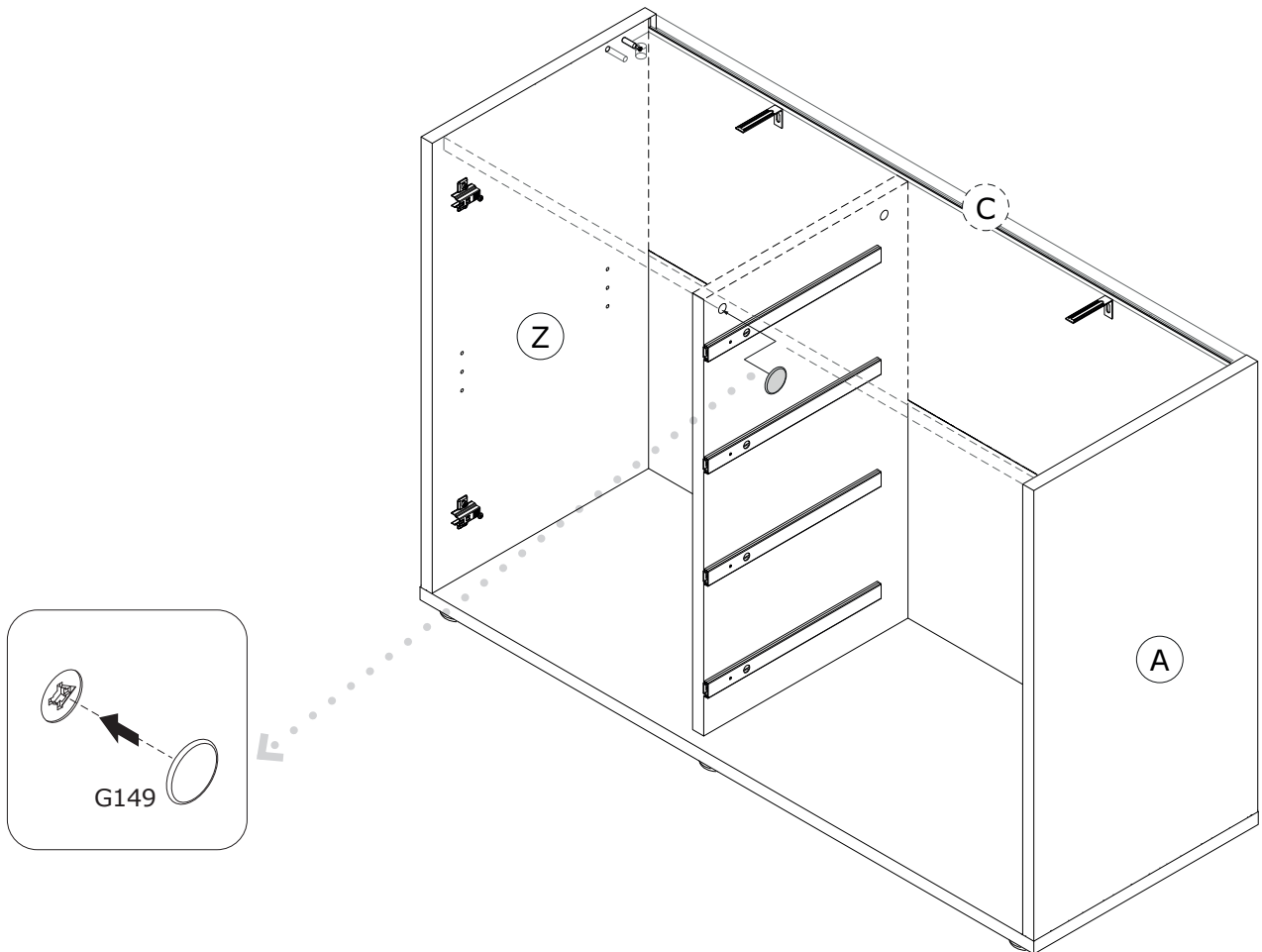
23

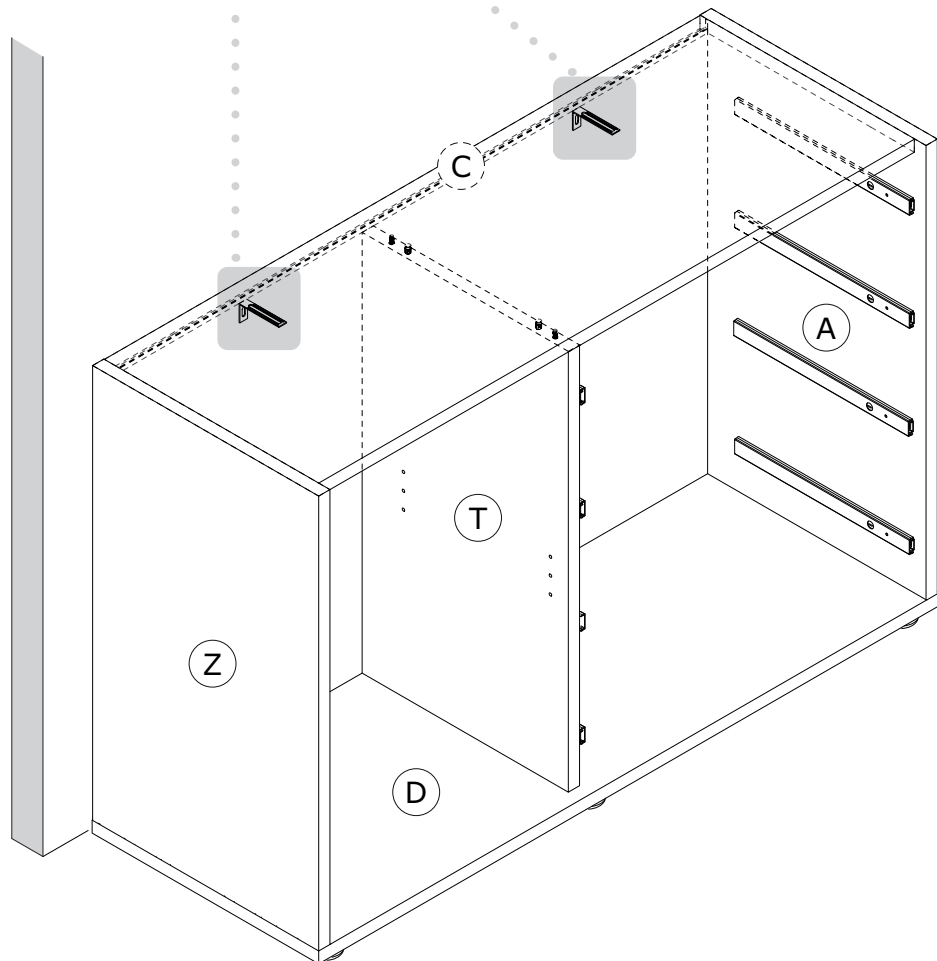
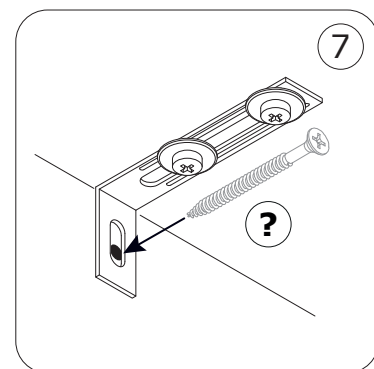
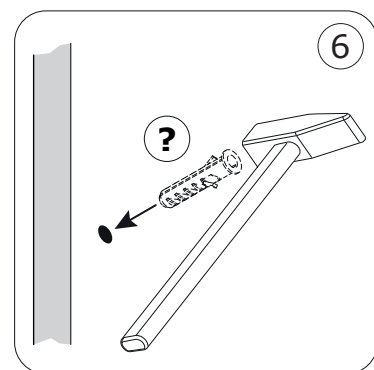
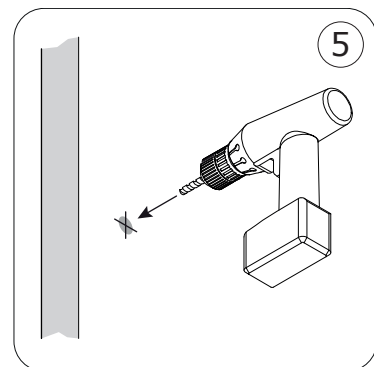
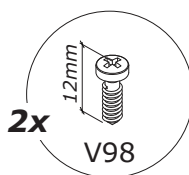
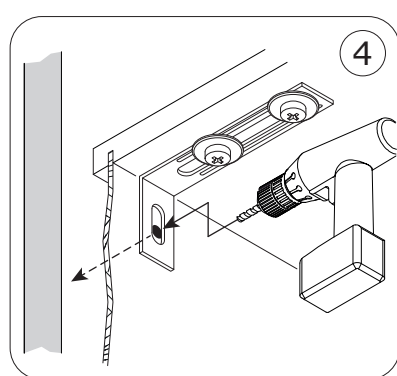
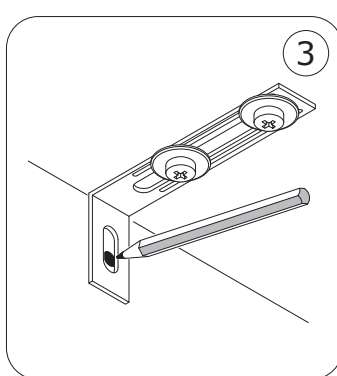
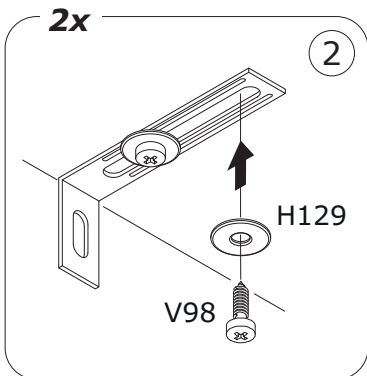
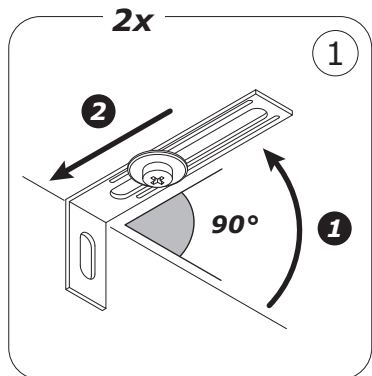


24

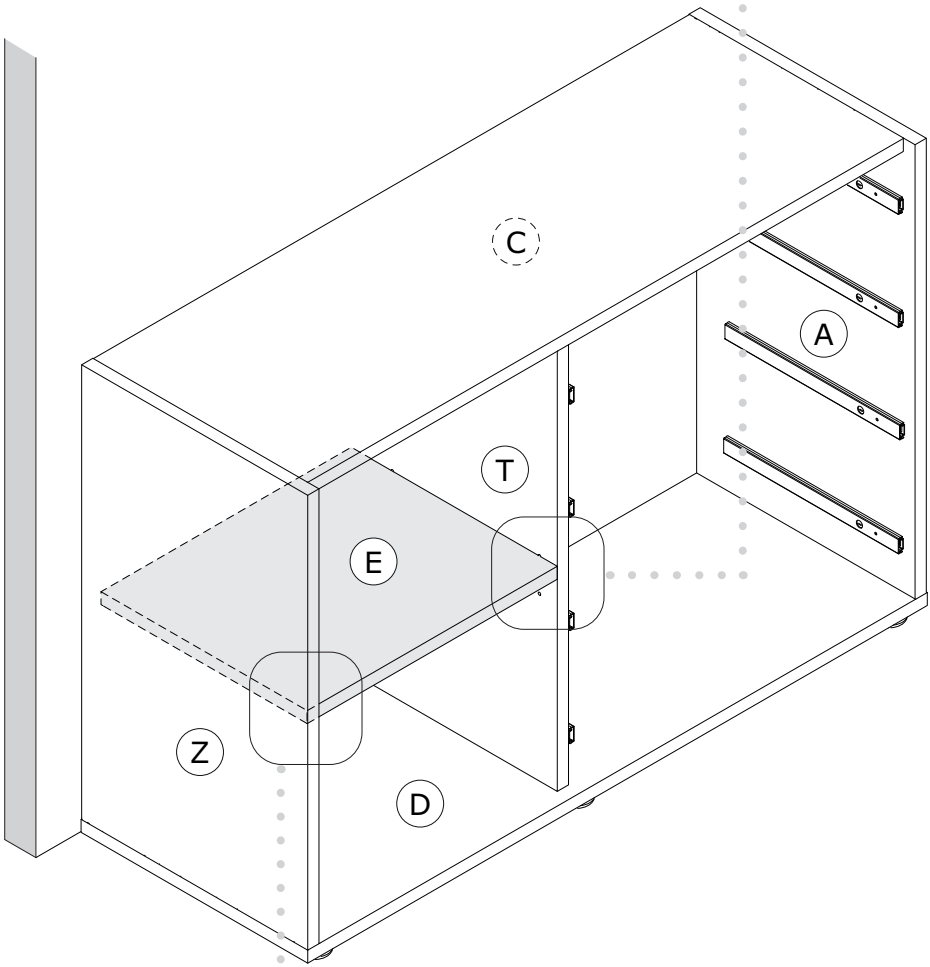
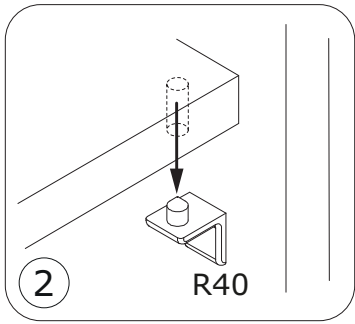
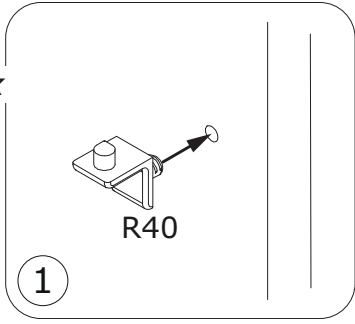


25

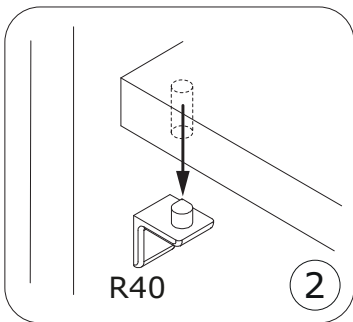
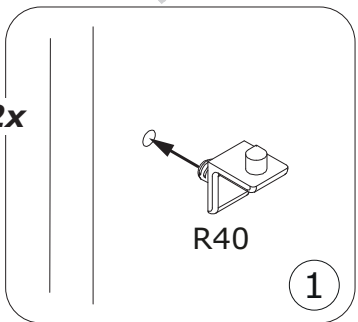


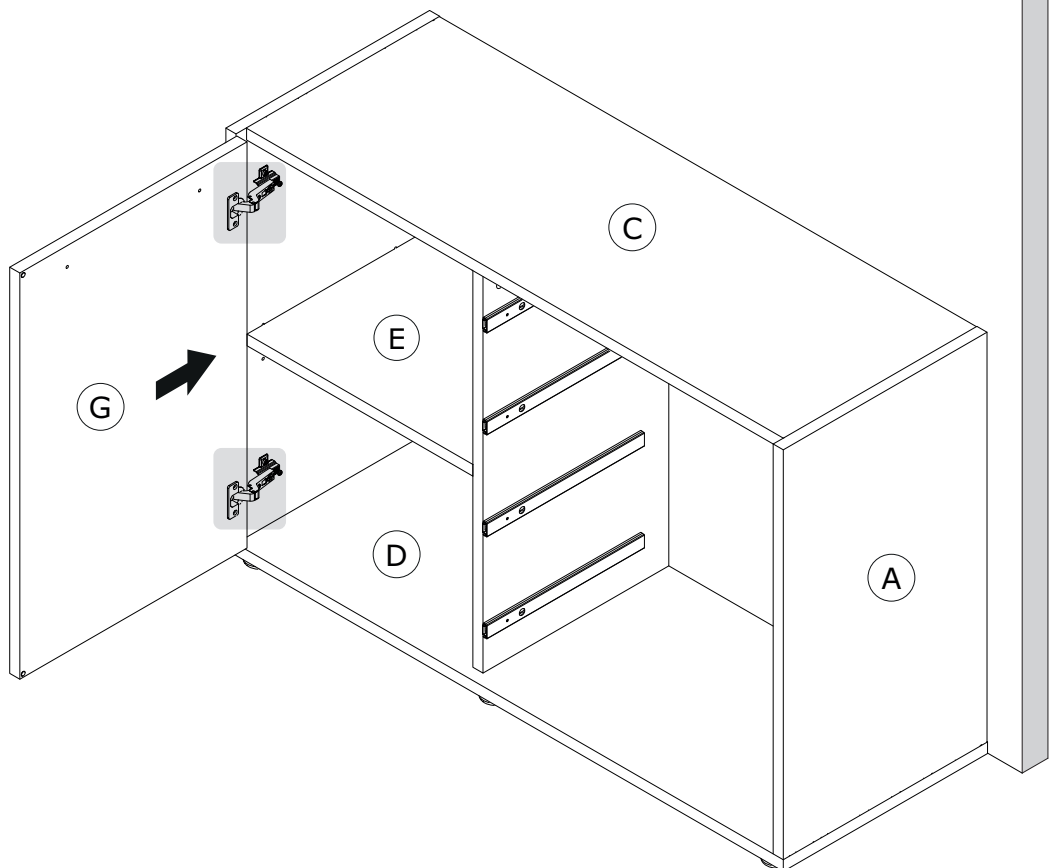
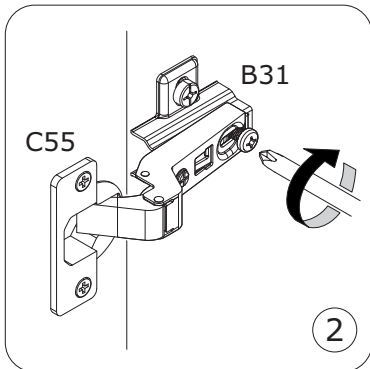
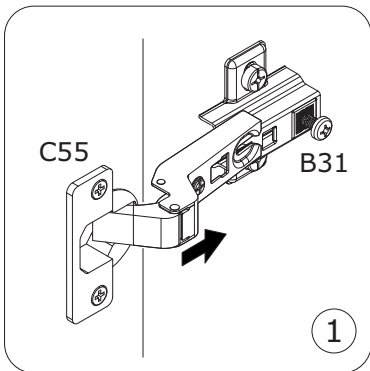
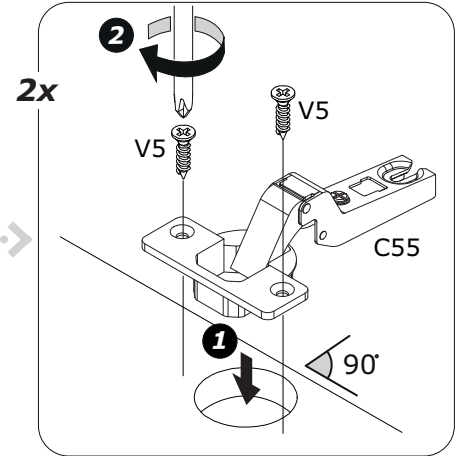
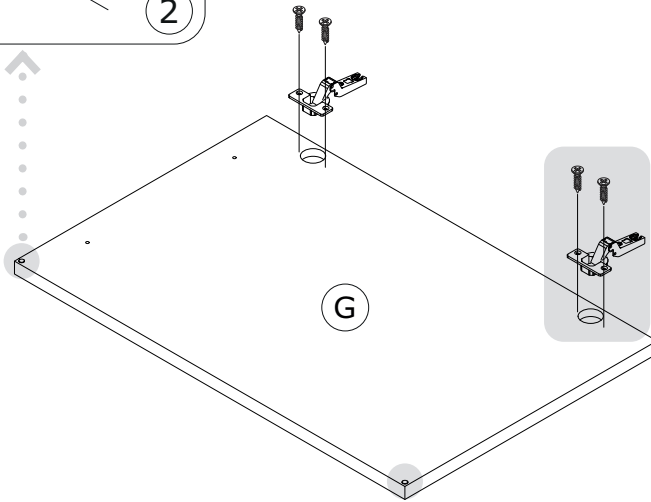
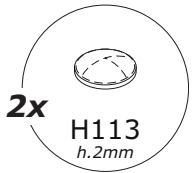
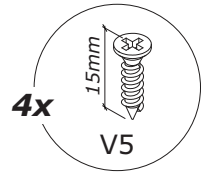
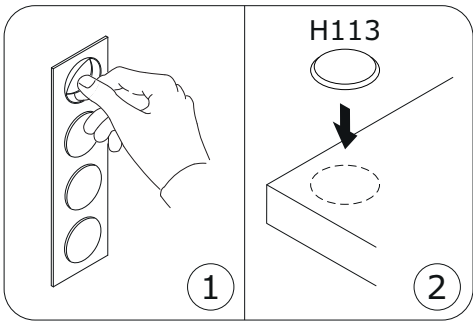
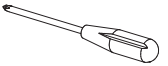


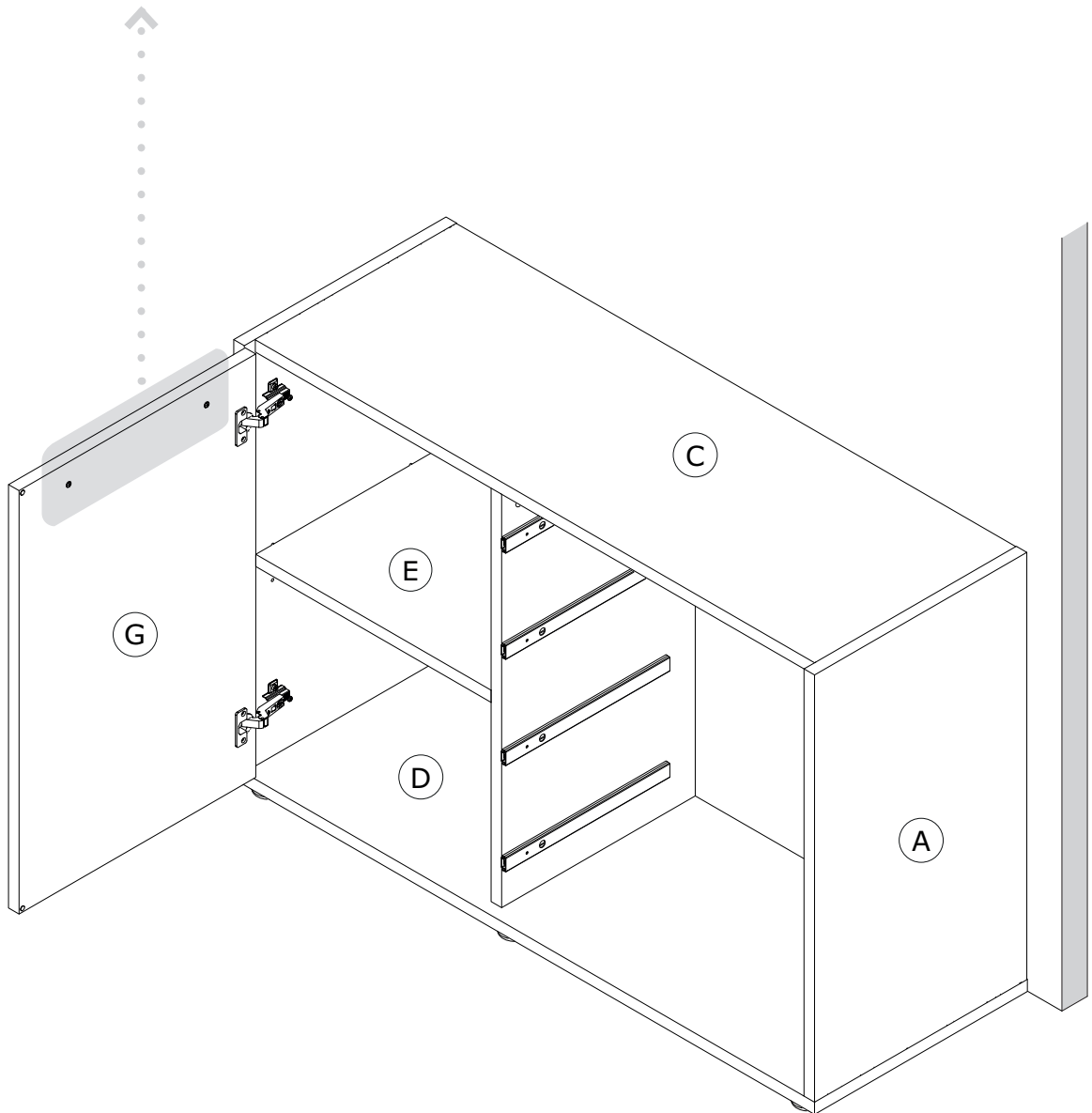
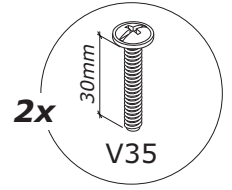
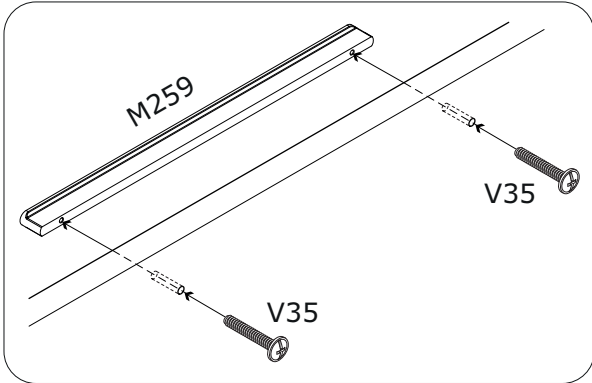
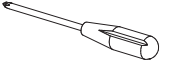
2x



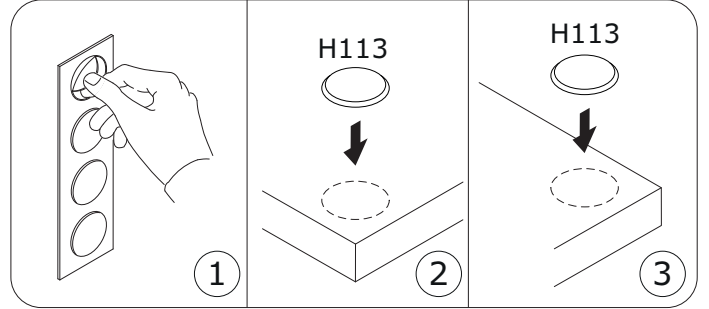
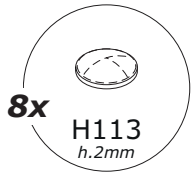
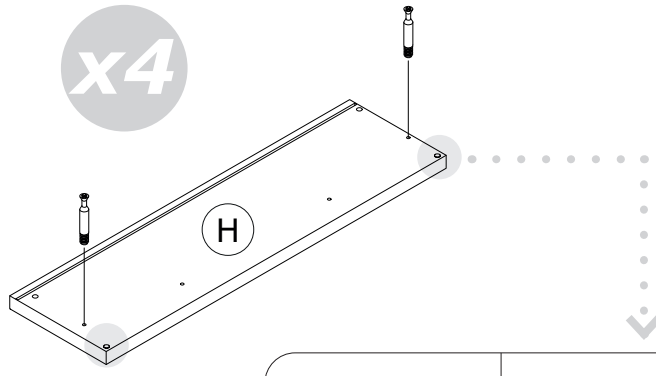
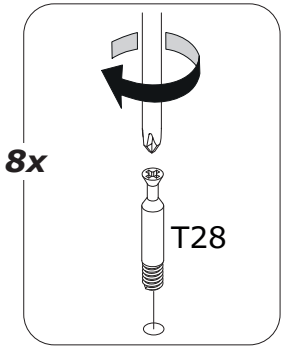
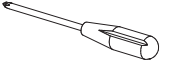
2x



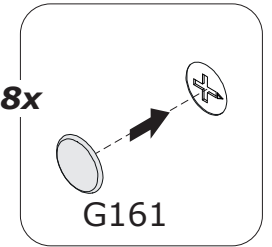
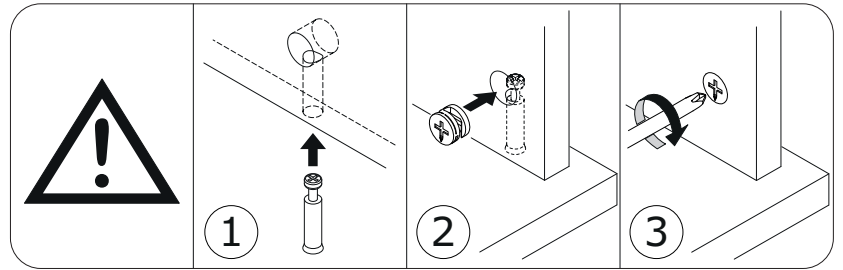
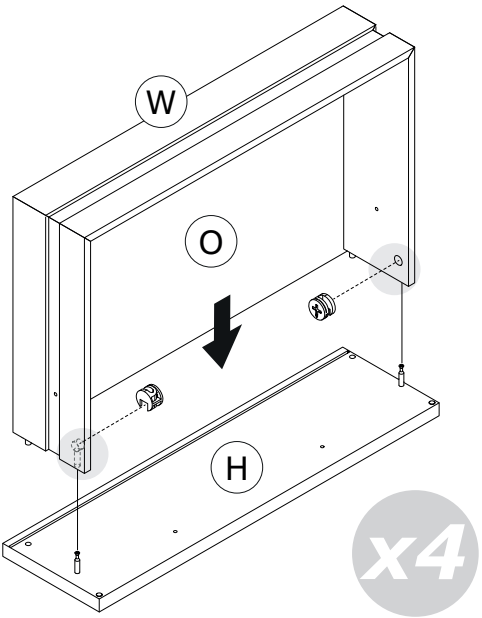
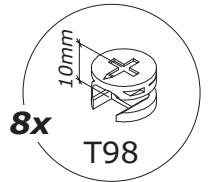
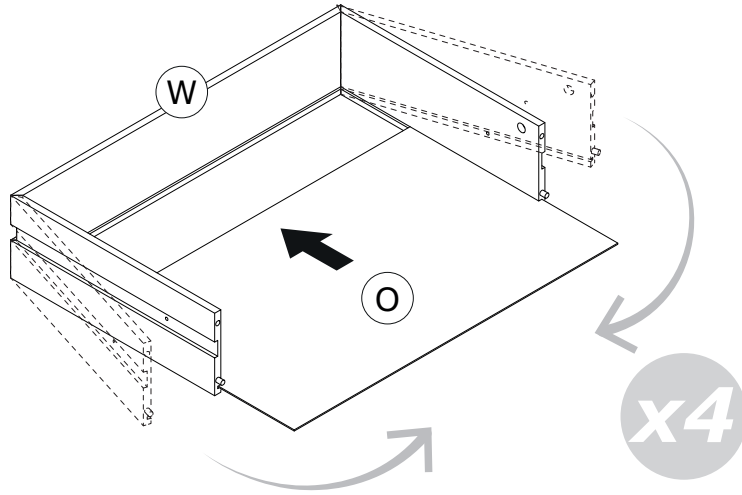
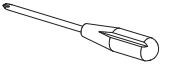




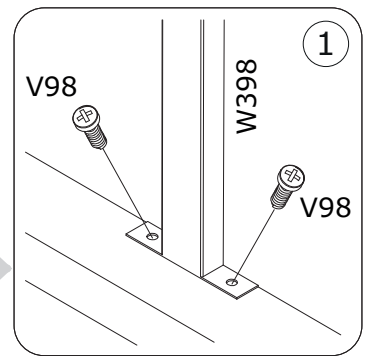
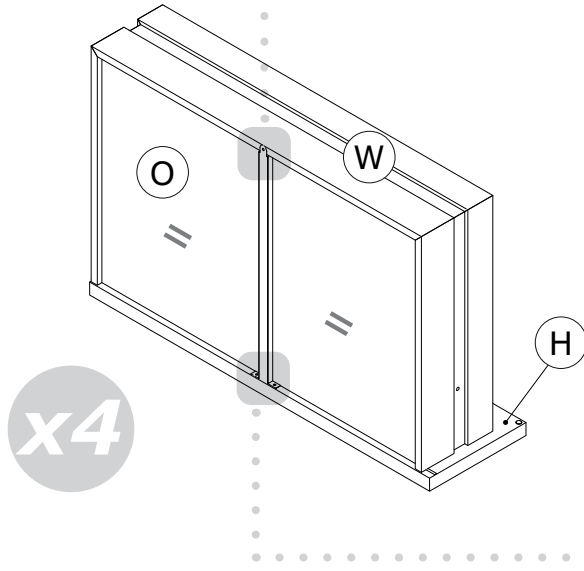
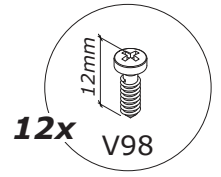
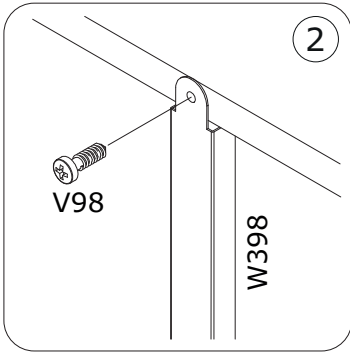
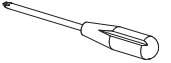
30



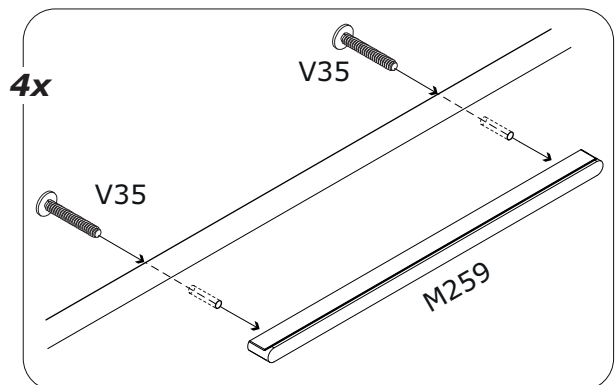
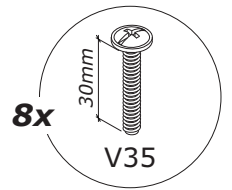
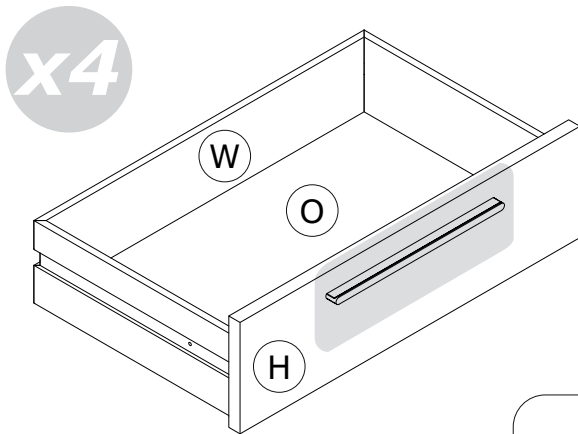
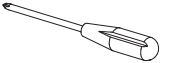
31



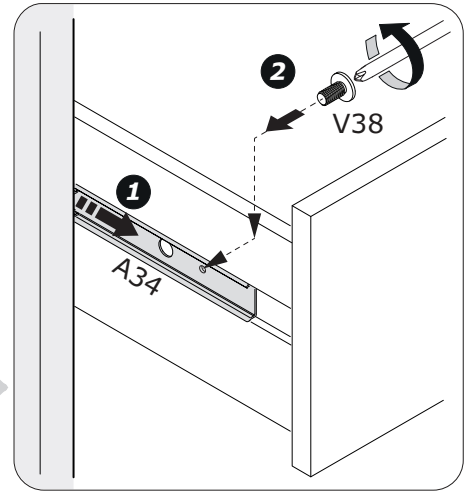
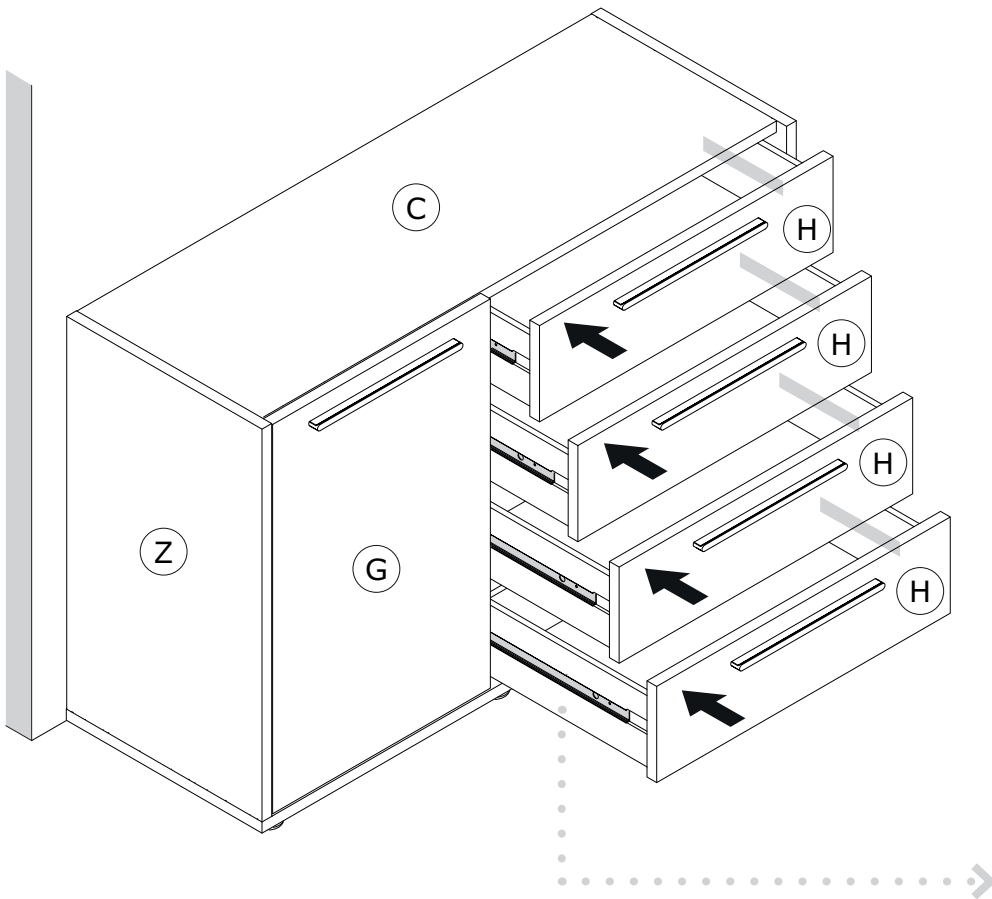
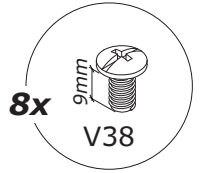
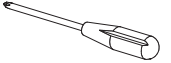
32



33



34



35

