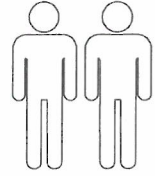
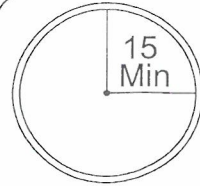
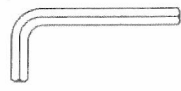


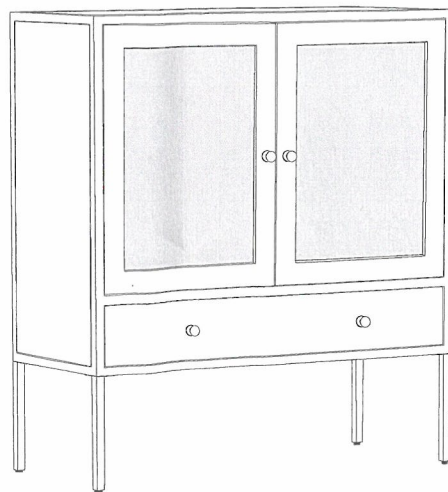
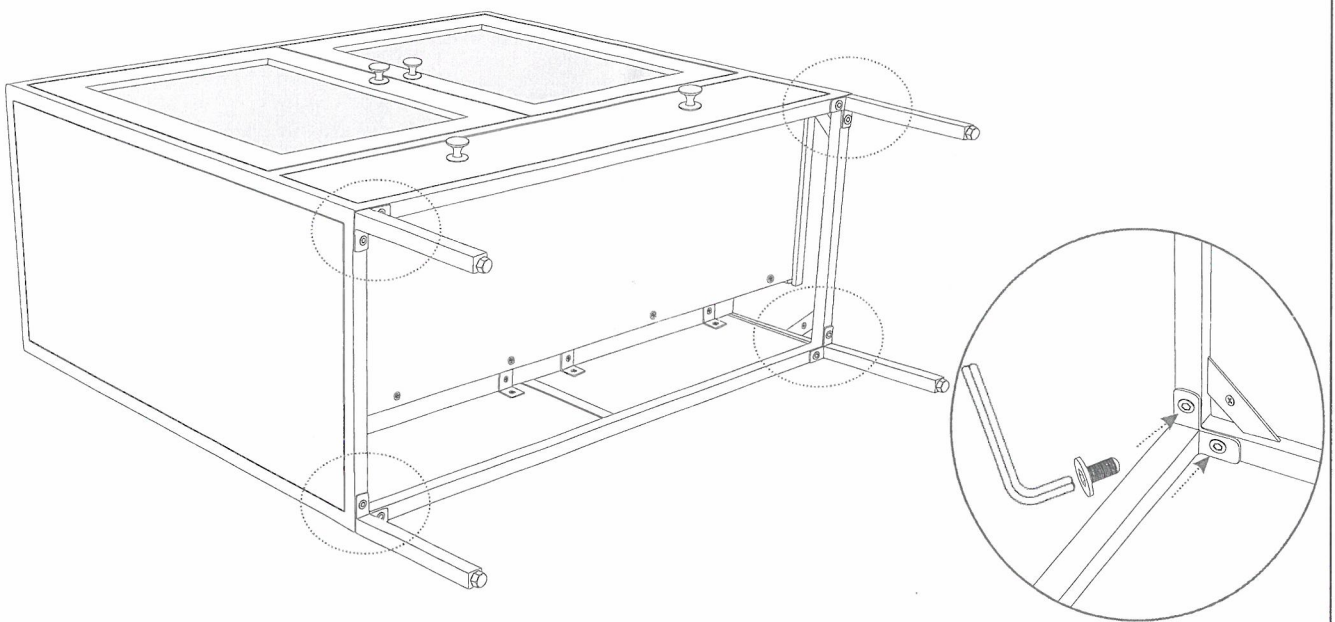
Art No. 67491



(6x12 mm)  
(08 Pcs.)



(01 Pcs.)



Assembled Product