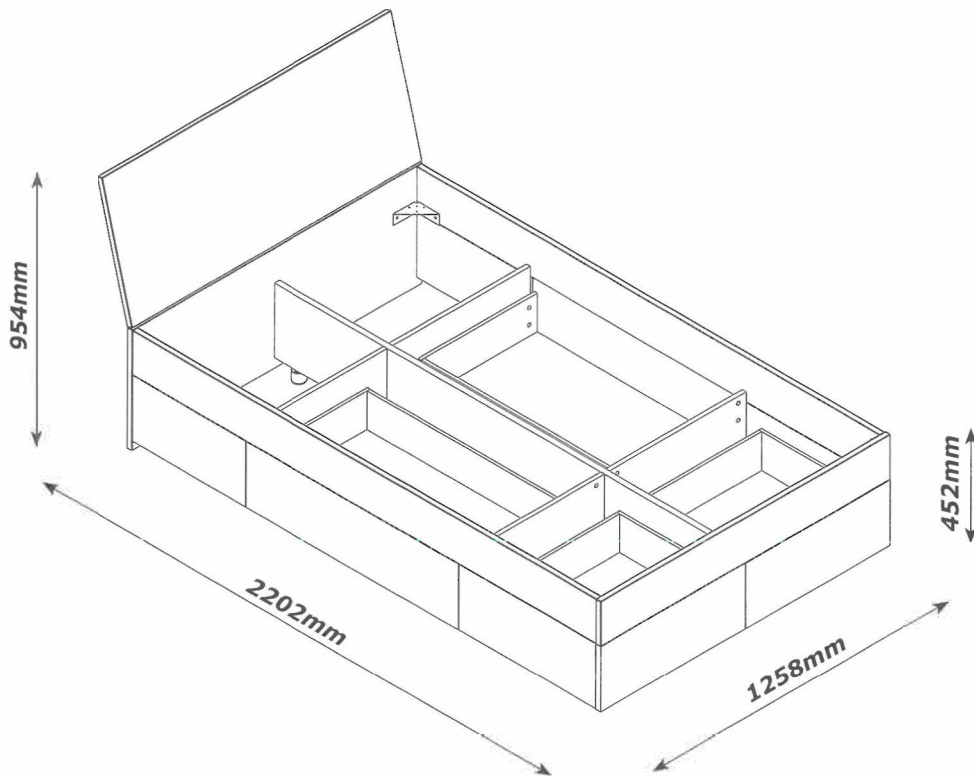


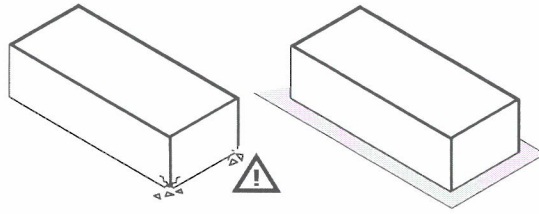
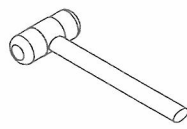
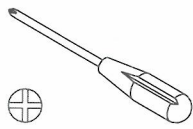
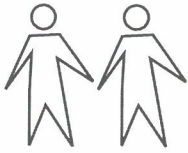
# LT4549K76805



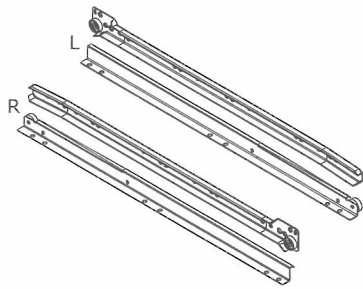
QF5951



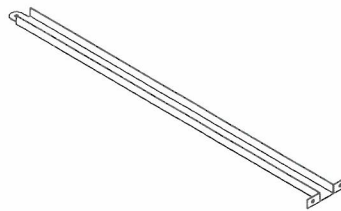
MADE IN ITALY  
Produced by COMPOSAD srl, Via Lombardia 29, 46019 Vastina (MN) ITALY



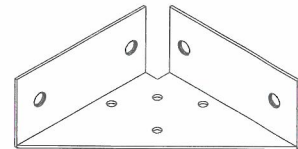
**BU4714**



**A21**  
x4

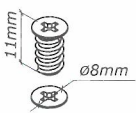


**W467**  
x4

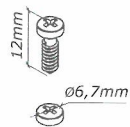


**W328**  
x2

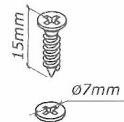
**BU4711**



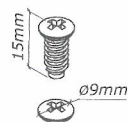
**V13**  
x32



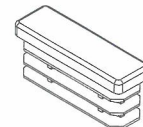
**V98**  
x12



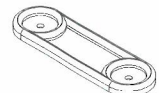
**V5**  
x16



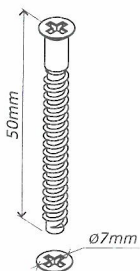
**V10**  
x16



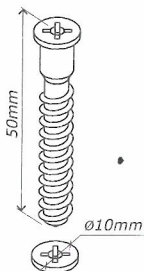
**P3**  
x3



**P16**  
x3



**V130**  
x16



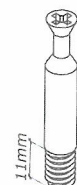
**V45**  
x8



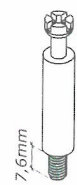
**H325**  
x22



**H270**  
x6



**T28**  
x35



**T103**  
x12



**T104**  
x6



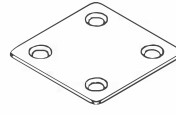
**H70**  
x2



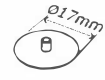
**T7**  
x31



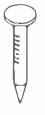
**T98**  
x16



**W498**  
x2



**G136**  
x16



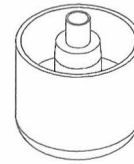
**H15**  
x6

**CF0225**

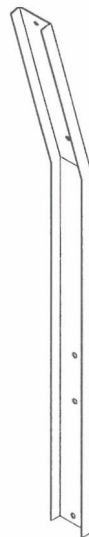


**W624**  
x2

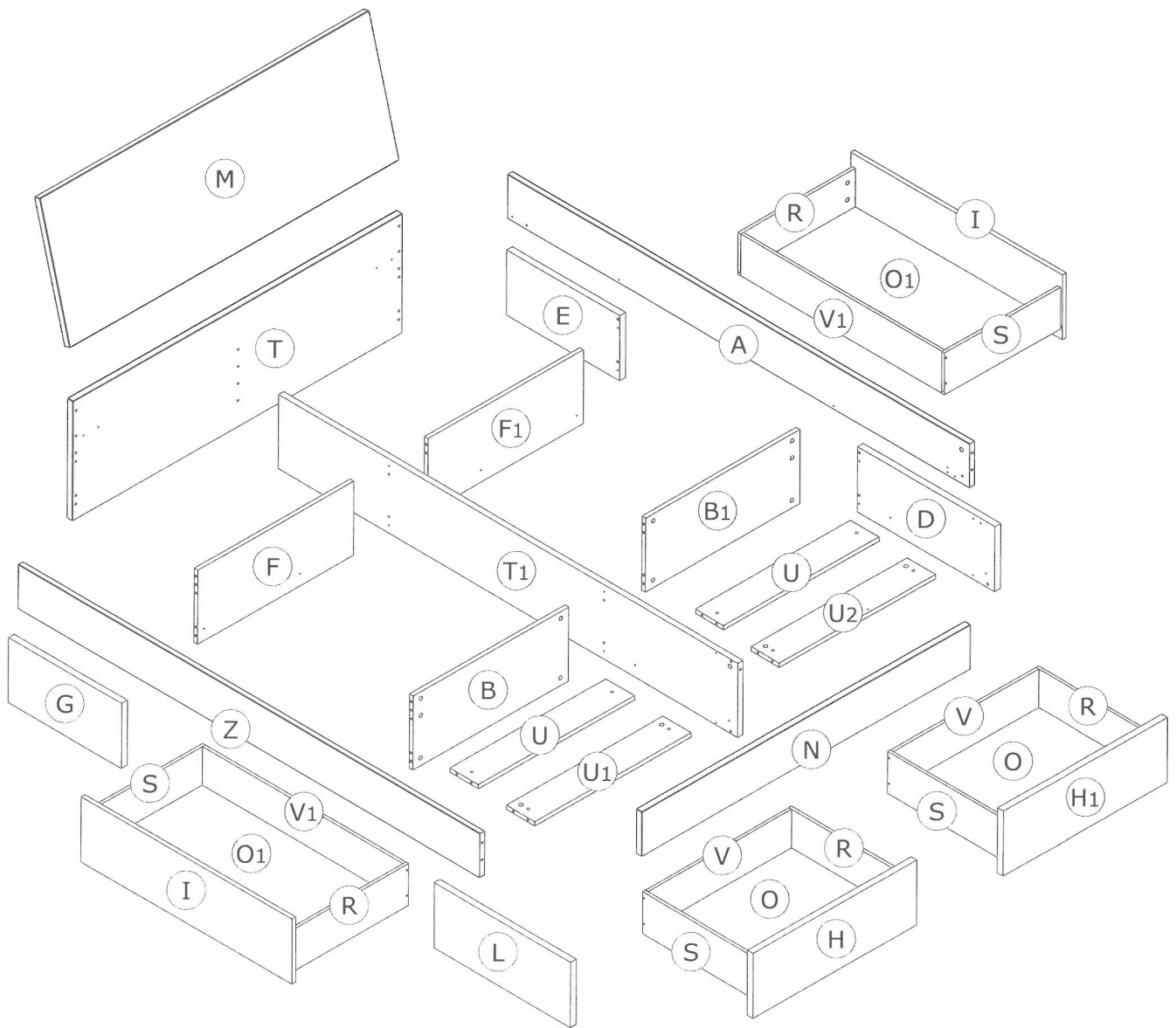
**BU4120**



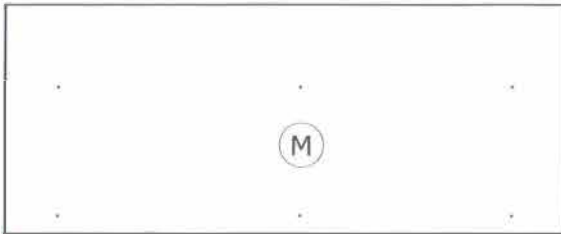
**P69**  
x10



**W624**  
x1



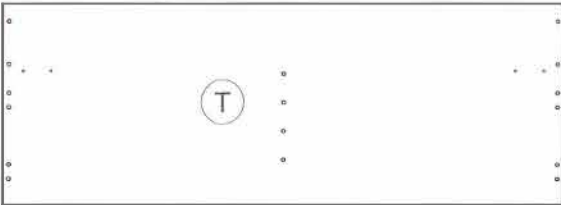




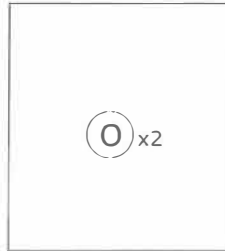
**TE0714**  
1258x514x22mm



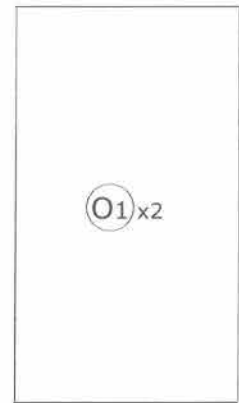
**PE0355**  
1258x166x22mm



**TE0716**  
1258x449x22mm



**SH3755**  
556x500x2mm

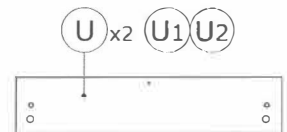


**SH3722**  
886x500x2mm

**BOX 1/3**



**FS4978**  
2010x165x22mm



**FS4461**  
594x124x16mm



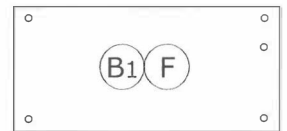
**FS4980**  
2010x165x22mm



**FS4457**  
594x279x16mm

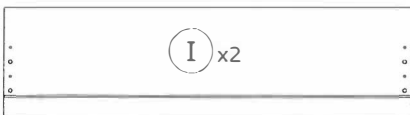


**FS4441**  
2010x279x22mm

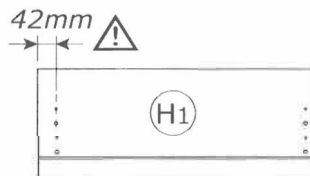


**FS4459**  
594x279x16mm

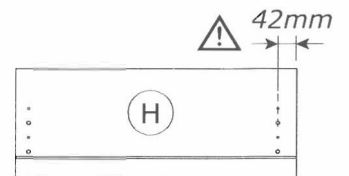
**BOX 2/3**



**CS3376**  
916x245x16mm



**CS3864**  
627x245x22mm



**CS3866**  
627x245x22mm



**FS4451**  
492x245x22mm



**FS4449**  
492x245x22mm



**FS4455**  
596x245x22mm



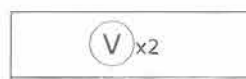
**FS4453**  
596x245x22mm



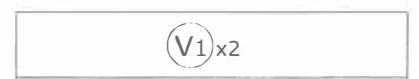
**OS0347**  
500x158x12mm



**OS0348**  
500x158x12mm



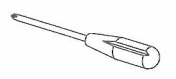
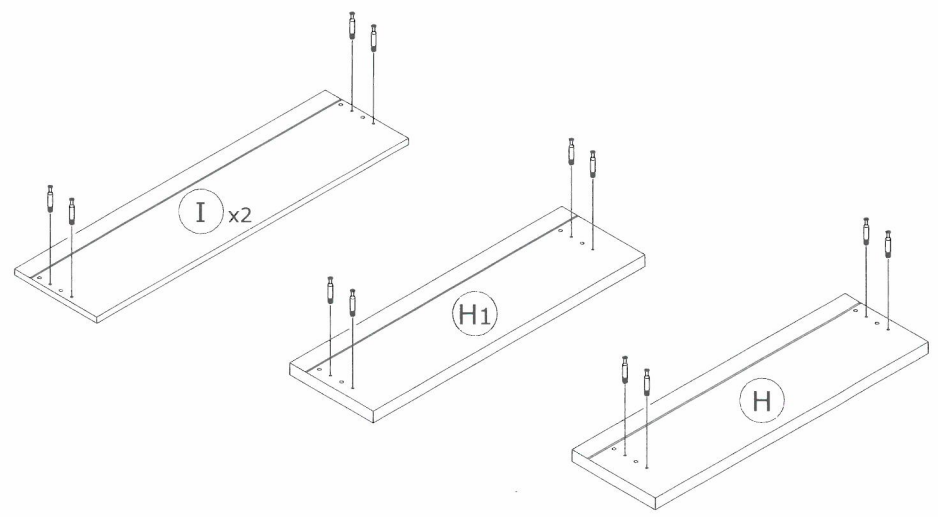
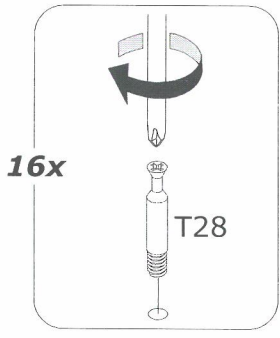
**OS0345**  
545x158x12mm



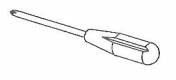
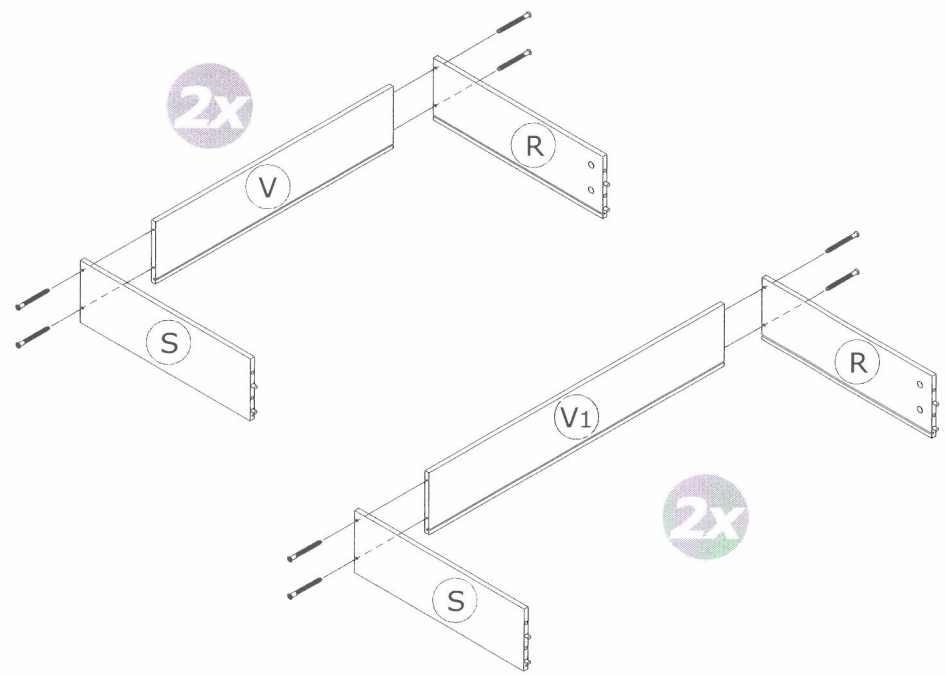
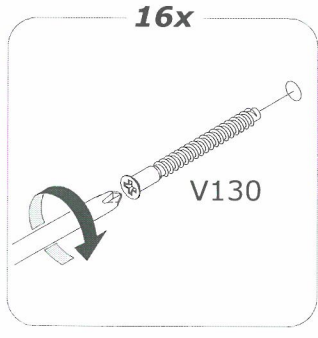
**OS0346**  
875x158x12mm

**BOX 3/3**

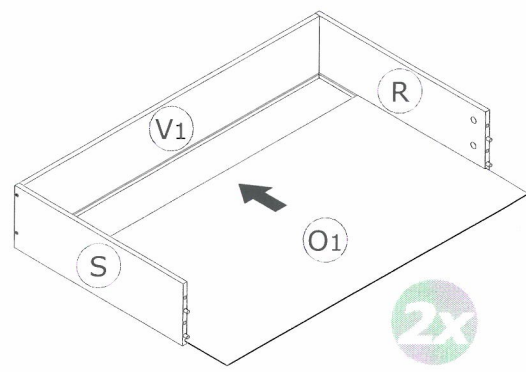
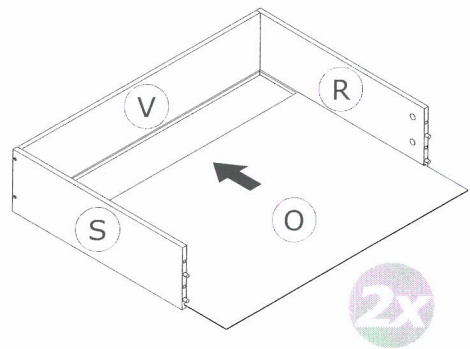
1



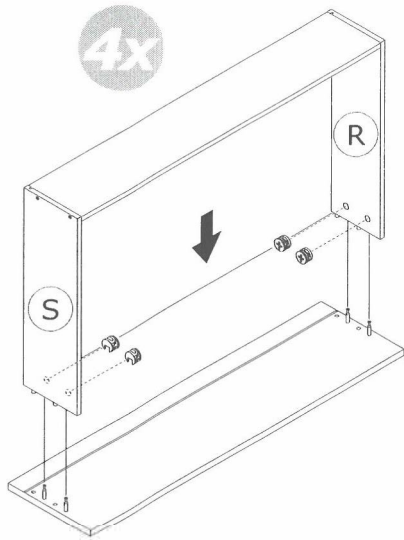
2



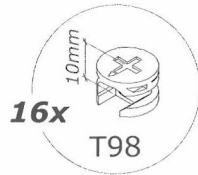
3



4

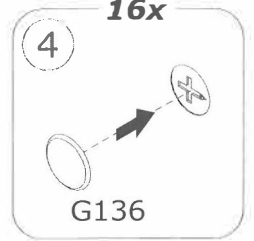


4x



16x

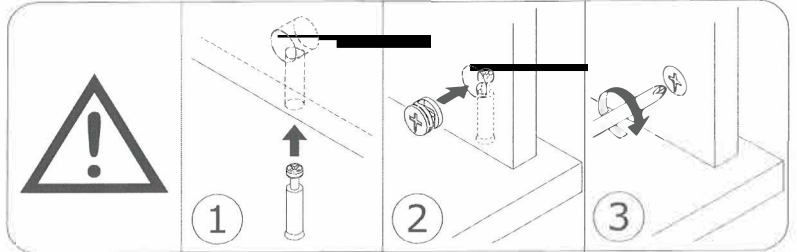
10mm  
T98



16x

4

G136

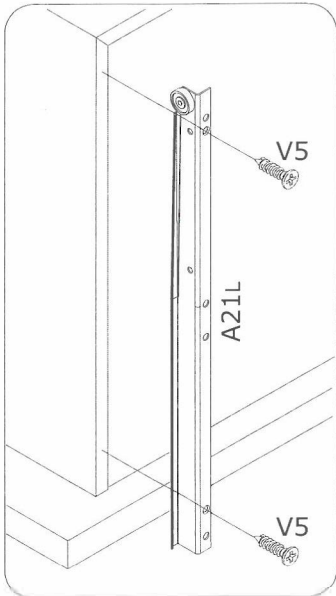


1

2

3

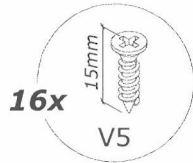
5



A21L

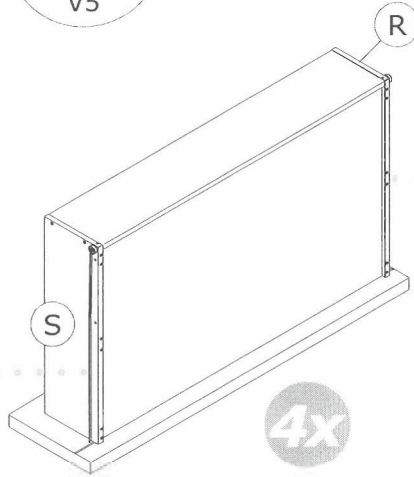
V5

V5



16x

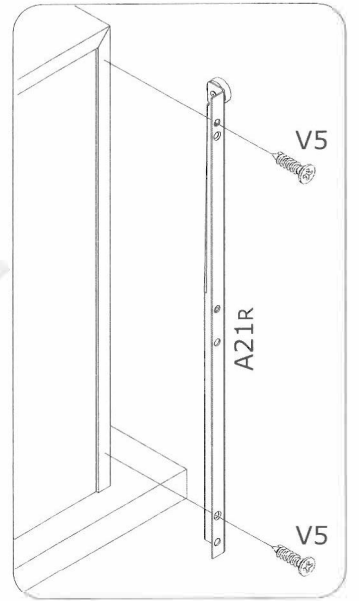
15mm  
V5



S

R

4x

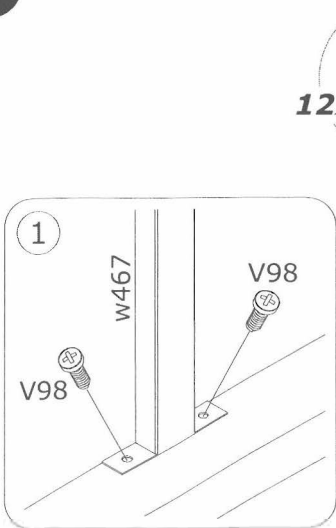


A21R

V5

V5

6



1

w467

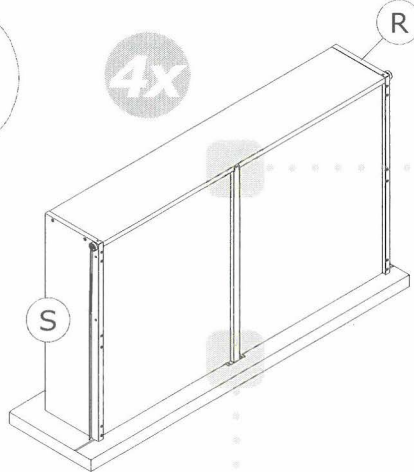
V98

V98



12x

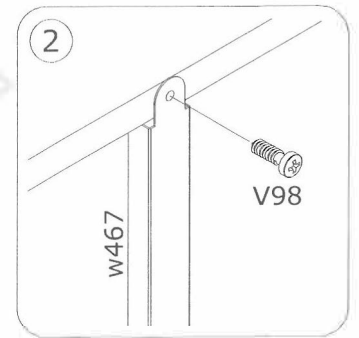
12mm  
V98



S

R

4x



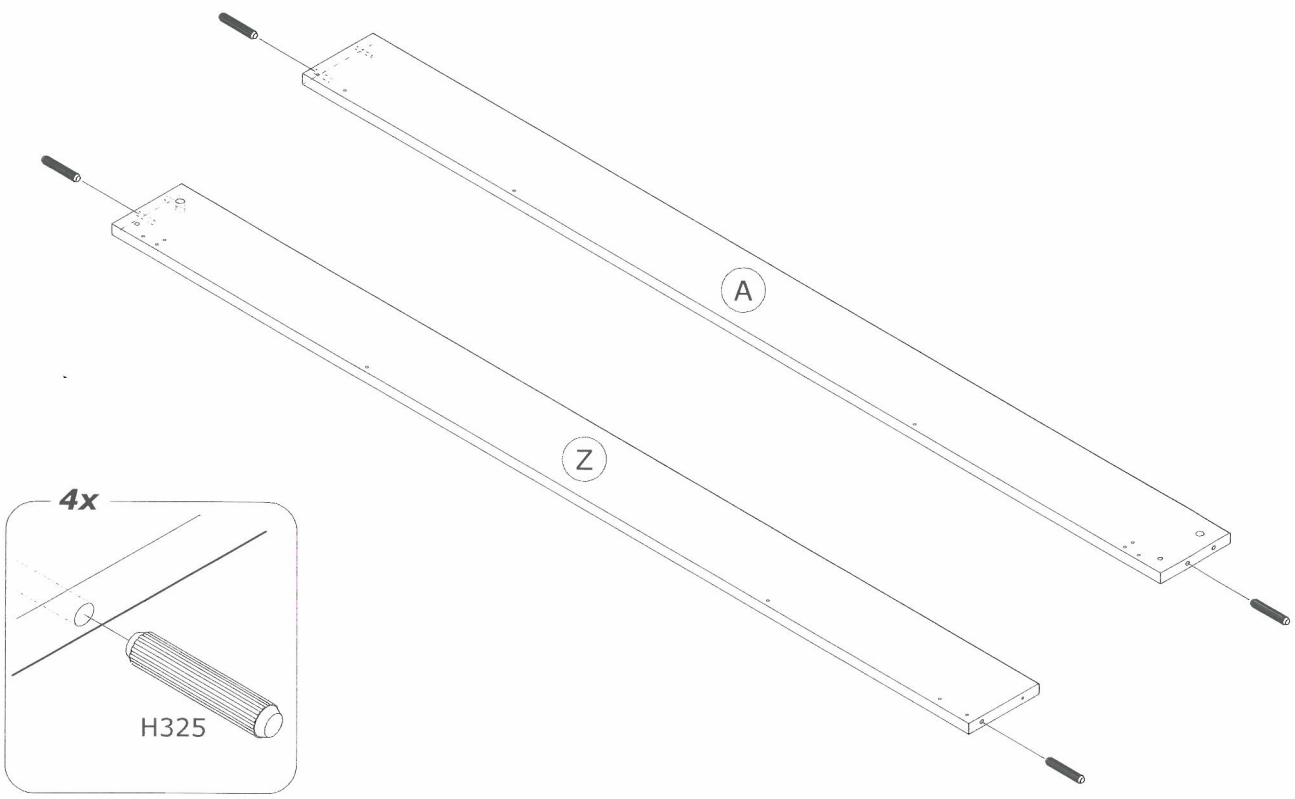
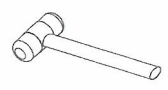
2

w467

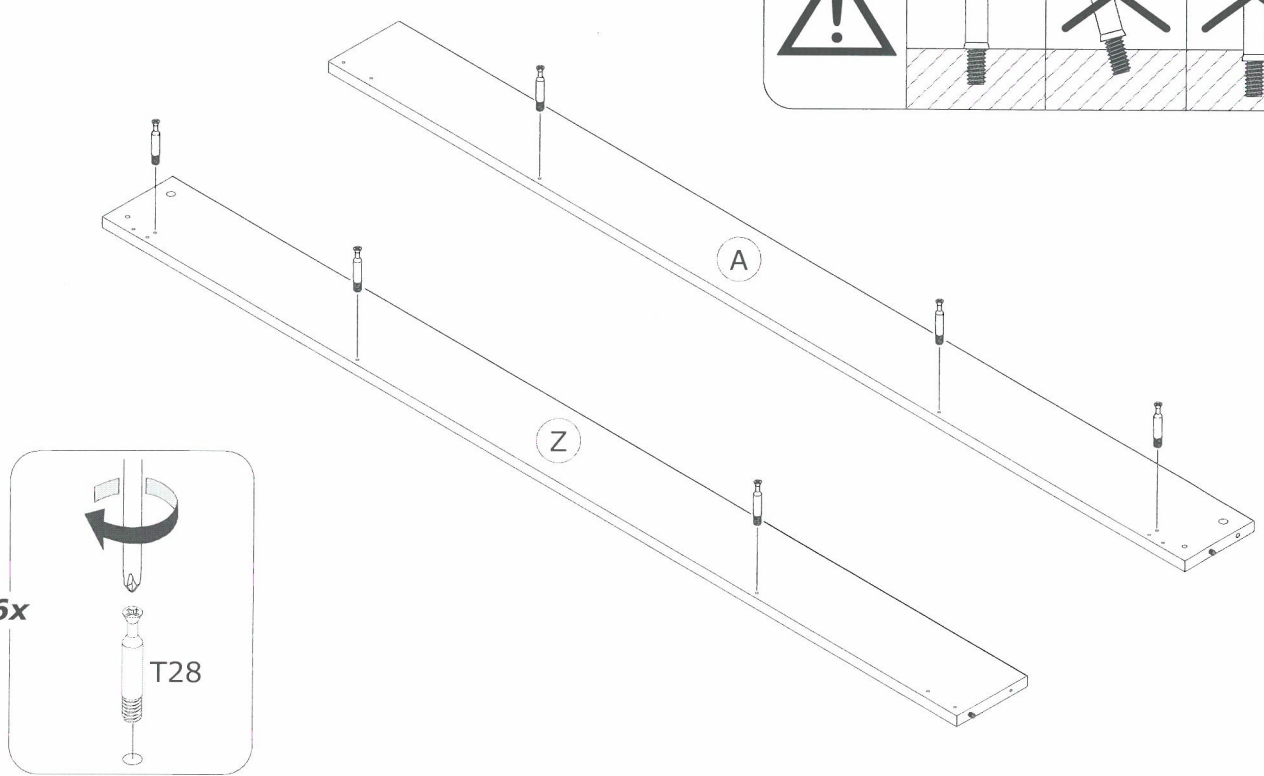
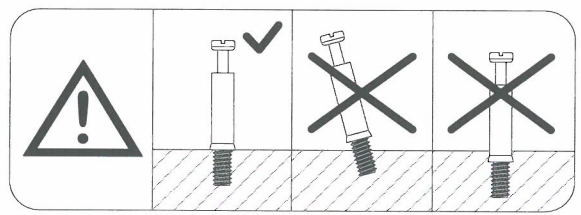
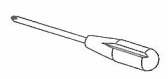
V98

V98

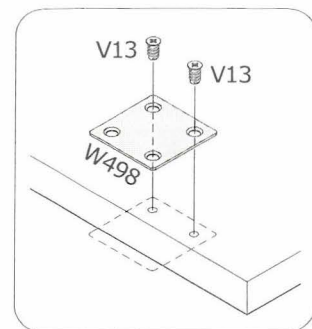
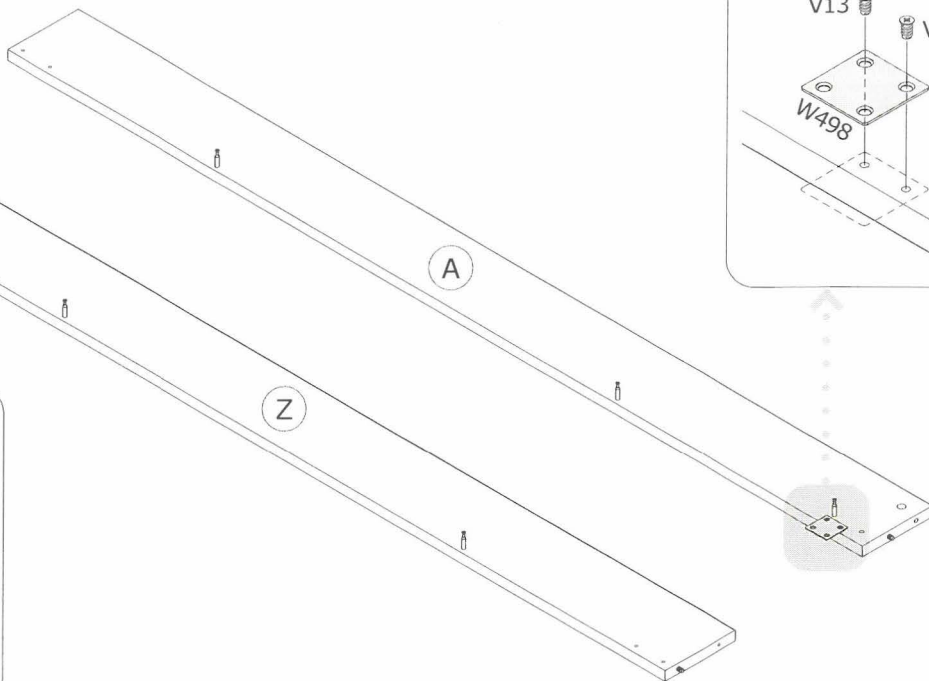
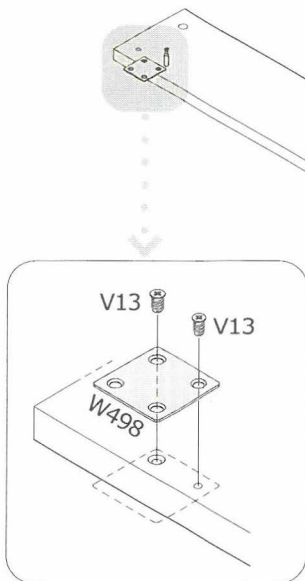
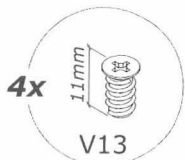
7



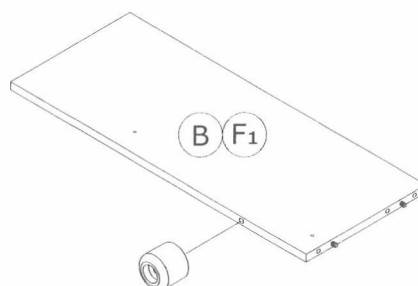
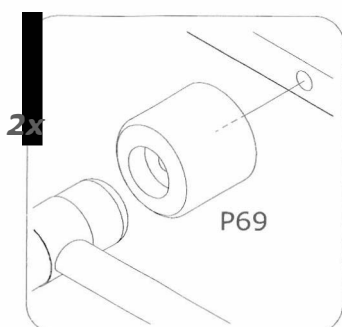
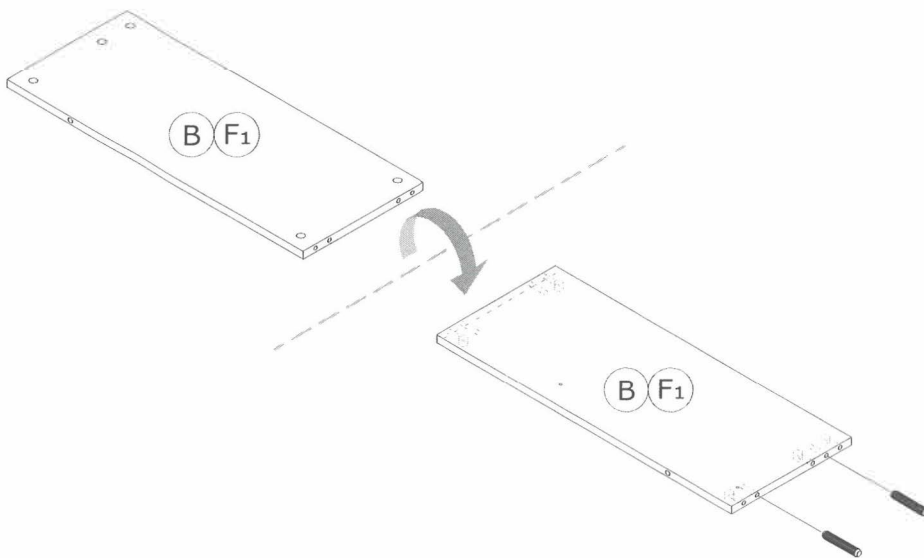
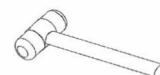
8



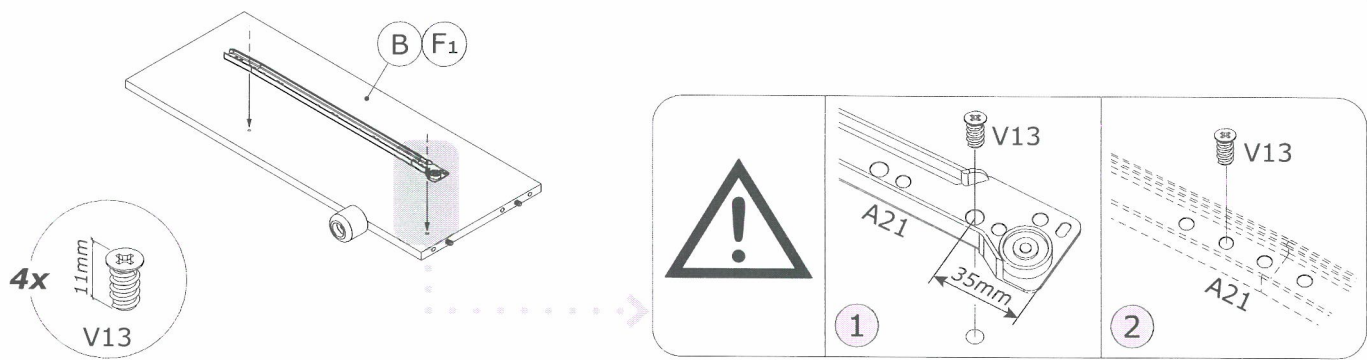
9



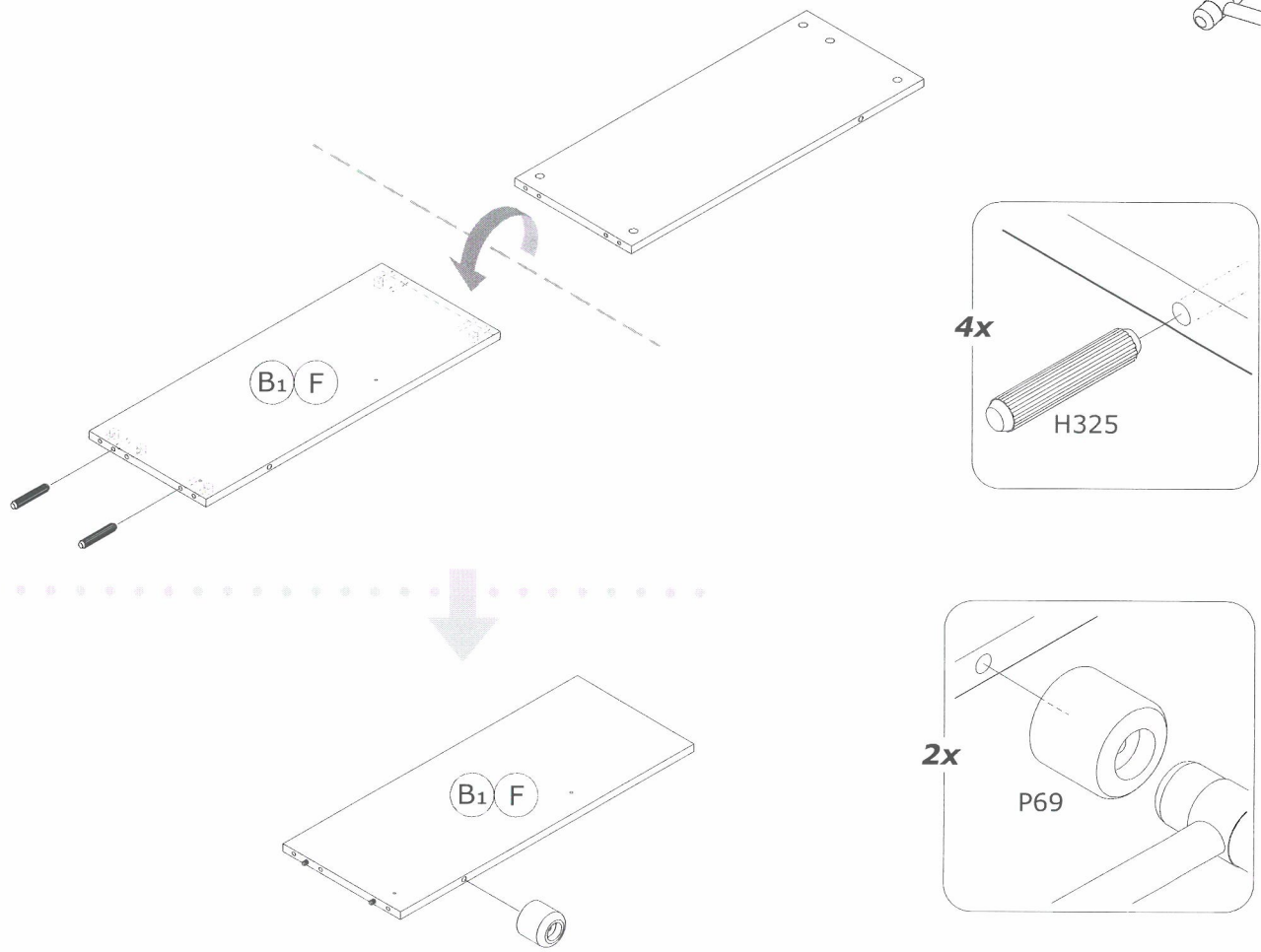
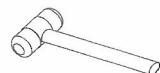
10



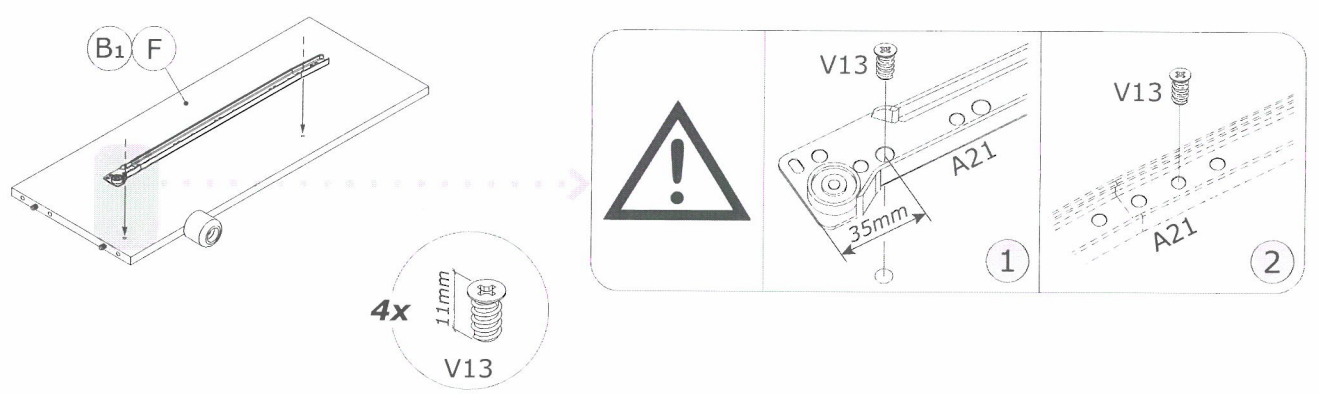
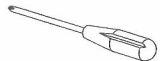
11



12

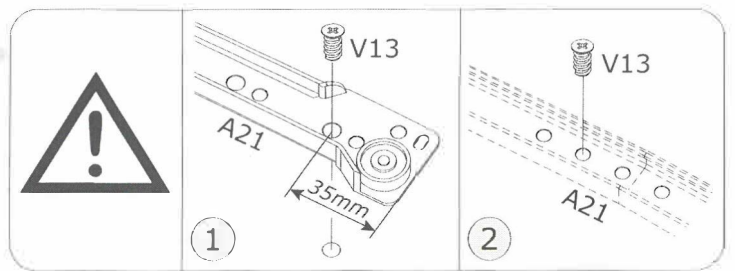
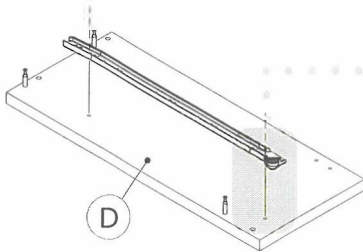
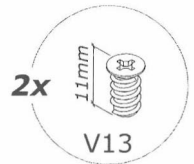
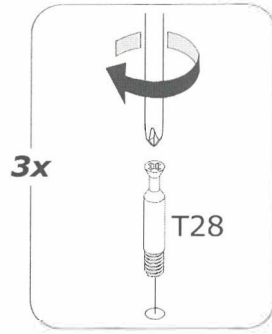
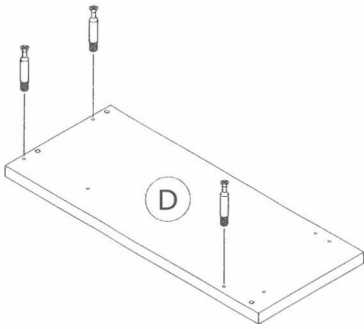


13

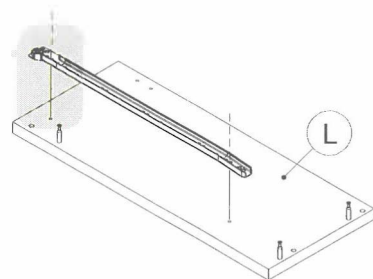
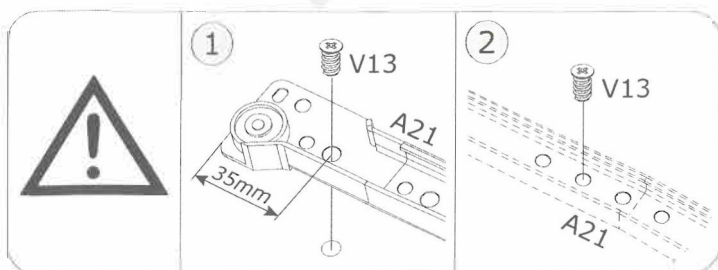
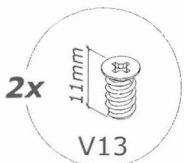
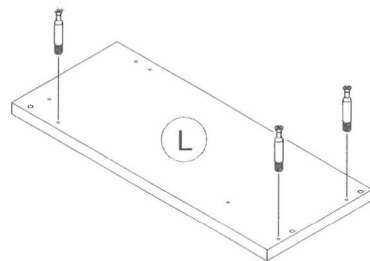
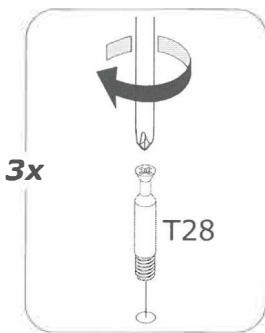




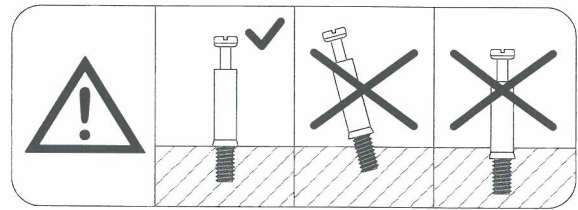
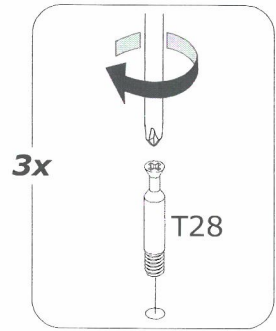
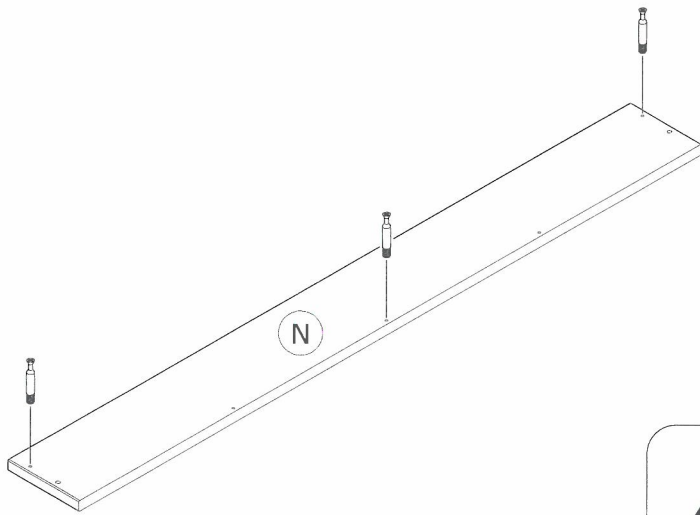
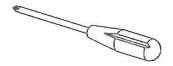
14



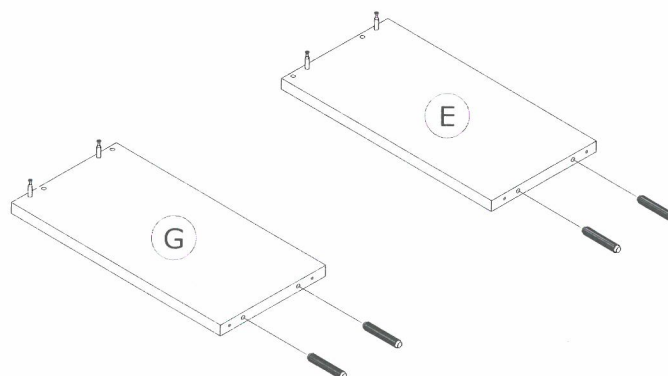
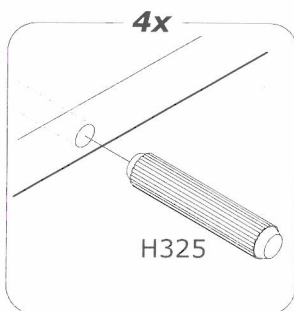
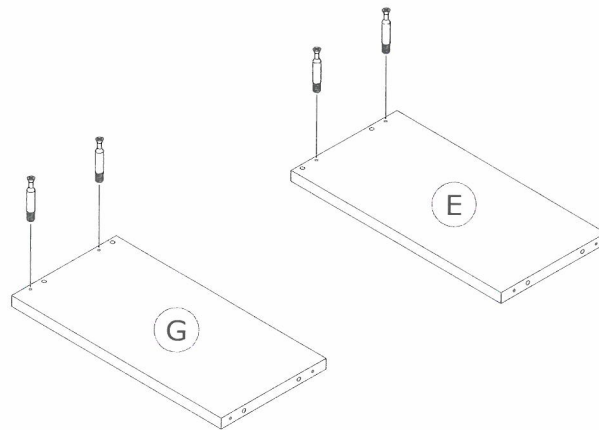
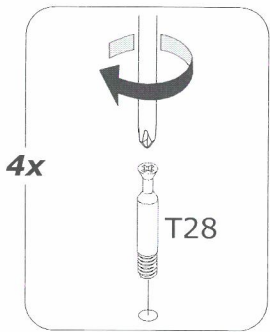
15



16

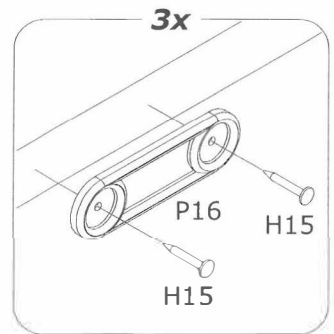
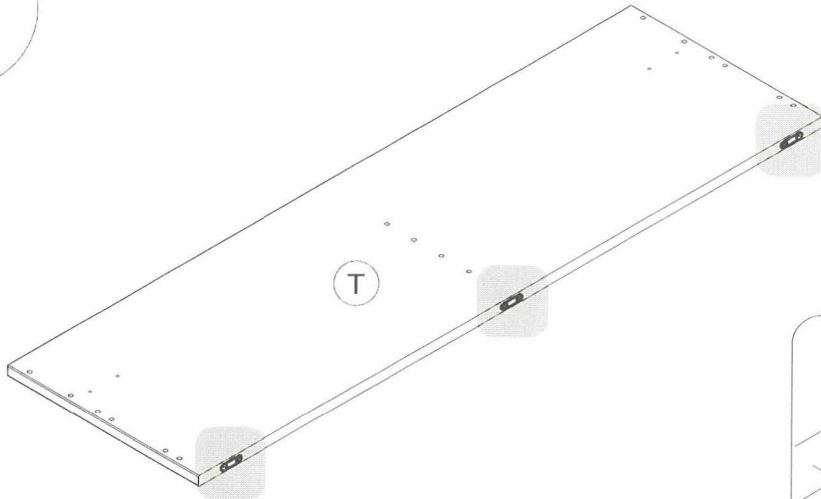
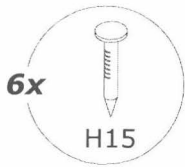
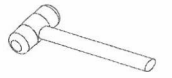


17

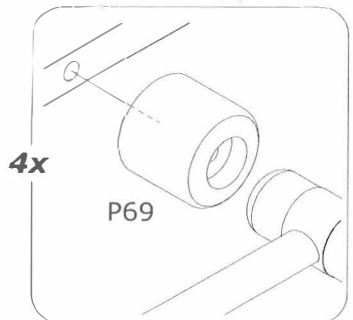
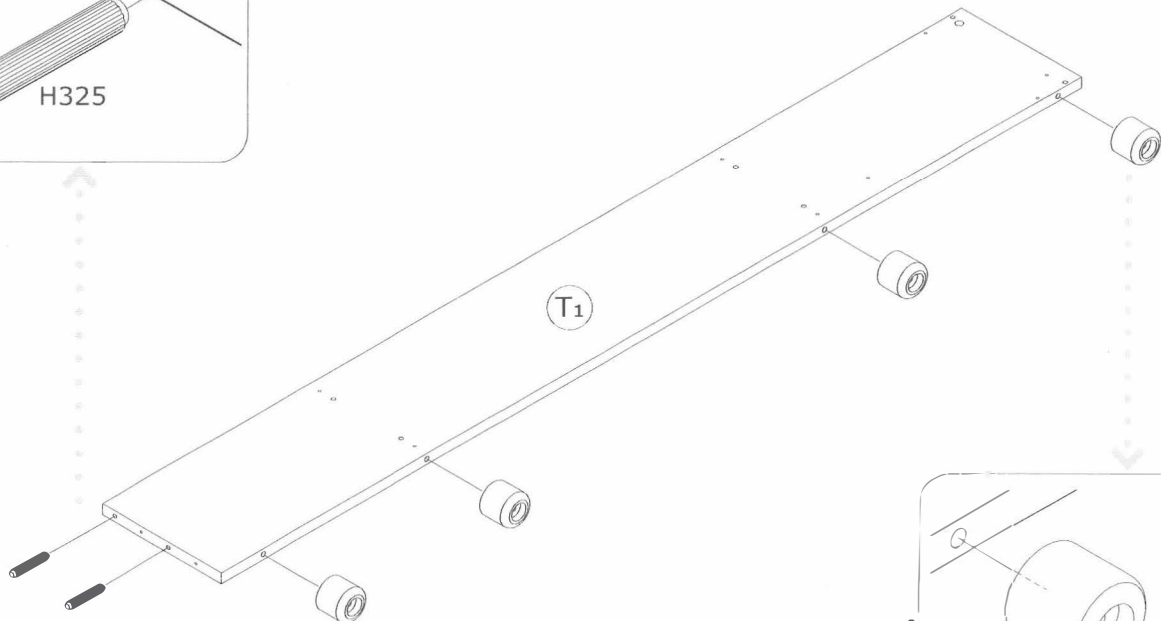
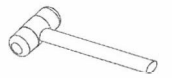


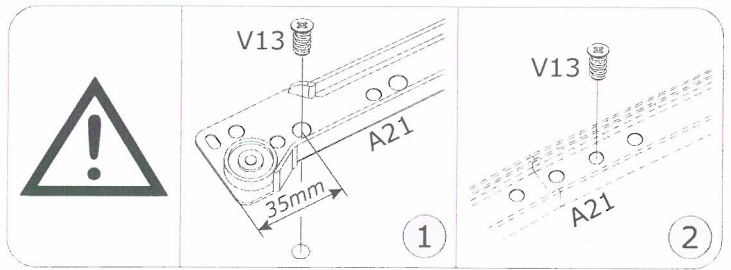
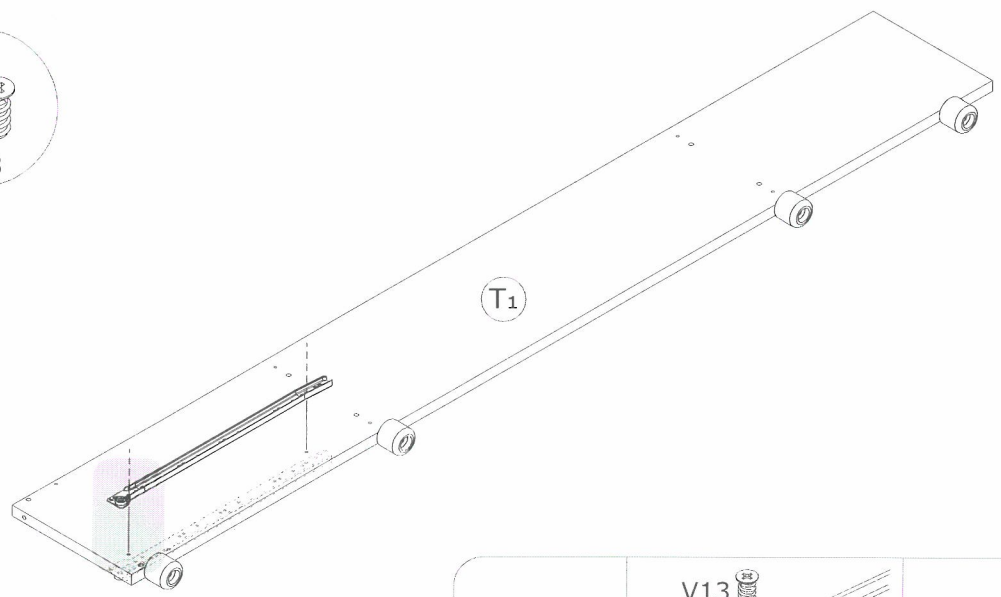
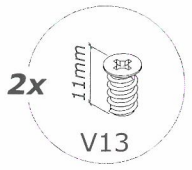
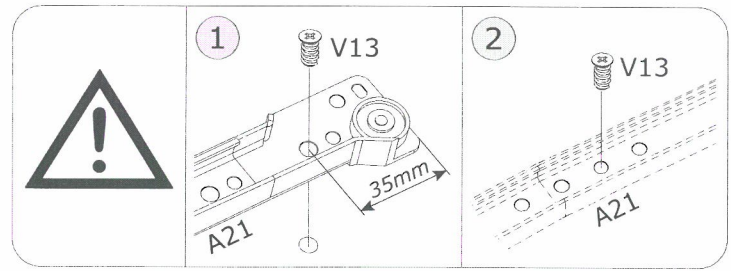
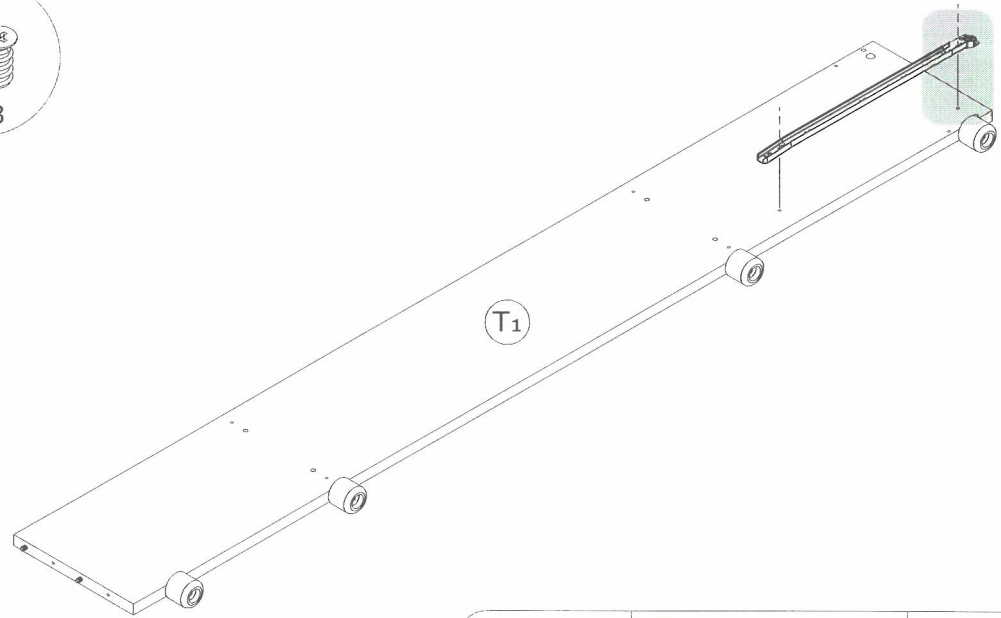
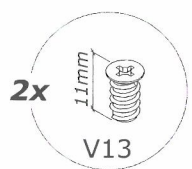
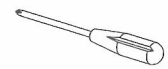


18

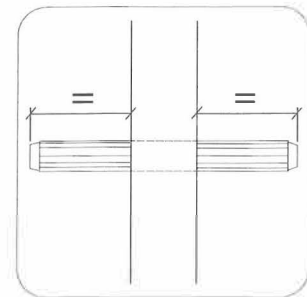
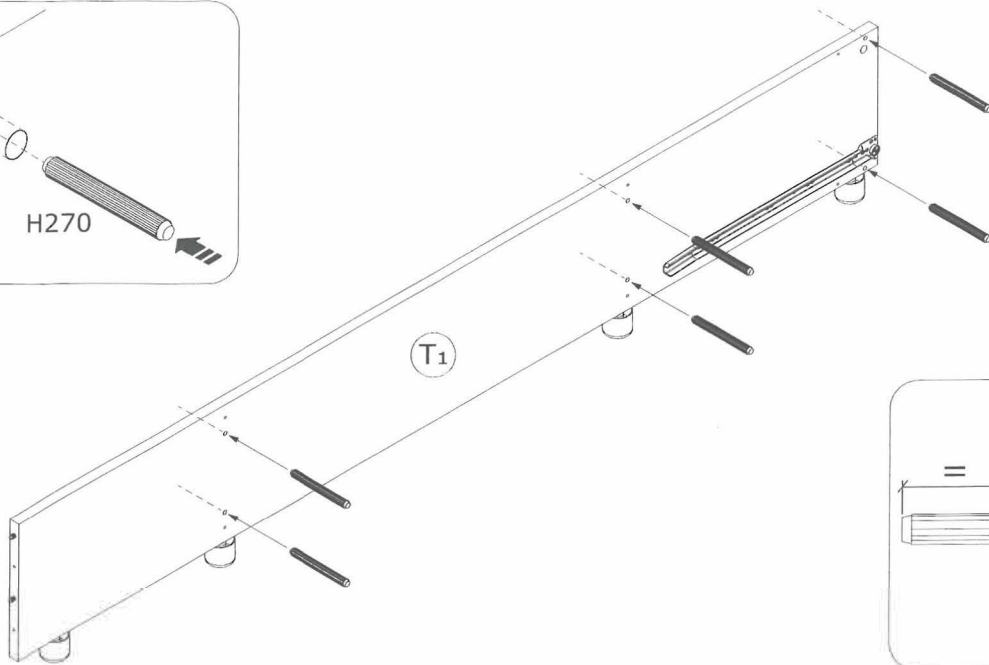
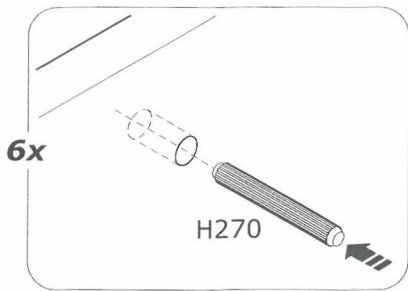
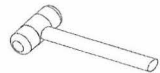


19

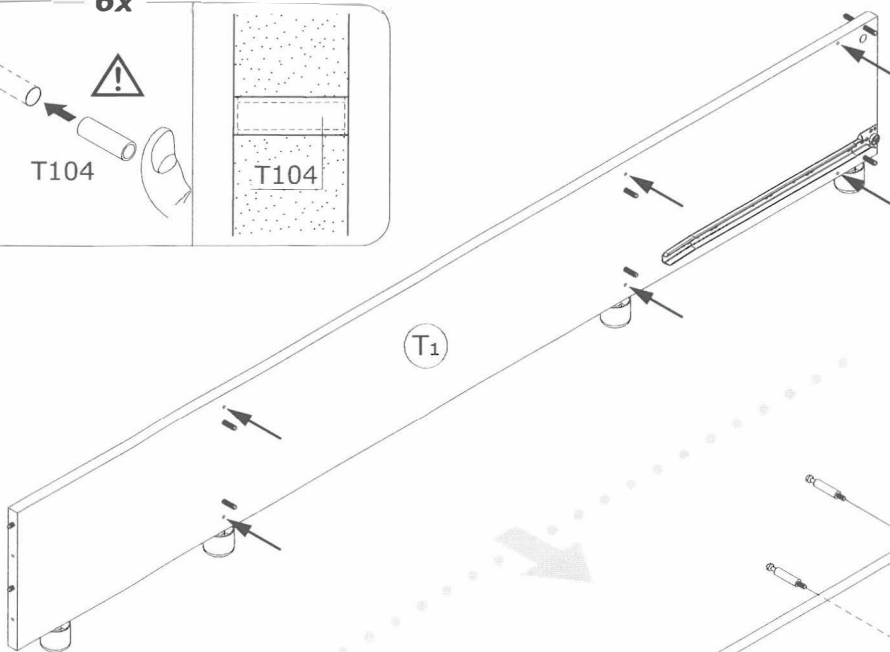
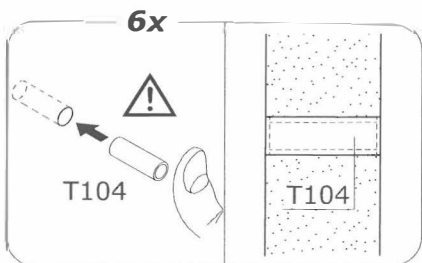
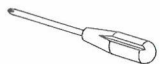




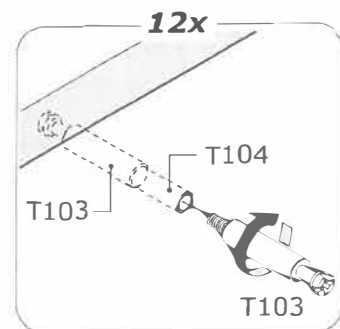
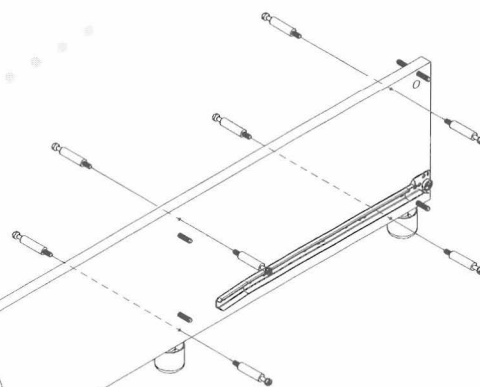
21

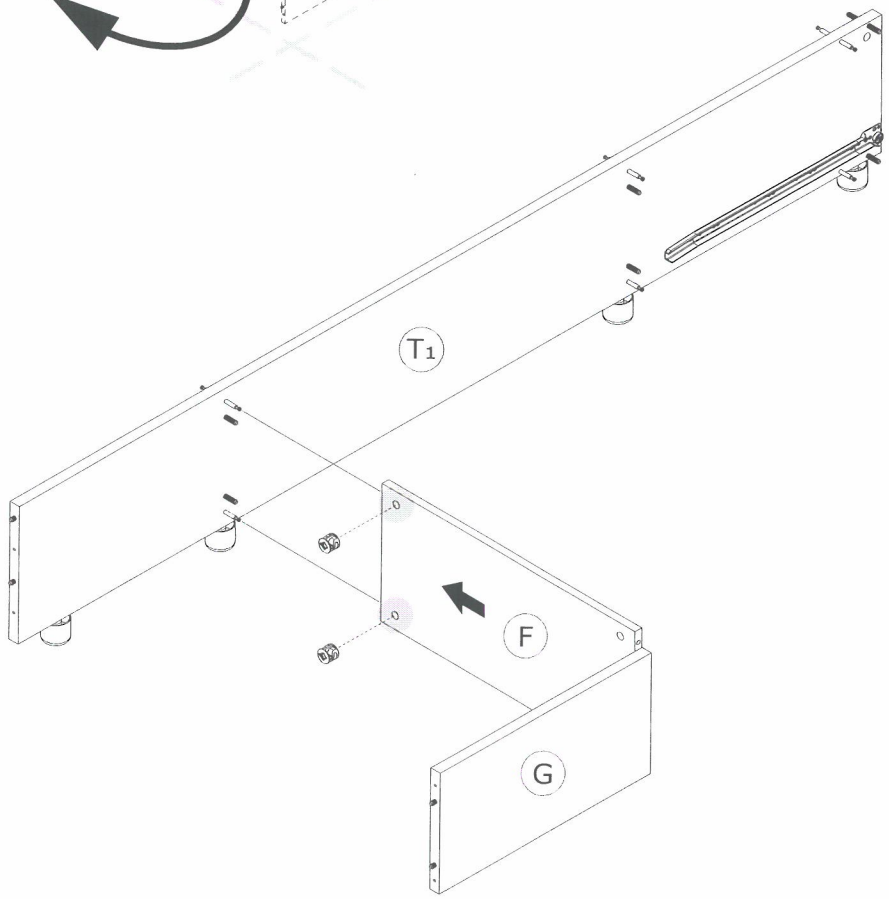
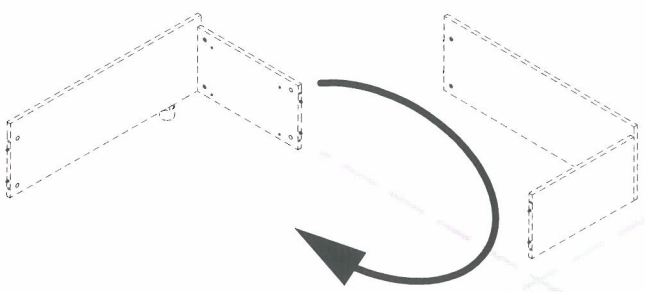
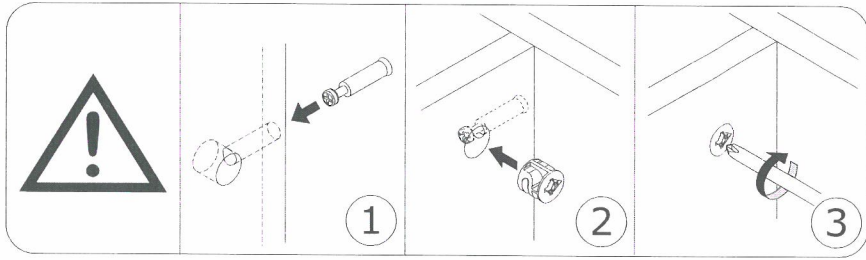
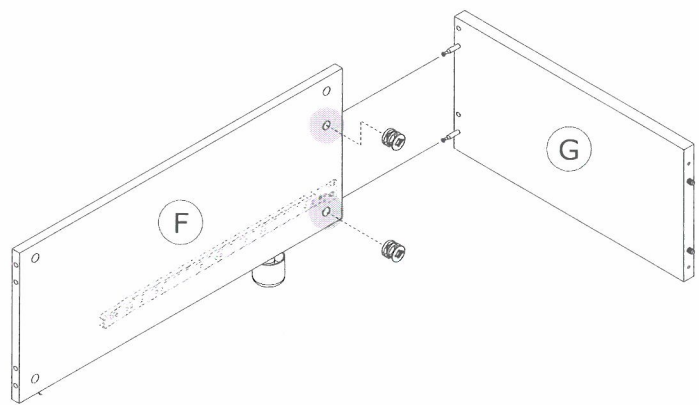
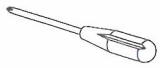


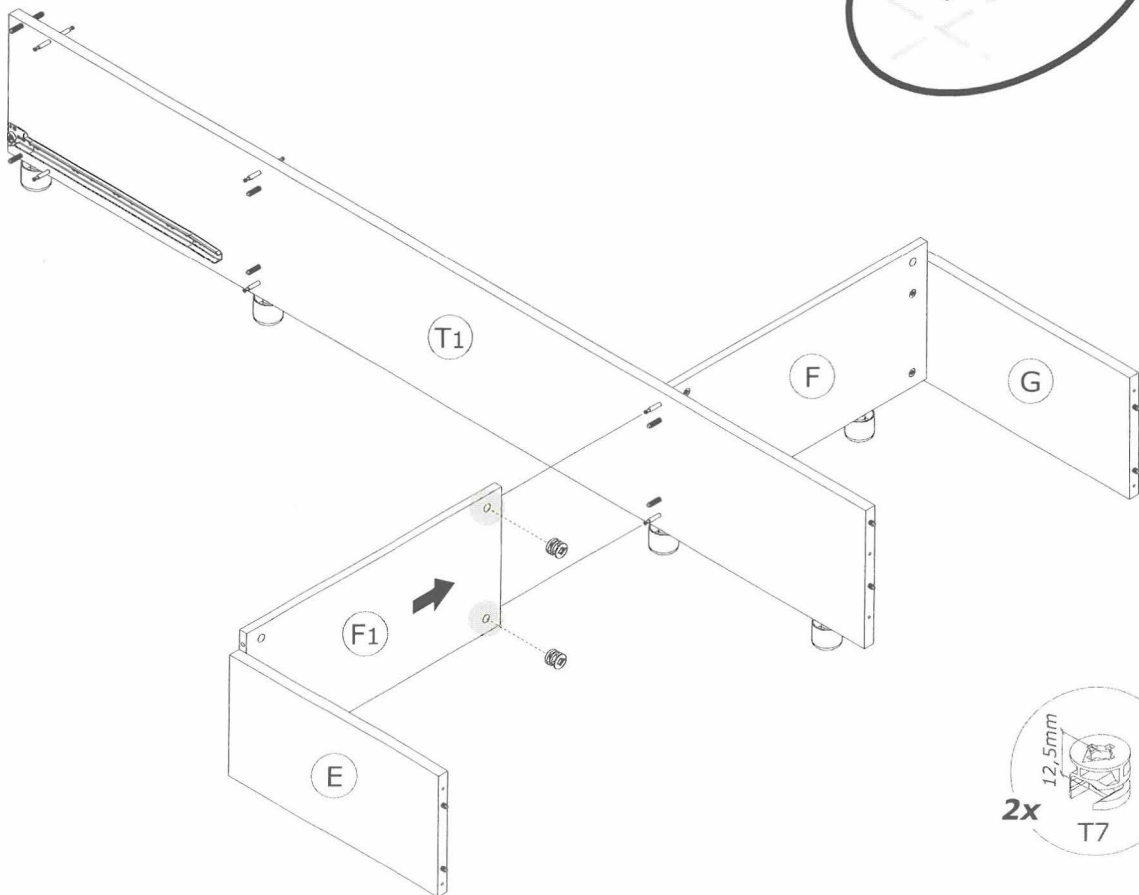
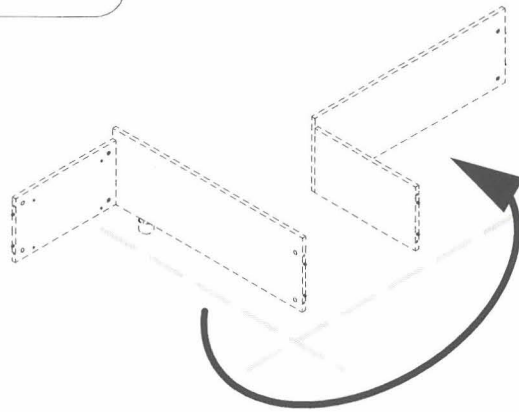
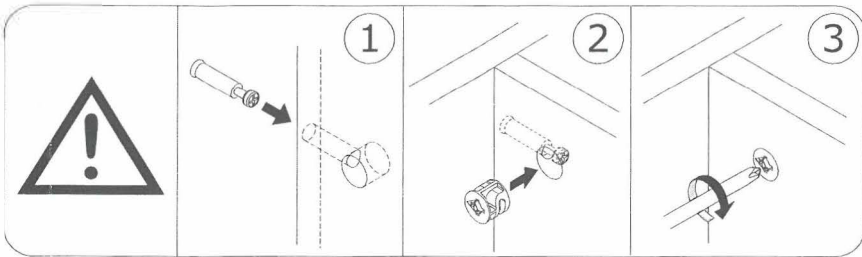
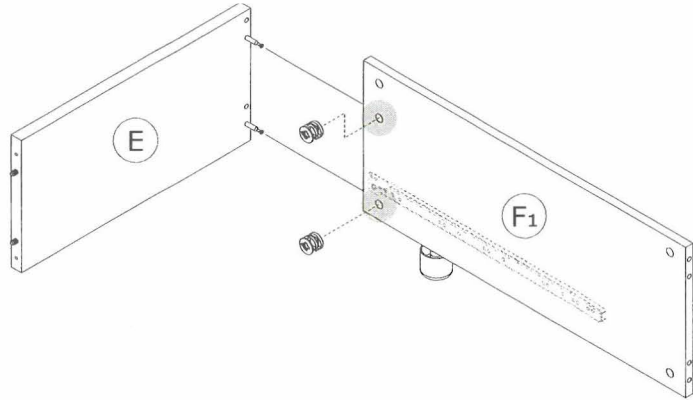
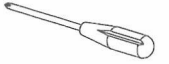
22

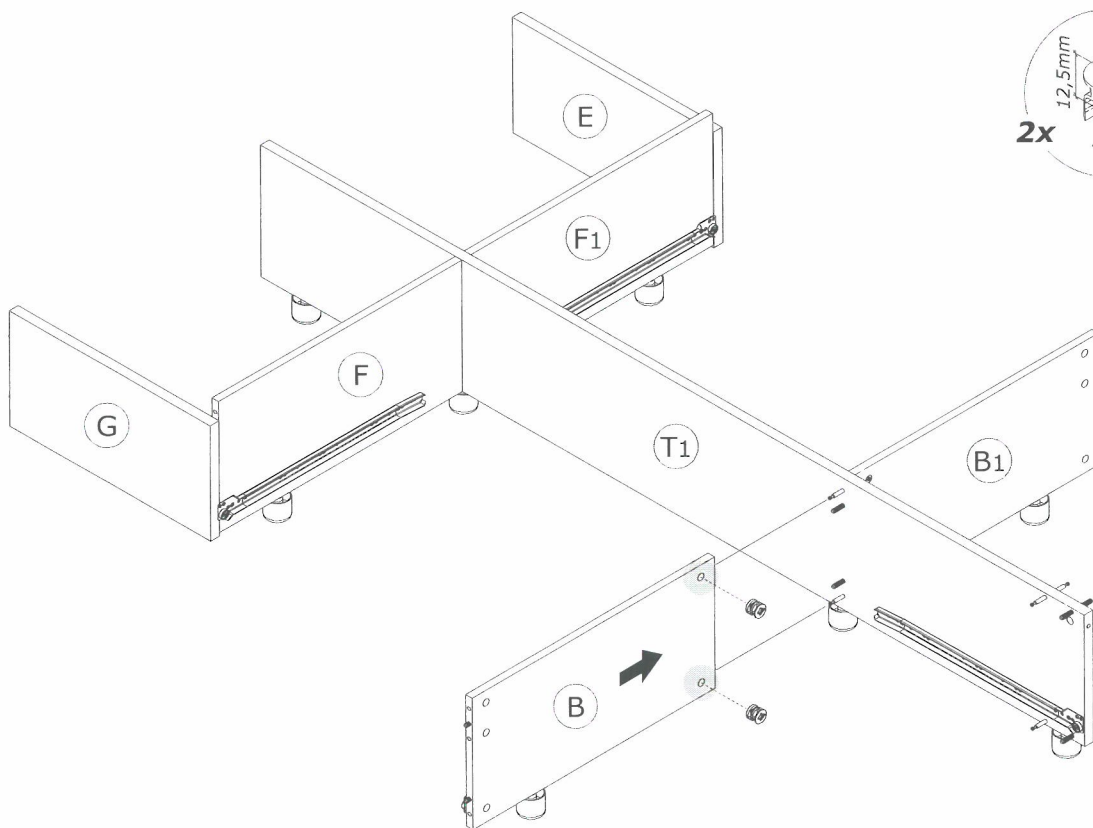
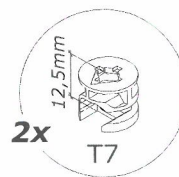
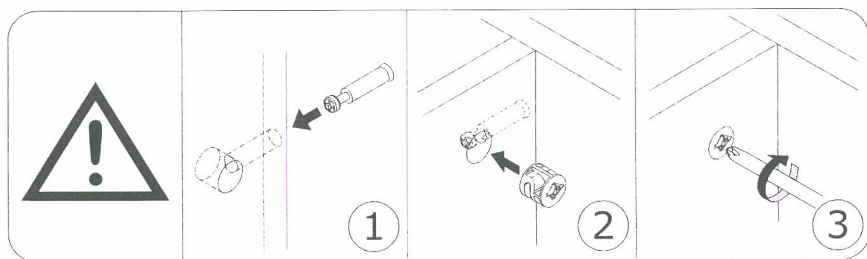
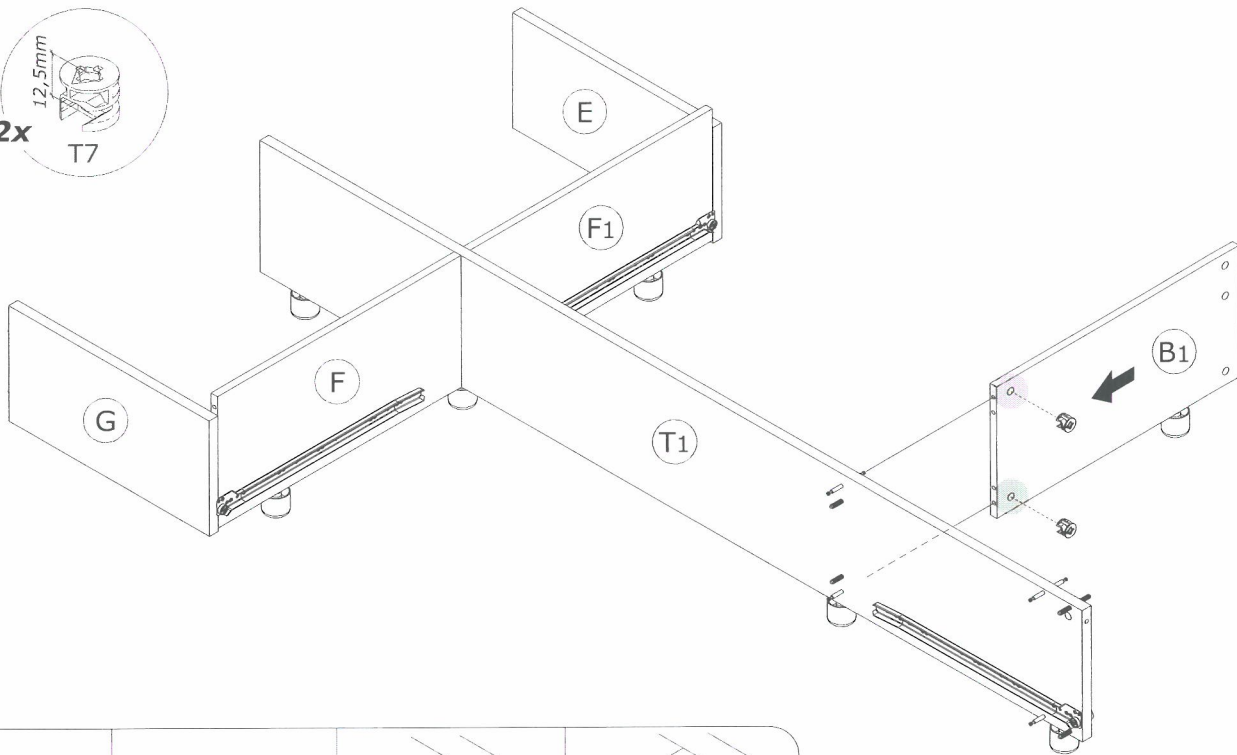


T<sub>1</sub>

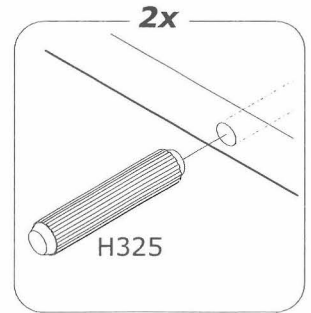
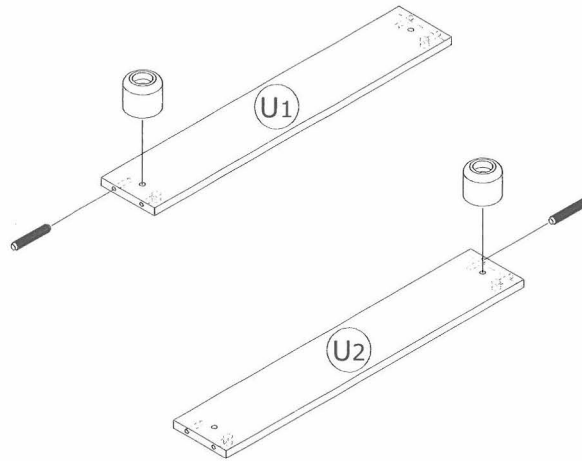
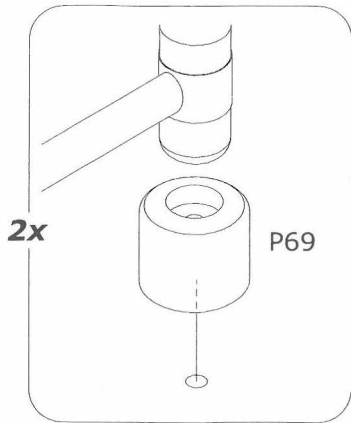
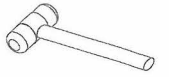




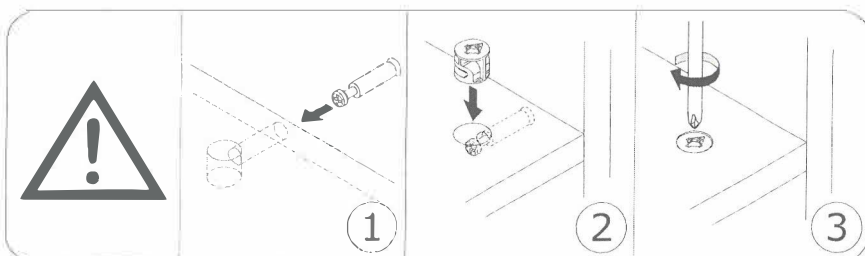
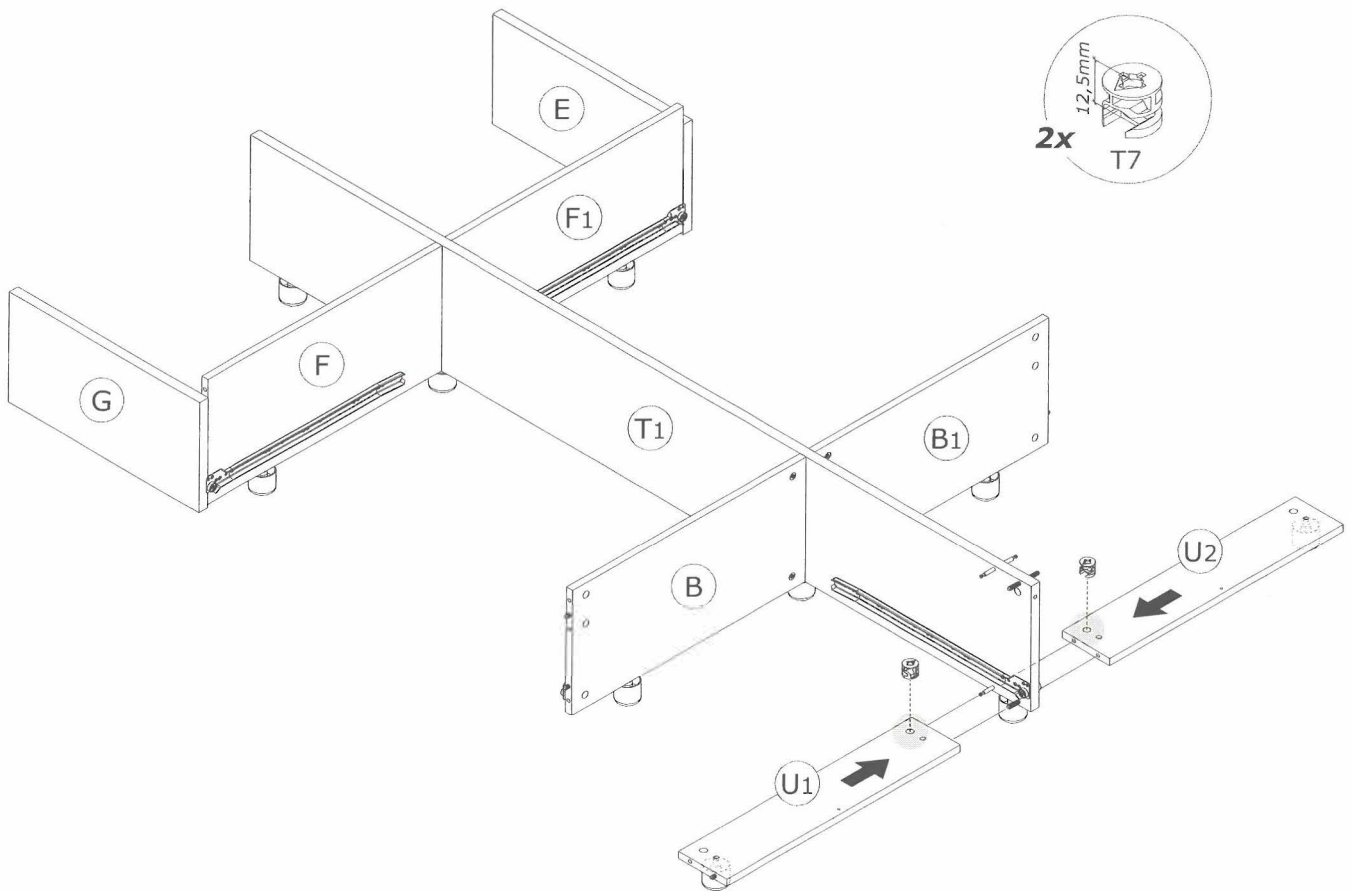




26

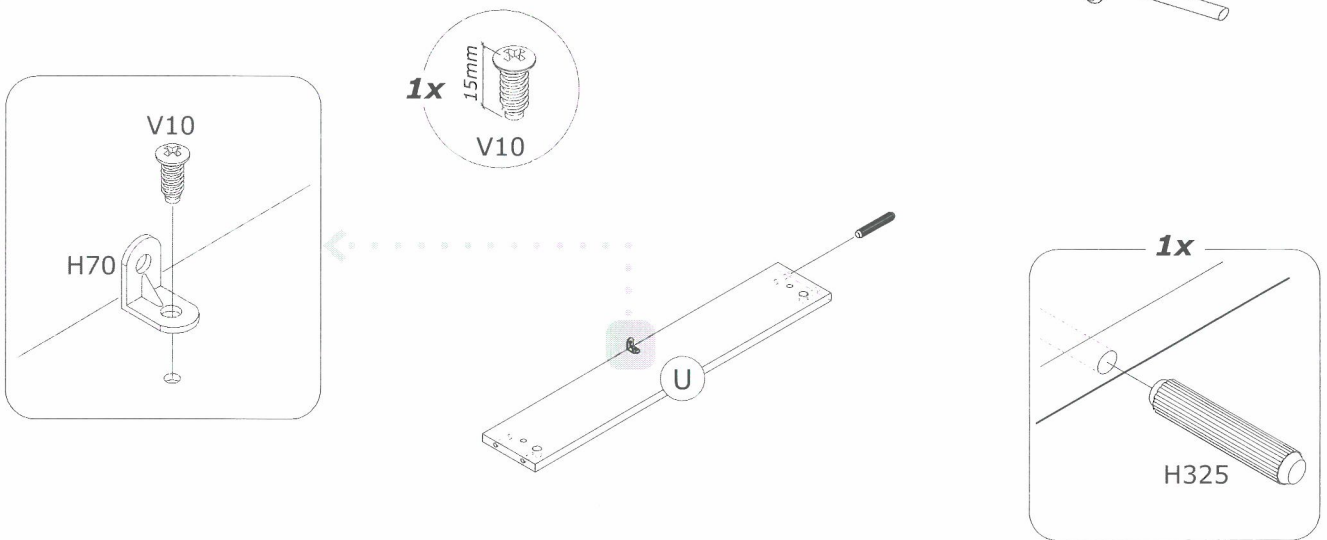
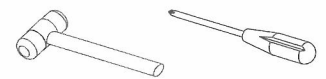


27

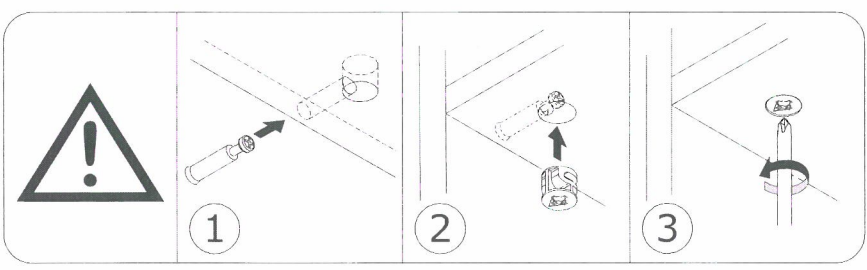
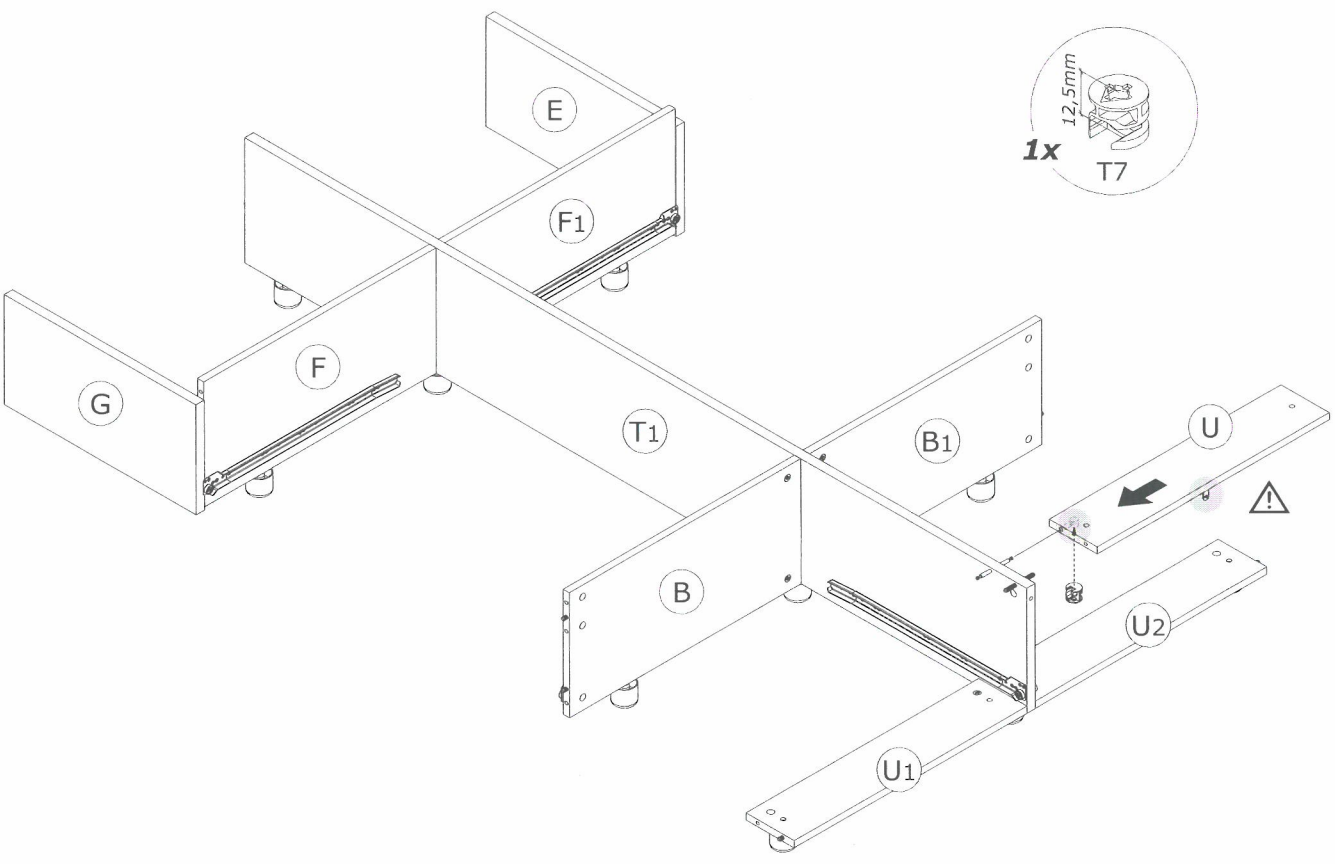
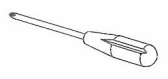




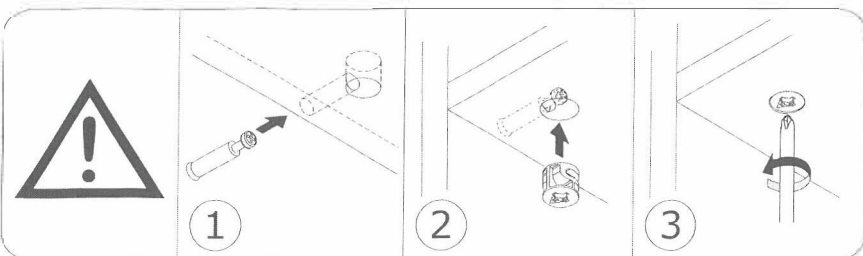
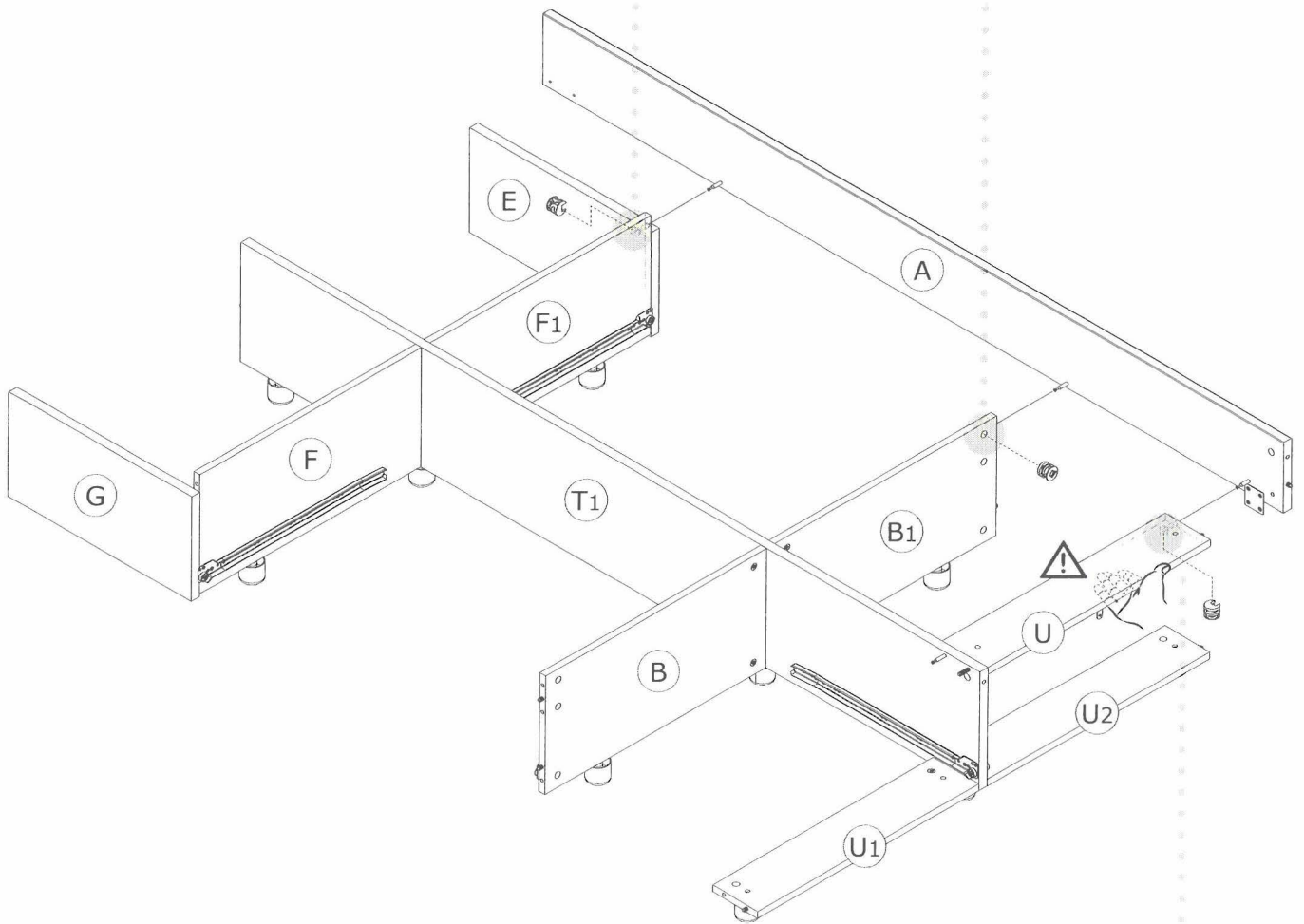
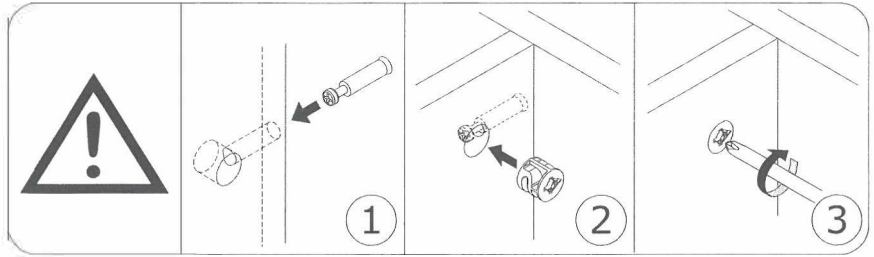
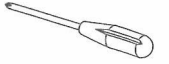
28



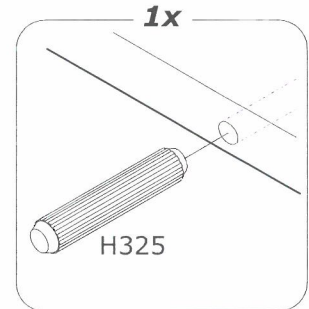
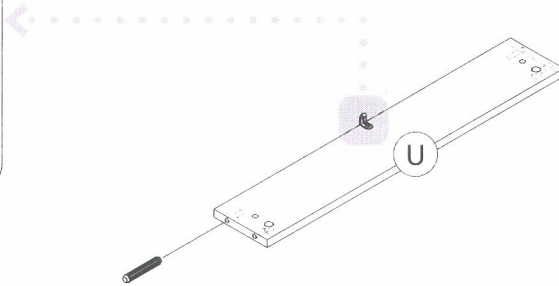
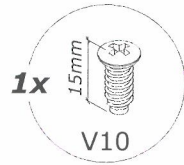
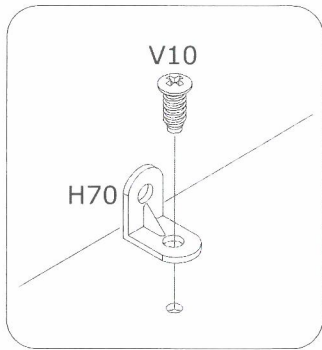
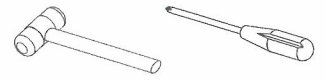
29



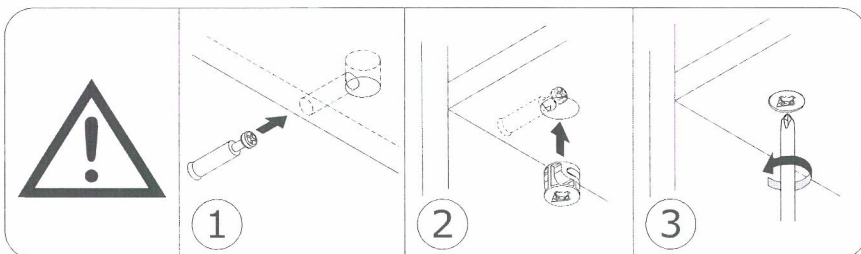
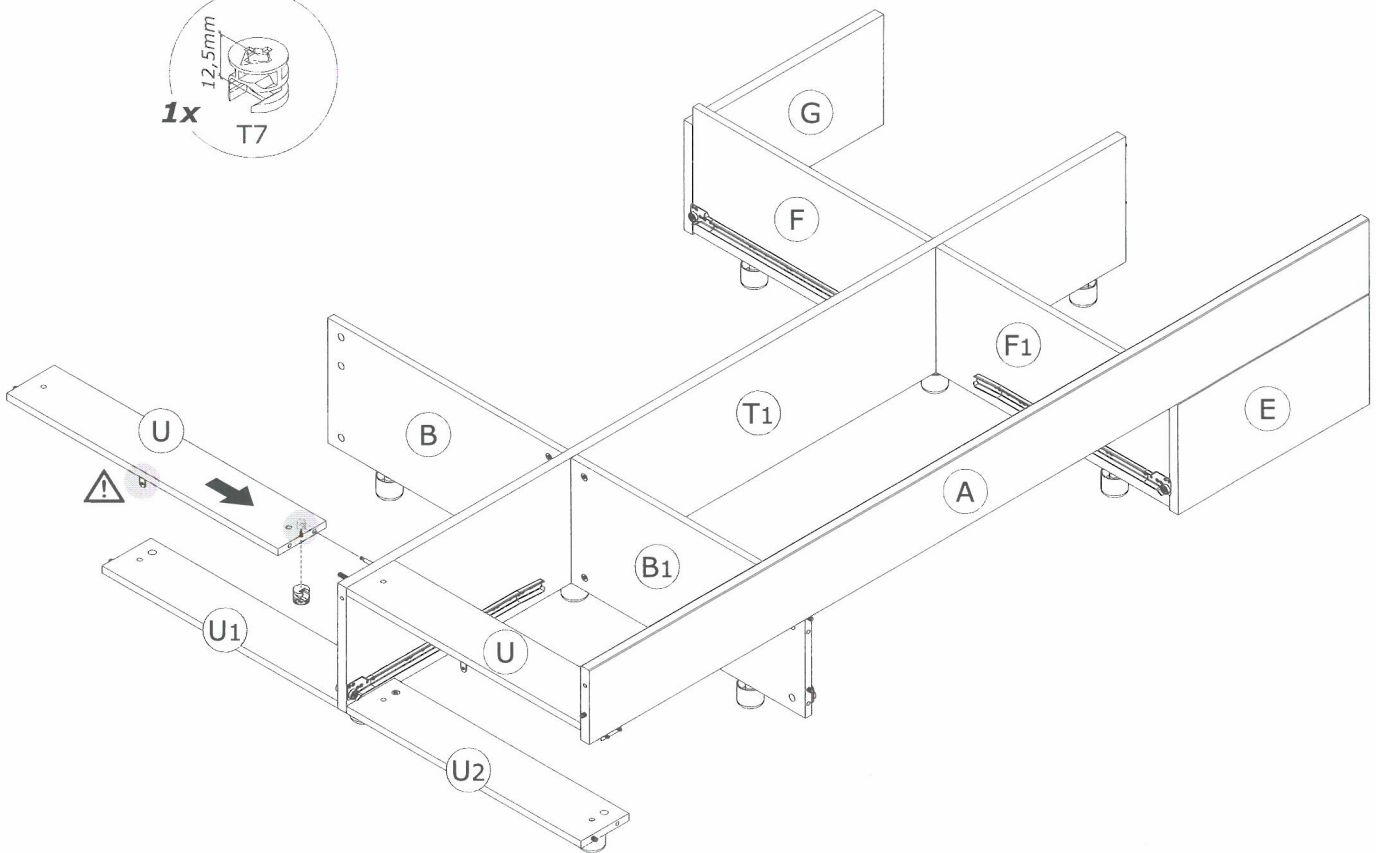
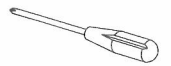


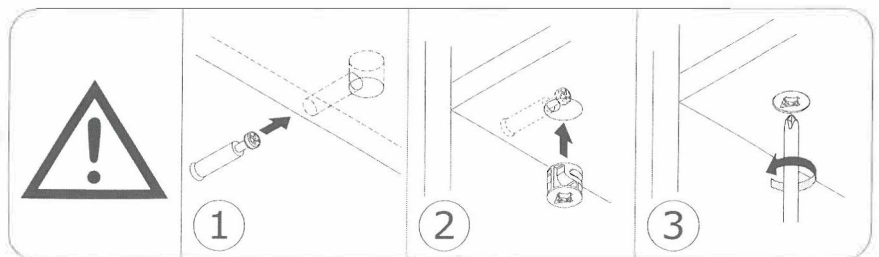
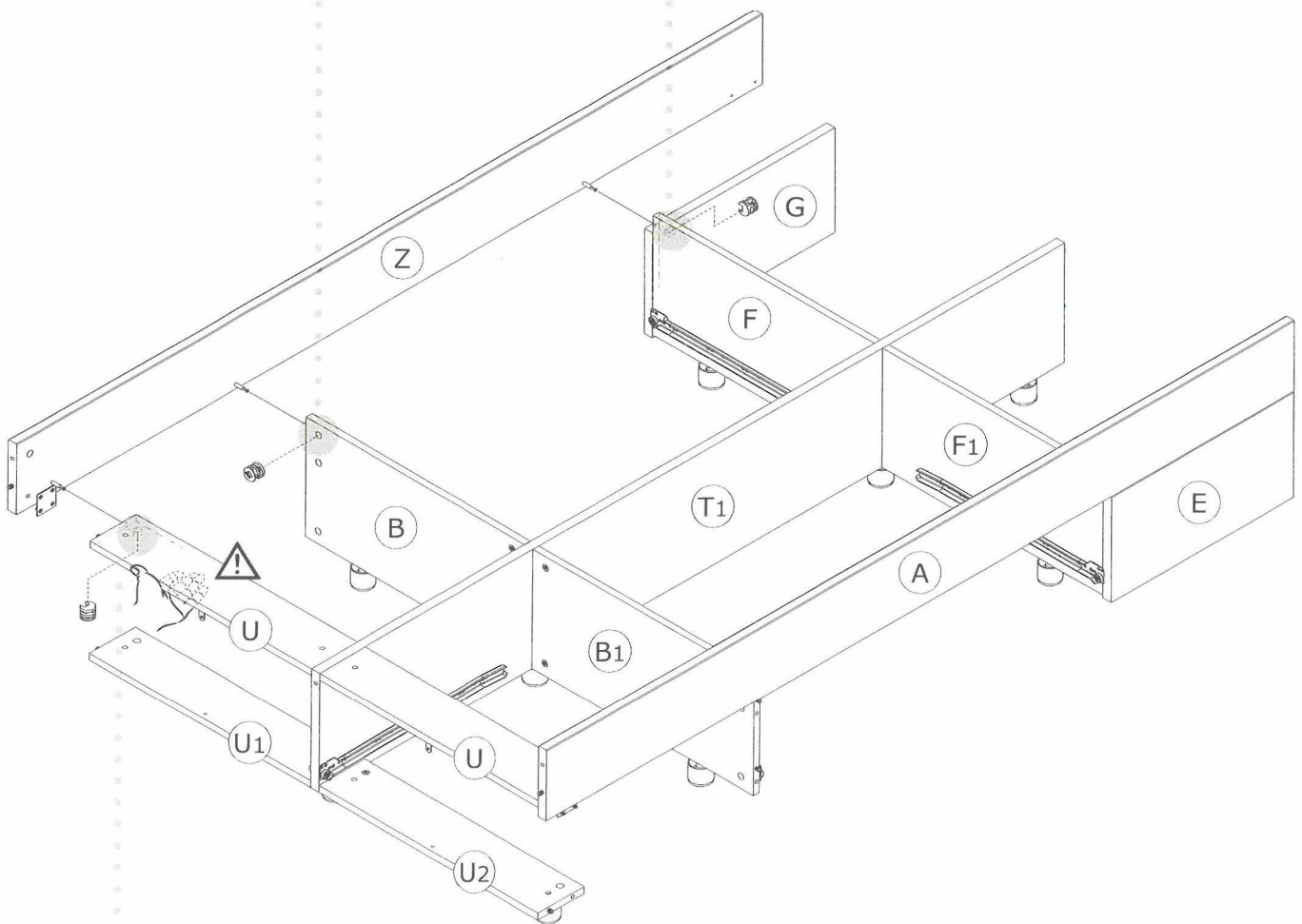
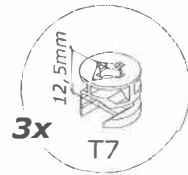
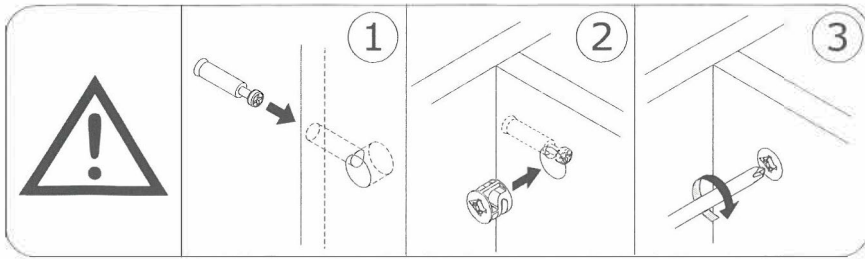


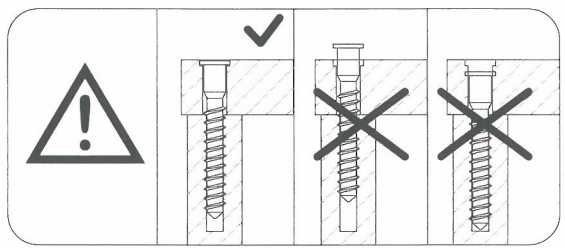
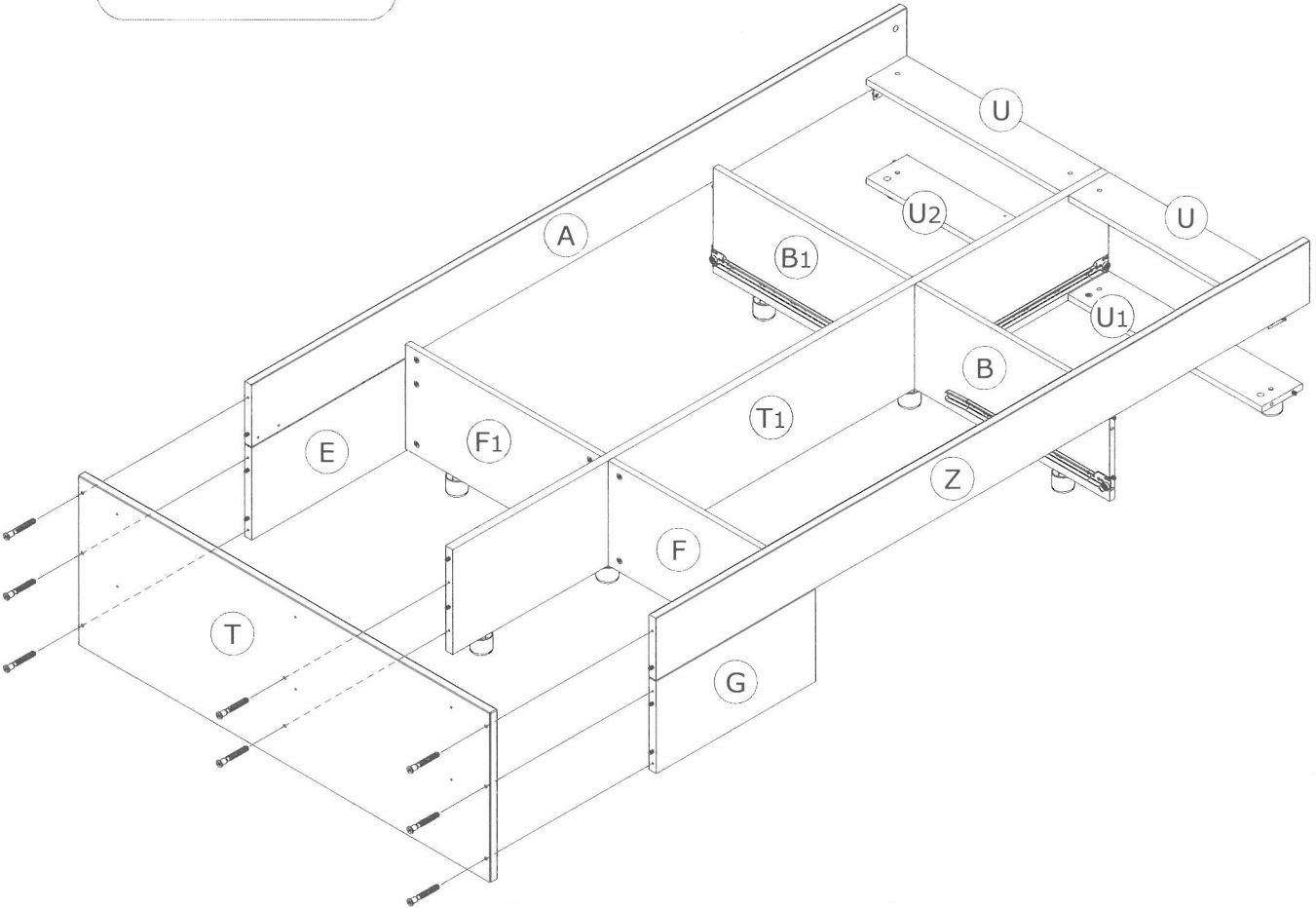
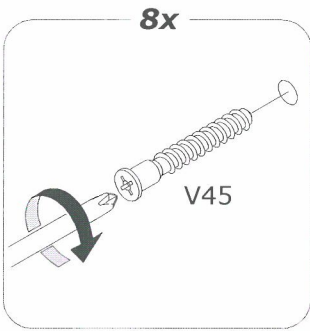
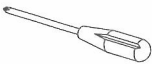
31

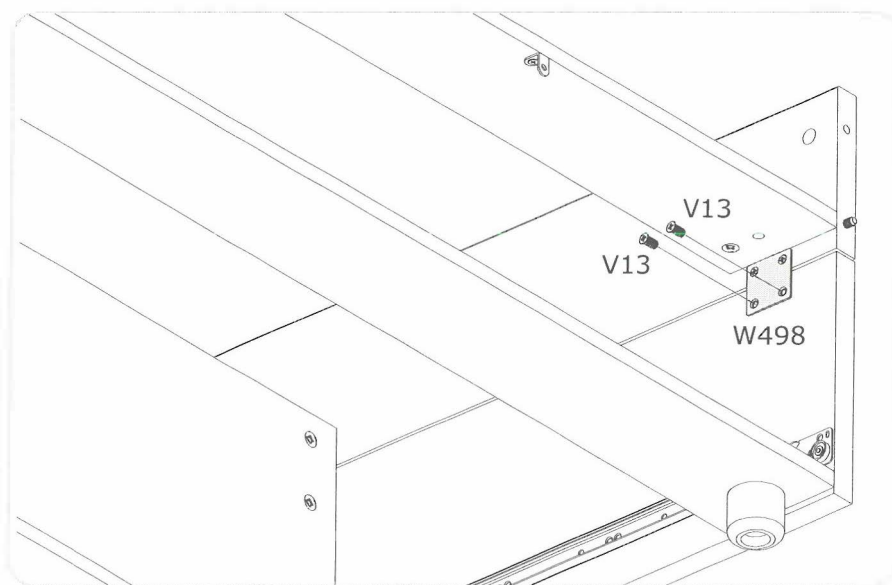
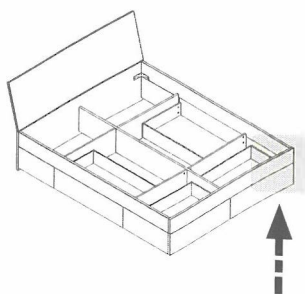
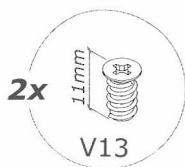
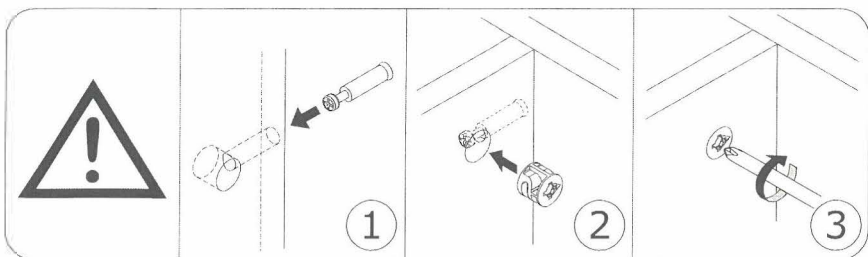
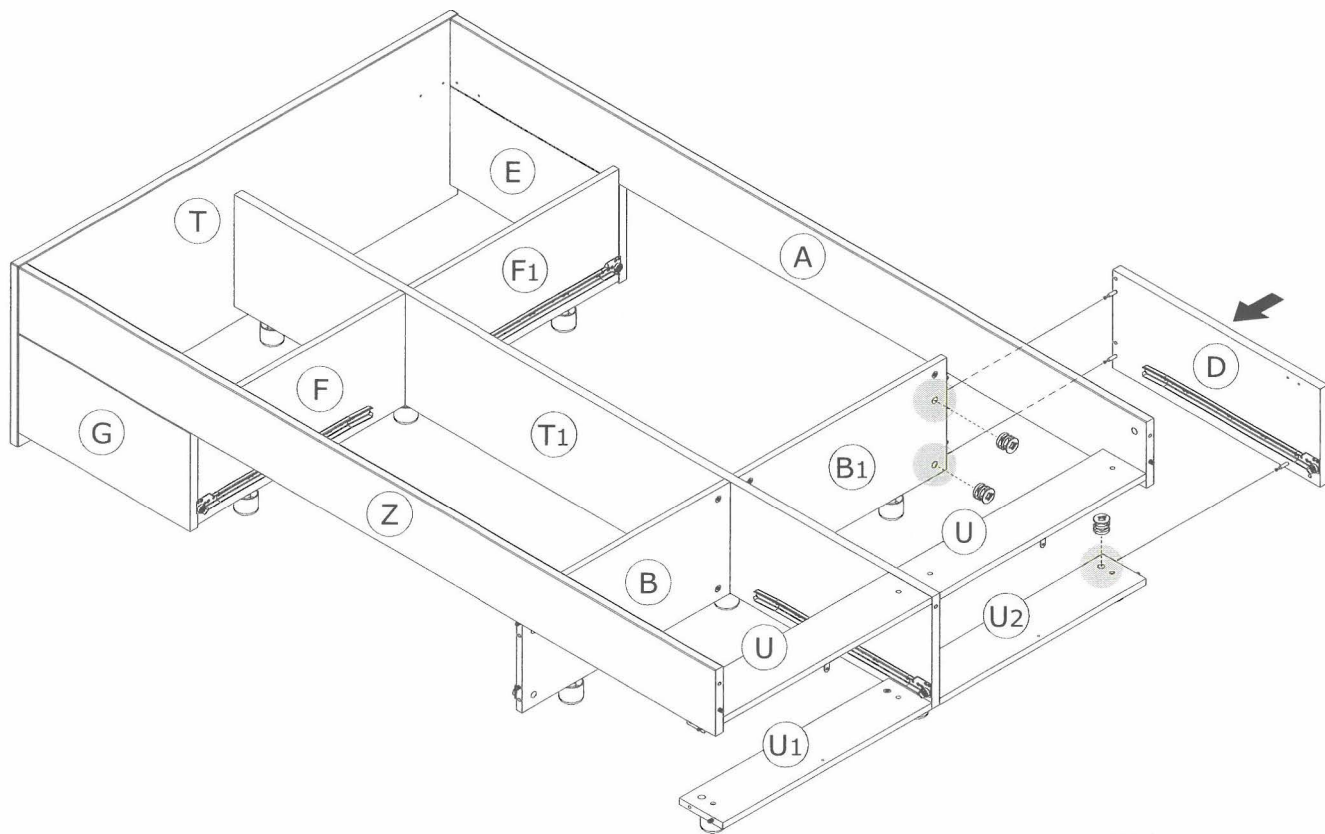


32



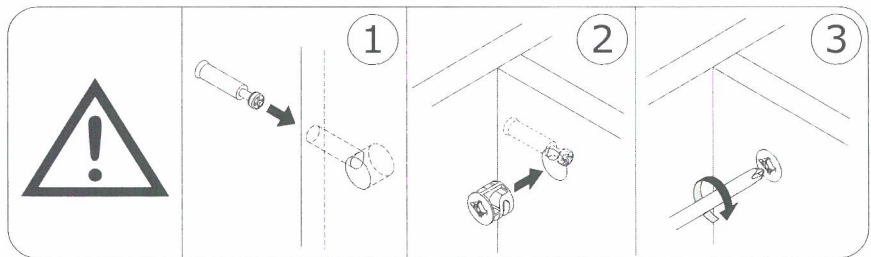
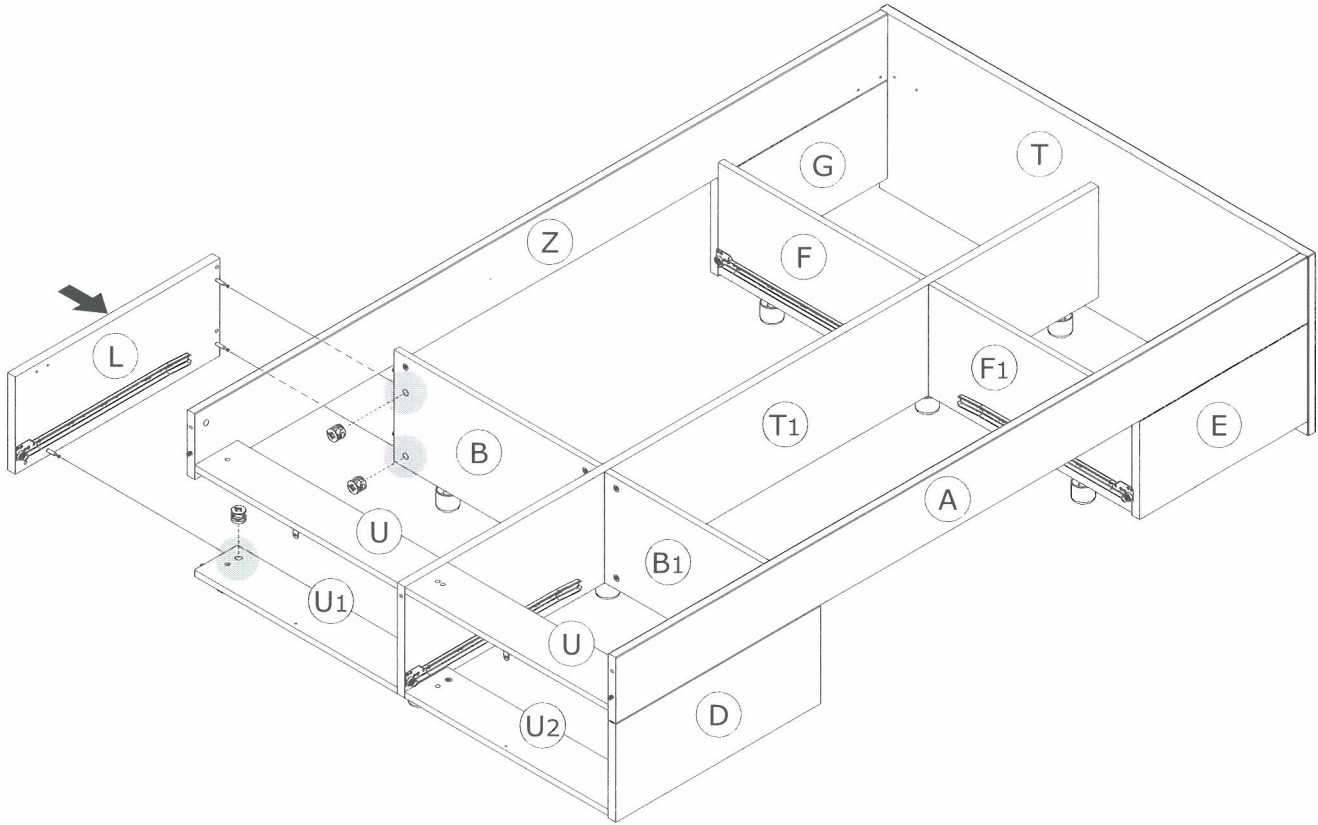
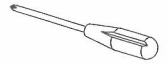




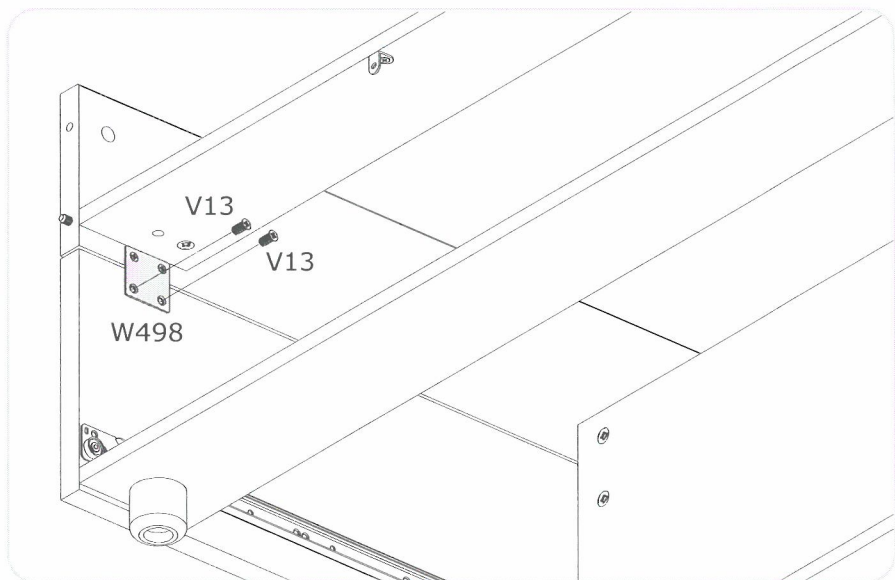
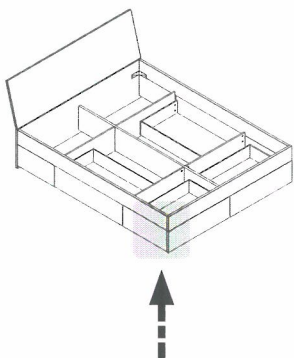
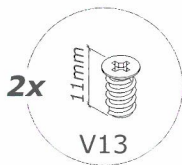
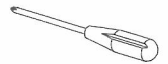


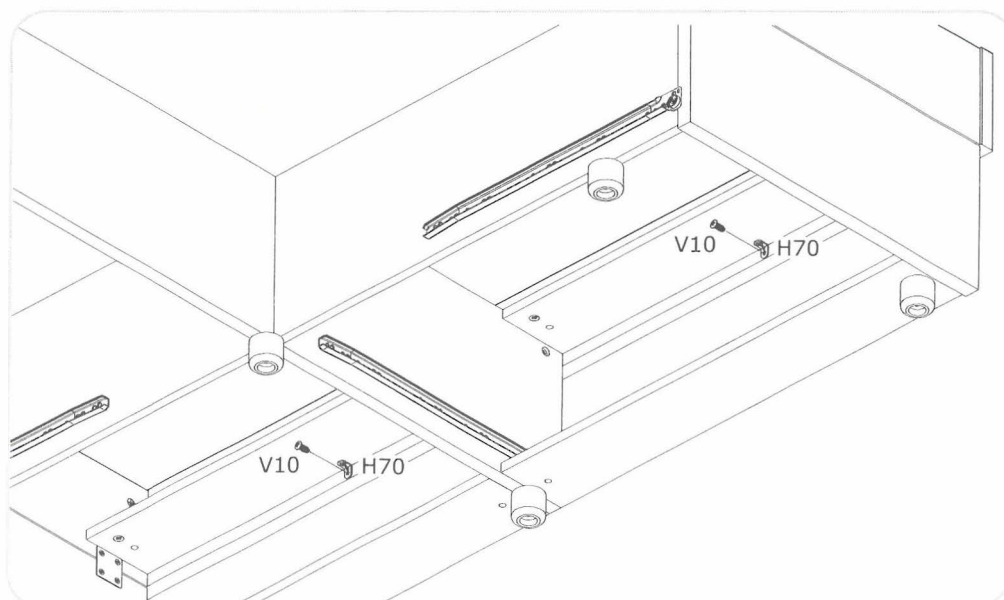
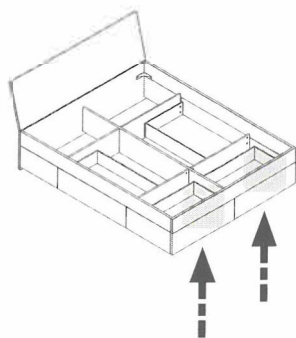
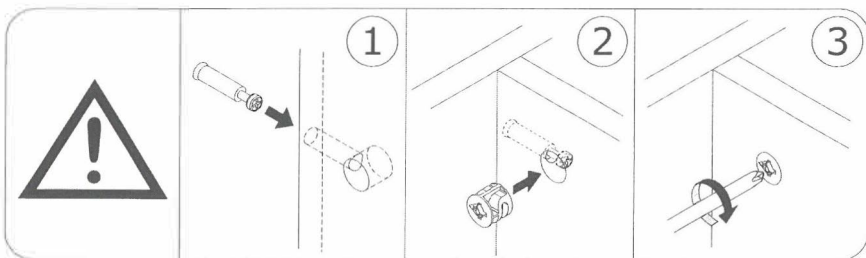
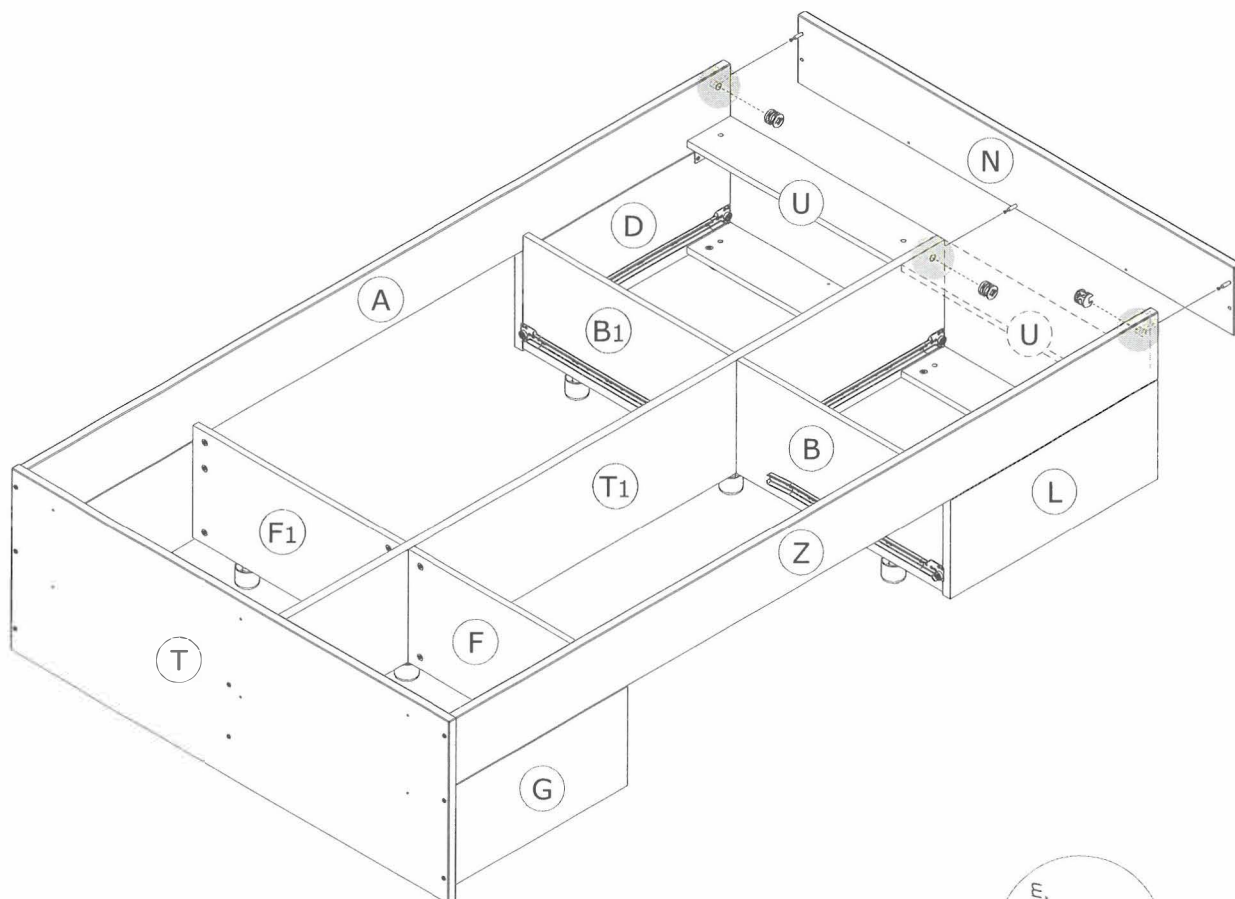


37

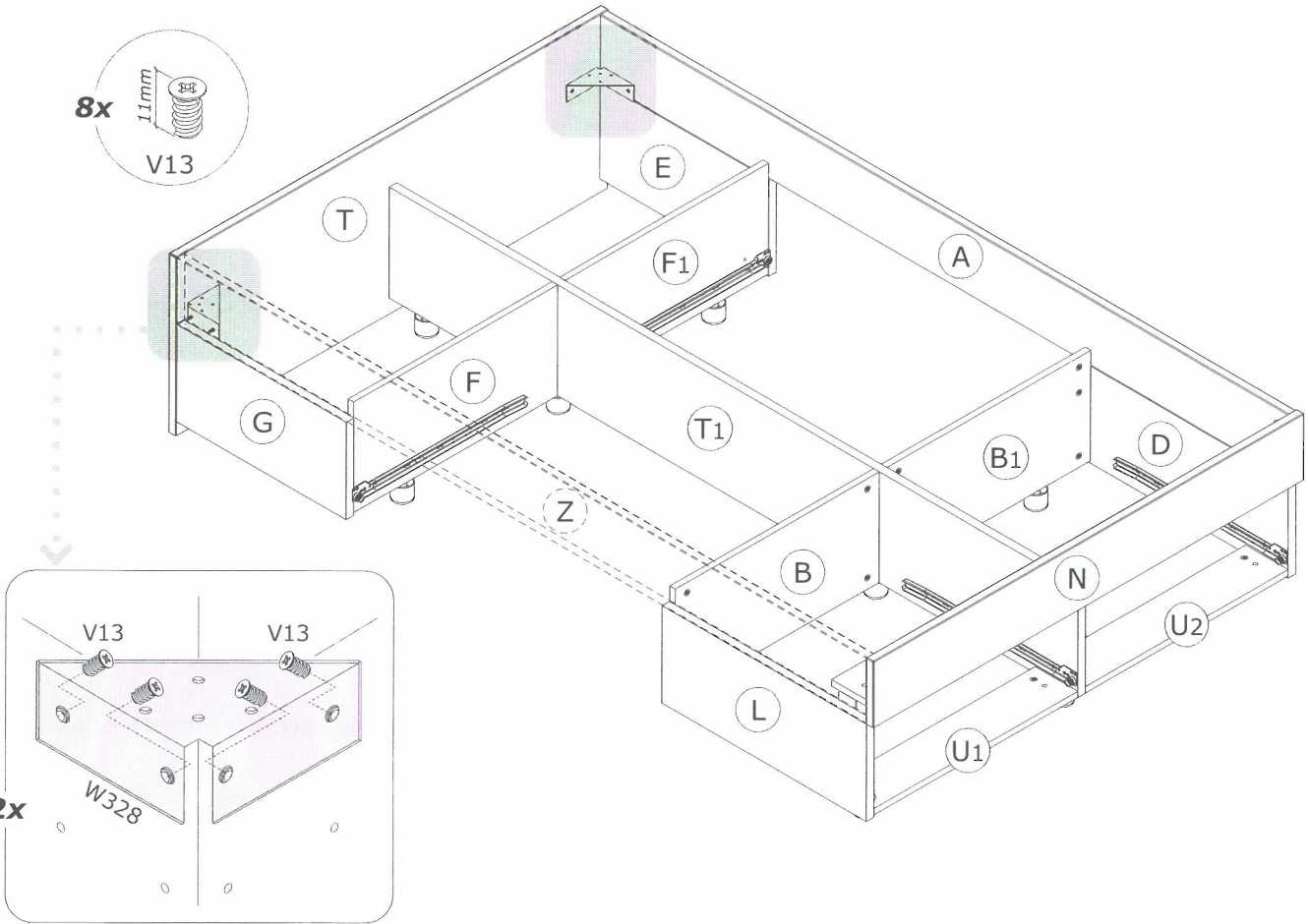
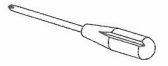


38

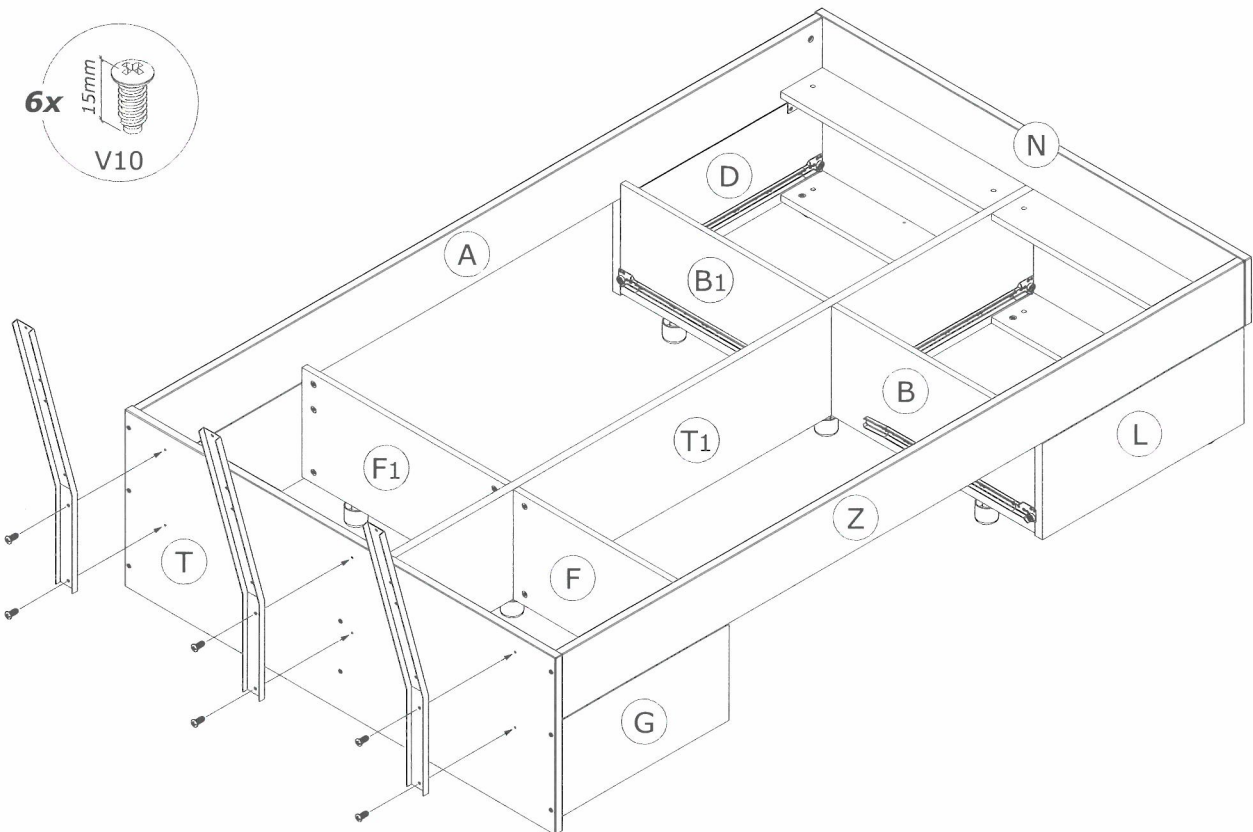




41

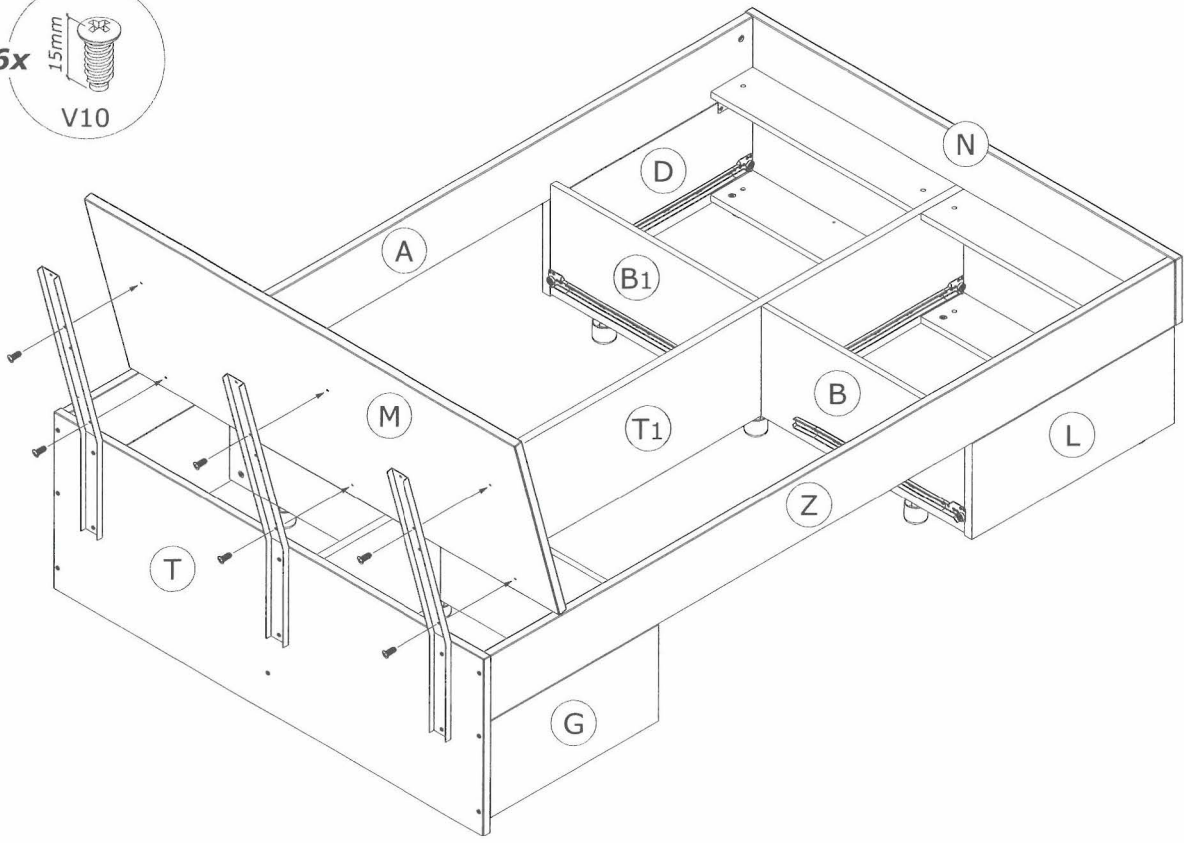


42





43



44

