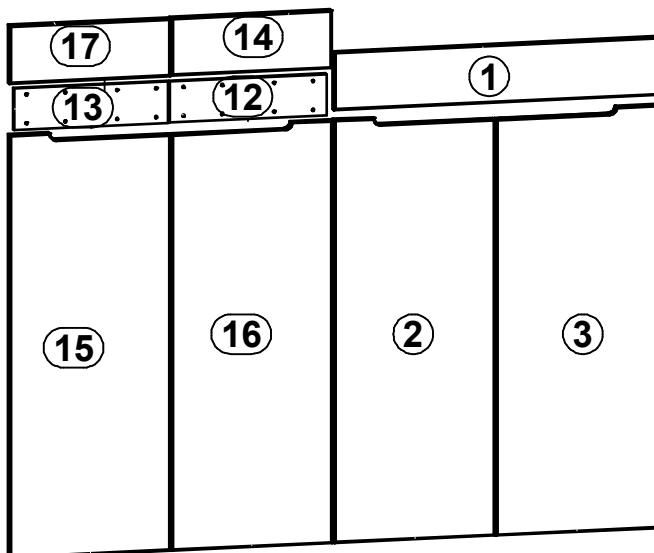
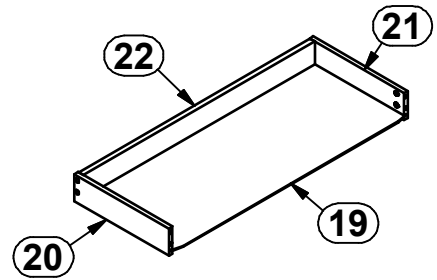
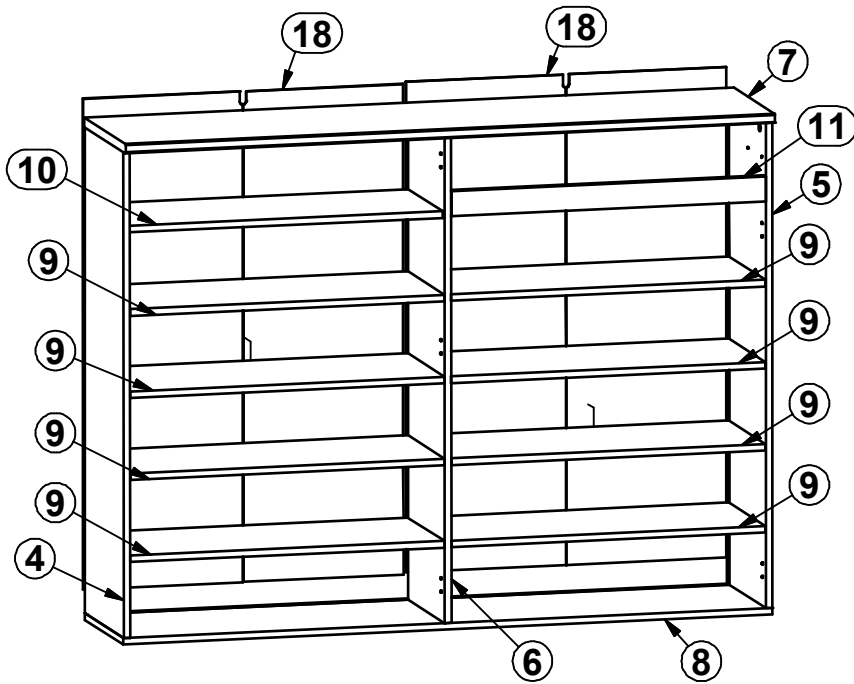
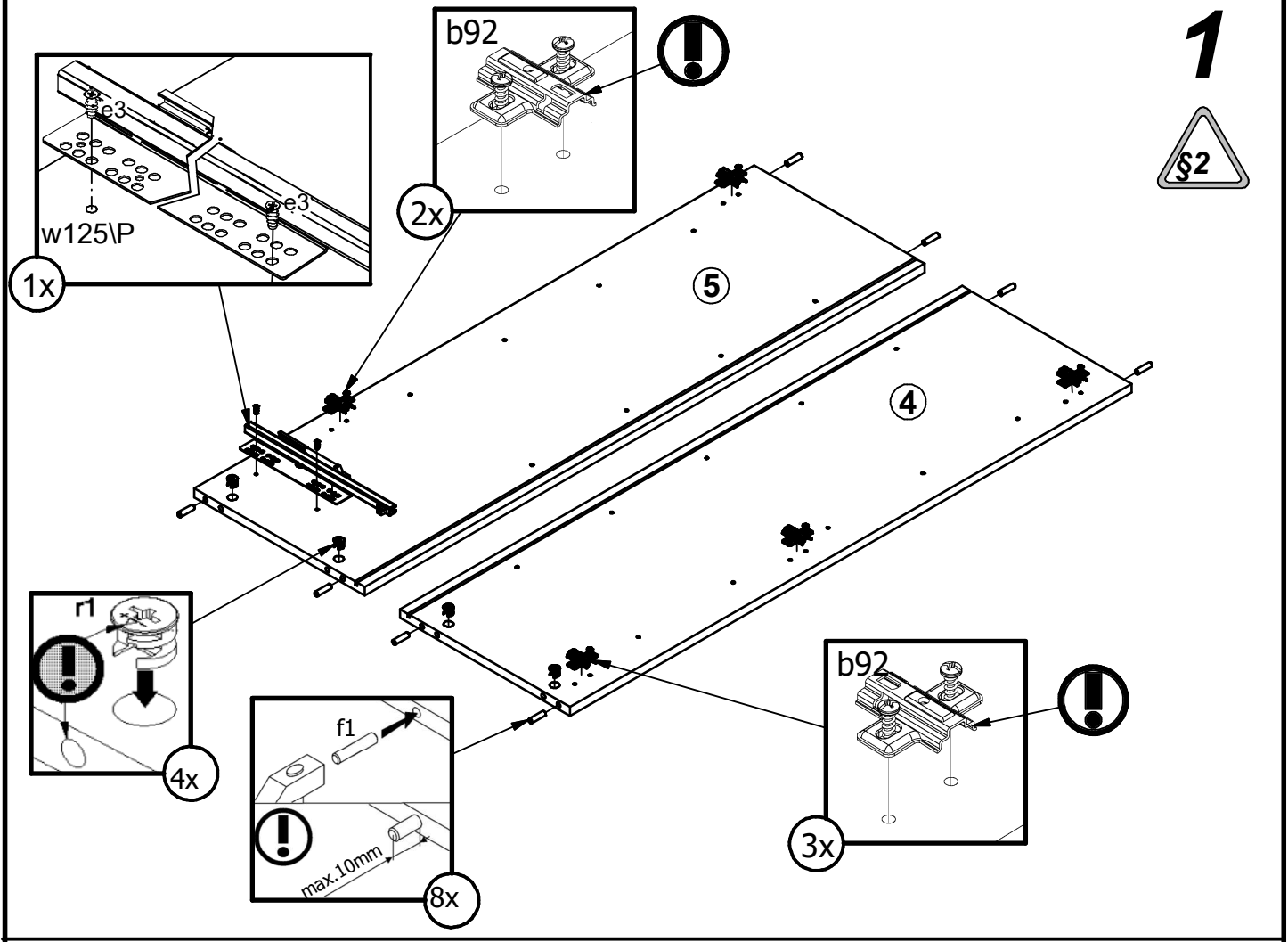


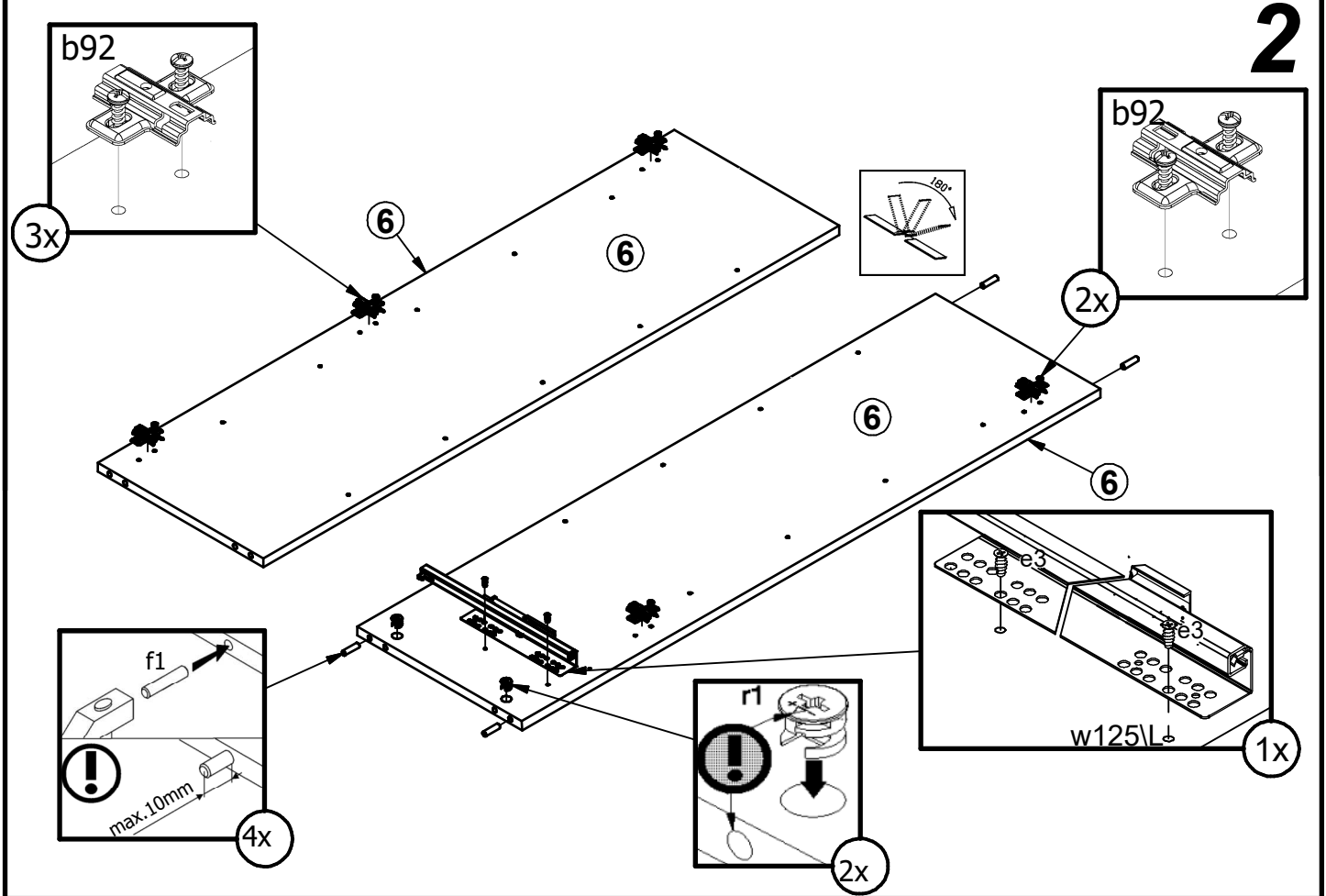
| A  | B         | C1   | C2   | C3  | D   |
|----|-----------|------|------|-----|-----|
| 1  | S545-0017 | 796  | 140  | 18  | 2/3 |
| 2  | S545-0018 | 396  | 1023 | 18  | 2/3 |
| 3  | S545-0019 | 396  | 1023 | 18  | 2/3 |
| 4  | S545-1024 | 1176 | 358  | 16  | 3/3 |
| 5  | S545-1025 | 1176 | 358  | 16  | 3/3 |
| 6  | S545-1026 | 1176 | 338  | 16  | 3/3 |
| 7  | S545-2011 | 1601 | 380  | 22  | 3/3 |
| 8  | S545-2012 | 1601 | 358  | 16  | 3/3 |
| 9  | S545-3012 | 775  | 338  | 16  | 1/3 |
| 10 | S545-3013 | 775  | 320  | 16  | 1/3 |
| 11 | S545-4008 | 776  | 60   | 16  | 2/3 |
| 12 | S545-7018 | 387  | 100  | 12  | 3/3 |
| 13 | S545-7023 | 379  | 100  | 12  | 3/3 |
| 14 | S545-7024 | 396  | 140  | 18  | 2/3 |
| 15 | S545-7026 | 396  | 1023 | 18  | 2/3 |
| 16 | S545-7027 | 396  | 1023 | 18  | 2/3 |
| 17 | S545-7028 | 396  | 140  | 18  | 2/3 |
| 18 | S545-9305 | 1186 | 789  | 2.5 | 2/3 |
| 19 | WSP-9436  | 746  | 308  | 2.5 | 3/3 |
| 20 | ZQ6-525   | 300  | 75   | 12  | 3/3 |
| 21 | ZQ6-526   | 300  | 75   | 12  | 3/3 |
| 22 | ZQ6-5284  | 736  | 62   | 15  | 2/3 |



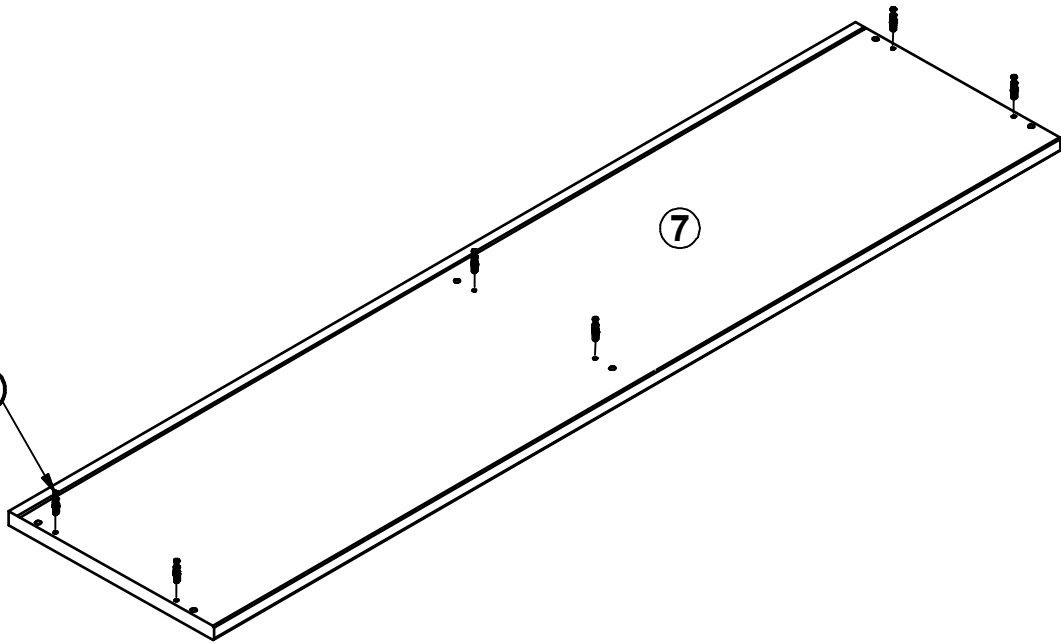
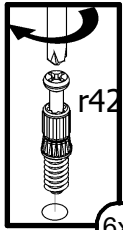
1



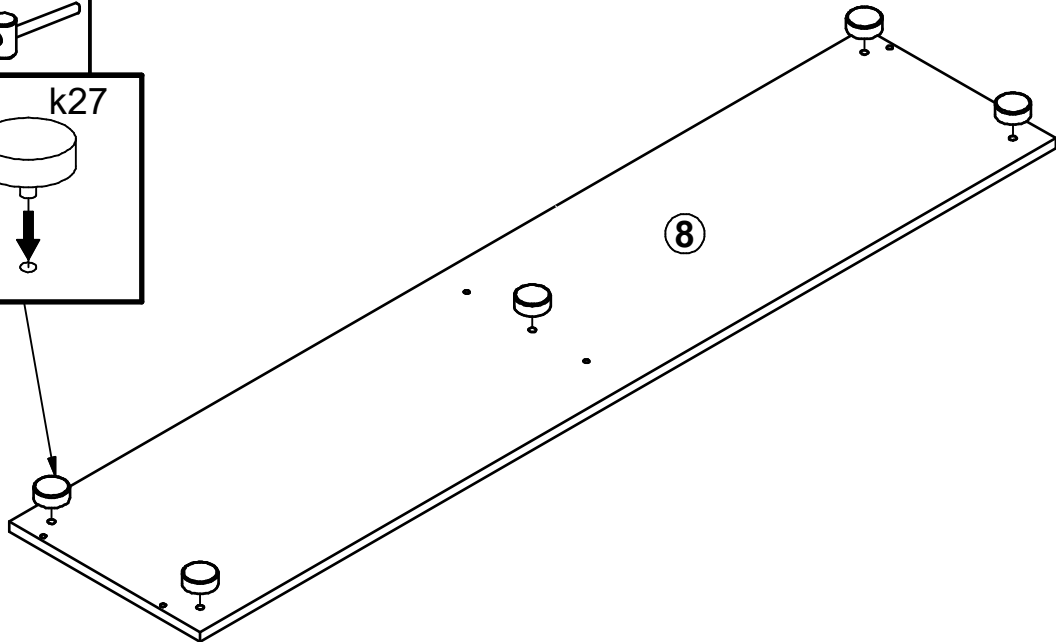
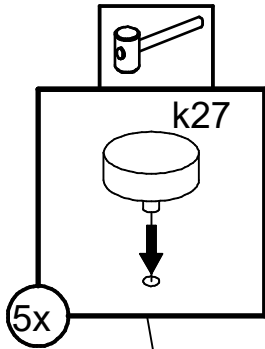
2



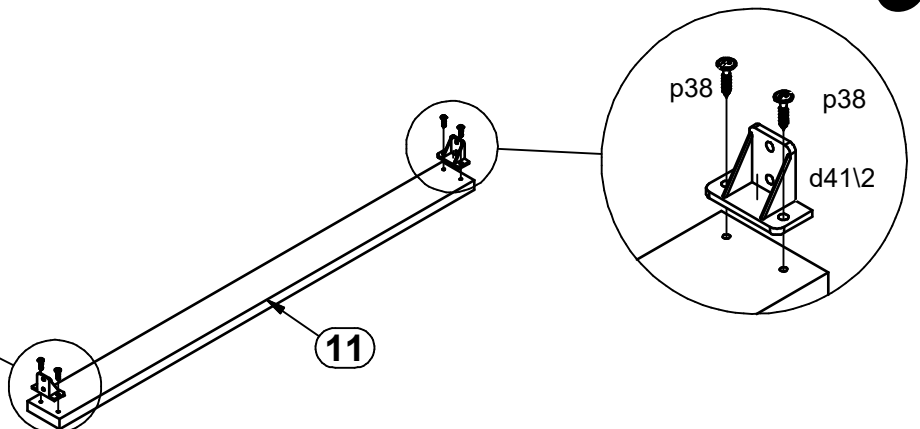
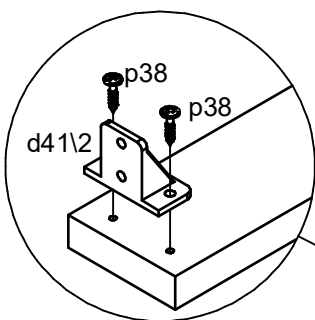
3



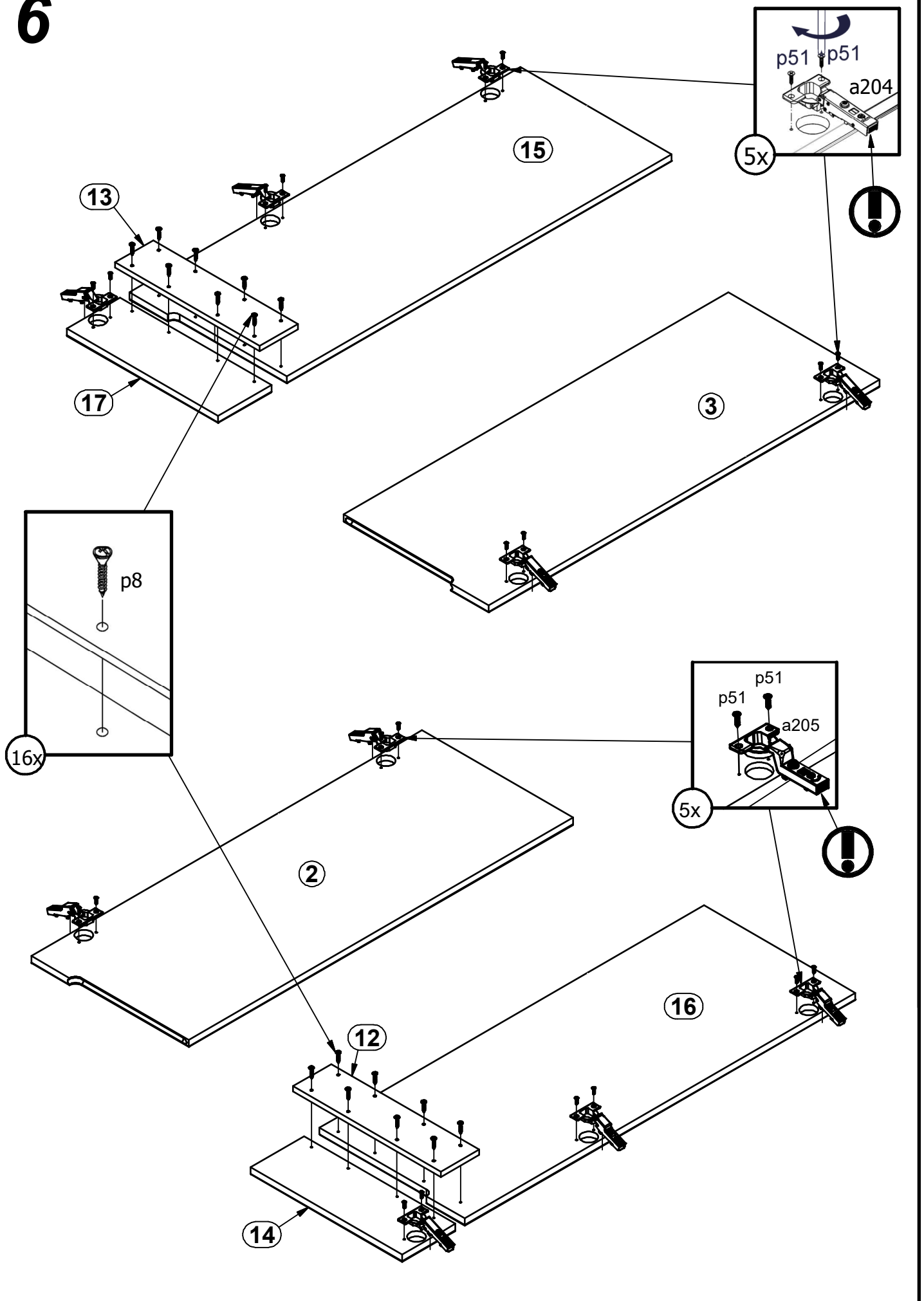
4



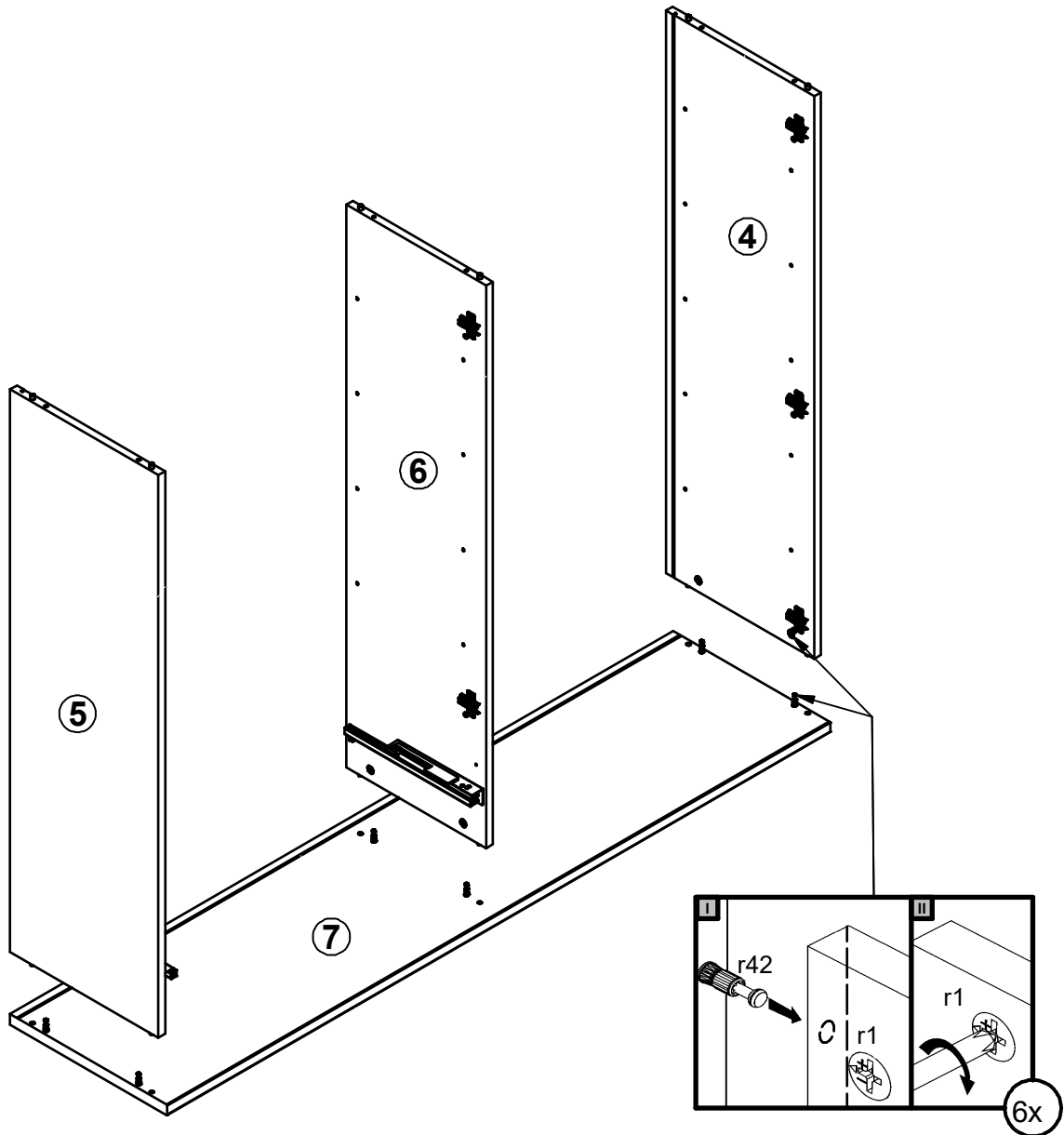
5



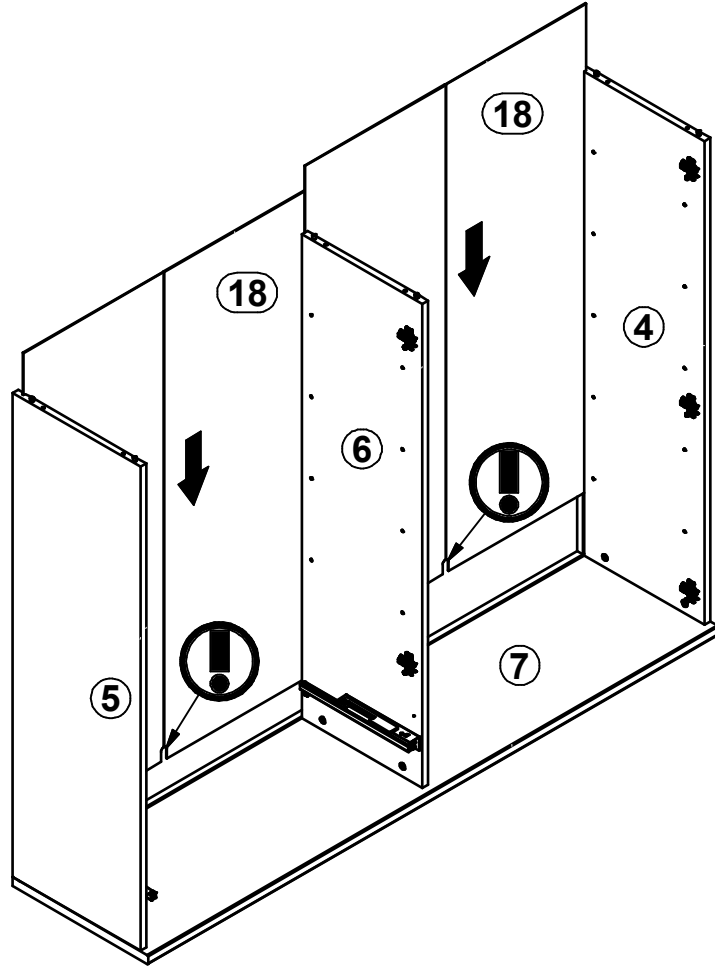
# 6



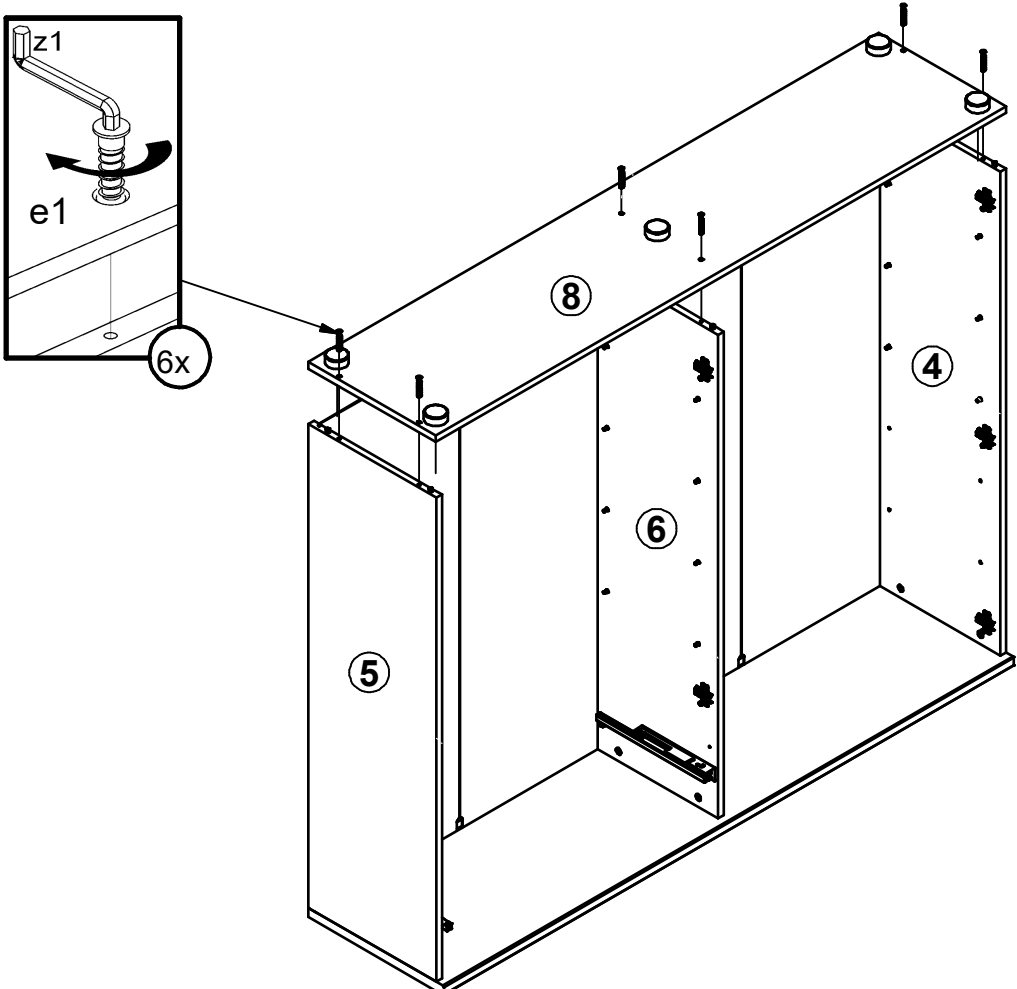
7



8



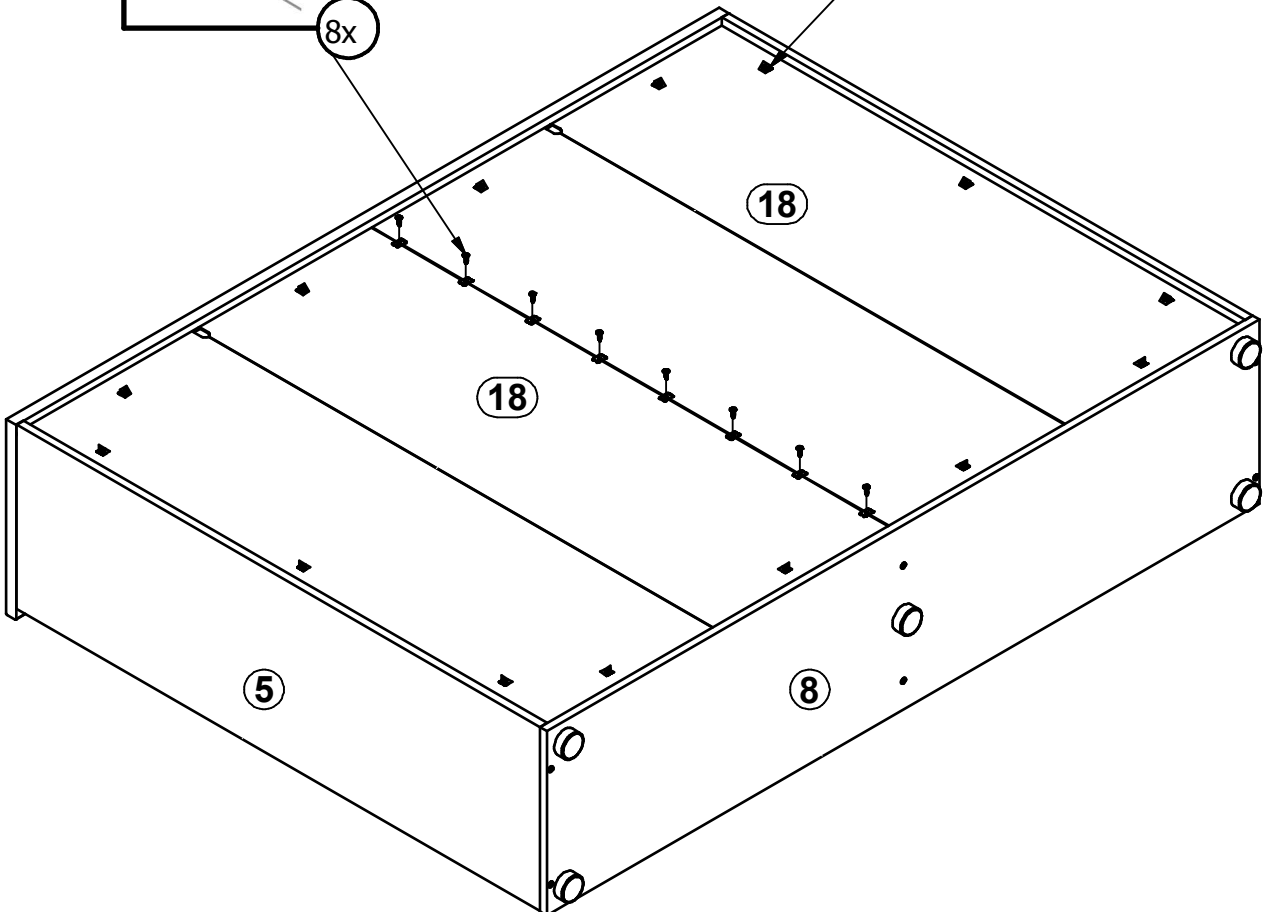
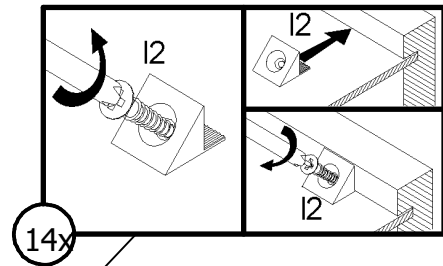
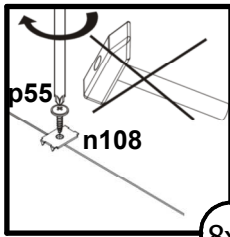
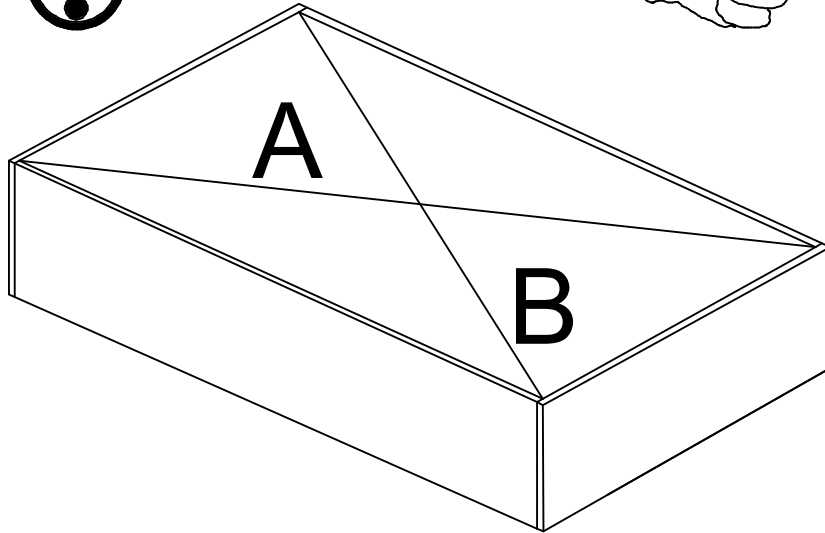
9



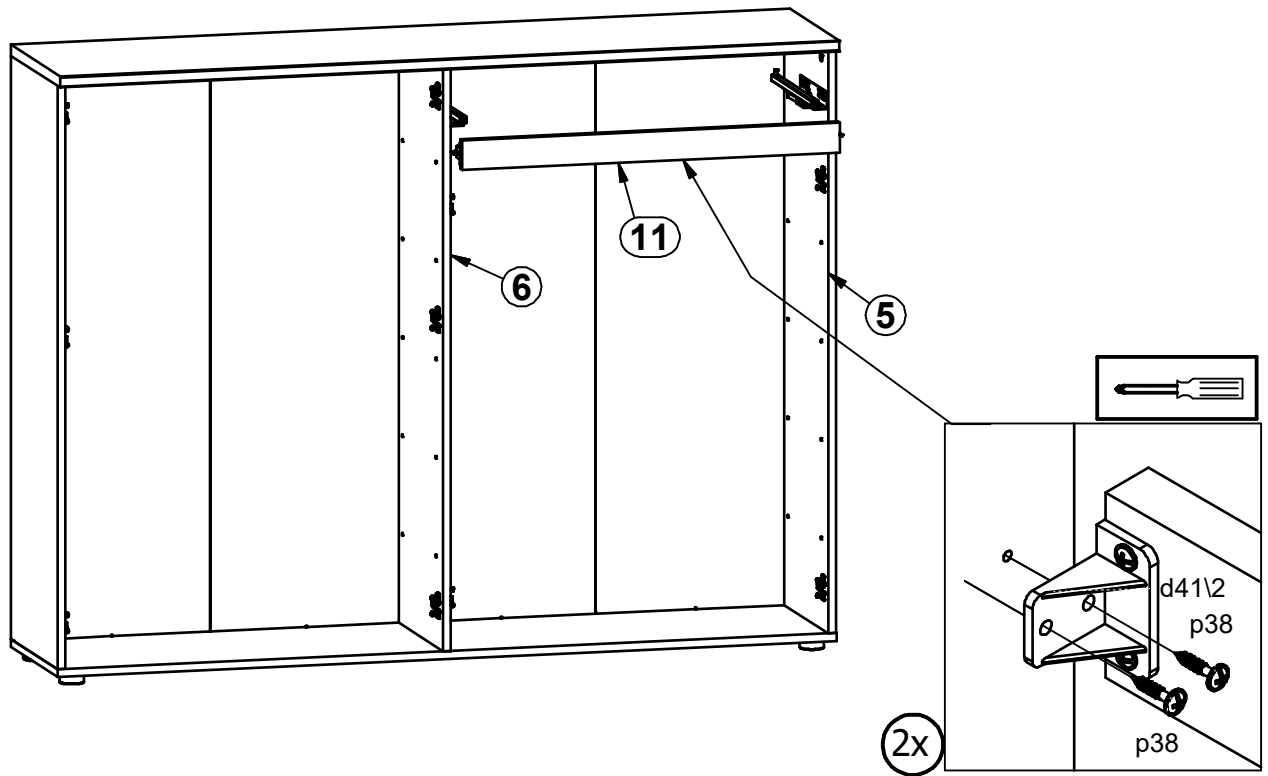


10

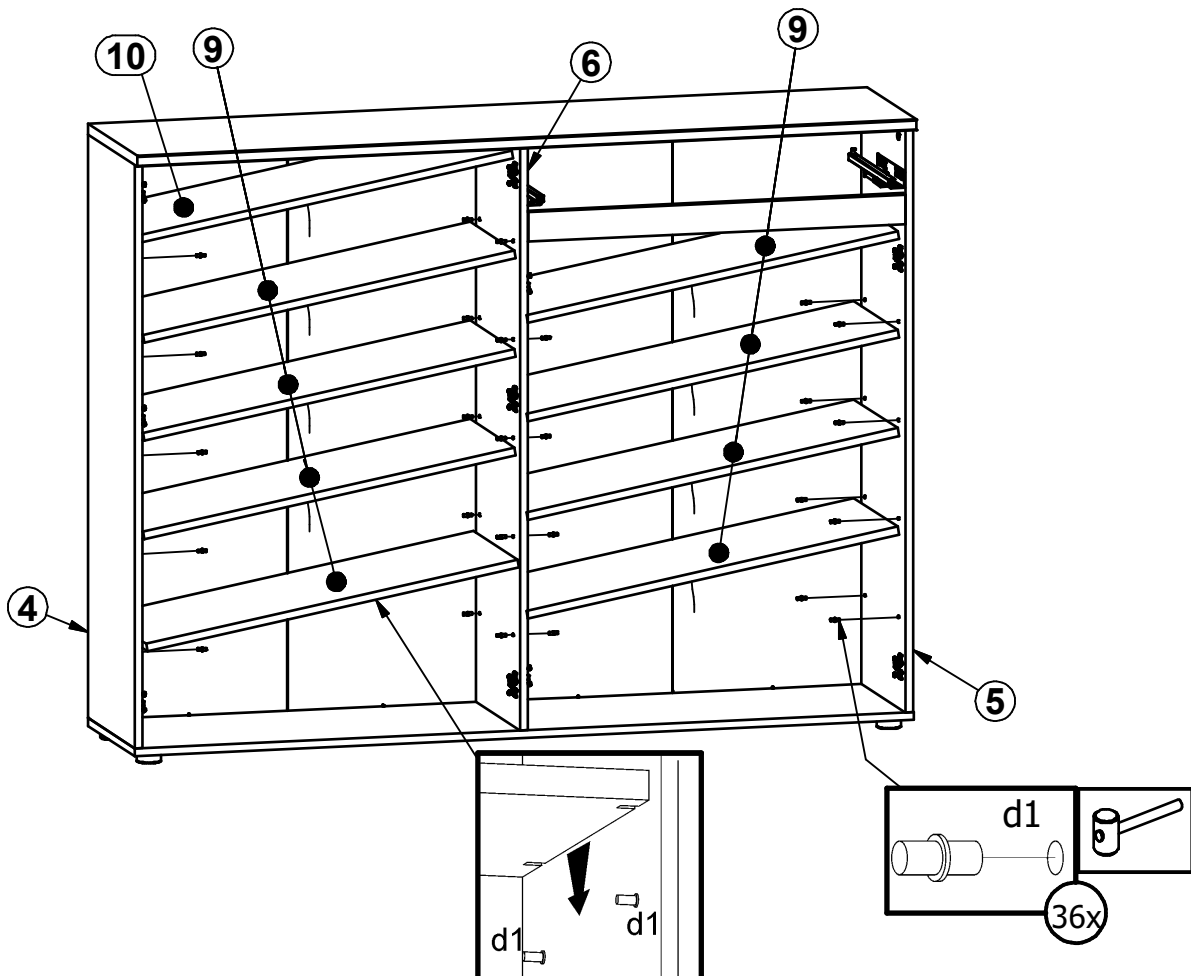
A=B



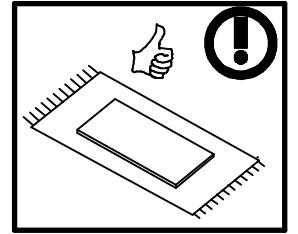
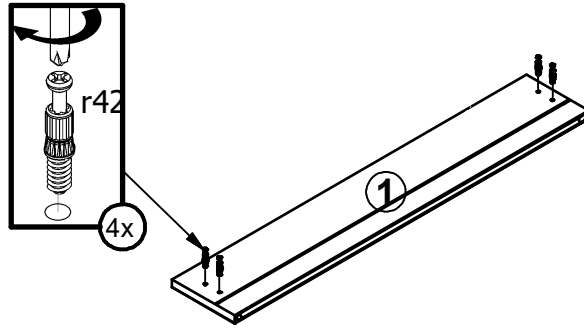
# 11



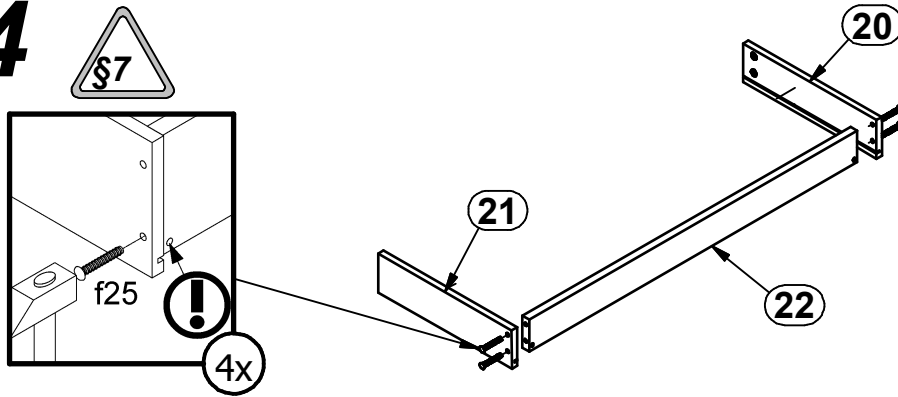
# 12



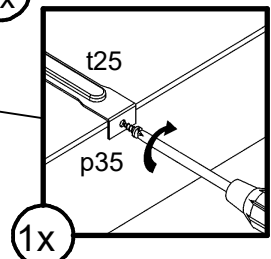
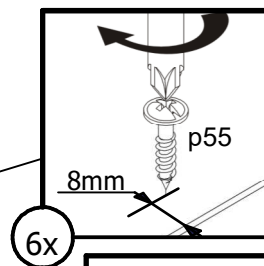
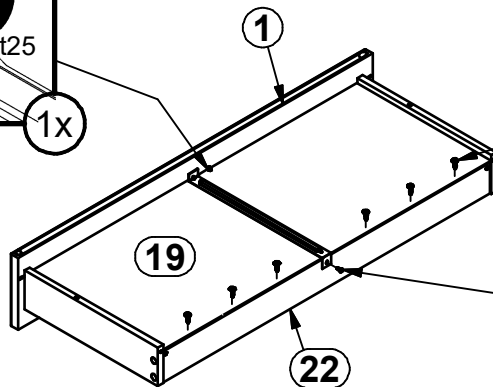
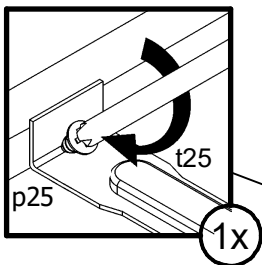
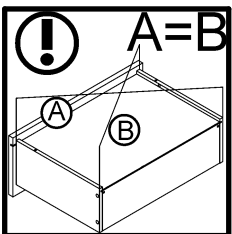
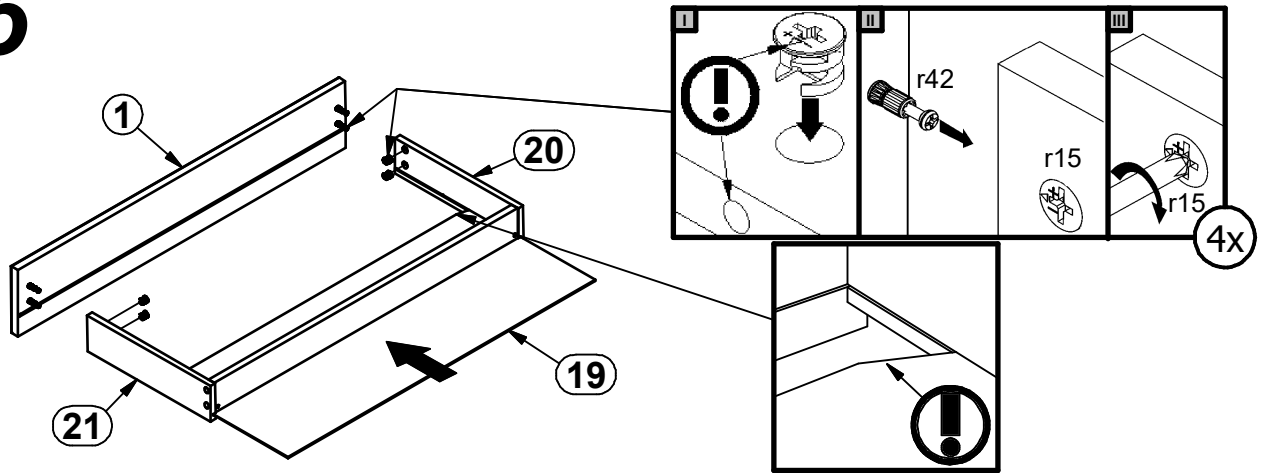
13



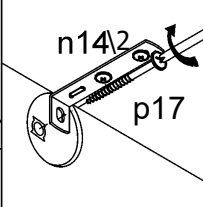
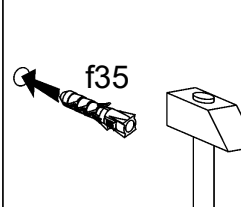
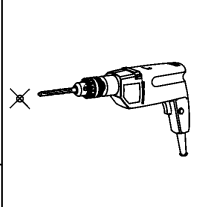
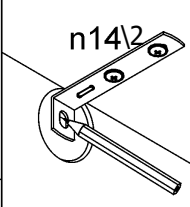
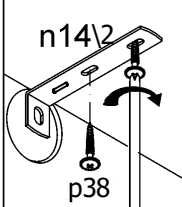
14



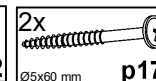
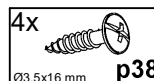
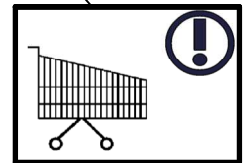
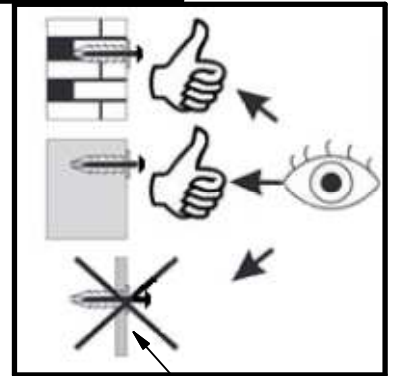
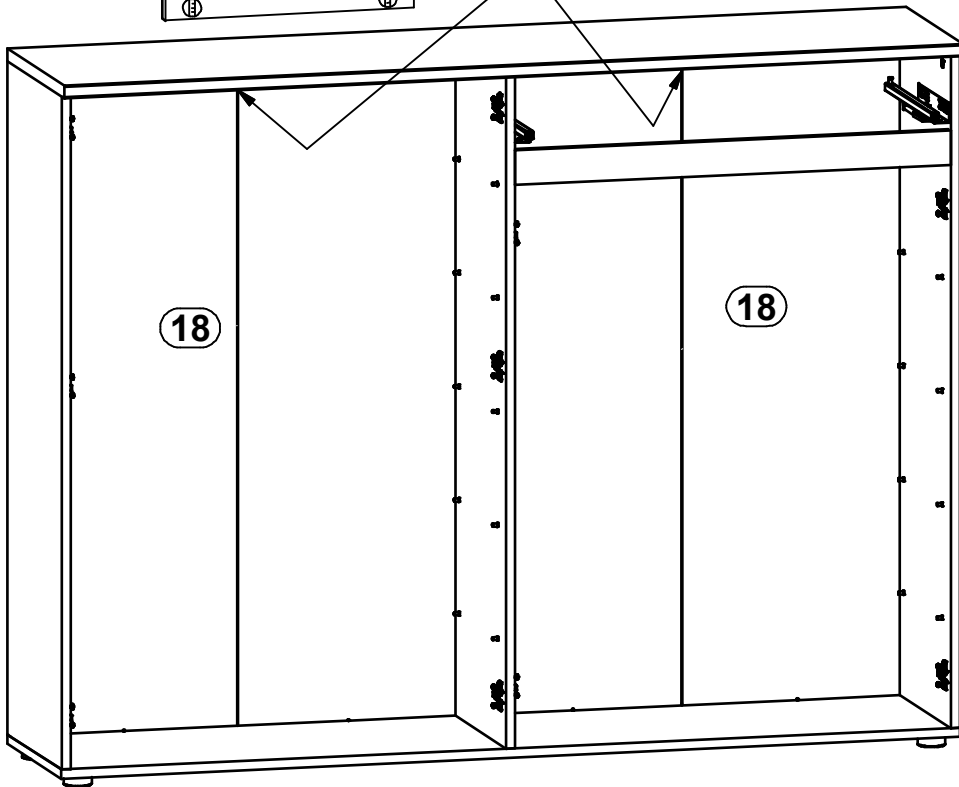
15

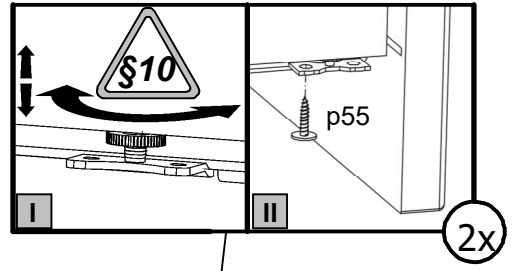
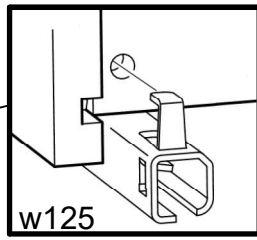
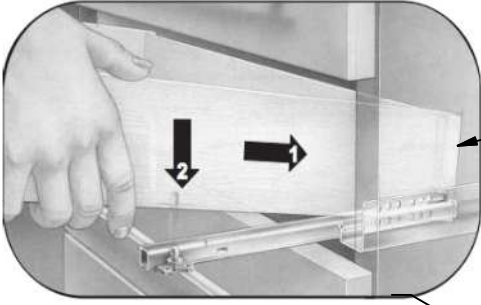


16



17





# 18

