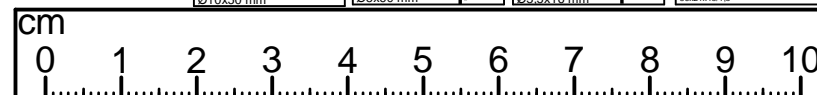
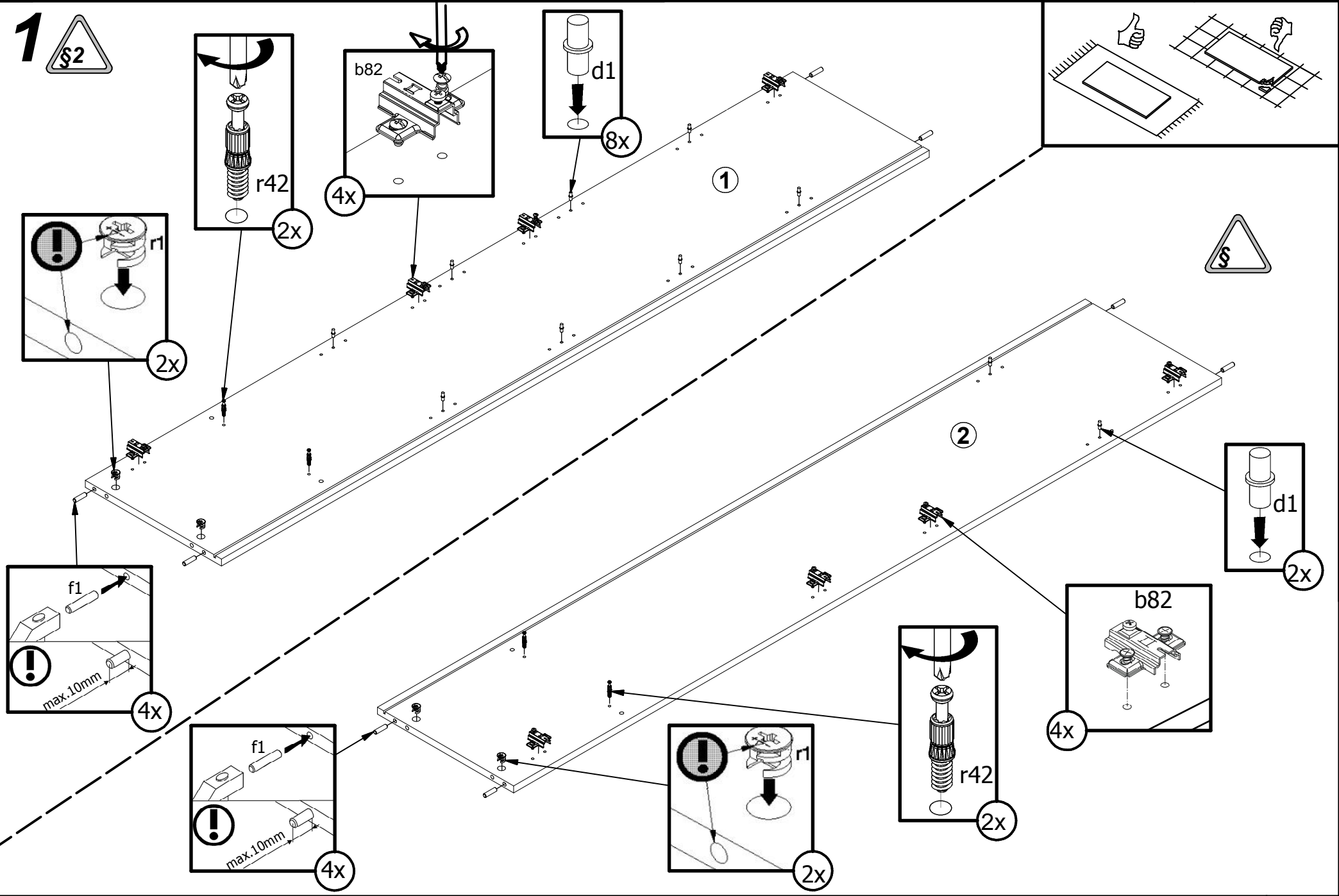
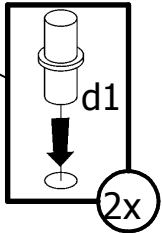
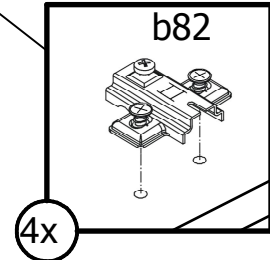
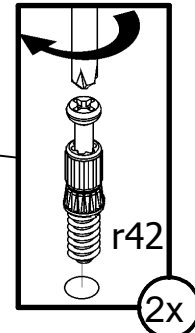
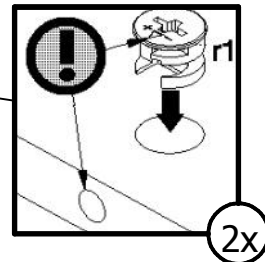
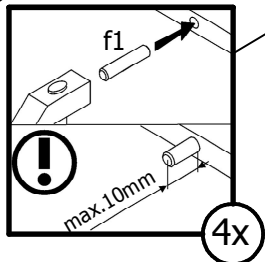
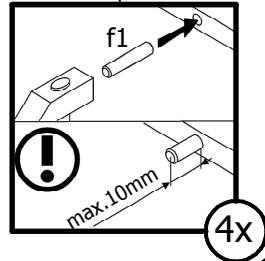
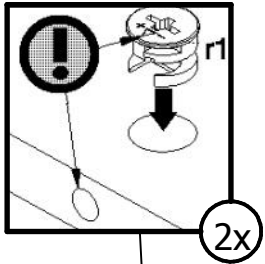
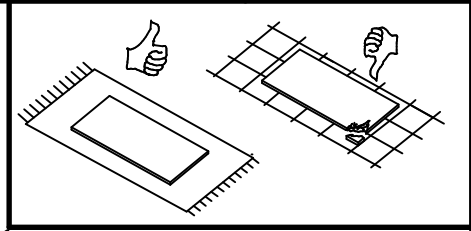
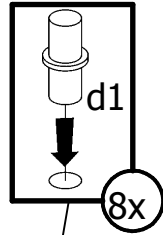
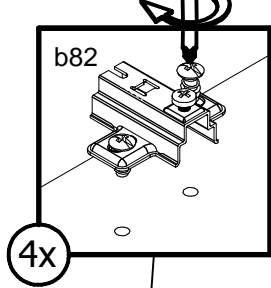
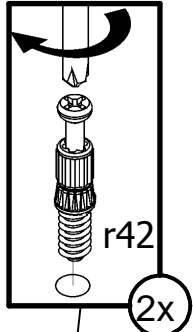
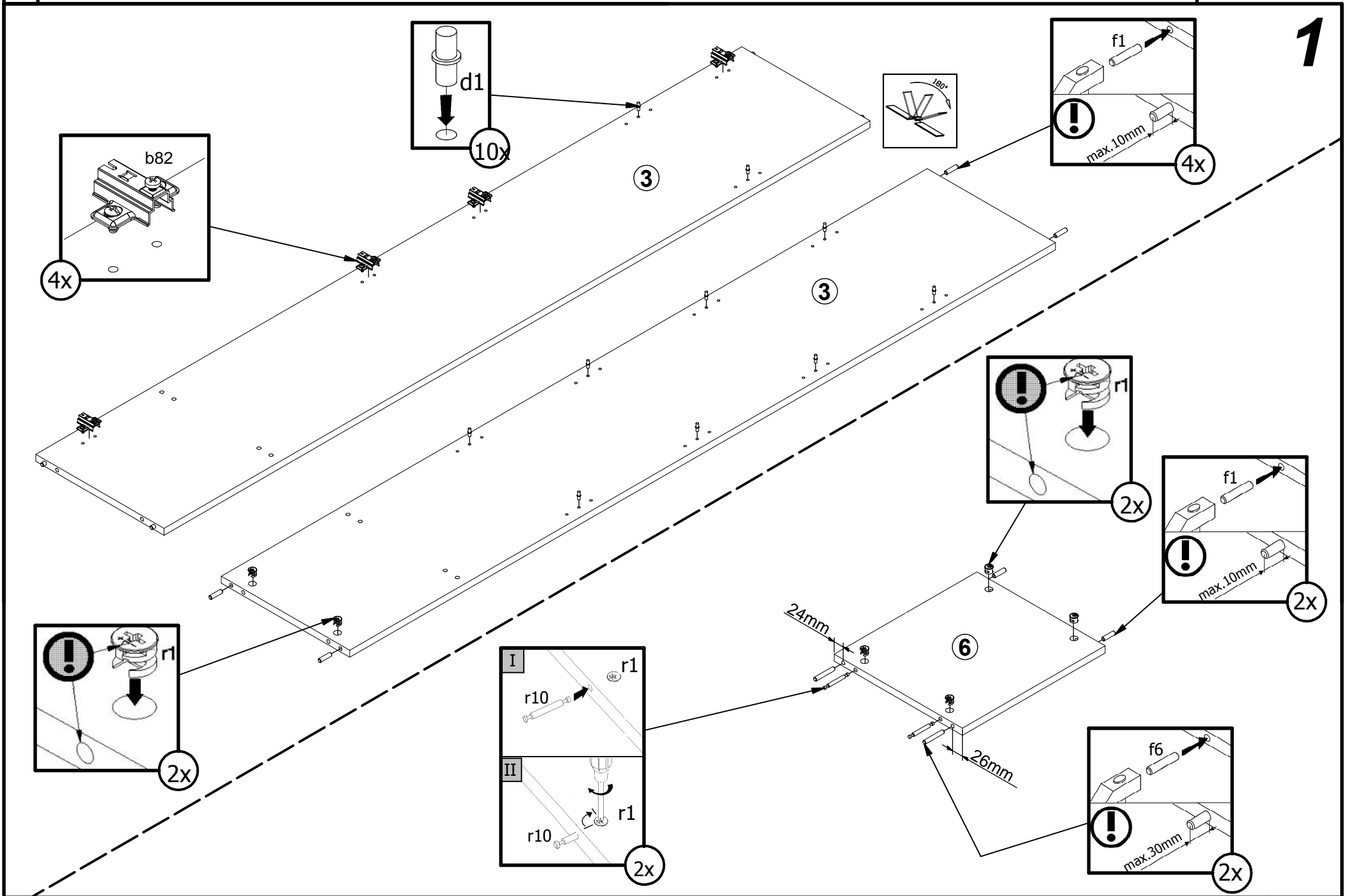


A	B	C1	C2	C3	D
1	M252-1002	1860	358	16	2/3
2	M252-1008	1860	358	16	2/3
3	M252-1009	1860	338	16	2/3
4	M252-2007	1051	380	22	1/3
5	M252-2008	1051	358	16	1/3
6	M252-3006	376	338	16	1/3
7	M252-3007	375	338	16	1/3
8	M252-3008	626	338	16	1/3
9	M252-3009	625	338	16	1/3
10	M252-7301	858	396	19	3/3
11	M252-7302	1004	396	19	3/3
12	M252-7307	858	396	19	3/3
13	M252-7308	1004	396	19	3/3
14	M252-7333	1004	246	19	1/3
15	M252-7334	842	246	19	1/3
16	M252-7354	372	100	12,	1/3
17	M252-7355	237,	100	12,	1/3
18	M252-7356	380	100	12,	1/3
19	M252-9001	1870	389,	2,5	2/3
20	M252-9304	1870	639	2,5	2/3

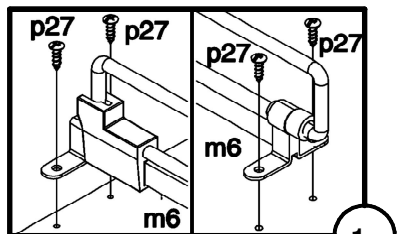
6x a133	8x a158	4x a159	12x b82
20x ø5x17 mm d1	6x ø7x50 mm e1	18x ø7x24 mm e45	16x ø8x30 mm f1
2x ø8x50 mm f6	5x k53	6x ø3,5x16 mm p38	14x l2
1x L=300 mm m6	12x 20x13x3,5 n108	4x ø3,5x13 mm p27	5x ø4x25 mm p36
24x ø3,5x15 mm p51	12x ø2,9x16 mm p55	14x ø15x12 mm #16 r1	2x r10
10x r42	14x ø16 s2	1x z1	
2x ø10x50 mm f35	2x ø5x60 mm p17	4x ø3,5x16 mm p38	2x 86x21x15/1,5 n14/2



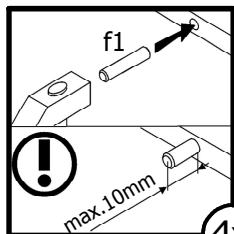




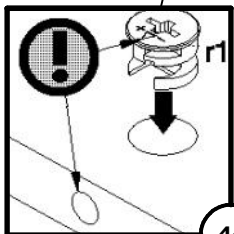
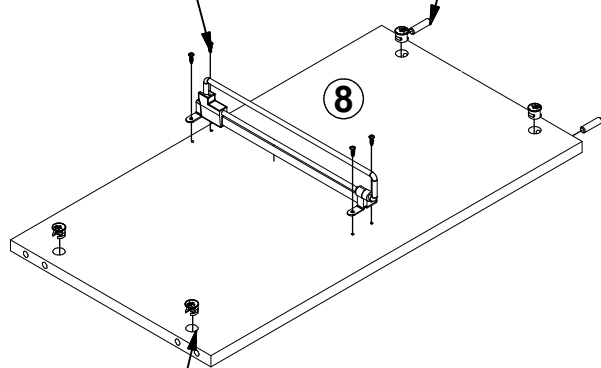
1



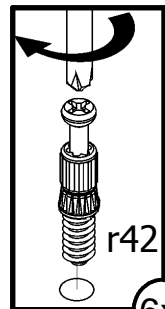
1x



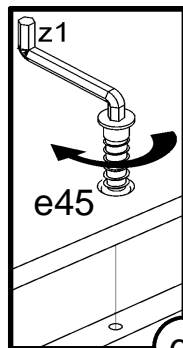
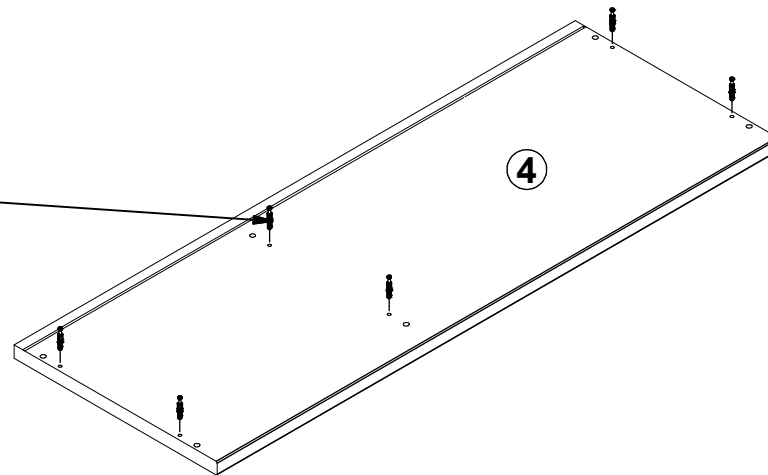
4x



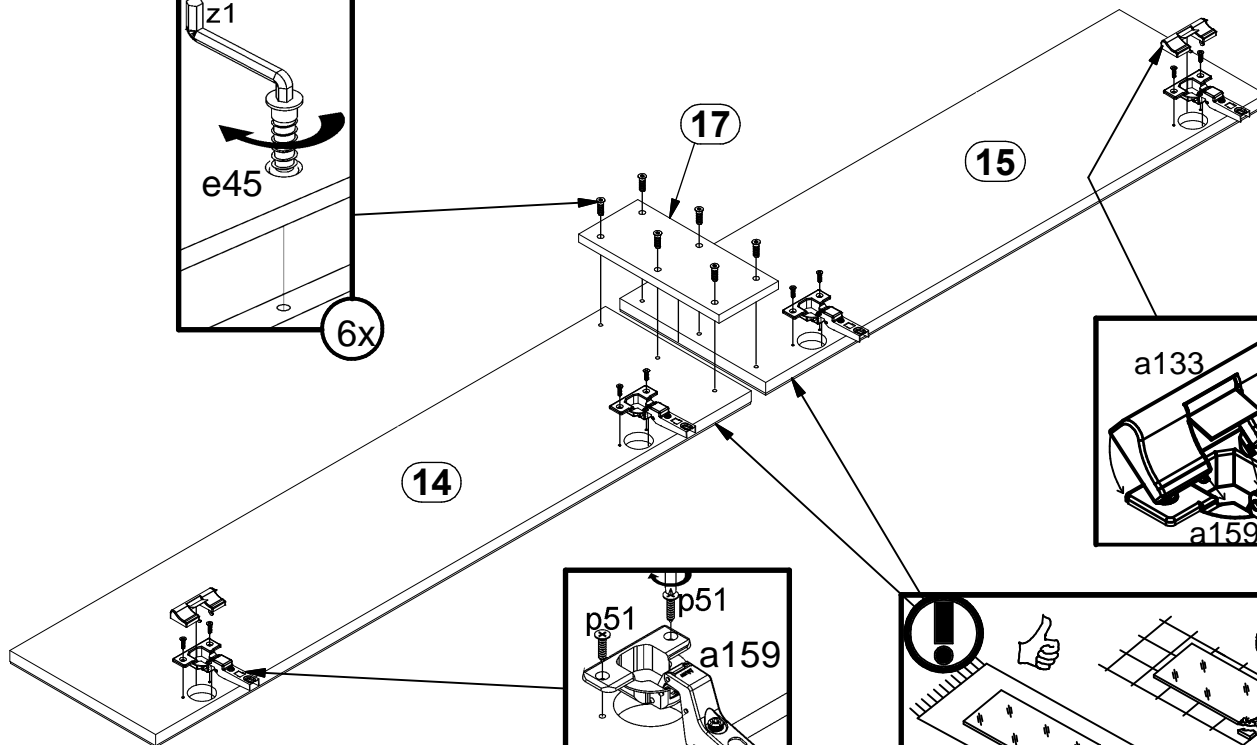
4x



6x



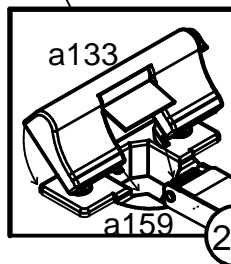
6x



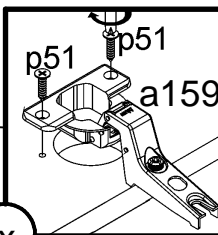
14

17

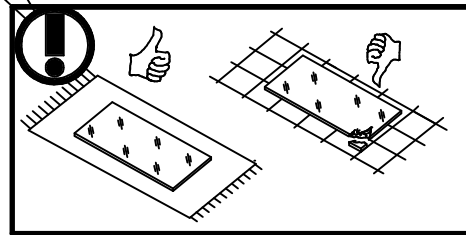
15



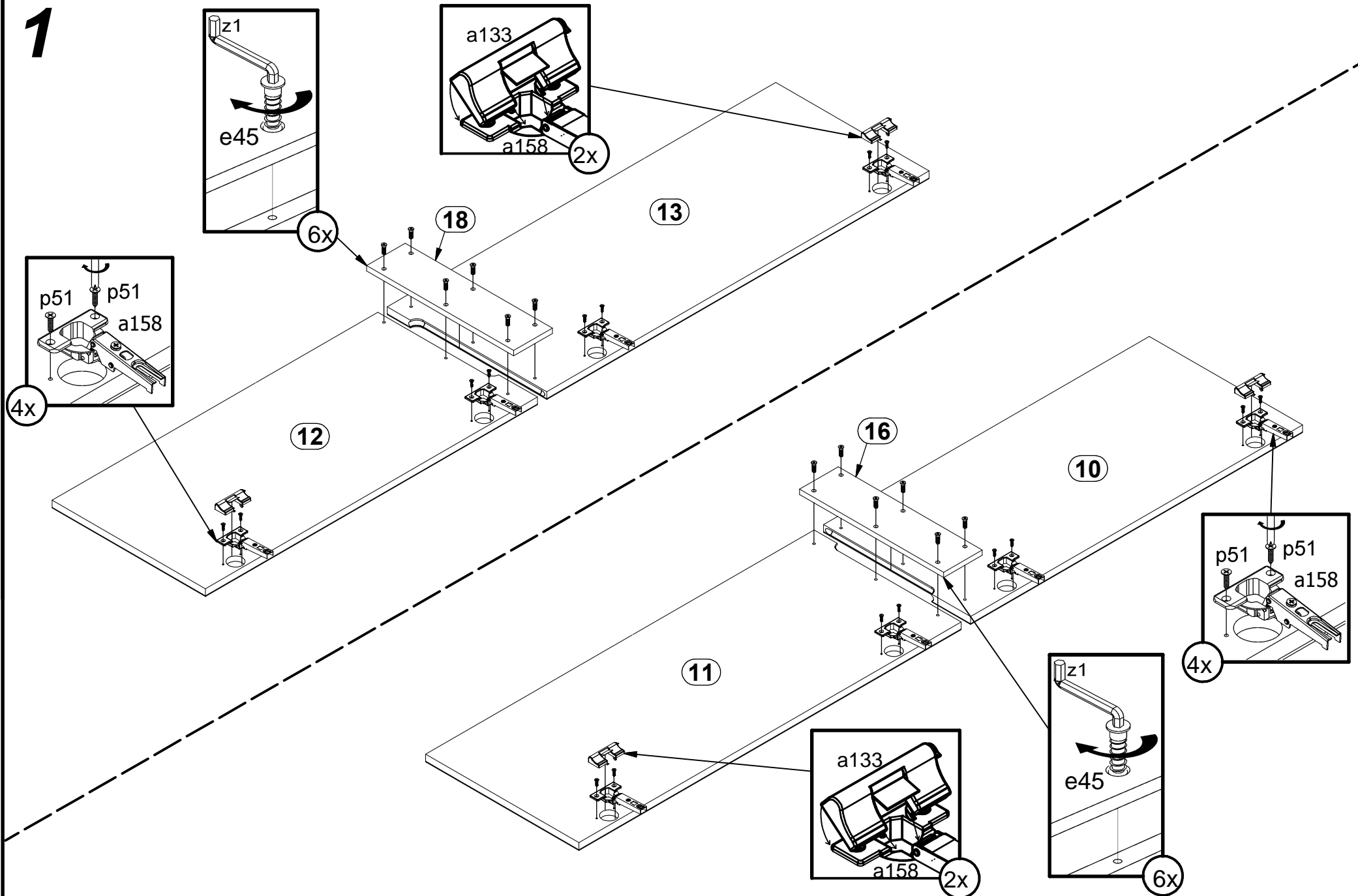
2x



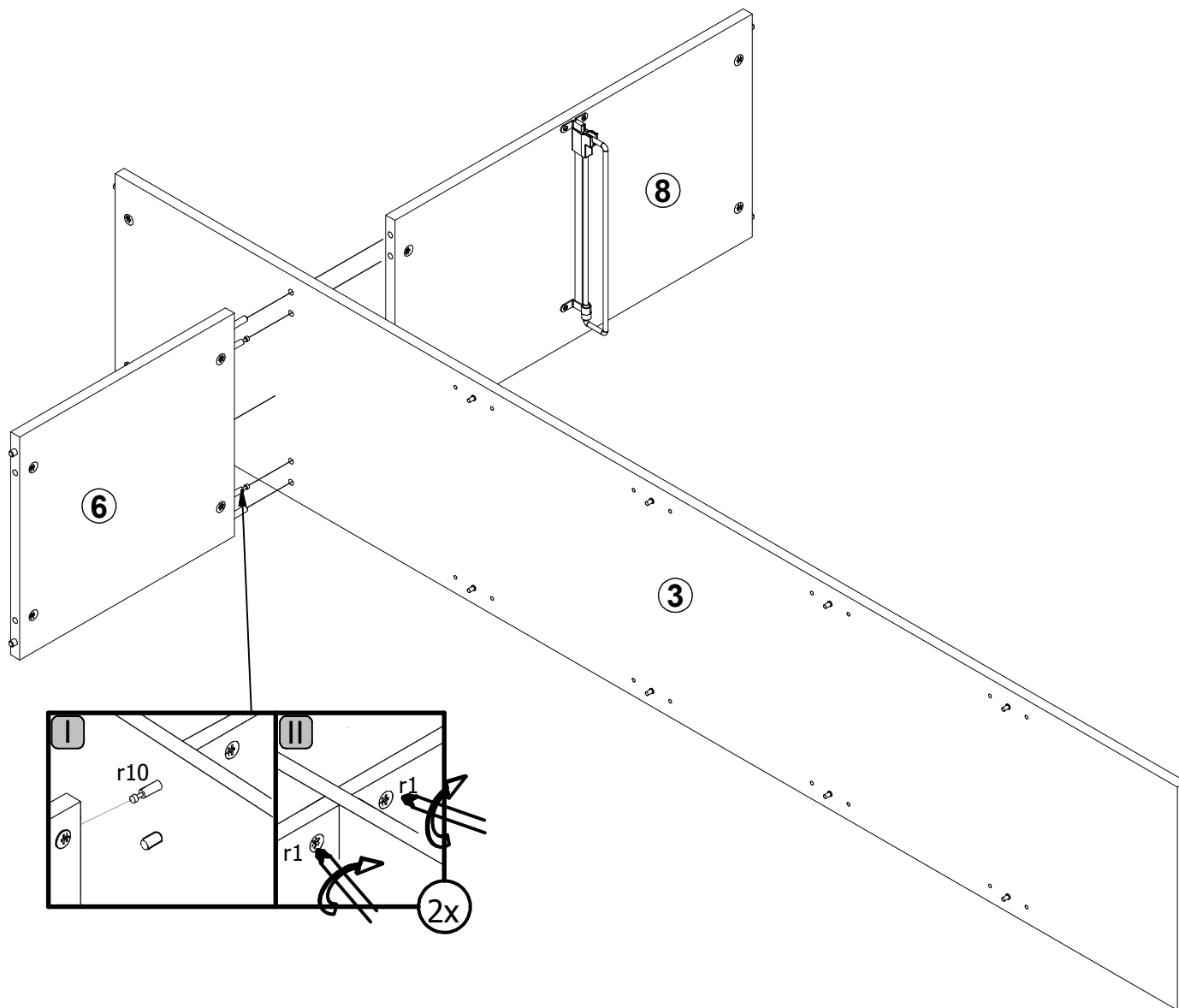
4x



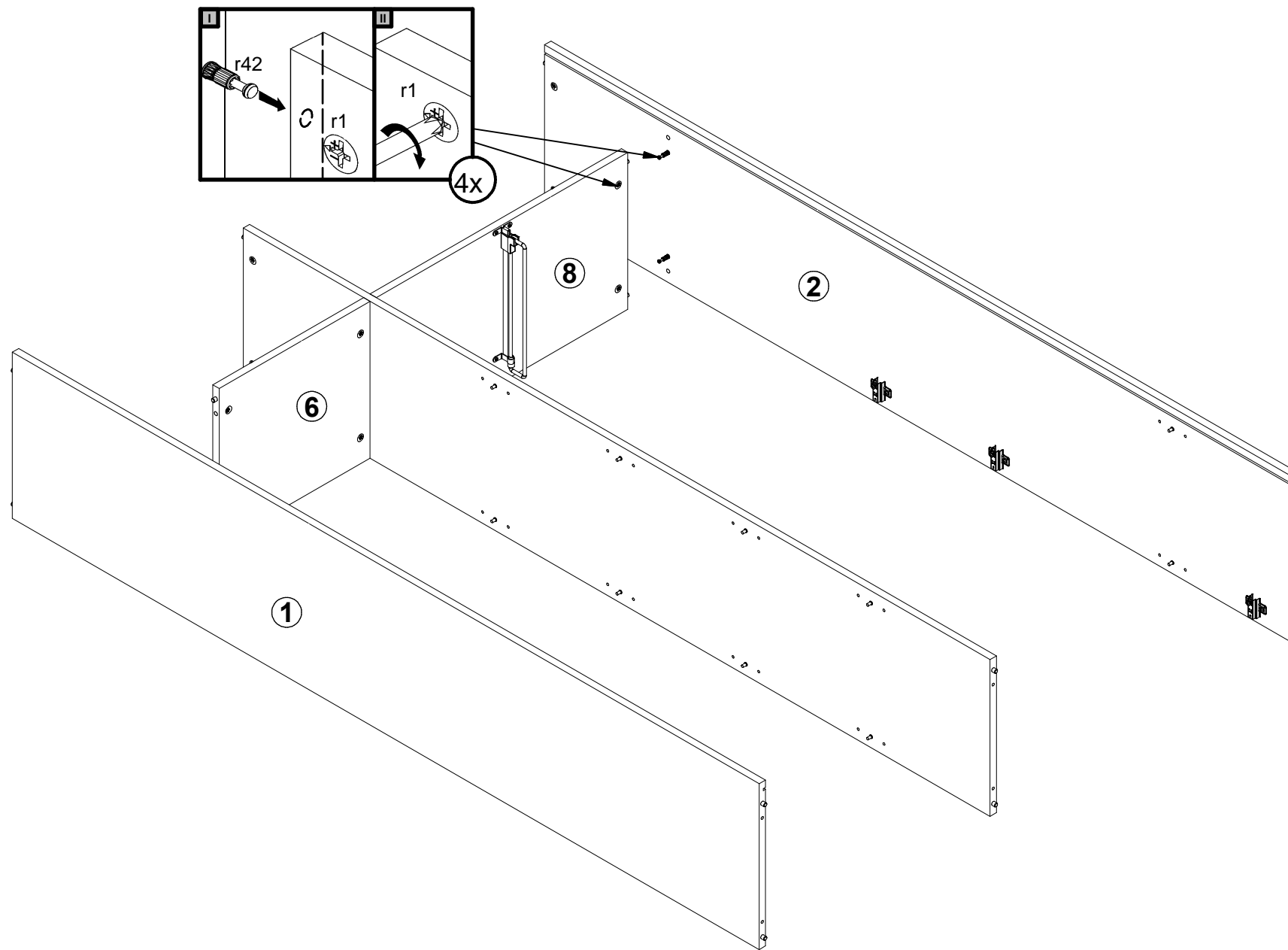
1



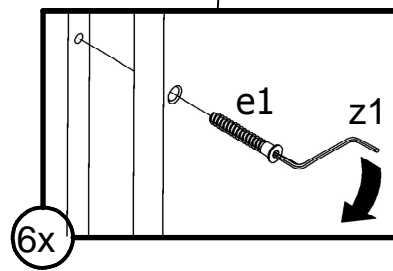
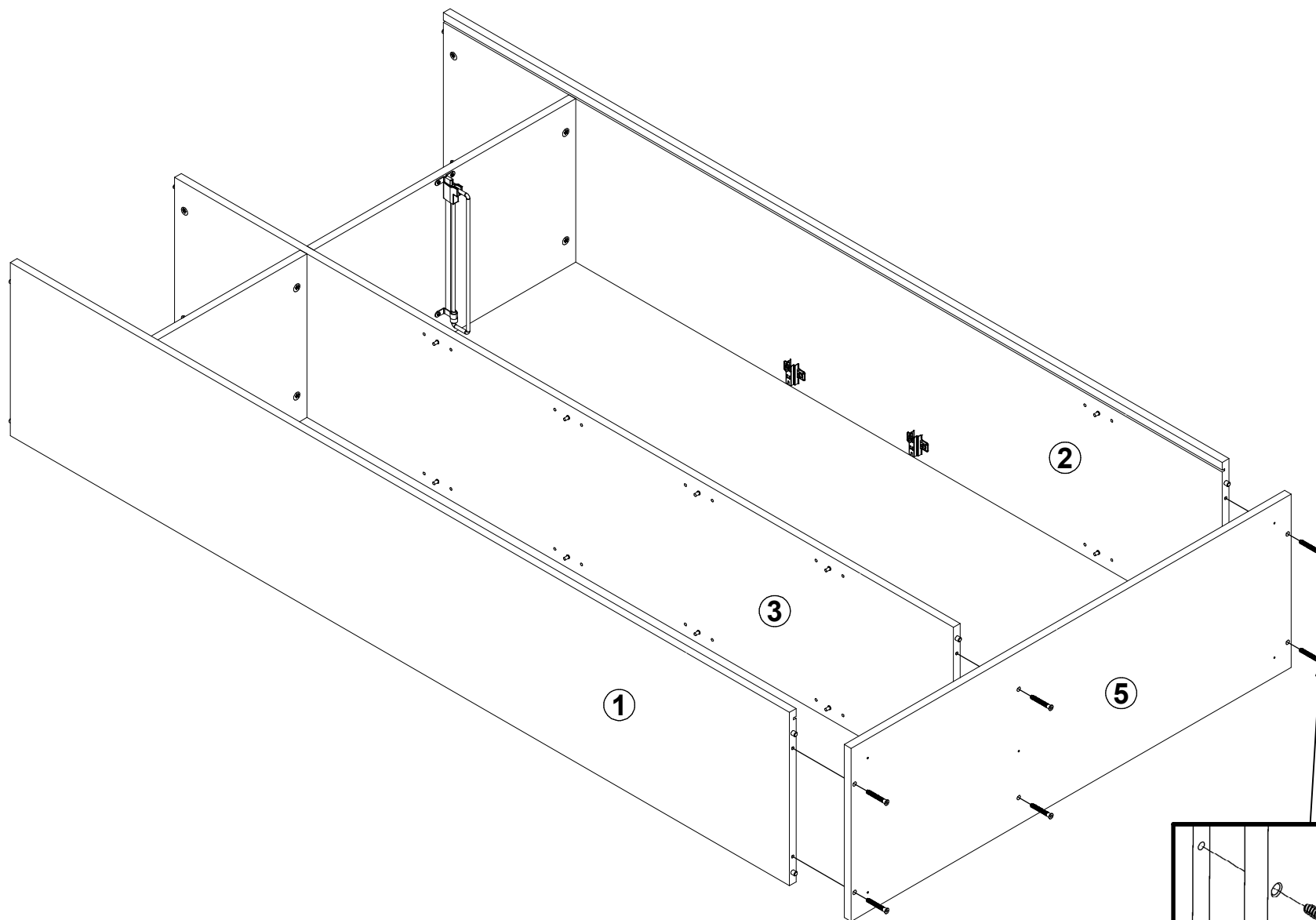
2

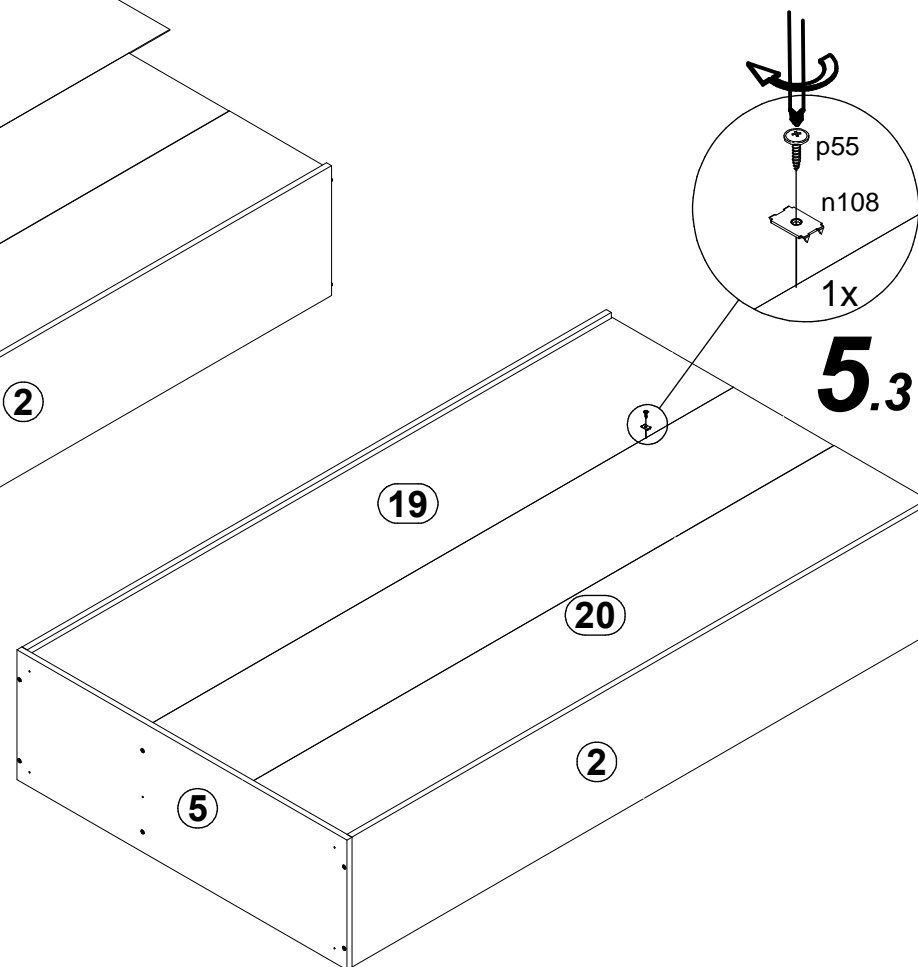
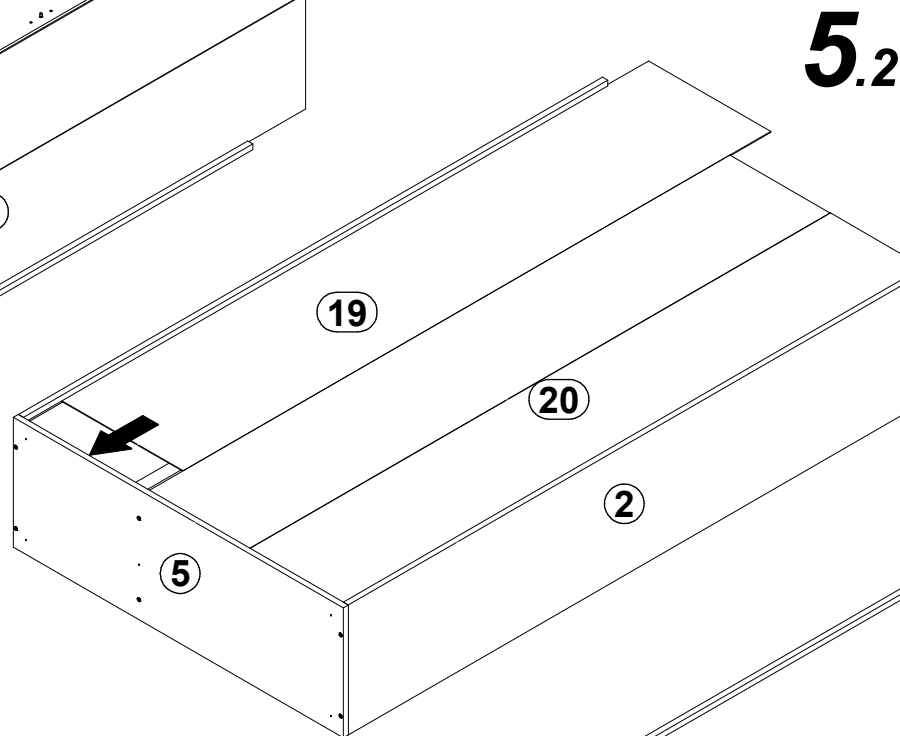
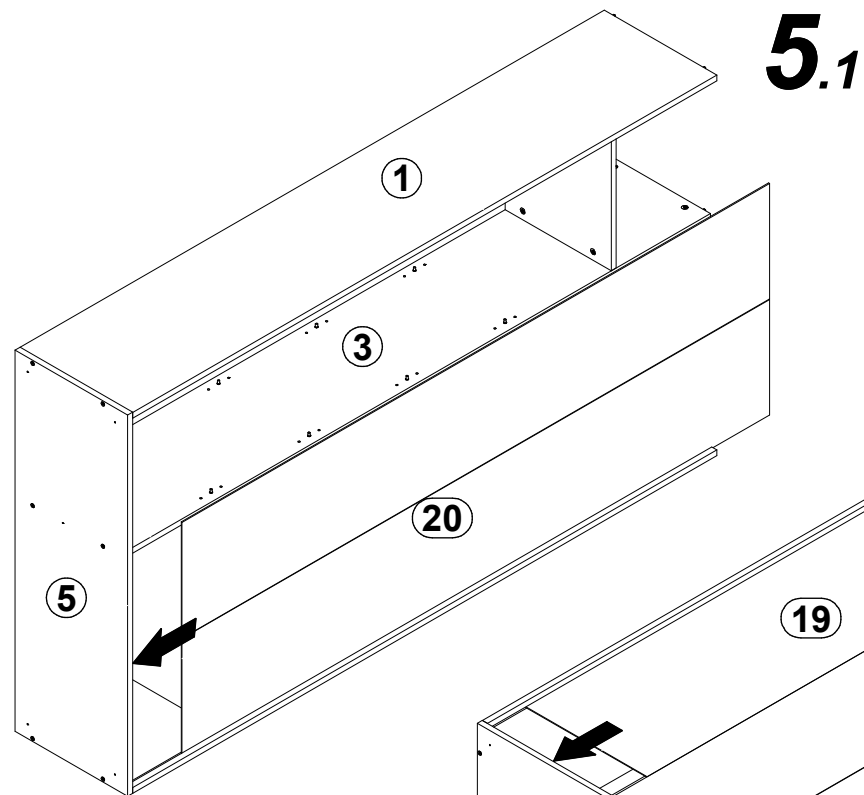


3

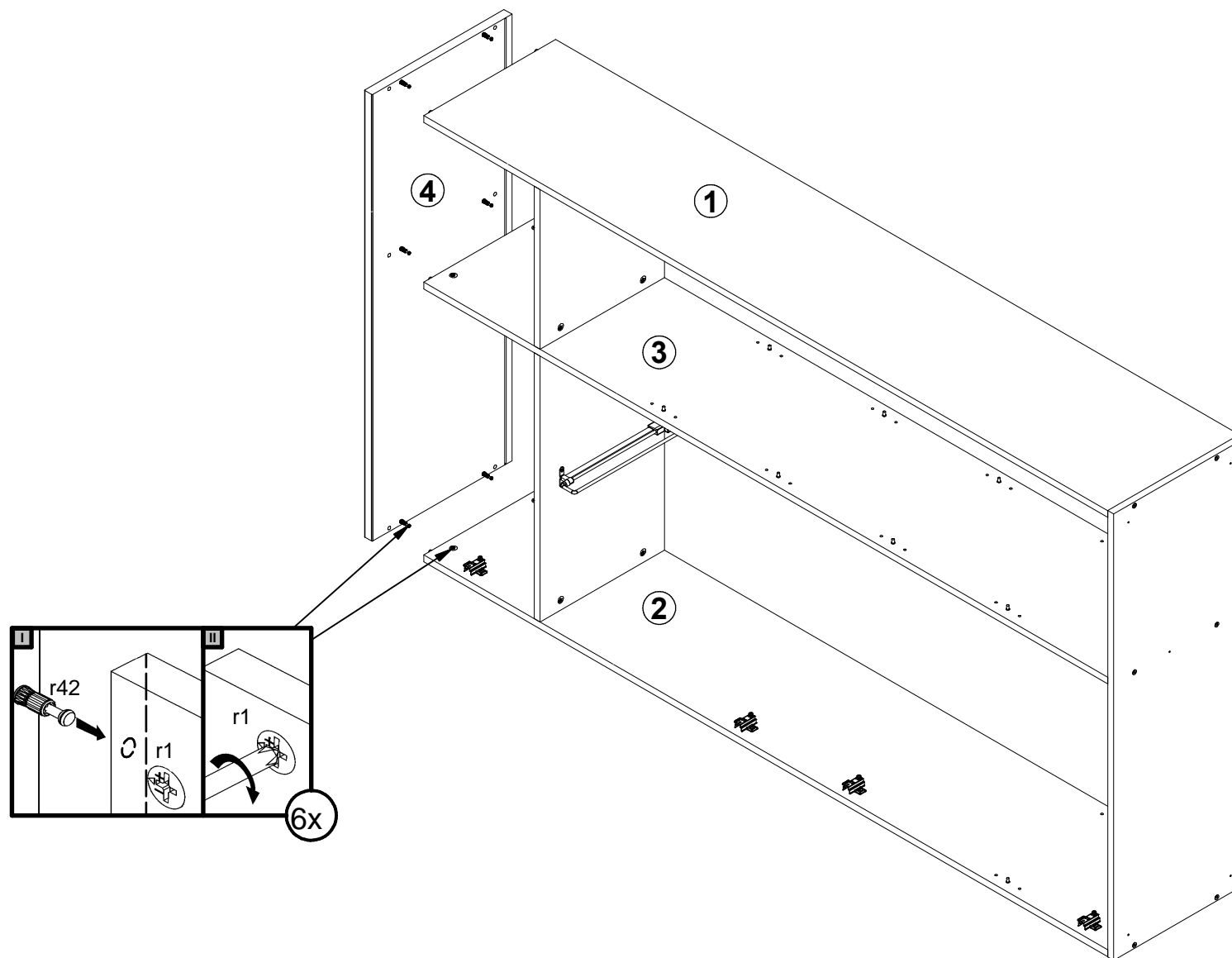


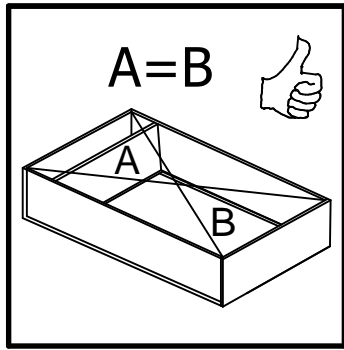
4



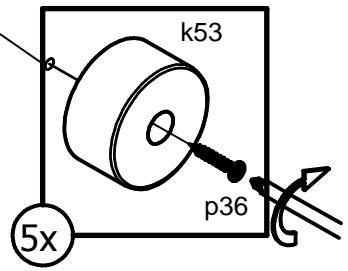
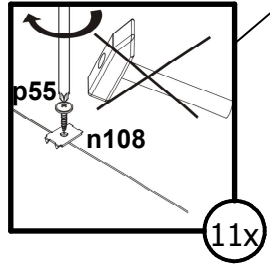
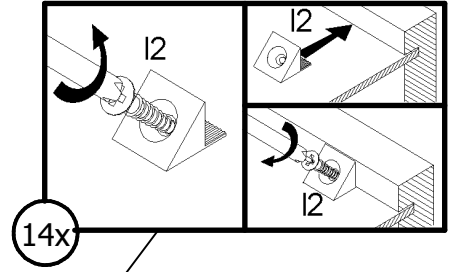
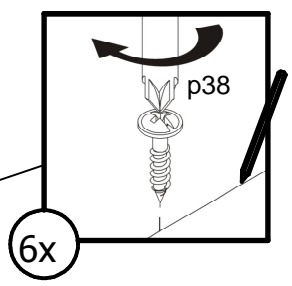
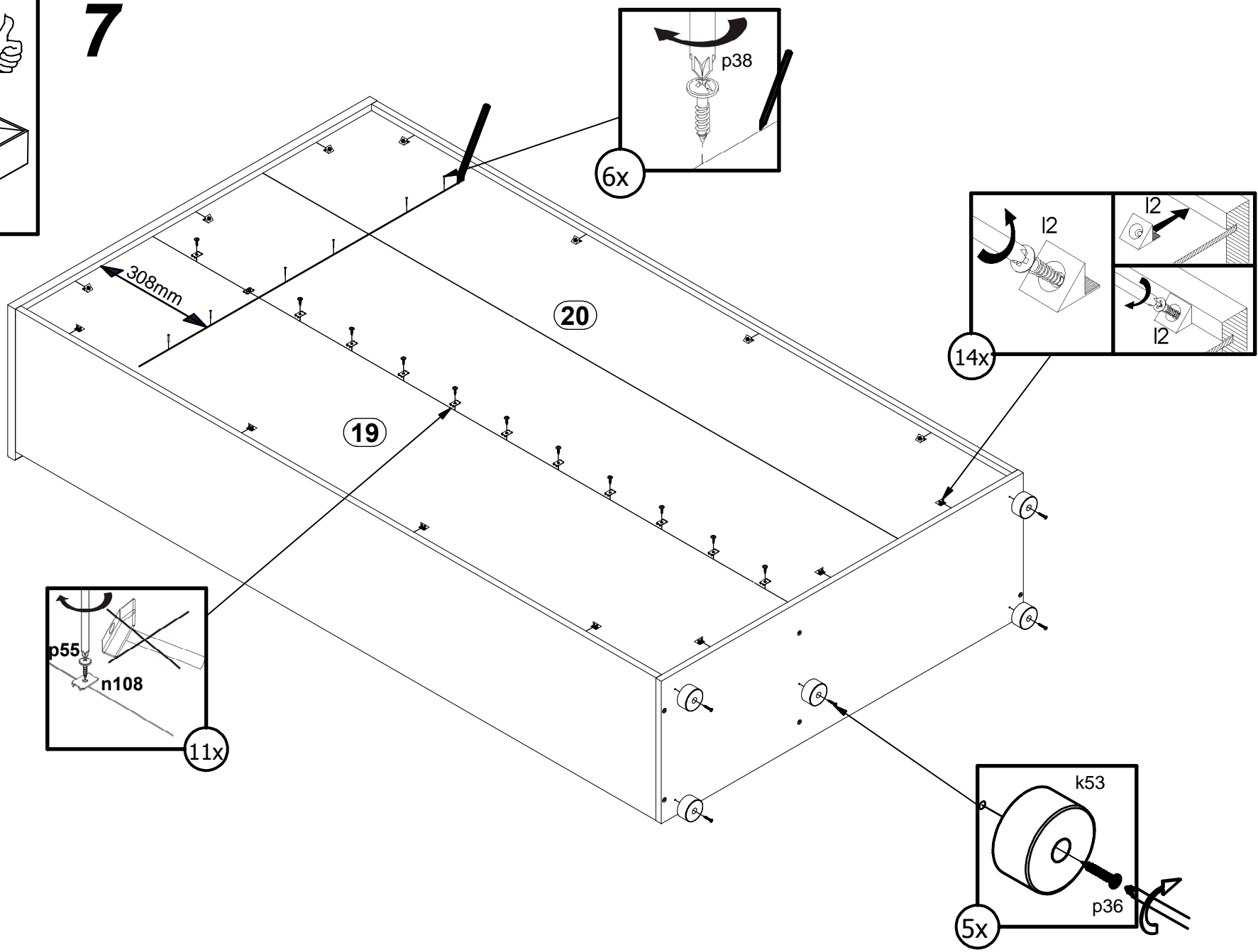


6

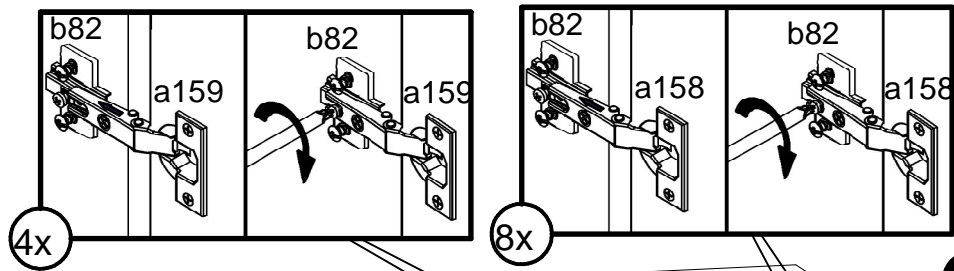
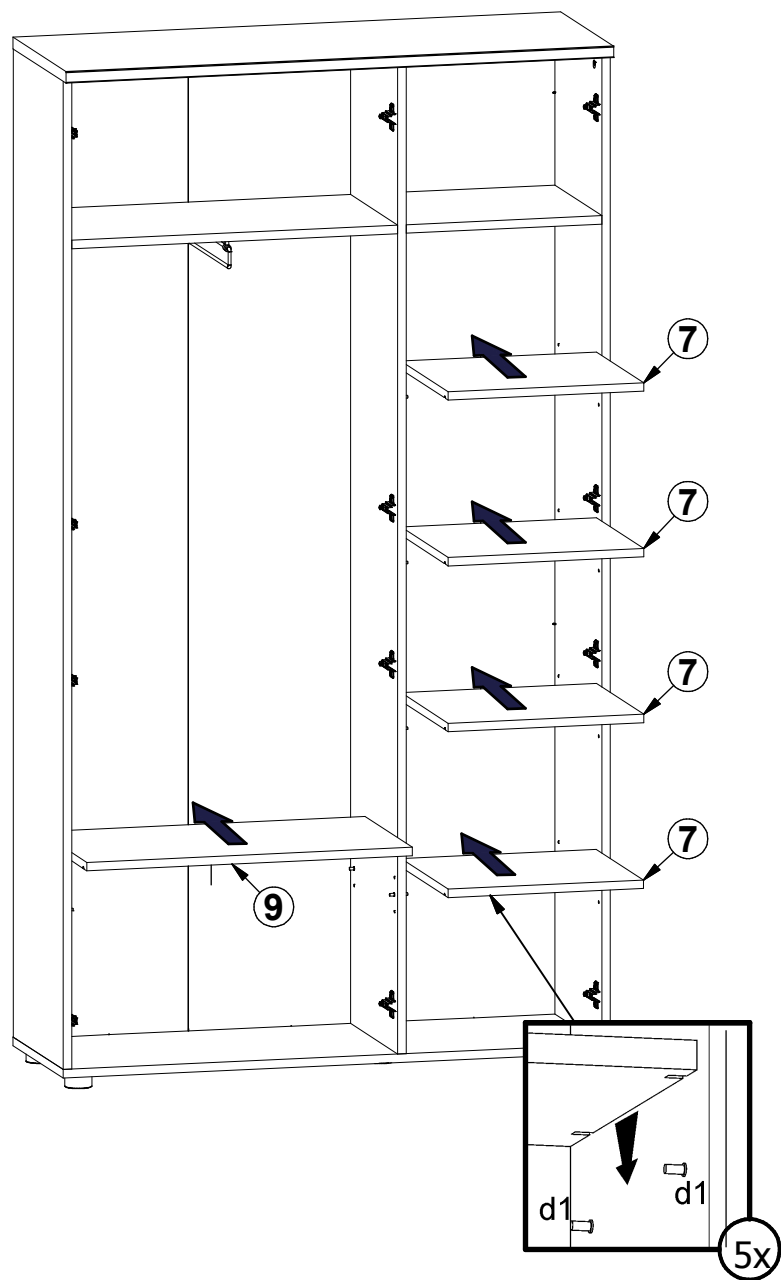




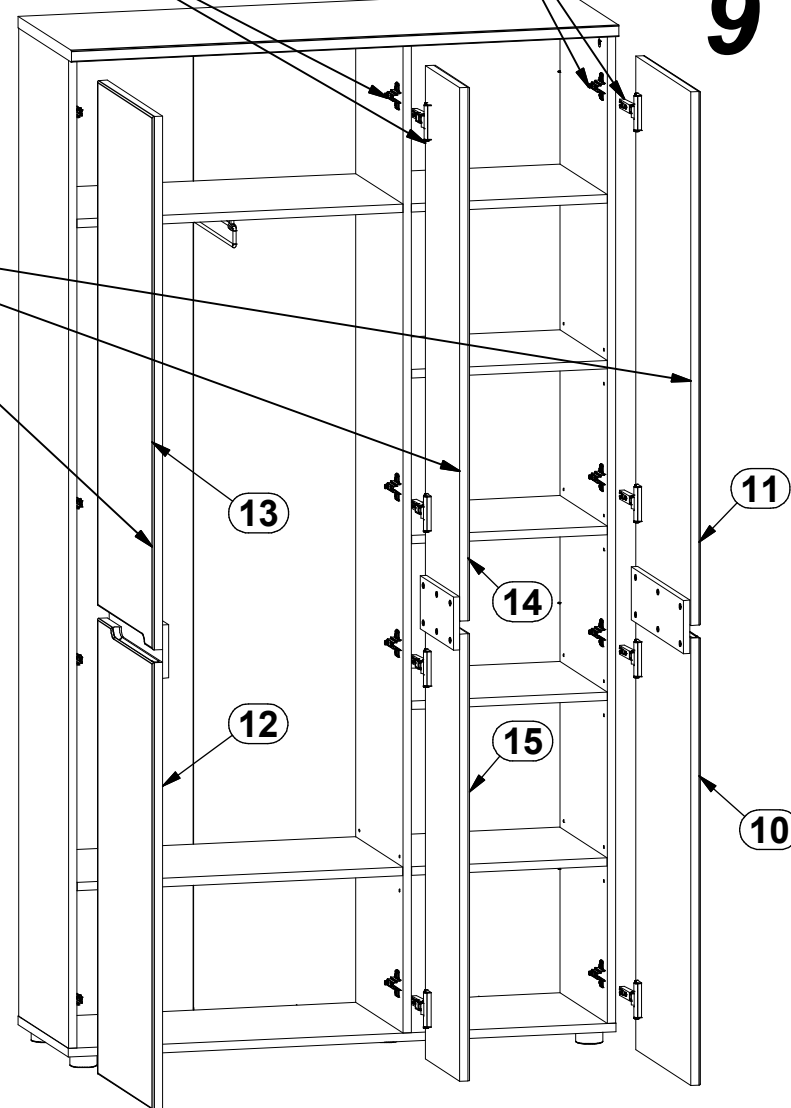
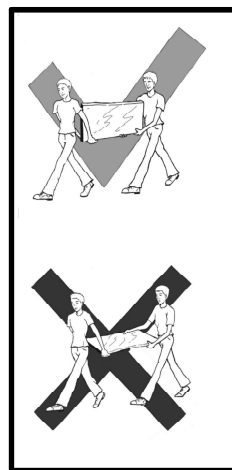
7

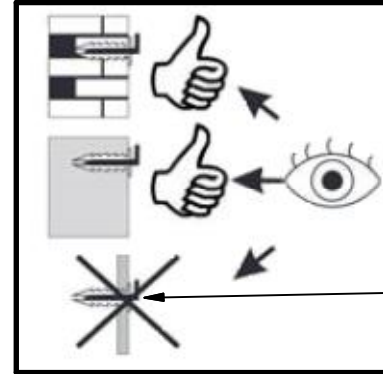
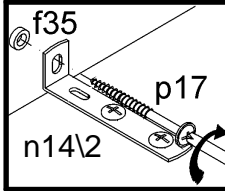
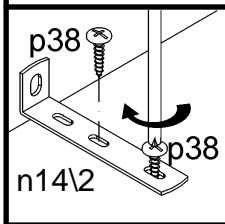
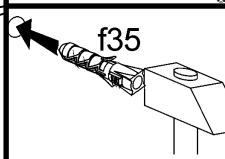
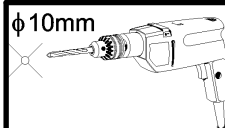
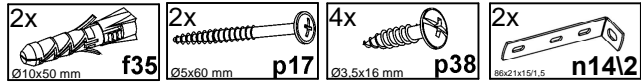
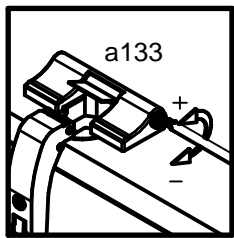


8



9





10

