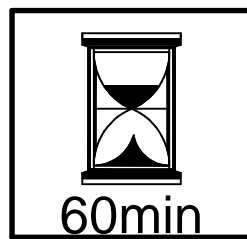
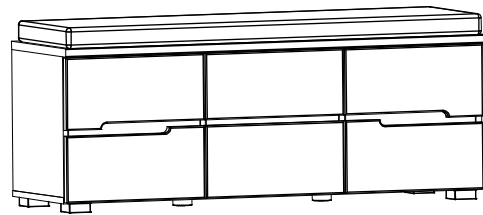
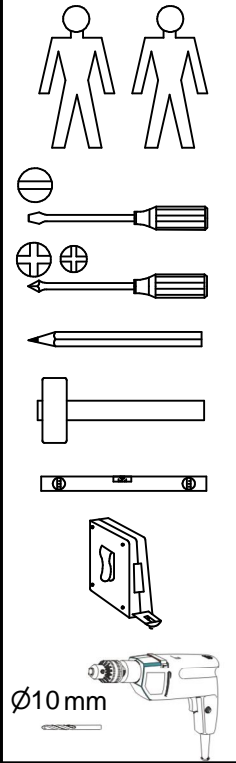


A

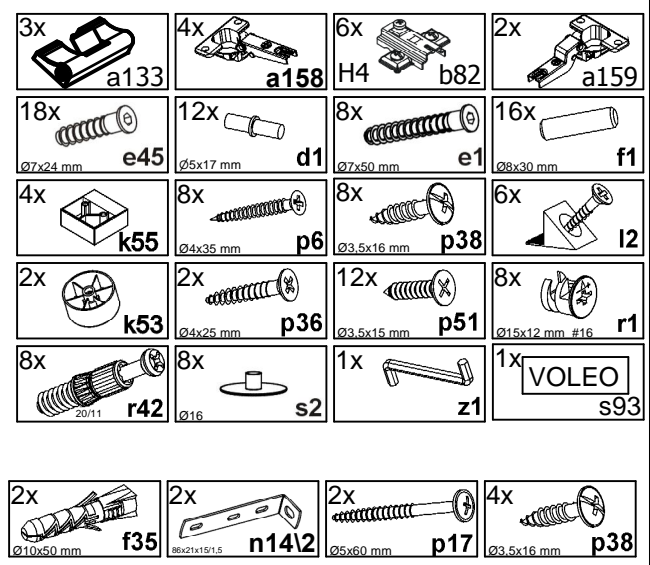
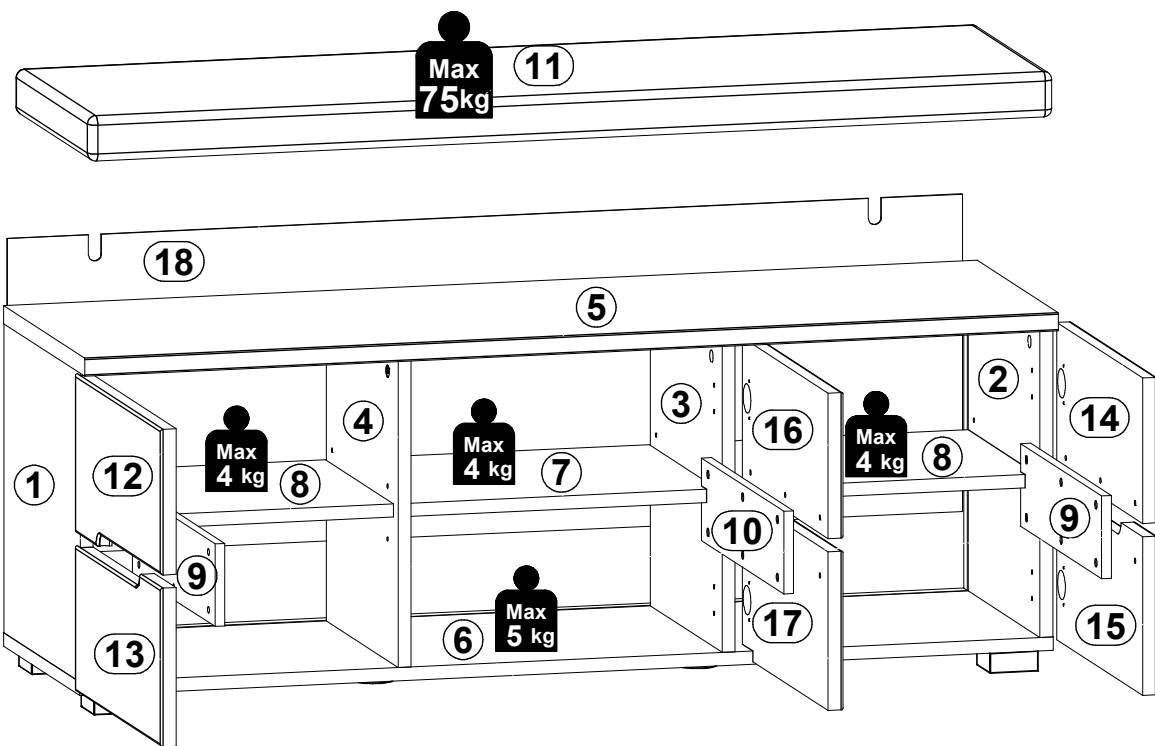
M231-SFK3D/5/12

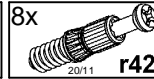
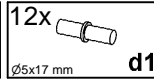
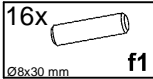
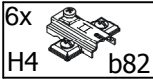
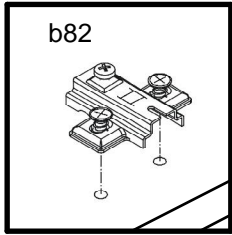
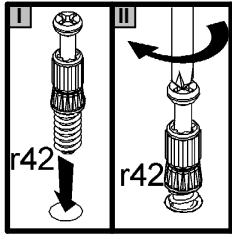
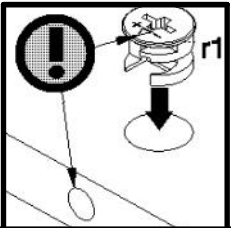
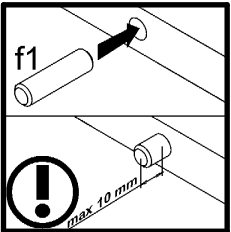
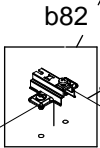
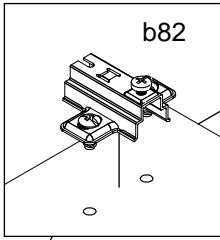
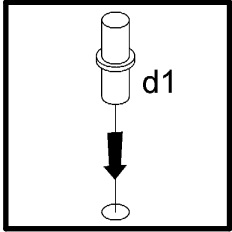
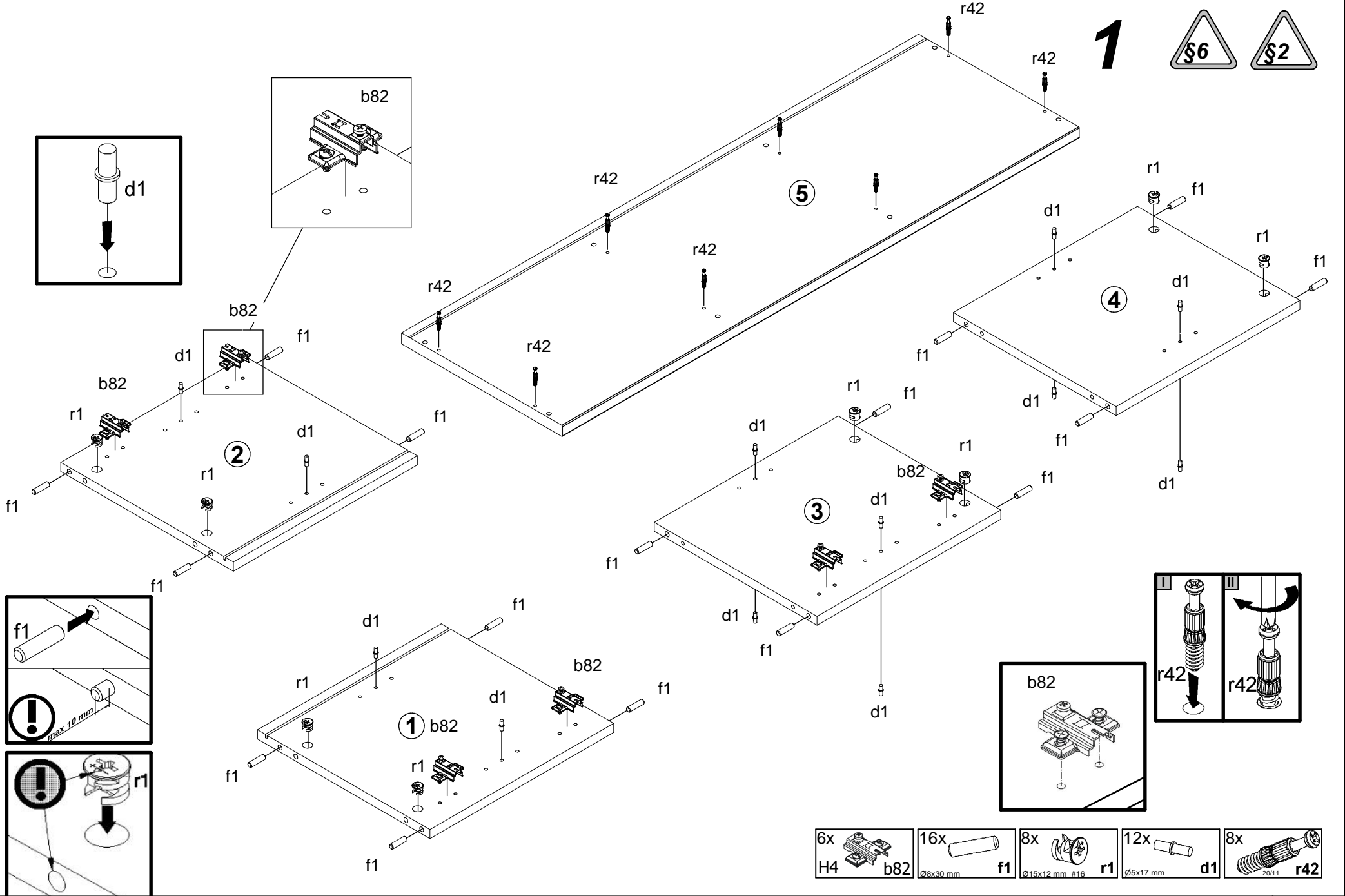
30A5--60

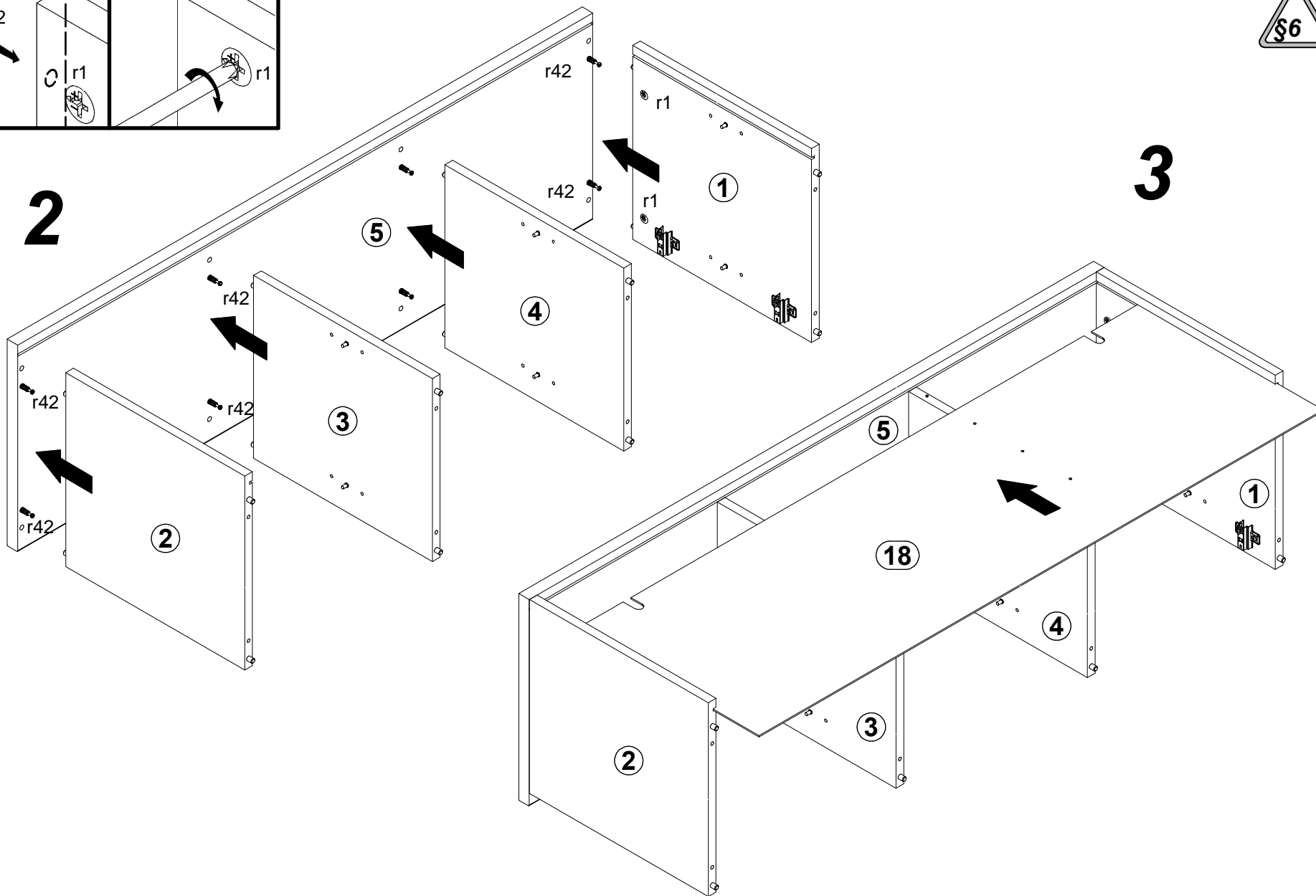
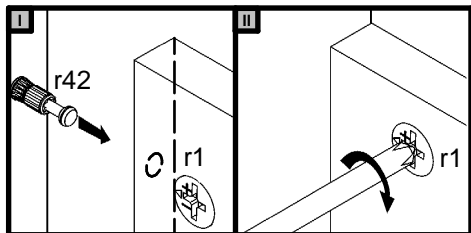
2 / 8



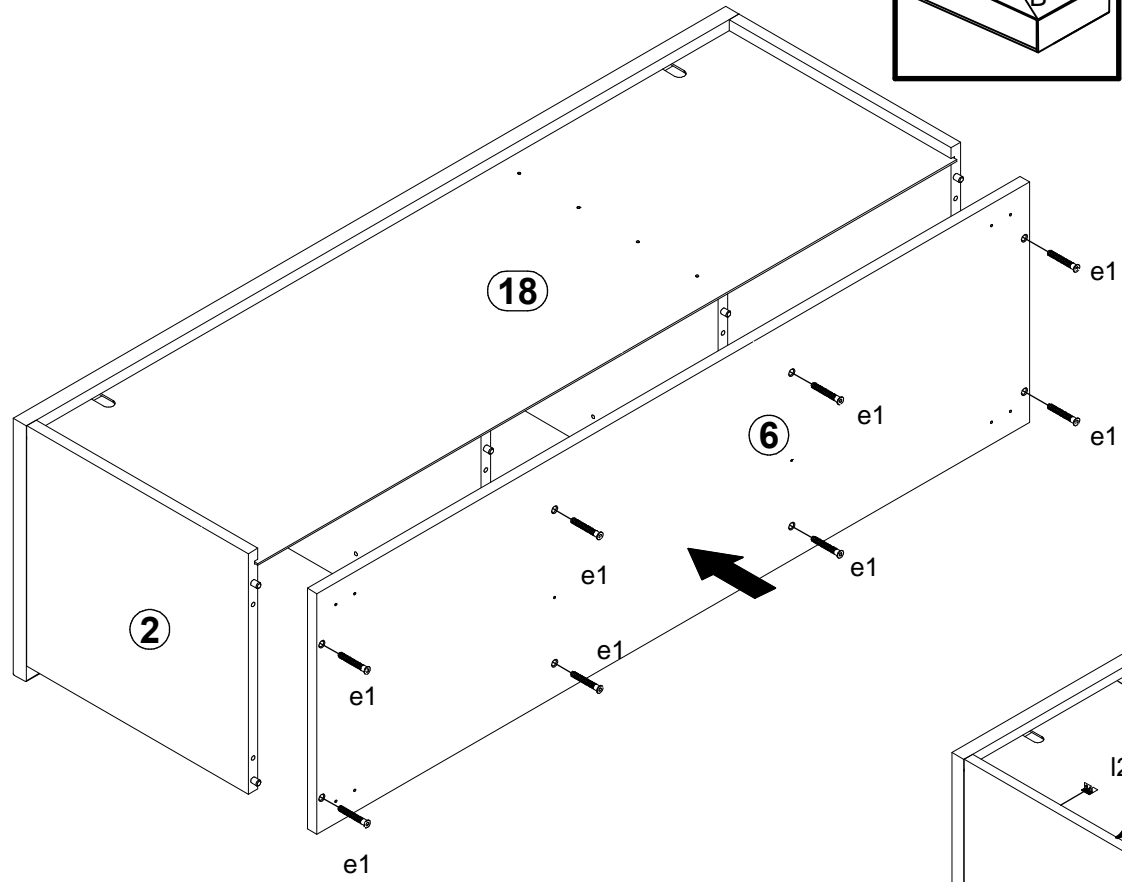
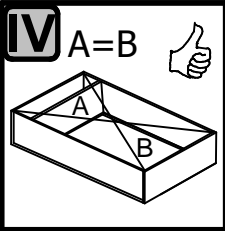
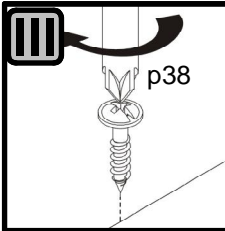
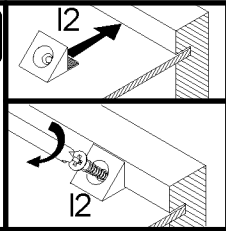
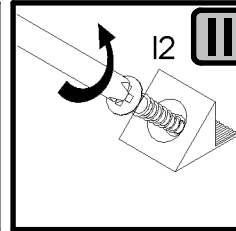
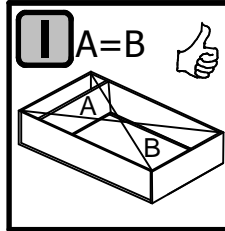
A	B	C1	C2	C3	D
1	M231-1003	374,	351	16	2/2
2	M231-1004	374,	351	16	2/2
3	M231-1005	374,	331	16	2/2
4	M231-1006	374,	331	16	1/1
5	M231-2003	1202	374,	22	2/2
6	M231-2004	1202	351	16	2/2
7	M231-3003	383	314	16	1/1
8	M231-3004	376	314	16	1/1
9	M231-5004	372	100	12,	1/1
10	M231-5005	379,	100	12,	1/1
11	M231-5301	1190	348	55	2/2
12	M231-7005	192	396	19	1/1
13	M231-7006	192	396	19	1/1
14	M231-7007	192	396	19	1/1
15	M231-7008	192	396	19	1/1
16	M231-7009	176	396	19	1/1
17	M231-7010	192	396	19	1/1
18	M231-9001	384,	1179,	2,5	2/2







4



5

- | | | |
|---------------|---------------|---------------|
| 4x

k55 | 8x

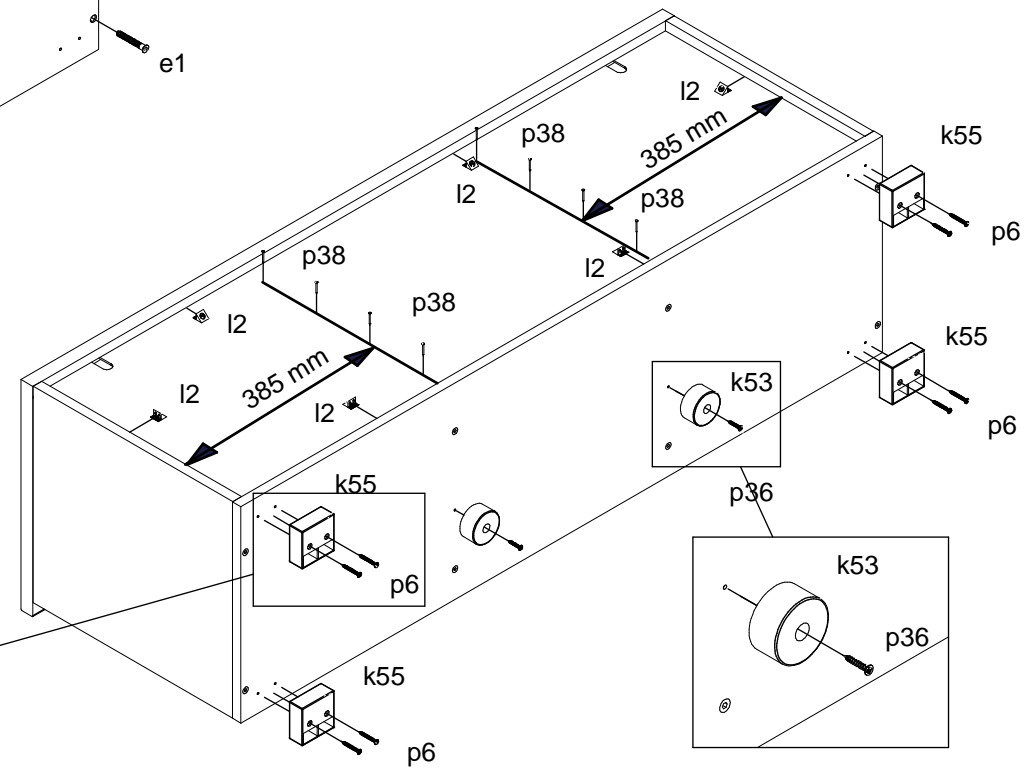
p6 | 8x

p38 |
| 2x

k53 | 2x

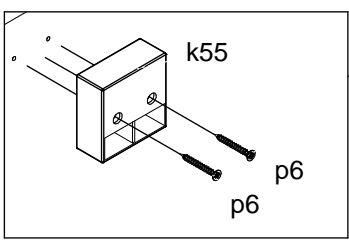
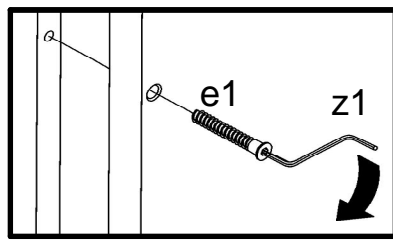
p36 | 6x

l2 |

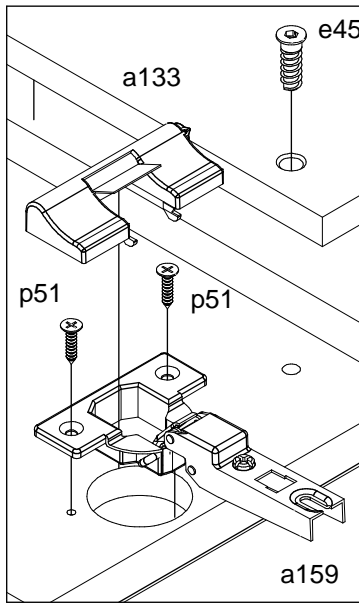
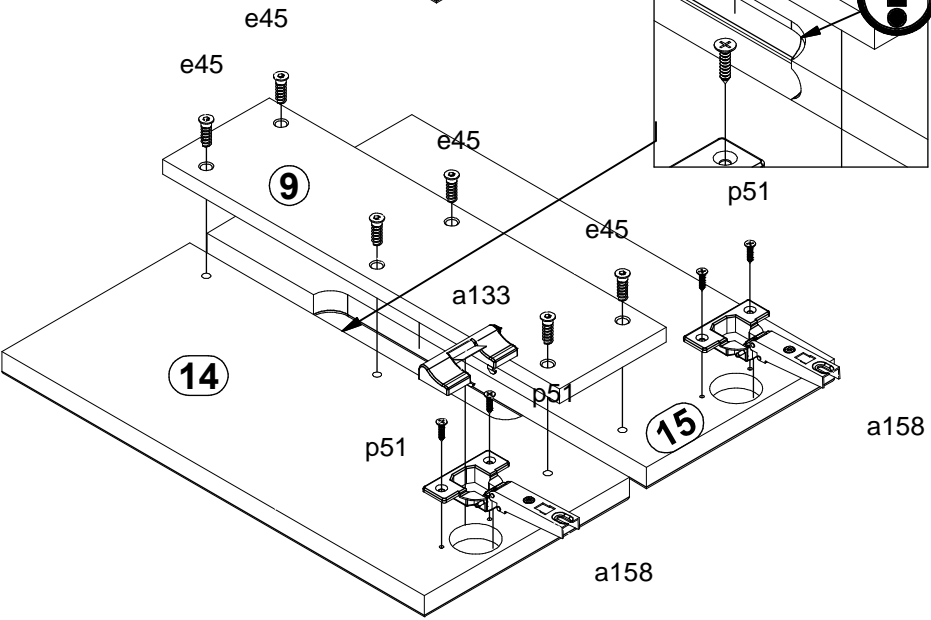
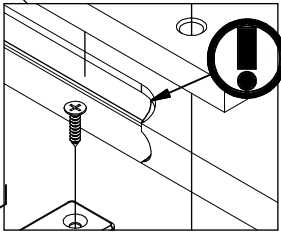
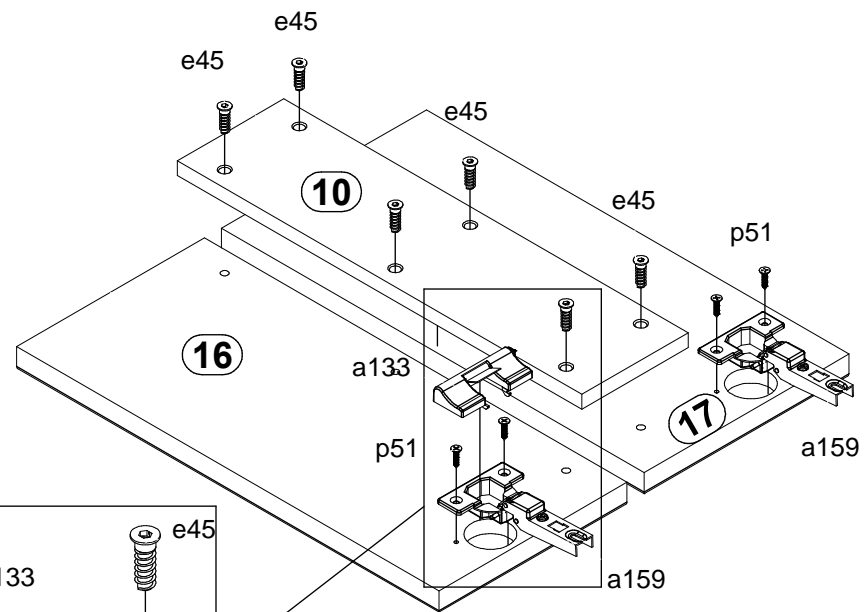
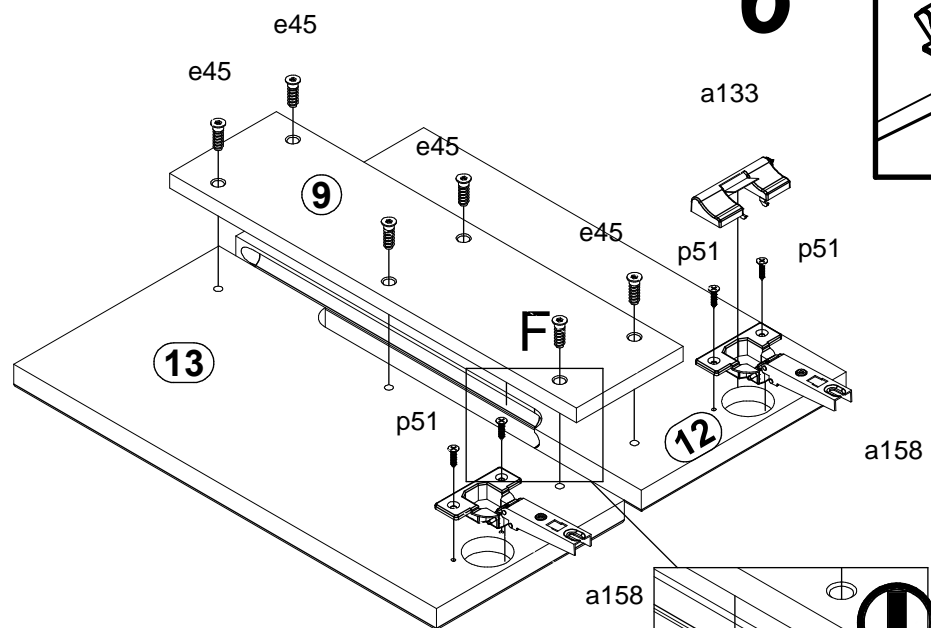
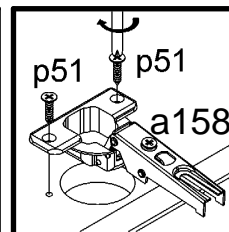
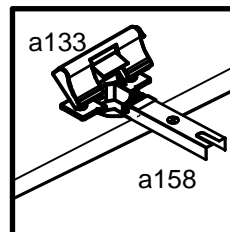


- 8x

e1



6



- | | |
|----------------|----------------|
| 3x

a133 | 4x

a158 |
| 2x

a159 | 12x

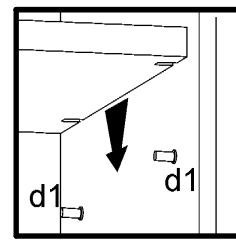
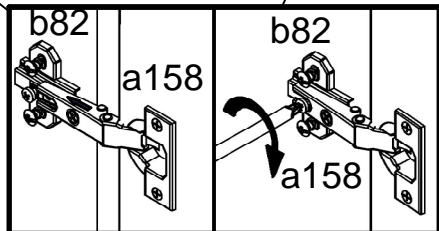
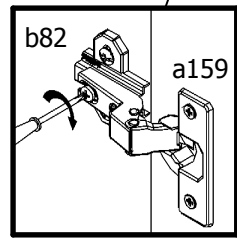
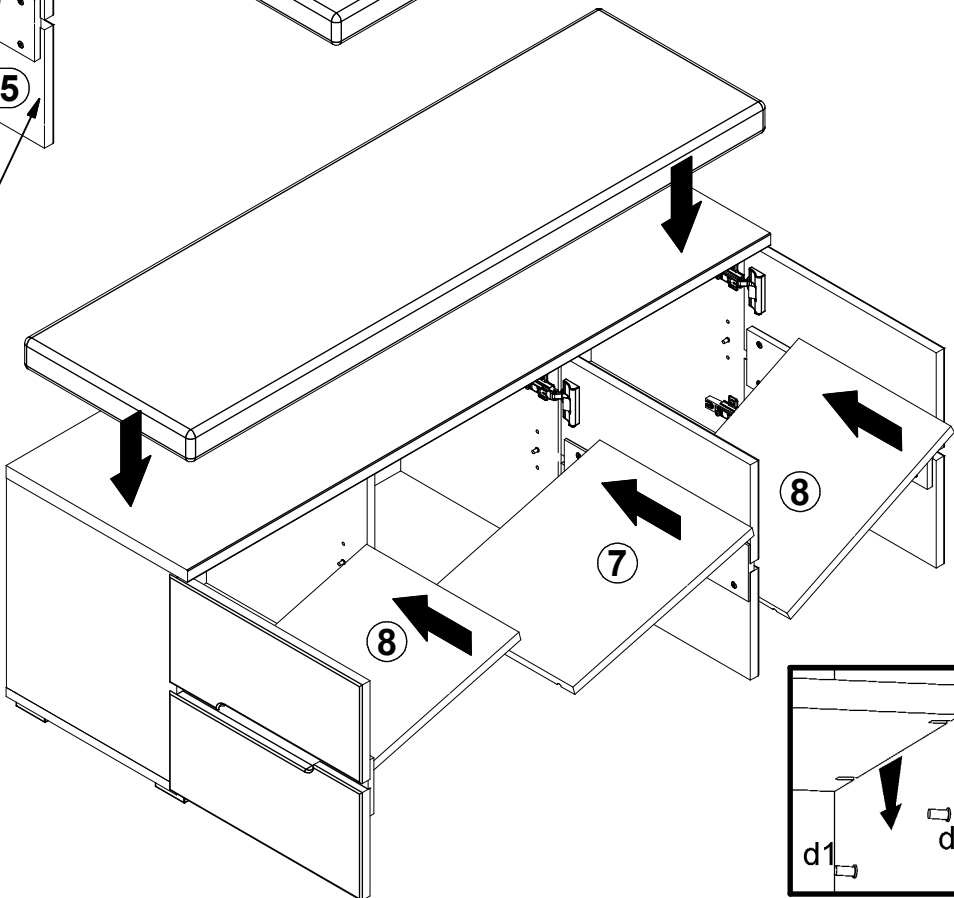
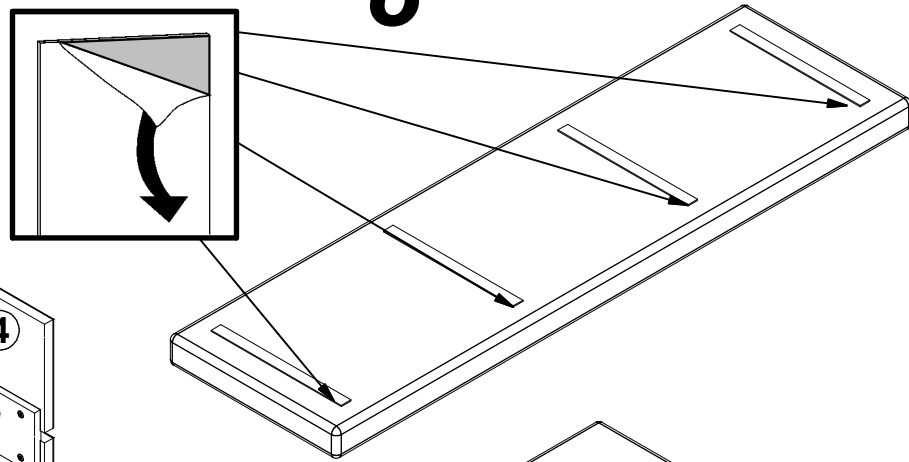
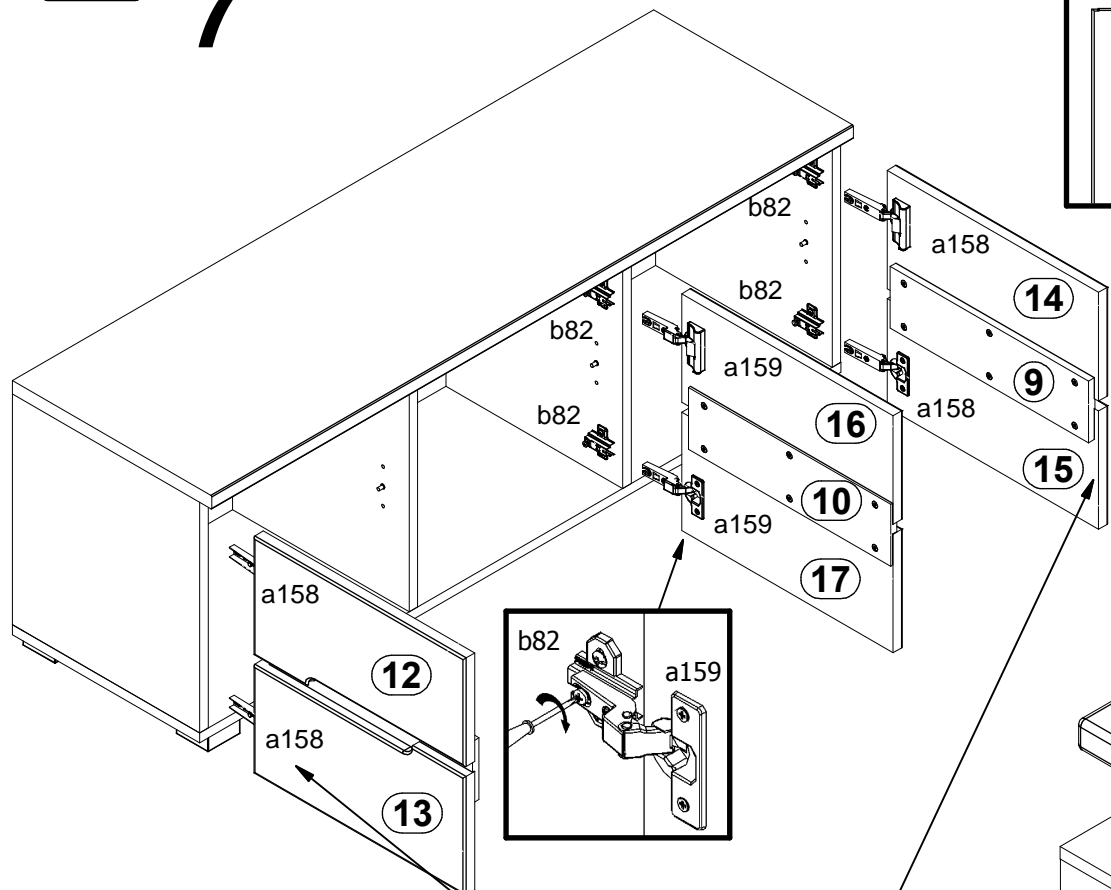
p51 |
| | 18x

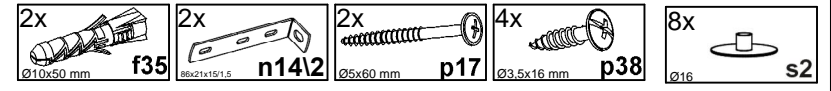
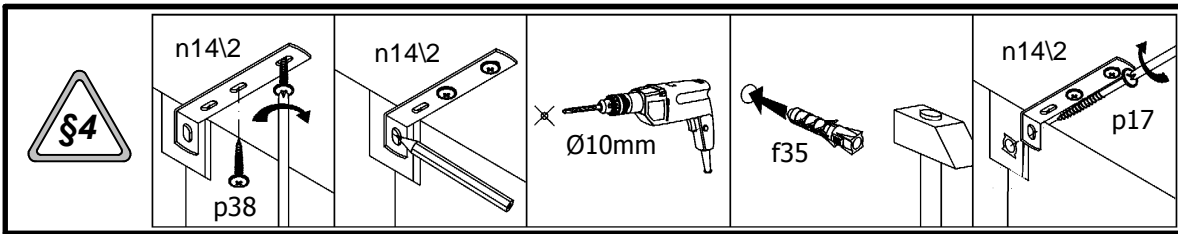
e45 |



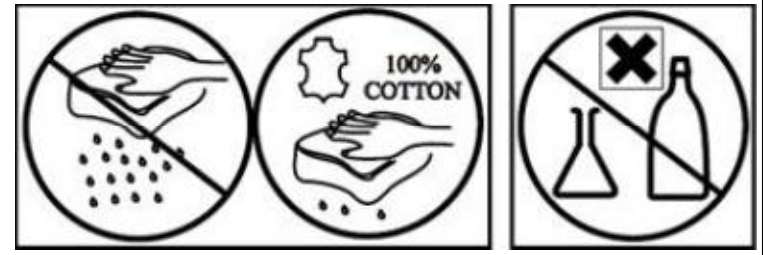
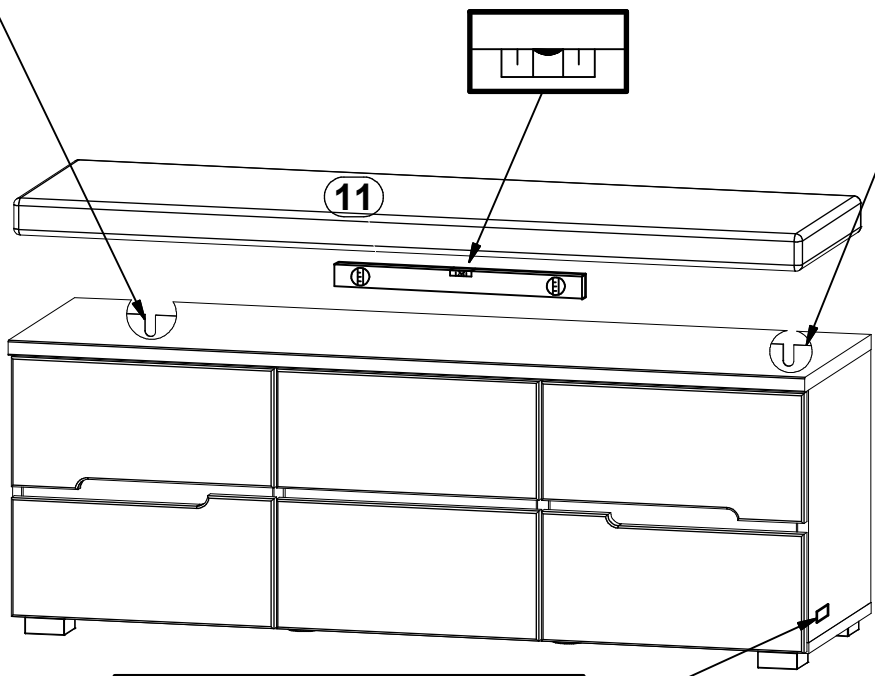
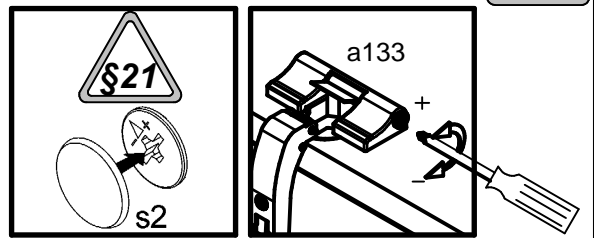
7

8





9



1x VOLEO s93

