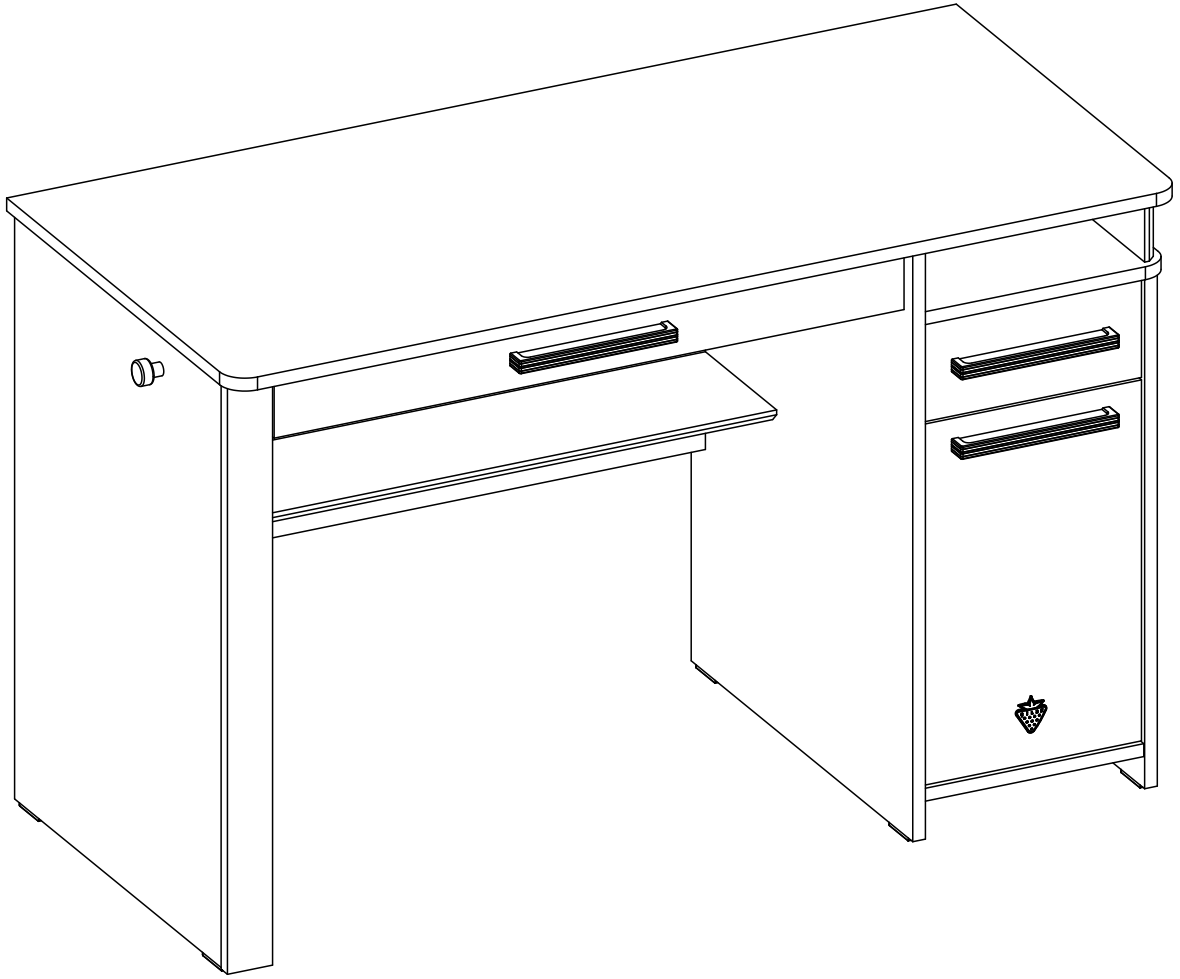


# 20.50.1105.00

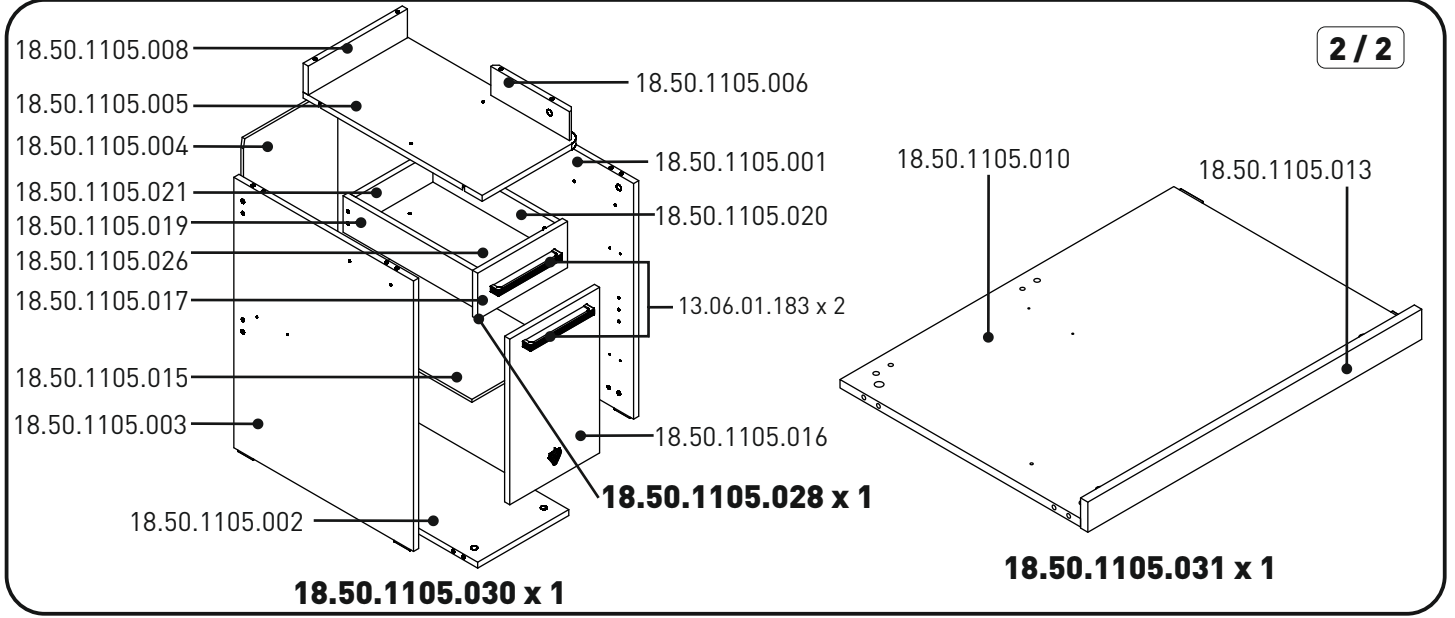
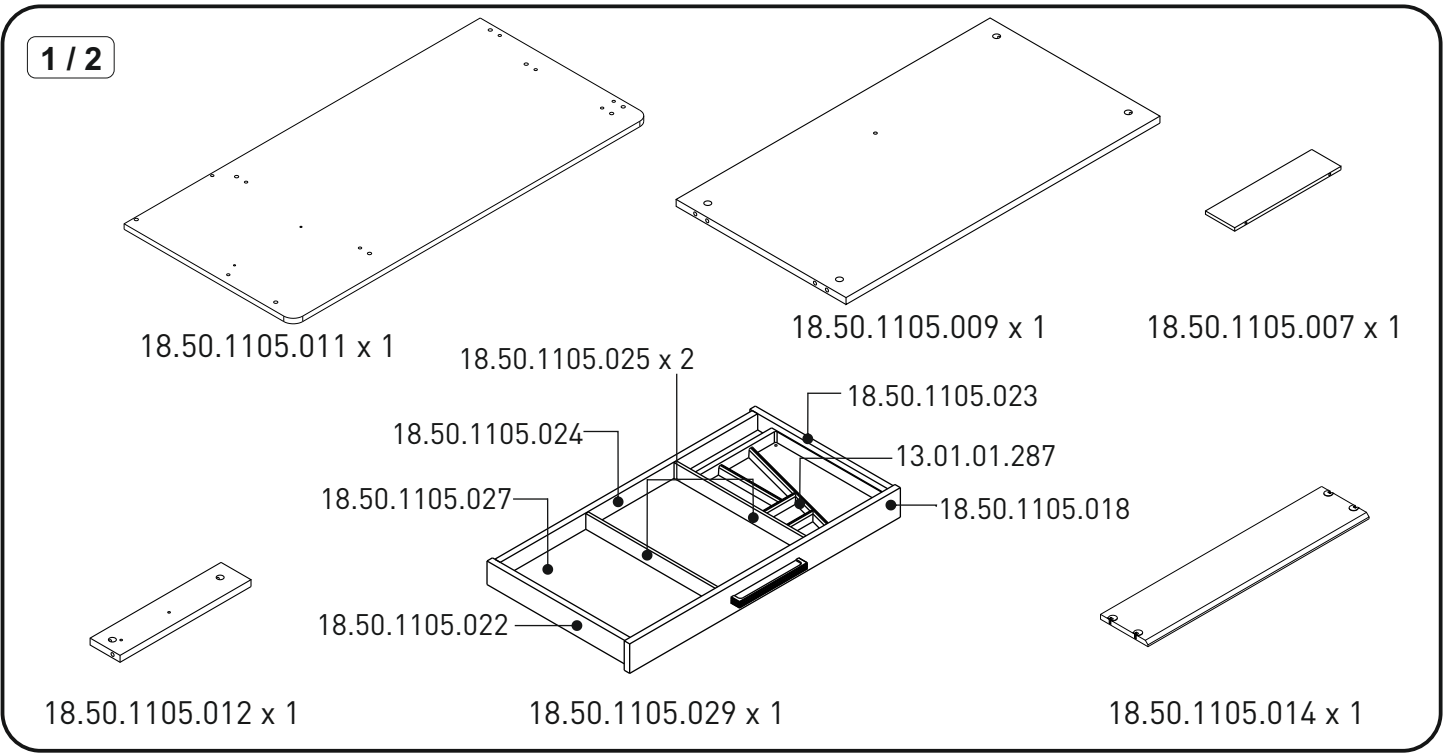
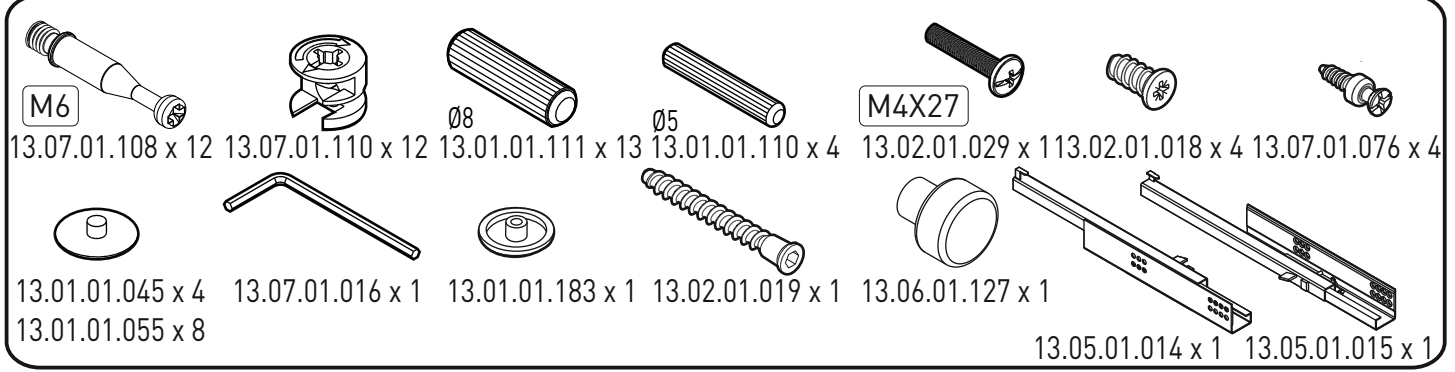
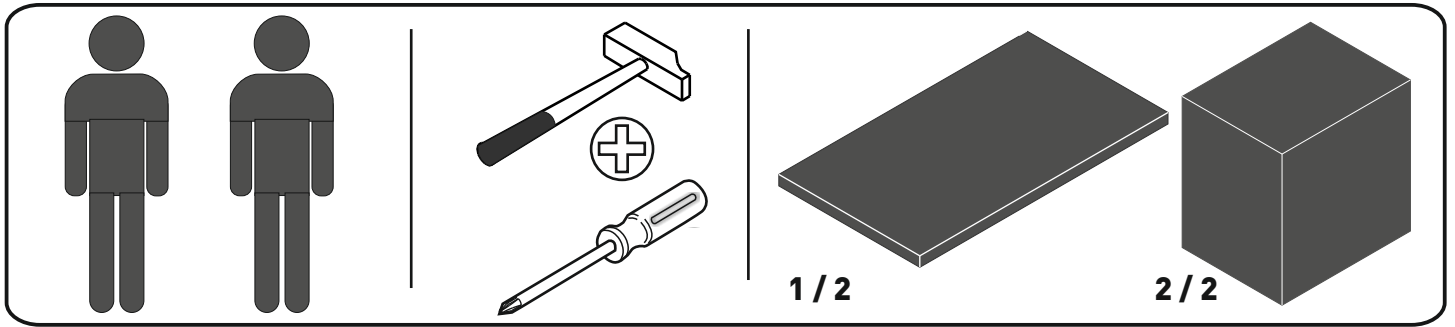


GARANTİ BELGESİ VE  
KULLANMA KILAVUZU

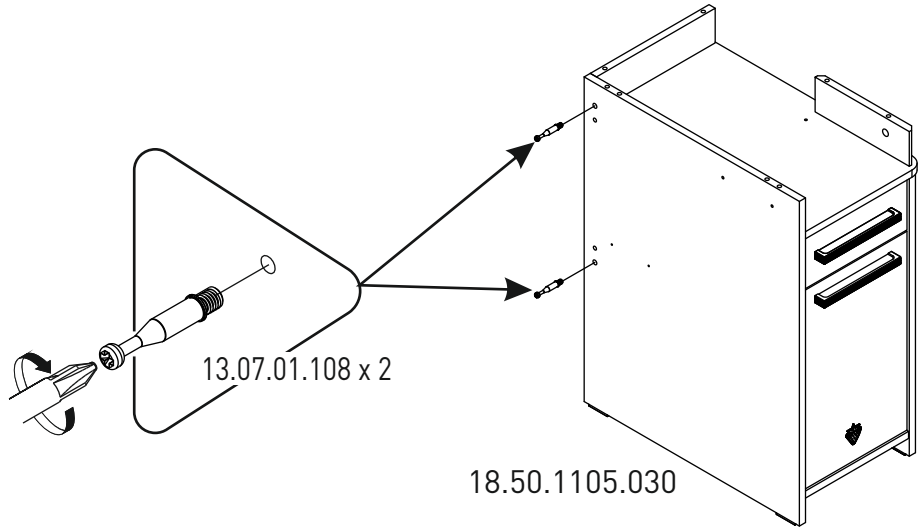


WARRANTY CERTIFICATE  
AND USER MANUAL

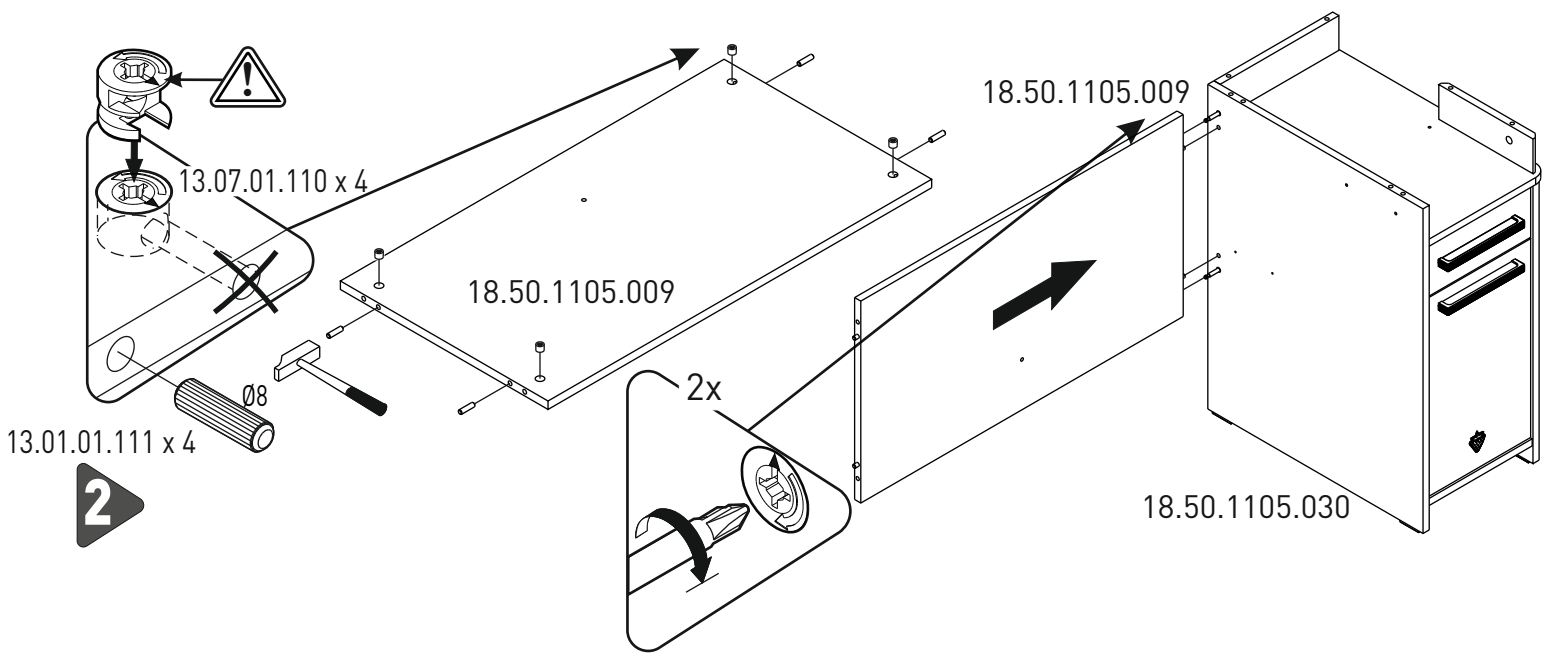




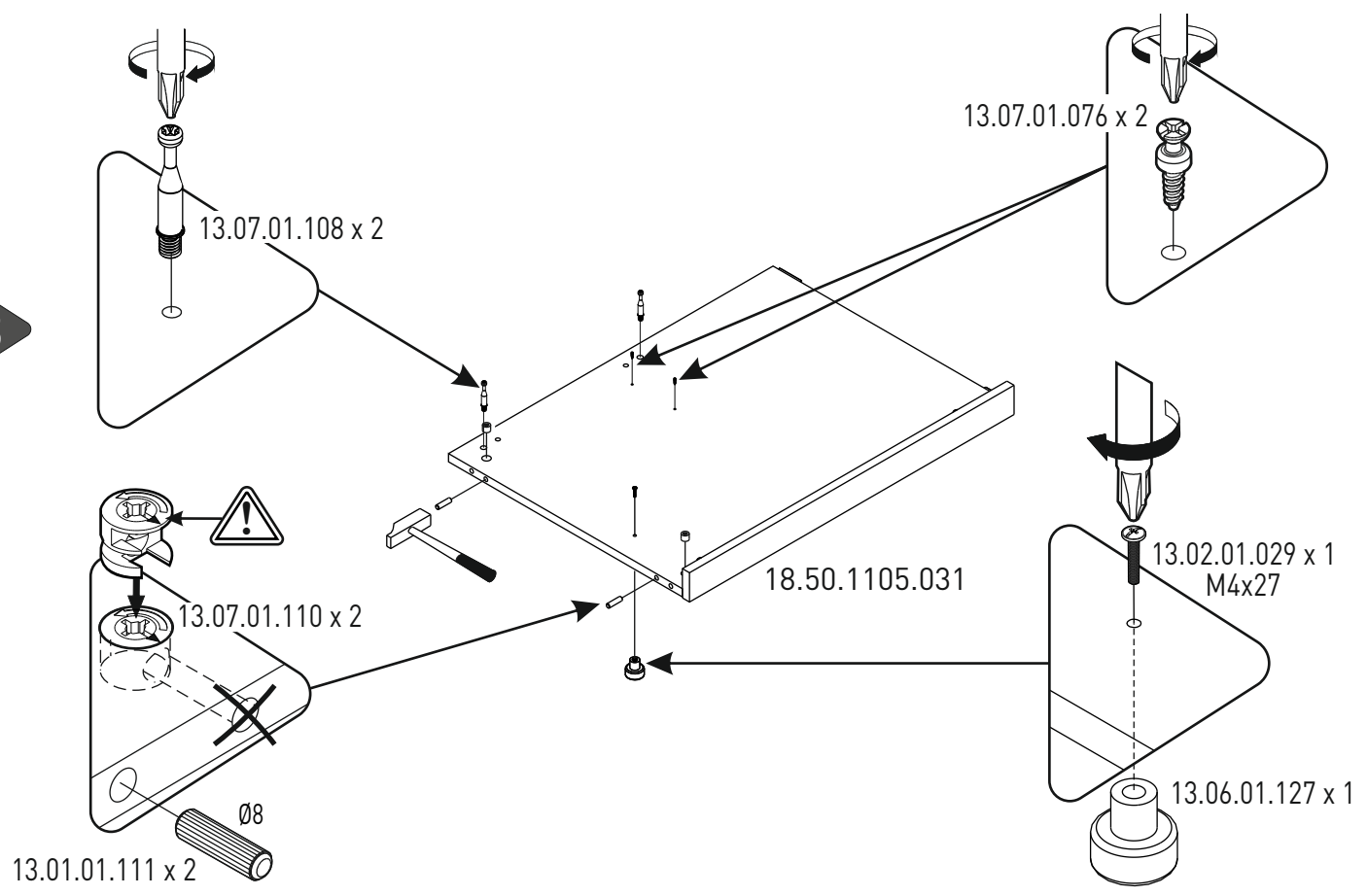
1



2



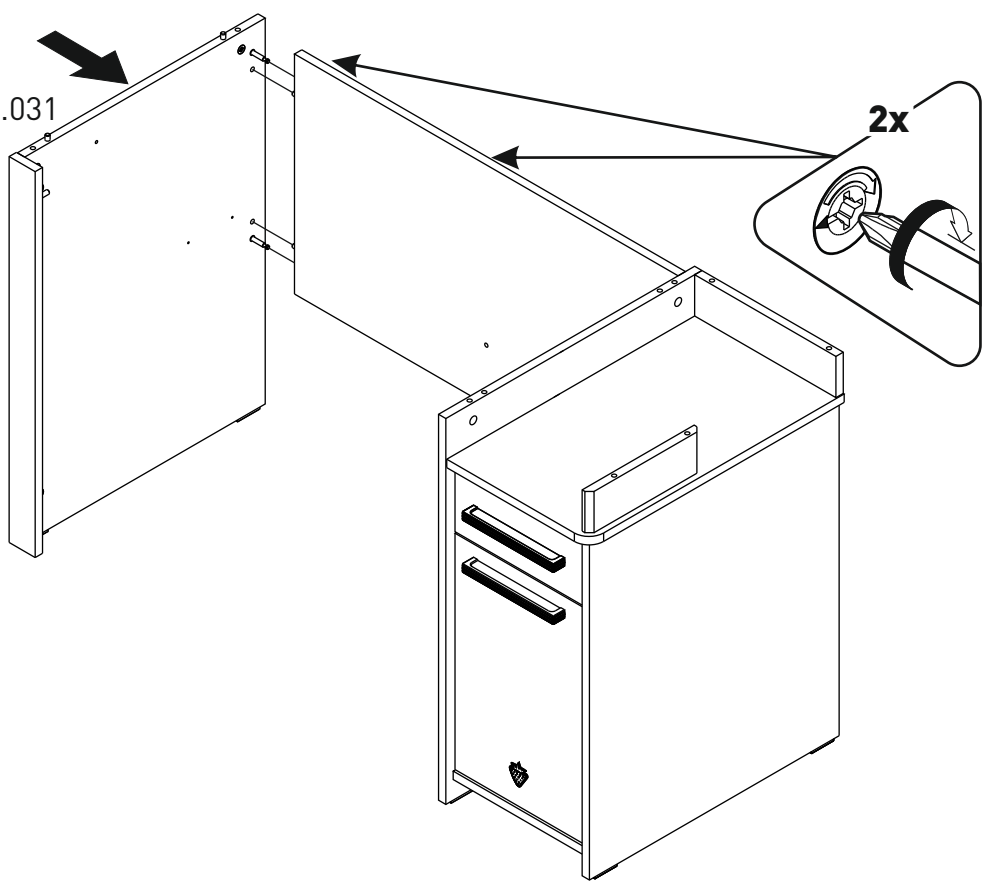
3



4

18.50.1105.031

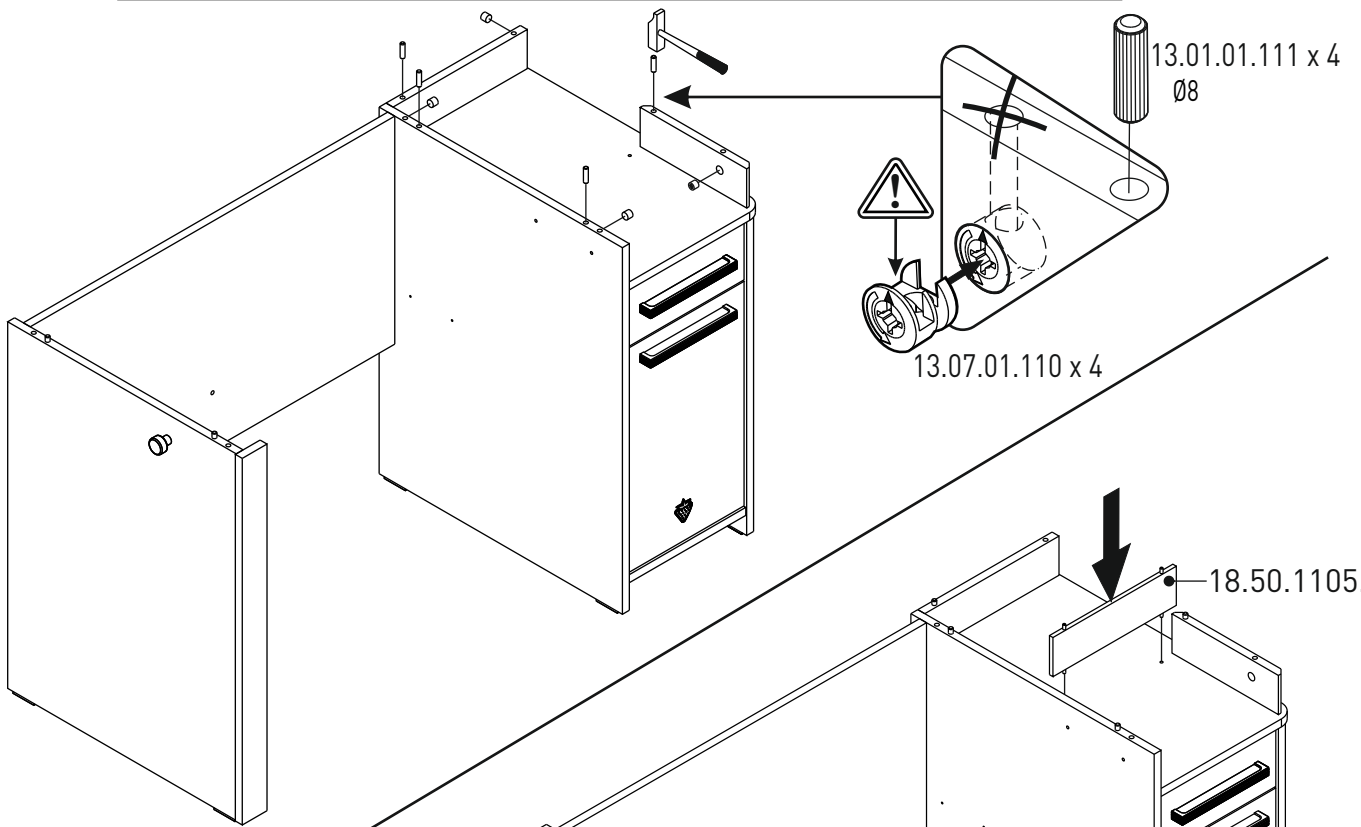
2x



5

13.01.01.111 x 4  
Ø8

13.07.01.110 x 4



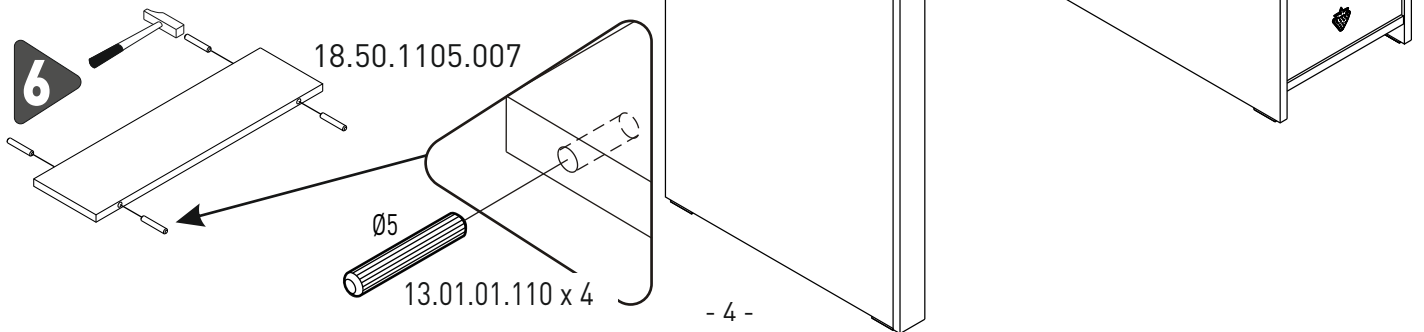
6

18.50.1105.007

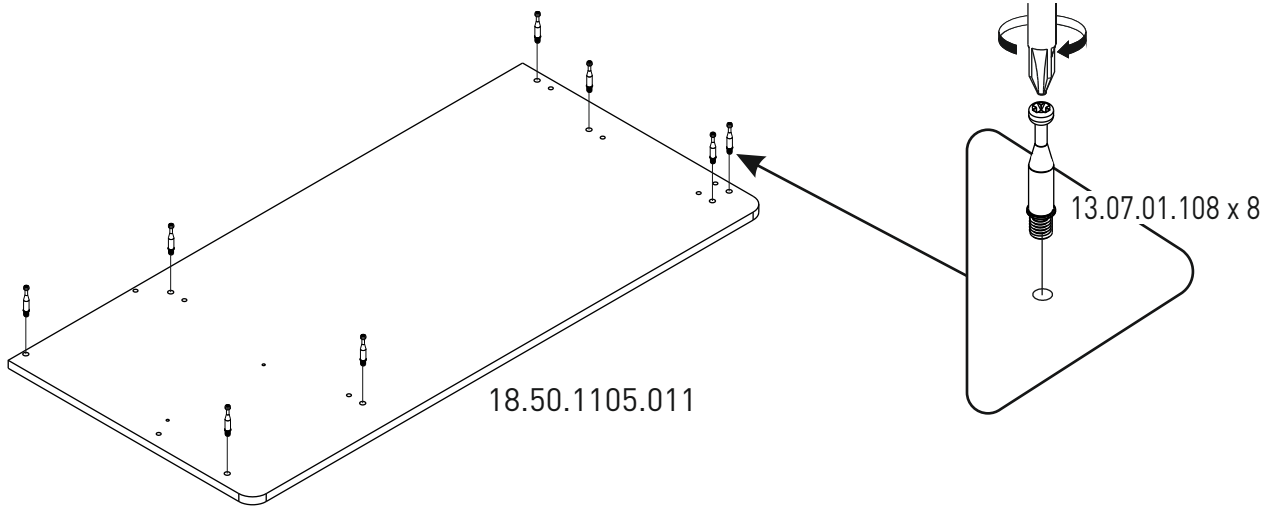
Ø5

13.01.01.110 x 4

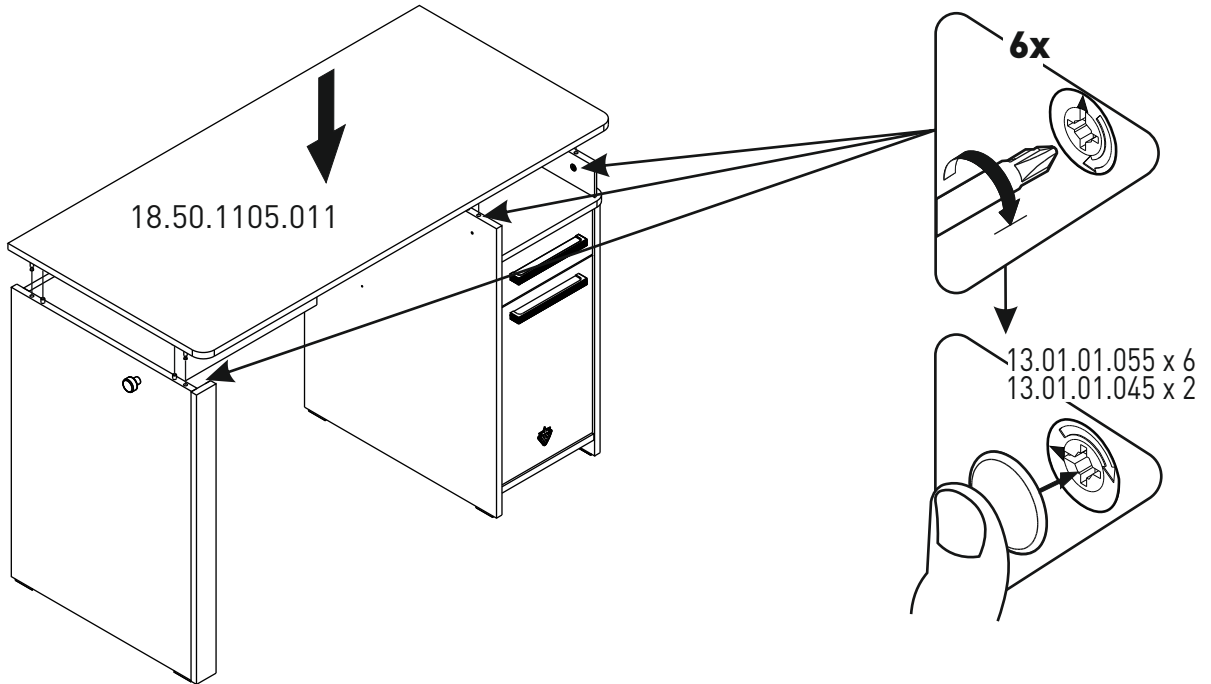
18.50.1105.00



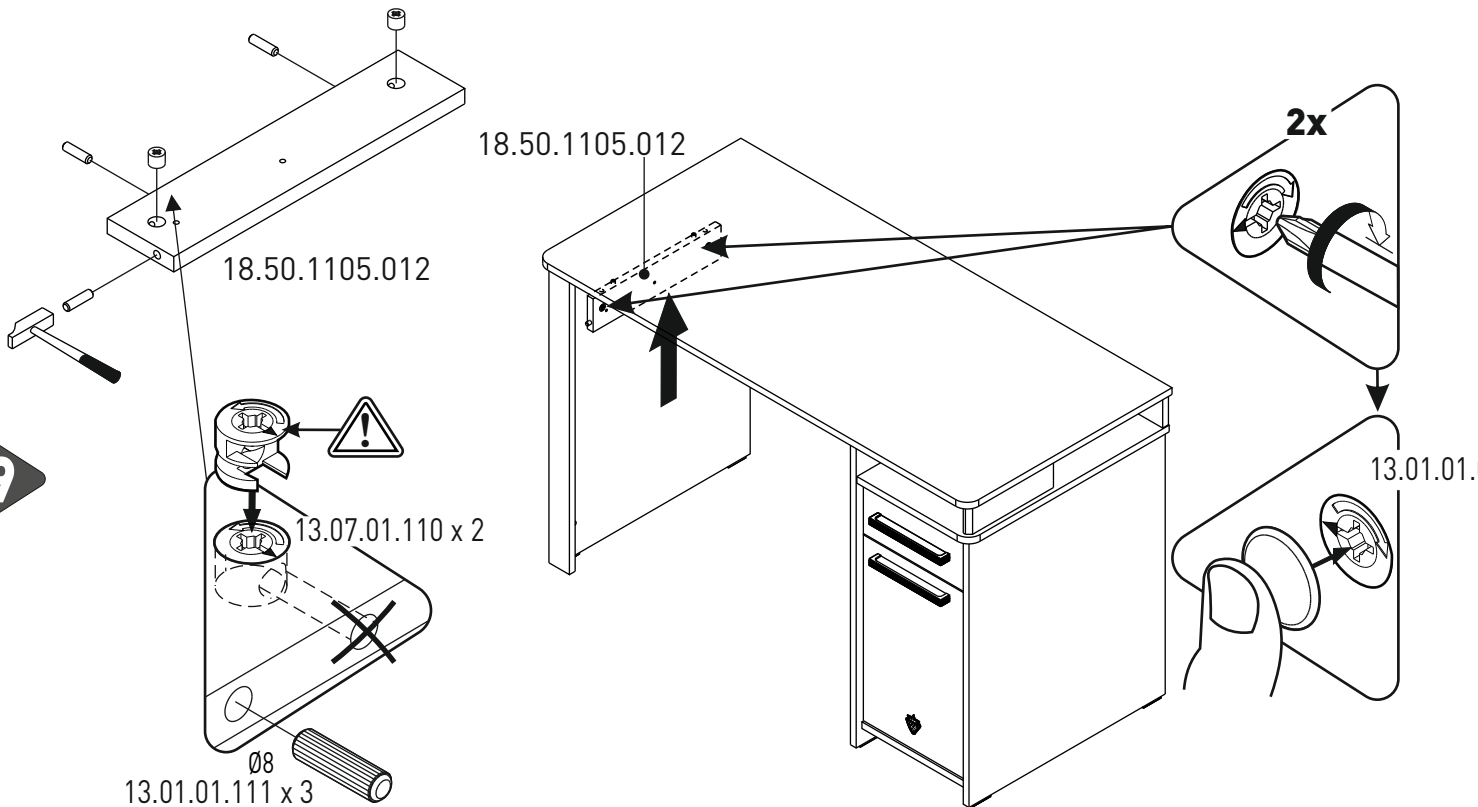
7



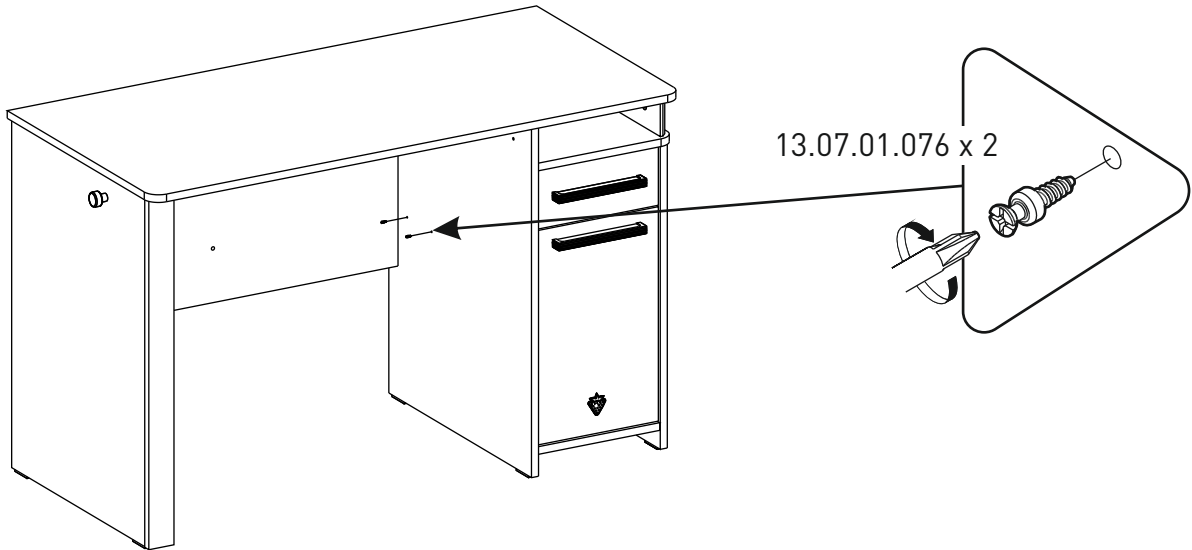
8



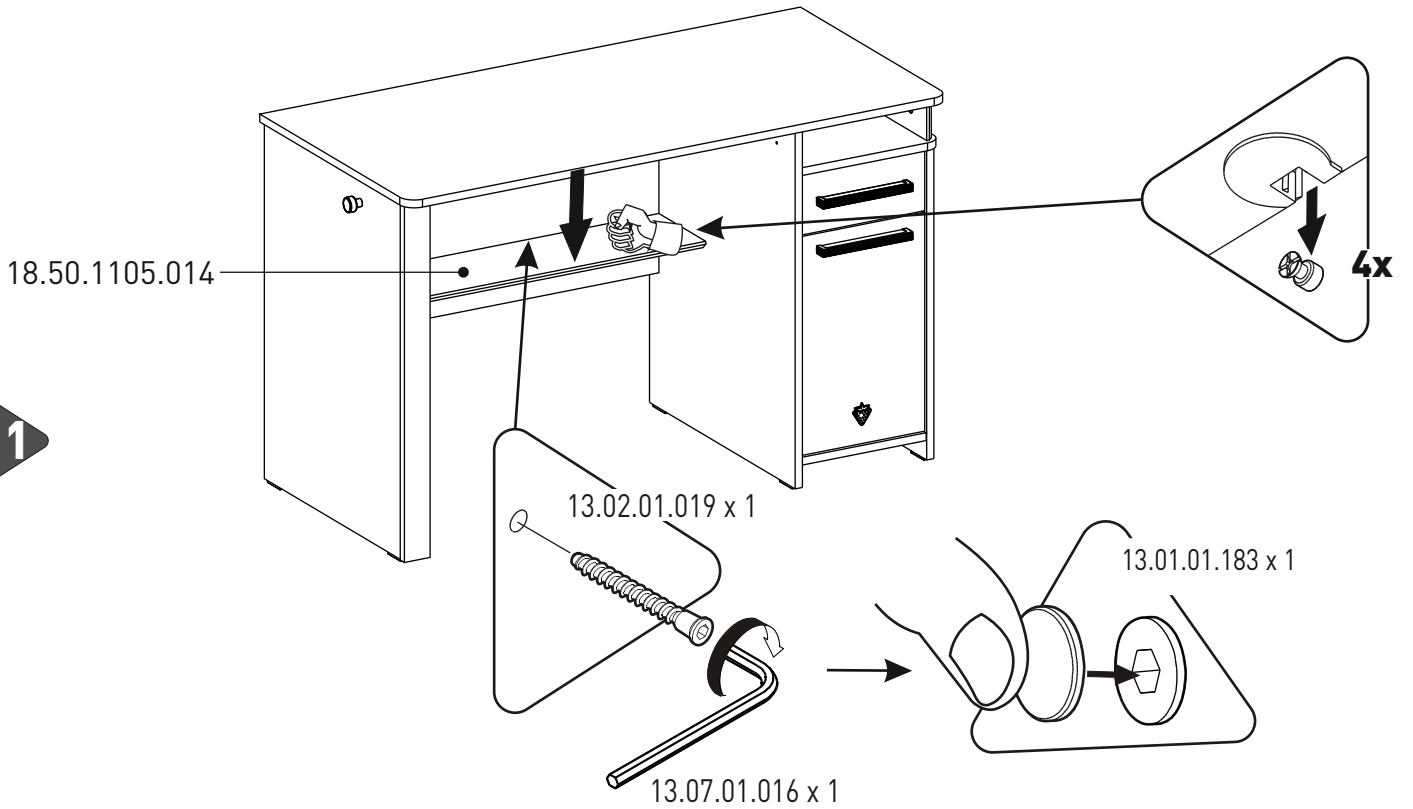
9



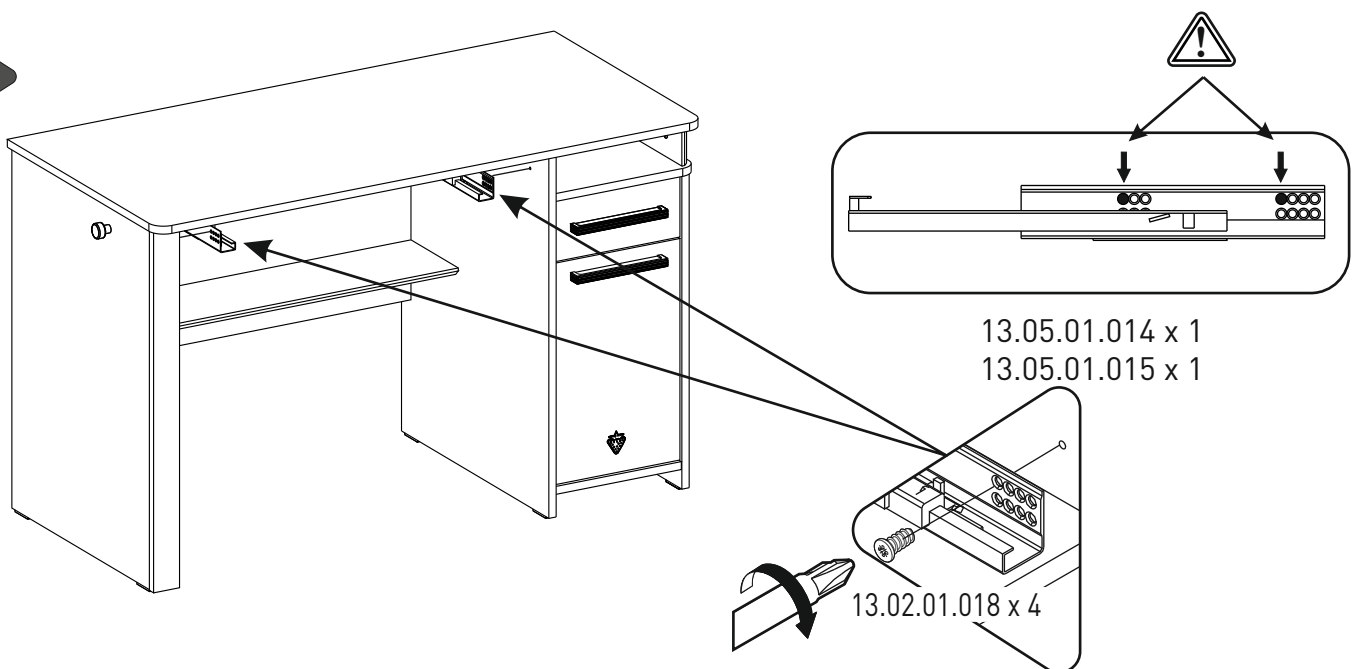
10



11



12



13

