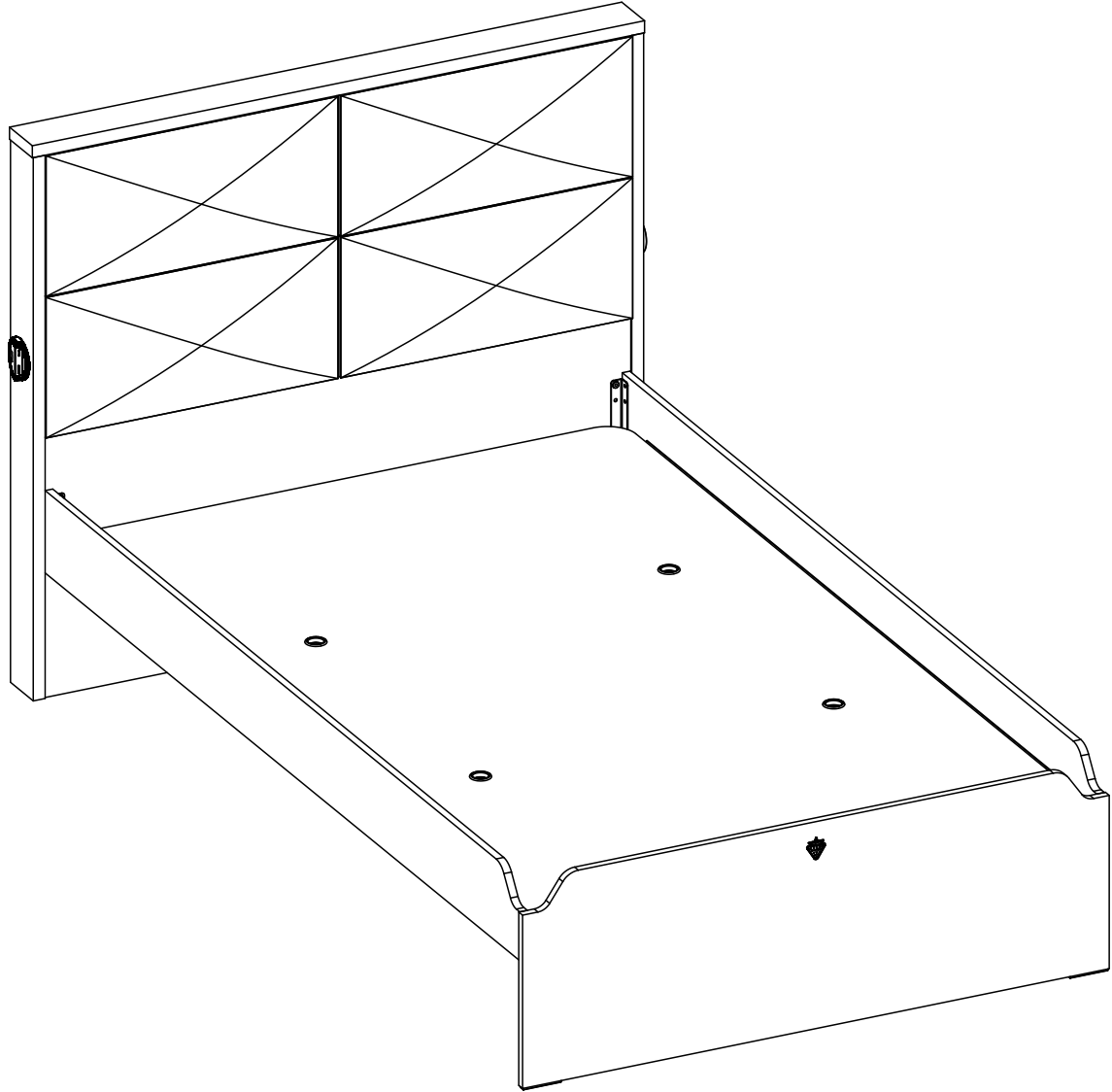


# 20.50.1315.00

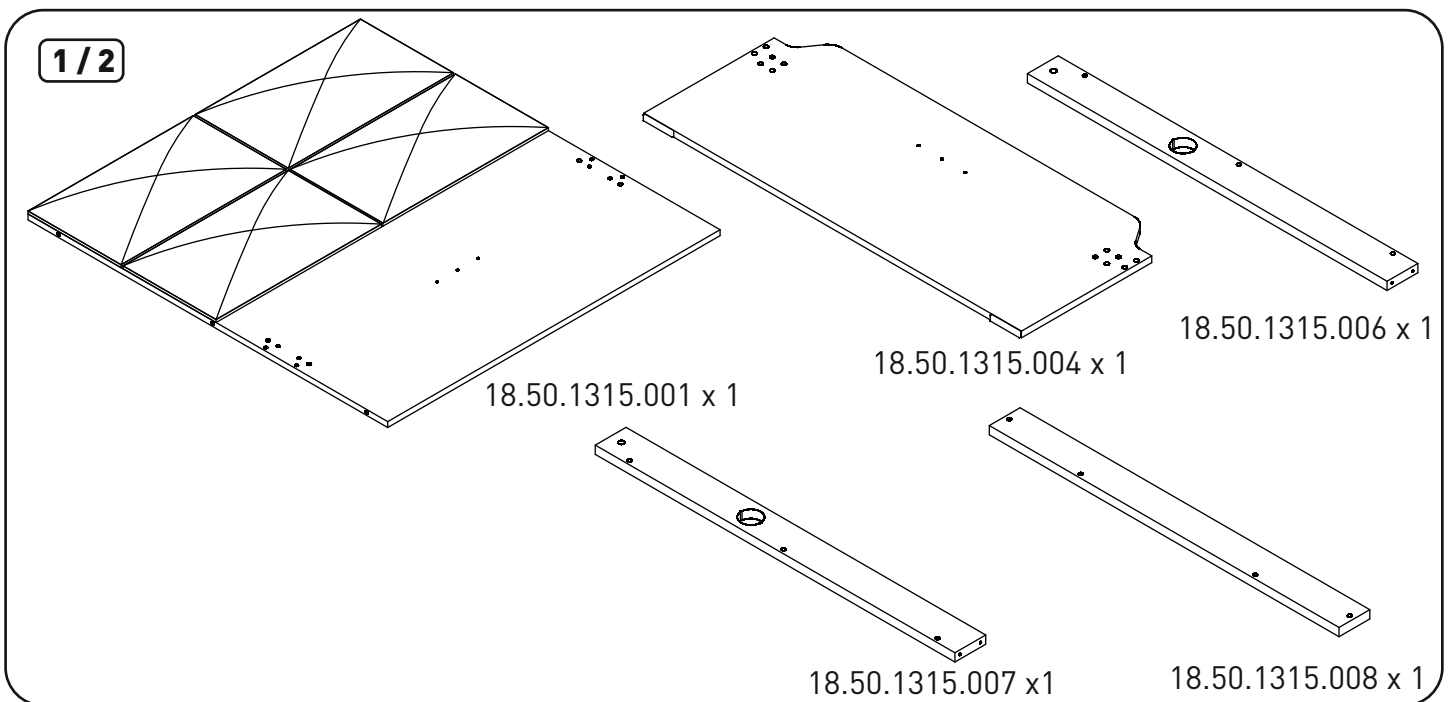
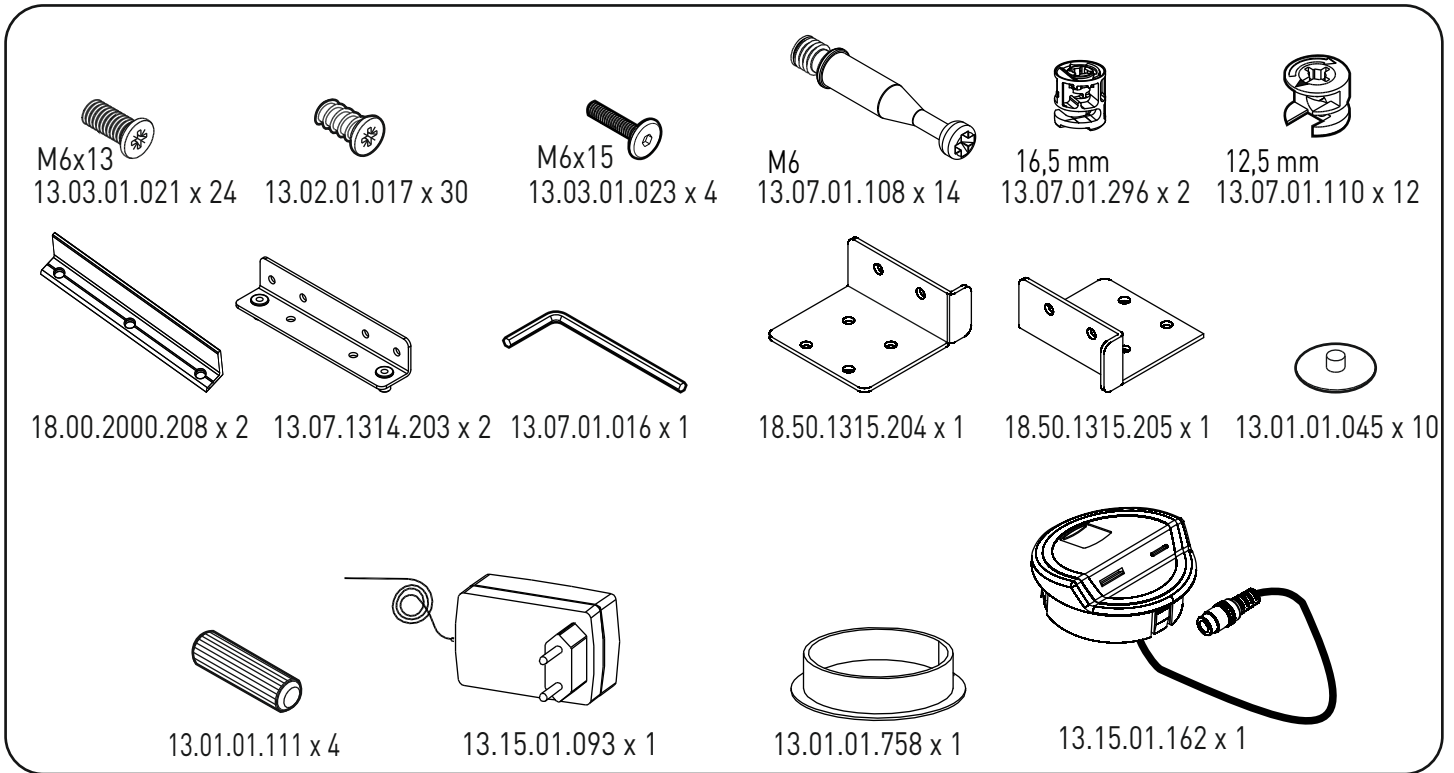
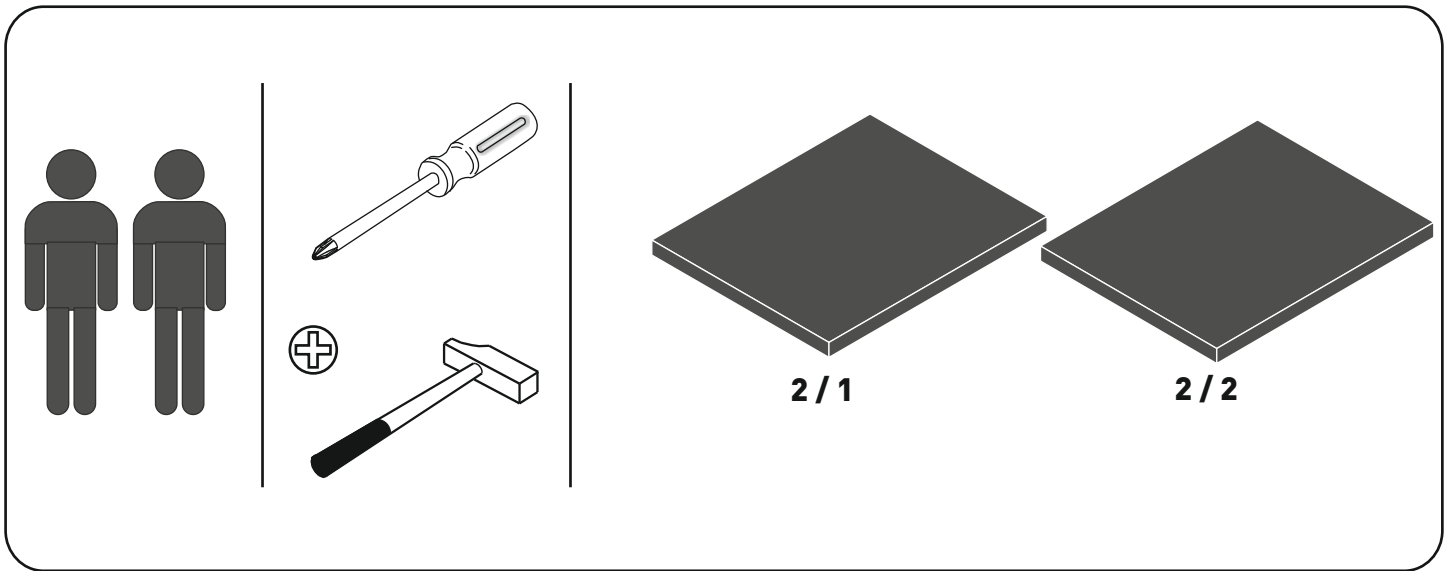


GARANTİ BELGESİ VE  
KULLANMA KILAVUZU

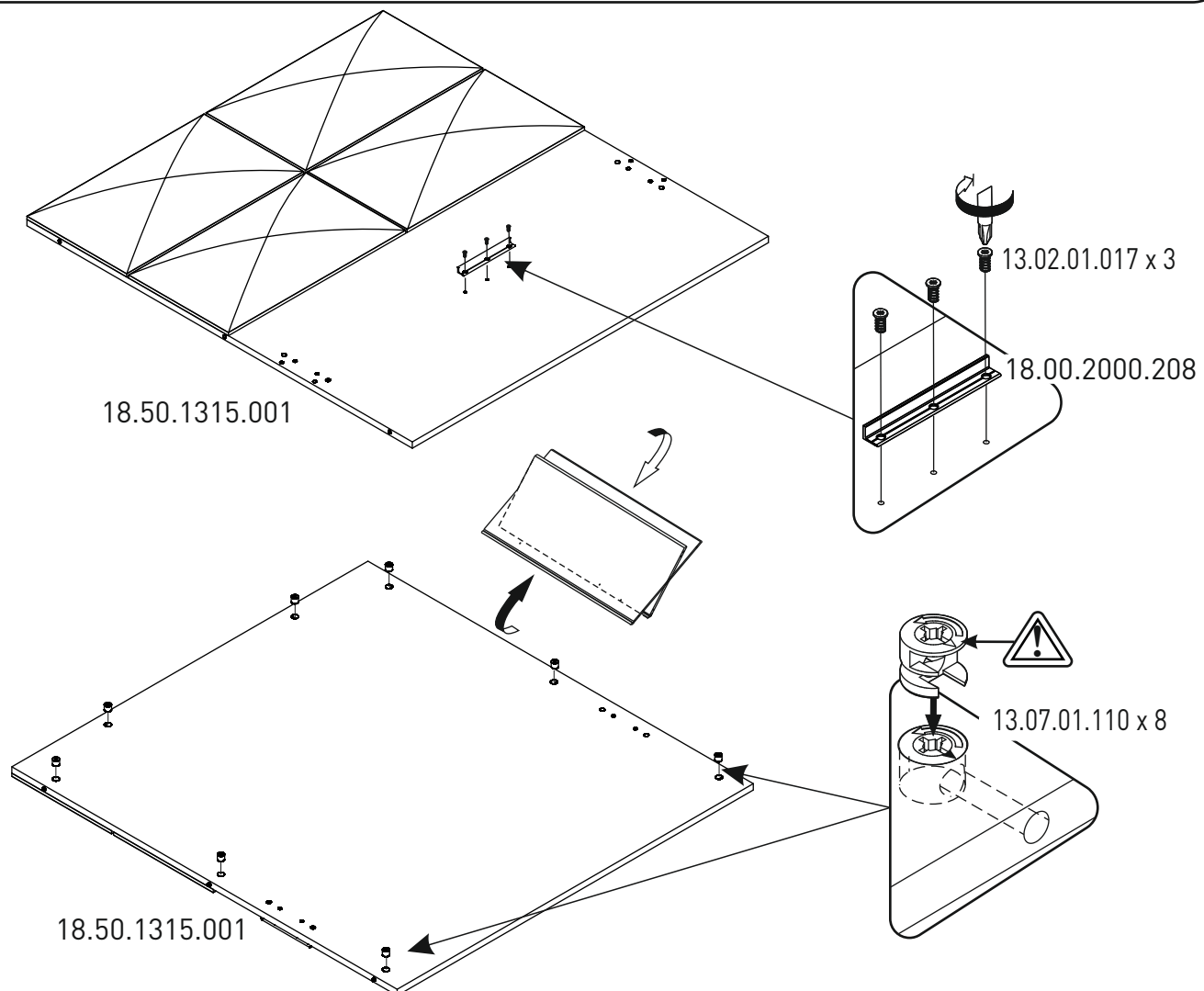
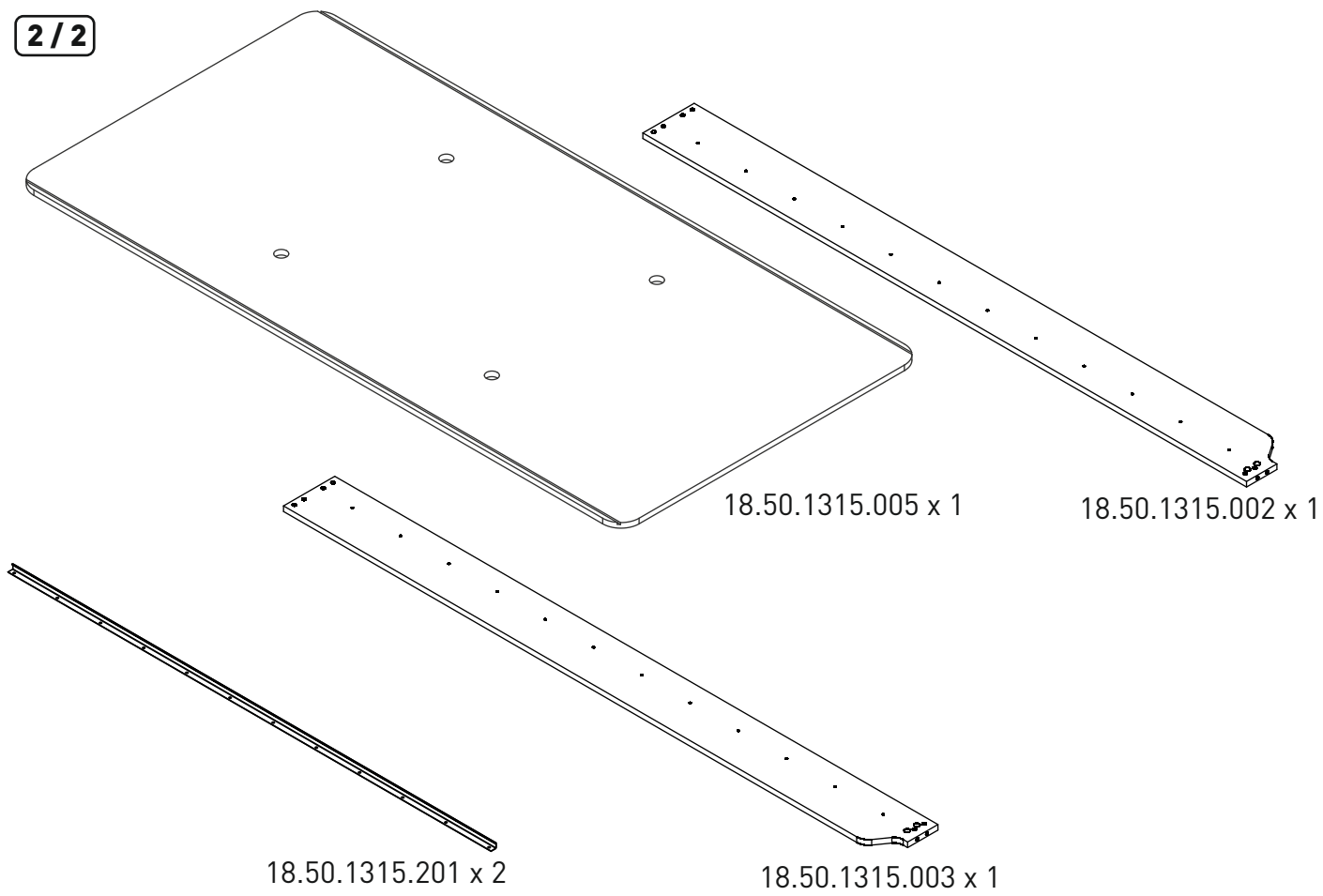


WARRANTY CERTIFICATE  
AND USER MANUAL

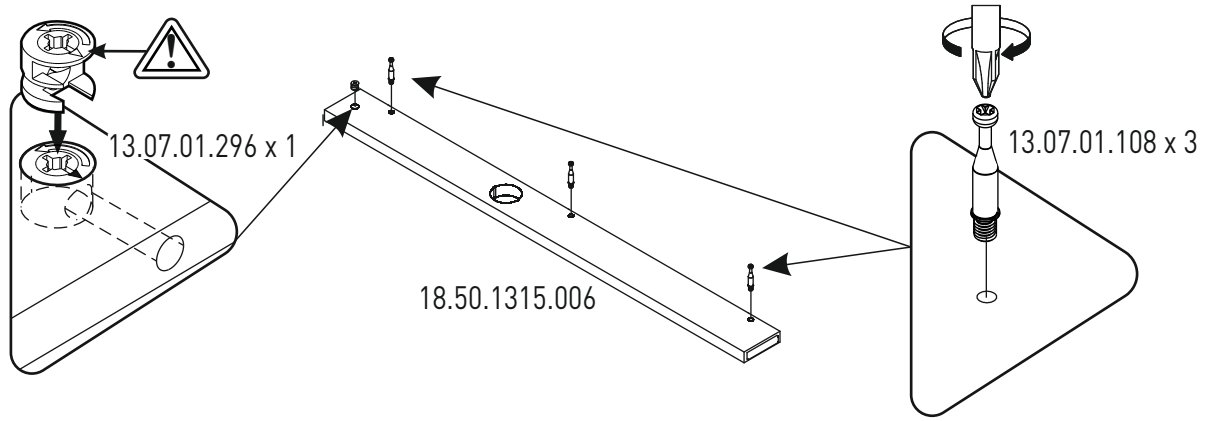




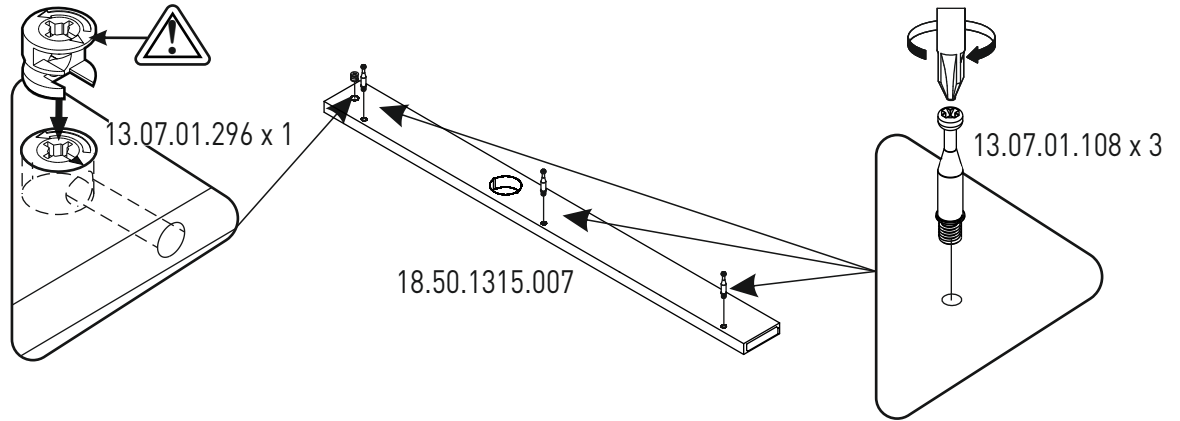
2/2



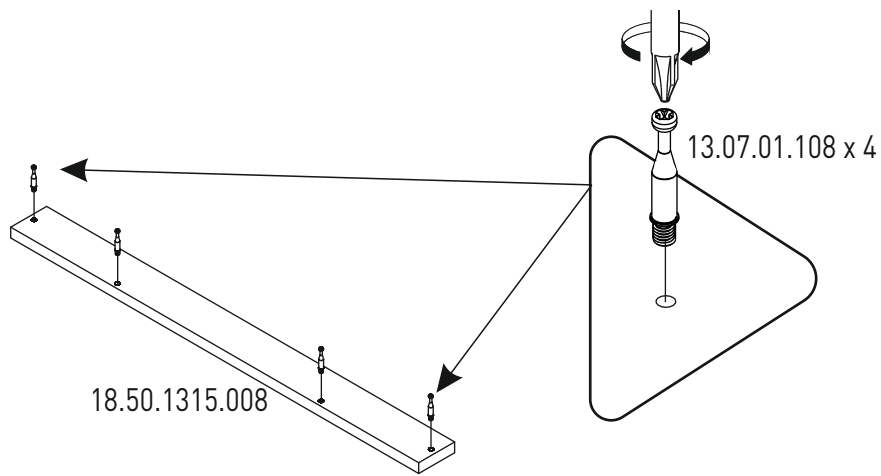
2



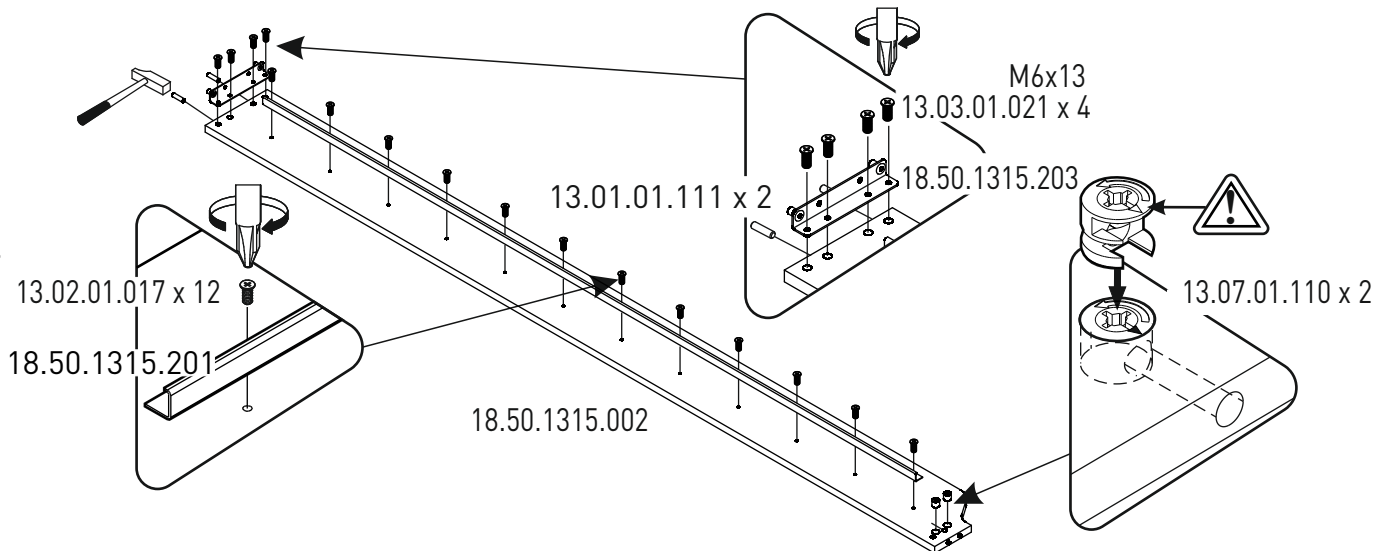
3

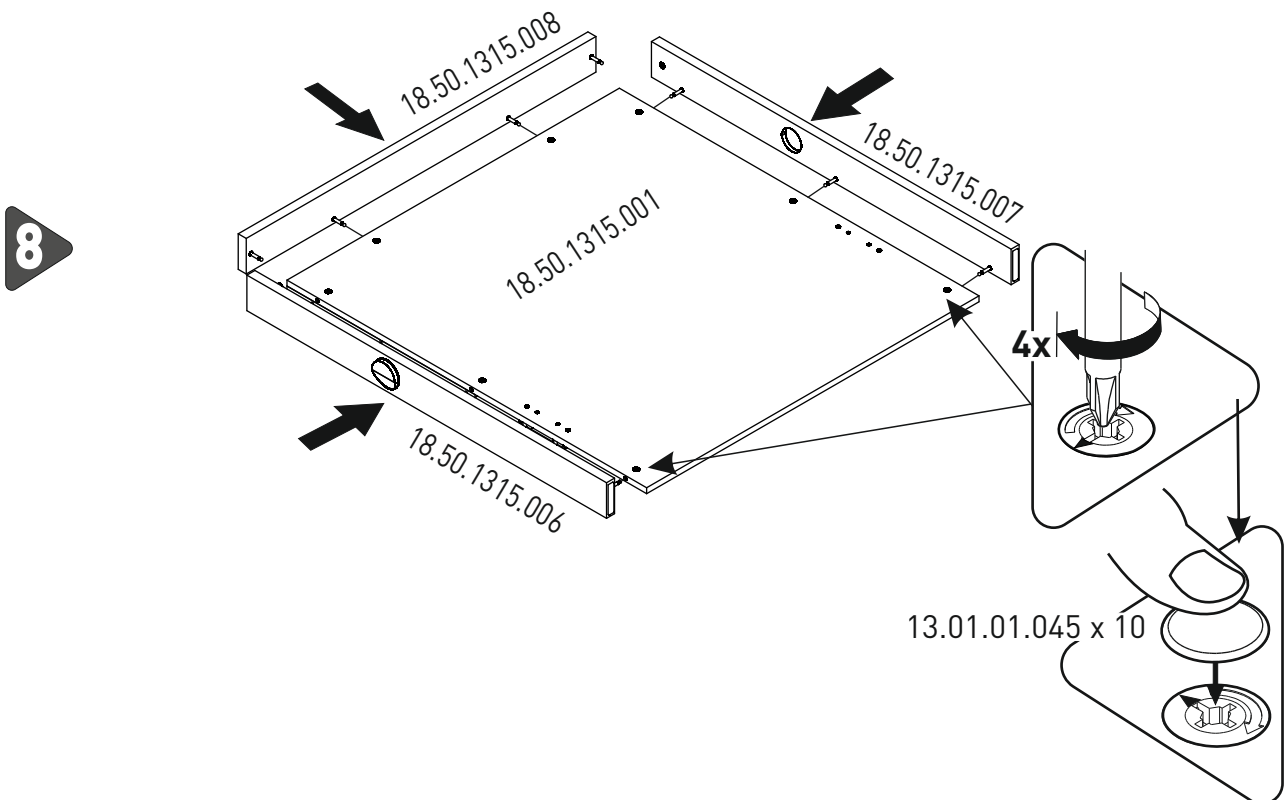
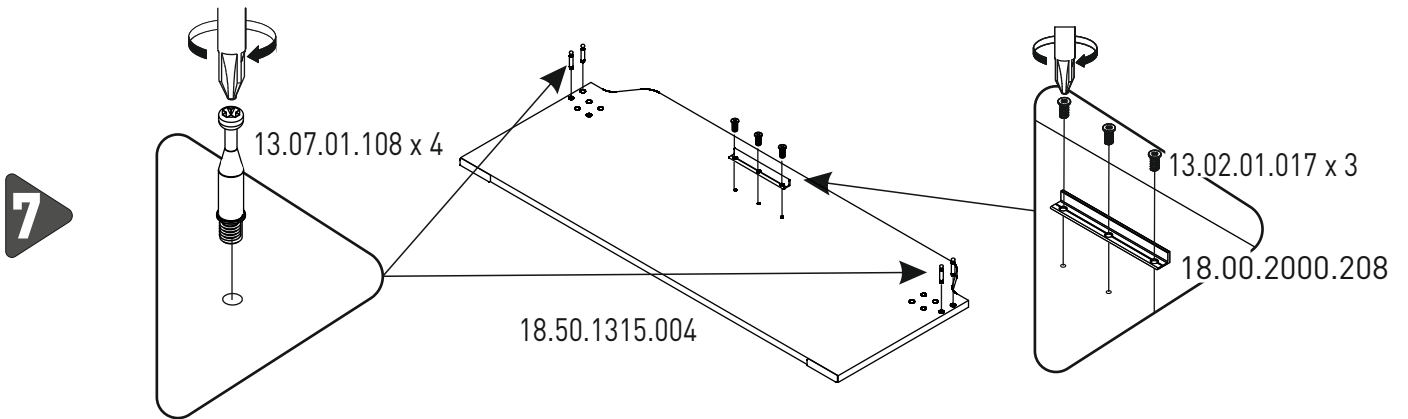
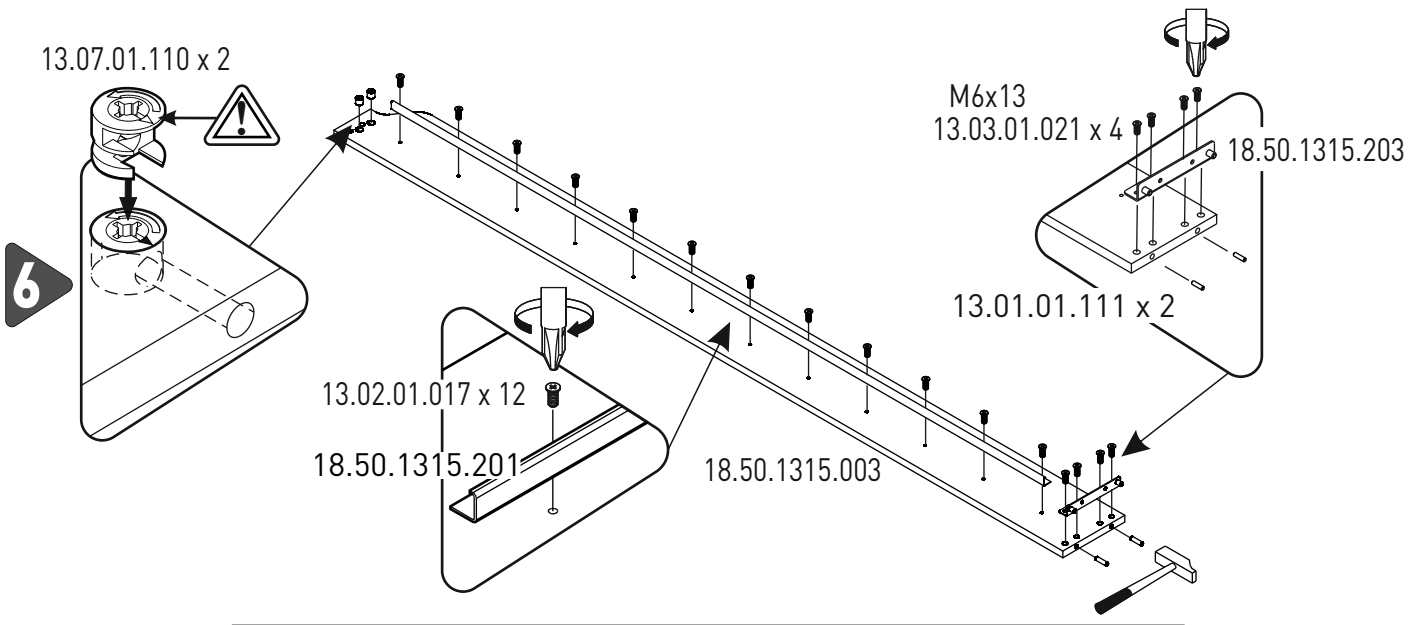


4

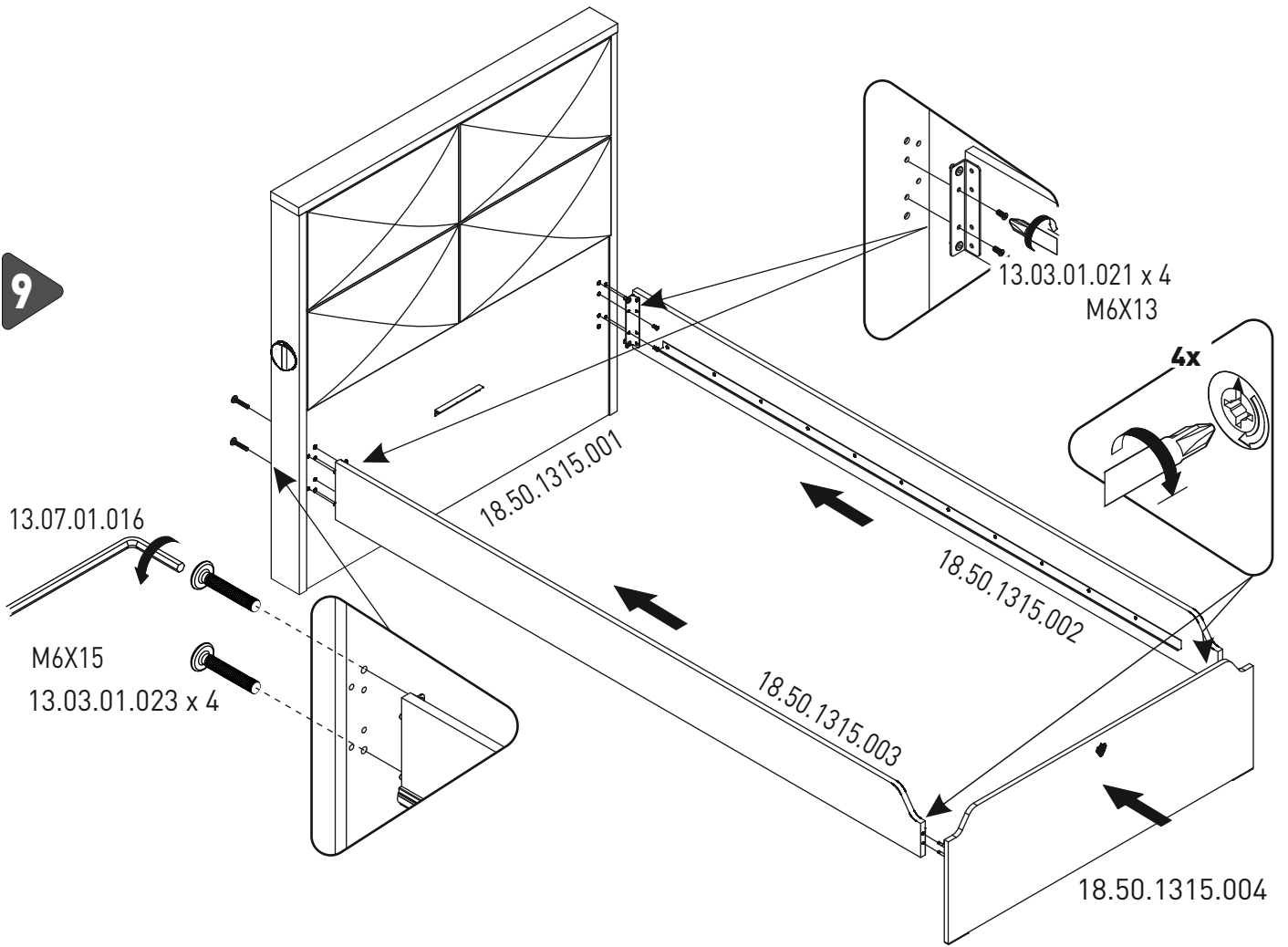


5

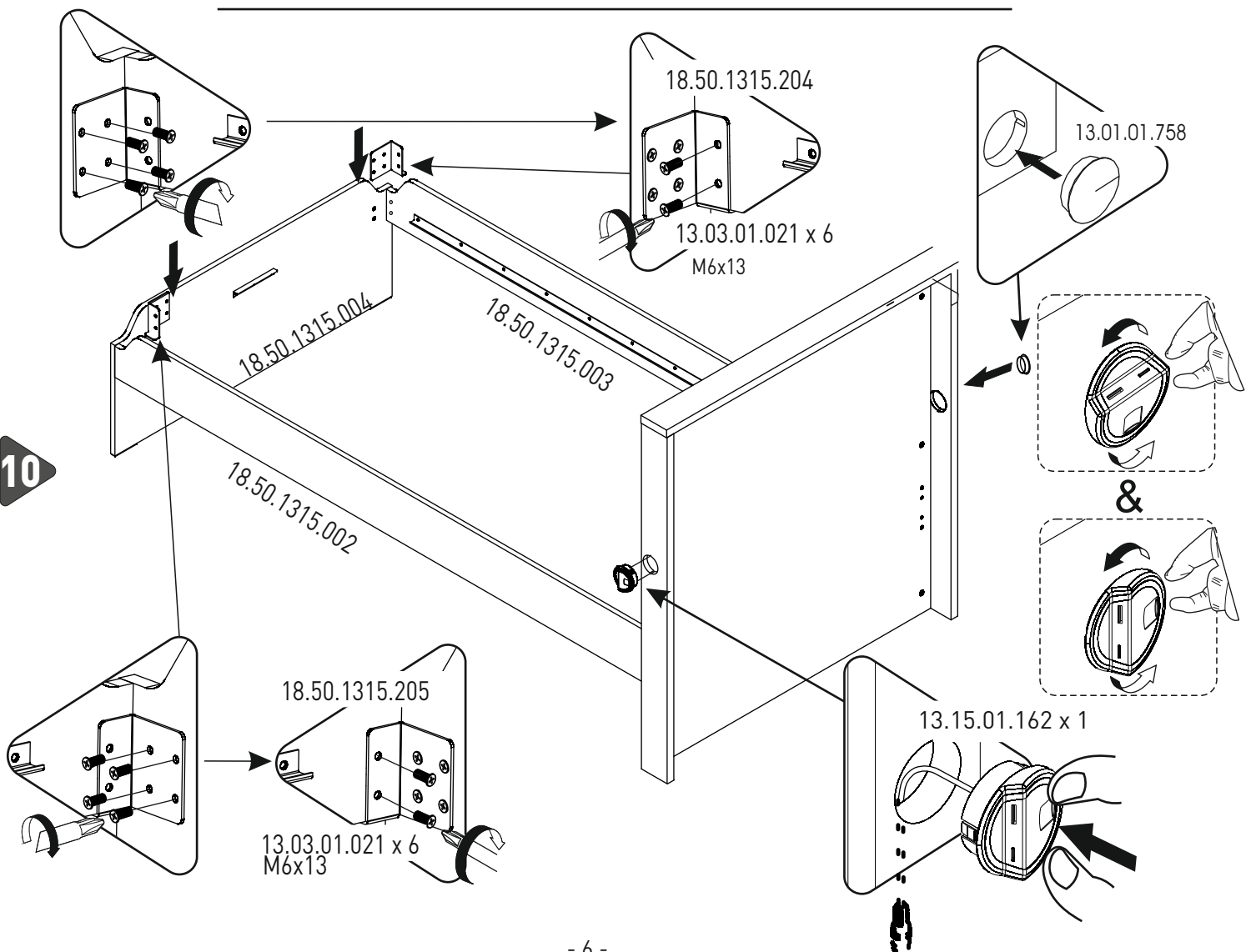




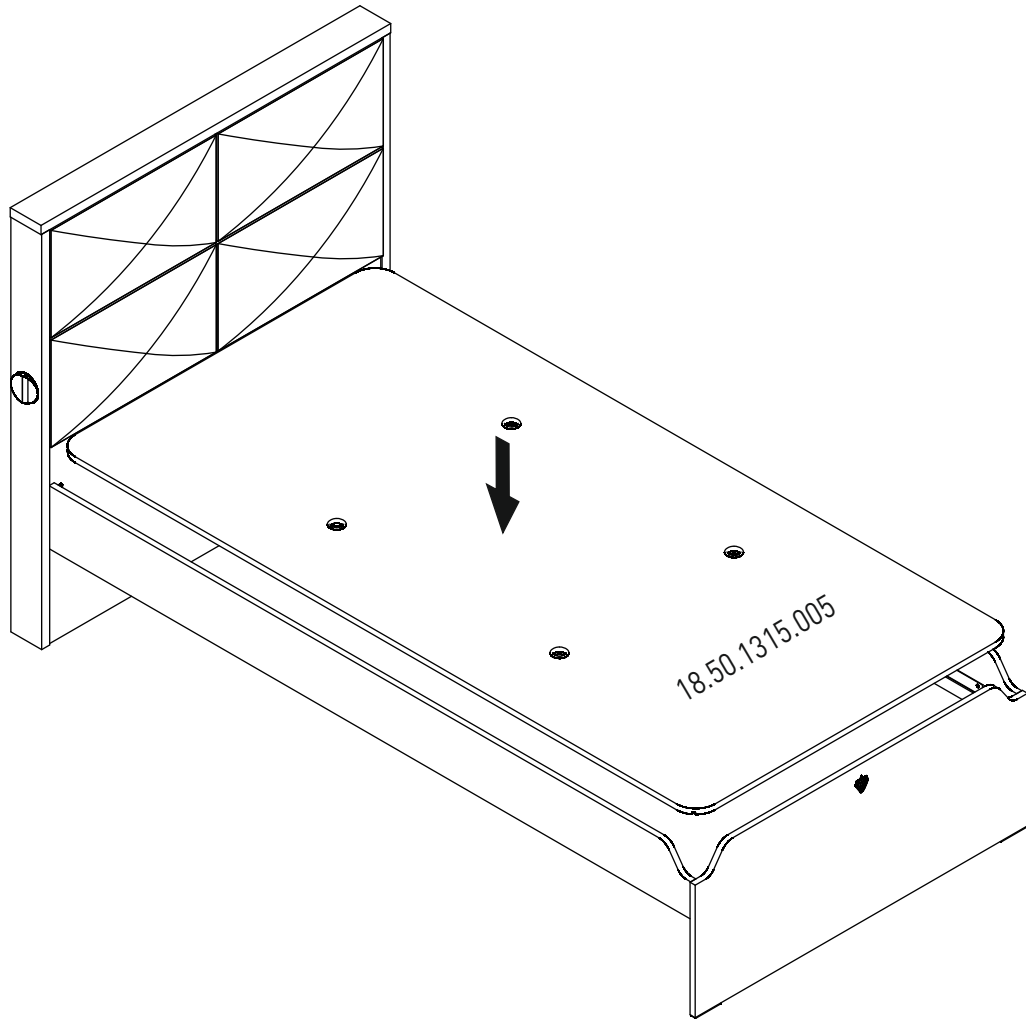
9



10



11



12

