

# 20.50.1602.00

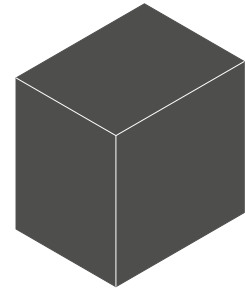
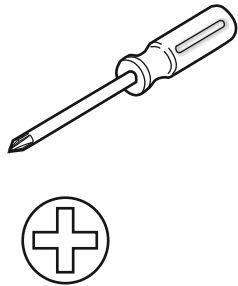
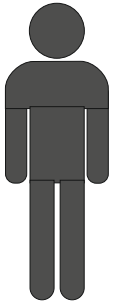


GARANTİ BELGESİ VE  
KULLANMA KILAVUZU

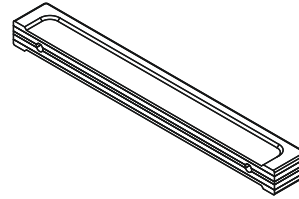
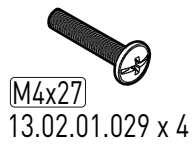


WARRANTY CERTIFICATE  
AND USER MANUAL





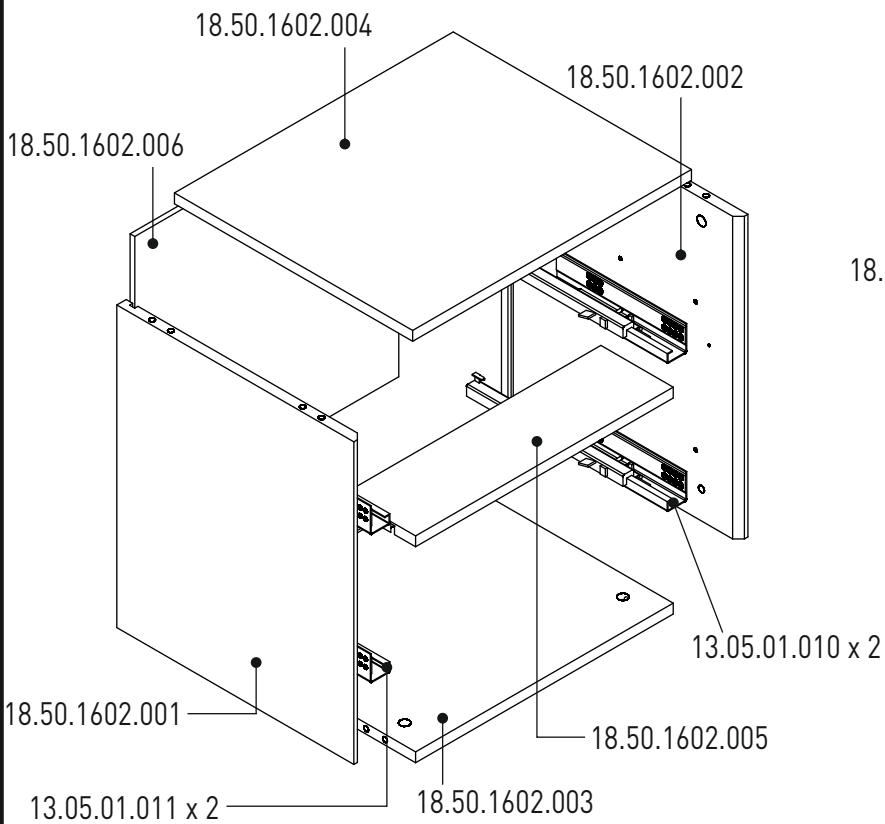
1 / 1



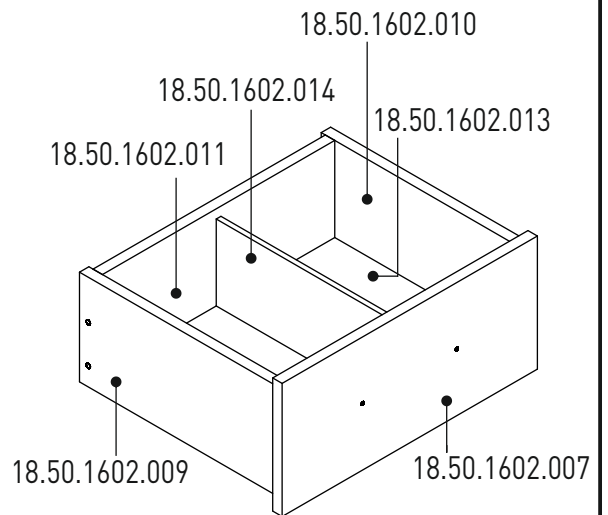
M4x27  
13.02.01.029 x 4

13.06.01.183 x 2

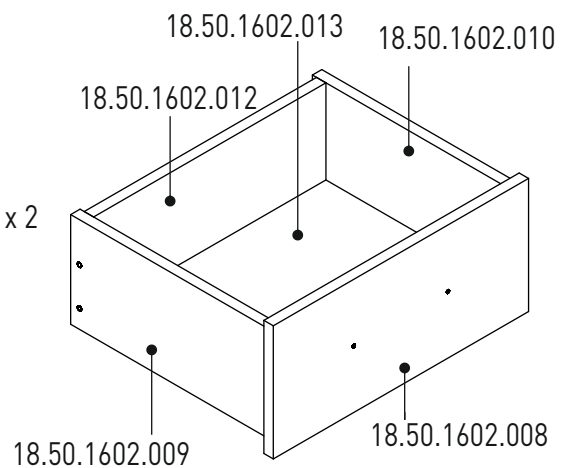
1 / 1



**18.50.1602.017 x 1**



**18.50.1602.015 x 1**



**18.50.1602.016 x 1**

1

