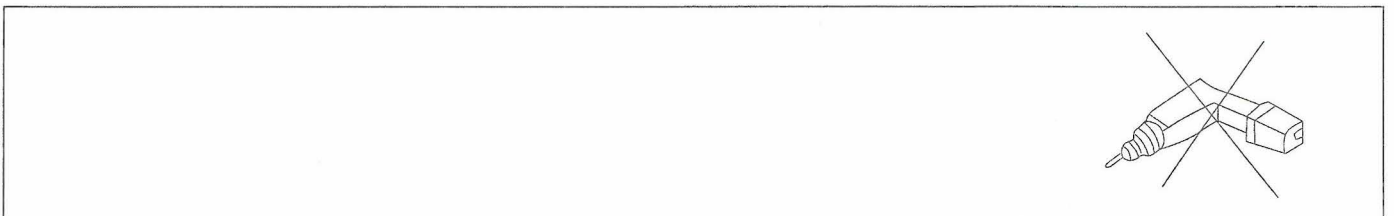
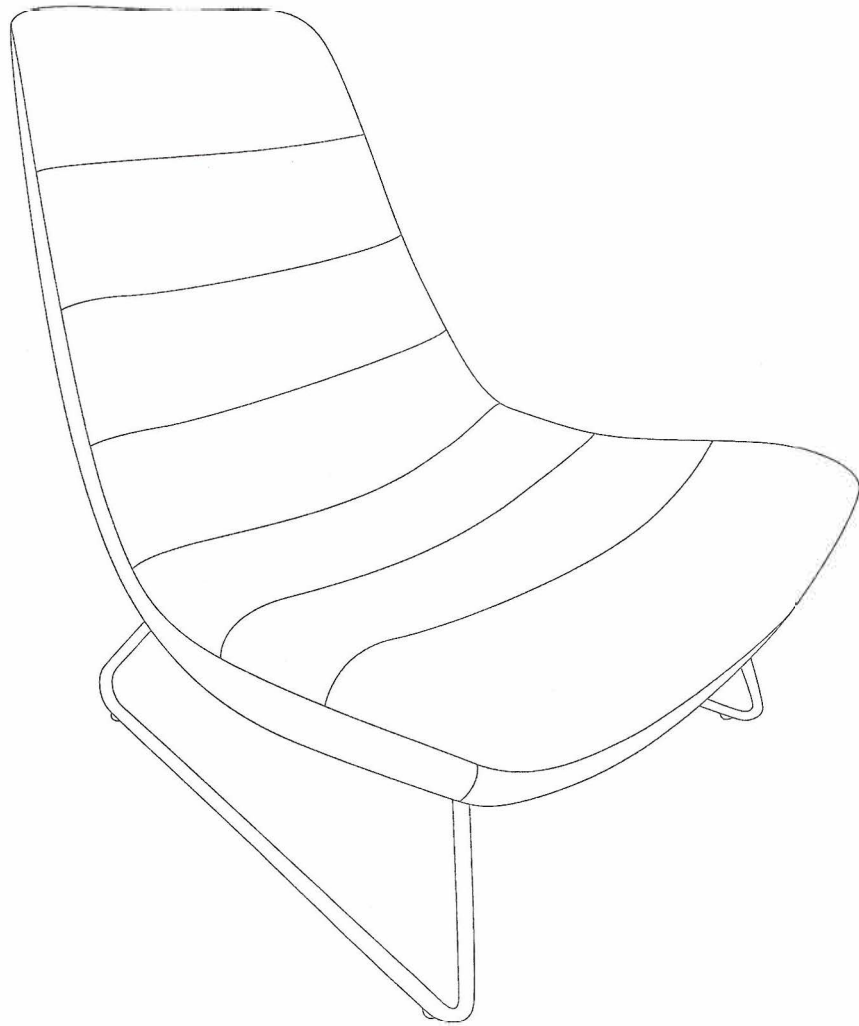
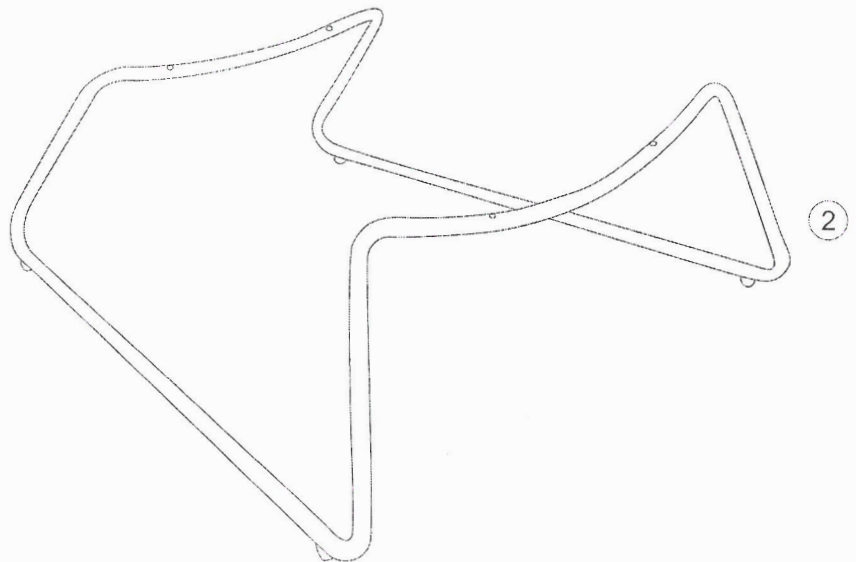
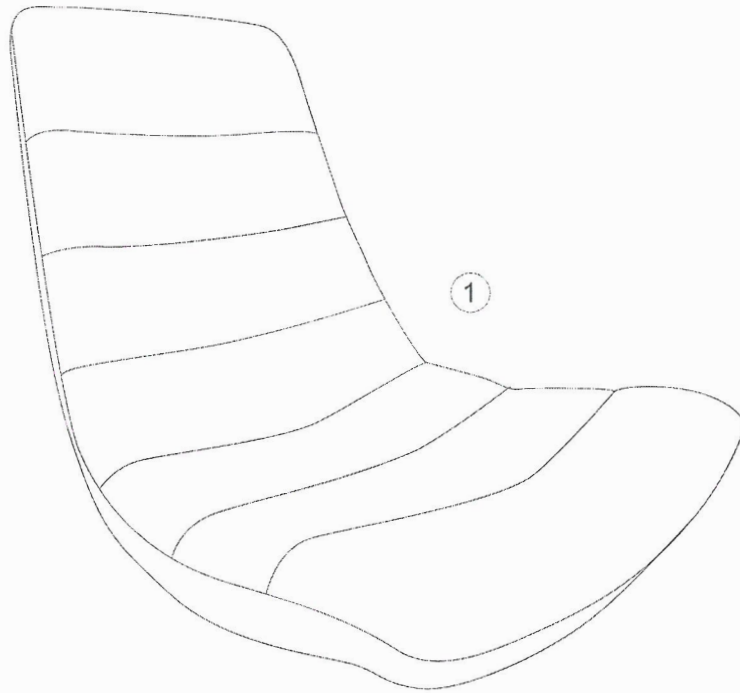
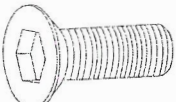



# MILFORD

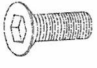



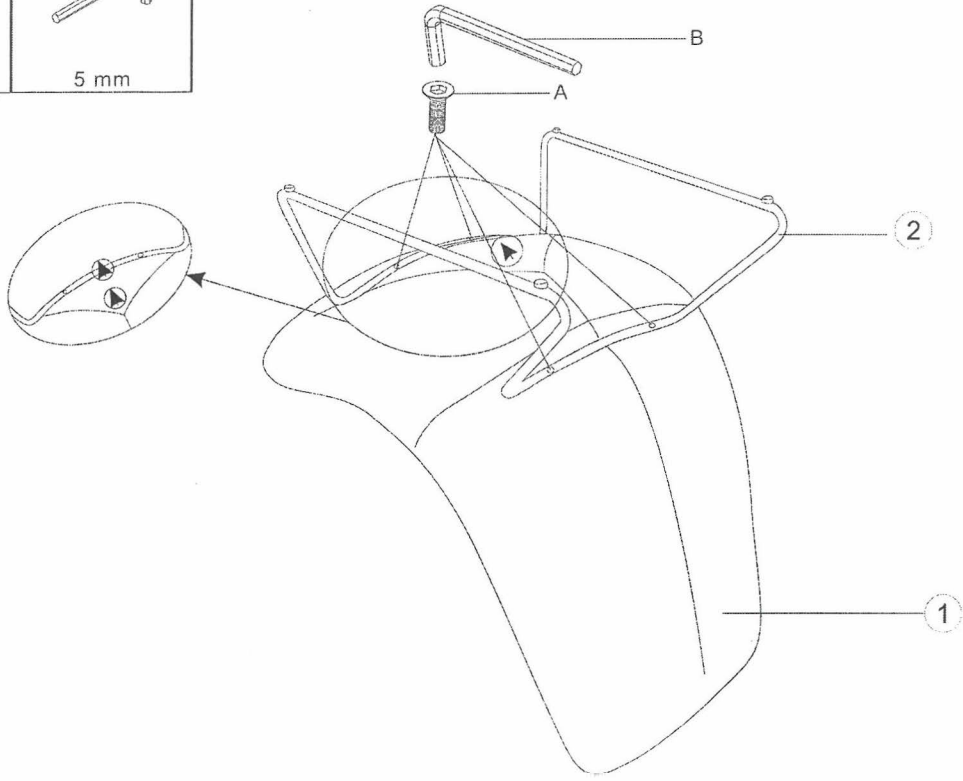
			√
①	1	1100x825x550	
②	1	760x690x285	



Ax4	Bx1
	
M6x40 mm	5 mm

# 1

Ax4  M6x40 mm	Bx1  5 mm
--	--



# 2

