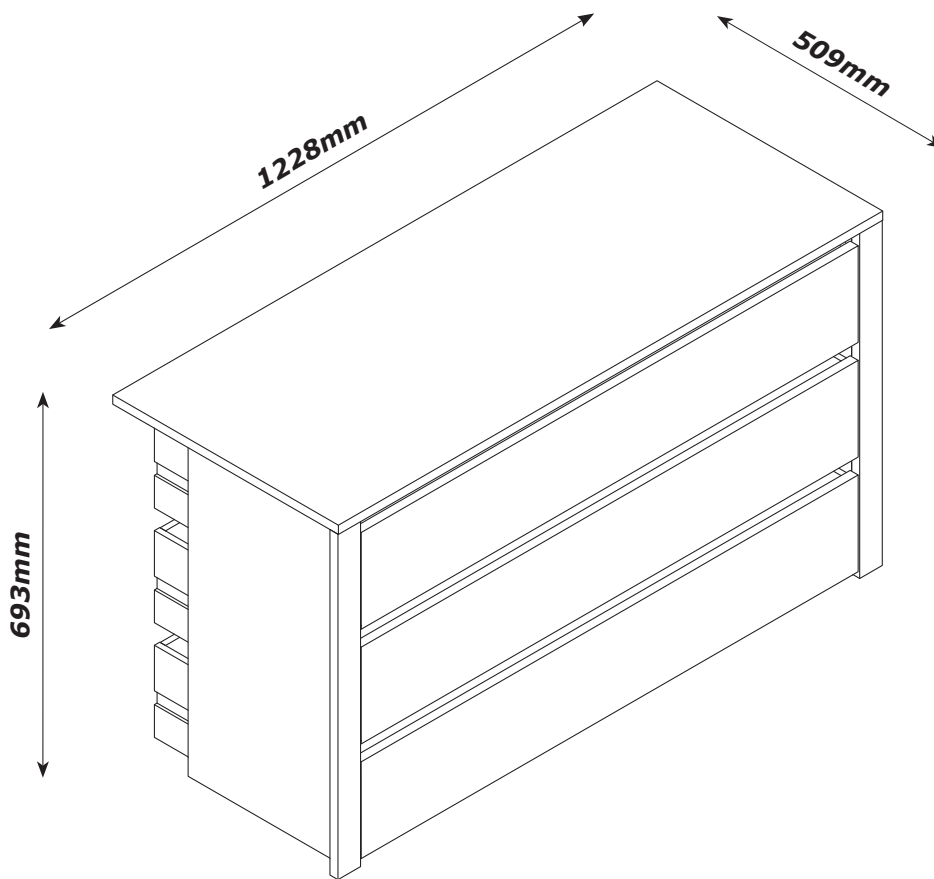


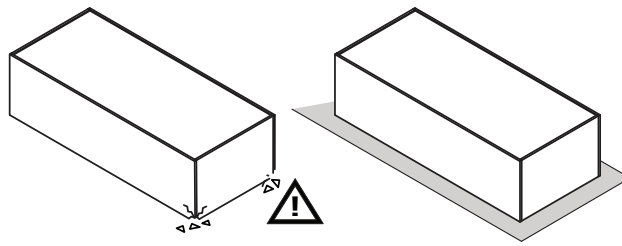
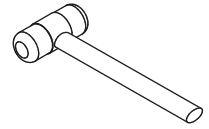
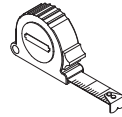
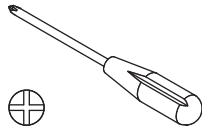
CT8984K76704



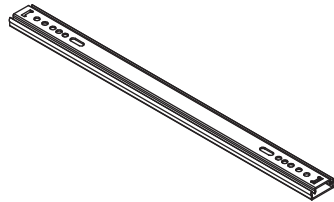
QF5536-1



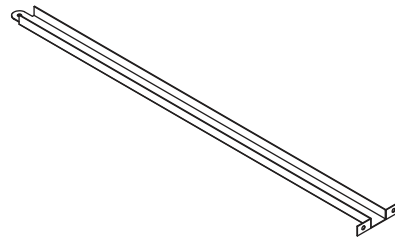
1,5h



BU4644



A34
x6

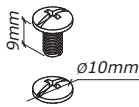


W420
x3

BU4640



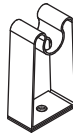
H54
x12



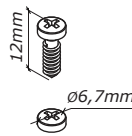
V38
x6



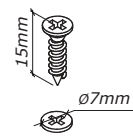
T98
x6



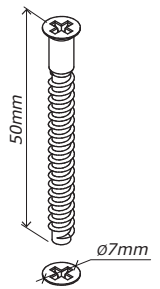
H89
x4



V98
x13



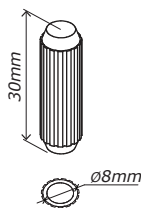
V5
x26



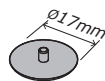
V130
x12



T67
x4



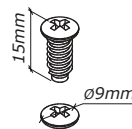
H1
x4



G136
x6



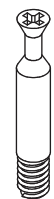
R56
x2



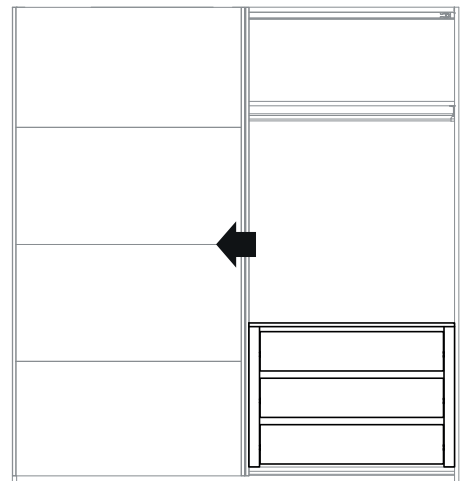
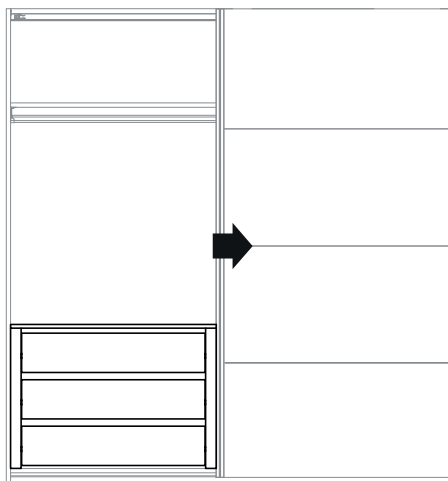
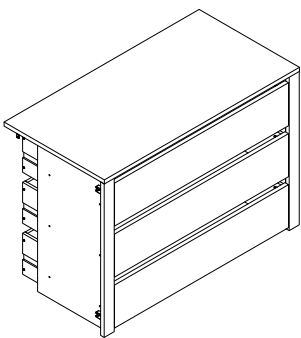
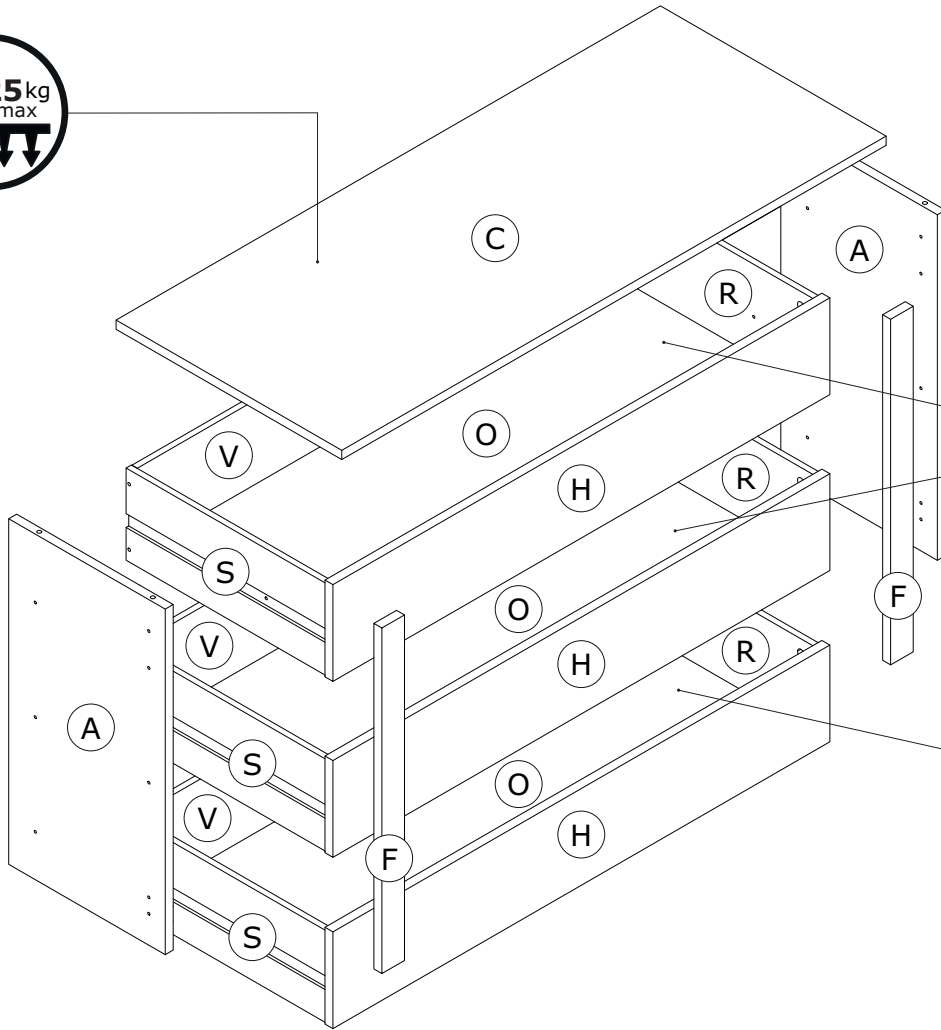
V10
x2

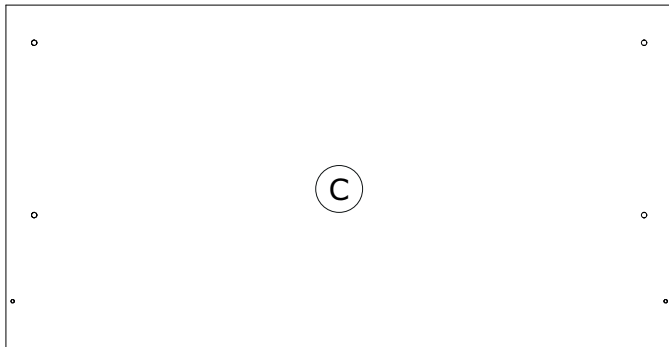


H2
x12

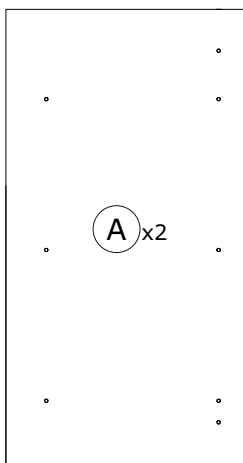


T28
x6

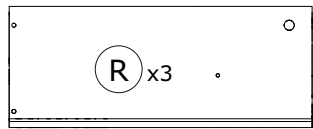




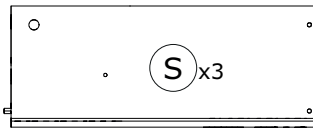
PI7341
1228x509x18mm



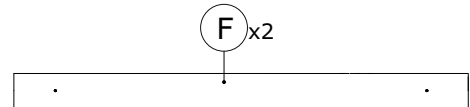
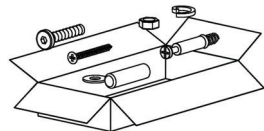
FI9013
675x353x18mm



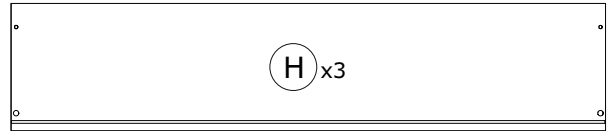
OS0407
450x180x12mm



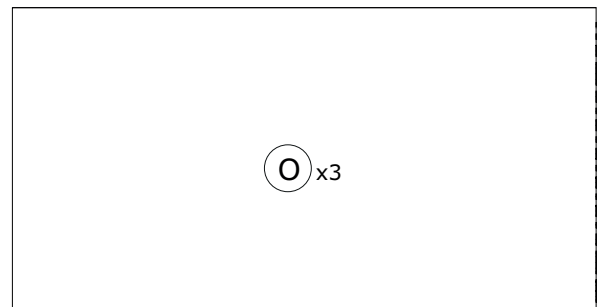
OS0408
450x180x12mm



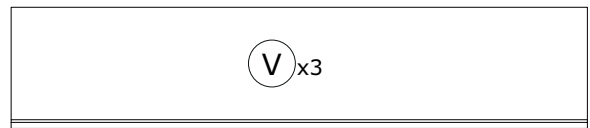
FS4268
675x51x18mm



CS3789
1121x189x18mm

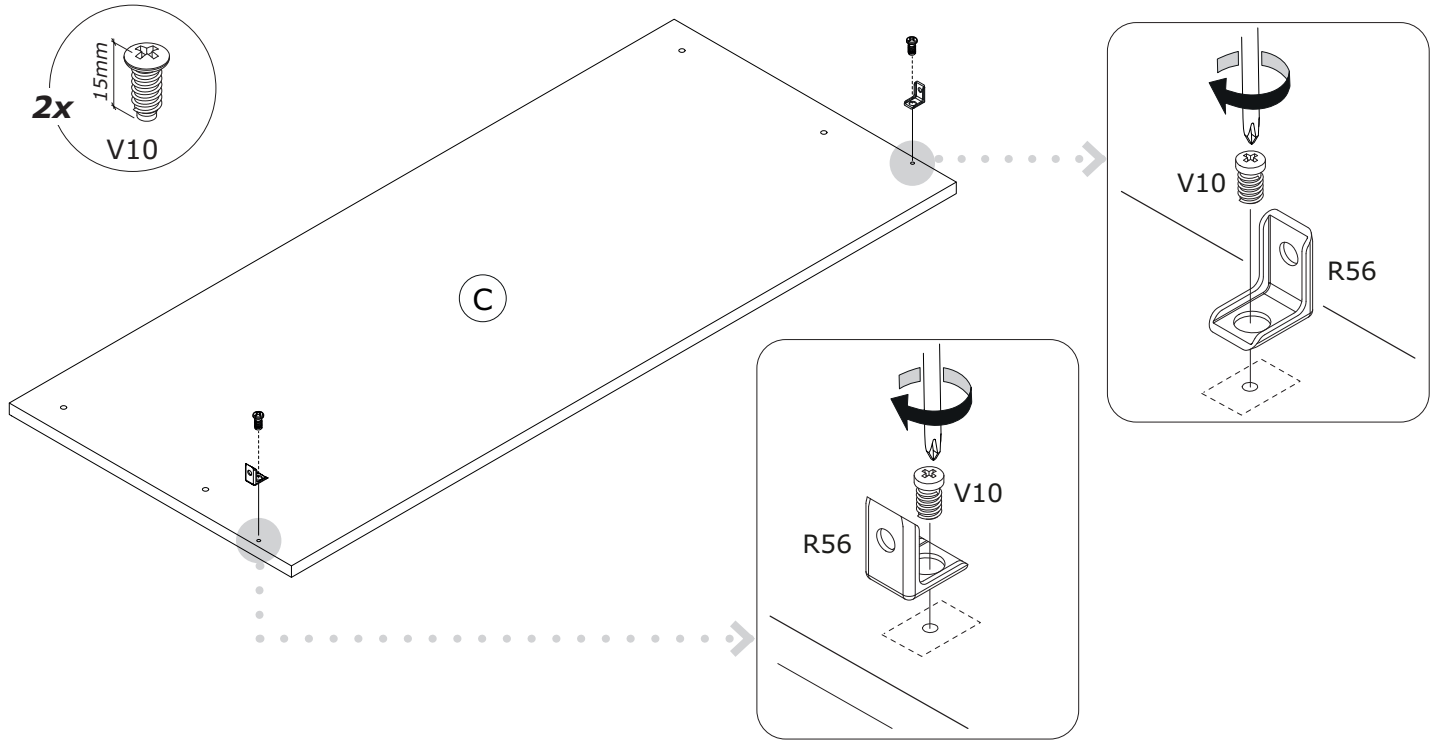
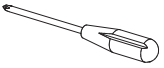


SH3541
1105x450x2mm

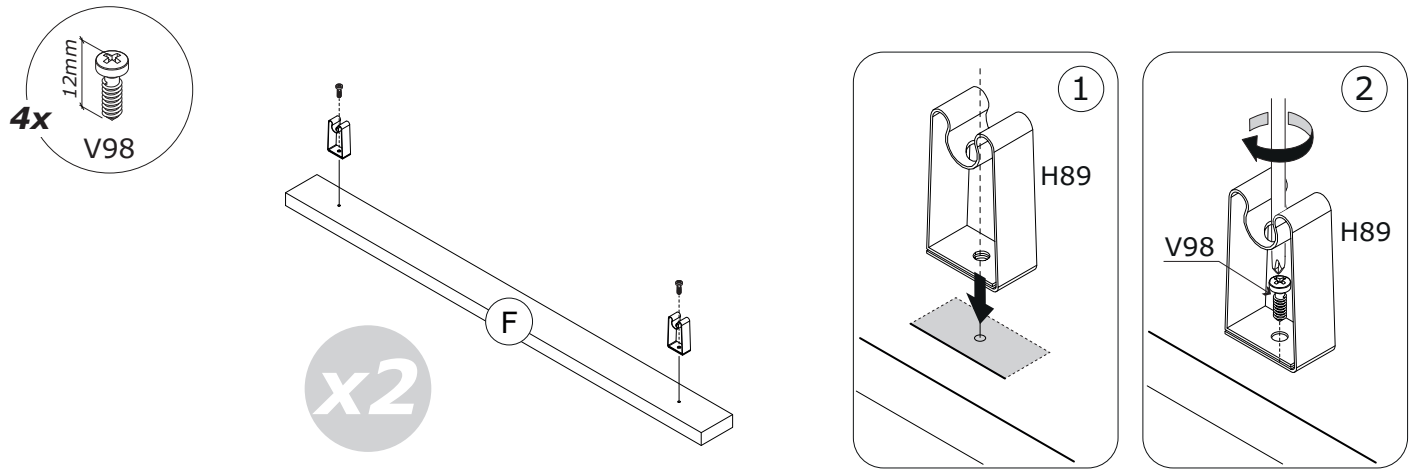
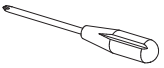


OS0411
1094x180x12mm

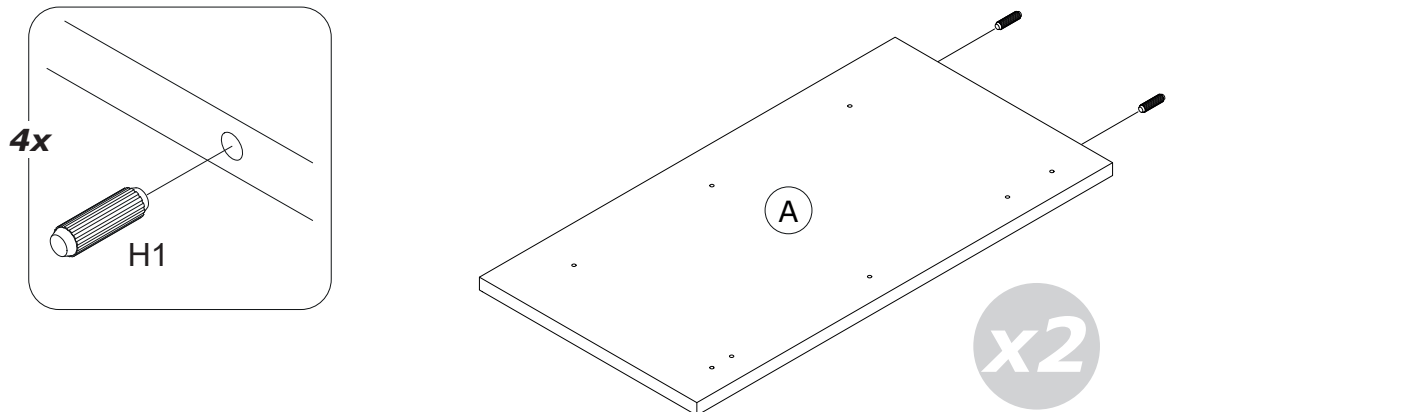
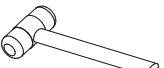
1



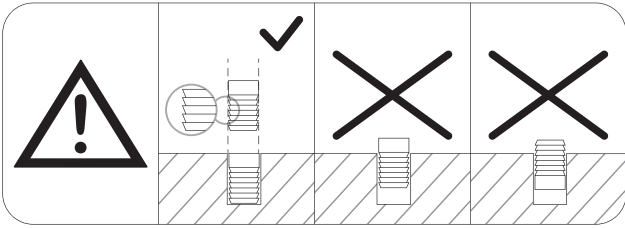
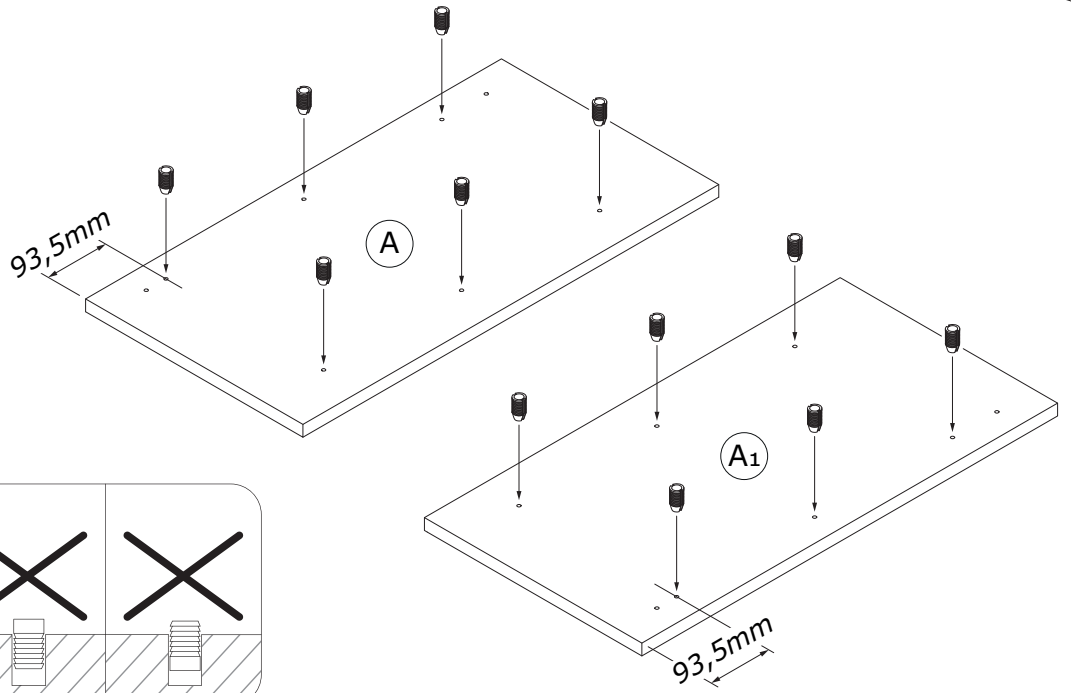
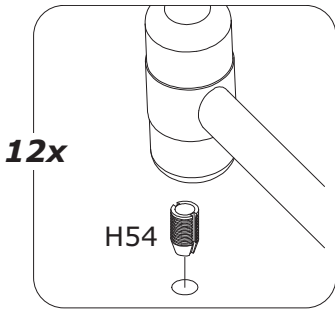
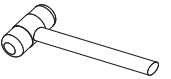
2



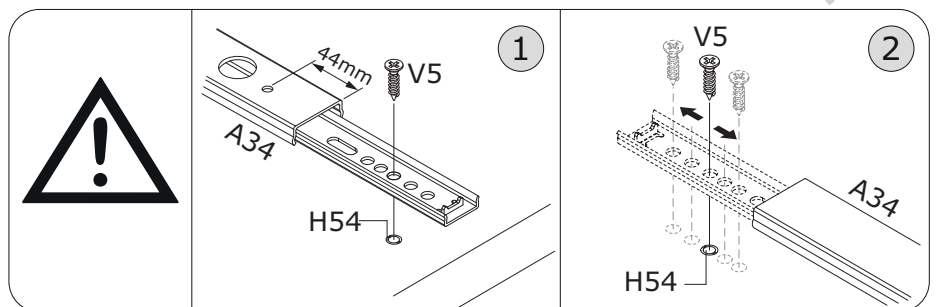
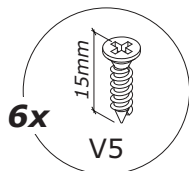
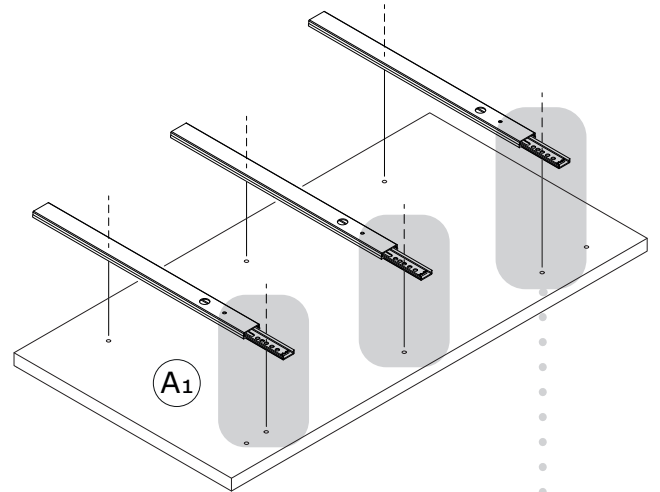
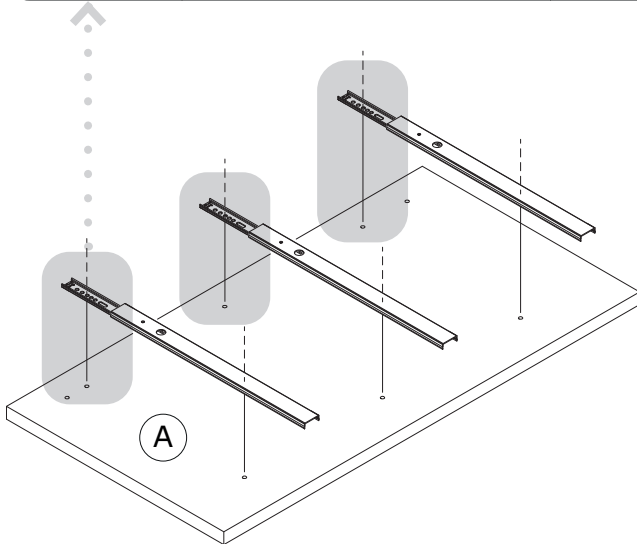
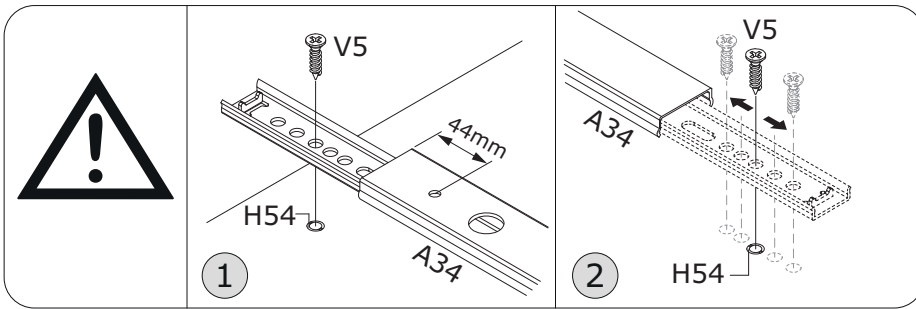
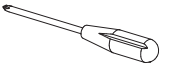
3

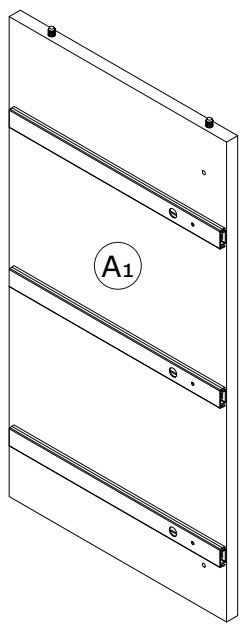
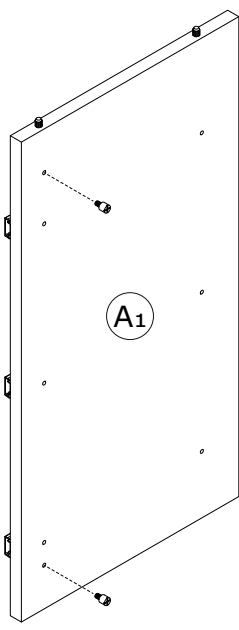
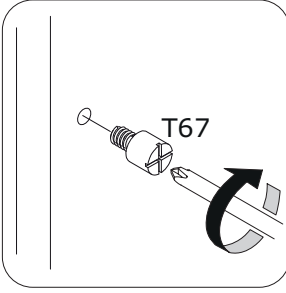
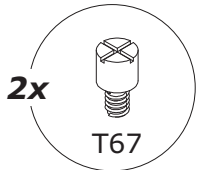
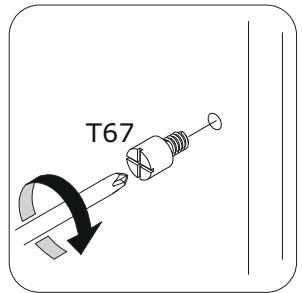
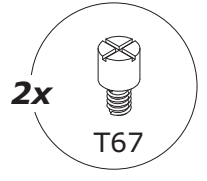
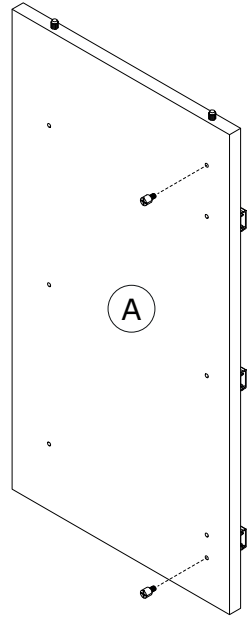
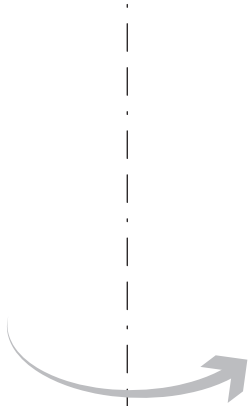
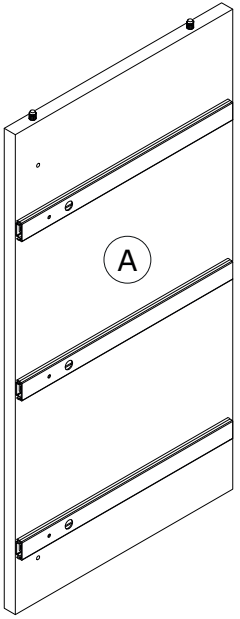
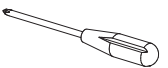


4

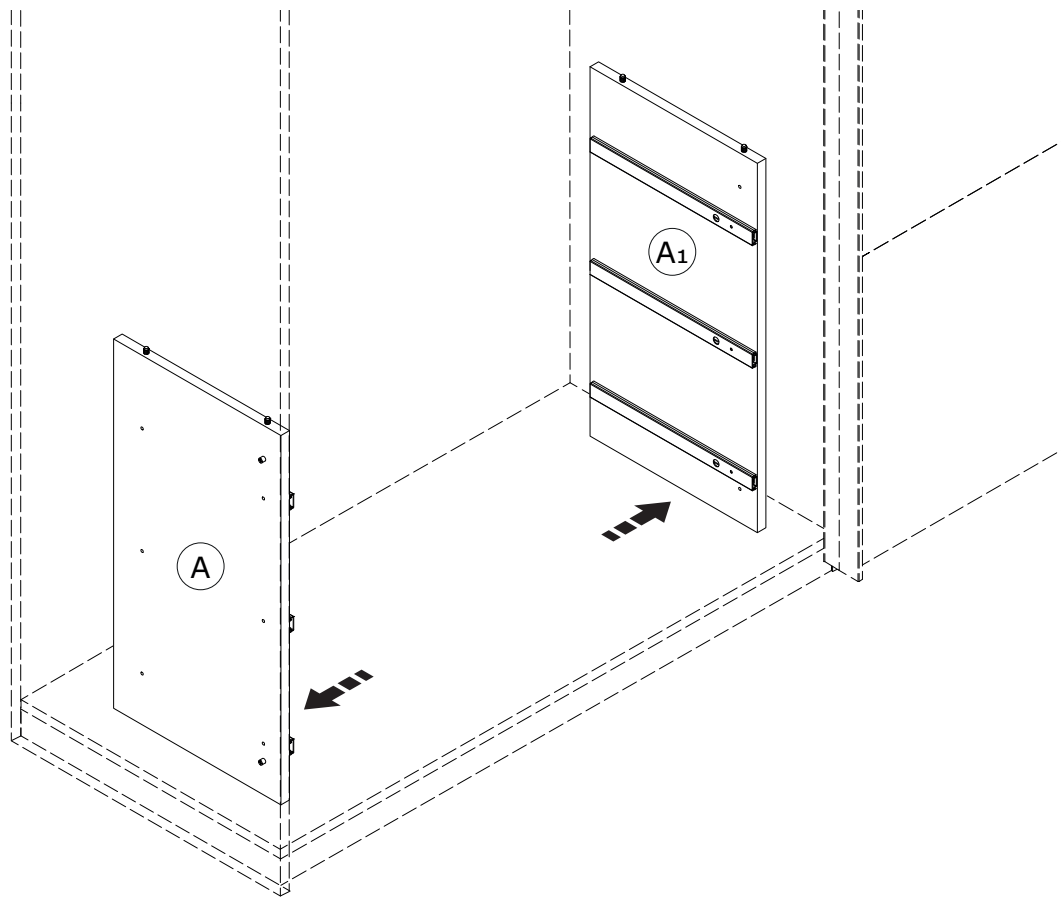


5

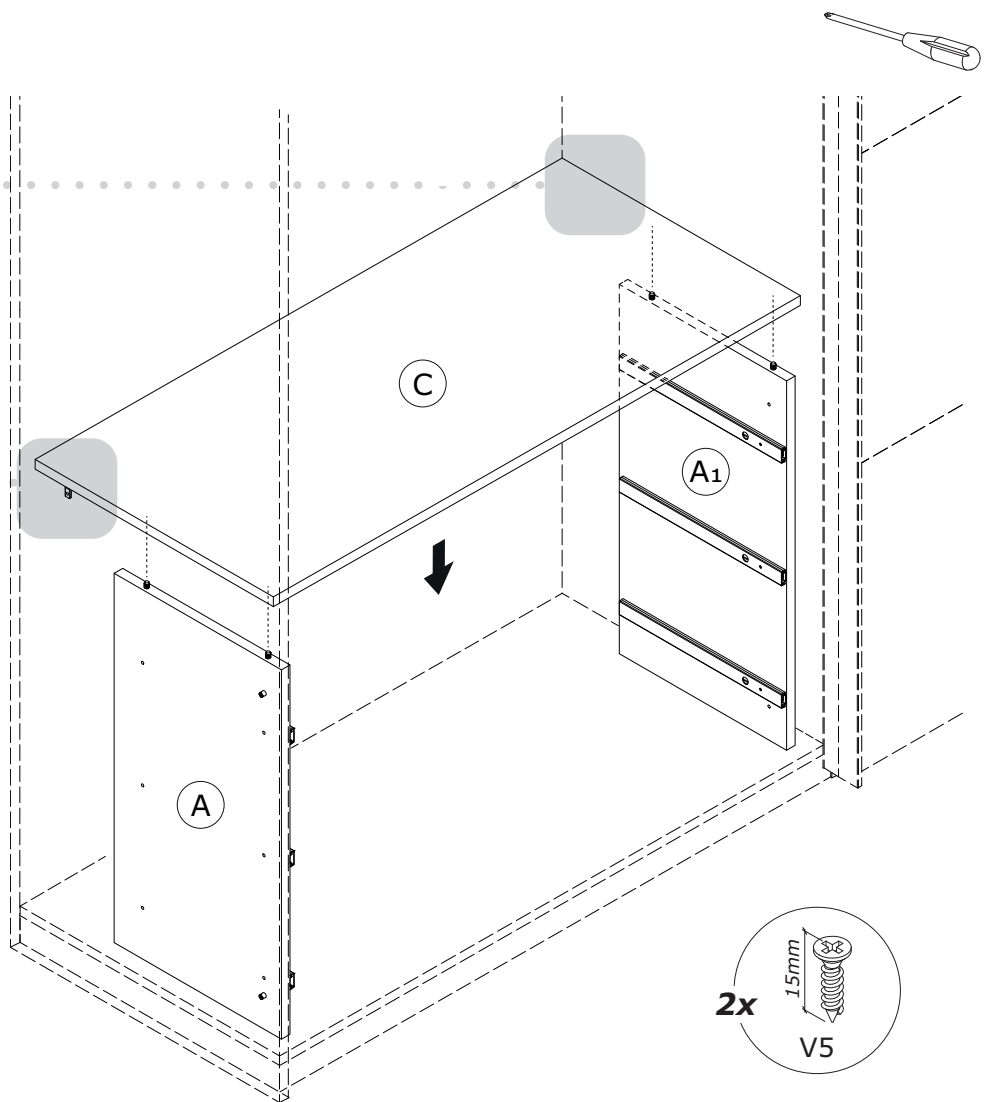
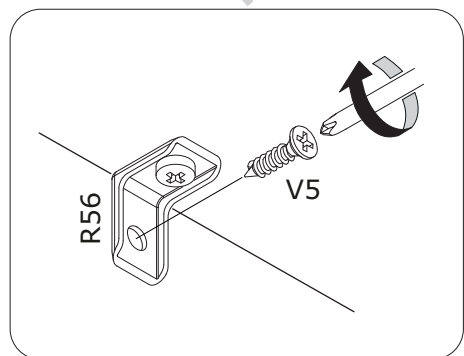
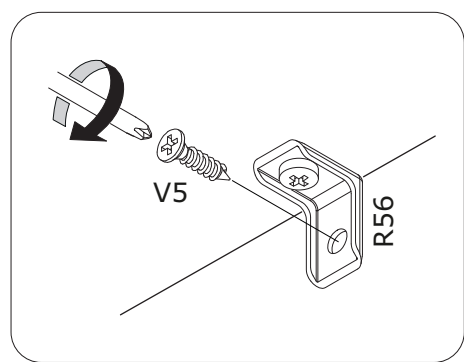




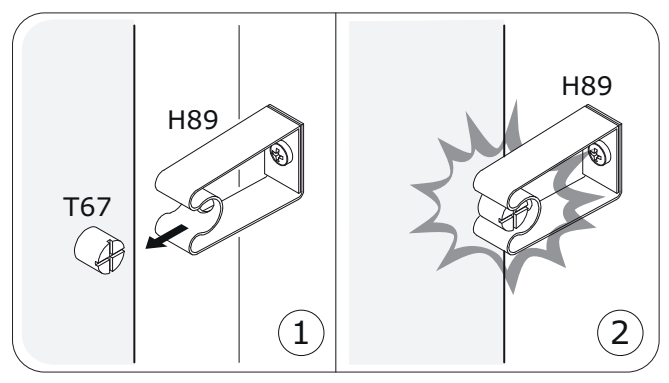
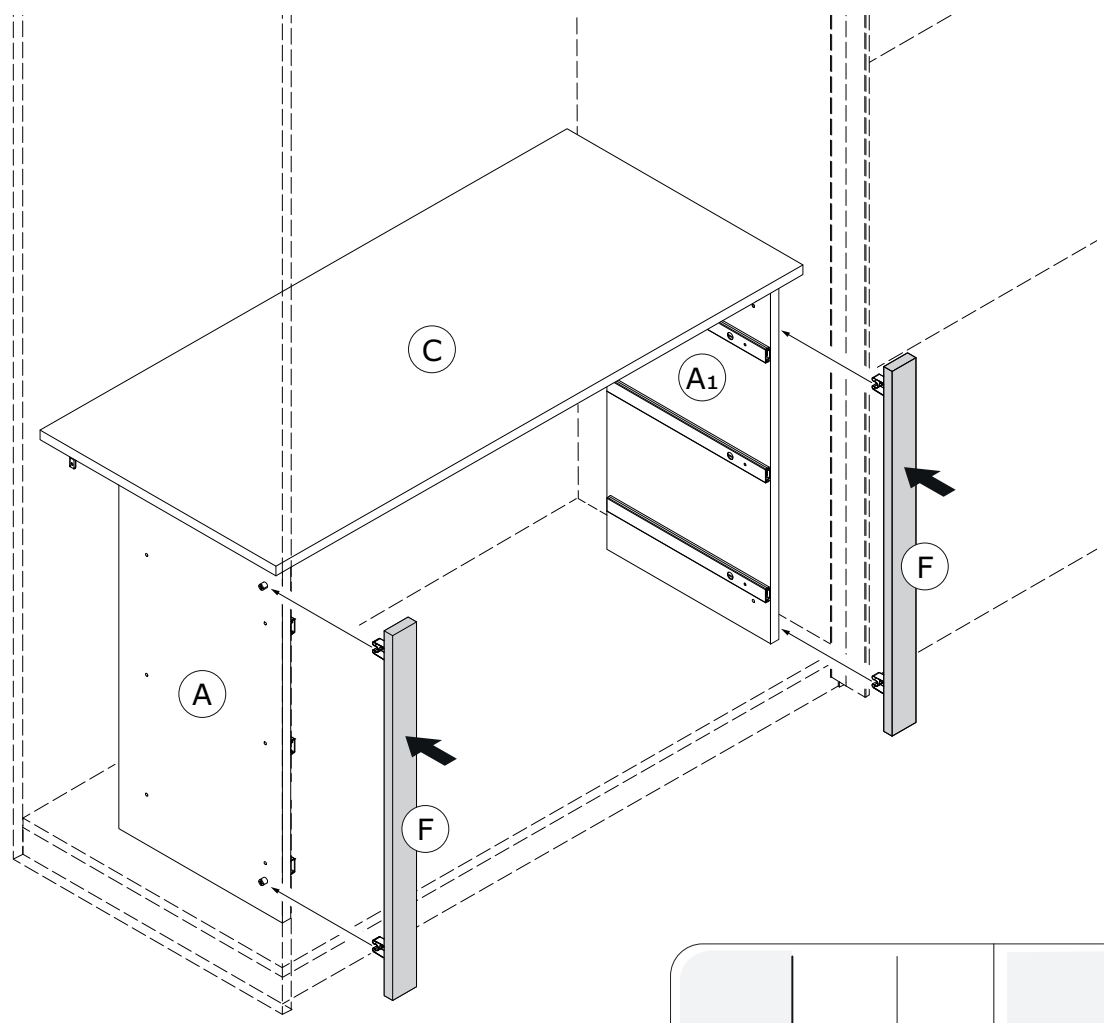
7



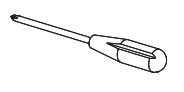
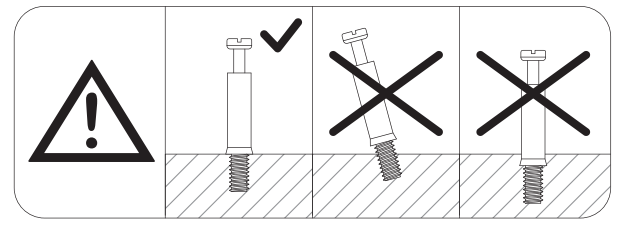
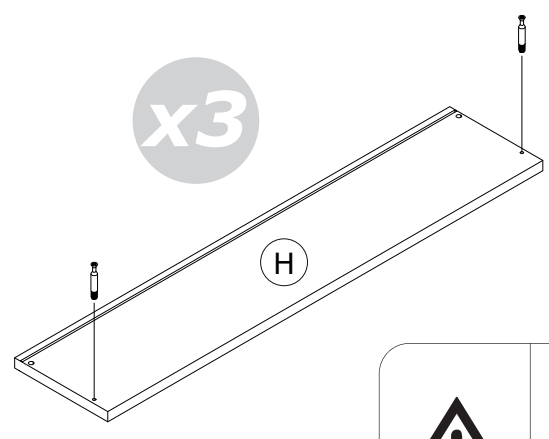
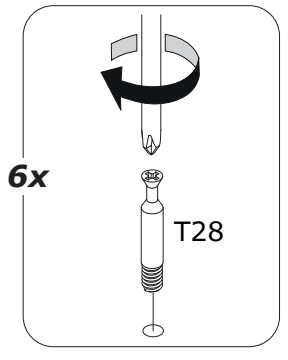
8

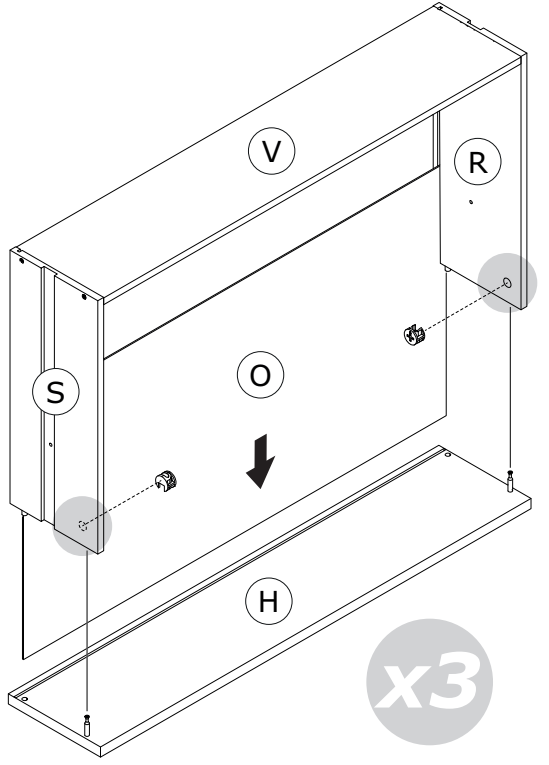
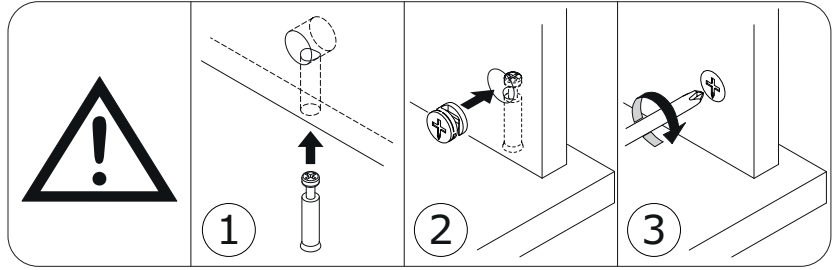
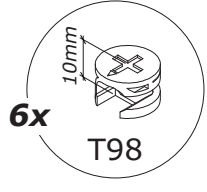
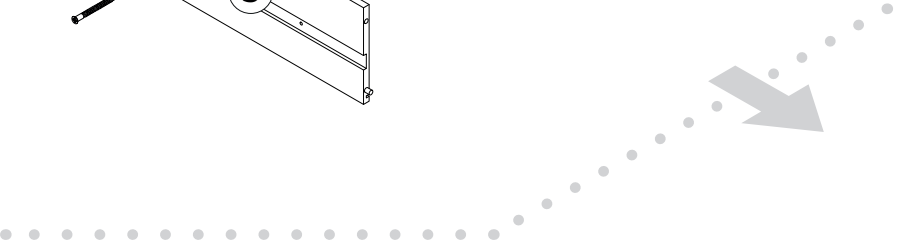
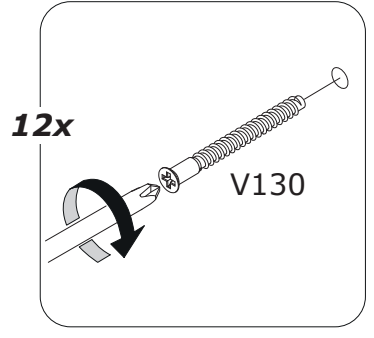
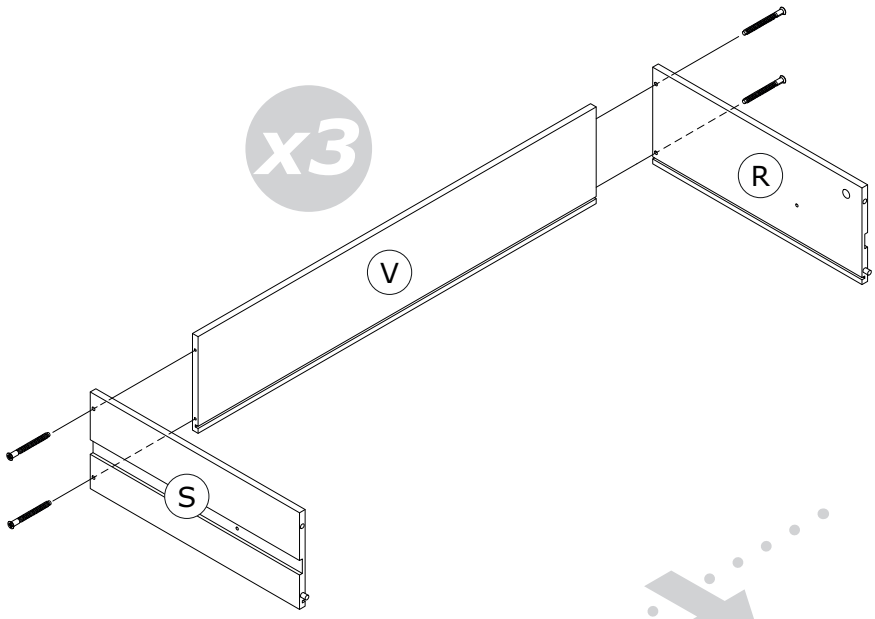
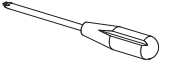


9

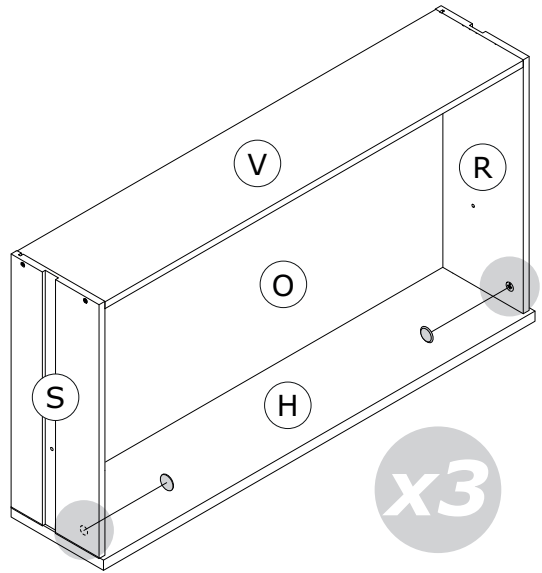


10

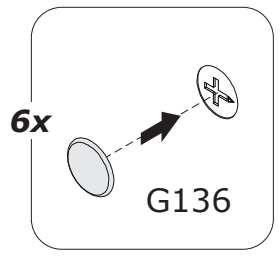




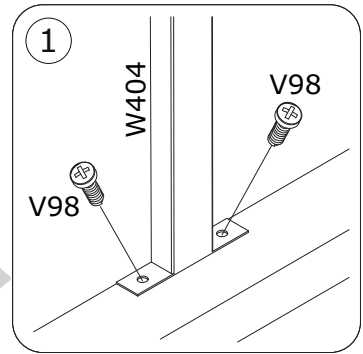
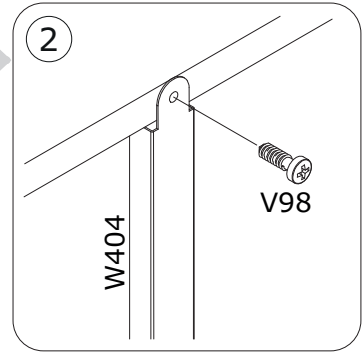
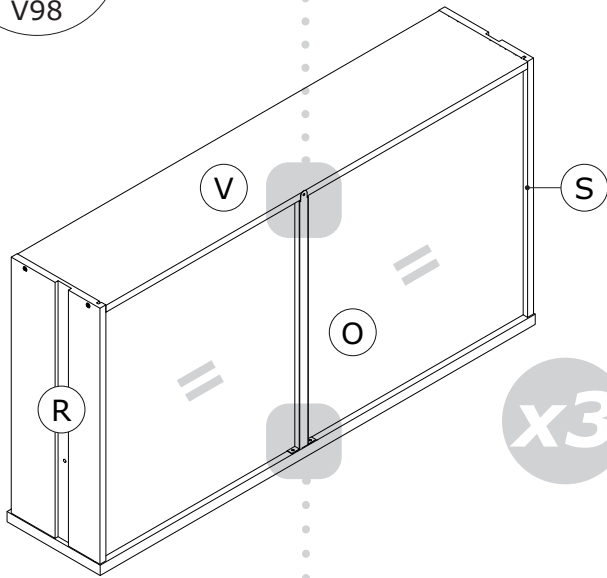
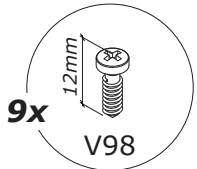
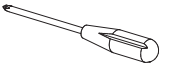
x3



x3



12



13

