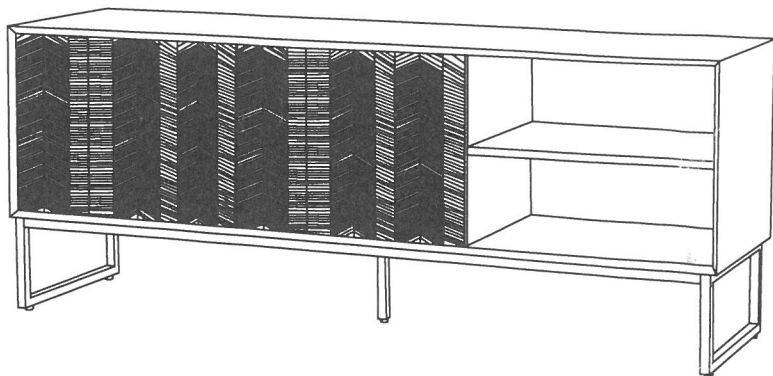


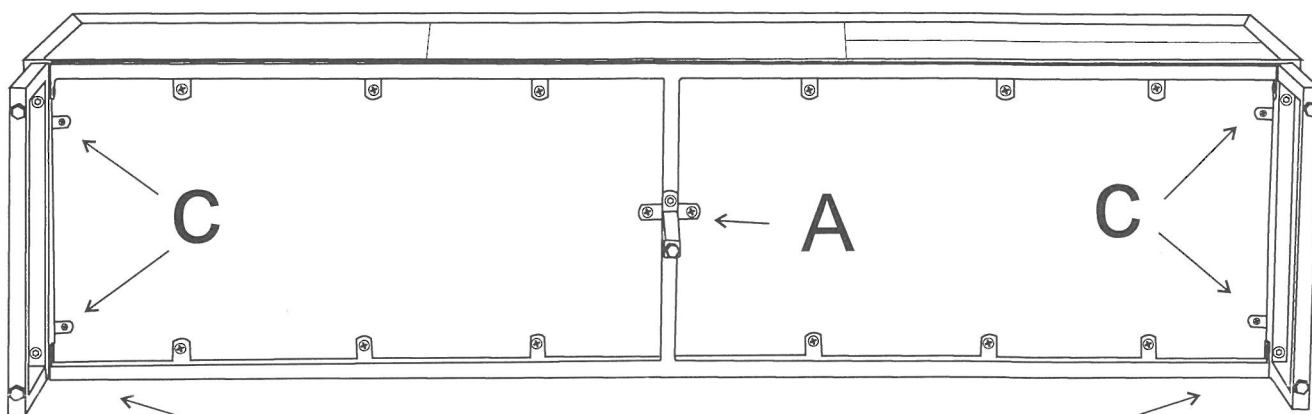
Art. No.69421



15 Min

A **B** **C**

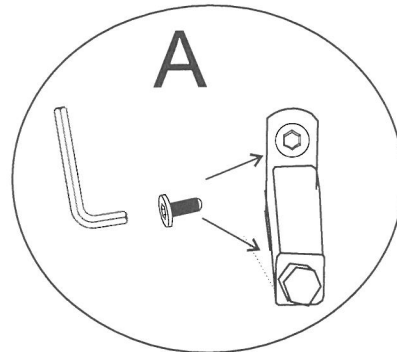
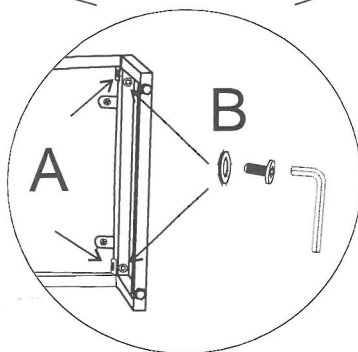
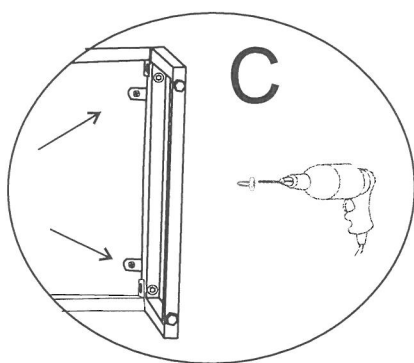
(6x16mm) (6x30mm) (5x16mm) (4x16mm)
(6 Pcs.) (4 Pcs.) (4 Pcs.) (1 Pcs.) (4 Pcs.)



Step 2

Step 1

Step 3



Assembled Product

