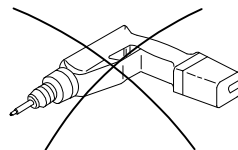
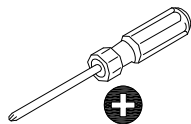
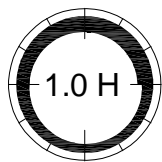
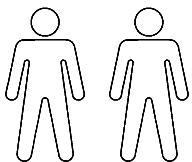
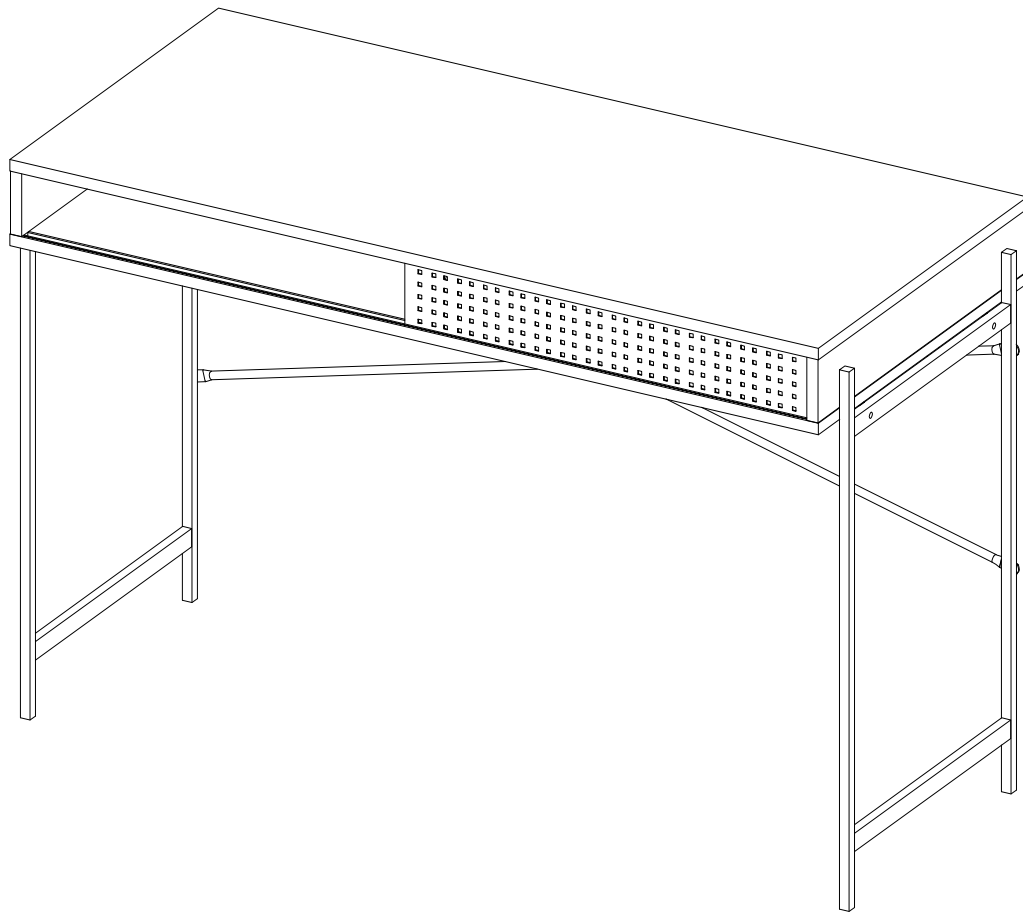


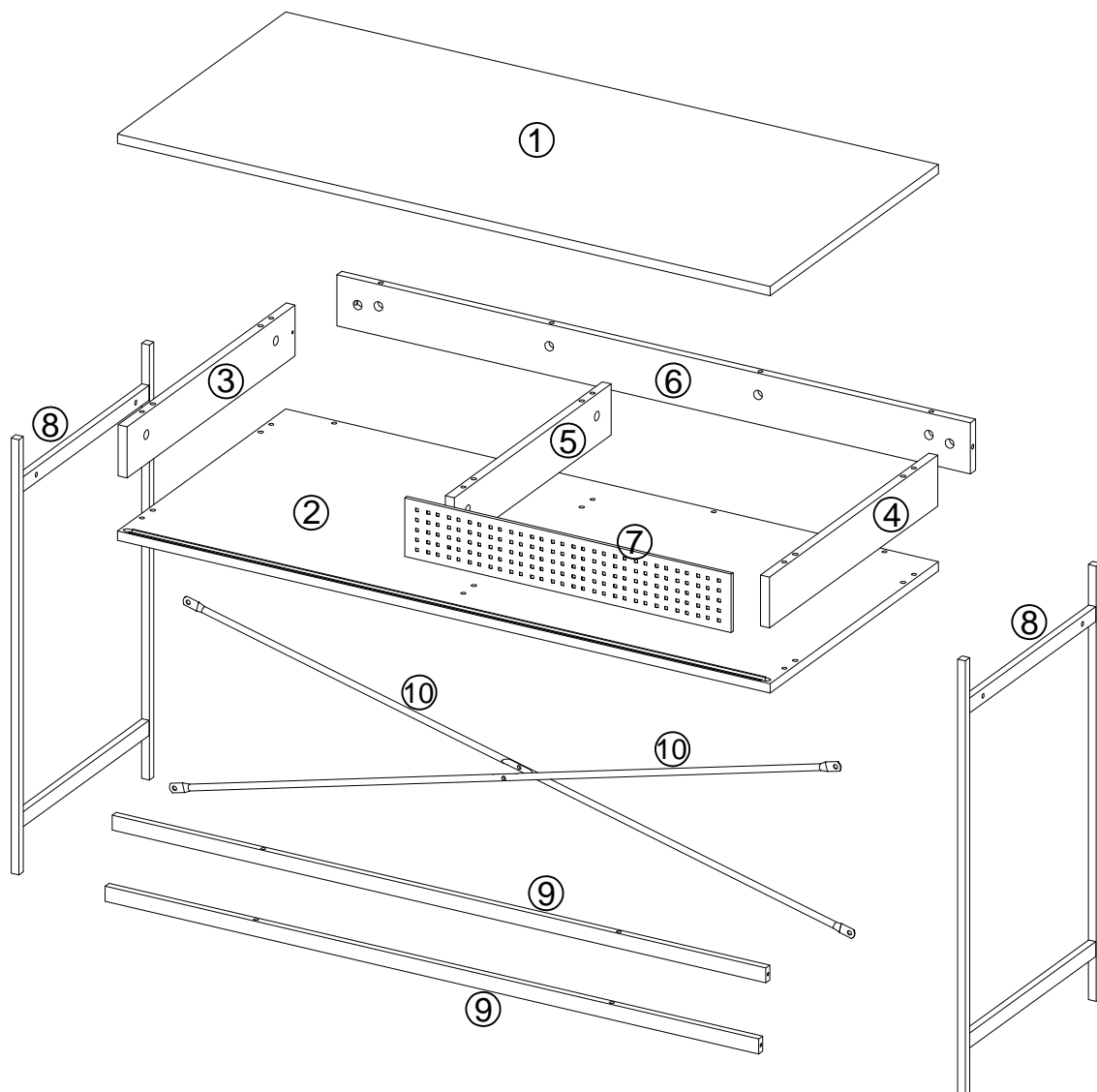
Angus

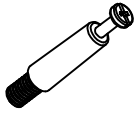



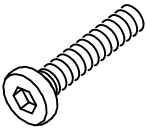




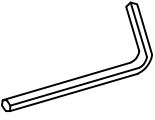


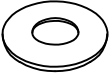



05/11/2020


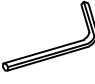
			✓
①	1	1100x500x15	
②	1	1100x500x15	
③	1	499x82x15	
④	1	499x82x15	
⑤	1	466x82x15	

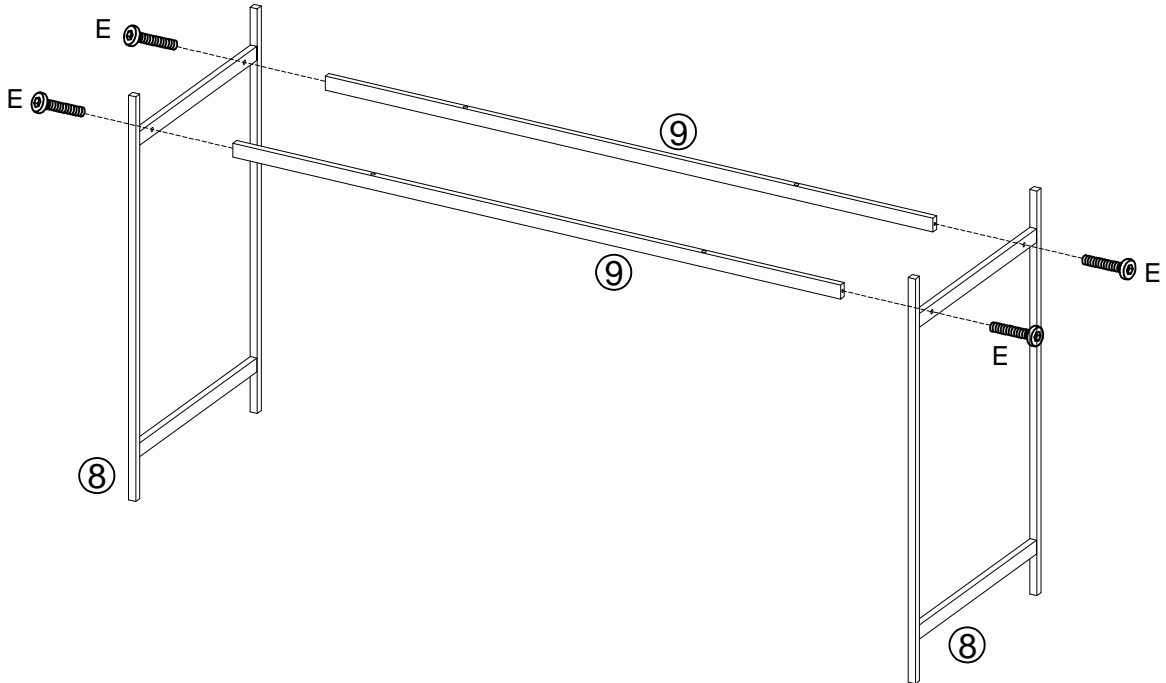
			✓
⑥	1	1068x82x15	
⑦	1	550x94x6	
⑧	2	700x401x13	
⑨	2	1102x24x12	
⑩	2	1166x10x10	








<p>A x 12</p>  <p>M6 x 45</p>	<p>B x 12</p>  <p>Ø15 x 12mm</p>	<p>C x 12</p>  <p>Ø8 x 30mm</p>	<p>D x 10</p>  <p>M7 x 38</p>	<p>E x 8</p>  <p>M6 x 35</p>
<p>F x 4</p>  <p>M6 x 10</p>	<p>G x 1</p>  <p>M6 x 20</p>	<p>H x 1</p>  <p>M6</p>	<p>I x 1</p>  <p>M6</p>	<p>J x 1</p>  <p>4mm</p>
<p>K x 6</p> 	<p>L x 2</p>  <p>M4 x 12</p>	<p>M x 4</p>  <p>Ø16</p>	<p>N x 2</p>  <p>L=150mm</p>	

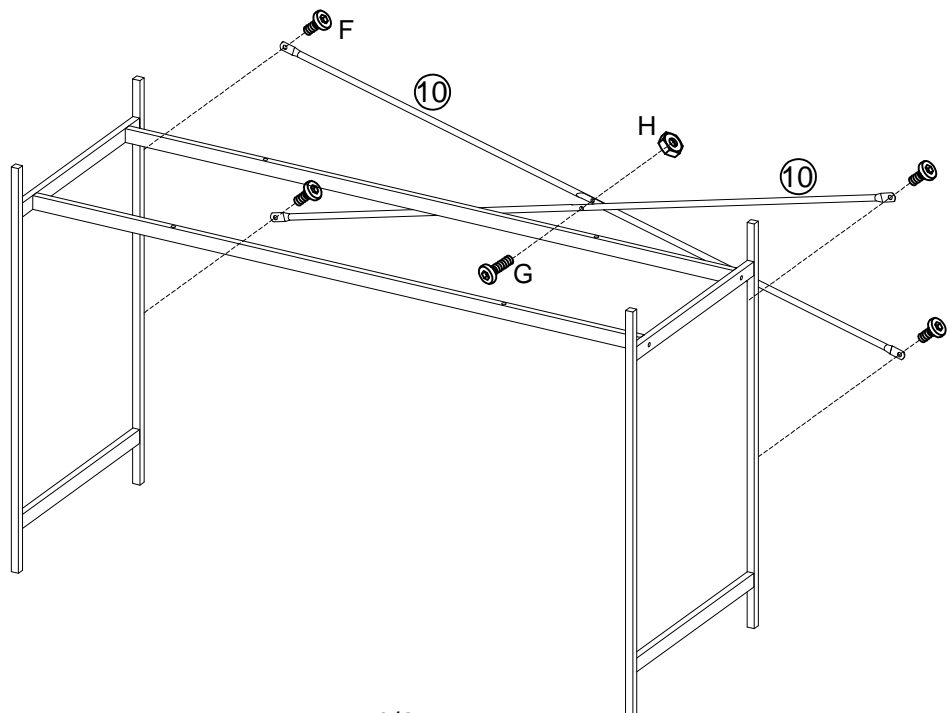
1

E x 4	J x 1
	
M6 x 35	4mm





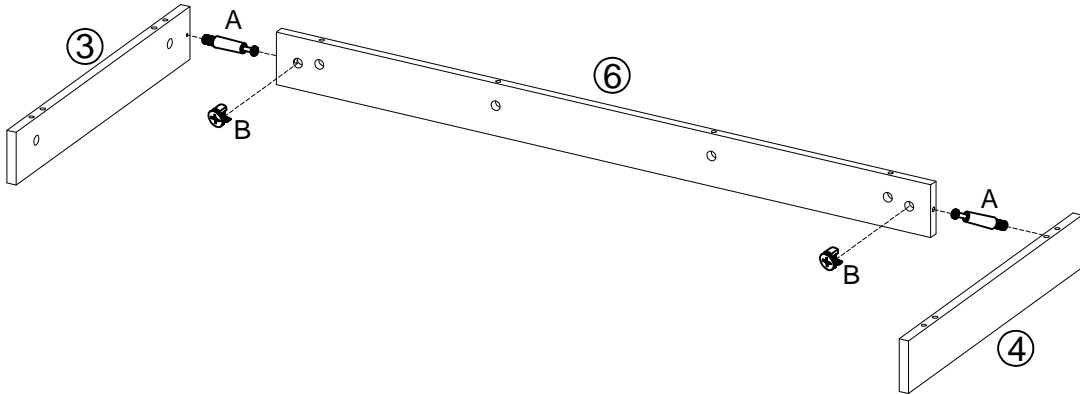
2

F x 4	G x 1	H x 1	I x 1	J x 1
				
M6 x 10	M6 x 20	M6	M6	4mm






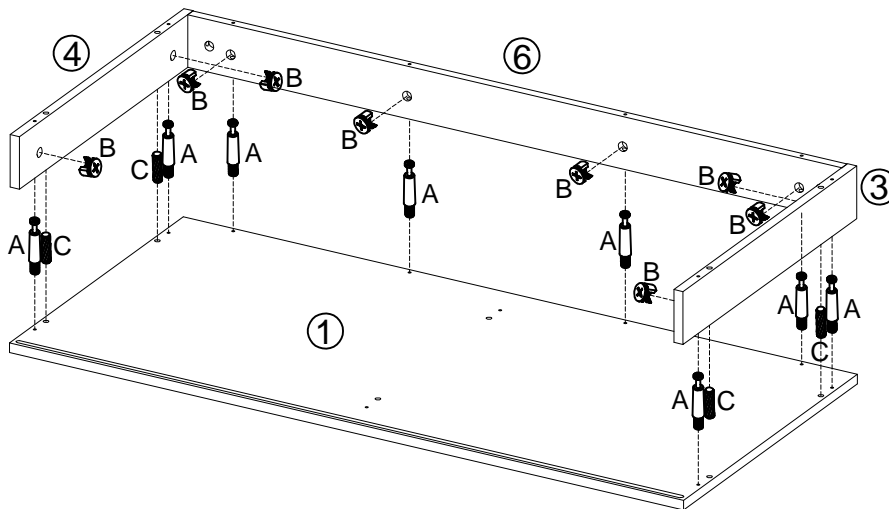
3

A x 2  M6 x 45	B x 2  Ø15 x 12mm
---	--






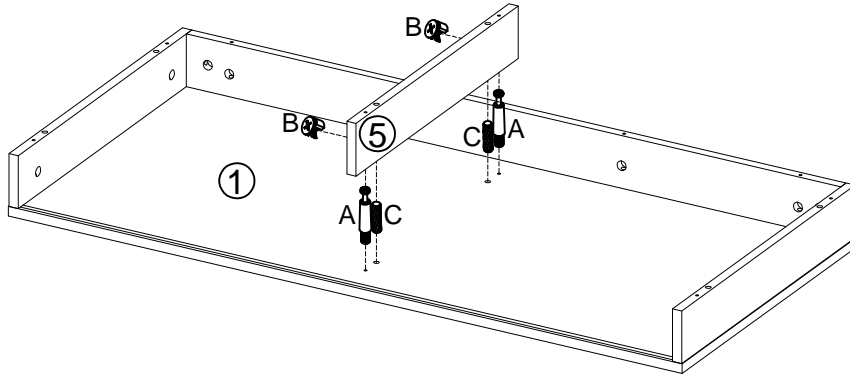
4

A x 8  M6 x 45	B x 8  Ø15 x 12mm	C x 4  Ø8 x 30mm
---	--	---







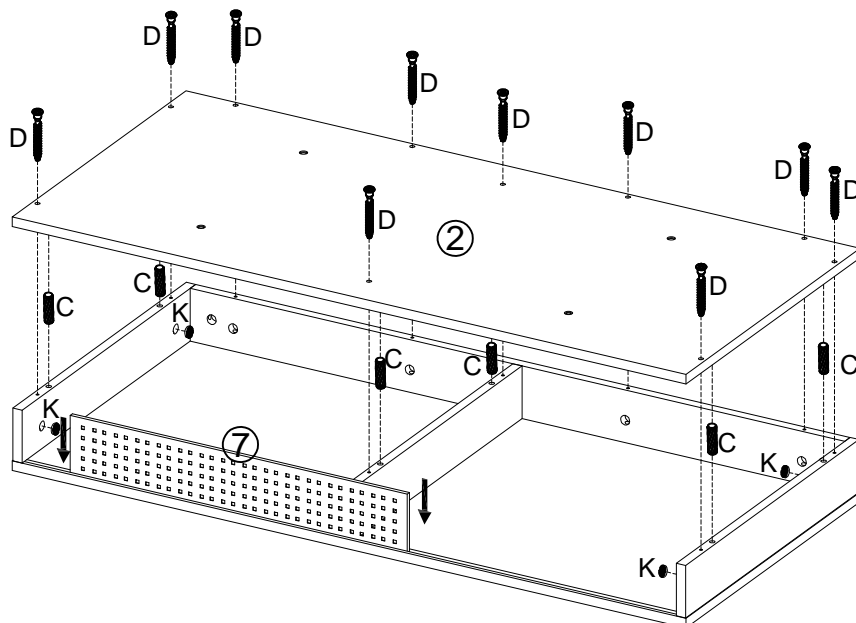
5

A x 2  M6 x 45	B x 2  Ø15 x 12mm	C x 2  Ø8 x 30mm
---	--	---


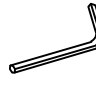


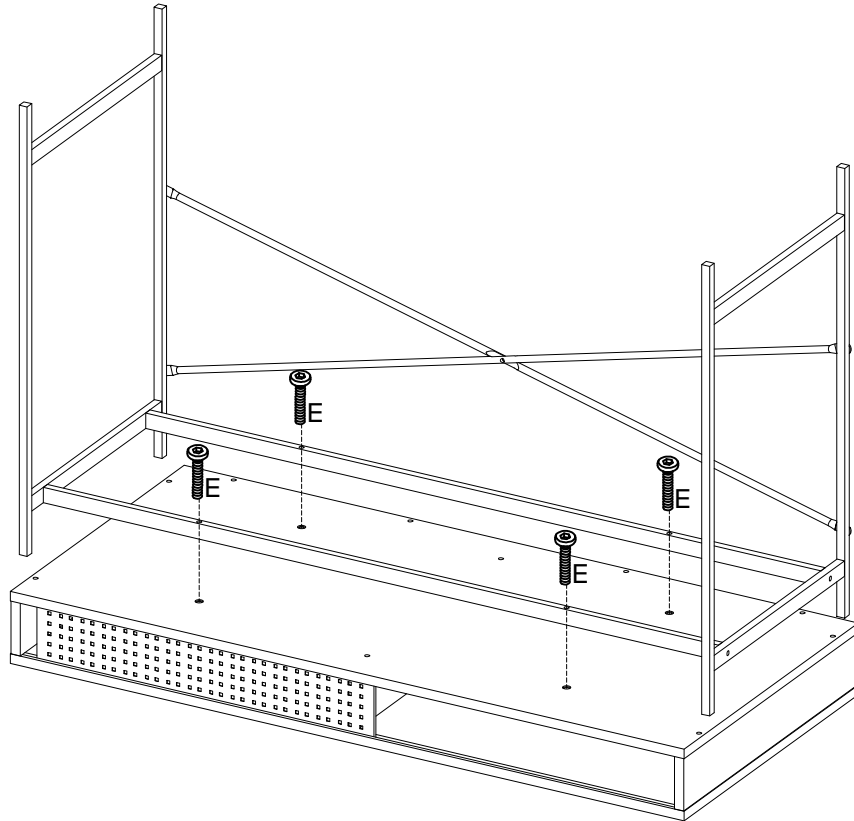
6

C x 6  Ø8 x 30mm	D x 10  M7 x 38	J x 1  4mm	K x 6 
---	--	---	--






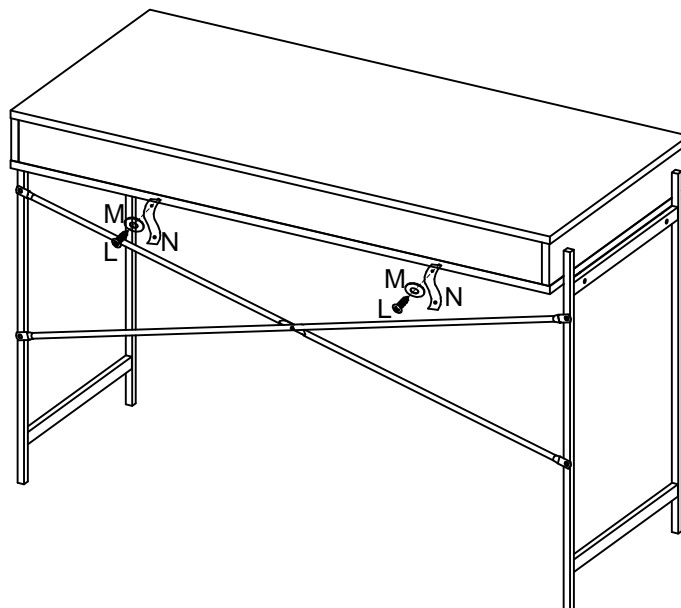
7

E x 4	J x 1
	
M6 x 35	4mm

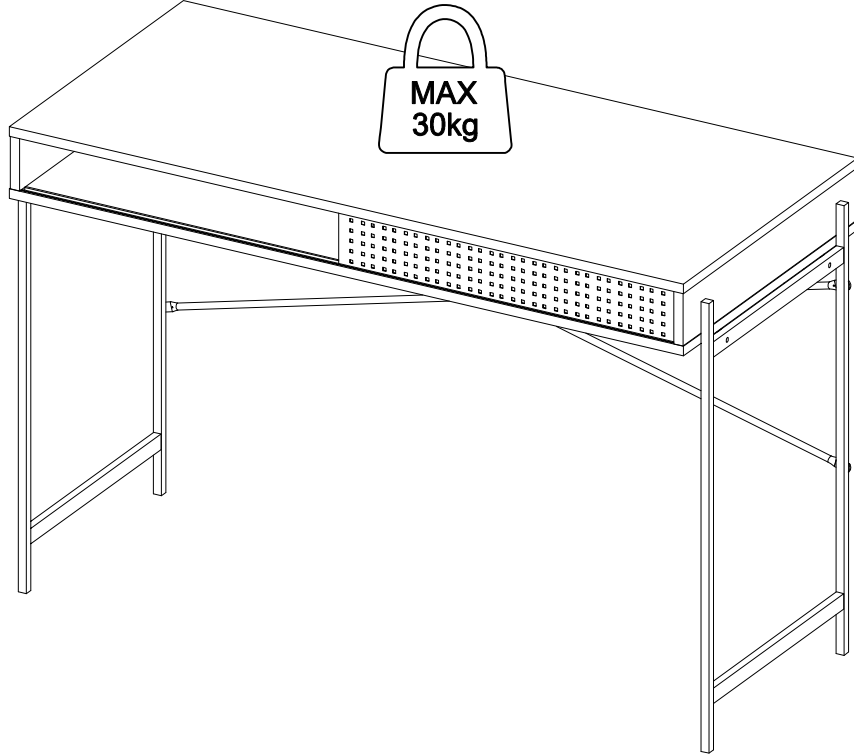


8

L x 2	M x 2	N x 2
		
M4 x 12	Ø16	L=150mm



9



10

