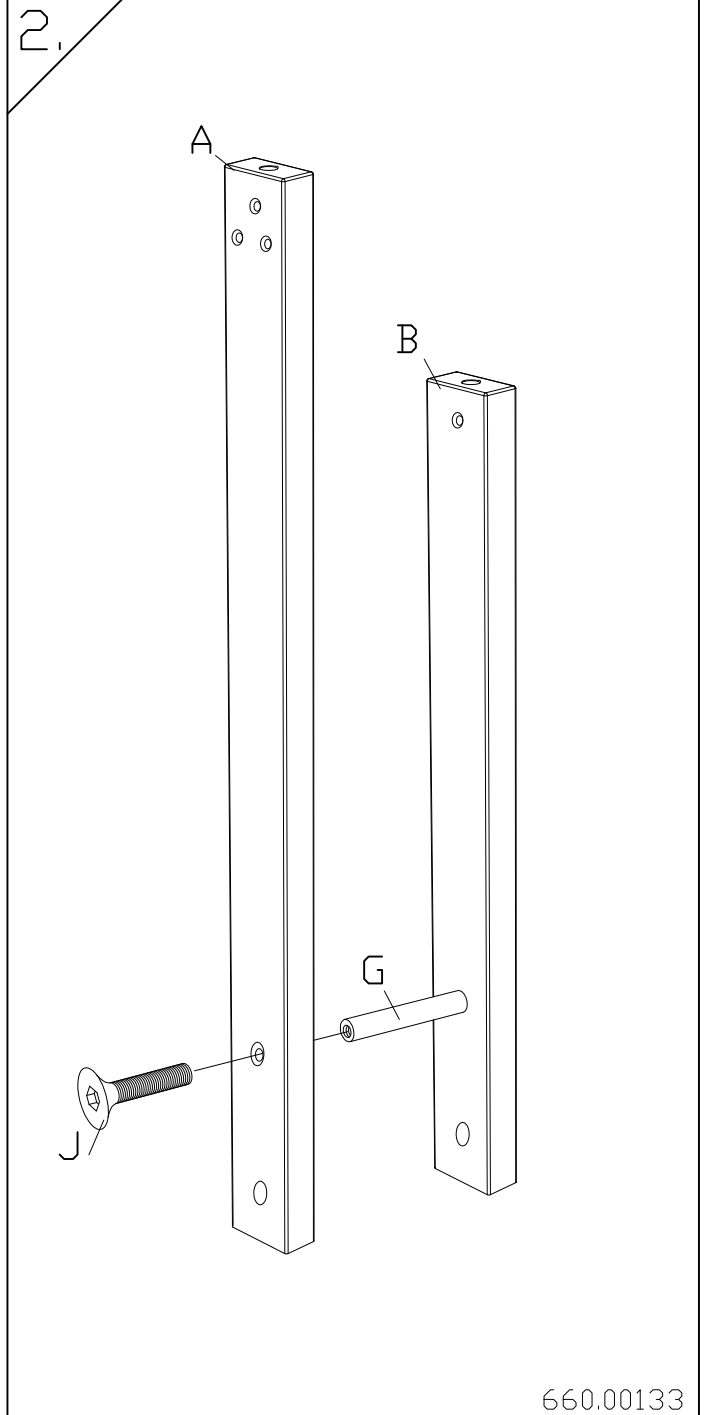
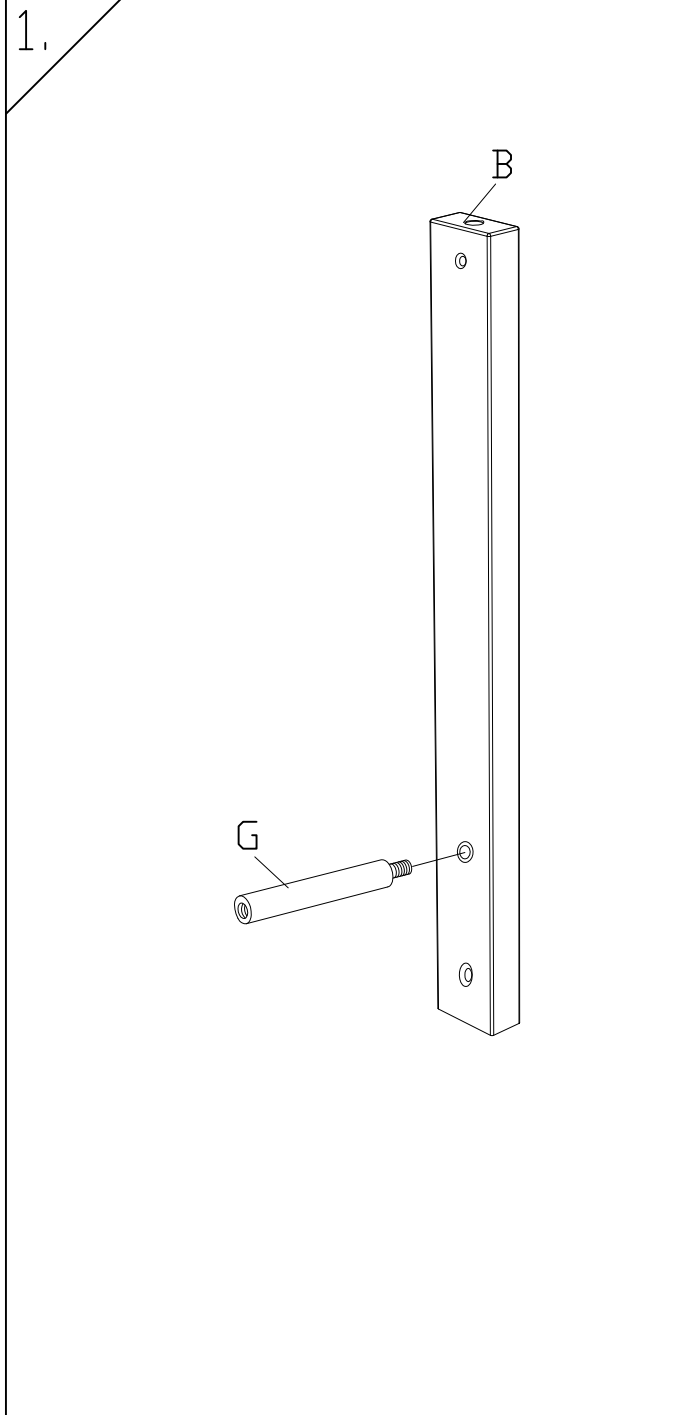
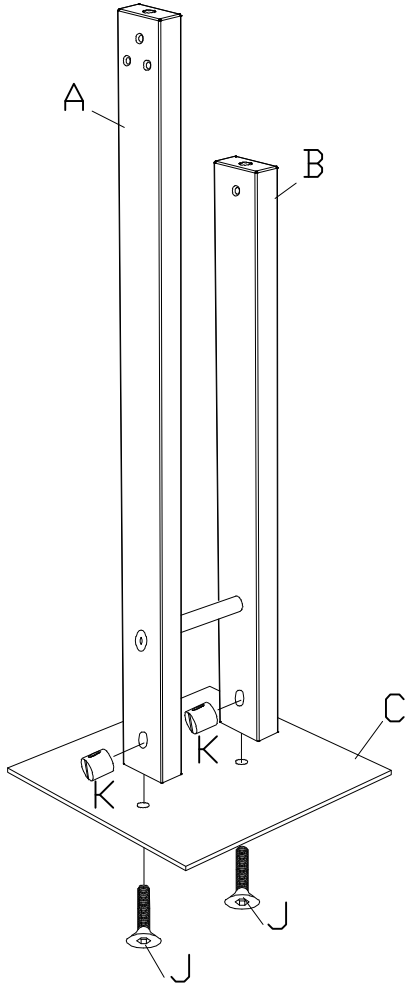


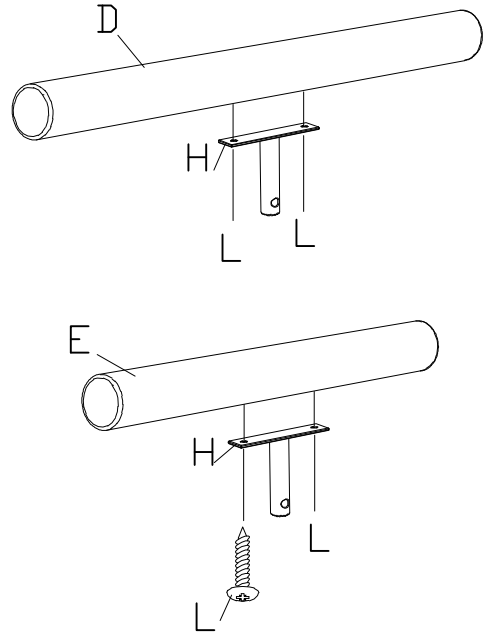
A x1 720.029	B x1 720.030	C x1 790.320	D x1 720.031	E x1 720.032	F x1 720.033
L x4 631.30200	M x2 631.30500	G x1 790.322	H x2 790.321	J x3 631.00302	K x2 631.61100
N x2 629.00020	P x2 790.32343	Q x1 631.10000	R x1 631.10100		



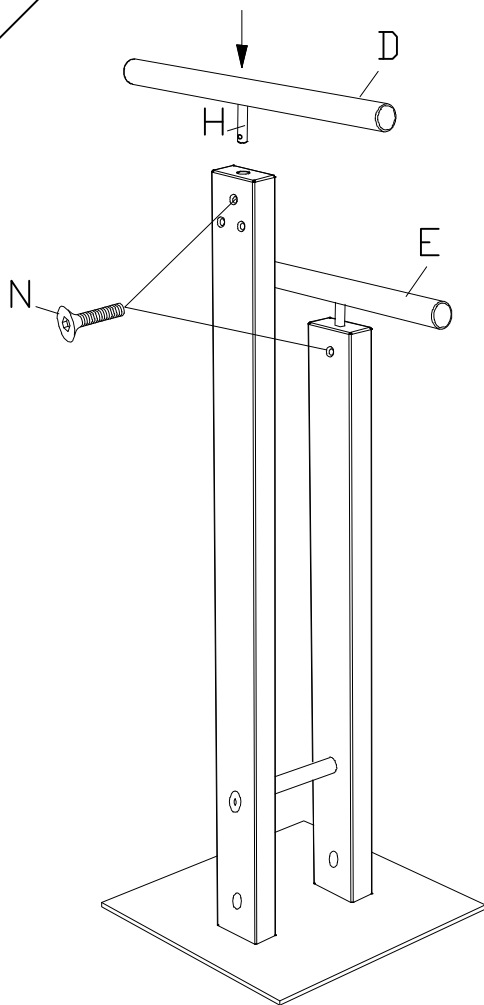
3.



4.



5.



6.

