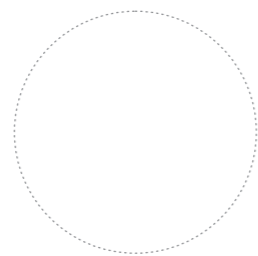
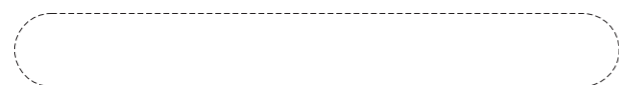


## Assembly instruction

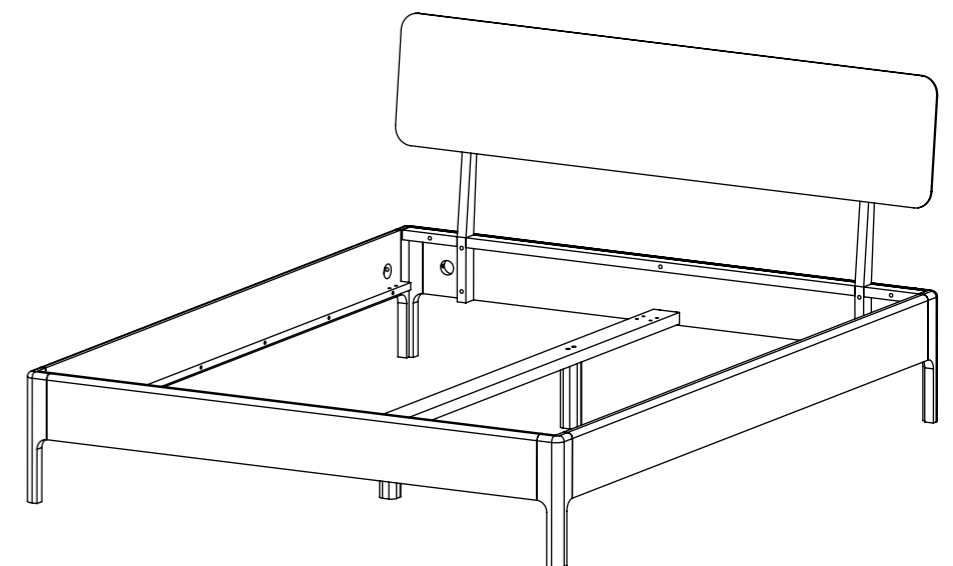
Nook Bed



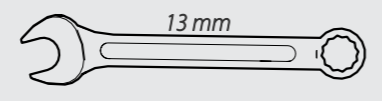
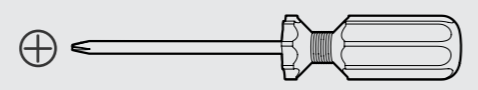
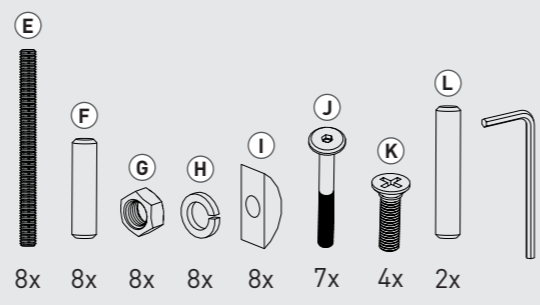
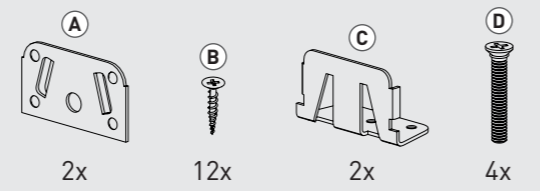
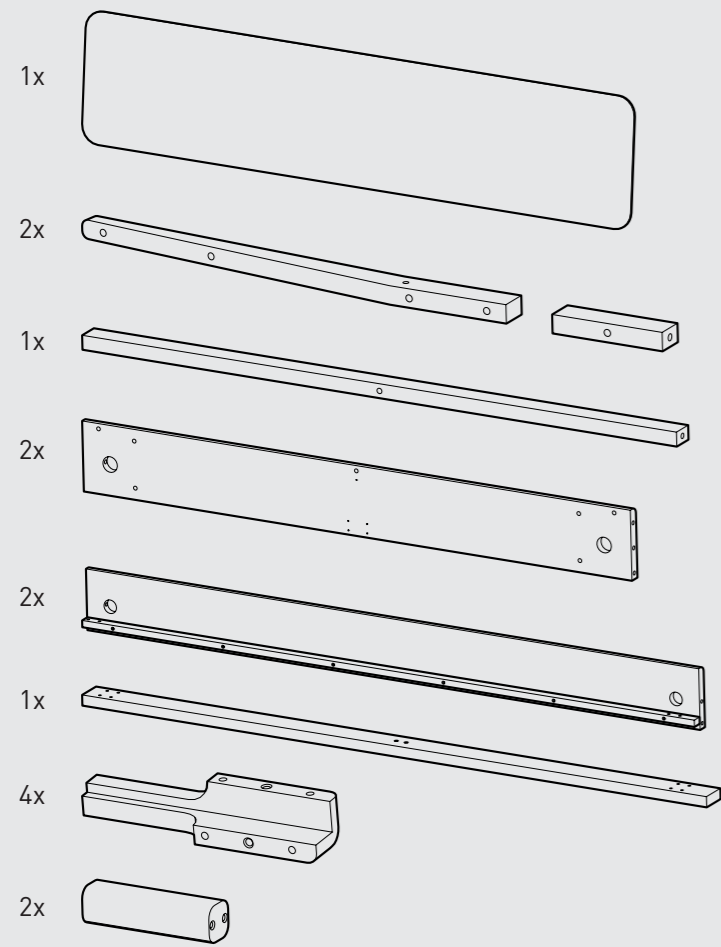
Quality control



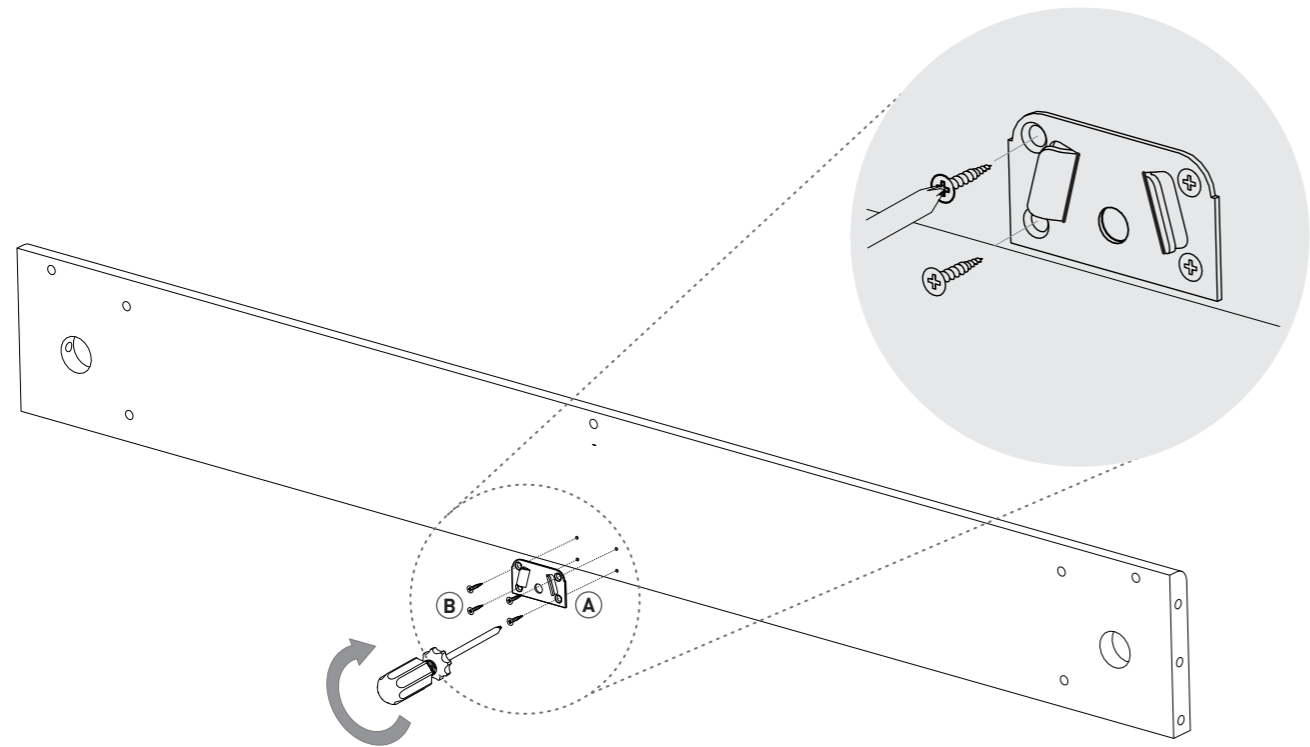
Serial number



Content of the box



1



## Care instructions

By taking good care of your product, you will ensure that it is healthy and in good condition for a long time.

### Available materials



Oak oiled with white pigmented oil



100% polyester fabric



Cotton webbing

### Use and care



To provide long-lasting durability of your product, **avoid exposing it to excess heat, direct sunlight or storing furniture in extremely dry or damp spaces.**



To keep your product fresh, it is recommended to **dust it regularly** with a dry, soft lint free cloth.



It is recommended to **wipe up all types of spillages**, as soon as they occur to prevent stains.



Be careful with the **use of heavy, sharp, hot or wet objects** on the product's surfaces.



**Re-oil** the wooden product surfaces when they start to look dry.



While **re-oiling the wooden headboard surface**, take care to not pour out the oil. Instead, apply it first on a dry, clean cotton cloth and then rub it into the surface in direction of the wood grain.

### Cleaning



**Clean your product regularly**, by using a slightly dampened, soft lint free cloth. To clean **stubborn stains**, use a formulated cleaner for wooden furniture. Follow and read the manufacturer's instructions.



**Do not use** polishes, oil polishes containing wax or silicone, ammonia and aerosol cleaners, abrasive cleaners or cloth on the wooden product's surfaces.

### Use and care



To provide long-lasting durability of your upholstered headboard **avoid exposing it to direct sunlight, heaters, wet or rough objects for extended periods of time.** These harsh conditions can damage the fabric.



It is recommended to **wipe up all types of spillages**, as soon as they occur to prevent stains.



Be careful with the **use of sharp, hot or wet objects** on the fabric.

### Cleaning



**Vacuum regularly.** Wipe with a **damp cloth** using soap and water or use proprietary upholstery shampoo. For deeper cleaning use professionally dry clean.



**Do not use** harsh cleaning agents.

### Use and care



To provide long-lasting durability of your webbing headboard **avoid exposing it to direct sunlight, heaters, wet or rough objects for extended periods of time.** These harsh conditions can damage the webbing.



It is recommended to **wipe up all types of spillages**, as soon as they occur to prevent stains.



Be careful with the **use of heavy, sharp, hot or wet objects** on the webbing.

### Cleaning

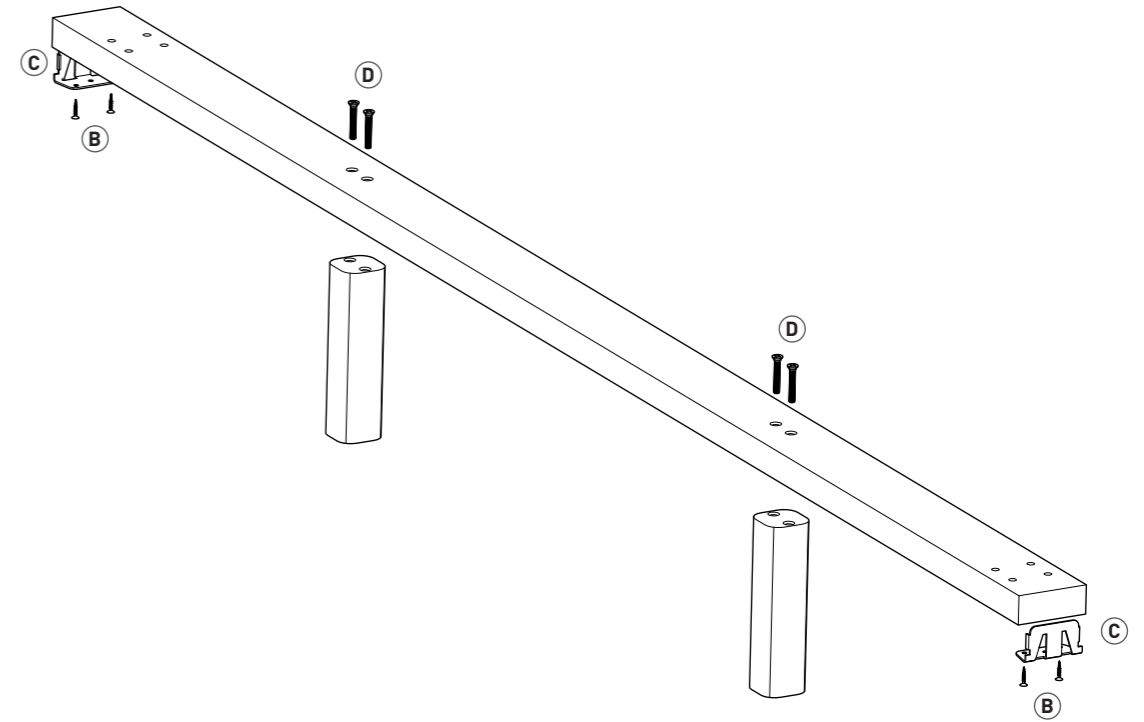


**Vacuum regularly.** Wipe with a **damp cloth** using soap and water or use proprietary upholstery shampoo. For deeper cleaning use **professionally dry clean.**

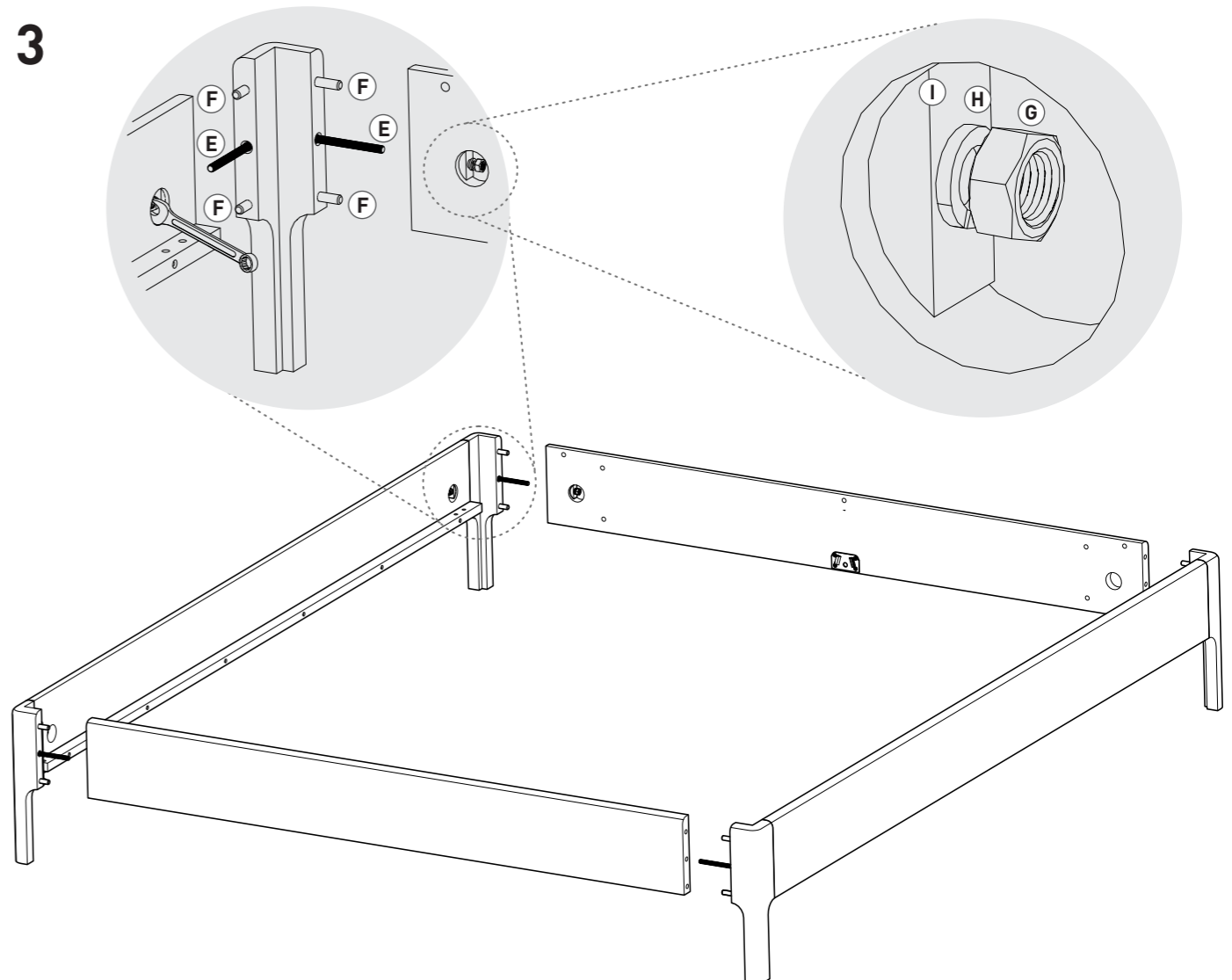


**Do not use** harsh cleaning agents.

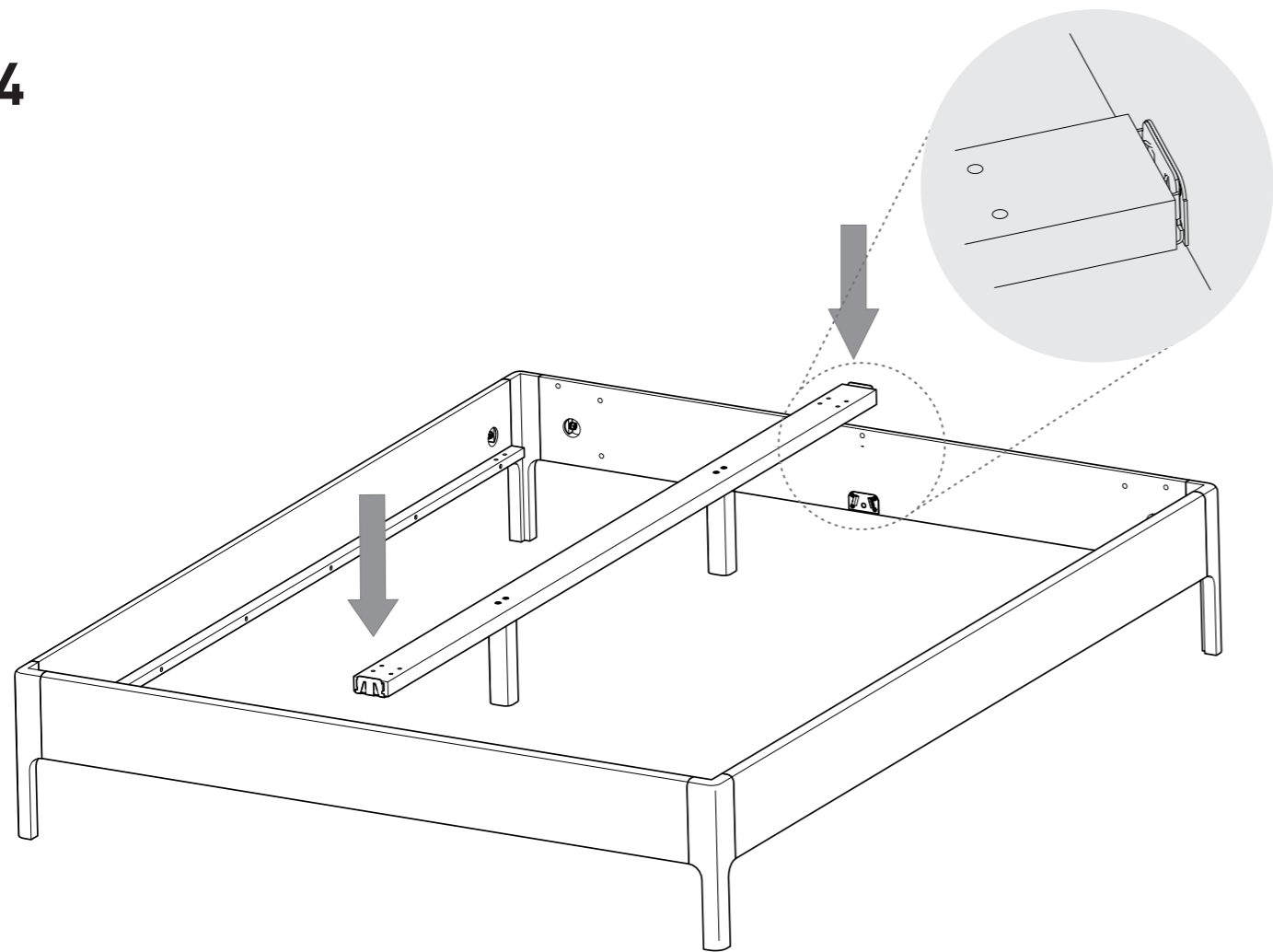
2



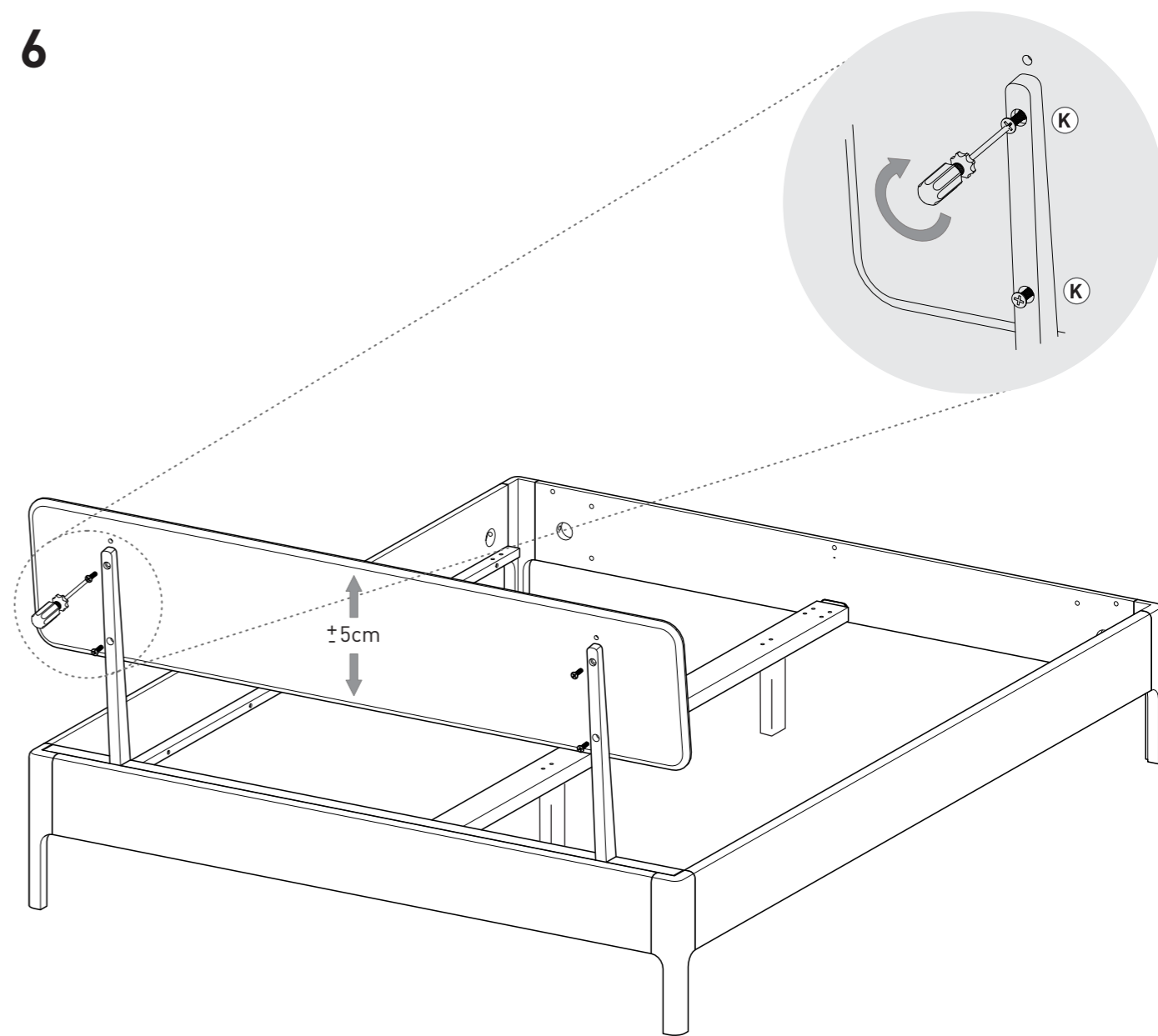
3



4



6



5

