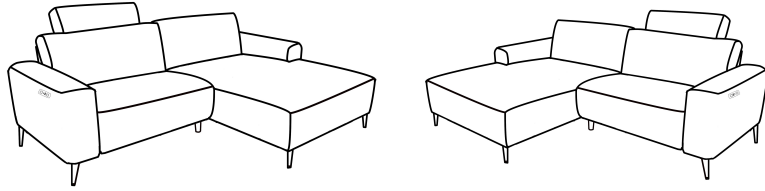
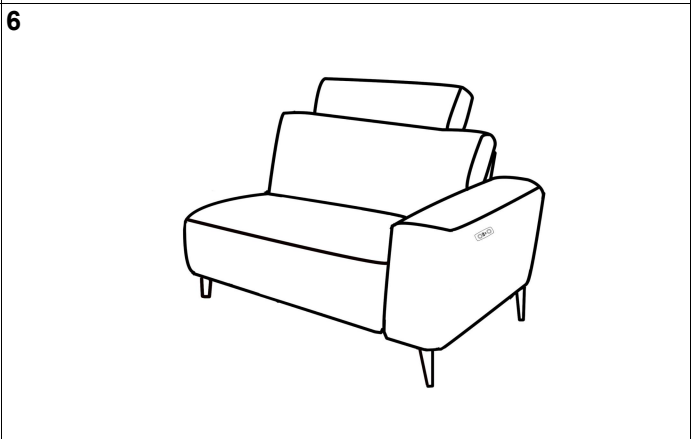
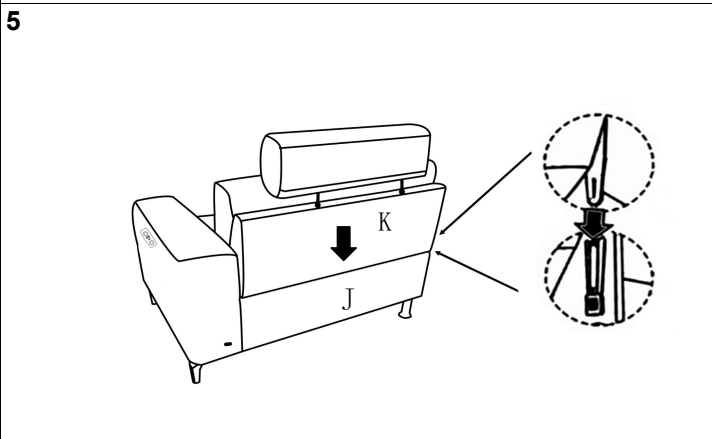
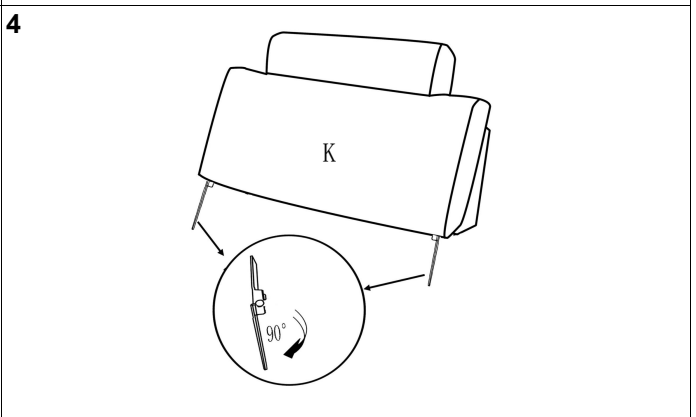
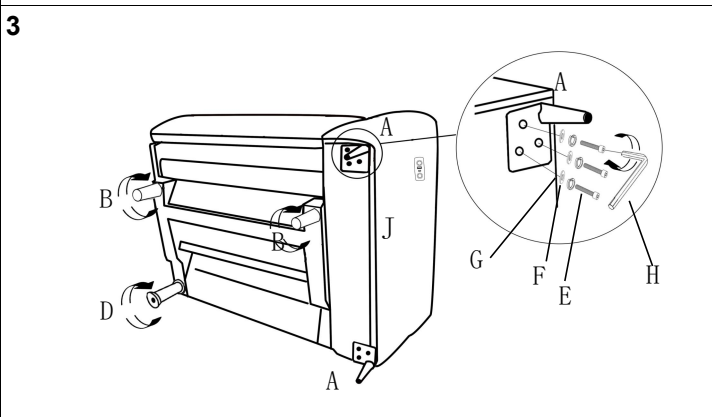
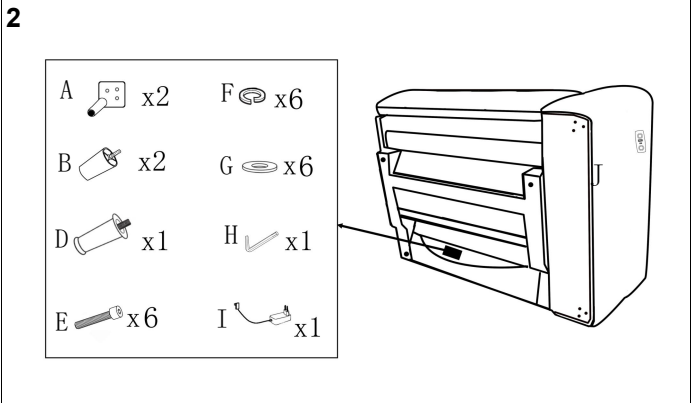
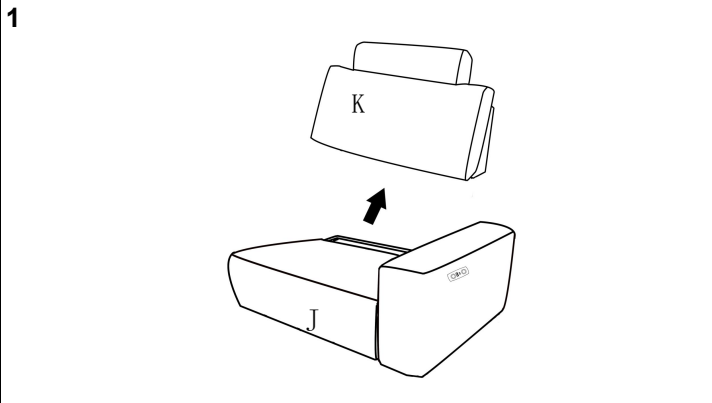
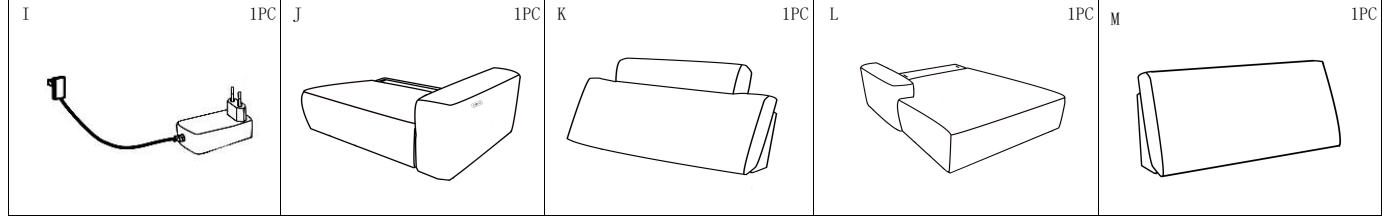
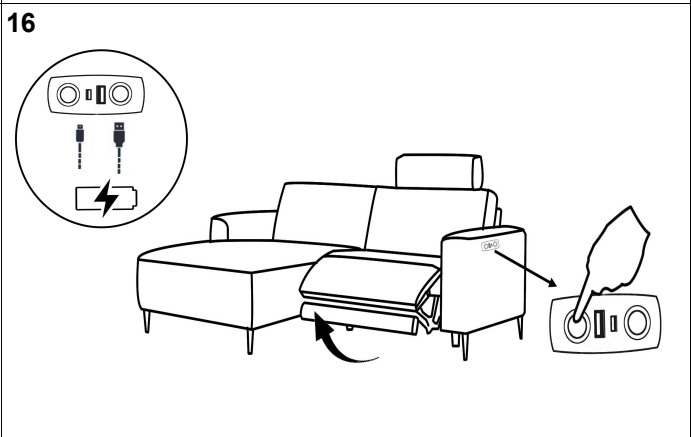
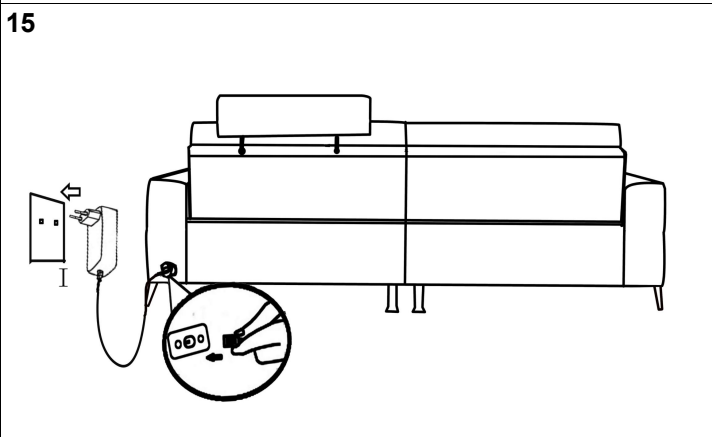
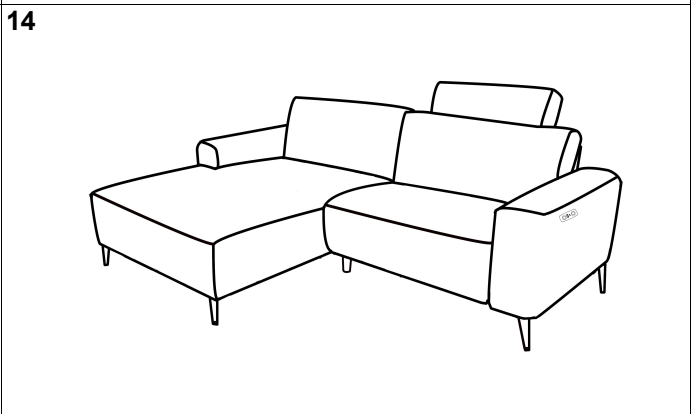
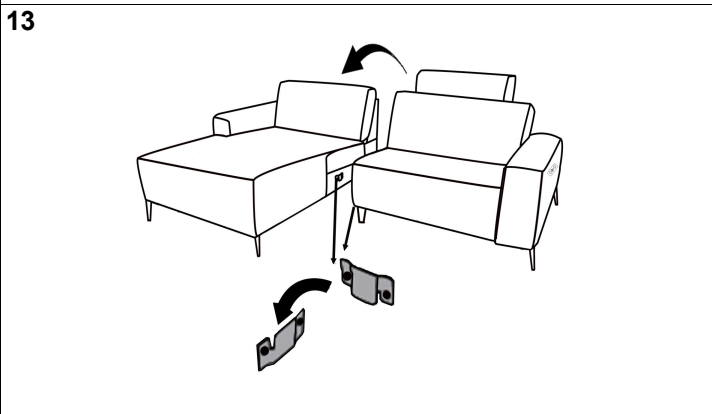
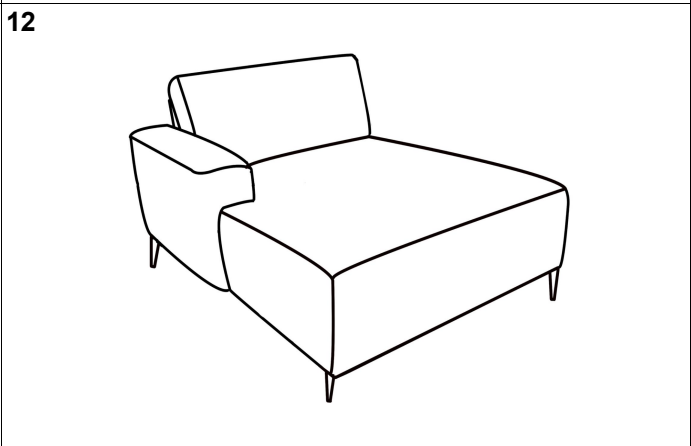
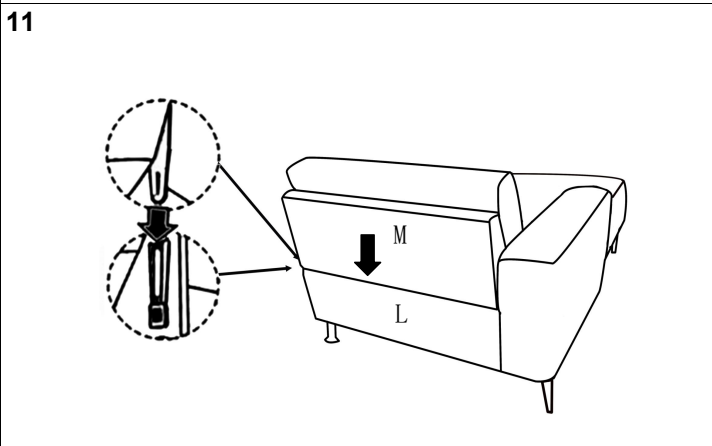
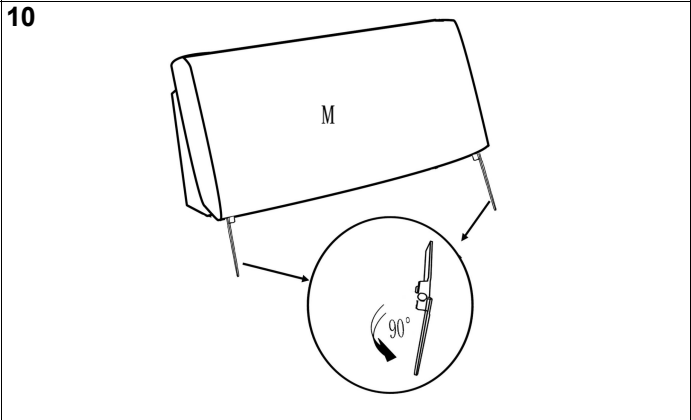
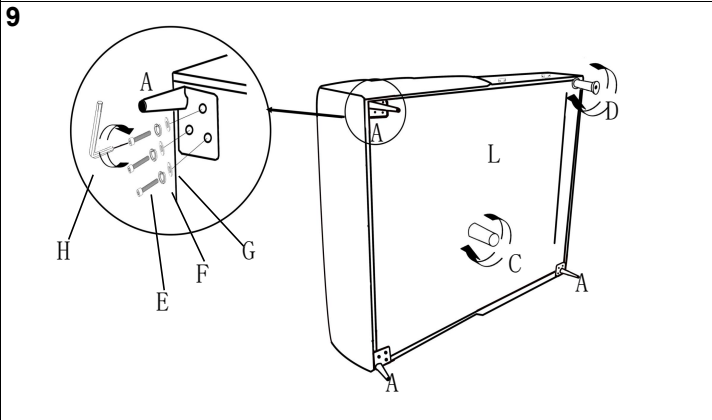
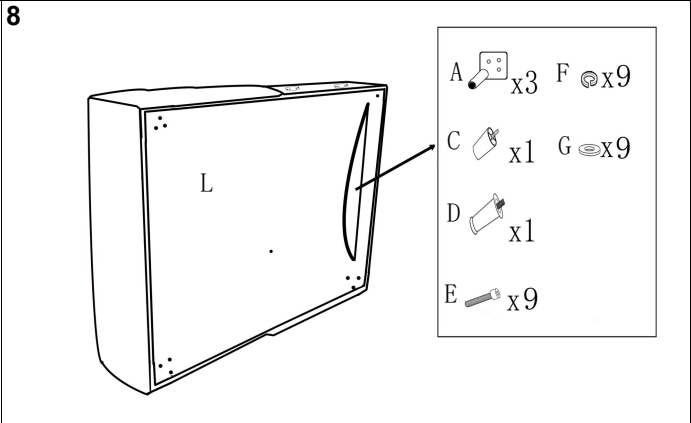
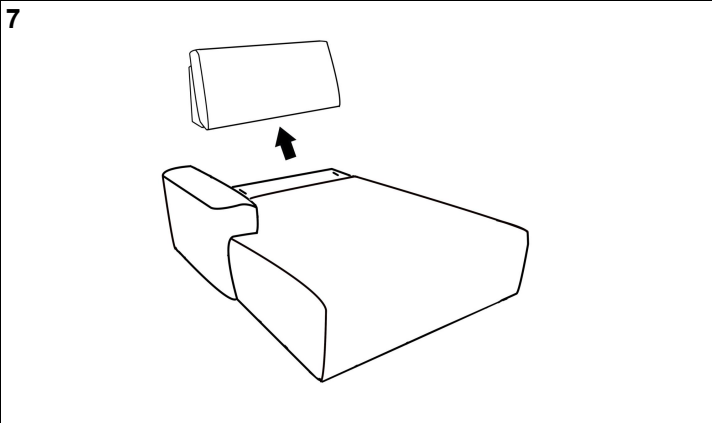


ALYSSA/194320/194321/194322/194323/194324/194325

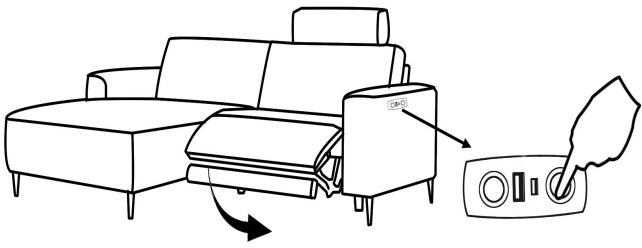


No.	HARDWARE	SPECIFICATION	QTY
A		100*100*134mm	5PCS
B		Φ 45/57*100mm	2PCS
C		Φ 45/60*130mm	1PC
D		Φ 38*130mm	2PCS
E		M8*50mm	15PCS
F		M8mm	15PCS
G		M8*16mm	15PCS
H		M6*35*85mm	1PC





16



17

