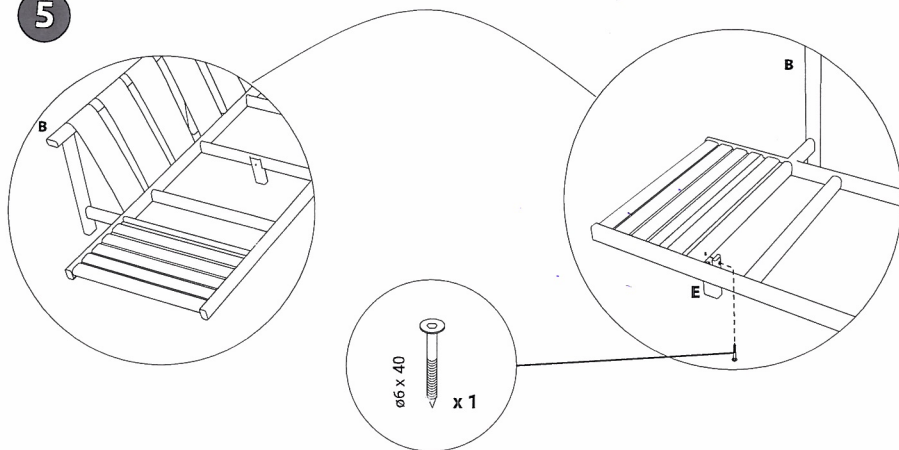


5



**VAIA  
CORNER**

We make wooden garden leisure furniture with conscious and demanding customers in mind. If you value high quality, comfort, exceptional design, life balance and contact with nature - you're in the right place!



ASSEMBLY INSTRUCTIONS



Furniture made from certified wood, originating from sustainable forests with controlled tree felling



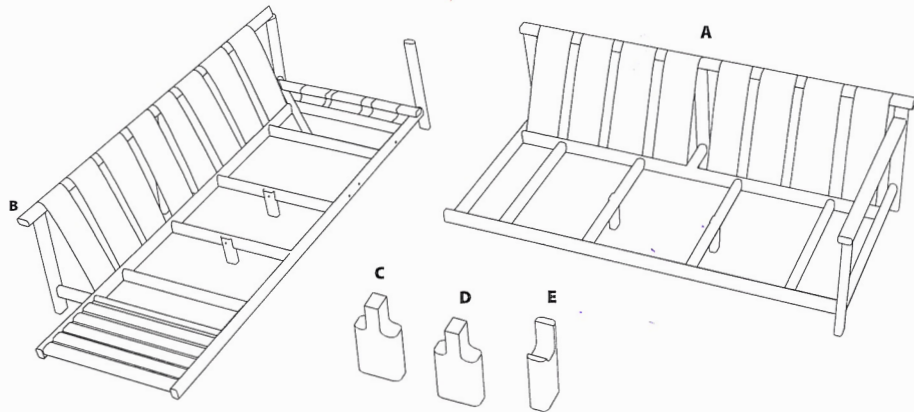
Use only varnishes of the highest quality and water-based impregnates - one of the most environmentally friendly varnishing solutions










Support the sustainable development of our region, local businesses, manufacturers and craftsmen



Comfort, functionality and timelessness of furniture



|   |   |   |   |
|---|---|---|---|
| <br>m6 x 60<br>x 1 | <br>ø6 x 80<br>x 2 | <br>ø6 x 40<br>x 1 | <br>ø5 x 50<br>x 1 |
| <br>ø5 x 30<br>x 2 |                    |                    |   |

