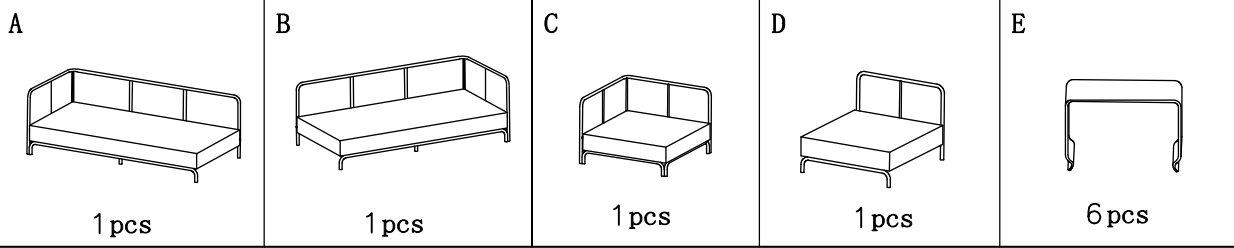
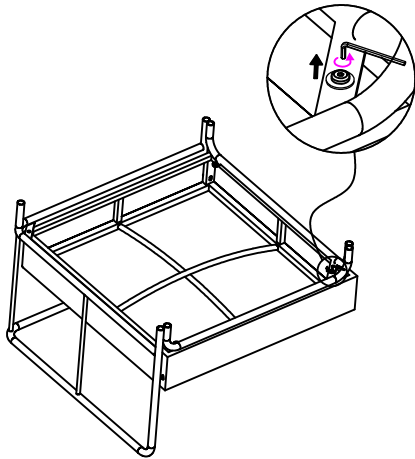


ASSEMBLY INSTRUCTION

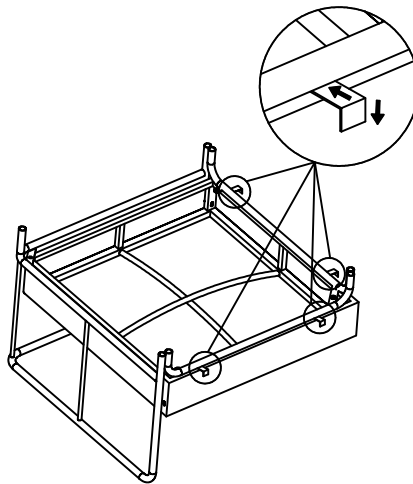
1. Accessories



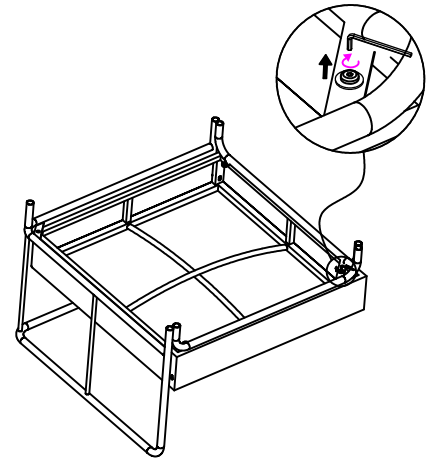
2. Steps:



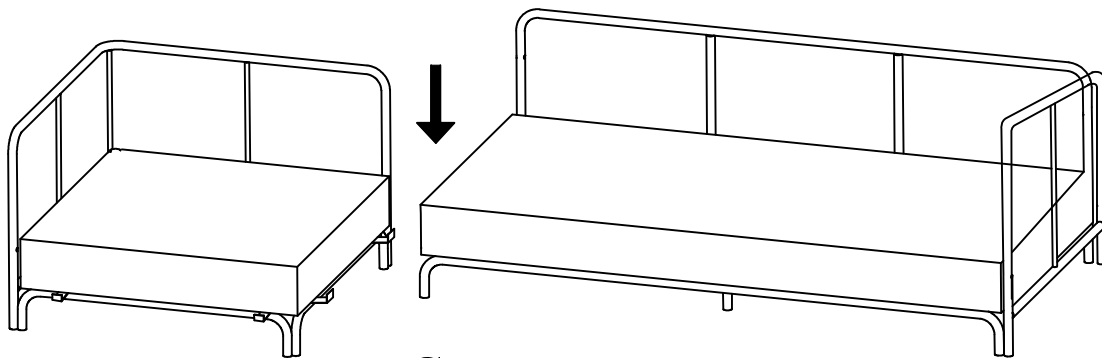
Step 1



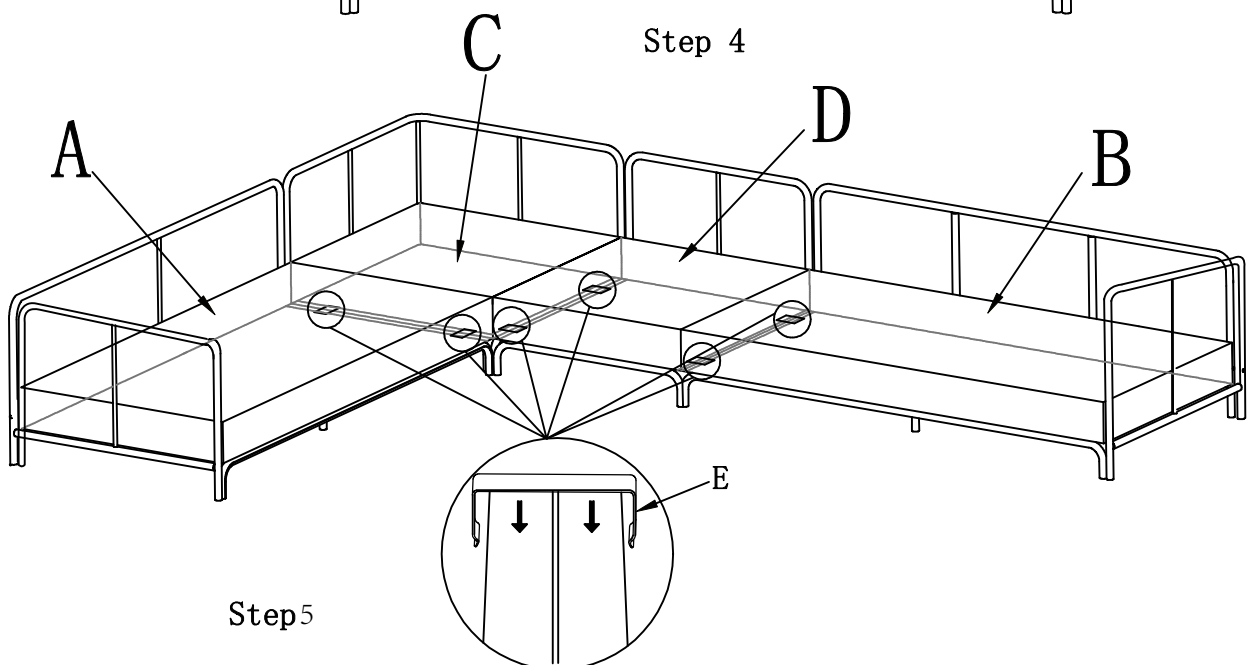
Step 2



Step 3



Step 4



Step 5