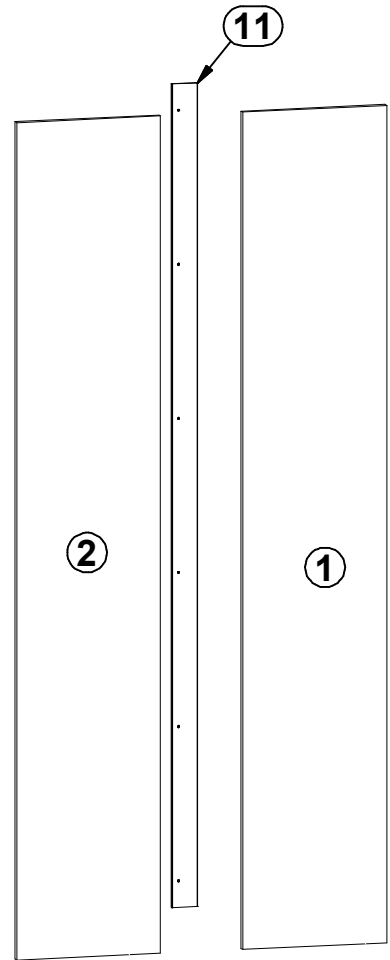
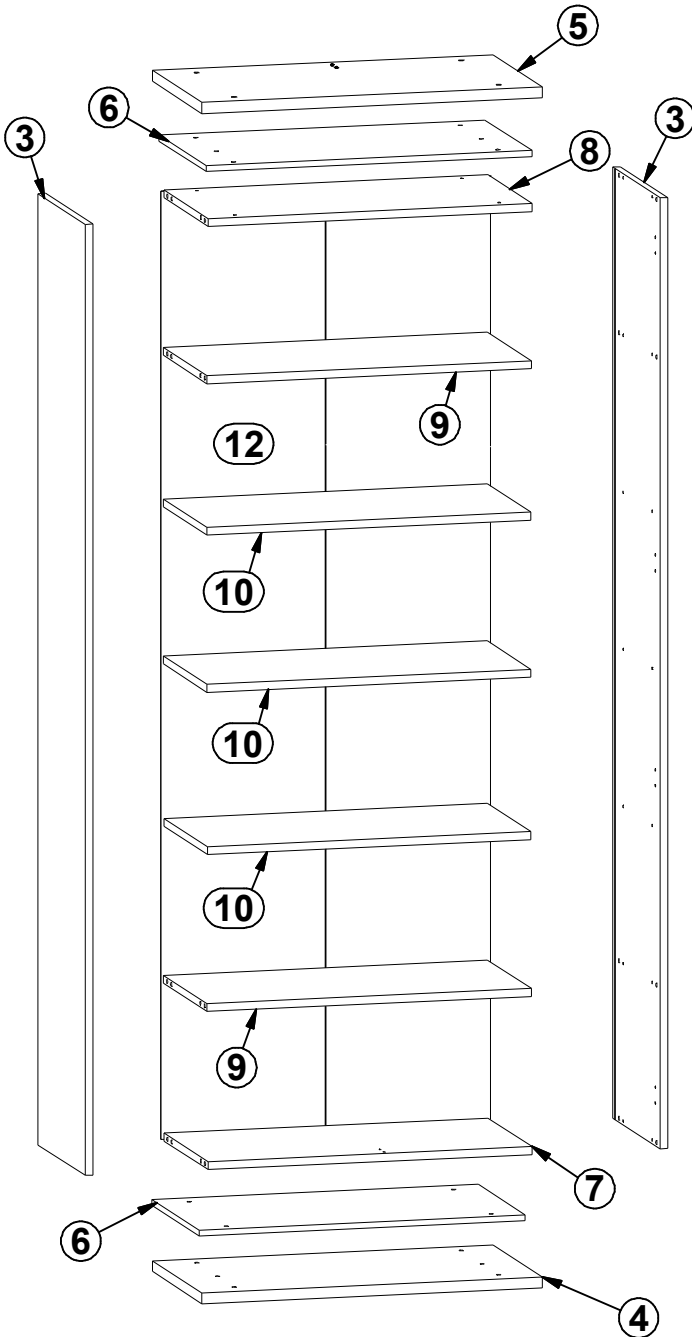
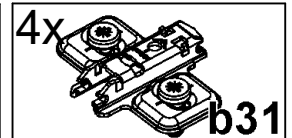
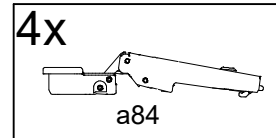
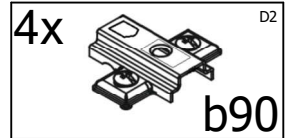
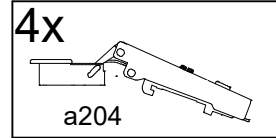
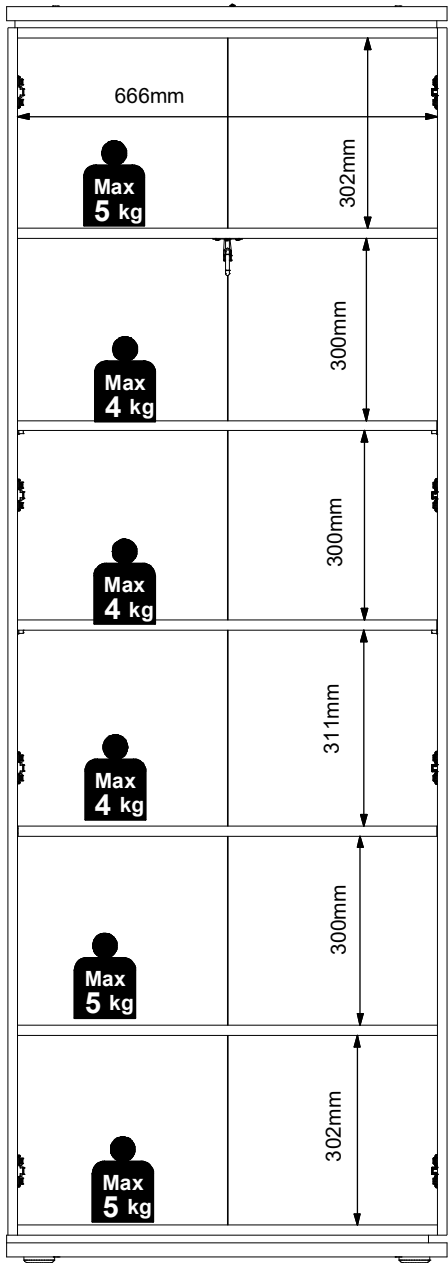


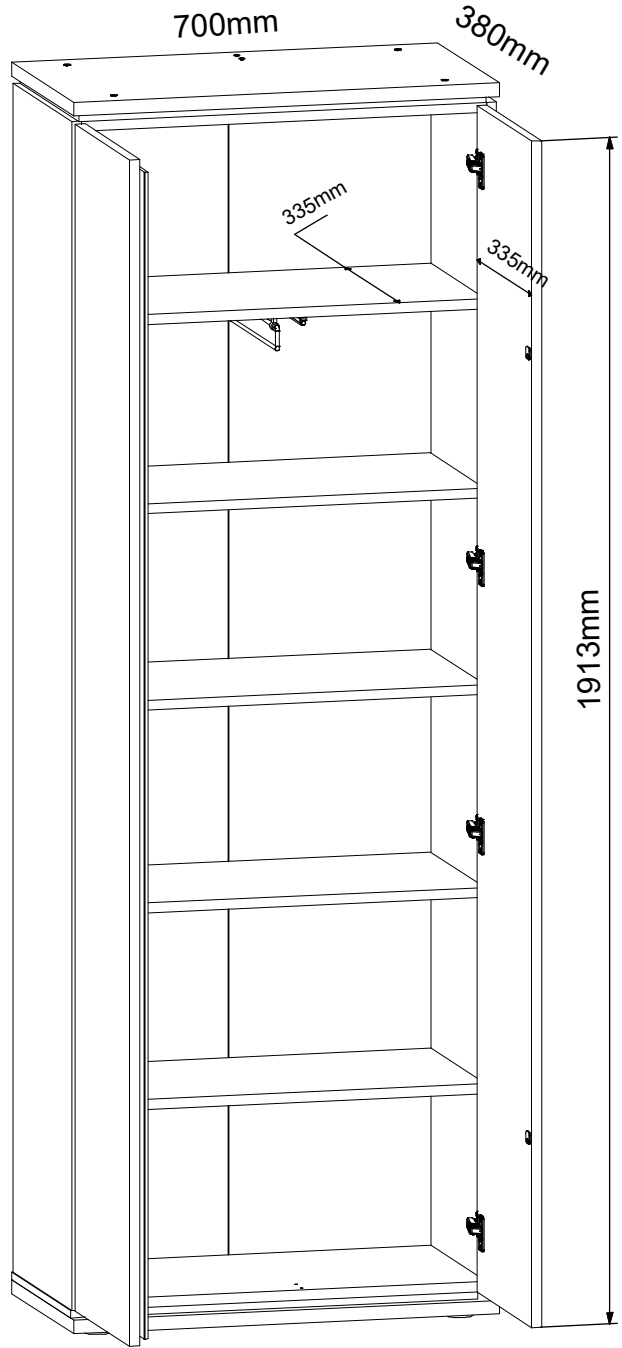
| | | | | |
|---------------------------------|------------------------------------|------------------------------------|-----------------------------------|-------------------------------|
| 12x ∅5x17 mm d1 | 8x ∅7x45 mm e40 | 16x ∅8x30 mm f1 | 4x ∅8x20 mm f13 | 1x ∅10x50 mm f35 |
| 4x k43 | 8x l2 | 1x L=300 mm m6 | 1x 86x21x151.5 n14\2 | 1x ∅5x60 mm p17 |
| 36x ∅3.5x16 mm p38 | 4x ∅3.5x13 mm p27 | 16x ∅3.5x15 mm p51 | 16x ∅15x12 mm #16 r1 | 16x 20x11 r42 |
| 1x z28\1 | 1x 82x9 516.5mm z28\2 | 1x 20x2011.5 mm z28\3 | 6x ∅3x12mm z28\4 | 1x z1 |
| 8x ∅20mm s68 | | | | |

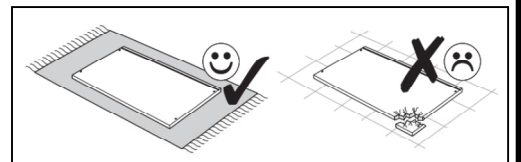
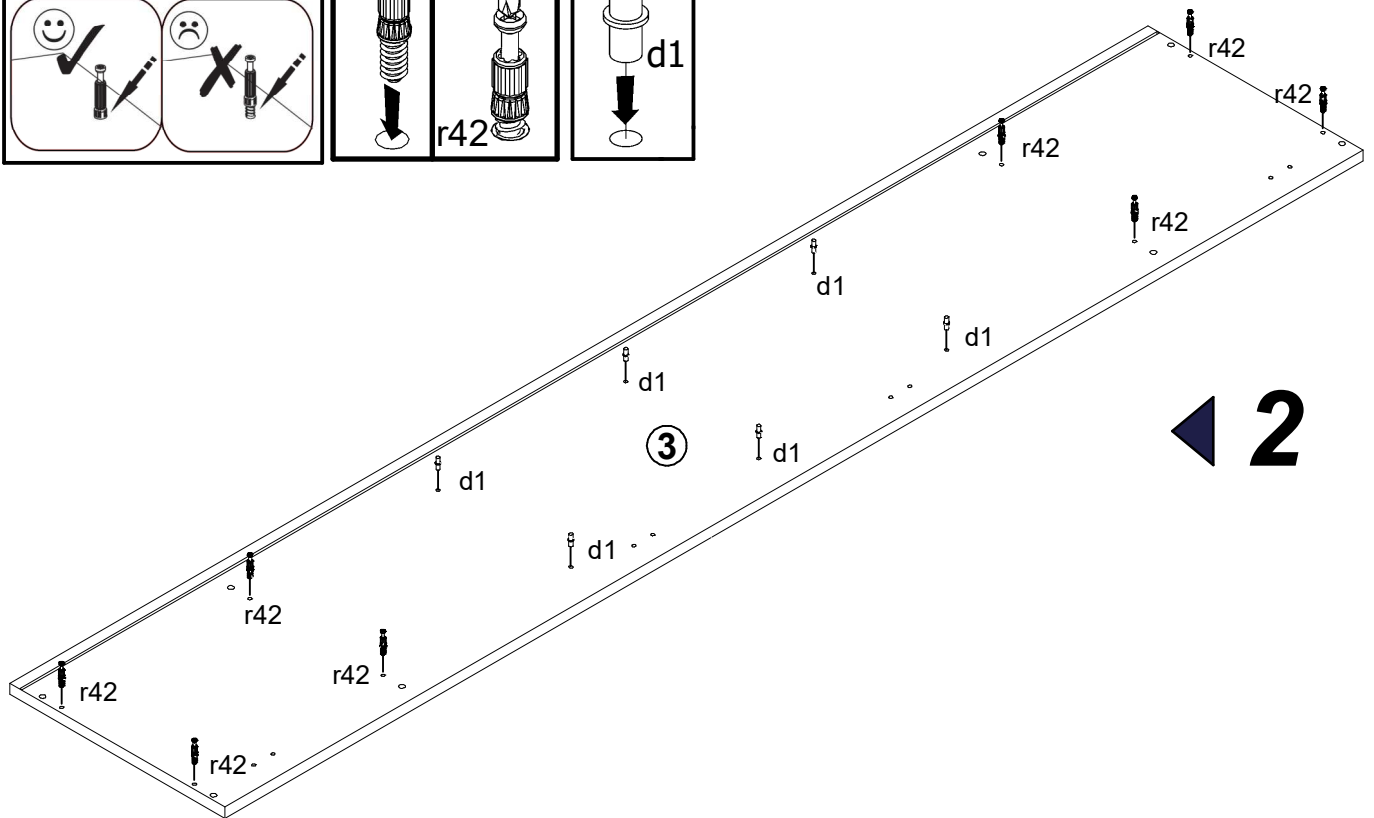
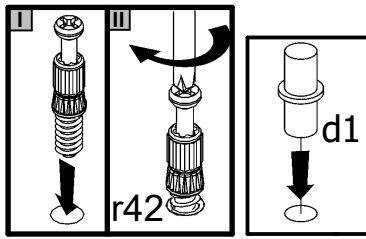
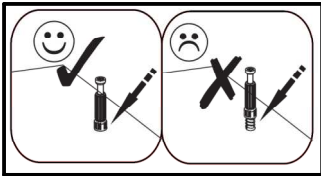
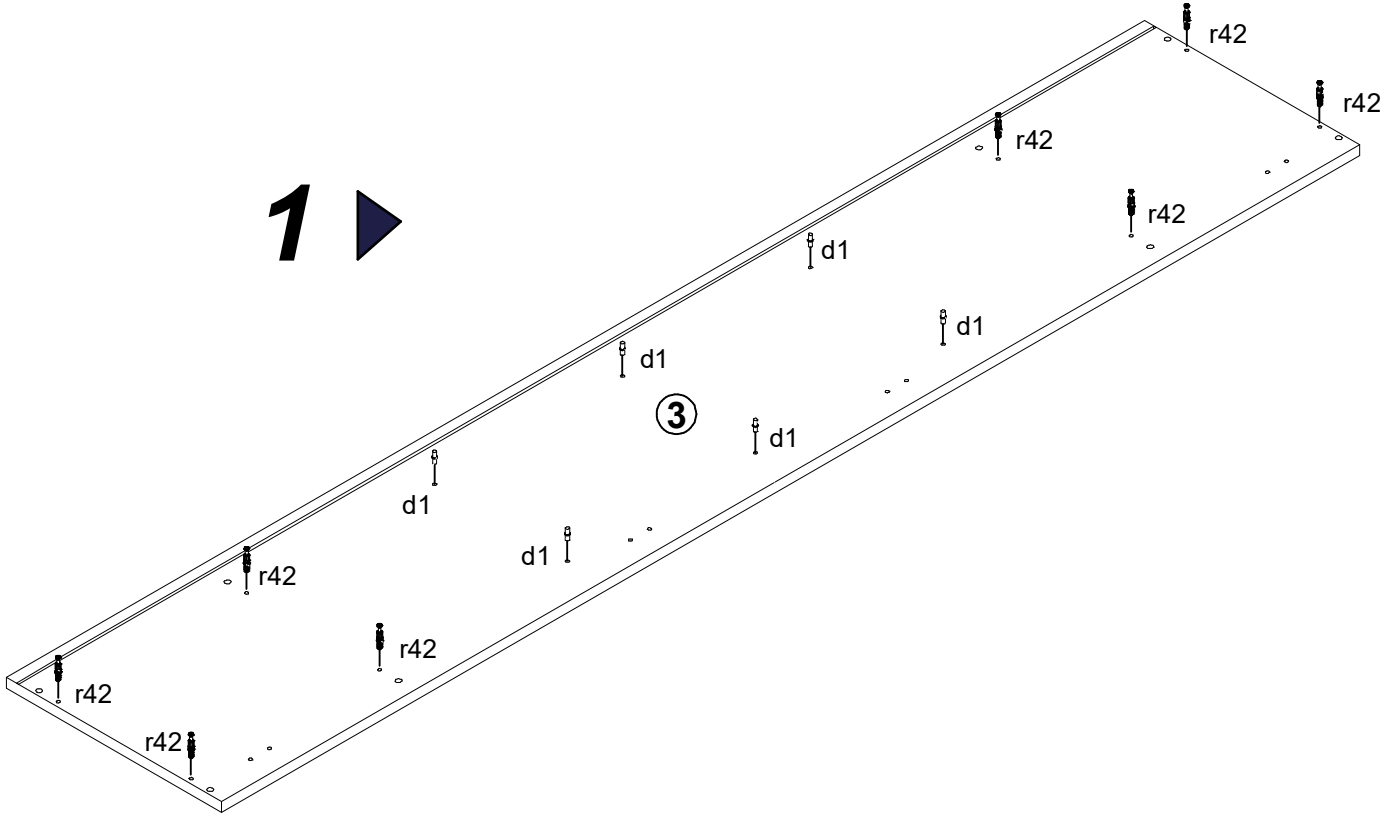
| A | B1 | B2 | C1 | C2 | C3 | C4 | D |
|----|-----------|----|------|-----|-----|----|-----|
| 1 | M277-0007 | - | 1913 | 335 | 16 | 1 | 3\3 |
| 2 | M277-0008 | - | 1913 | 335 | 16 | 1 | 3\3 |
| 3 | M277-1008 | - | 1917 | 362 | 16 | 2 | 2\3 |
| 4 | M277-2013 | - | 700 | 380 | 22 | 1 | 1\3 |
| 5 | M277-2014 | - | 700 | 380 | 22 | 1 | 1\3 |
| 6 | M277-2016 | - | 670 | 362 | 12 | 2 | 2\3 |
| 7 | M277-3012 | - | 666 | 340 | 16 | 1 | 1\3 |
| 8 | M277-3013 | - | 666 | 340 | 16 | 1 | 1\3 |
| 9 | M277-3014 | - | 666 | 335 | 16 | 2 | 1\3 |
| 10 | M277-3015 | - | 665 | 335 | 16 | 3 | 1\3 |
| 11 | M277-5004 | - | 1881 | 60 | 6 | 1 | 3\3 |
| 12 | M277-9304 | - | 1911 | 677 | 2.5 | 1 | 2\3 |



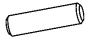



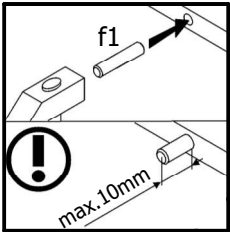
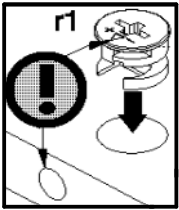
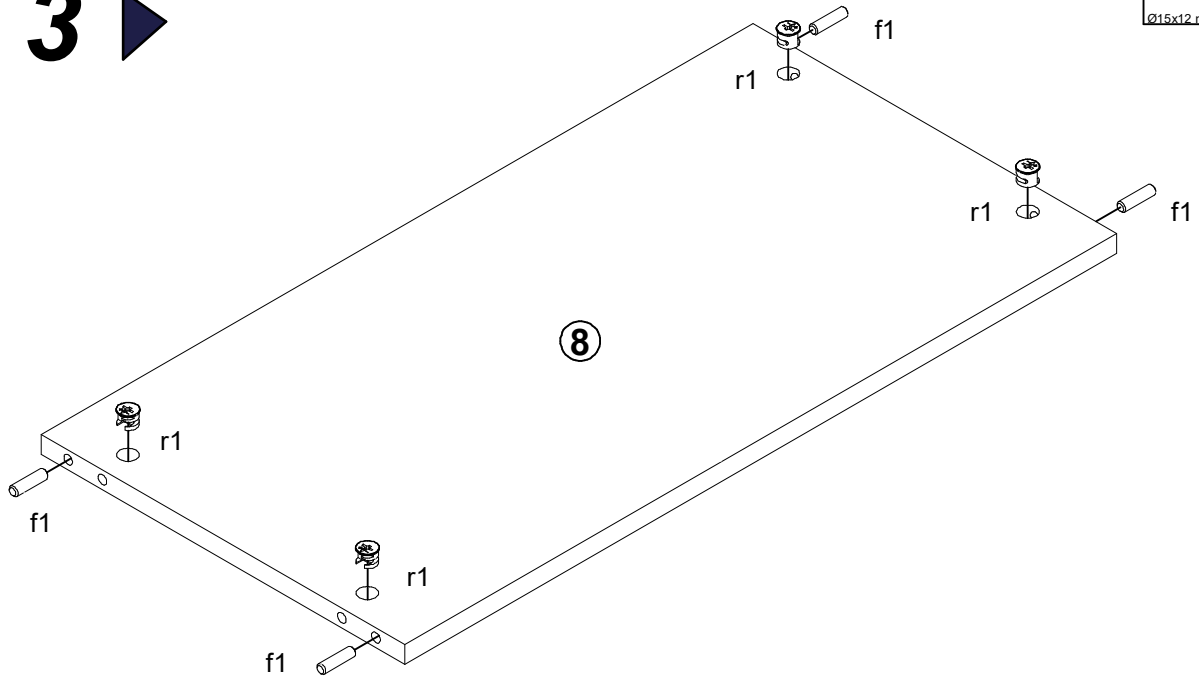
1994mm



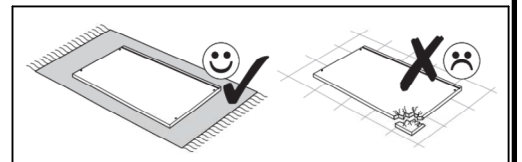
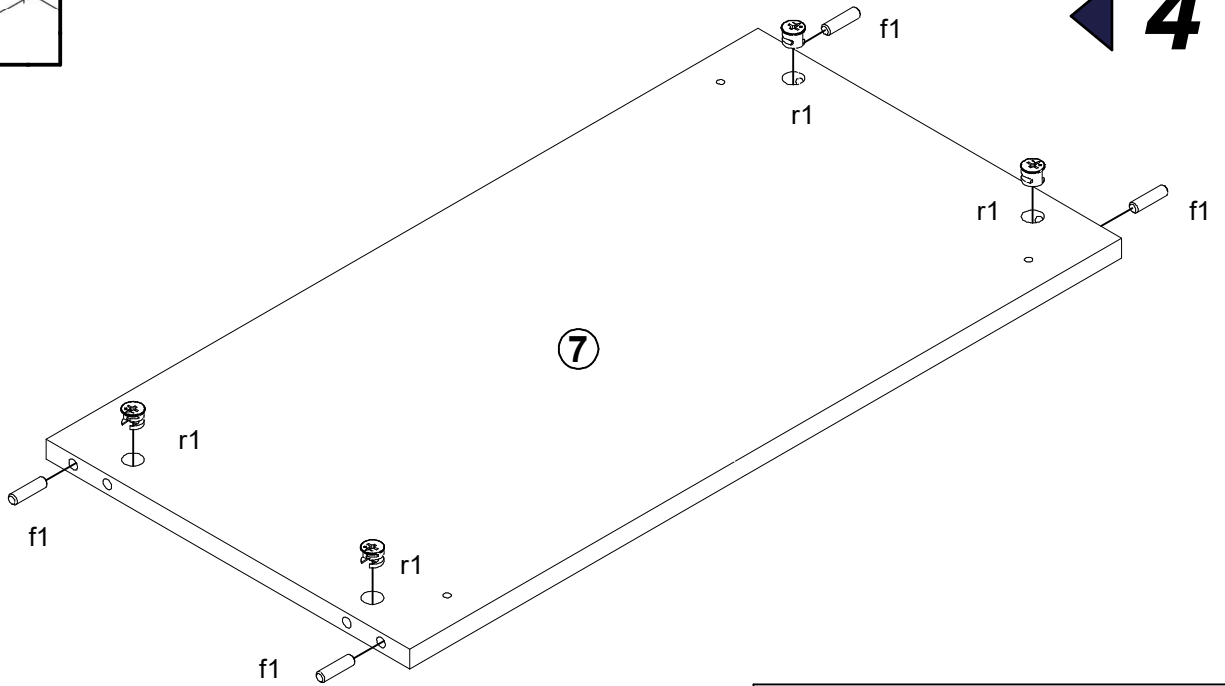


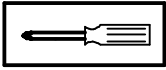
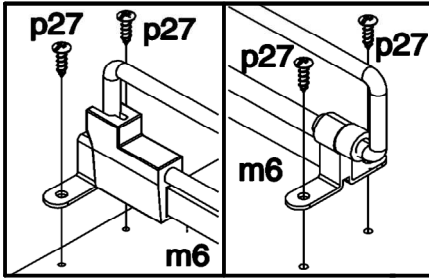
3 ▶

| | | |
|---------------|---|----|
| 8x |  | f1 |
| Ø8x30 mm | | |
| 8x |  | r1 |
| Ø15x12 mm #16 | | |



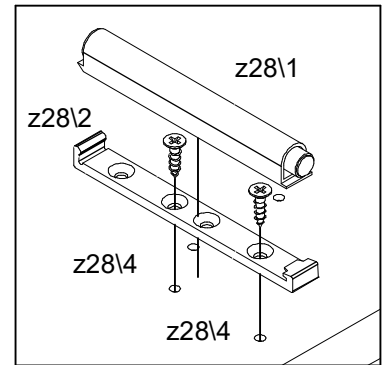
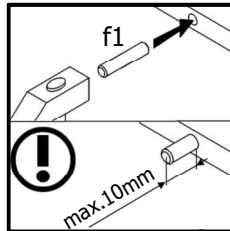
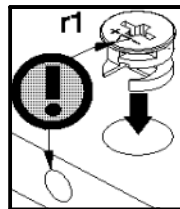
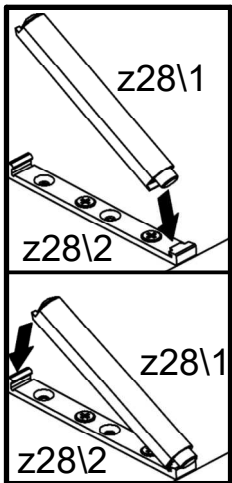
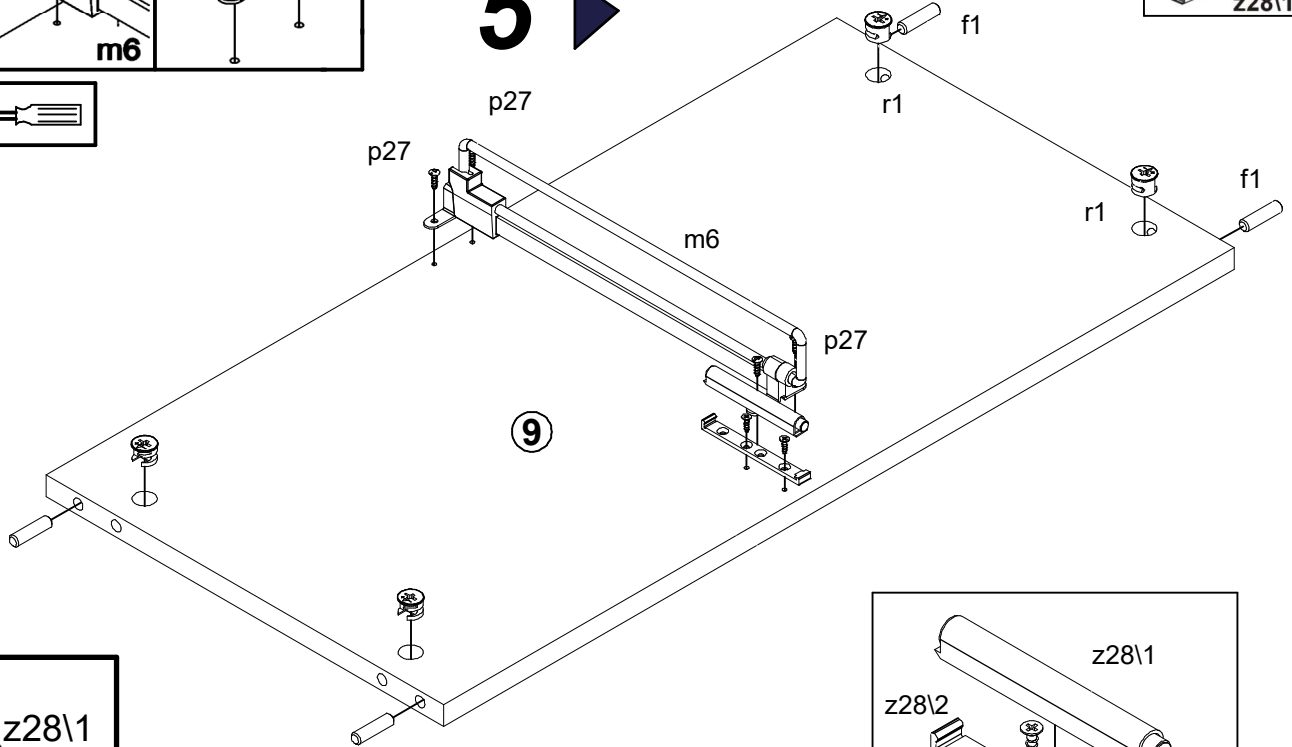
◀ 4



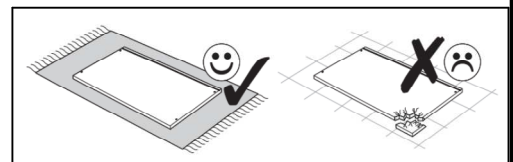
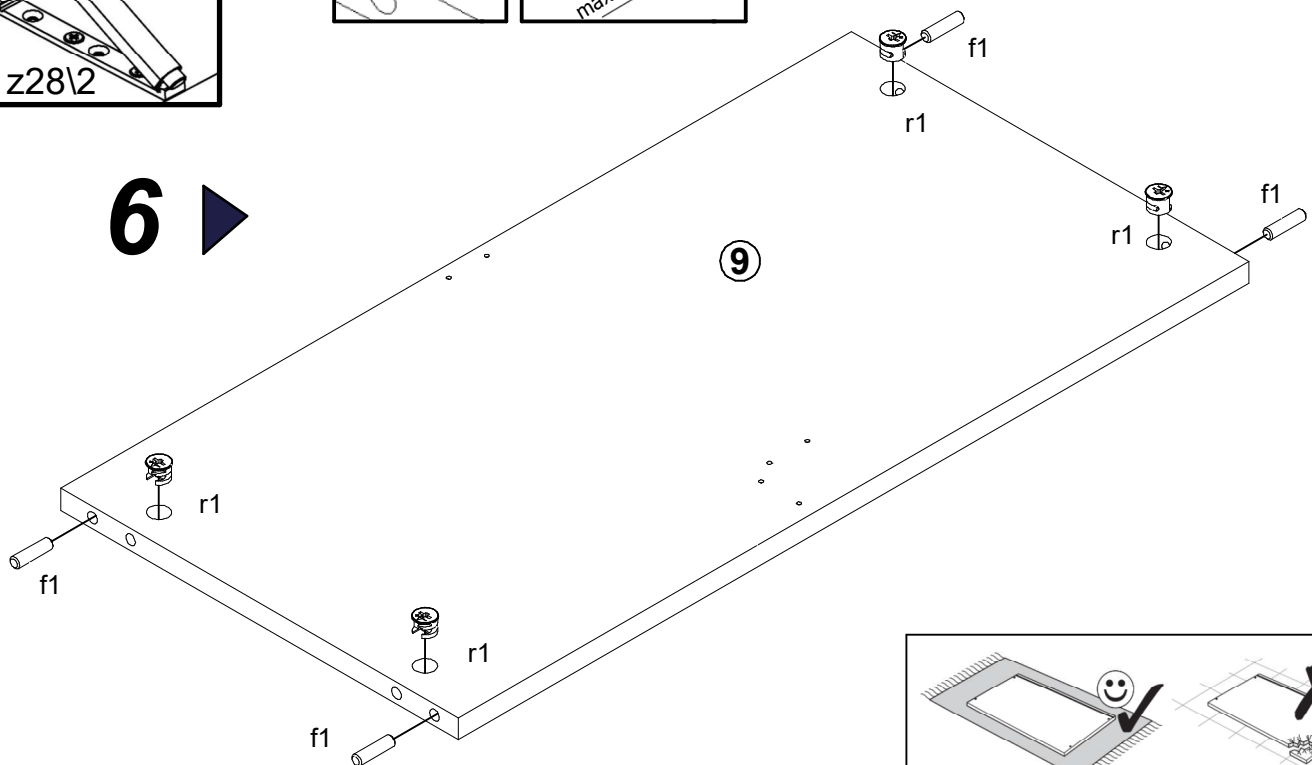


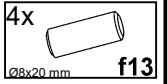
- 4x $\varnothing 3.5 \times 13$ mm p27
- 1x L=300 mm m6
- 8x $\varnothing 8 \times 30$ mm f1
- 8x $\varnothing 15 \times 12$ mm #16 r1
- 1x $\varnothing 3 \times 12$ mm z28\4
- 1x $82 \times 9.5 \times 6.5$ mm z28\2
- 1x z28\1

5 ▶

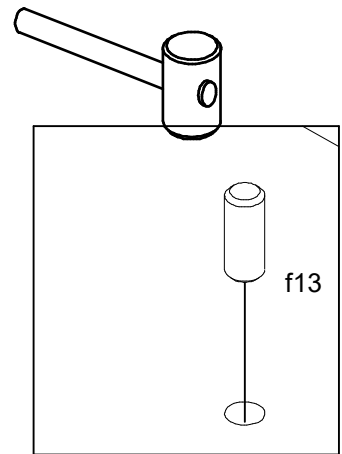
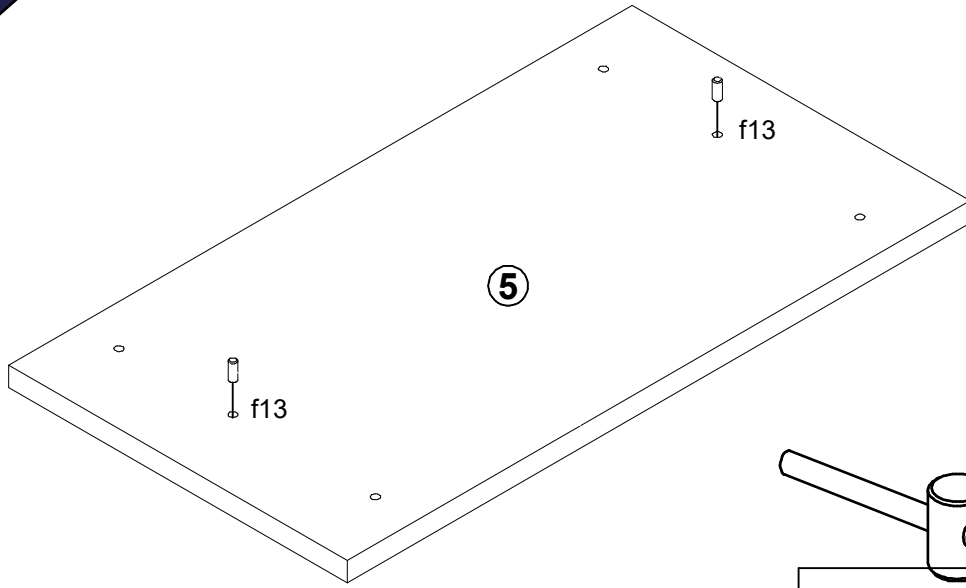


6 ▶

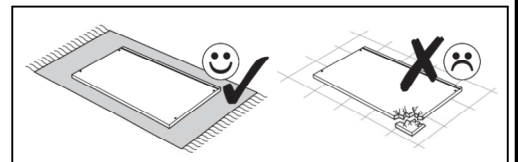
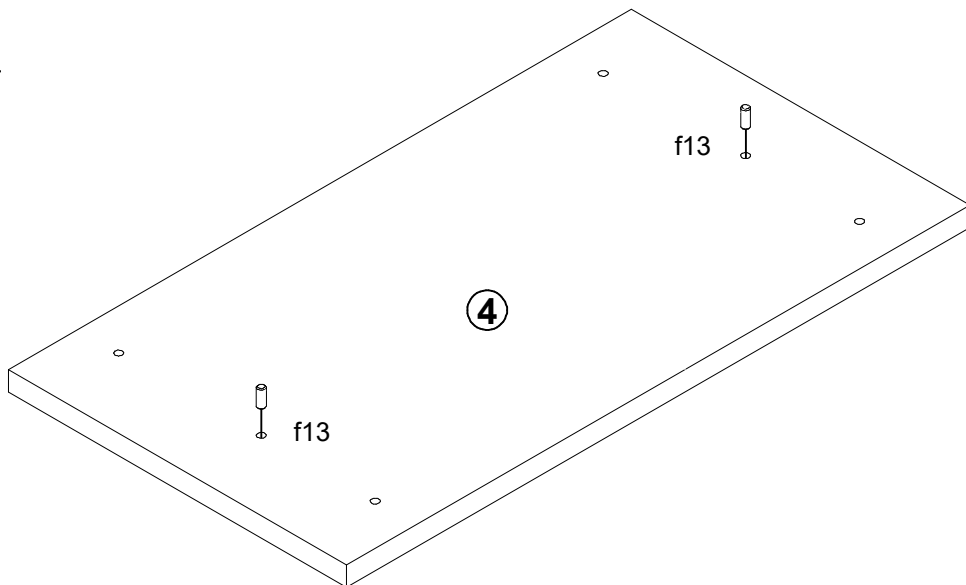




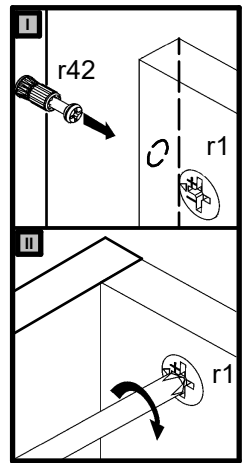
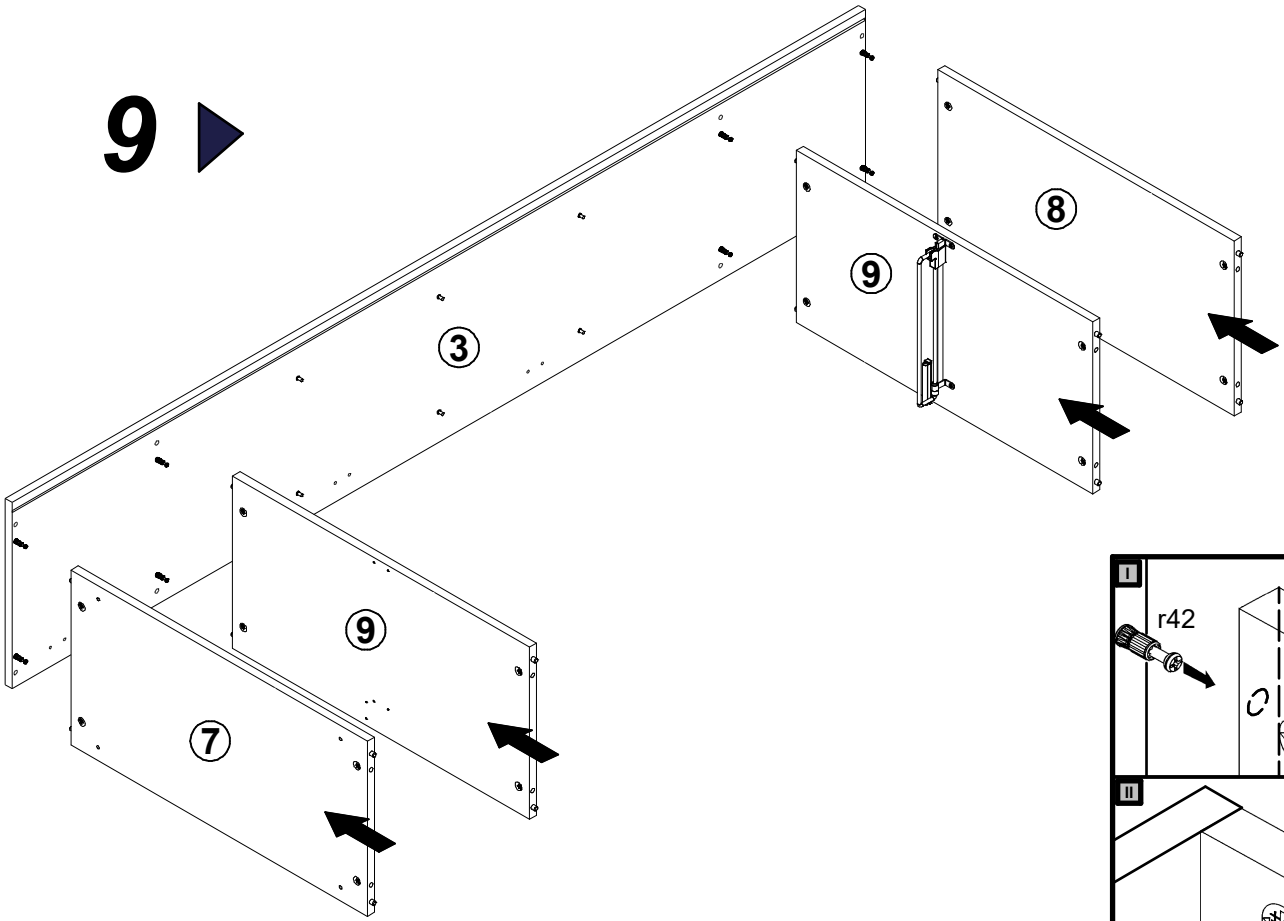
7 ▶



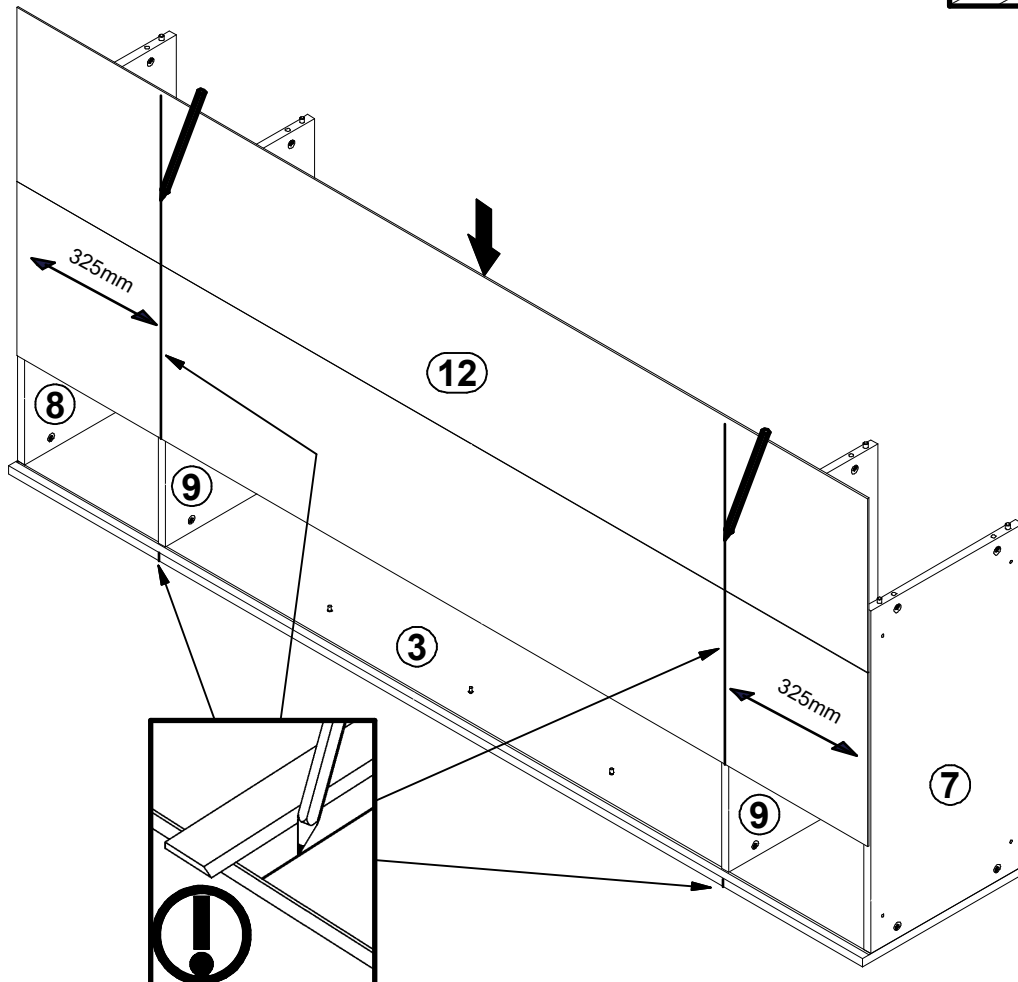
8 ▶

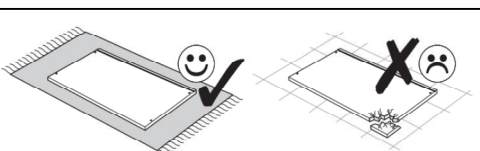
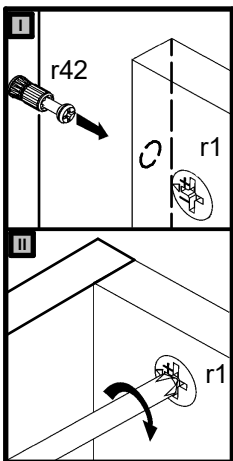
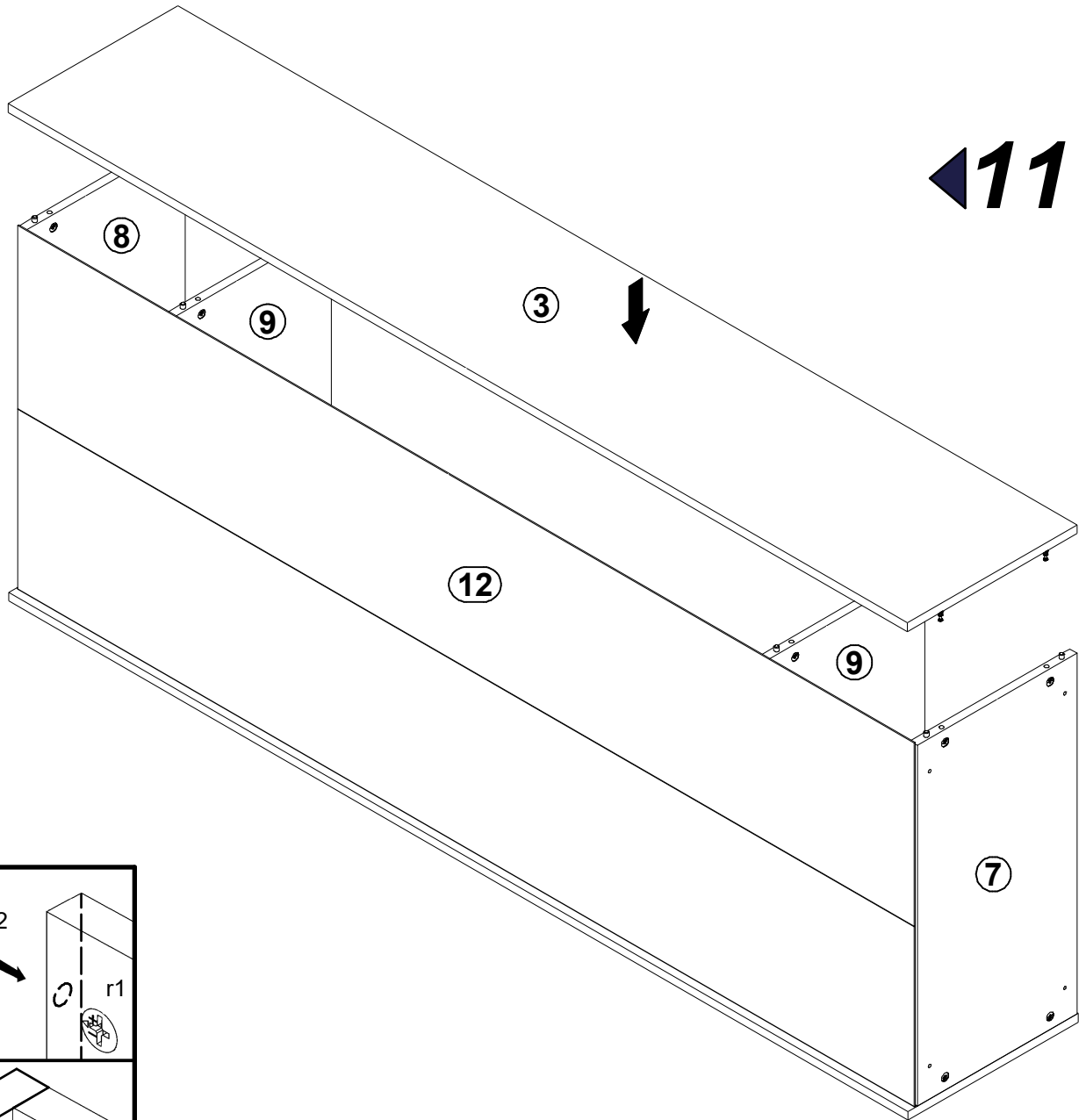


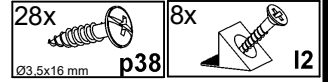
9 ▶



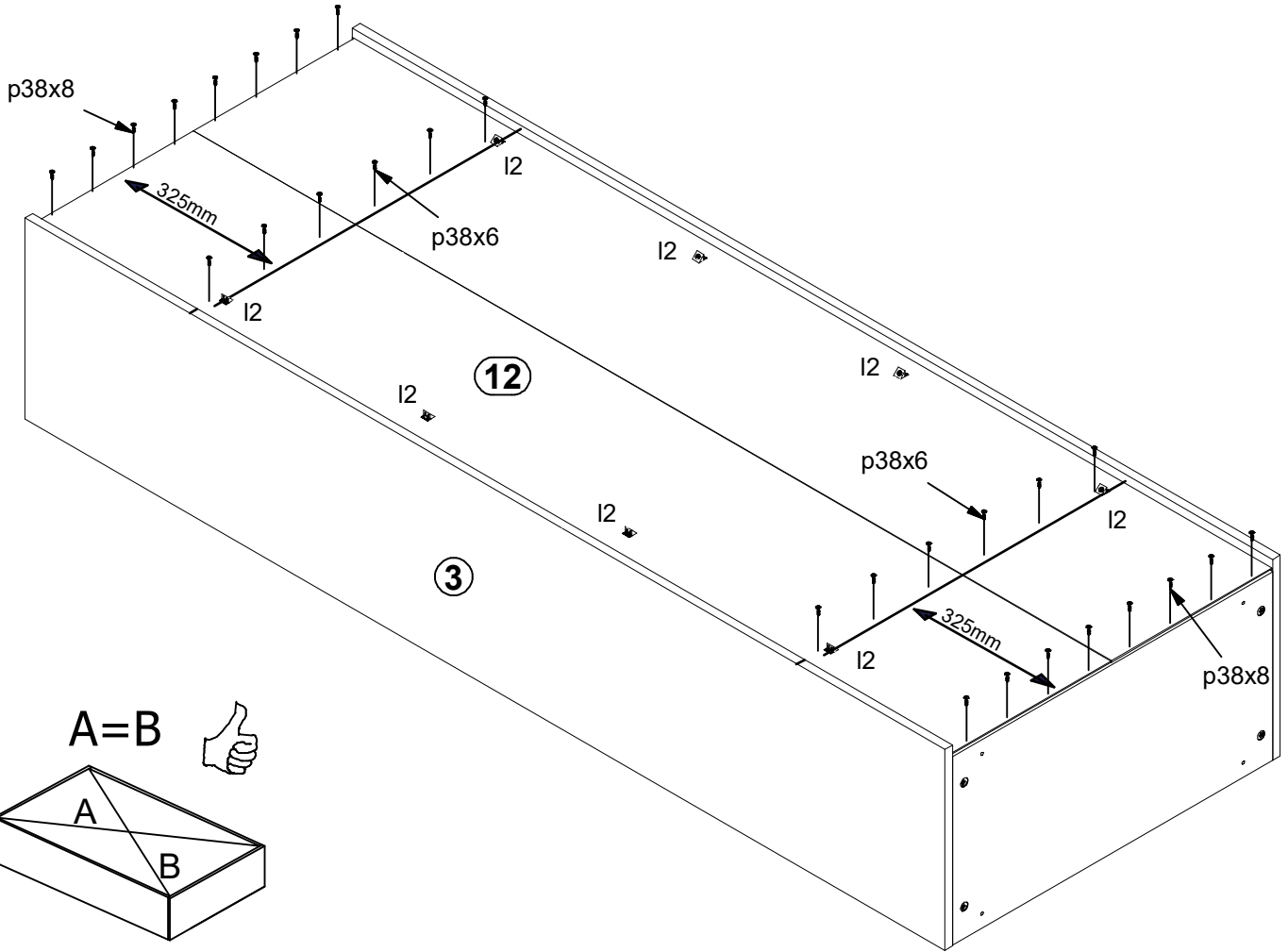
10 ▶



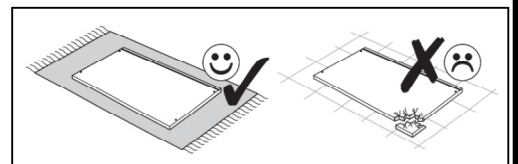
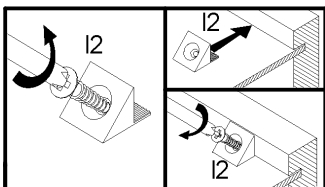
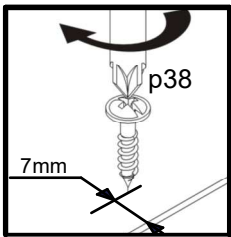
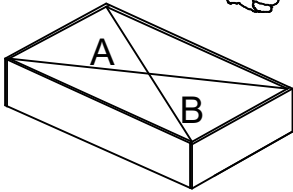






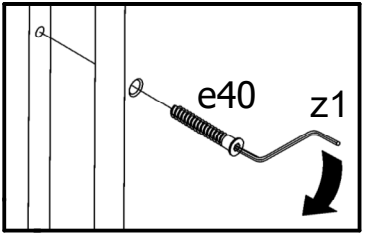
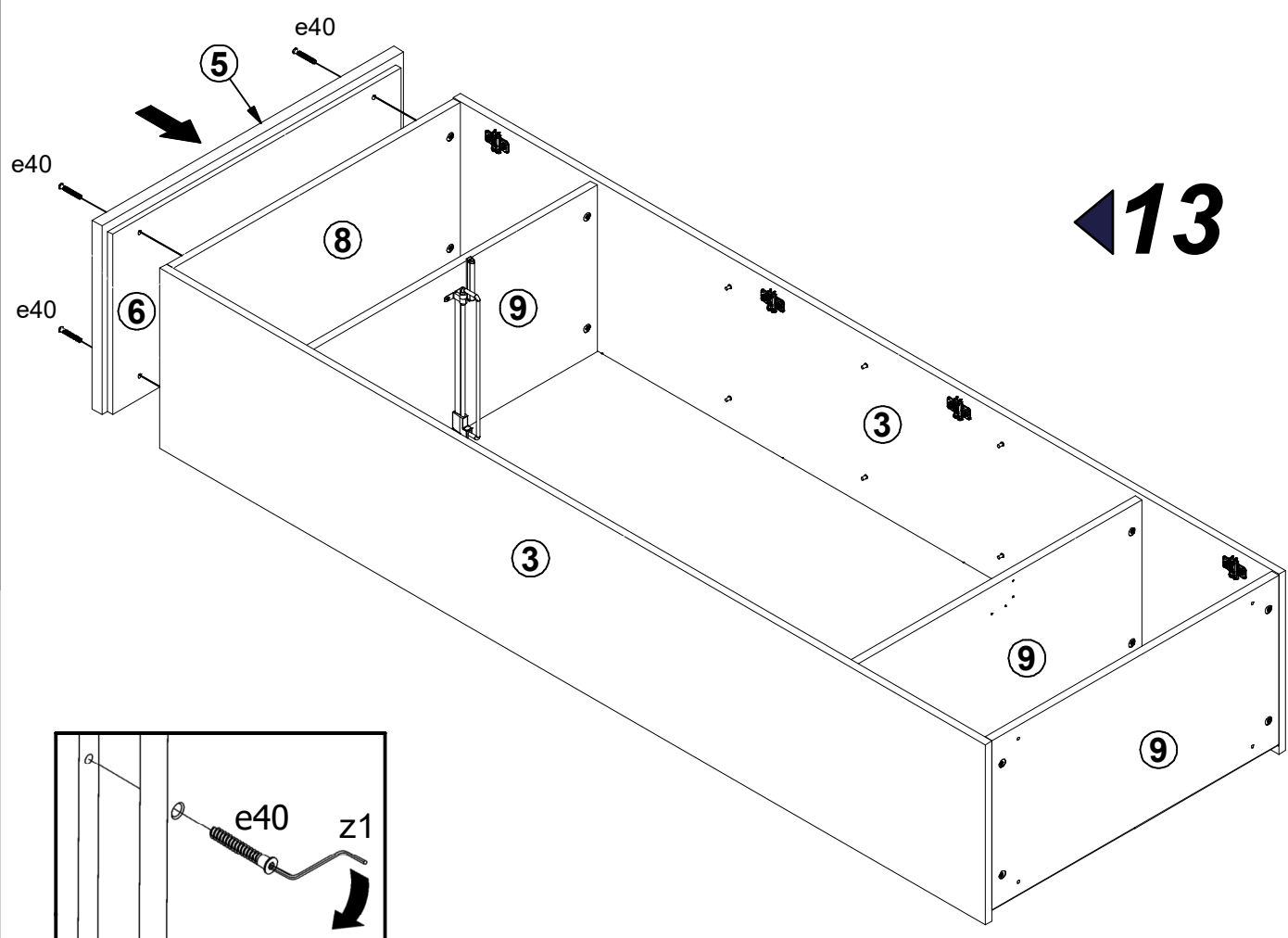
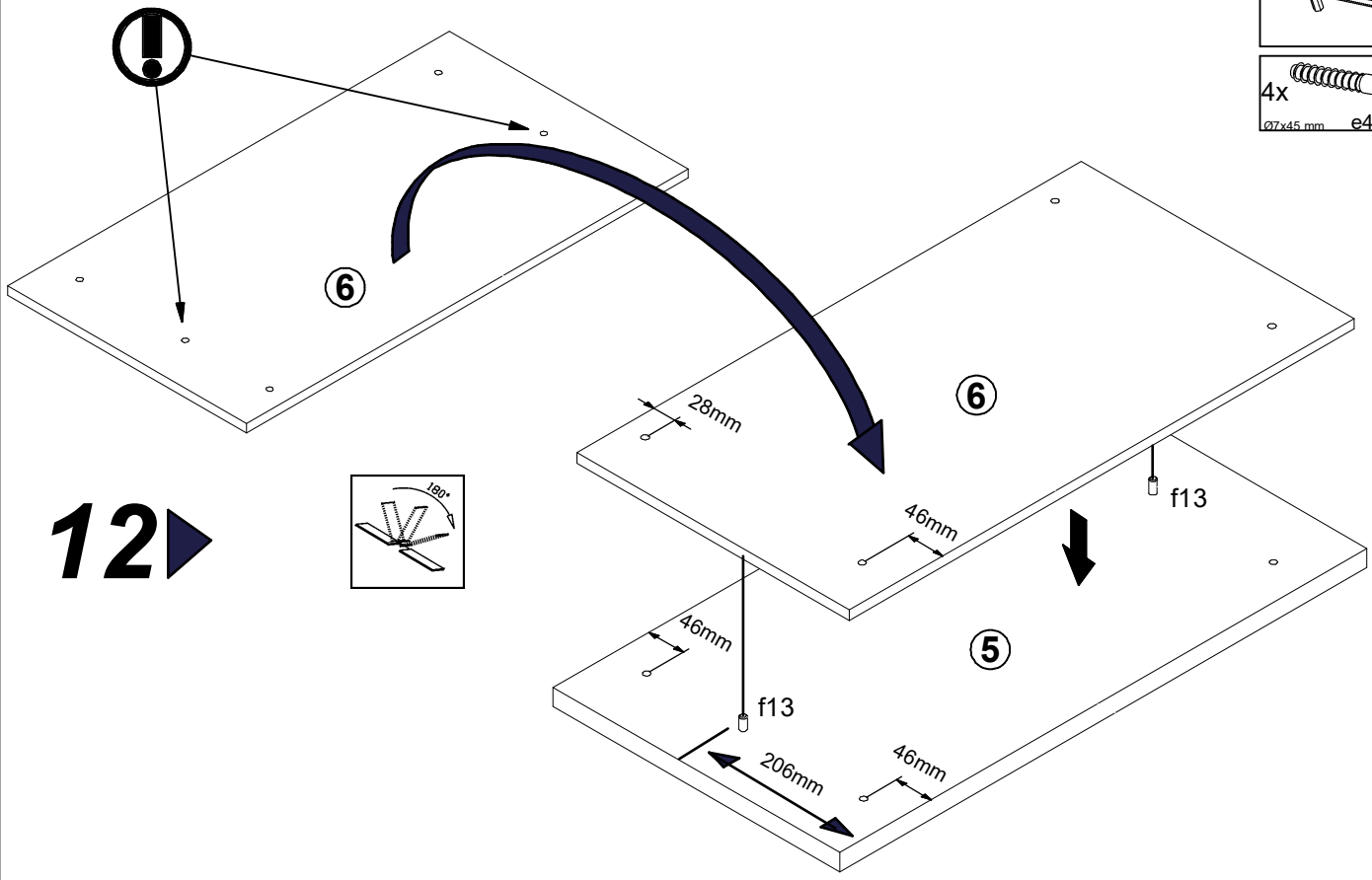
12▶

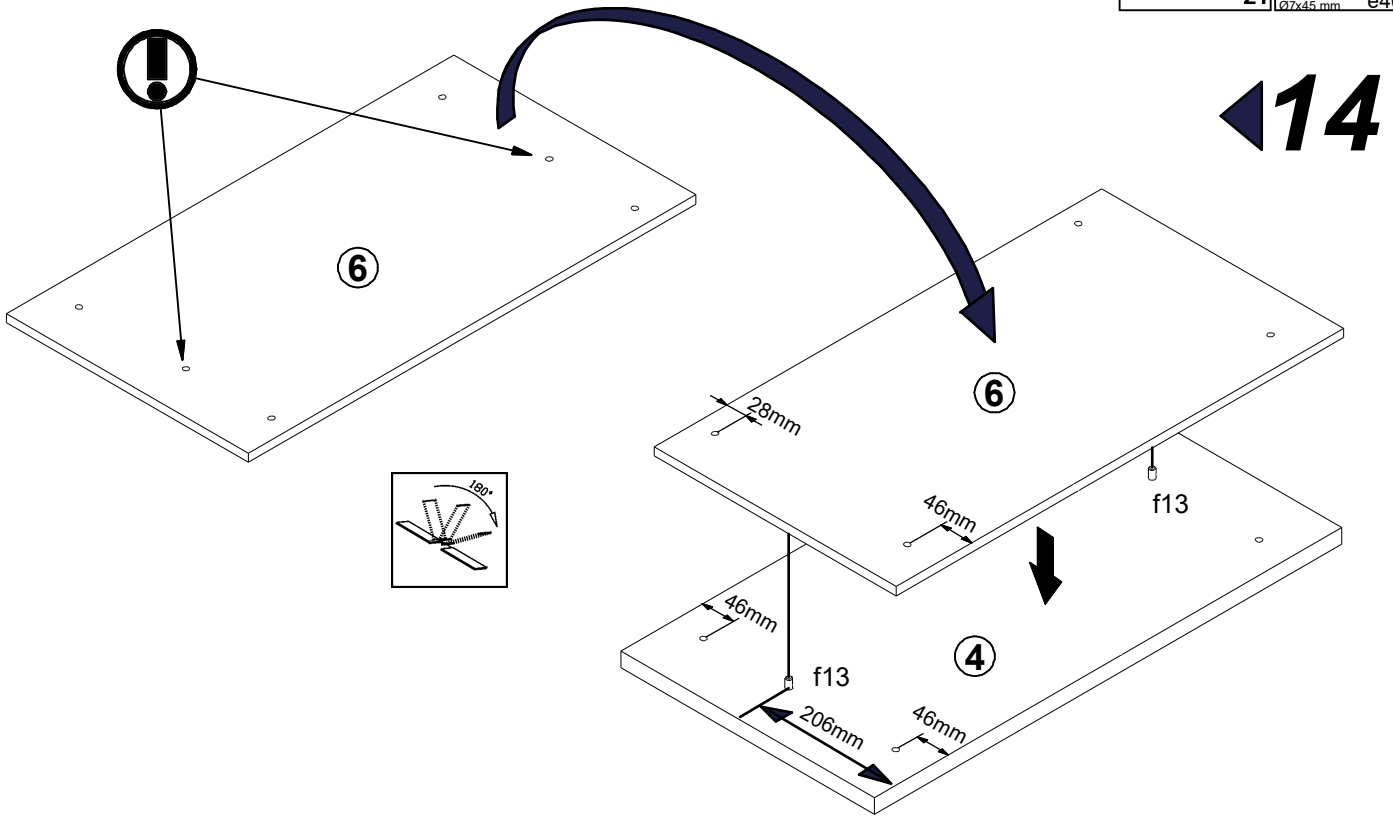
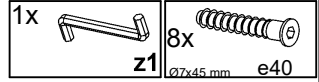


A=B

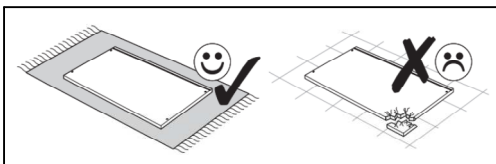
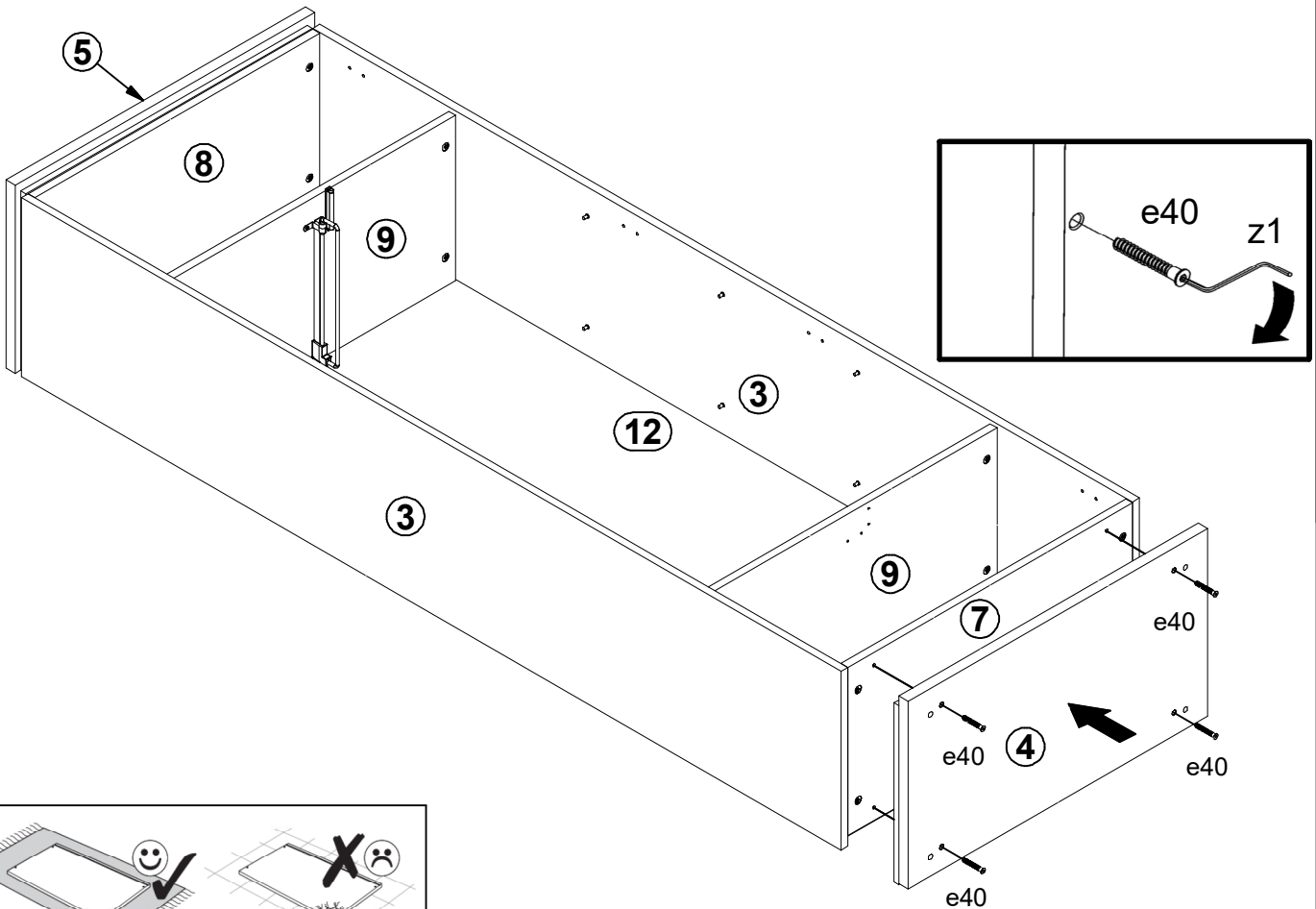


- 1x  z1
- 4x  e40

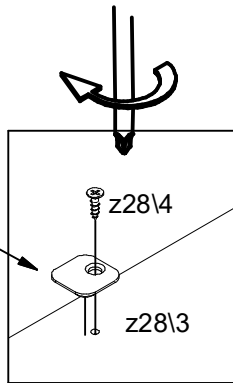
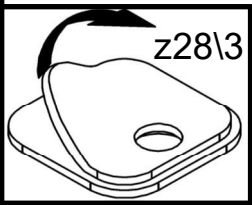
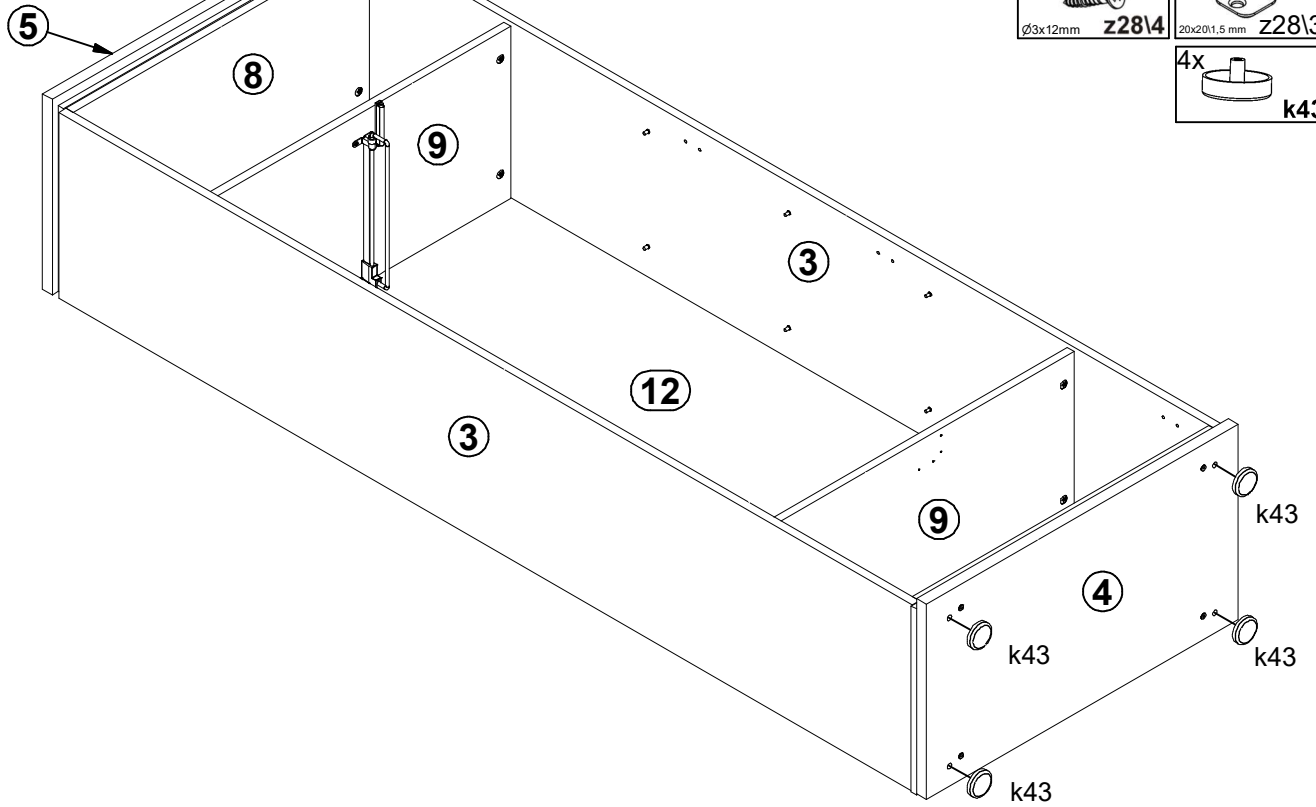




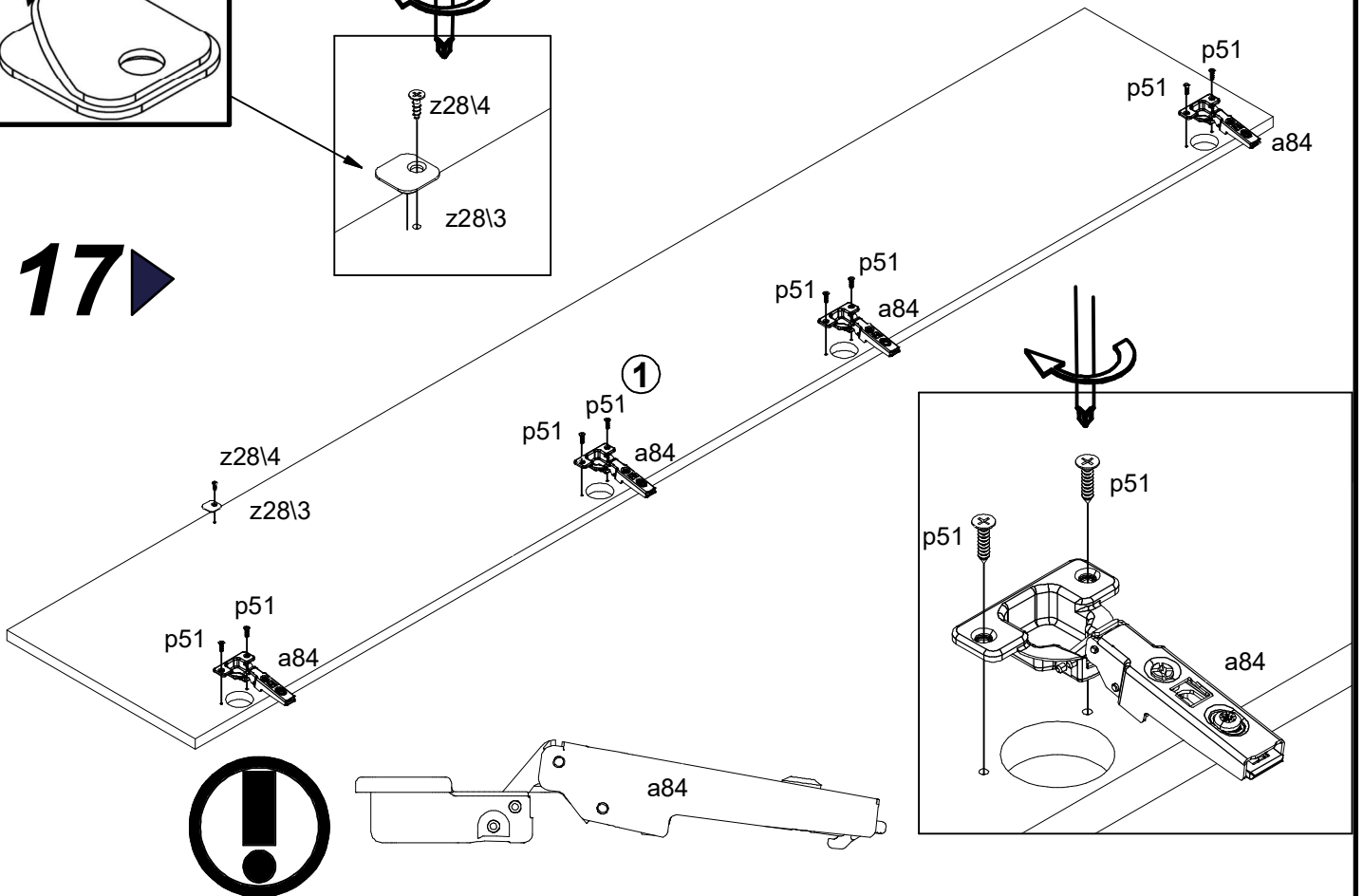
15

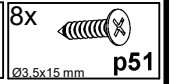
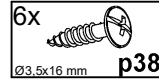


16 ▶

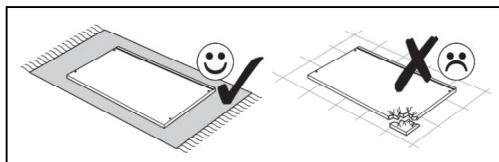
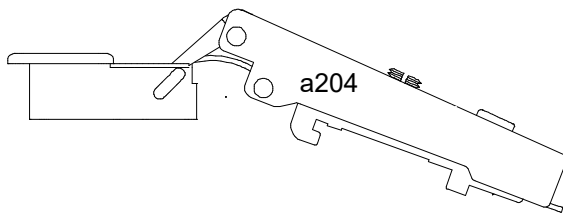
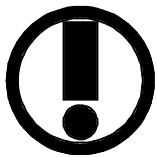
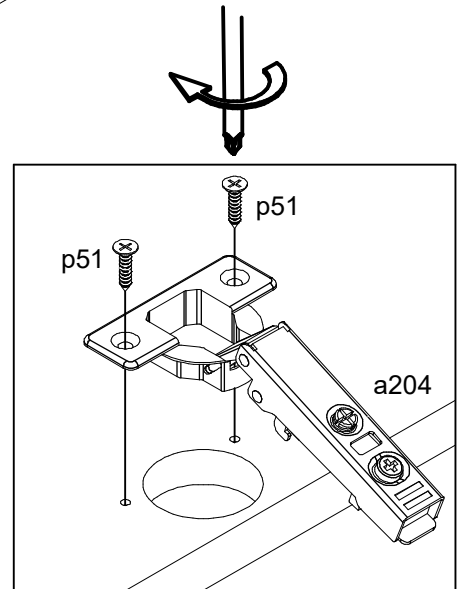
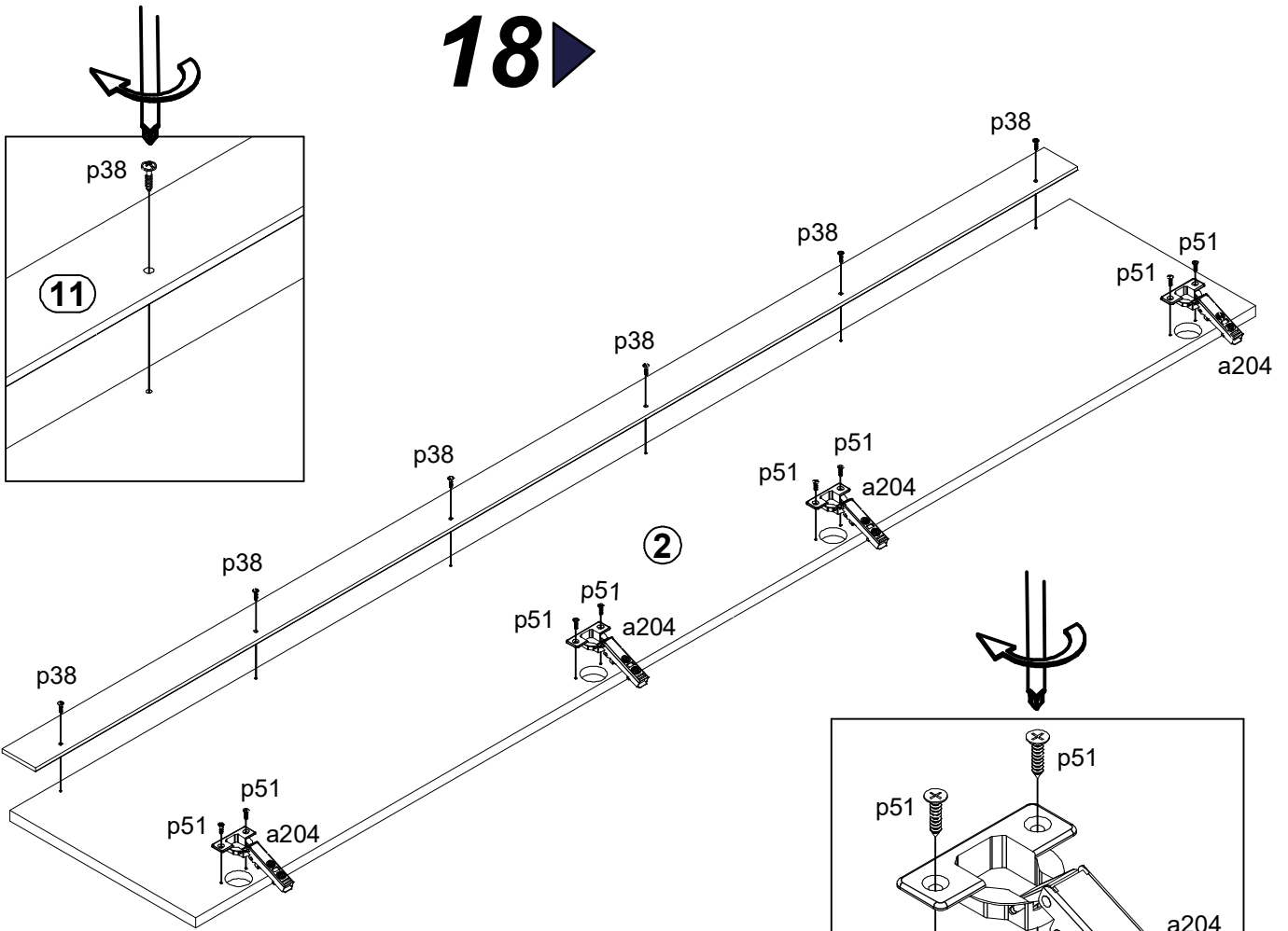


17 ▶

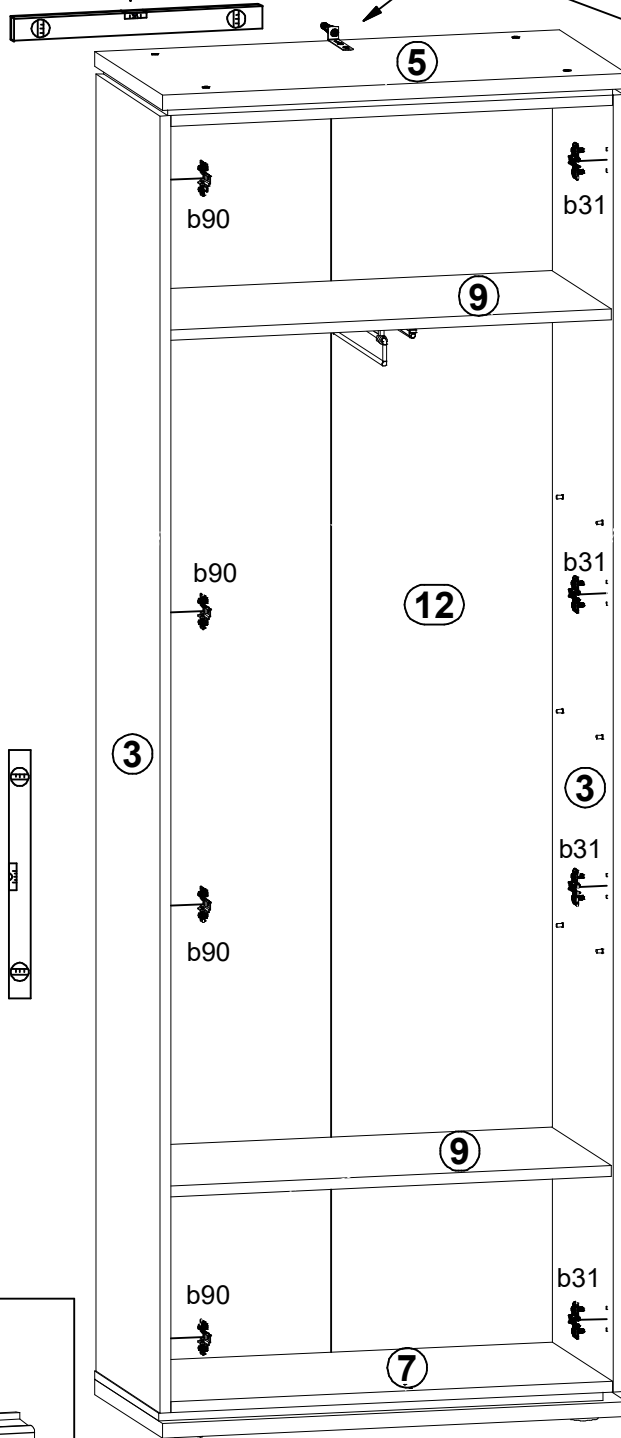
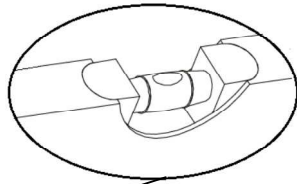




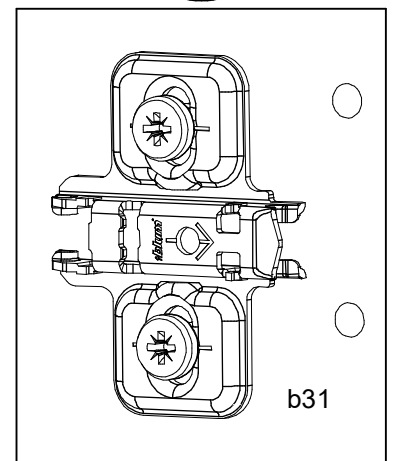
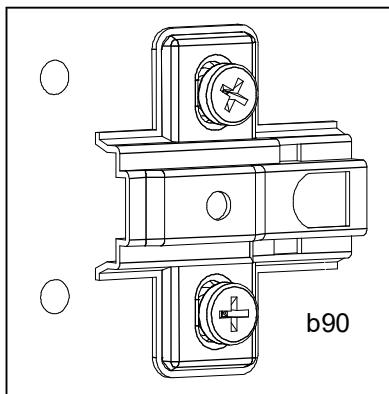
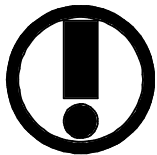
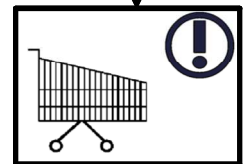
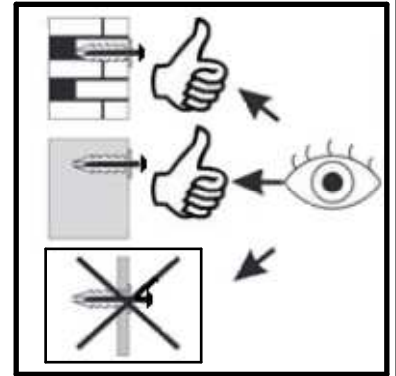
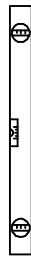
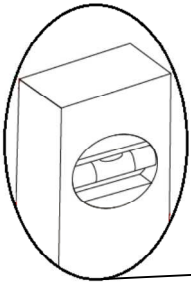
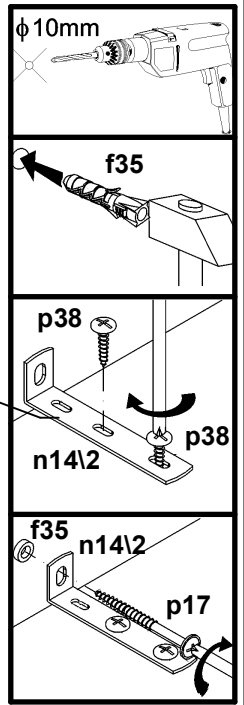
18▶

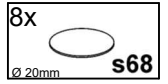


19 ▶



- 2x p38
Ø3.5x16 mm
- 1x f35
Ø10x50 mm
- 1x n1412
88x21x15/1.5
- 1x p17
Ø5x60 mm





20 ▶

