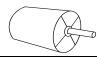
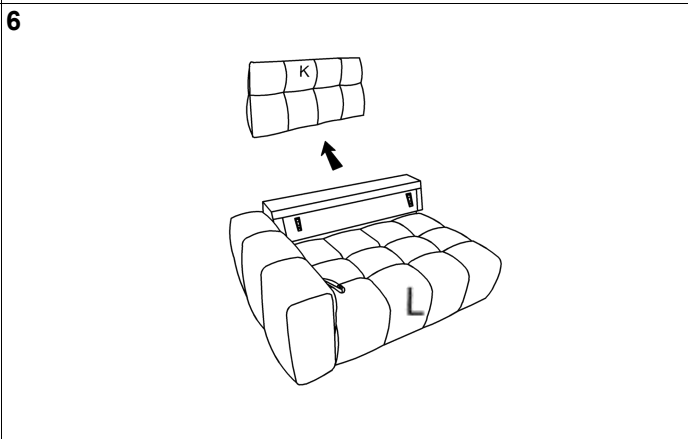
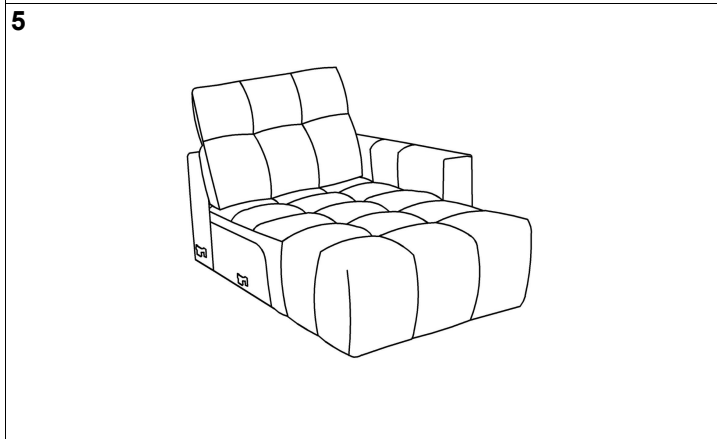
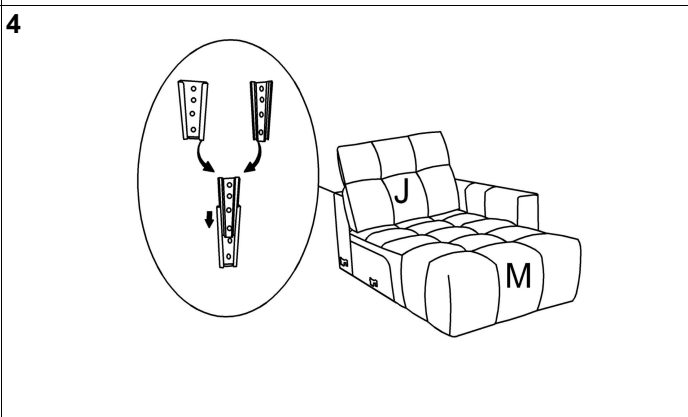
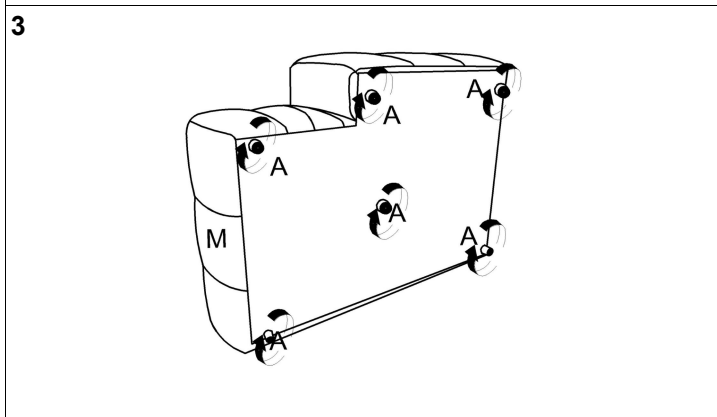
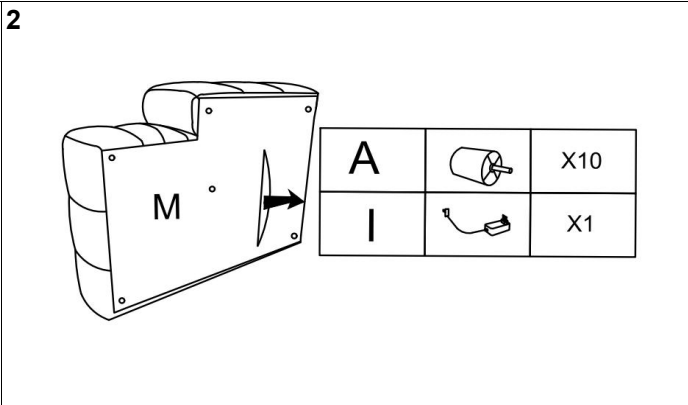
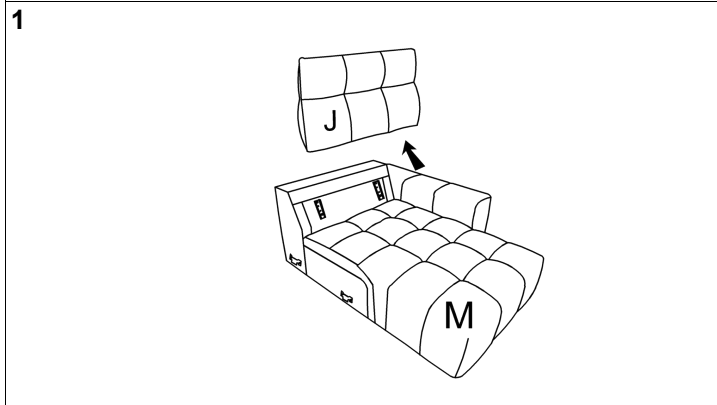
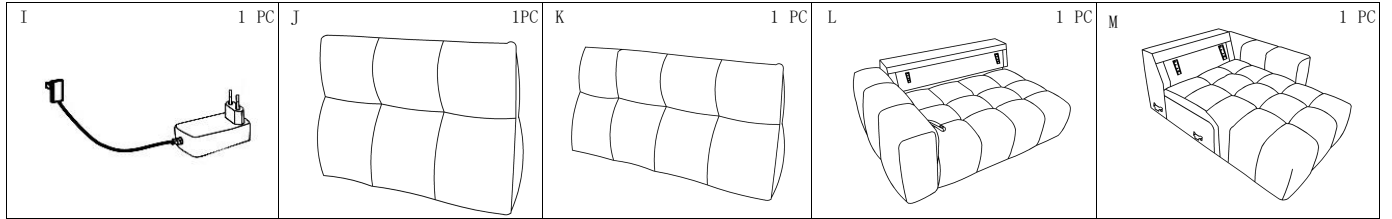
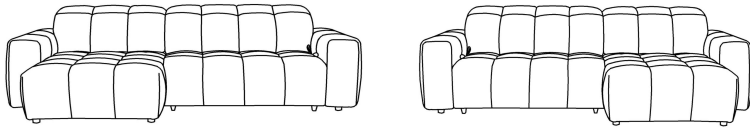
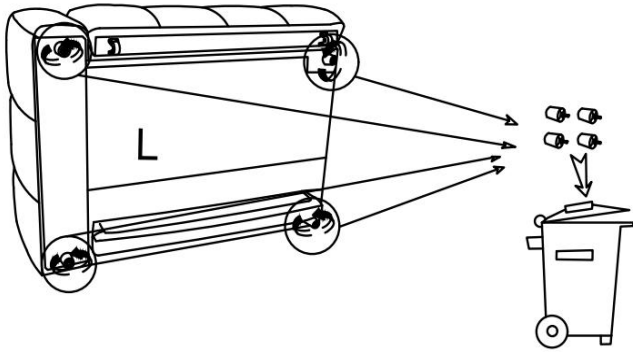


AMELIA/195060/195061

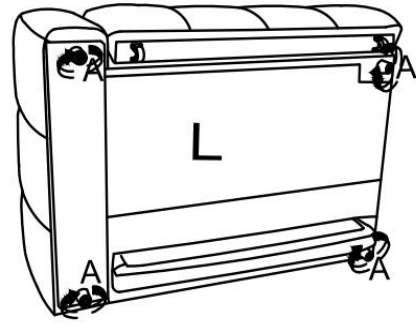
No.	HARDWARE	SPECIFICATION	QTY
A		Φ 45/50*50mm	10PCS



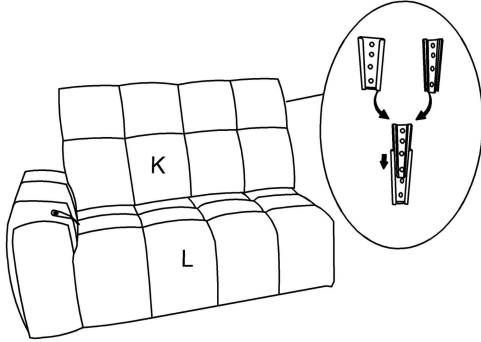
7



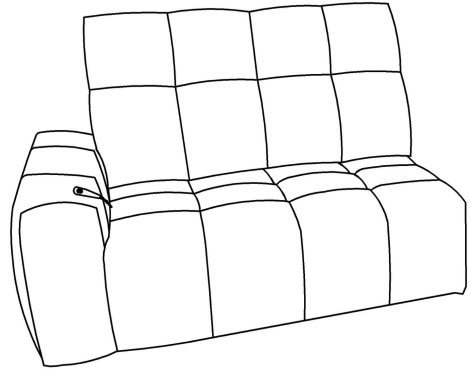
8



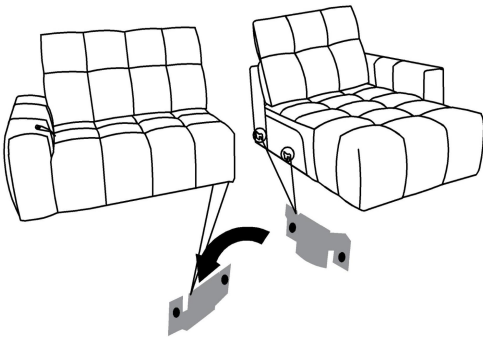
9



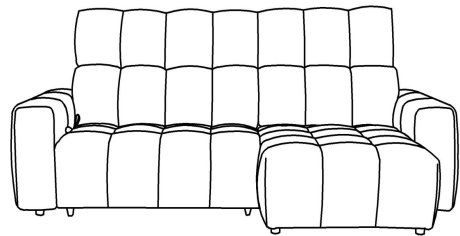
10



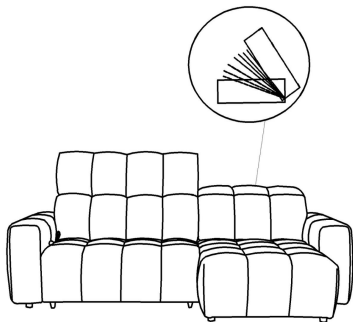
11



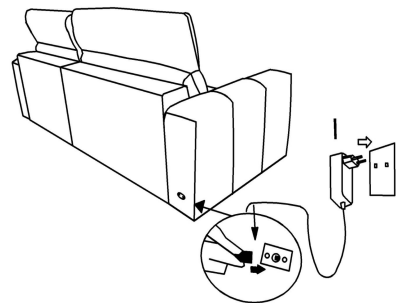
12



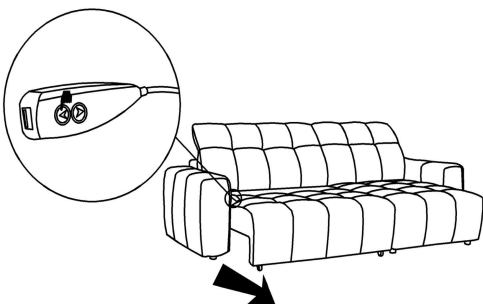
13



14



15



16

