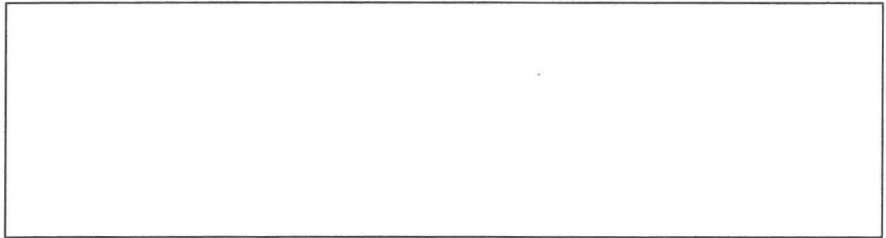
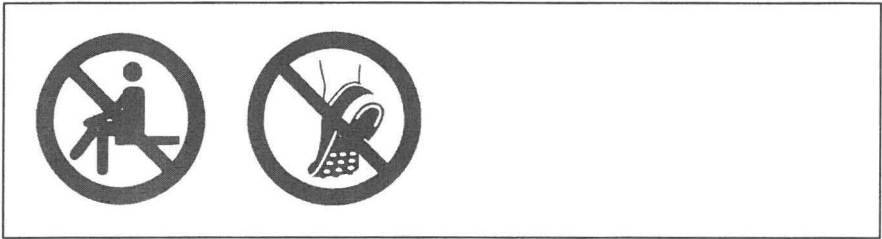


30 min

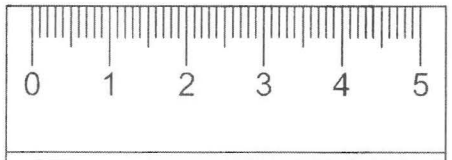
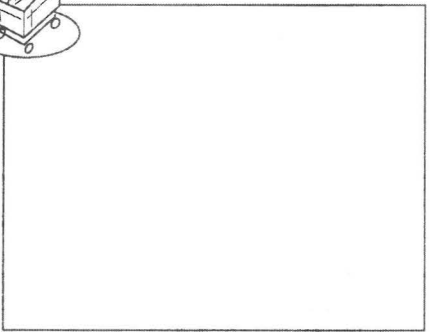
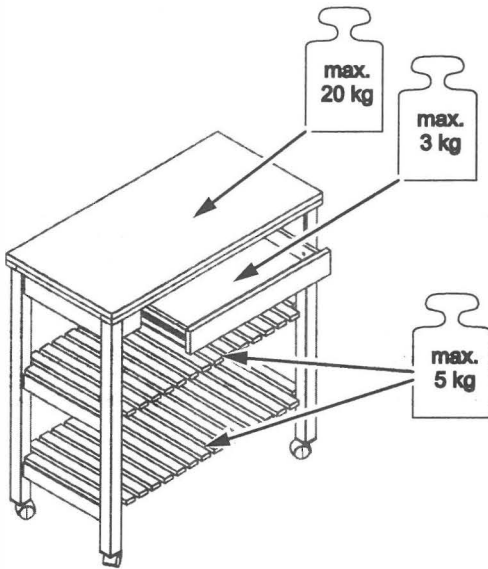
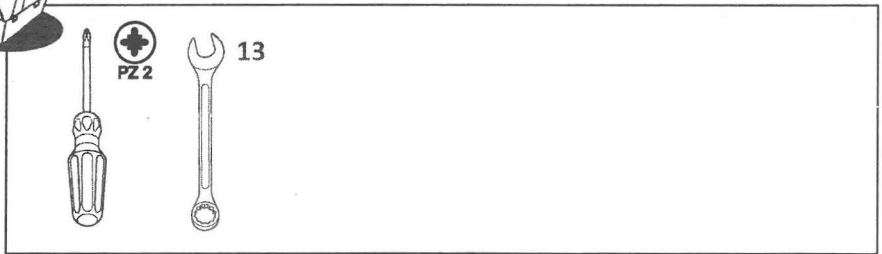





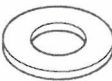
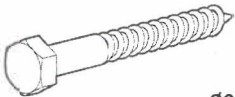
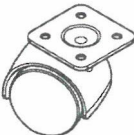
PZ2

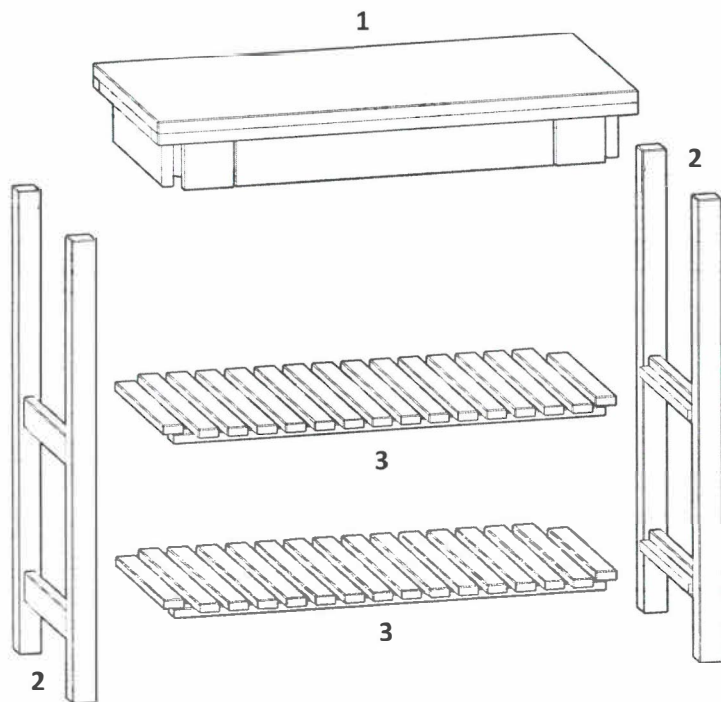


13






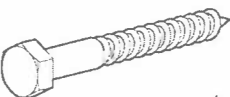
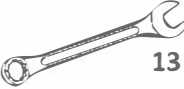
<p>A.31 x16</p>  <p>Ø4x16</p>	<p>E.4 x4</p>  <p>M8</p>	<p>E.21 x4</p>  <p>Ø8x70</p>
<p>F.40 x4</p> 		

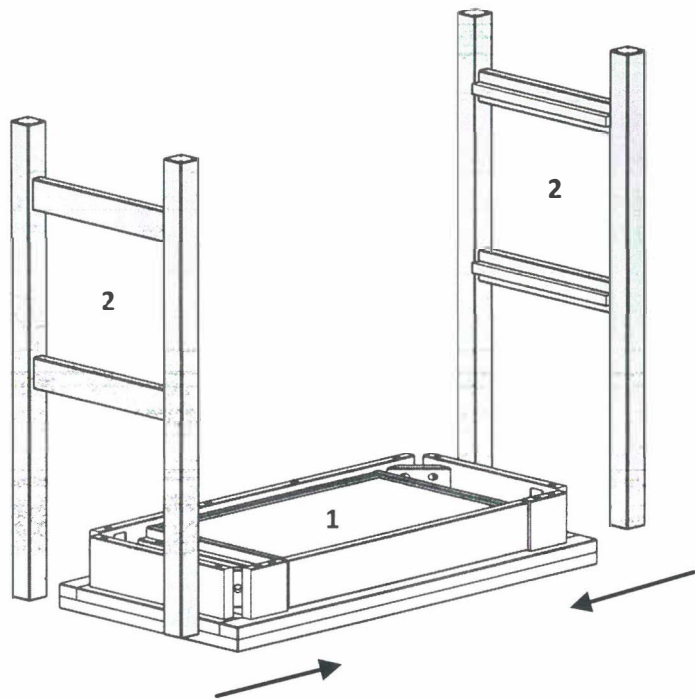
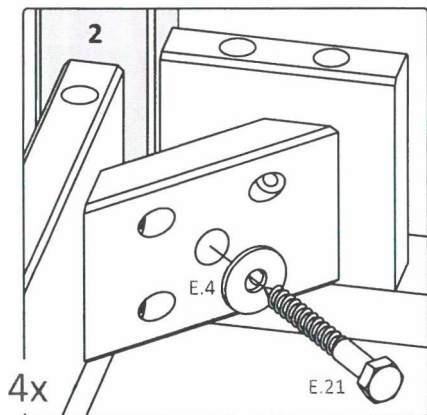


No		Sizes	Coll
1	x1	800x400x120	1.1
2	x2	765x380x40	1.1
3	x2	755x376x32	1.1



1

E.4  M8	x4 E.21  Ø8x70	x4  13
--	---	--





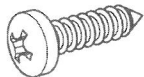
2

A.31

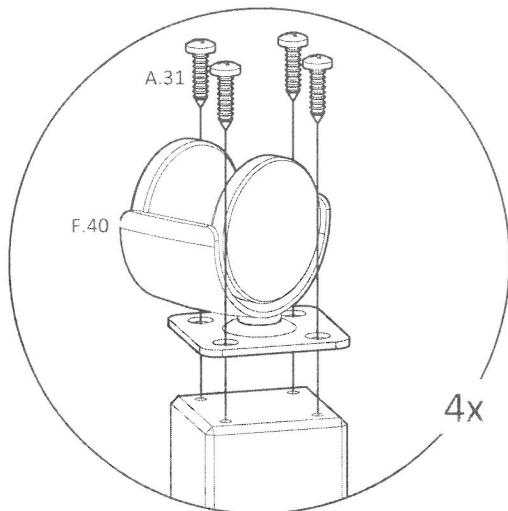
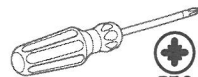
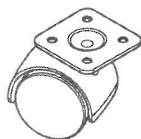
x16

F.40

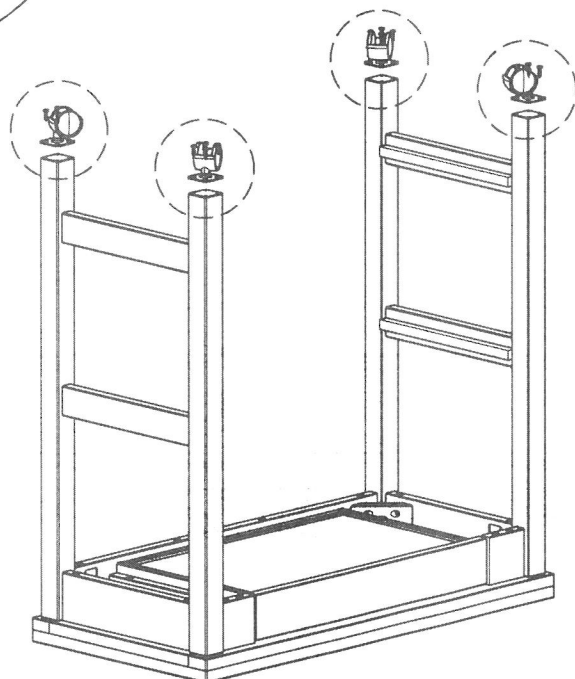
x4



Ø4x16



4x

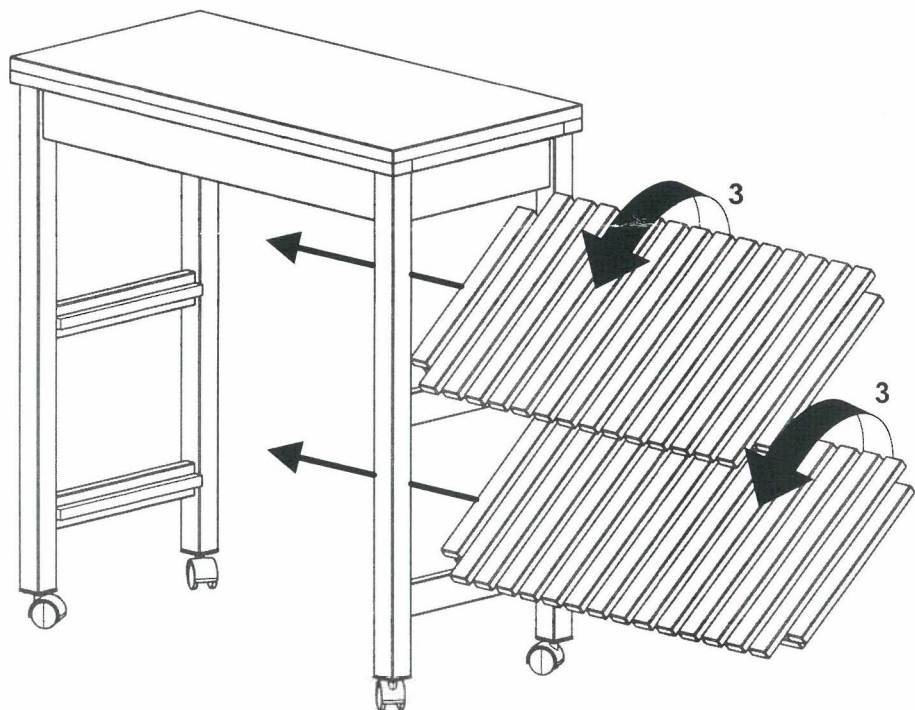


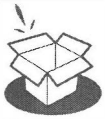
180°

5



3





4

