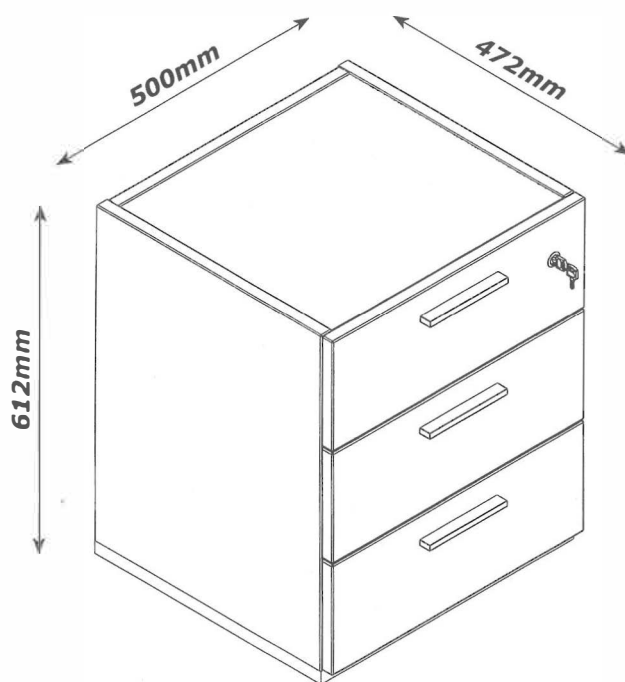


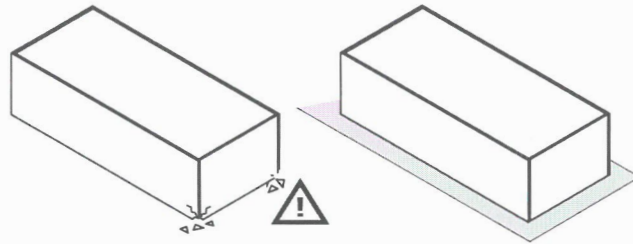
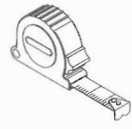
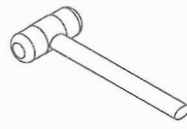
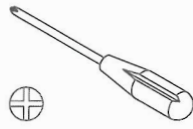
CT4855K85906



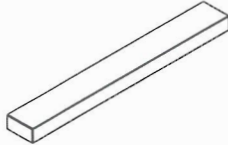
QF06272



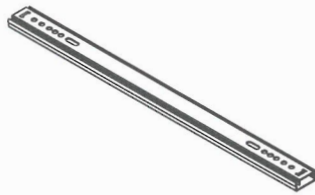
MADE IN ITALY
Produced by COMPOSAD s.r.l. Via Lombardia 29, 46019 Viadana (MN) ITALY



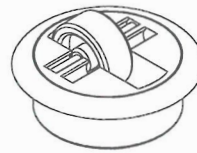
BU4938



M203
x3



A34
x6

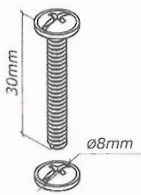


H256
x4

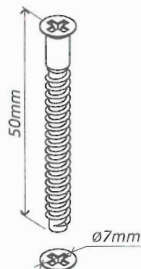


H257
x4

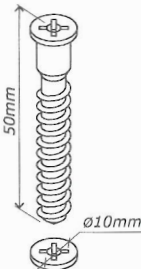
BU4937



V35
x6



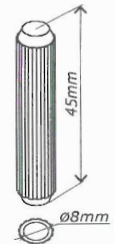
V130
x12



V45
x4



T28
x10



H325
x12



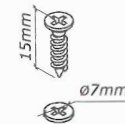
T98
x6



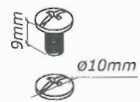
T99
x4



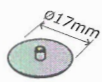
H54
x12



V5
x28



V38
x6



G136
x6



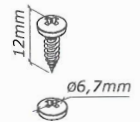
H2
x16



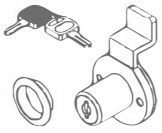
H113
x6



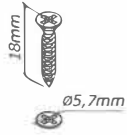
H194
x1



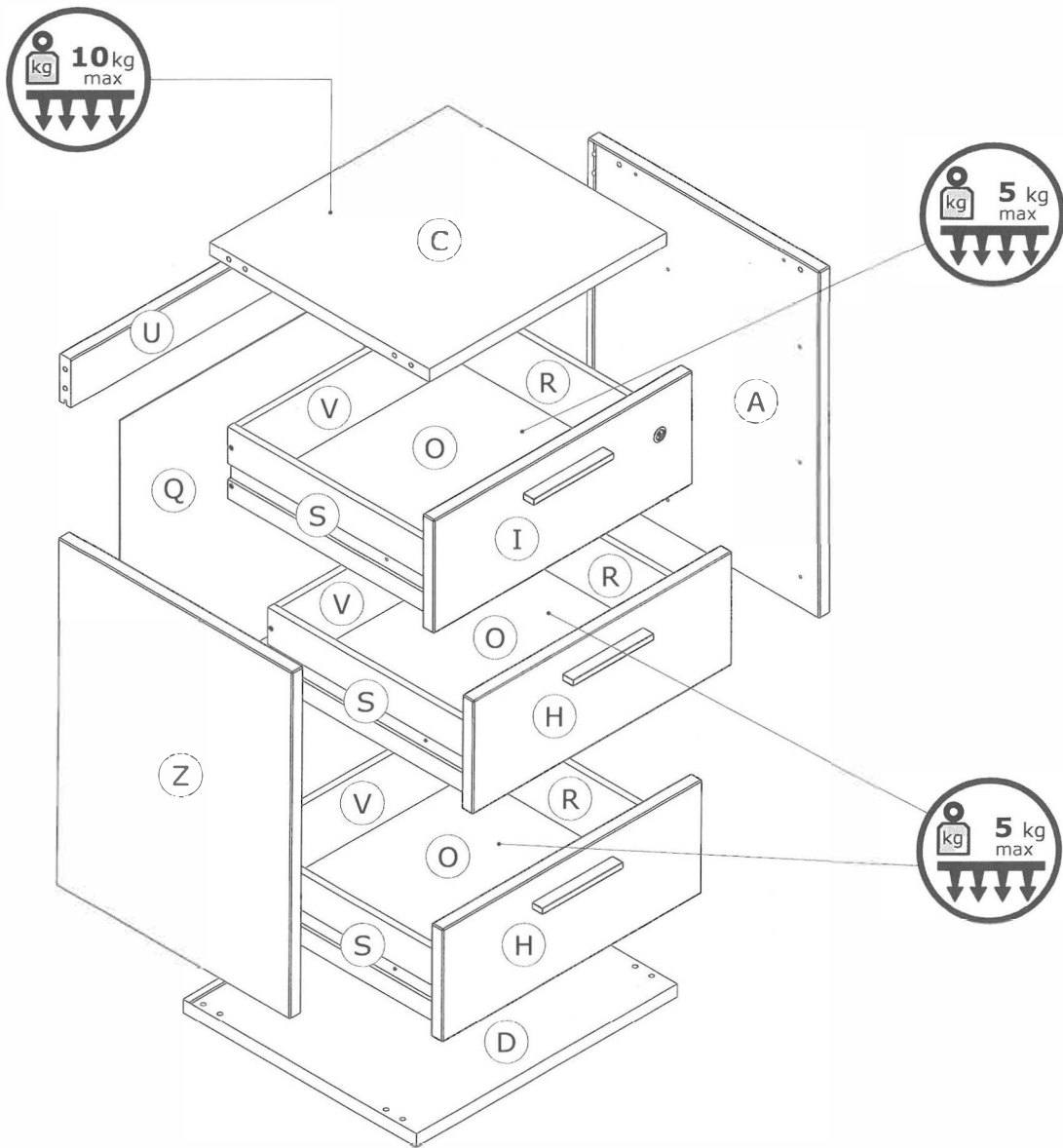
V98
x2

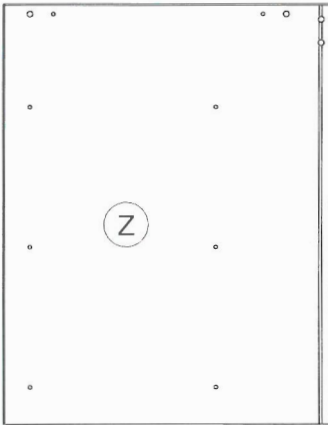


H190
x1

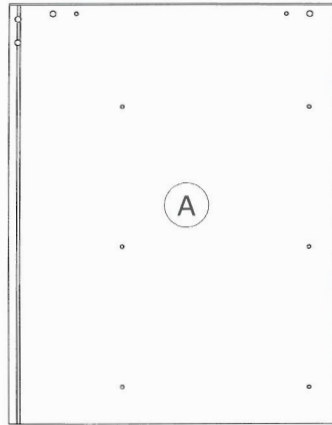


V88
x2

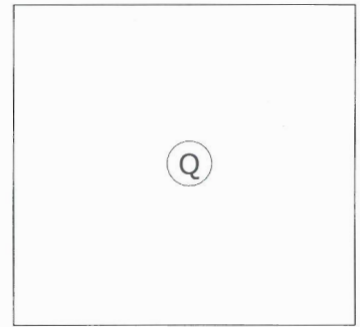




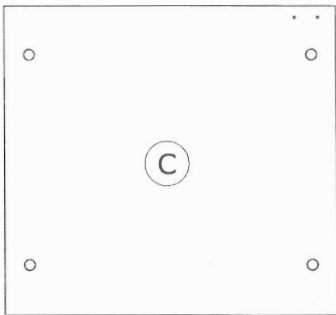
FI9229
576x449x22mm



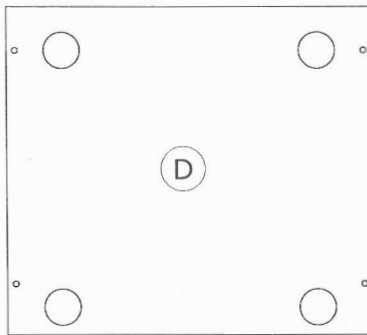
FI9228
576x449x22mm



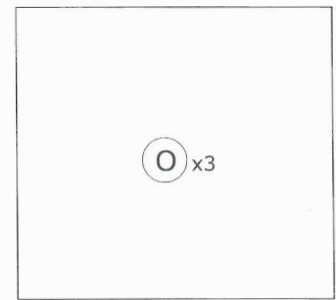
SH3725
510x470x22mm



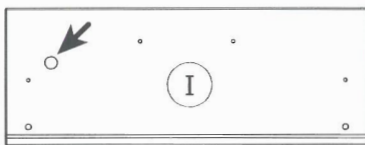
PI07922
456x424x22mm



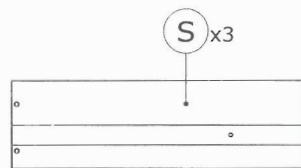
BA2371
501x450x22mm



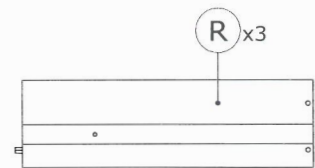
SH3513
435x400x22mm



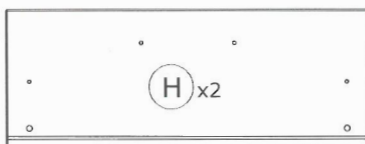
CS05171
499x189x22mm



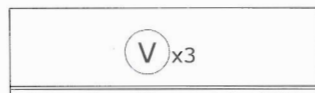
OS0374
400x120x12mm



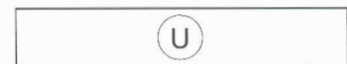
OS0373
400x120x12mm



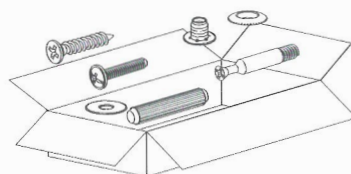
CS05174
499x189x22mm



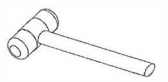
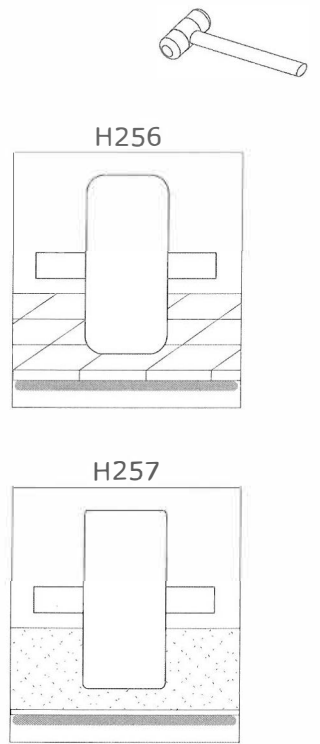
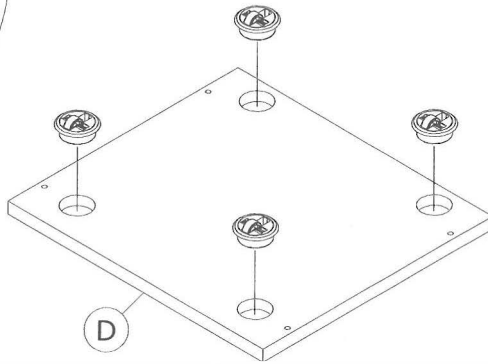
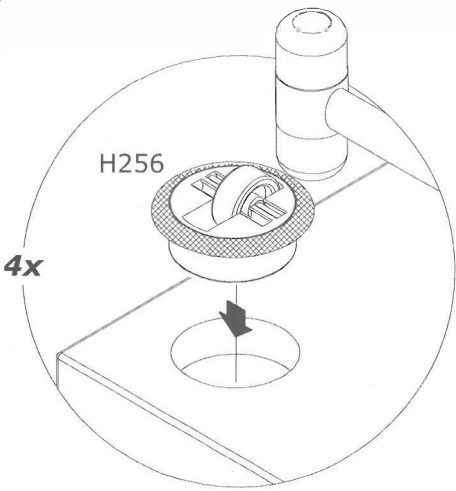
OS0357
424x120x12mm



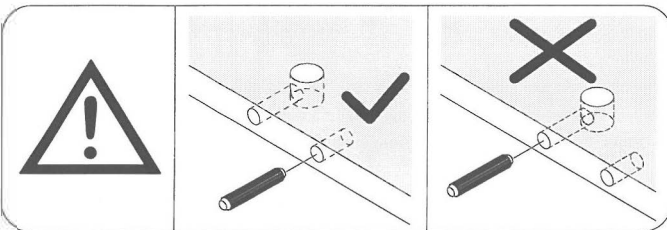
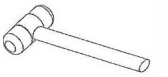
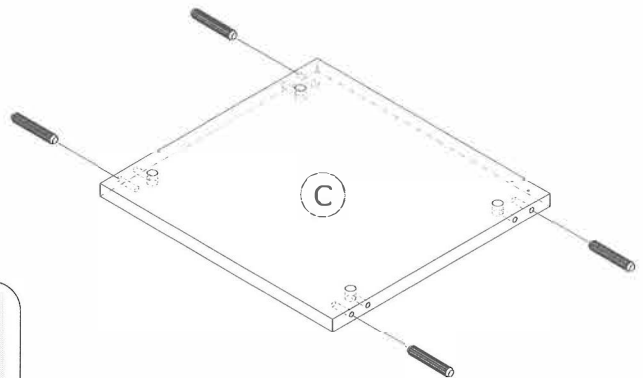
FS4785
456x80x22mm



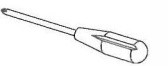
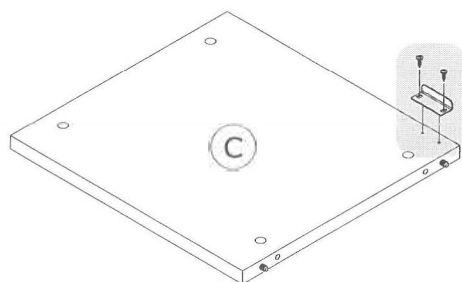
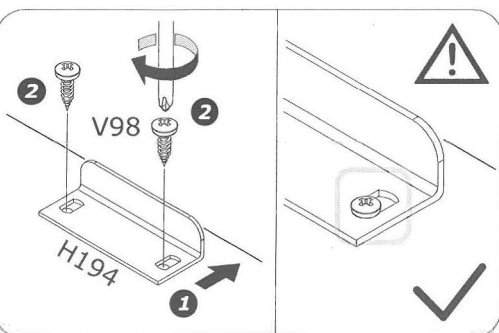
1



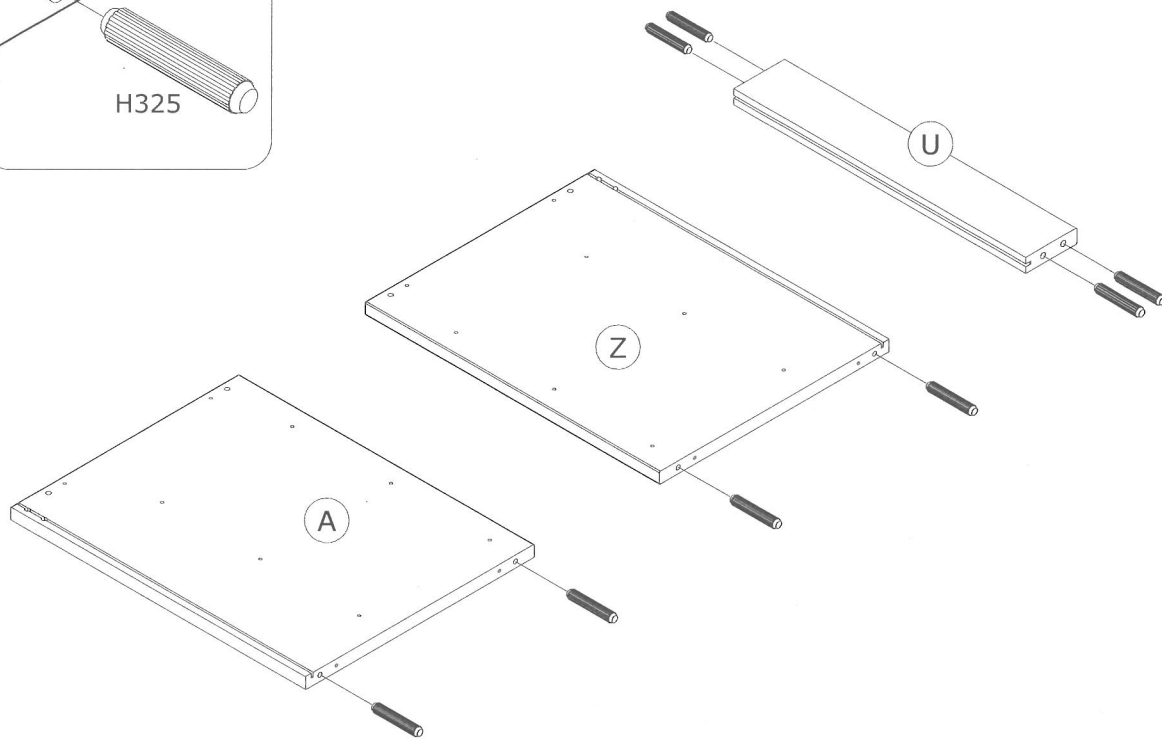
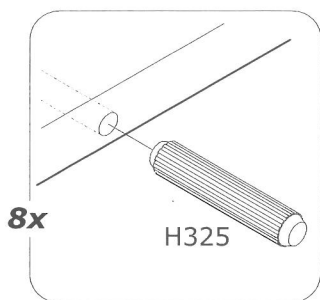
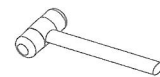
2



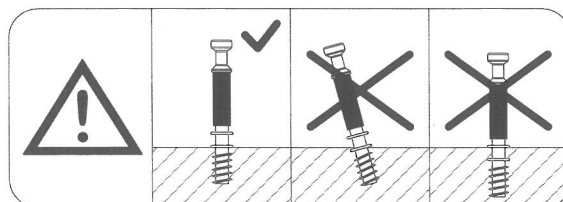
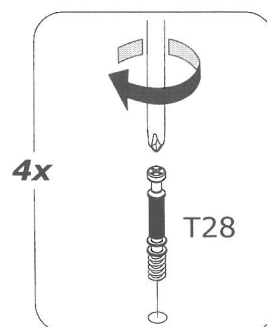
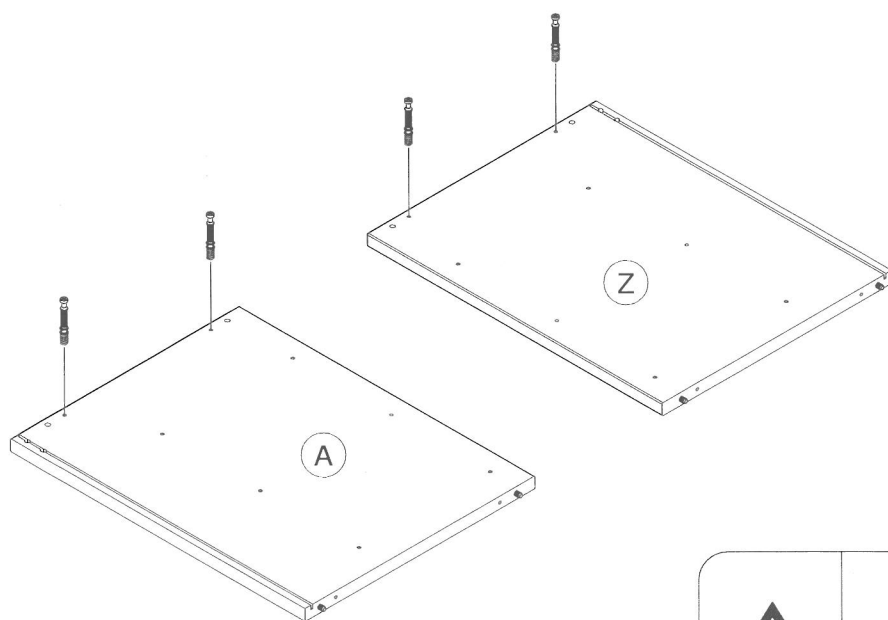
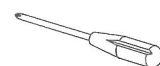
3



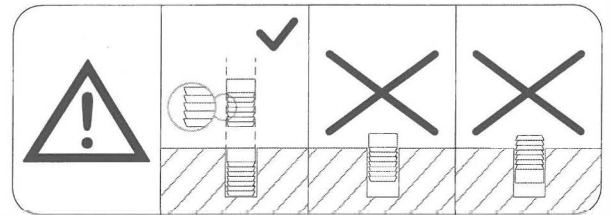
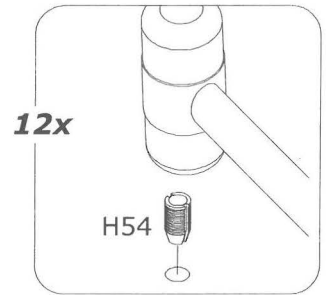
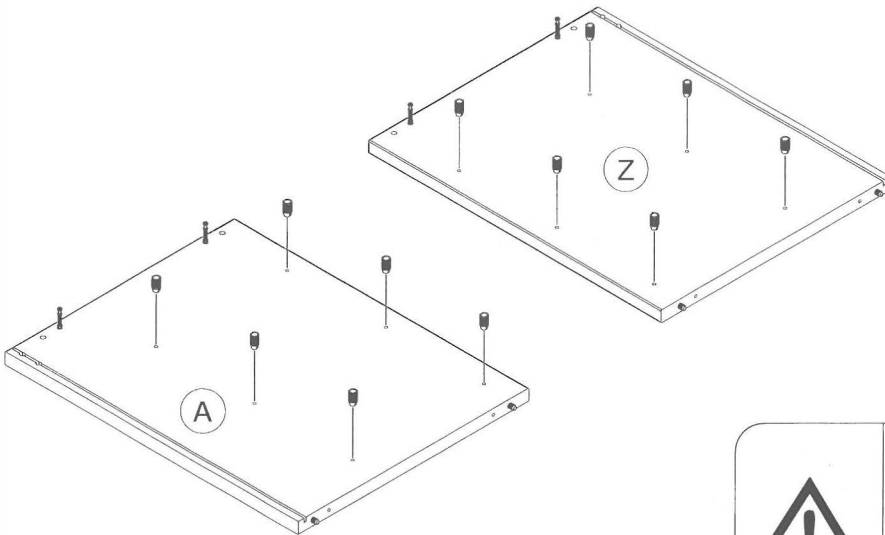
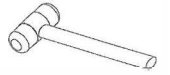
4



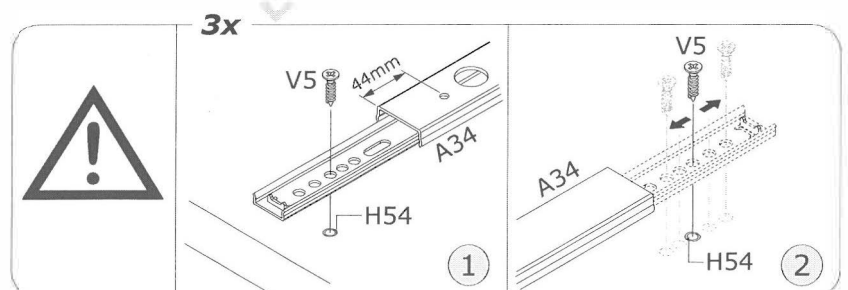
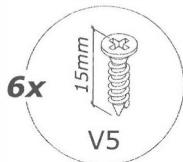
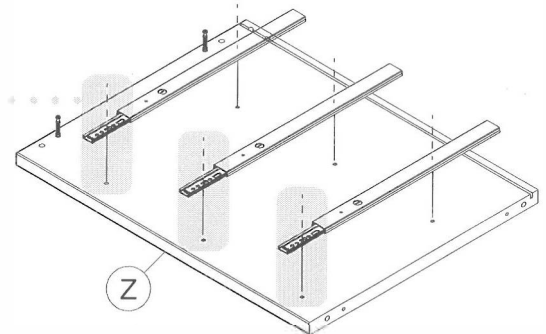
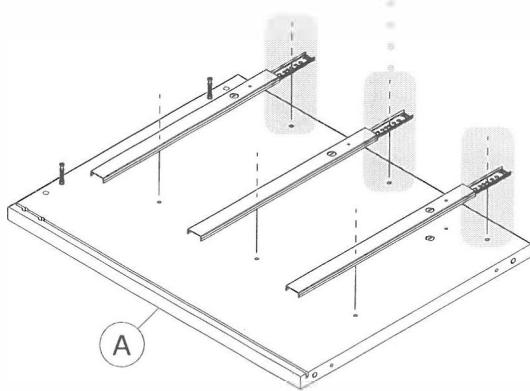
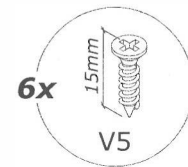
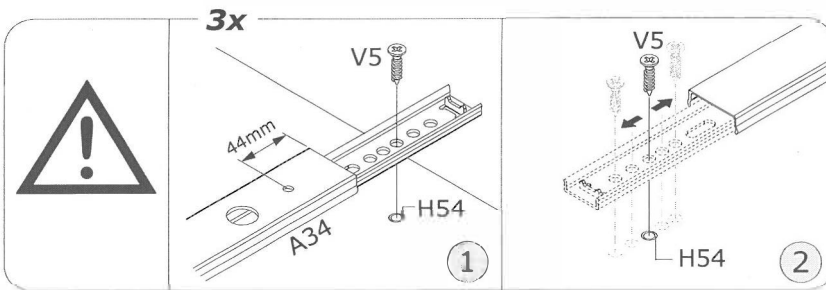
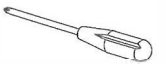
5



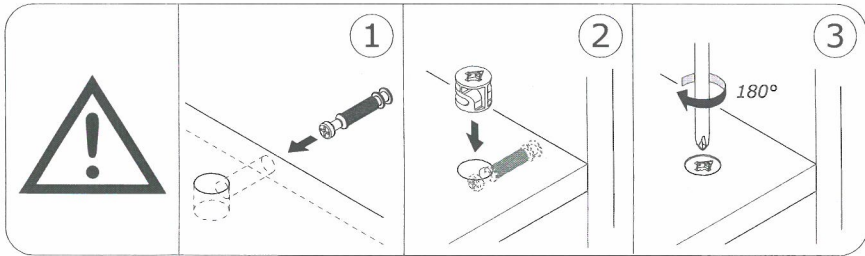
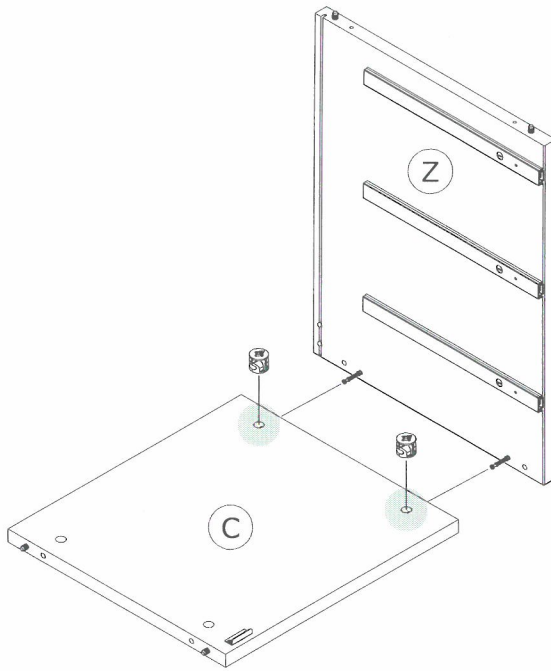
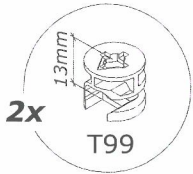
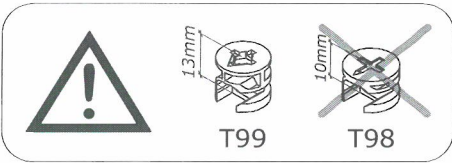
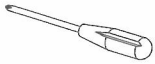
6



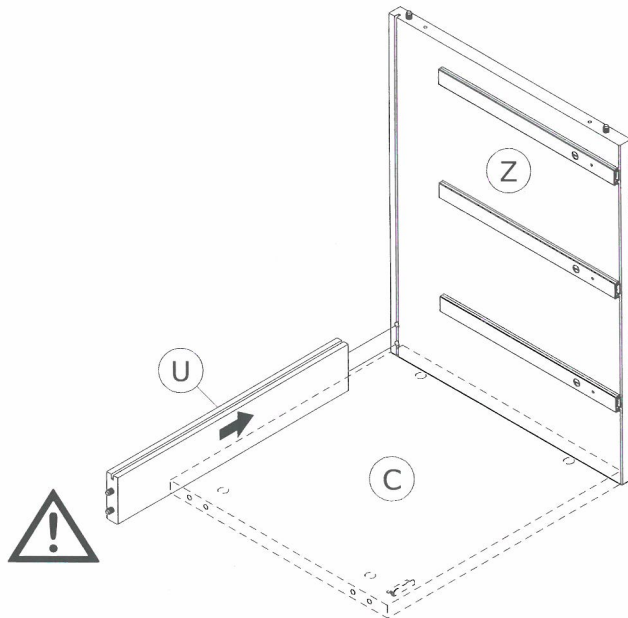
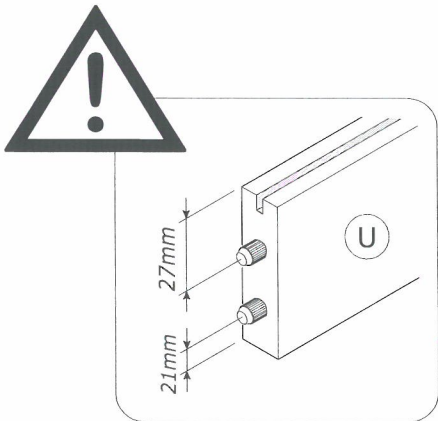
7



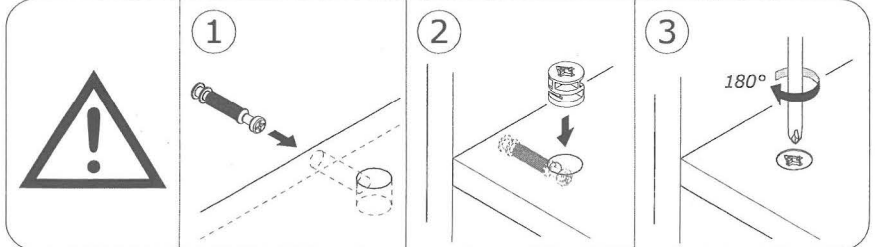
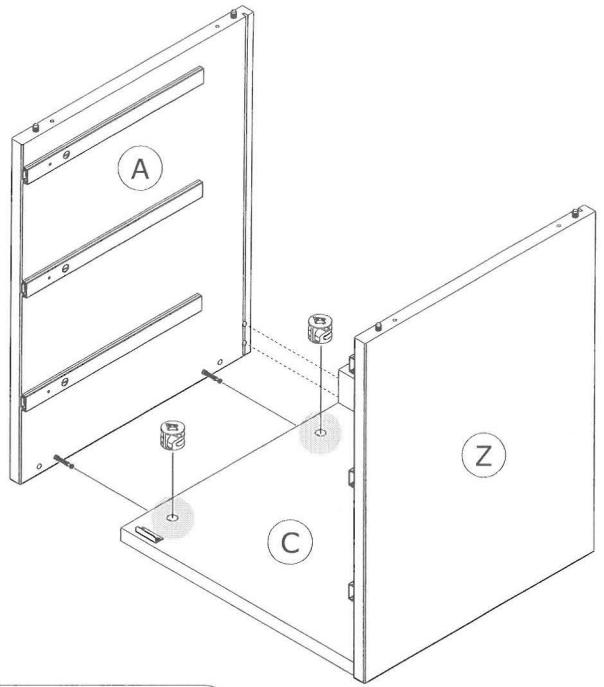
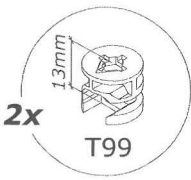
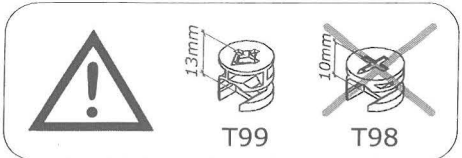
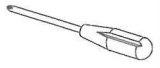
8



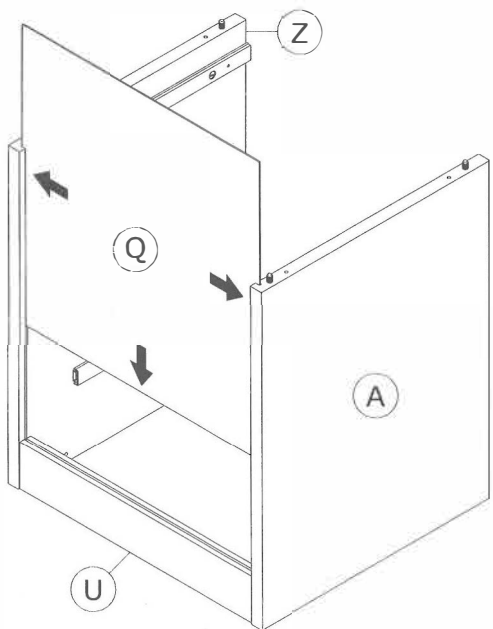
9



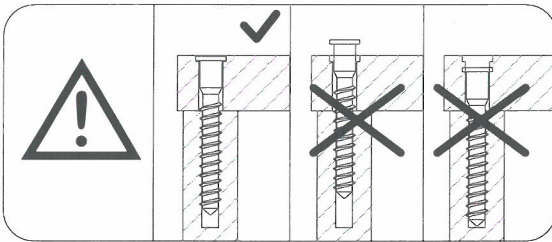
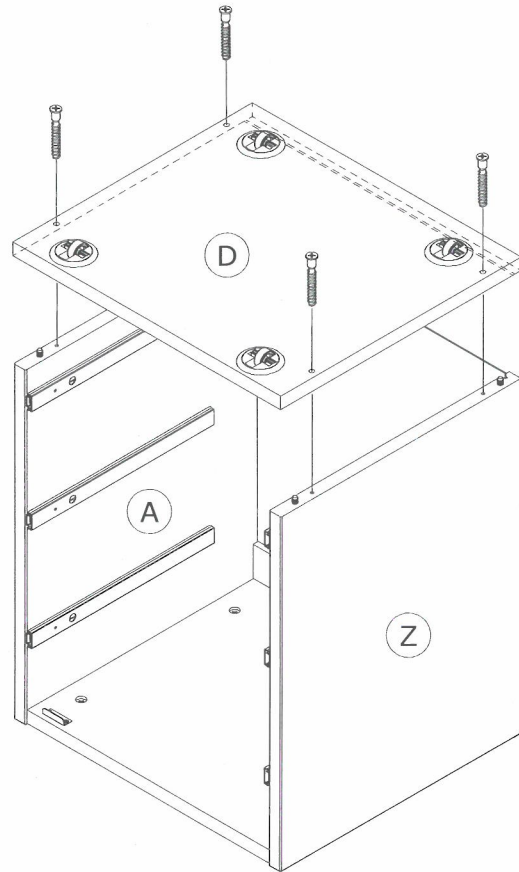
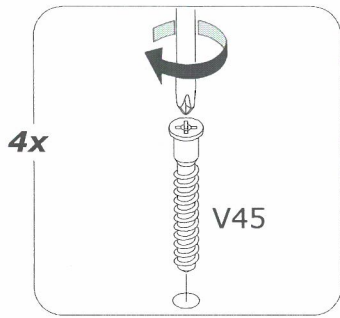
10



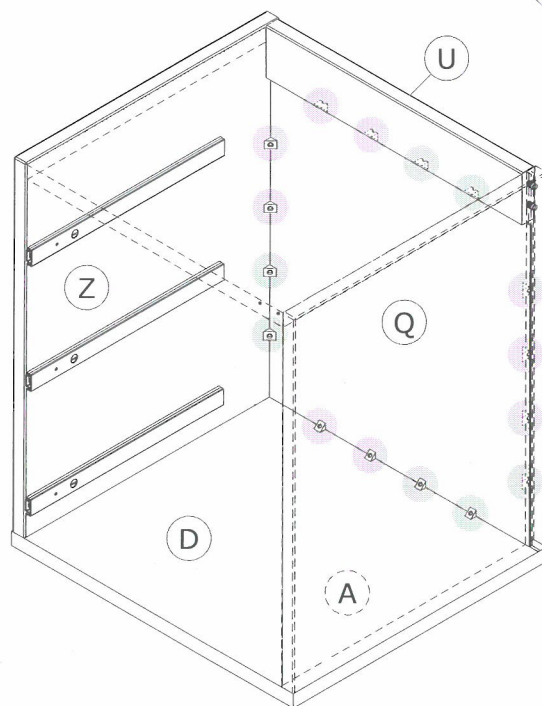
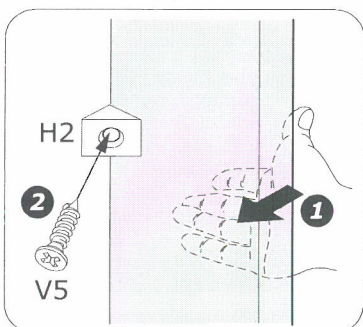
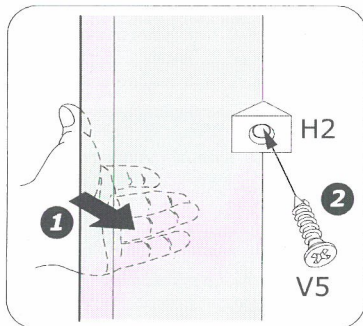
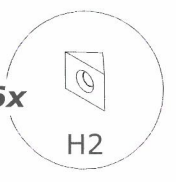
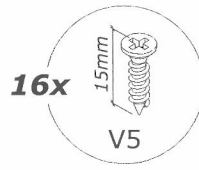
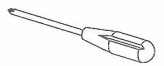
11



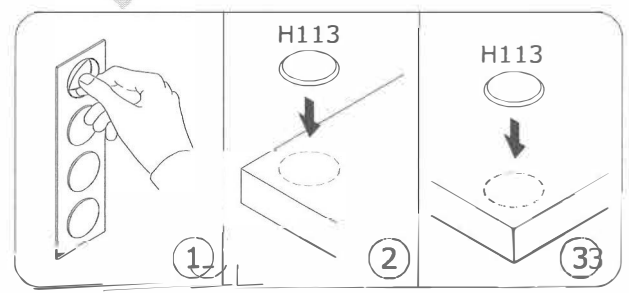
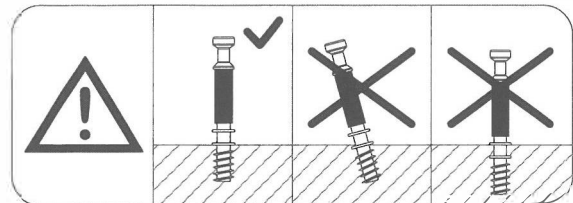
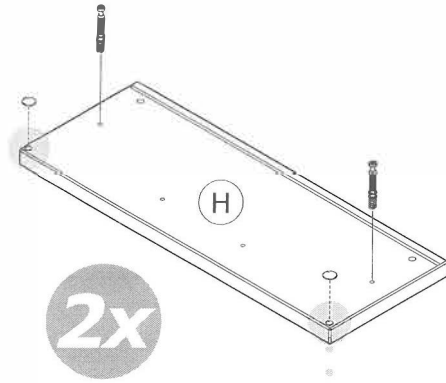
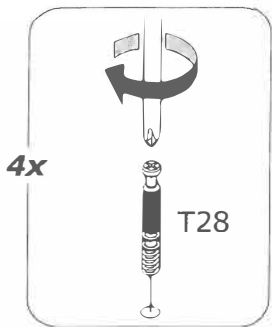
12



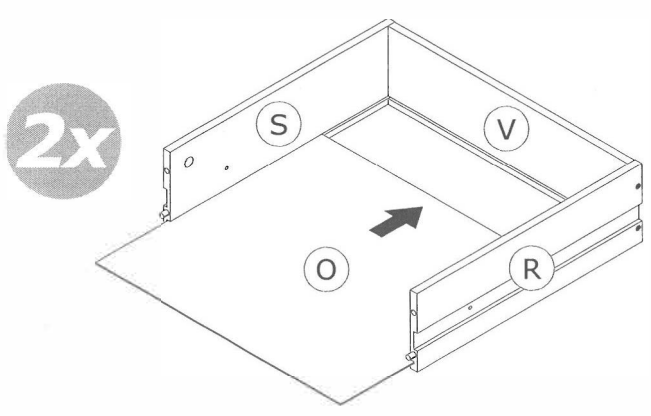
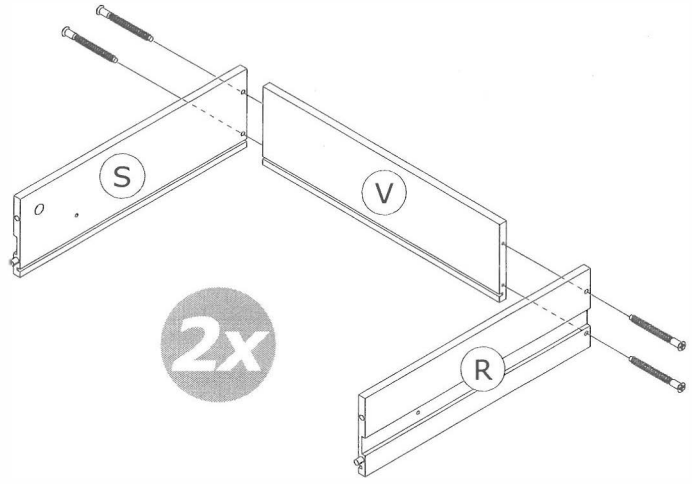
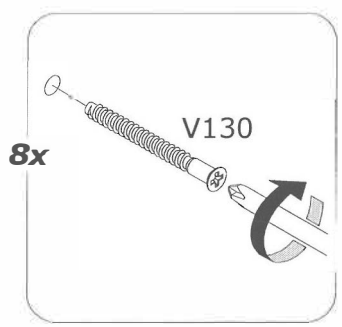
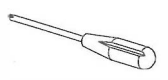
13

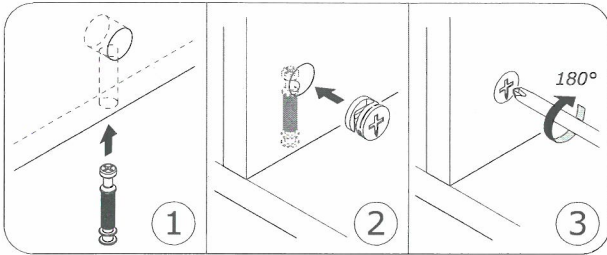
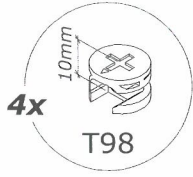
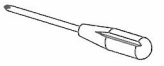


14

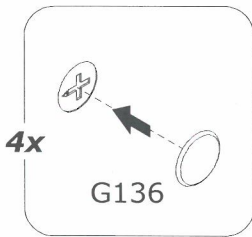
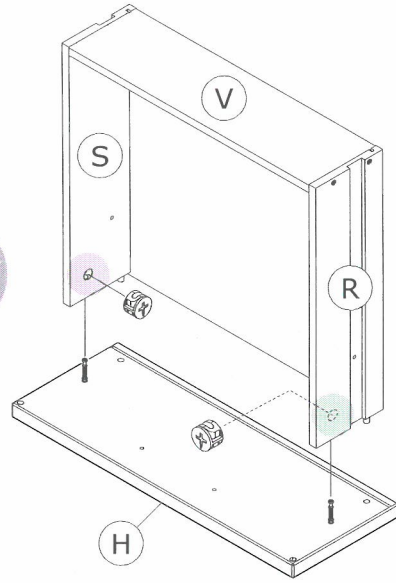


15

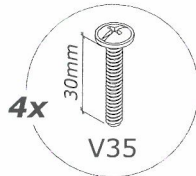
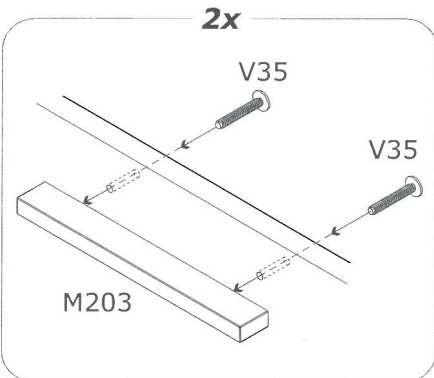
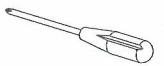
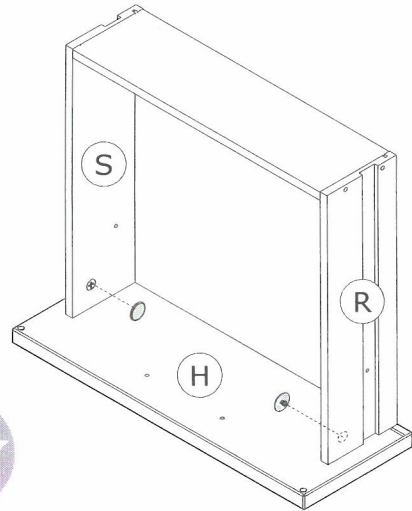




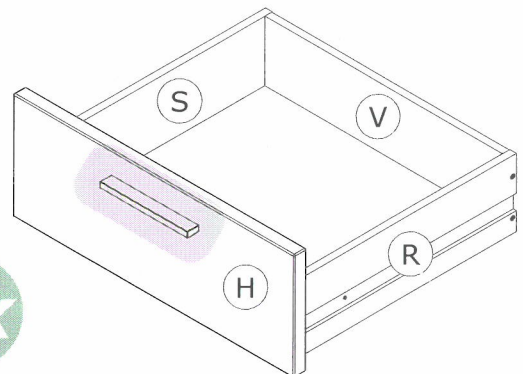
2x



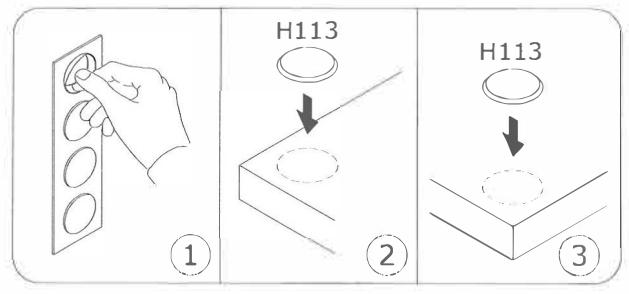
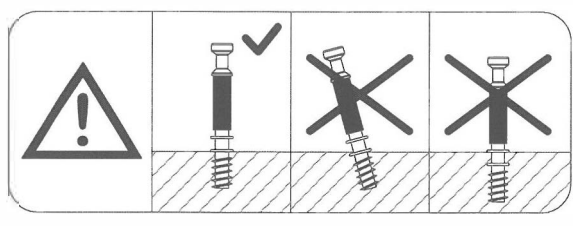
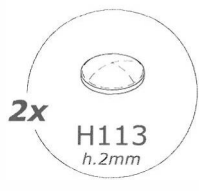
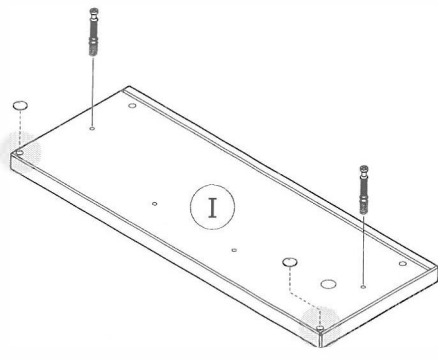
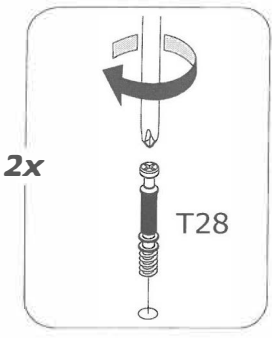
2x



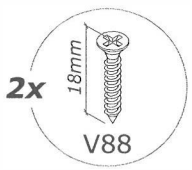
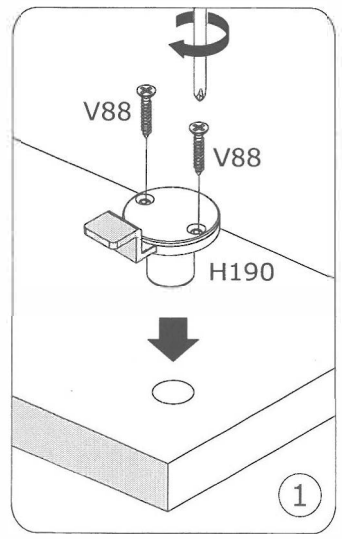
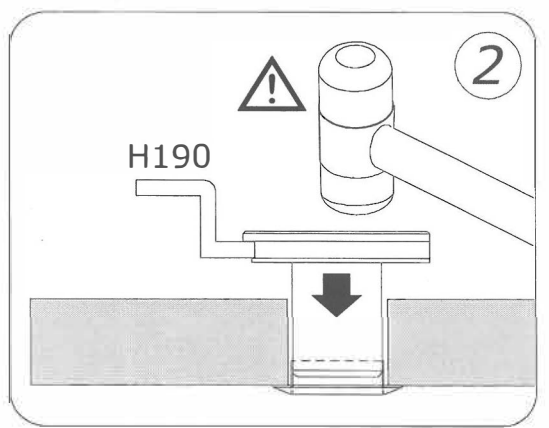
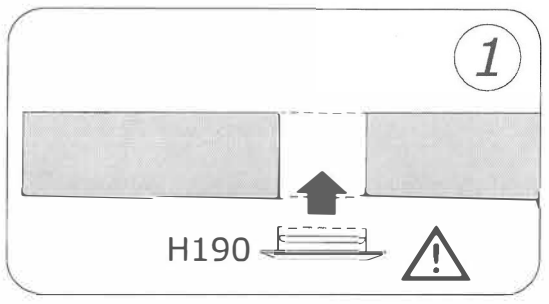
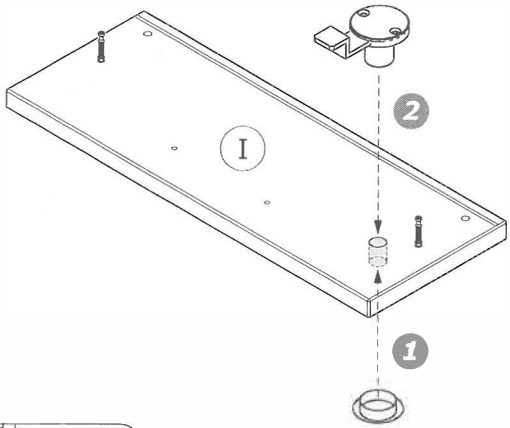
2x



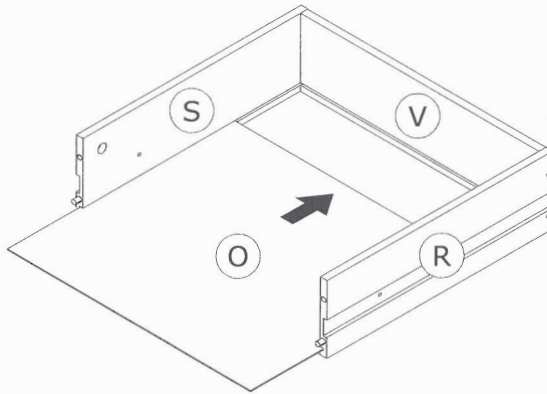
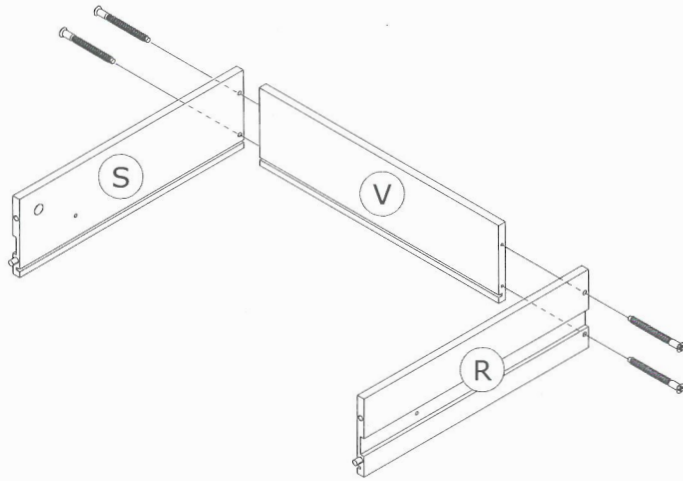
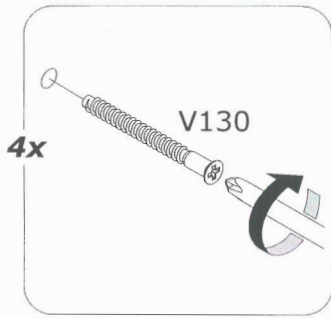
18



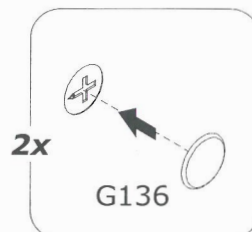
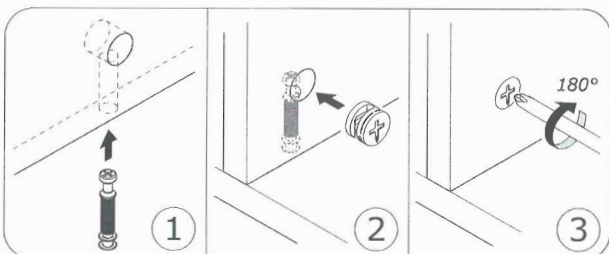
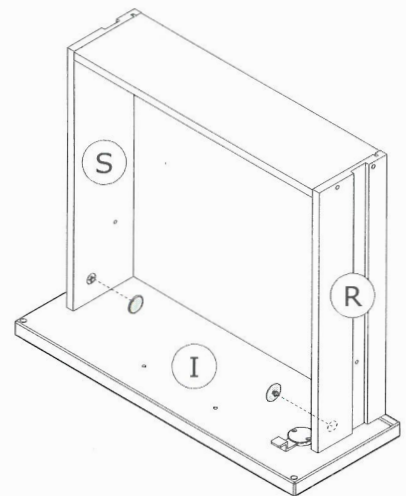
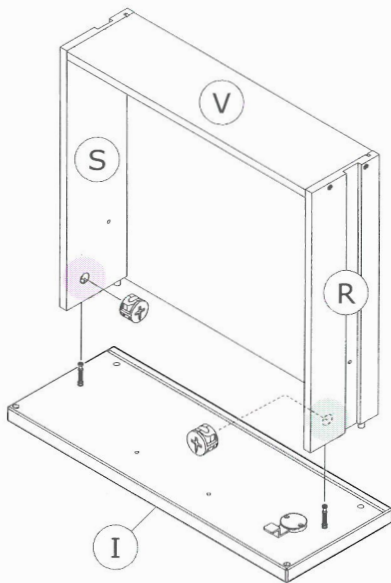
19



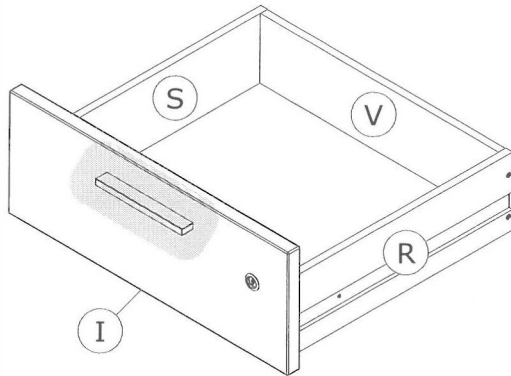
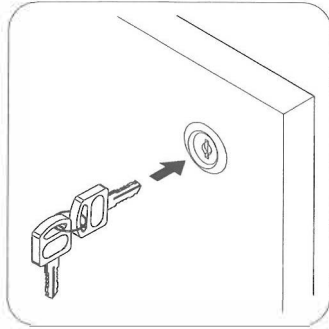
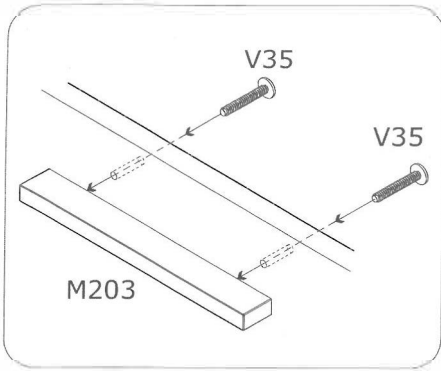
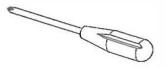
20



21



22



23

