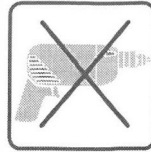
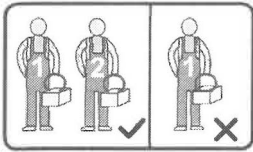
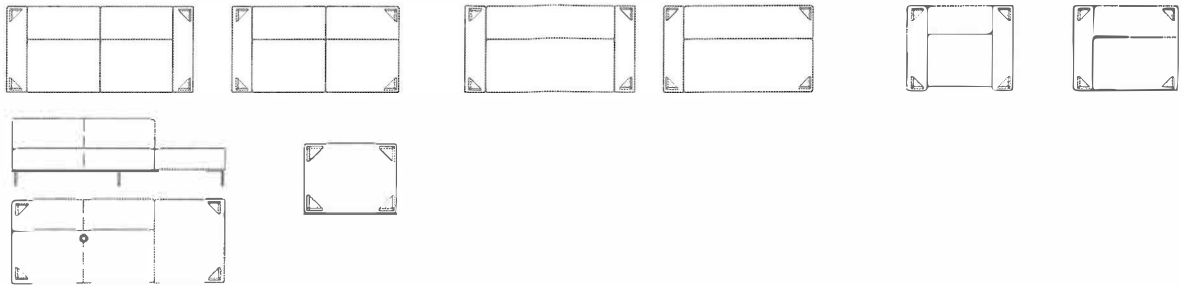


Instrukcja montażu
Assembling Instruction

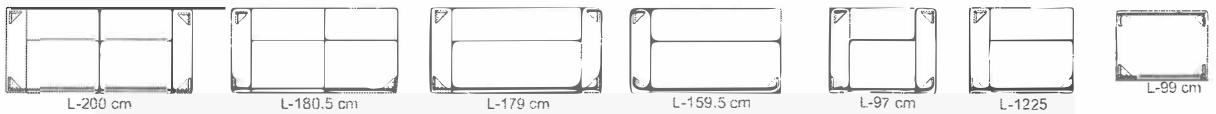
Montageanleitung
l'instruction de montage



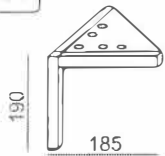
I
A1



II
A1 + B1



A1 No 146



M8x25

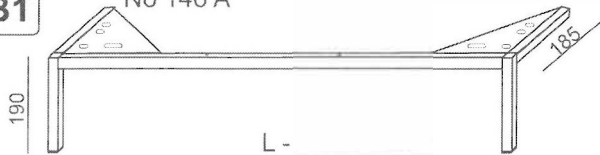
A x3



8,5x22

B x3

B1 No 146 A



M8x25

A x6



8,5x22

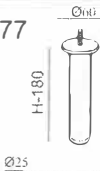
B x6



US 5x35

C

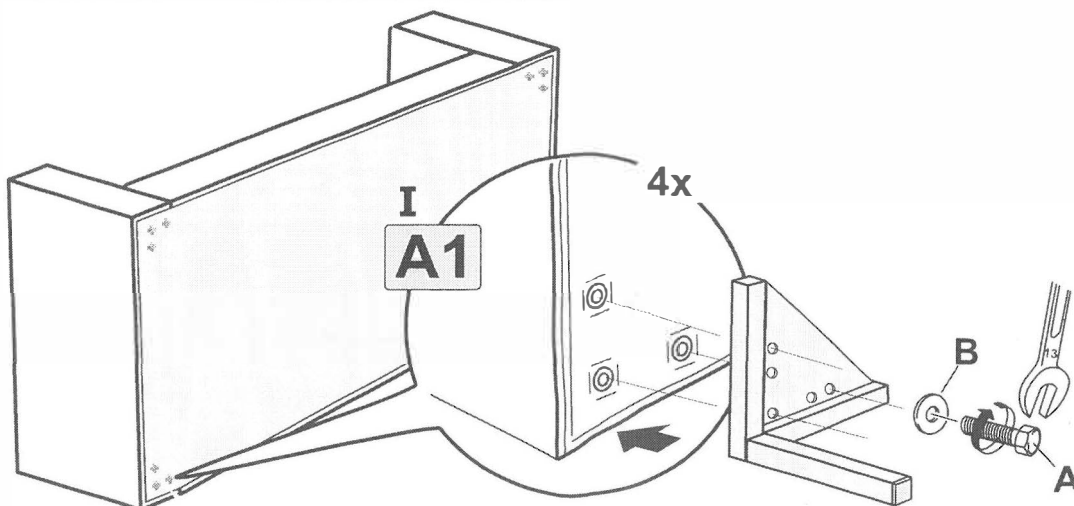
C1 No 177



Ø45x3

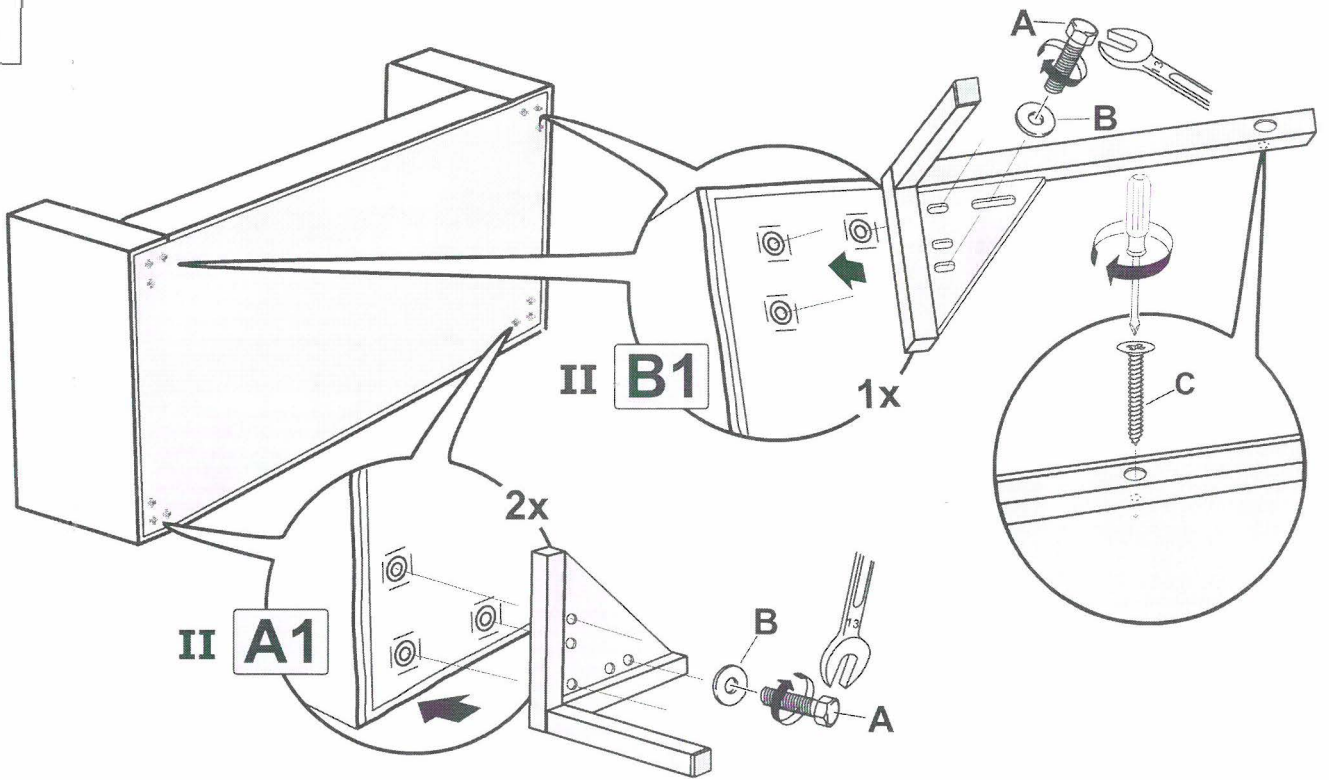
D x1

1



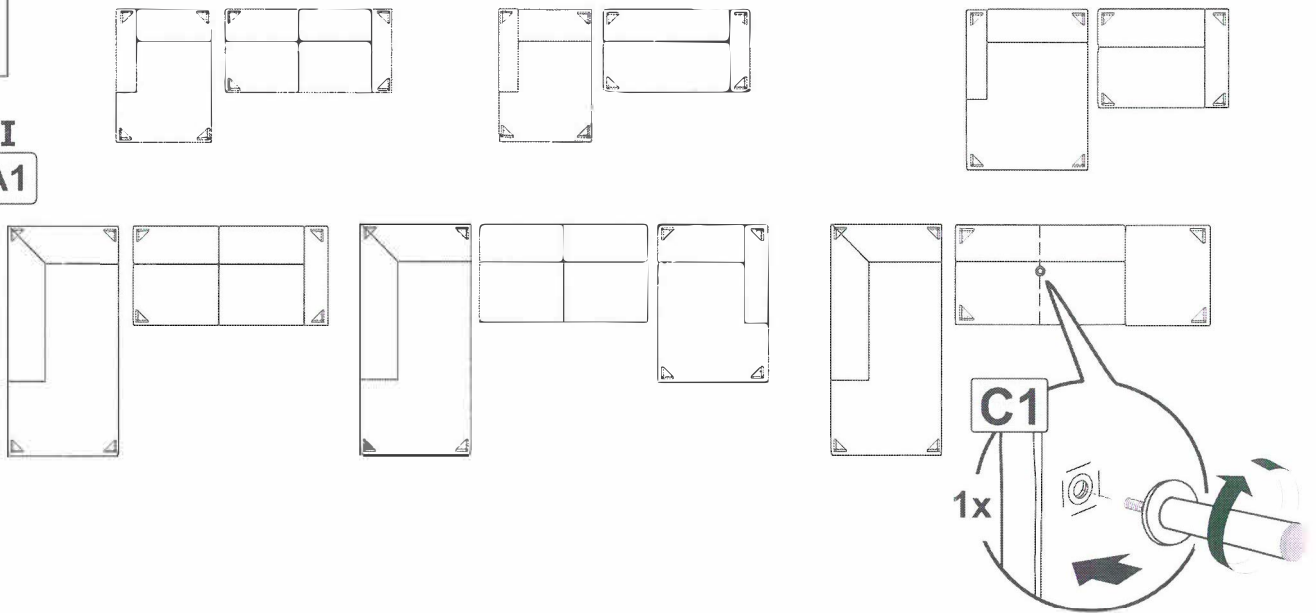
1

2



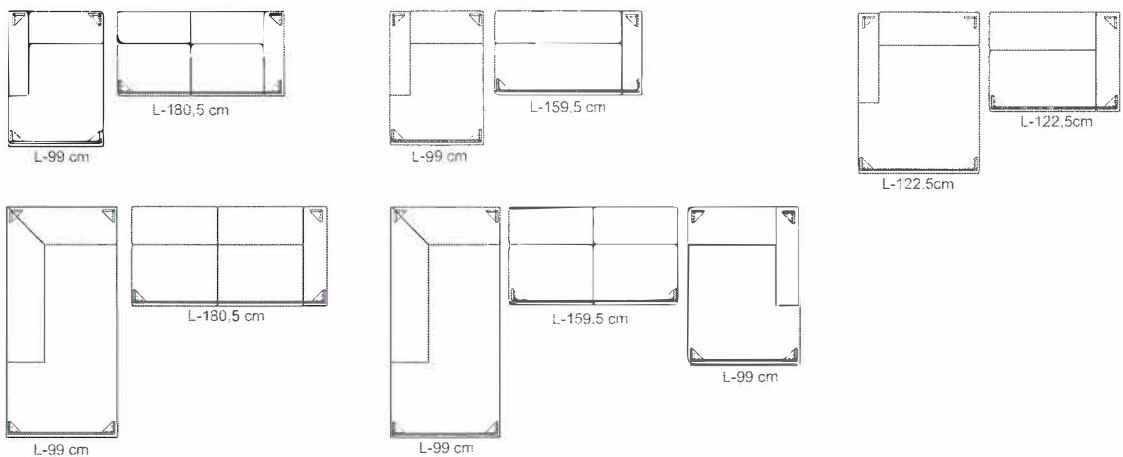
3

I
A1



II

A1 + B1



2

4

