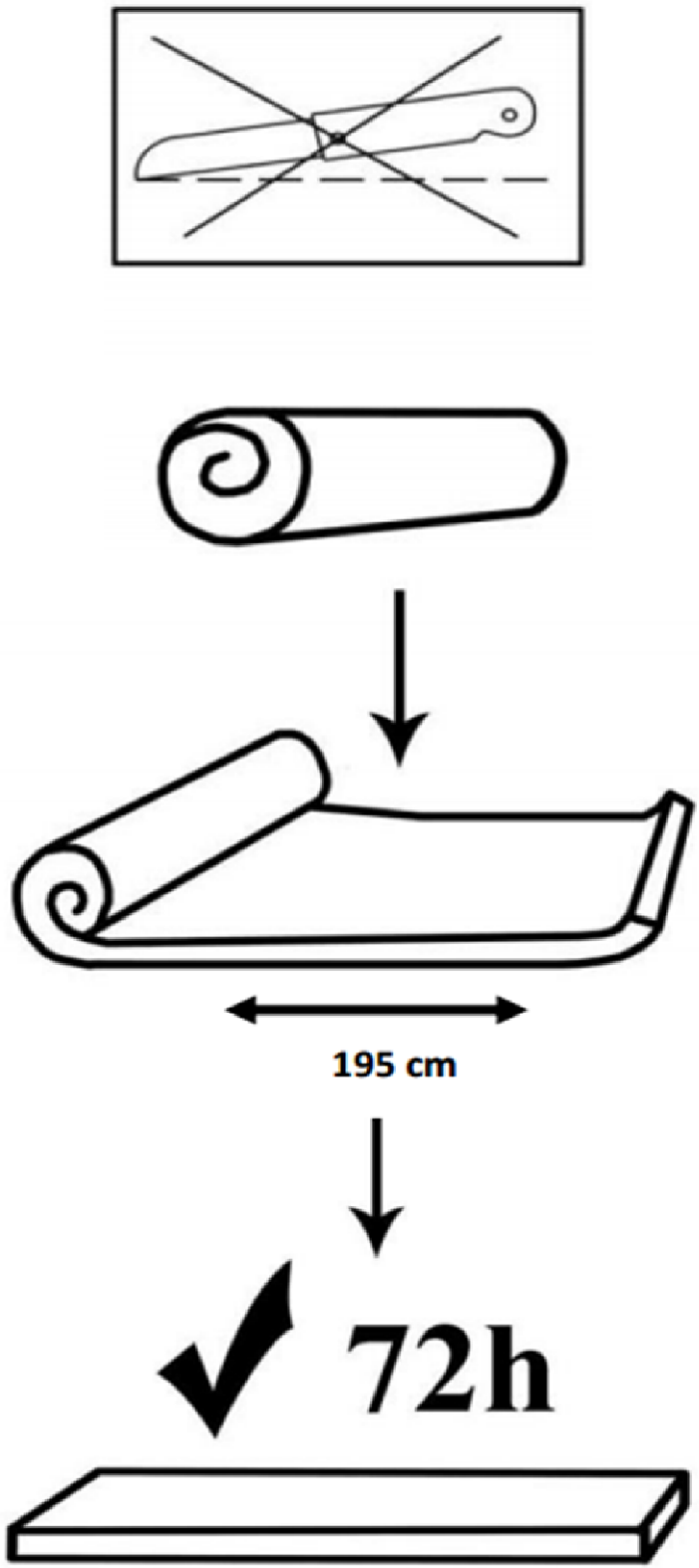
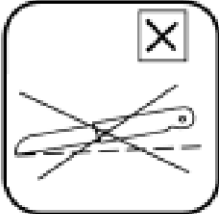
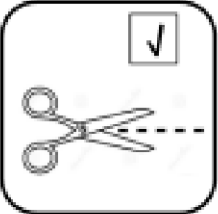

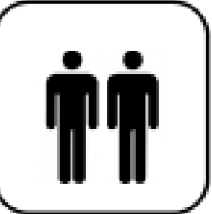
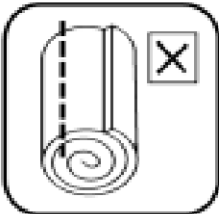
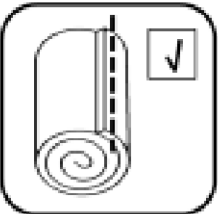
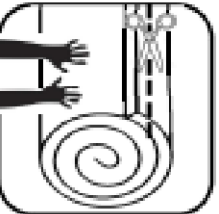
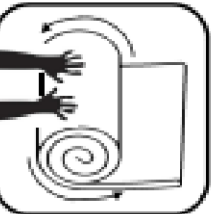


PAOLA





1



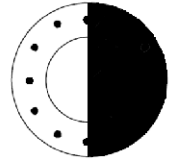
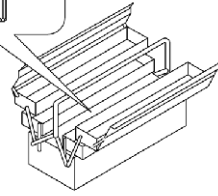
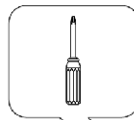
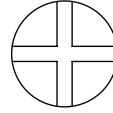
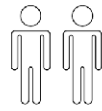
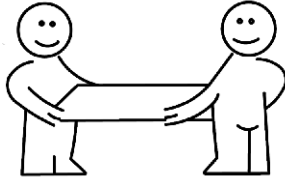
2



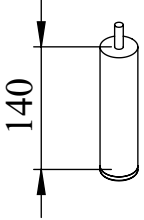
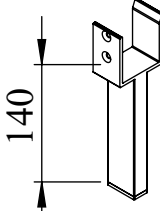


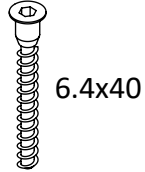
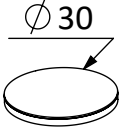
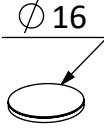
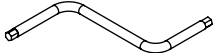
3

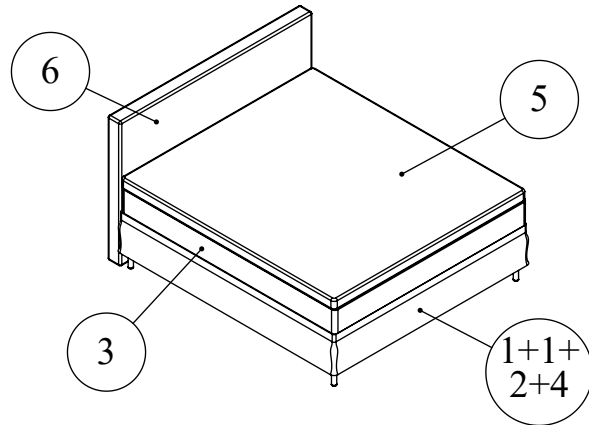


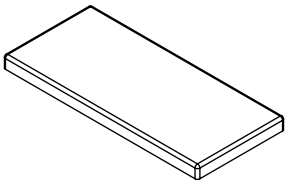
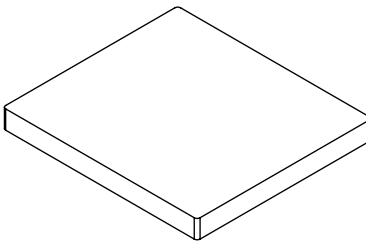
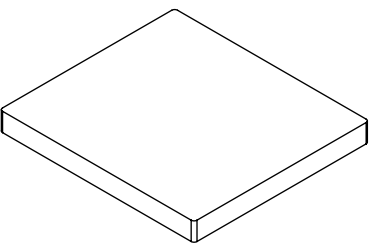
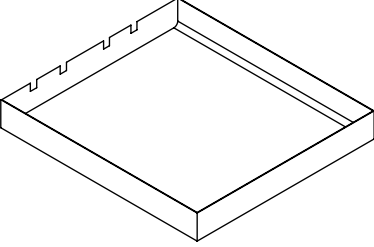
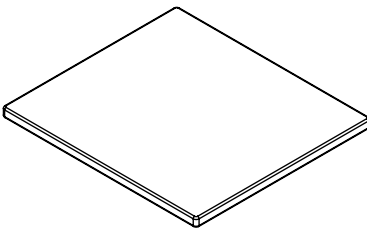
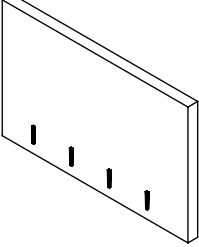
4

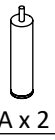


30 min

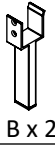
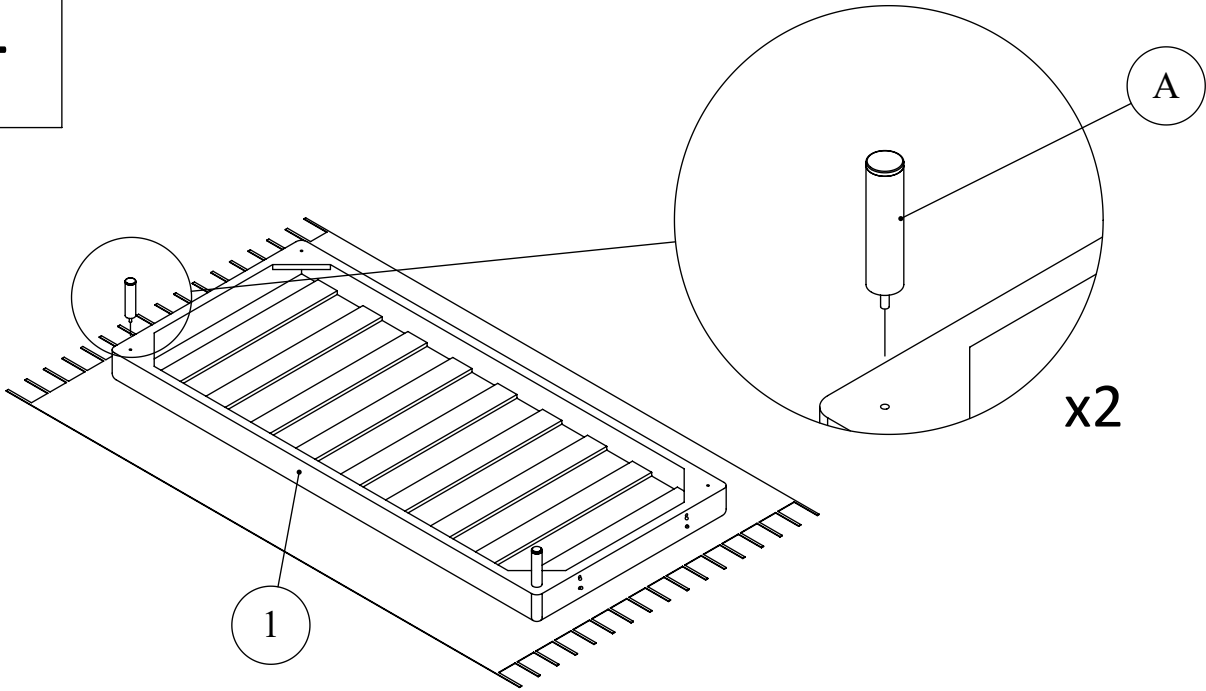
			
Ax4 (C1)	Bx2 (C1)	Cx6 (C1)	Dx4 (C1)
			
Ex8 (C1)	Fx4 (C1)	Gx2 (C1)	Hx1 (C1)



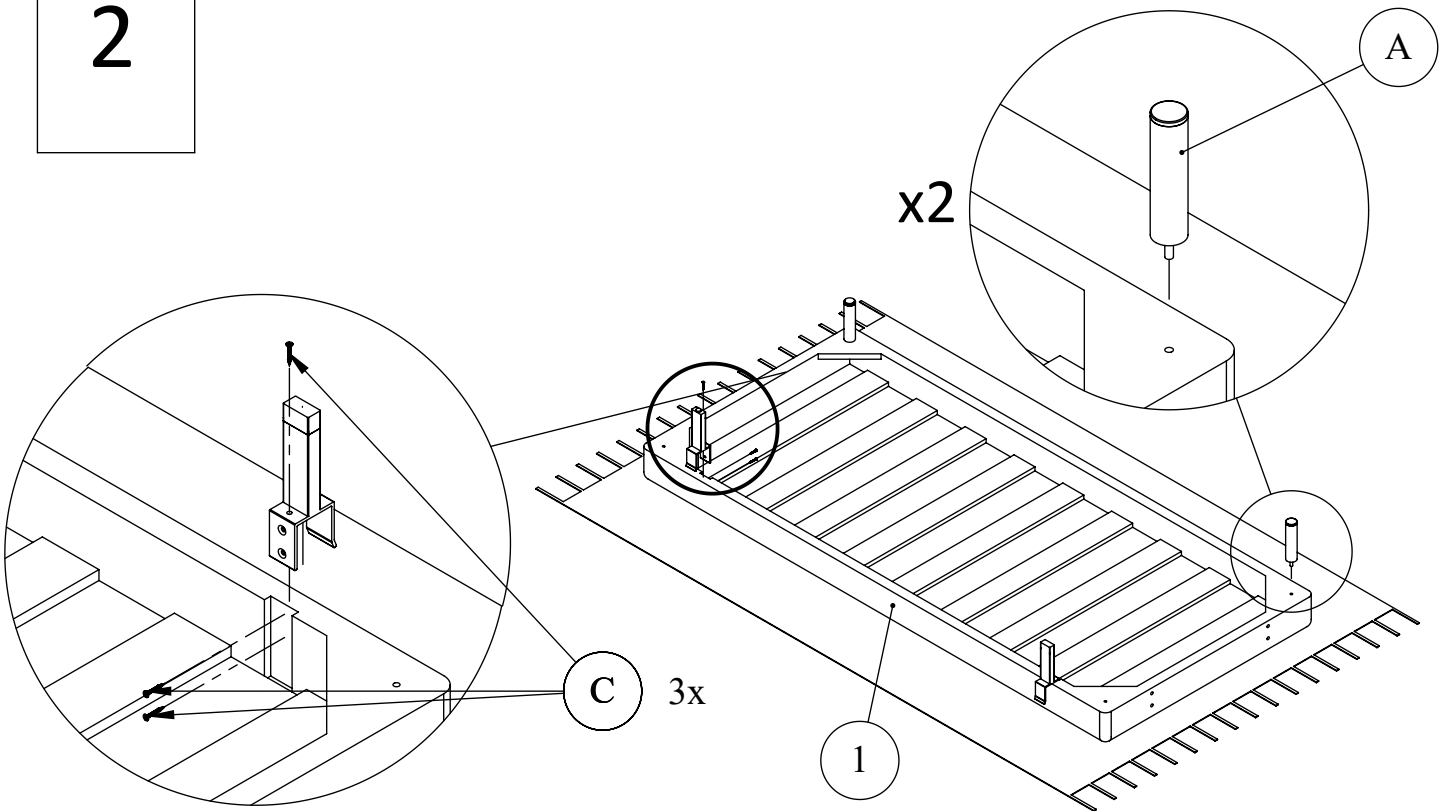
		
1 x 2 (C1)	2 x 1 (C2)	3 x 1 (C3)
		
4 x 1 (C2)	5 x 1 (C1)	6 x 1 (C4)



1



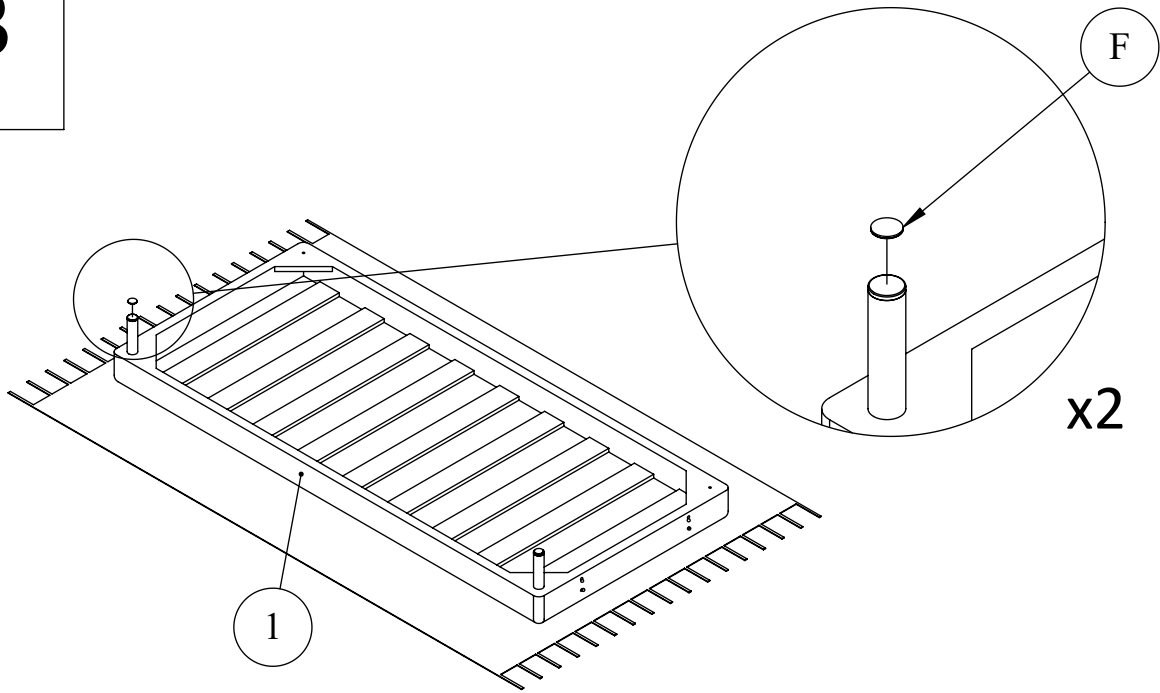
2



$\varnothing 30$

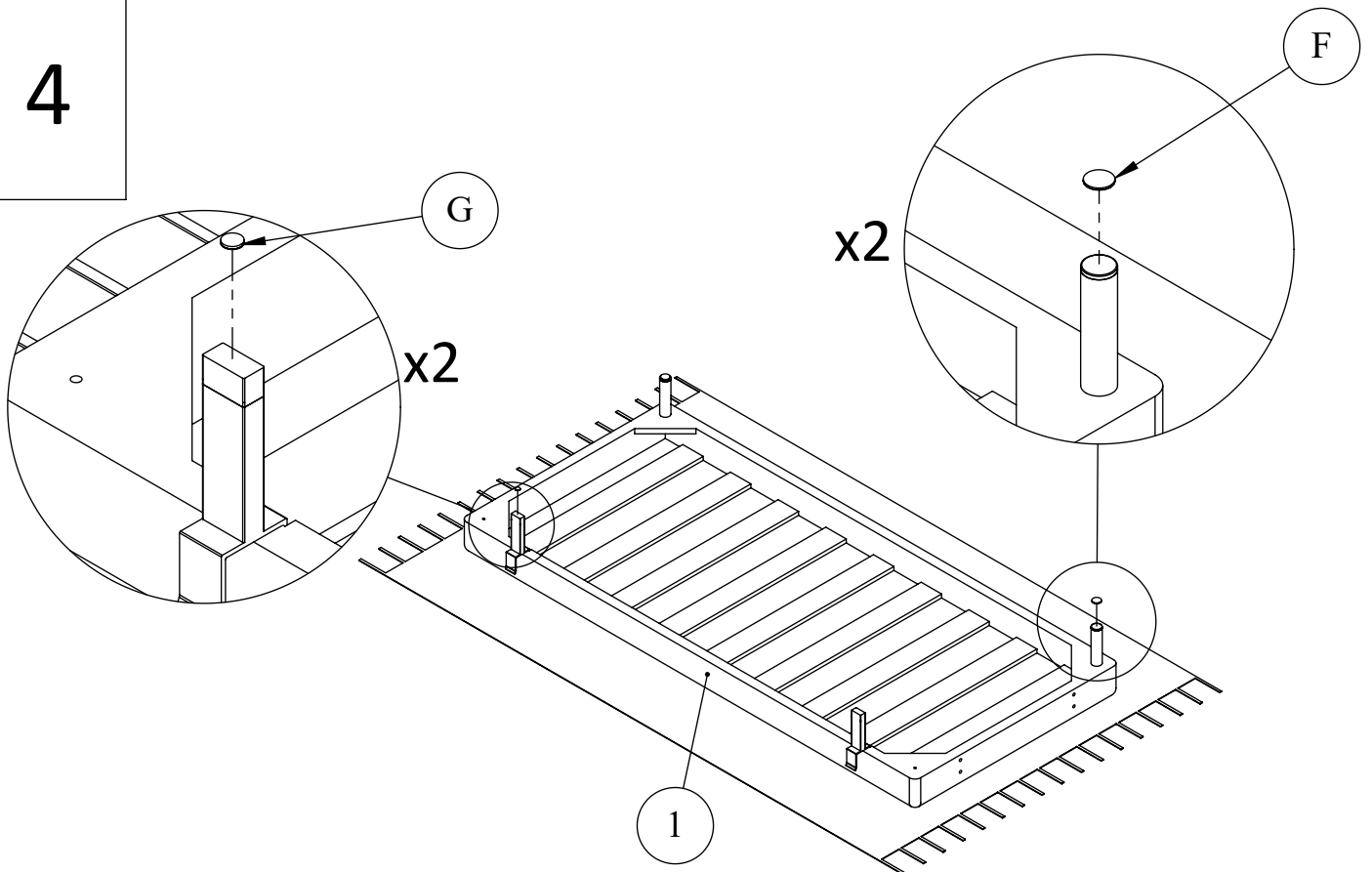
F x 2

3

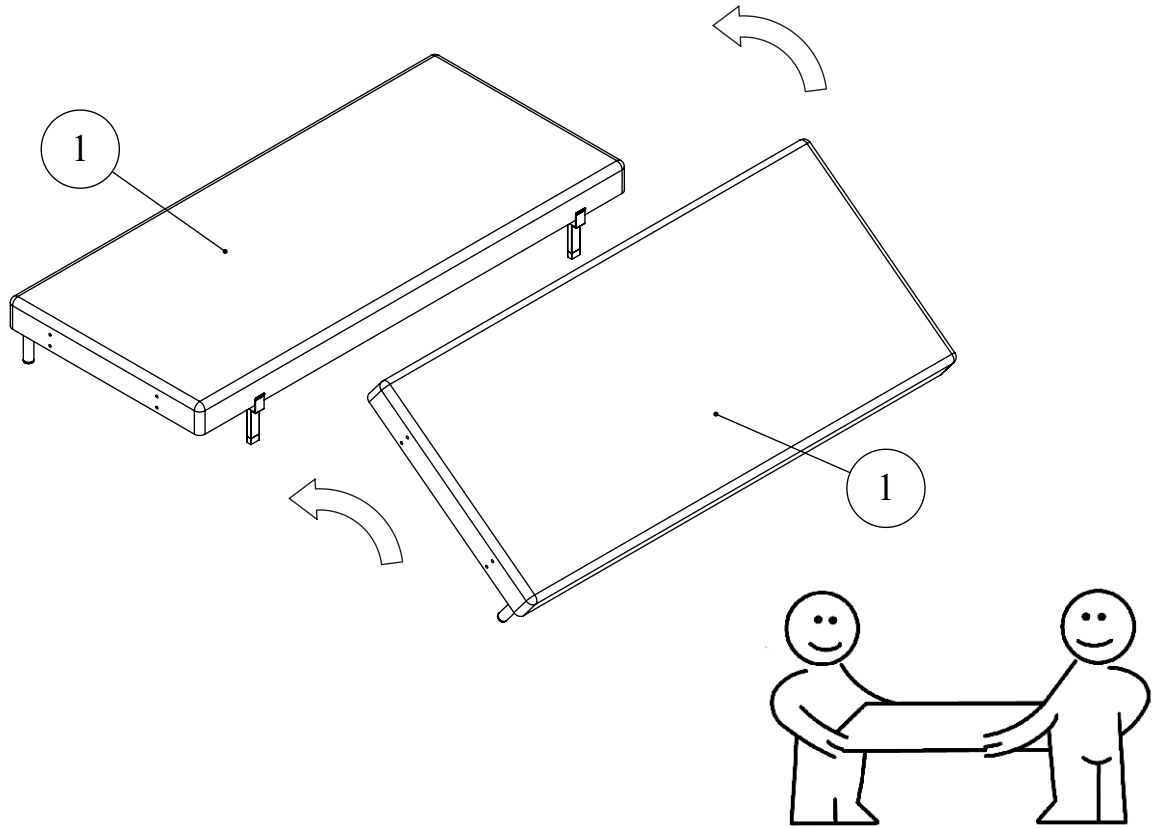


$\varnothing 30$ $\varnothing 16$
 
F x 2 G x 2

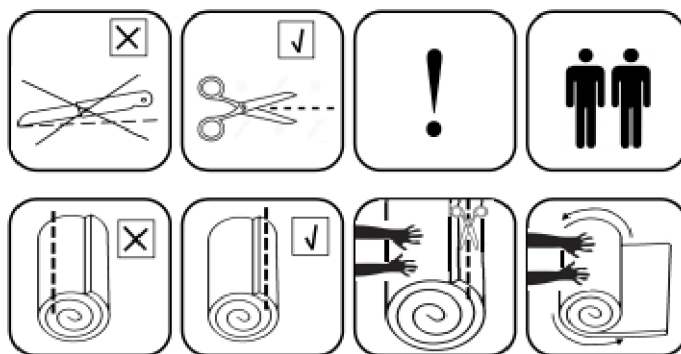
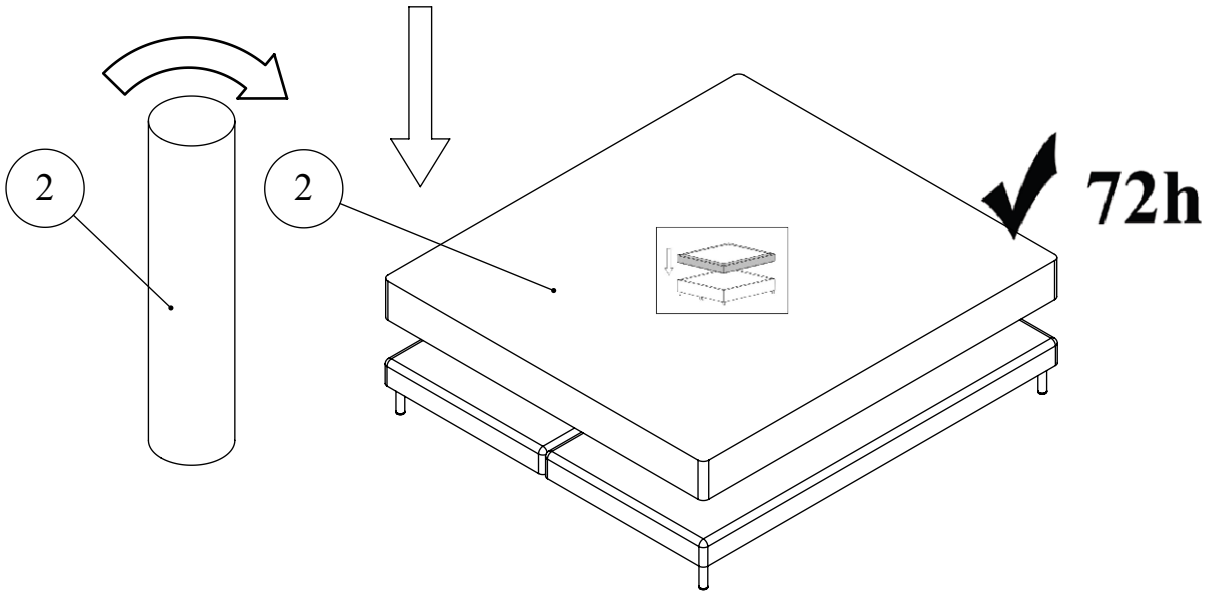
4



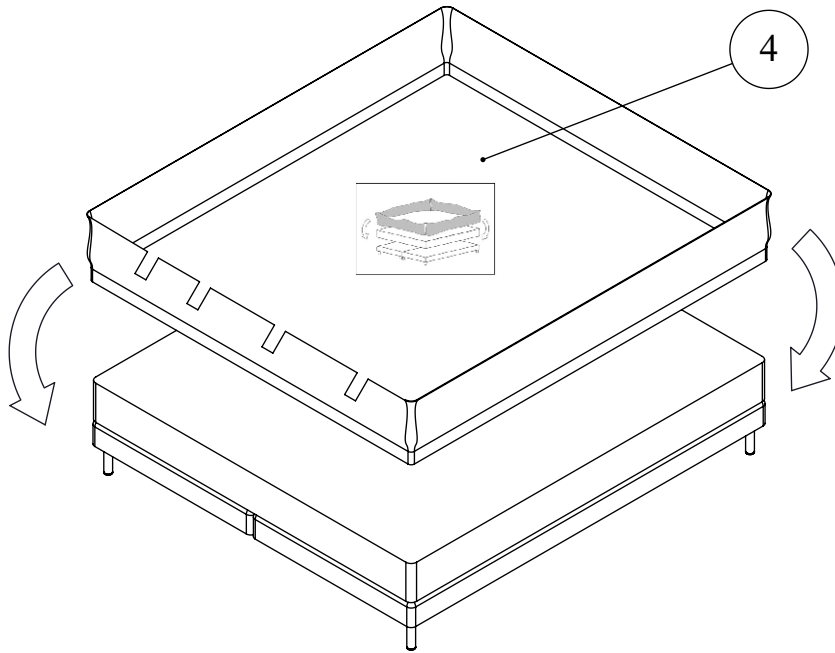
5



6



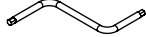
7



D x 4

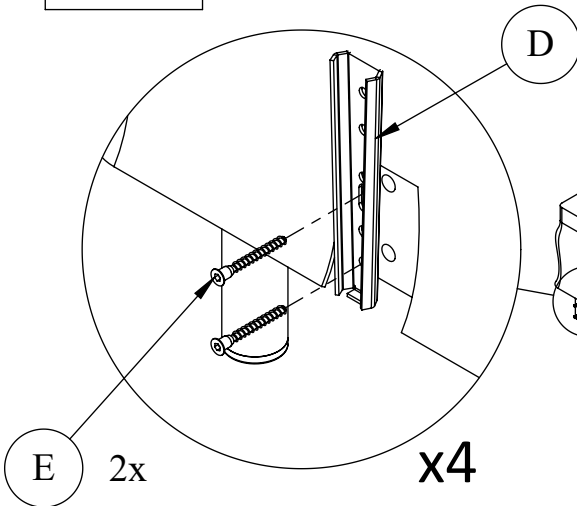
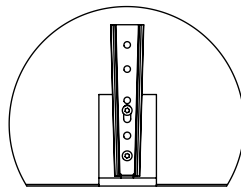


E x 8

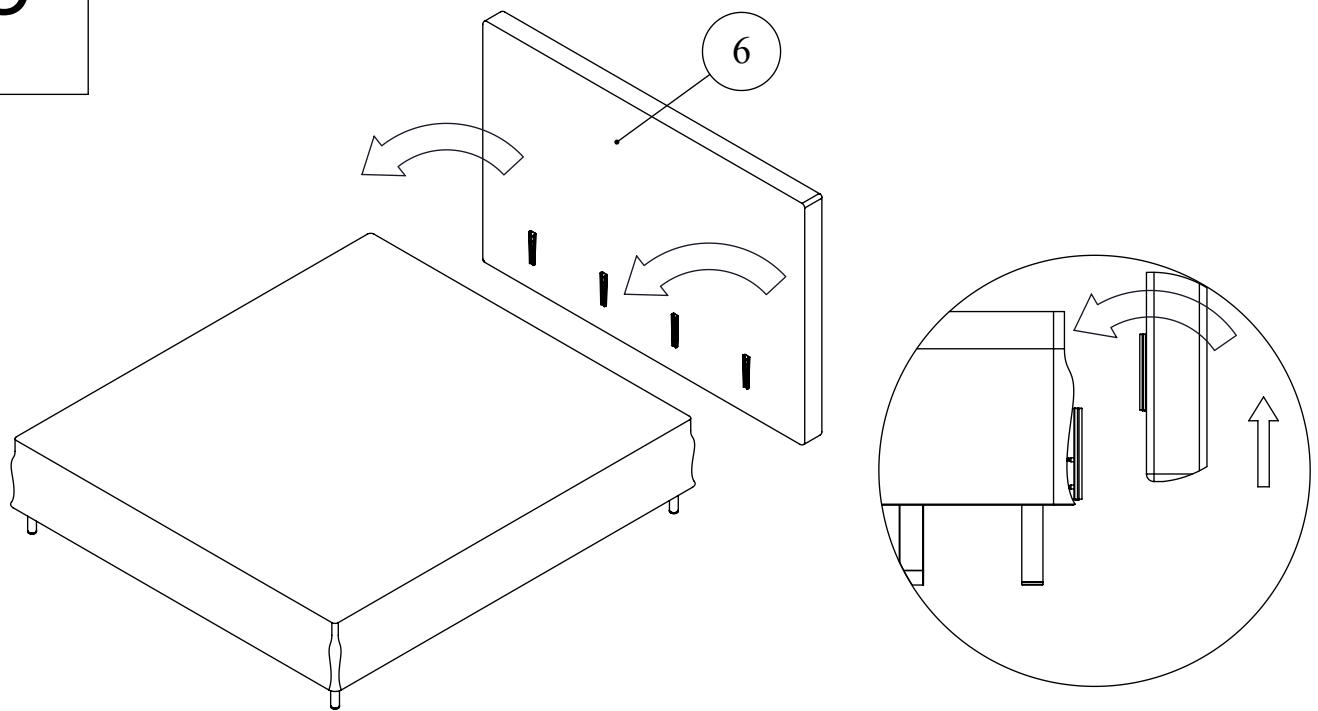


I x 1

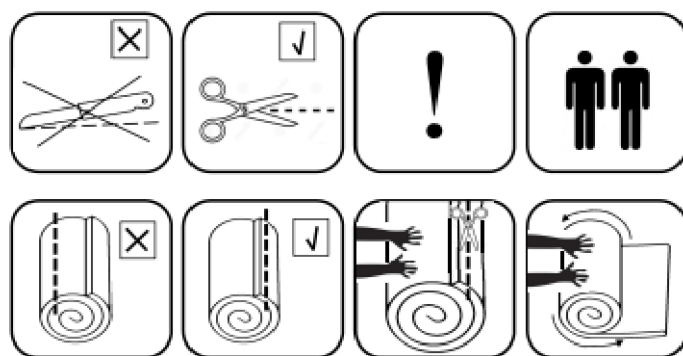
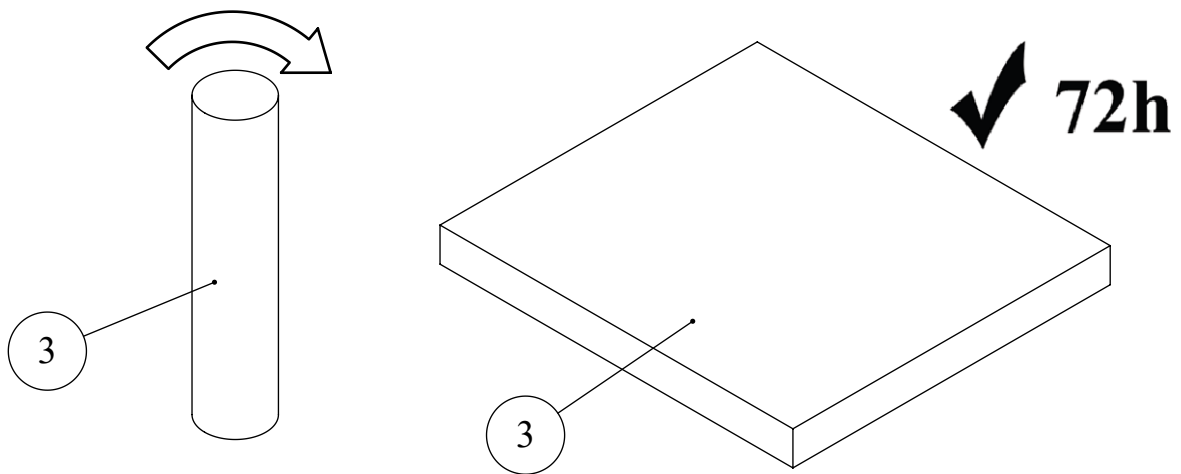
8



9



10



11

